

OPERATING INSTRUCTIONS & PARTS MANUAL



OSCILLATING FANS

12" (30,5 cm) MODEL 4DA35B/9102B

16" (40,6 cm) MODEL 4DA36B/9106B

READ AND SAVE THESE INSTRUCTIONS

READ CAREFULLY BEFORE ATTEMPTING TO ASSEMBLE, INSTALL, OPERATE OR MAINTAIN THE PRODUCT DESCRIBED. PROTECT YOURSELF AND OTHERS BY OBSERVING ALL SAFETY INFORMATION. FAILURE TO COMPLY WITH INSTRUCTIONS COULD RESULT IN PERSONAL INJURY AND/OR PROPERTY DAMAGE!

RETAIN INSTRUCTIONS FOR FUTURE REFERENCE.

DESCRIPTION

The Air King® 12" (30,5 cm) and 16" (40,6 cm) Oscillating Fans feature whisper quiet operation with a 3 paddle blade. Fan is powered by a pre-lubricated permanent split capacitor motor with a 6 ft. (1.8 m) 18/3 cord set. Fan grills meet OSHA requirements. ETL listed.

SPECIFICATIONS

Motor..... 120V, 60Hz (12")(30,5 cm)
120V, 60Hz (16")(40,6 cm)
Blade Size..... 12" (30,5 cm) Model(4DA35B/9102B)
16" (40,6 cm) Model(4DA36B/9106B)
Speeds..... 3 Speeds
Control Rotary Knob
Air Flow Distribution..... 90°

MODEL	4DA35B/9102B			4DA36B/9106B		
	SPEED	HIGH	MED	LOW	HIGH	MED
CFM	930	780	620	1710	1500	1330
M ³ /s	0.43	0.37	0.29	0.80	0.71	0.63
RPM	1450	1300	1090	1545	1394	1244
Amps	0.40	0.30	0.27	0.71	0.54	0.48
Watts	39	35	32	77	65	57
dB (A)	45	41	36	53	49	44

GENERAL SAFETY INFORMATION

When using electrical appliances, basic precautions should always be followed to reduce the risk of fire, electric shock and injury to person, including the following:

1. Read all instructions before using Fan.
 2. Make certain that the power source conforms to the electrical requirements of the Fan.
 3. Use this Fan only as described in this manual. Any other use not recommended by the manufacturer may cause fire, electrical shock, or injury to persons.
 4. Unplug power cord before installing, servicing, or moving the Fan.
- WARNING: DO NOT DEPEND UPON THE ON-OFF SWITCH AS THE SOLE MEANS OF DISCONNECTING POWER WHEN INSTALLING OR SERVICING THE FAN. ALWAYS UNPLUG THE POWER CORD.**
5. This Fan must NOT be used in potentially dangerous locations such as flammable, explosive, chemical-laden or wet atmospheres.
 6. DO NOT use Fan in or near a window. Rain may create an electrical hazard.
 7. The power cord is equipped with a three-prong grounded plug that must be inserted into a matching receptacle. Under no circumstances should the grounding prong be cut off the plug. Where a two-prong wall receptacle is encountered, it must be replaced with a properly grounded three-prong receptacle installed in accordance with the National Electrical Code (NEC) and all applicable local codes and ordinances. This work must be done only by a qualified electrician, using copper wire only.

WARNING: USE OF A THREE-PRONG TO TWO-PRONG ADAPTER IS NOT RECOMMENDED. IMPROPER CONNECTION MAY CREATE THE RISK OF ELECTROCUTION. USE OF SUCH ADAPTERS IS NOT PERMITTED IN CANADA.

WARNING: THIS PLUG IS A SAFETY FEATURE. TO REDUCE THE RISK OF FIRE, ELECTRIC SHOCK AND PERSONAL INJURY, DO NOT REMOVE, REPLACE, REPAIR OR TAMPER WITH THE ORIGINALLY SUPPLIED PLUG. IF THE FAN DOES NOT FUNCTION PROPERLY, IT MAY BE DUE TO THE SAFETY DEVICE INCORPORATED IN THIS PLUG.


8. Where possible, avoid the use of extension cords. If they must be used, minimize the risk of overheating by ensuring that they are UL listed. Never use a single extension cord to operate more than one Fan.
9. DO NOT operate any Fan with a damaged cord or plug or after the Fan malfunctions, has been dropped or damaged in any manner.
10. DO NOT insert or allow fingers or foreign objects to enter any ventilation or exhaust opening as it may cause an electric shock or fire, or damage the Fan. DO NOT block or tamper with the Fan in any manner while it is in operation.
11. Always place the Fan on a stable, flat, level surface when operating, to avoid the chance of the Fan overturning. Locate the Power Cord so the Fan or other objects are not resting on it. DO NOT run Power Cord under carpeting. DO NOT cover Power Cord with throw rugs, runners, or the like. Arrange Power Cord away from room traffic and where it will not be tripped over.
12. This Fan is NOT intended for use in wet or damp locations. Never locate a Fan where it may fall into a bathtub or other water container.
13. DO NOT use Fan outdoors.
14. This Fan is NOT suitable for use in agricultural facilities including areas where livestock, poultry or other animals are confined. Please refer to National Electric Code (NEC) Article 547-7 (2008), or applicable state or local codes or standards relating to electrical requirements for Agricultural Buildings. THIS FAN DOES NOT MEET THE REQUIREMENTS OF NEC ARTICLE 547-7 (2008).
15. This Fan is NOT suitable for use in hazardous locations. Please refer to National Electric Code (NEC) Article 500 or applicable state or local codes or standards relating to electrical requirements for Hazardous locations. THIS FAN DOES NOT MEET THE REQUIREMENTS OF NEC ARTICLE 500 (2008).

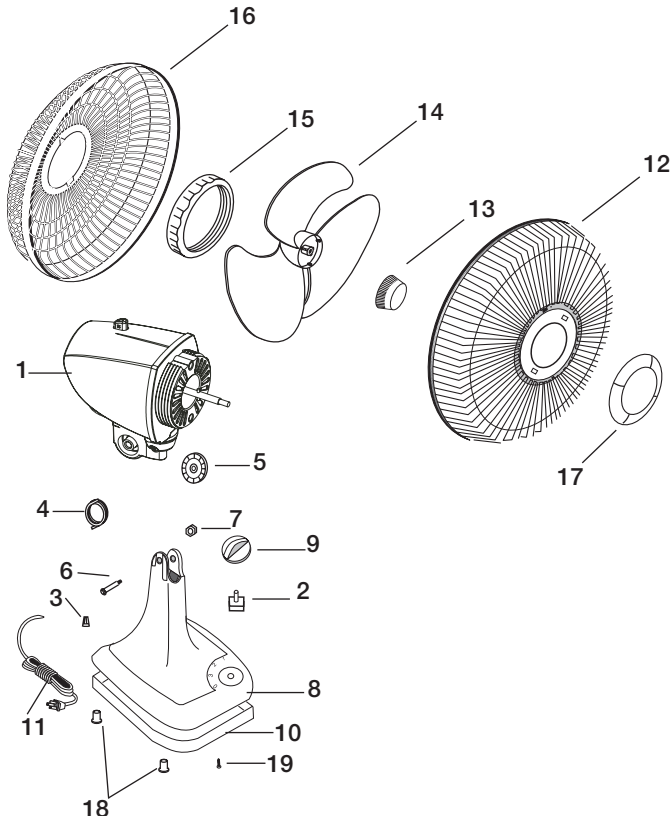
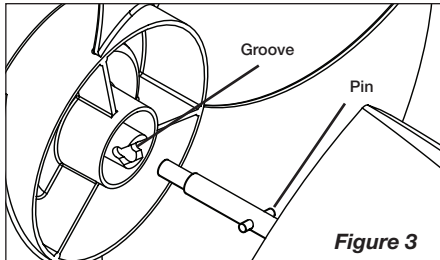
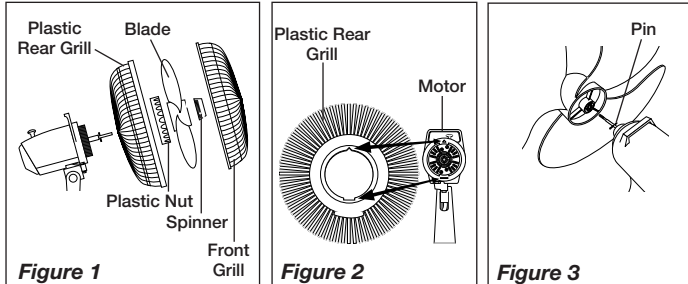
WARNING: REDUCE THE RISK OF FIRE OR ELECTRIC SHOCK – DO NOT USE THIS FAN WITH ANY SOLID STATE SPEED CONTROL DEVICES.

SAVE THESE INSTRUCTIONS

4DA35B/9102B and 4DA36B/9106B

ASSEMBLY

1. Tilt Fan Head back. Put Plastic Rear Grill on Motor. (Figure 1)
2. Align Triangular "Δ" cut in Plastic Rear Grill with triangular post on top of front Motor cover. Fully seat Plastic Rear Grill and secure with Plastic Nut turning Clockwise. (Figure 2)
3. Slide Blade onto Motor Shaft. (Align groove on blade hub with pin on motor shaft.) (Figure 3)
4. To secure Blade, screw Spinner onto Shaft Counter Clockwise until tight on blade hub. 
5. With fan head in upright position, align Ornament of Front Grill so it is horizontal. Insert bottom of Front Grill into Plastic Rear Grill. Tab at the bottom of Plastic Rear Grill should fit between spokes of Front Grill. Snap Front Grill into Plastic Rear Grill beginning at the top and working down both sides.



OPERATION

VARIABLE OSCILLATION: Pull oscillation knob on the rear of the motor up. Turn fan head to left, right, or straight ahead. Push oscillation knob down and fan will oscillate about the set angle.

VERTICAL ANGLE: To adjust vertical angle, tilt fan head up or down, as desired.

SPEED: Speed is controlled by a rotary knob. (0) Off, (3) High, (2) Medium, (1) Low.

POWER SUPPLY CORD: Plug power supply cord into a wall outlet (AC 120Volts, 60 Hz).

MAINTENANCE

WARNING: ALWAYS UNPLUG THE CORD BEFORE MOVING OR SERVICING THE FAN.

WARNING: DO NOT IMMERSE FAN IN WATER!

CLEANING: Use a soft cloth moistened with a mild soap solution, such as liquid dish washing detergent. Dry ALL PARTS COMPLETELY before reassembling. After any maintenance or servicing, completely reassemble unit as described in this instruction manual before reconnecting to the power supply.

CAUTION: Do not use gasoline, benzine, thinner, harsh cleaners, etc. as they will damage the Fan. NEVER use ALCOHOL OR SOLVENTS.

LUBRICATION: Precision bearings are sealed at the factory for life and will not require any further lubrication.

STORAGE: Store the Fan, with these instructions, in a cool, dry place.

SERVICING: All other servicing, with the exception of general user-maintenance, should be performed by an authorized service representative.

REPLACEMENT PART LIST

REF NO.	DESCRIPTION	PART NO. FOR MODEL		Qty
		4DA35B/9102B	4DA36B/9106B	
1	Motor	02035053	02035052	1
2	Rotary Switch	02055087	02055087	1
3	Crimp Connect	7091854	7091854	1
4	Elevation Spring	-	02090586	1
5	Ratchet Plate	02010162B	02010162B	1
6	Neck Bolt	02090521	02090521	1
7	5/16-24 Hex Nut	02090033	02090033	1
8	Stand	2010540P	2010541	1
9	Switch Knob	2010131	2010131	1
10	Bottom Plate	2010313	2010315	1
11	Power Supply Cord w/Plug	02050009FPB	02050009FPB	1
12	Front Grill	02096217	020962141	1
13	Spinner	2010093	2010093	1
14	Fan Blade	2010008	2011013	1
15	Plastic Nut	2010359P	2010359P	1
16	Plastic Rear Grill	2011212	2011200M	1
17	Grill Ornament	02010381A	02010381A	1
18	Rubber Foot	2010415	2010415	2
19	Screw #8 X 9/16 PPH	2090039	2090039	1

Free Manuals Download Website

<http://myh66.com>

<http://usermanuals.us>

<http://www.somanuals.com>

<http://www.4manuals.cc>

<http://www.manual-lib.com>

<http://www.404manual.com>

<http://www.luxmanual.com>

<http://aubethermostatmanual.com>

Golf course search by state

<http://golfingnear.com>

Email search by domain

<http://emailbydomain.com>

Auto manuals search

<http://auto.somanuals.com>

TV manuals search

<http://tv.somanuals.com>