

AirCast

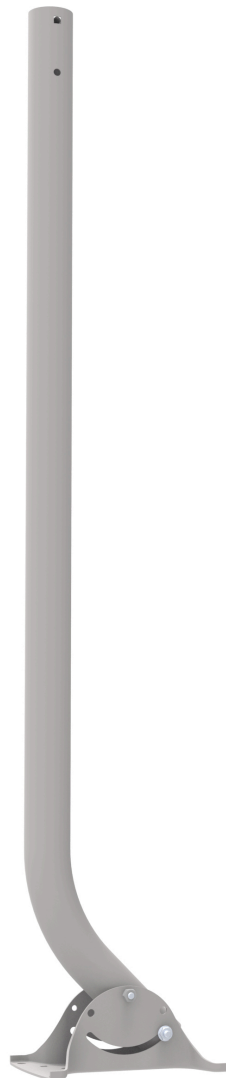
TV ANTENNAS

The better choice for a clear TV picture.



J-MOUNT ANTENNA MAST ASSEMBLY & INSTALLATION

UNIVERSAL J-MOUNT MAST – MODEL JMOUNT038



AirCast® TV Antenna J-Mount Mast **Model# JMOUNT038**

For customer service, please call (888) 324-3052 or visit AirCastAntennas.com/support

2018 AirCast® TV Antennas. AirCast® TV Antennas is a registered trademark. Specifications subject to change. All rights reserved.



WATCH FOR WIRES!

WARNING: INSTALLATION OF THIS PRODUCT NEAR POWERLINES IS DANGEROUS. FOR YOUR SAFETY, FOLLOW THE INSTALLATION DIRECTIONS AND PROCEDURES BELOW.

IN THE EVENT OF AN EMERGENCY OR INJURY, CALL 911

Safety Guidelines and Procedures

Listed below are extremely important safety guidelines that are to be followed when installing your antenna. Failure to follow these guidelines can result in death or serious injury.

1. Perform as much antenna assembly on the ground as possible.
2. Watch out for overhead power lines. Check the distance to the power lines before you start installing. **WE RECOMMEND YOU STAY A MINIMUM OF TWICE THE MAXIMUM LENGTH OF THE ANTENNA ASSEMBLY AWAY FROM ALL POWER LINES.**
3. Remember, even the slightest touch of an antenna to a power line can cause a fatal shock.
4. Do not use a metal ladder.
5. Inspect the ladder you plan on using to ensure it is in safe operable condition.
6. Do not position your ladder at an angle steeper than 70°.
7. Do not climb onto a slick, icy, or wet roof.
8. Do not climb on roofs that have curled or worn shingles. (Old shingles break easily or pull out.)
9. Wear season-appropriate attire that is neither too loose or too tight. Always wear rubber-soled shoes with good grip.
10. Wear a pair of durable gloves that also allow normal mobility of your hands.
11. Avoid installations in high areas on windy days
12. Look around your work area to observe for any potential dangers.
13. Have a friend as a spotter when you're on the roof. They can see things you can't.
14. Never climb onto a high location while alone.
15. Avoid installing your antenna underneath tree branches or other overhanging objects.
16. If you start to drop an antenna, move away from it and let it fall.
17. If any part of the antenna should come into contact with a power line **CALL YOUR LOCAL POWER COMPANY! DO NOT TRY TO REMOVE IT YOURSELF!** They will remove it safely.
18. Mast, lead-in, and metal guy wires are excellent conductors of electrical current - - keep them away from power lines too.
19. Be sure your family and friends understand the danger of touching an overhead power line. Tell them never to try to remove any object in contact with a power line (TV antenna, mast or anything else).
20. Make sure that the antenna mast assembly is properly grounded.

For more information, visit www.aircastantennas.com/support.

Please read this user's manual before operating this product. The information contained in this document is subject to change without notice. Features or specifications may be different depending on the type of product model purchased.

Installation Tips

A. USEFUL INSTALLATION TOOLS: A) Large and small blade screwdrivers B) Adjustable Wrench C) Pliers

B. WHERE TO MOUNT YOUR J-MOUNT MAST

Your mast can be mounted on the roof, eve, slanted fascia, chimney, outside wall or in an attic. Choose the method that best suits your location.

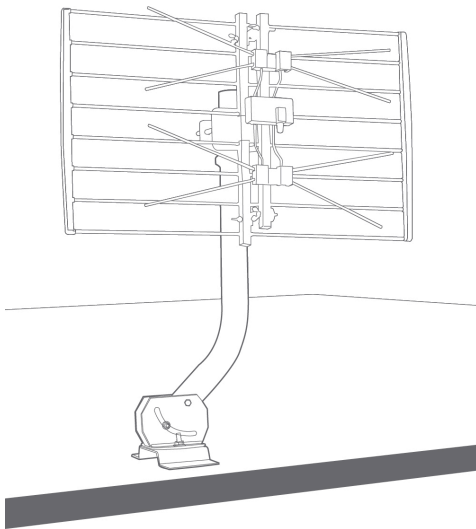
C. LIGHTNING PROTECTION

The mast should be grounded for lightning protection. Run a #8 (or larger), aluminum or copper wire from a bolt on the mast or its base, down to a 8' ground rod or other approved grounding point. Keep the line at a respectable distance from your transmission wire.

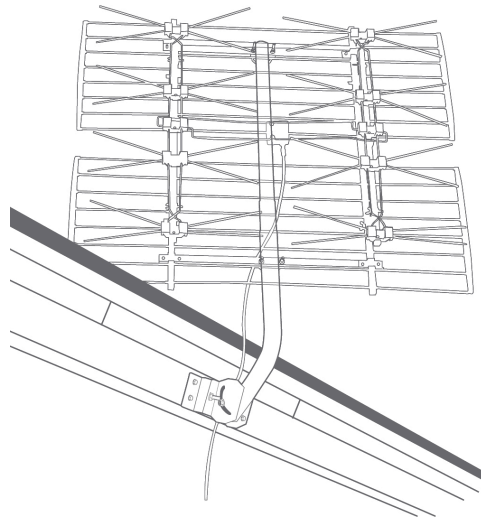
Installation Locations

We recommend installing your antenna using this universal J-Mount in the following locations:

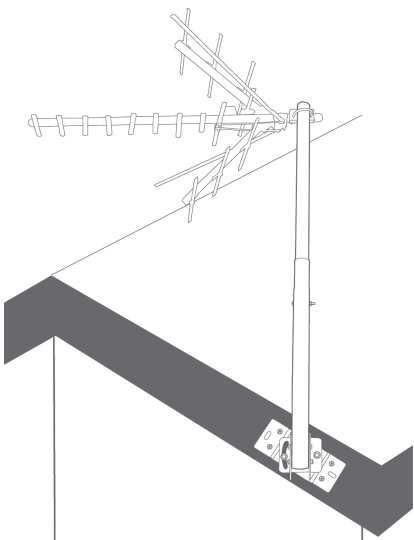
Roof Mount



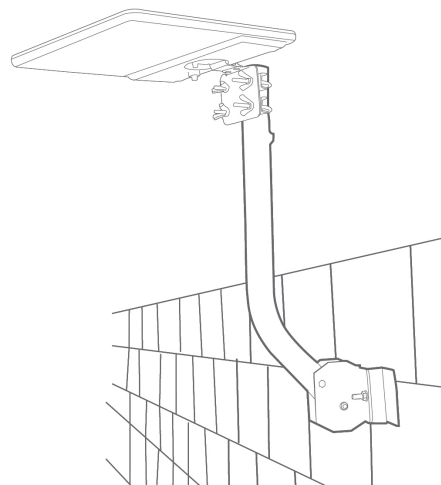
Slanted Fascia Mount



Eve Mount



Wall/Chimney Mount



Grounding Procedure

Mast Grounding

The NEC mandates that the antenna mast and mount be grounded directly. There can be no splices or connections in the ground wire between the mast and the grounding rod. First, attach one end of a No. 8 or No. 10 copper ground wire to the antenna mast. One of the bolts on the antenna mount can be used as a connection point. Masts that are painted or coated can have their coating scraped off on the area where they make contact to the mount. This will ensure a proper connection between the mast and the mount. Next, run the ground wire to the ground as directly as possible. Wire staples can be used to secure the ground wire against the side of a building. Avoid making right angle or sharper turns with the ground wire. Lightning has difficulty making such a turn and therefore may discharge into the building. Make ground wire turns as smooth and as slight as possible. The ground wire must be connected to a grounding rod or other suitable grounding point. Water faucets and/or pipes are not acceptable. A copper-coated steel ground rod driven at least three feet into the ground is recommended. Special clamps that provide a solid connection between the ground wire and grounding rod should be used.

Warranty Information

This product carries a limited 1-year limited manufacturer warranty. The warranty does not apply if the product has been damaged, and/or malfunctions or fails due to improper installation, misuse, abuse, neglect, accident, tampering, or modification of the product. This warranty does not apply if the product is used in a manner that does not comply with product instructions or in situations resulting from acts of nature, such as damage caused by wind, lightning, ice or corrosive environments such as salt spray and acid rain. Should a failure be determined covered by the warranty, it will be the sole discretion of **AirCast® TV Antennas** to repair or replace the product. This warranty covers the product only, and does not include any additional product or expense incurred. No liability outside the product itself is implied.

Return Authorization Policy

A Return Material Authorization (RMA) is required prior to returning any product to **AirCast® TV Antennas** under this warranty policy. Please call our **Customer Service** at **(888) 324-3052** or send an email to service@aircastantennas.com to obtain an RMA number. Enclose the product in a prepaid package and write the RMA number in large, clear numbers on the outside of the package. Shipments without an RMA number(s) will be refused and returned to Customer freight collect.

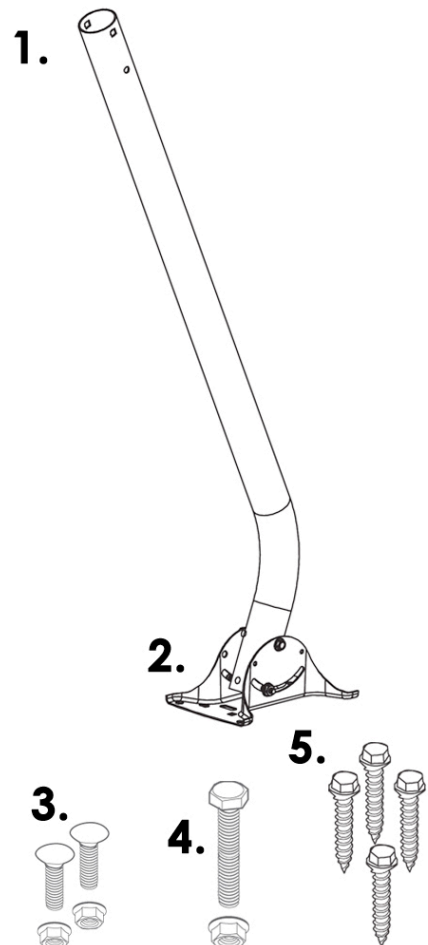
UNIVERSAL J-MOUNT ANTENNA MAST – MODEL JMOUNT038

This universal J-Mount allows you to get your TV antenna higher than standard 18 in. poles allow. Suitable for most outdoor antennas, this j-mount mast can attach to any flat surface including a roof, slanted fascia, eve, wall, or chimney.

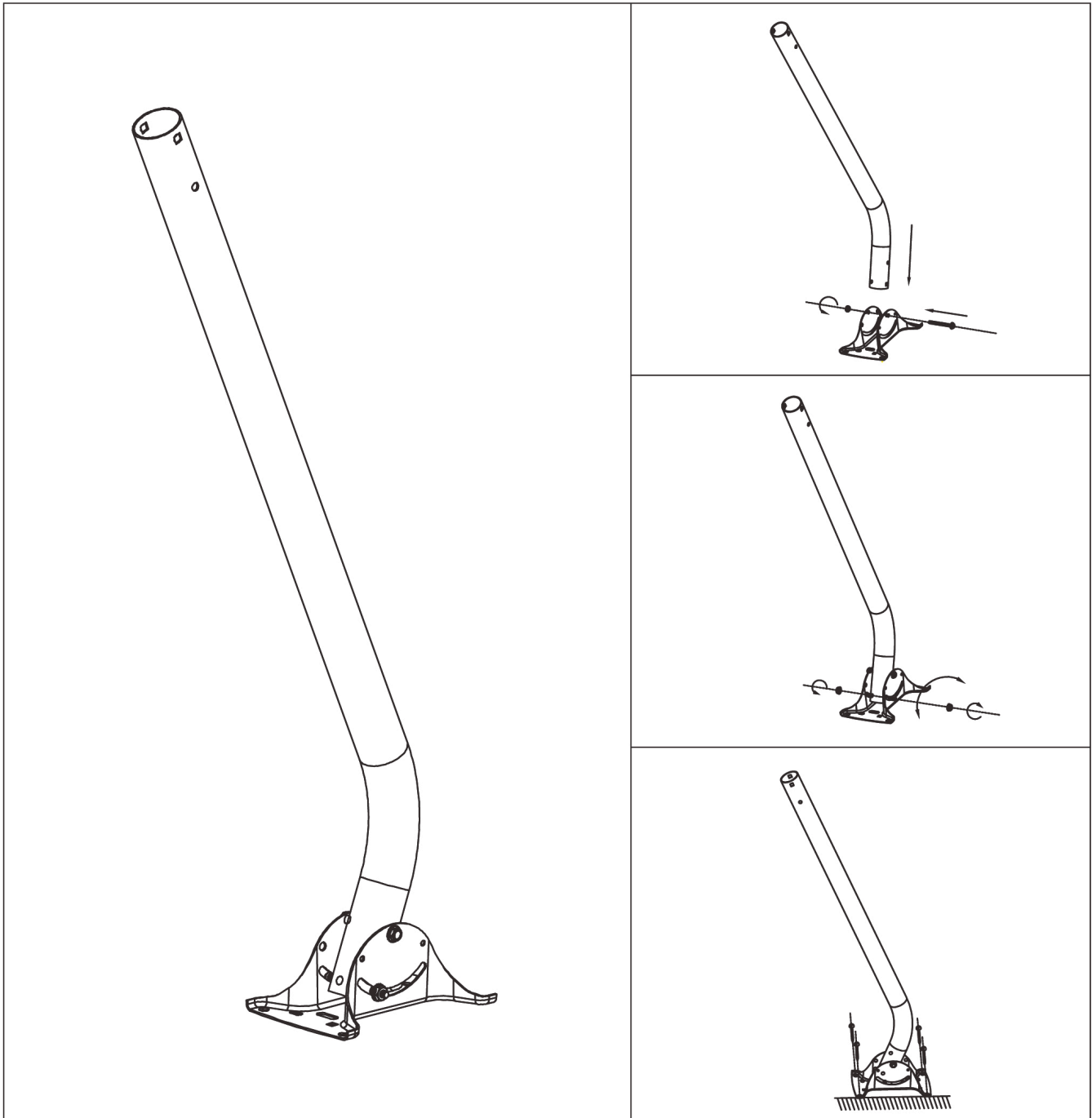
- 38 in. universal J-mount
- Ideal for mounting antennas to roofs, eve, slanted fascia, chimney, outside wall or in an attic
- 1.66 in. outside diameter

Contents:

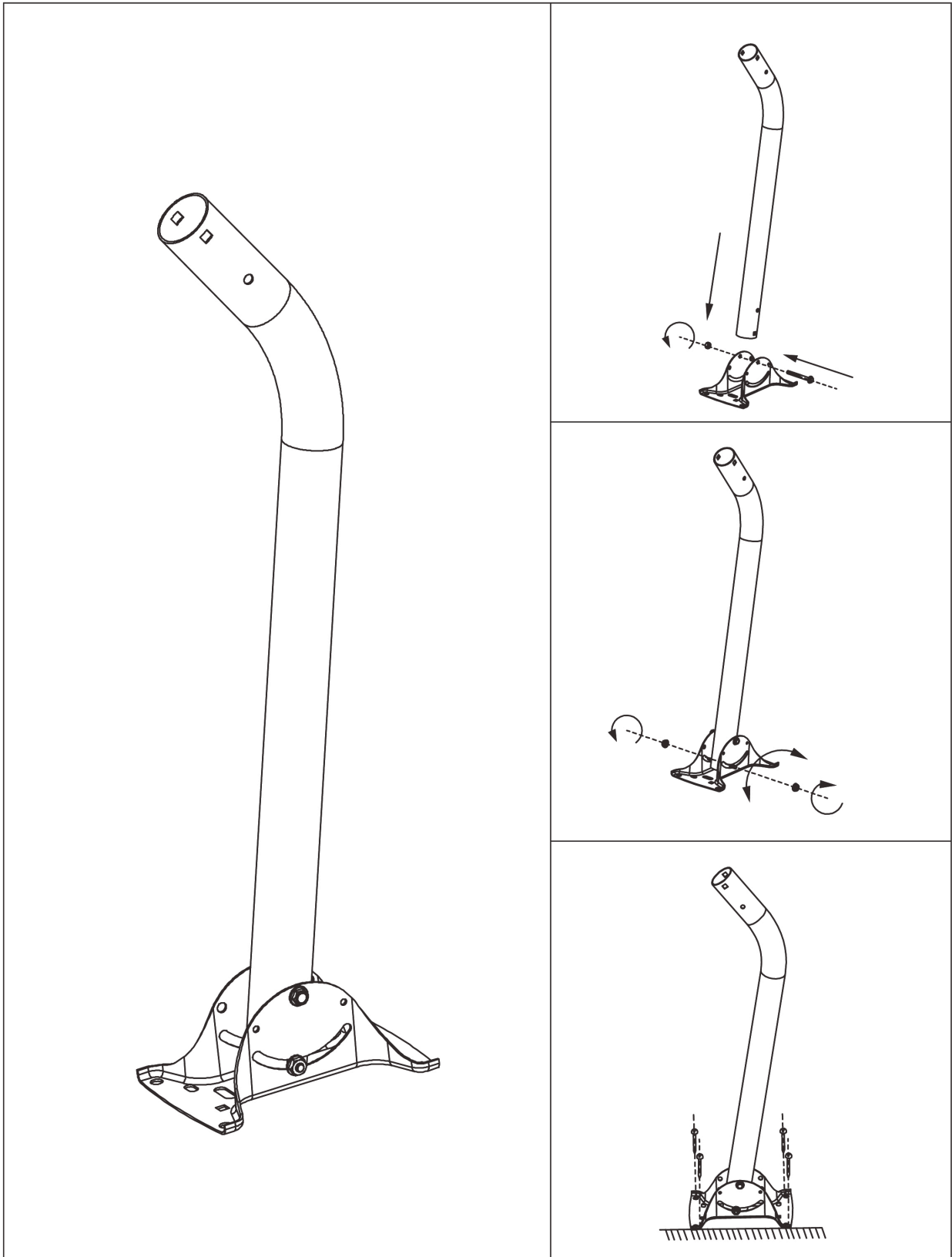
1. AirCast® TV Antenna J-Mount Mast Model# JMOUNT038
2. J-mount Mast Bracket
3. 2 (16mm) Carriage Bolts and 2 Flange Nuts
4. 1 (65mm) Carriage Bolt and 1 Flange Nut
5. 4 (40mm) Lag Screws



ASSEMBLY INSTRUCTIONS – MODEL JMOUNT038 (option A)



ASSEMBLY INSTRUCTIONS – MODEL JMOUNT038 (option B)



Free Manuals Download Website

<http://myh66.com>

<http://usermanuals.us>

<http://www.somanuals.com>

<http://www.4manuals.cc>

<http://www.manual-lib.com>

<http://www.404manual.com>

<http://www.luxmanual.com>

<http://aubethermostatmanual.com>

Golf course search by state

<http://golfingnear.com>

Email search by domain

<http://emailbydomain.com>

Auto manuals search

<http://auto.somanuals.com>

TV manuals search

<http://tv.somanuals.com>