

**Ceiling Fan  
Instruction Manual  
by PCI**

## Table of Contents

Safety Rules . . . . .	1
Unpacking Your Fan . . . . .	2
Installing Your Fan . . . . .	3
Balancing Your Fan . . . . .	12
Operating Your Fan . . . . .	13
Care of Your Fan . . . . .	14
Troubleshooting . . . . .	14
Specifications . . . . .	15
Warranty Information . . . . .	16
Assistance Hotline . . . . .	18

### QUESTIONS, PROBLEMS, MISSING PARTS:

Before returning to your local retailer, please call our Customer Service Team at 1-877-706-3267.

# Another Fine Ceiling Fan by PCI

Thank you for purchasing this PCI ceiling fan. This instruction manual will provide you with all the information to install and operate your new ceiling fan.

This product has been fabricated with the highest standards of quality and safety. Before Installing your new ceiling fan, for your records, remember to record your model number for warranty assistance. Please refer to page 16 (warranty) for further details.

# Safety Rules - Read and Save These Instructions

1. **WARNING:** To reduce the risk of electric shock, insure electricity has been turned off at the circuit breaker or fuse box before beginning.
2. All wiring must be in accordance with the National Electrical Code “ANSI/NFPA 70-1999” and local electrical codes. Electrical installation should be performed by a qualified licensed electrician.
3. **WARNING:** To reduce the risk of electrical shock or fire, do not use this fan with any solid-state fan speed control device. It may cause permanent damage to the motor and electronics.
4. **CAUTION:** To reduce the risk of personal injury, use only the screws provided with the outlet box.
5. The outlet box and support structure must be securely mounted and capable of reliably supporting a minimum of 35 pounds. Use only CUL Listed outlet boxes marked “FOR FAN SUPPORT.”
6. The fan must be mounted with a minimum of 7 feet clearance from the trailing edge of the blades to the floor.
7. Avoid placing objects in path of the blades.
8. To avoid personal injury or damage to the fan and other items, be cautious when working around or cleaning the fan.
9. Do not use water or detergents when cleaning the fan or fan blades. A dry dust cloth or lightly dampened cloth will be suitable for most cleaning.
10. After making electrical connections, spliced conductors should be turned upward and pushed carefully up into outlet box. Turn wire nut connections upwards, spreading them apart so the green (grounded) wire will be on one side of the outlet box and the white, black, and blue wires will be on the other side, and push carefully up into the outlet box.
11. All set screws must be checked and retightened where necessary before installation.

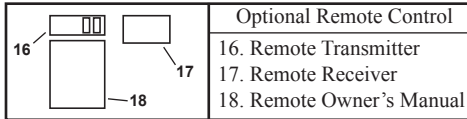
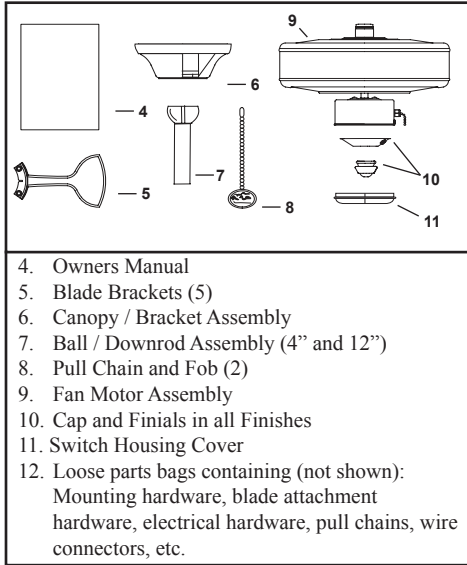
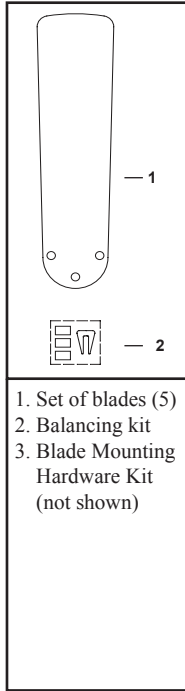
## **WARNING**

**TO REDUCE THE RISK OF PERSONAL INJURY, DO NOT BEND THE BLADE BRACKETS, WHEN INSTALLING THE BRACKETS, BALANCING THE BLADES OR CLEANING THE FAN. DO NOT INSERT FOREIGN OBJECTS IN BETWEEN ROTATING FAN BLADES.**

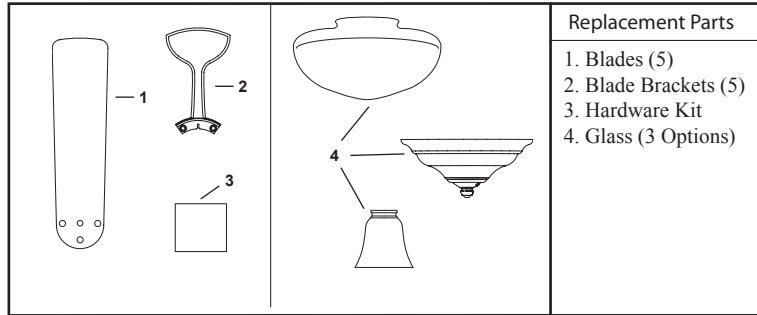
## **WARNING**

**TO REDUCE THE RISK OF FIRE, ELECTRIC SHOCK OR PERSONAL INJURY, MOUNT FAN TO OUTLET BOX MARKED ACCEPTABLE FOR FAN SUPPORT WITH THE SCREWS PROVIDED WITH THE OUTLET BOX.**

# Unpacking Your Fan



Standard Bowl	EStar Bowl	Globe	Multi-Arm
13. Bowl 14. Fitter 15. 13W CFL Bulbs (2)	13. EStar Bowl 14. Fitter 15. 13W GU24 CFL Bulbs (2)	13. Globe 14. Fitter 15. 13W CFL Bulb	13. 3 or 4 Pieces of Side Glass 14. 13W CFL Bulbs (3 or 4) 15. Multi Arm Fitter



The Fan you have purchased will be made up of one of the following light kit configurations:

- Standard Bowl                       Globe  
 Estar Bowl                             Multi-Arm

Please follow the instructions as they pertain to your specific componets.

**⚠ WARNING ⚠**

**DO NOT INSTALL OR USE FAN IF ANY PART IS DAMAGED OR MISSING. CALL TOLL FREE 1-877-706-3267**

# Installing Your Fan

## Tools Required

Phillips screwdriver, adjustable wrench, step ladder, and wire cutters.

## Mounting Options

If there isn't an existing mounting box, then read the following instructions. Disconnect the power by removing fuses or turning off circuit breakers.

Secure the outlet box directly to the building structure. Use appropriate fasteners and building materials. The outlet box and its support must be able to fully support the moving weight of the fan (at least 35 lbs.) Do not use plastic outlet boxes.

Figures 1-3 are examples of different ways to mount the outlet box.

Note: You may need a longer downrod to maintain proper blade clearance when installing on a steep, sloped ceiling. The maximum angle allowable is 18°. If the canopy touches downrod, remove the decorative canopy bottom cover and turn the canopy 180° before attaching the canopy to the mounting plate.

Note: For slope ceiling installation, make sure that the chip of the hanger bracket is toward the floor.

To hang your fan where there is an existing fixture but no ceiling joist, you may need an installation hanger bar as shown in Figure 4 (available at your PCI Retailer).

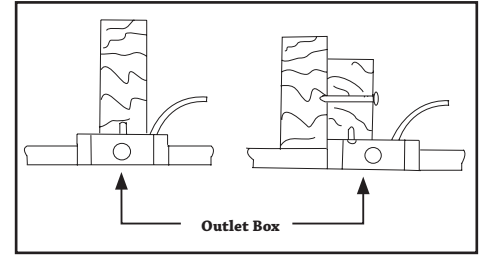


Figure 2

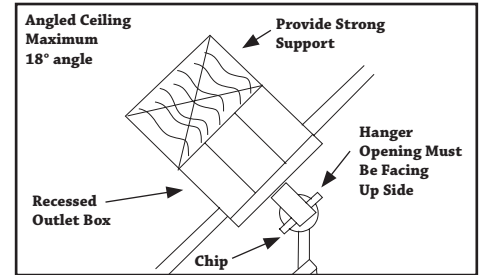


Figure 3

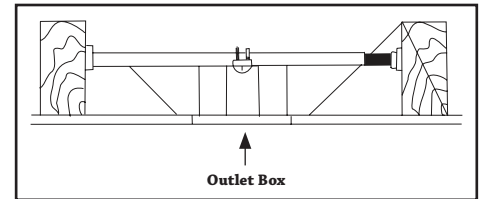


Figure 4

## ⚠ WARNING ⚠

**TO REDUCE THE RISK OF FIRE, ELECTRIC SHOCK OR PERSONAL INJURY, MOUNT FAN ONLY TO AN OUTLET BOX MARKED ACCEPTABLE FOR FAN SUPPORT AND USE THE MOUNTING SCREWS PROVIDED WITH THE OUTLET BOX. OUTLET BOXES COMMONLY USED FOR THE SUPPORT OF LIGHTING FIXTURES MAY NOT BE ACCEPTABLE FOR FAN SUPPORT AND MAY NEED TO BE REPLACED. CONSULT A QUALIFIED ELECTRICIAN IF IN DOUBT.**

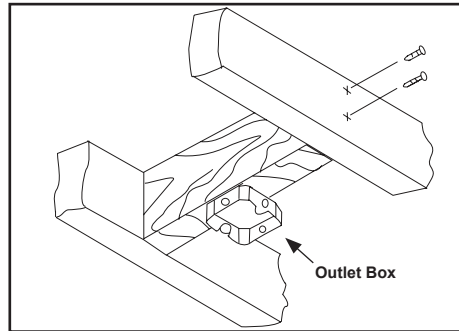


Figure 1

## Hangin9 Your Fan

Follow the steps below to hang your fan properly.

**WARNING:** To reduce the risk of shock, insure electricity has been turned off at the circuit breaker or fuse box before beginning.

**NOTE:** This ceiling fan is supplied with two types of hanging assemblies; the standard ceiling installation using the downrod with ball and socket mounting, and the “close-to-ceiling” mounting. The “close-to-ceiling” mounting is recommended in rooms with less than 8-foot ceilings or in areas where additional space is desired from the floor to the fan blades.

When using standard downrod installation, the distance from the ceiling to the bottom of the fan blades will be approximately 11 inches. The “close-to-ceiling” installation reduces the distance from the ceiling to the bottom of the fans blades to approximately 9 inches. Once you have decided which ceiling installation you will use, proceed with the following instructions.

### Option 1: Standard Ceiling Mounting

1. Remove the mounting bracket from the canopy by loosening the four screws on the top of the canopy. Remove the two non-slotted screws and loosen the slotted screws (Figure 5).

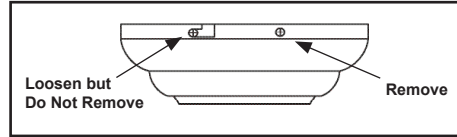


Figure 5

2. Install the hanger bracket by raising the hanger bracket to the UL listed electrical box and securing with the 2 mounting screws.
3. Disassemble the downrod assembly before passing the 120-volt supply wires through the center hole in the ceiling hanger bracket as shown in Figure 6.
4. Route the wires exiting the top of the fan motor through the motor collar, motor collar cap (wet fan only), the canopy bottom cover, then the Ceiling Canopy. Make sure the slot openings are on top. Route the wires through the ball/downrod assembly (Figure 7).
5. Loosen, but do not remove the 2 set screws on the collar on top of the motor housing.
6. Align the holes at the bottom of the downrod with the holes in the collar on top of the motor housing (Figure 8). Carefully insert the collar pin through the holes in the collar and downrod. Be careful not to jam the pin against the wiring inside the downrod. Insert the clevis pin and bend to ensure it is secure, as noted in Figure 8.
7. Tighten the two screws on top of the fan (Figure 8).

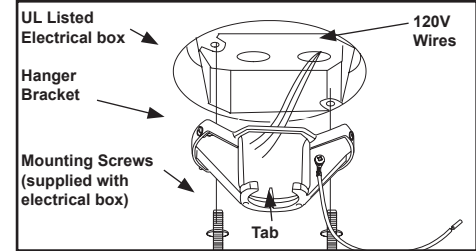


Figure 6

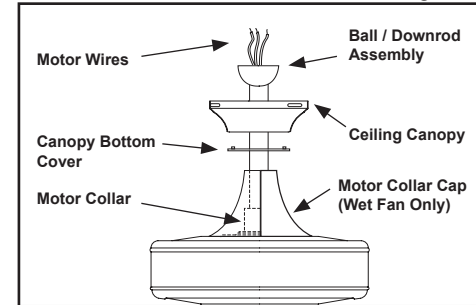


Figure 7

## Hanging Your Fan - cont.

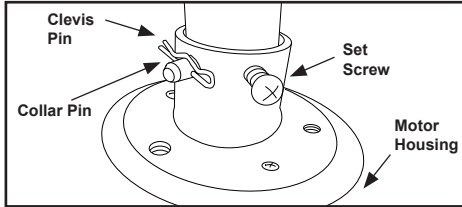


Figure 8



**WARNING**

**FAILURE TO PROPERLY INSTALL CLEVIS PINS NOTED IN STEP 6 COULD RESULT IN FAN LOOSENING AND POSSIBLY FALLING**

8. Slide canopy up to the ceiling as shown in Figure 9. Make sure you place the wires safely into the outlet box. Secure the canopy to the hanger bracket with the four screws with your fan, snap canopy bottom cover to canopy.

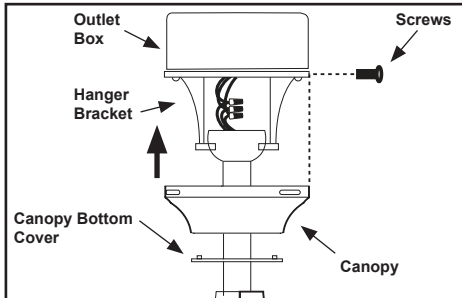


Figure 9

## Option 2: Close-to-Ceiling Mounting

1. Remove the mounting bracket from the canopy by loosening the four screws on the top of the canopy. Remove the two non-slotted screws and loosen the slotted screws (Figure 10).

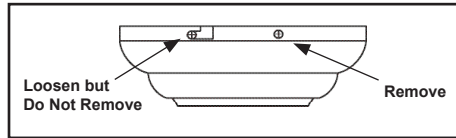


Figure 10

2. Place the gasket over the remaining three screws (for wet rated fans only), route the wires exiting the top of the fan motor through the canopy ring (make sure the slot openings are on top), then proceed to place the ceiling canopy over the collar at the top of the motor (Figure 11).
3. Align the mounting holes with the holes in the motor and fasten, using the three screws and lock-washers.
4. Tighten the mounting screws securely.

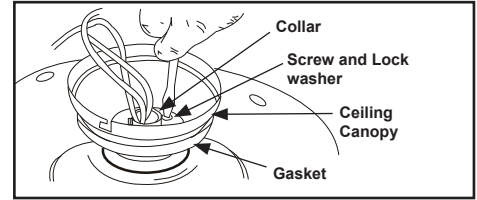


Figure 11

5. Secure the canopy to the hanger bracket as shown in Figure 12 with four screws included with your fan. Secure the canopy to the hanger bracket with the four screws with your fan.

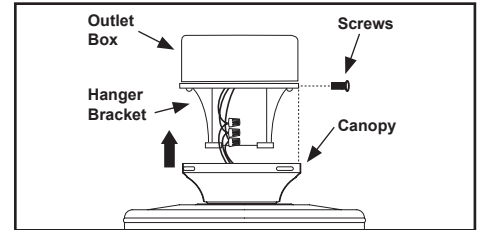


Figure 12



**WARNING**

**FAILURE TO COMPLETELY TIGHTEN THE THREE SCREWS IN STEP 4 COULD RESULT IN FAN LOOSENING AND POSSIBLE FALLING.**

## Installing Your Fan To The Electrical Box



### WARNING

TO REDUCE THE RISK OF FIRE, ELECTRIC SHOCK OR OTHER PERSONAL INJURY, MOUNT FAN ONLY TO AN OUTLET BOX MARKED ACCEPTABLE FOR FAN SUPPORT AND USE THE MOUNTING SCREWS PROVIDED WITH THE OUTLET BOX.

1. Pass the 120-volt supply wires through the center hole in the ceiling mounting plate as shown in Figure 13.
2. Install the ceiling mounting bracket on the outlet box, by sliding the mounting plate over the two screws provided with the outlet box (Figure 13). When using “close-to-ceiling” mounting, it is important that the mounting bracket be level. If necessary, use leveling washers (not included) between the mounting bracket and the electrical box. Note that the flat side of the mounting bracket is toward the electrical box (Figure 13).
3. Securely tighten the two mounting screws.

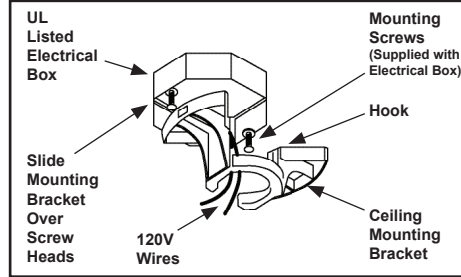


Figure 13

4. If using the “close-to-ceiling” mounting option, carefully lift the fan assembly up to the ceiling mounting bracket and hang the fan on the hook provided by utilizing one of the holes at the outer rim of the ceiling canopy (Figure 14). If Using standard mounting, seat the hanger ball in the mounting bracket socket. Make sure the tab on the mounting bracket socket is properly seated in the groove in the hanger ball (Figure 14).



### WARNING

WHEN USING THE STANDARD BALL/DOWNRD MOUNTING. THE TAB IN THE RING MUST REST IN THE GROOVE OF THE HANGER BALL. FAILURE TO PROPERLY SEAT THE TAB IN THE GROOVE COULD CAUSE DAMAGE TO WIRING.

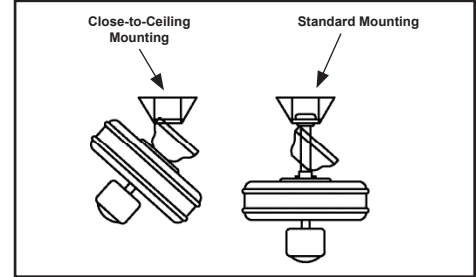


Figure 14



### WARNING

THE HOOK AS SHOWN IN FIGURE 11 IS ONLY TO BALANCE THE FAN WHILE ATTACHING WIRING. FAILURE TO HANG AS SHOWN IN FIGURE 14 MAY RESULT IN HOOK BREAKING CAUSING THE FAN TO FALL. HOOK MUST PASS FROM INSIDE TO OUTSIDE OF CANOPY.



### WARNING

WHEN MOUNTING THE FAN ON A SLOPED CEILING, THE STANDARD BALL/DOWNRD MOUNTING METHOD MUST BE USED. MAKE SURE THE MOUNTING PLATE SLOTS ARE ON THE LOWER SIDE BY SLIDING THE MOUNTING BRACKET FROM THE TOP DOWN.



## Making The Electrical Connection



### WARNING

TO REDUCE THE RISK OF SHOCK, INSURE ELECTRICITY HAS BEEN TURNED OFF AT THE CIRCUIT BREAKER OR FUSE BOX BEFORE BEGINNING.

If you feel you do not have enough electrical wiring knowledge or experience, have your fan installed by a licensed electrician.

Follow the steps below to connect the fan to your household wiring. Use the wire connecting nuts supplied with your fan. Secure the connectors with electrical tape. Make sure there are no loose strands or connections.

1. Connect the ground conductor of the 120v supply (this may be a bare wire or a wire with green colored insulation) to the green ground lead(s) of the fan (Figure 15). When using standard ceiling mounting, there are two green grounding leads; one from the ceiling mounting bracket and one from the ball/downrod assembly. When using “closeto-ceiling” mounting, there is only one green ground lead from the ceiling mounting bracket since the ball/downrod assembly is not used.

2. Connect the fan motor white wire to the supply white (neutral) wire using a wire nut (Figure 15).
3. Connect the fan motor black wire to the supply black (hot) wire using a wire nut (Figure 15).
4. Connect the blue wire for the light kit to the black household supply wire.
5. Turn wire nut connections upwards, spreading them apart so the green (grounded) wire will be on one side of the outlet box and the white, black, and blue wires will be on the other side, and push carefully up into the outlet box.



### WARNING

CHECK TO SEE THAT ALL CONNECTIONS ARE TIGHT, INCLUDING GROUND, AND THAT NO BARE WIRE IS VISIBLE AT THE WIRE NUTS, EXCEPT FOR THE GROUND WIRE.



### WARNING

ELECTRICAL DIAGRAMS ARE FOR REFERENCE ONLY. OPTIONAL USE OF ANY LIGHT KIT SHALL BE UL LISTED AND MARKED SUITABLE FOR USE WITH THIS FAN.

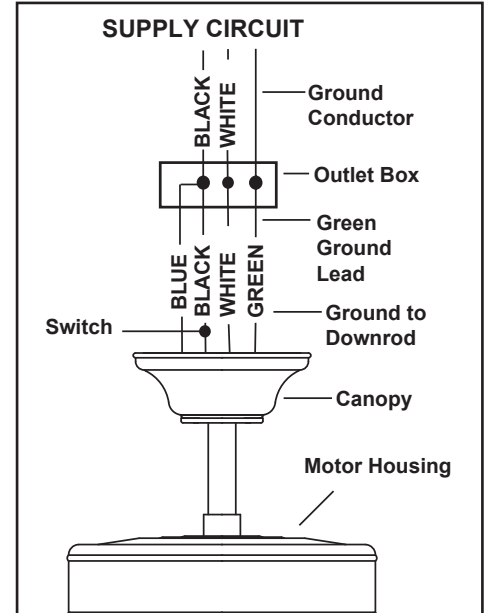


Figure 15

## Finishing The Fan Installation

### Standard Ceiling Mounting Attaching the Fan Blades



#### WARNING

LOCKING SLOTS OF CEILING CANOPY ARE AN AID TO MOUNTING, DO NOT LEAVE FAN ASSEMBLY UNATTENDED UNTIL ALL FOUR CANOPY SCREWS ARE ENGAGED AND FIRMLY TIGHTENED.

1. Align the locking slots of the ceiling canopy with the two screws in the mounting plate. Push up to engage the slots and turn clockwise to lock in place. Immediately tighten the two mounting screws firmly.
2. Install the remaining two mounting screws into the holes in the canopy and tighten firmly.
3. You may now proceed to attaching the fan blades.

### Close-to-Ceiling Mounting

1. Carefully unhook the fan from the mounting plate and align the locking slots of the canopy with the two screws in the mounting plate. Push up to engage slots and turn clockwise to lock in place. Immediately tighten the two mounting screws firmly.
2. Install the remaining two mounting screws into the holes in the canopy and tighten firmly.
3. You may now proceed to attaching the fan blades.

1. Attach blade to blade bracket using the screws provided (Figure 16). Insert a screw into the bracket. Repeat for the two remaining screws.



#### WARNING

MOTOR IS SHIPPED WITH RUBBER MOTOR BLOCKS TO PREVENT MOVEMENT DURING TRANSPORTATION. REMOVE MOTOR BLOCKS PRIOR TO ATTACHING BLADE BRACKETS.

2. Tighten each screw securely.
3. Fasten the blade assembly to the motor by inserting the alignment post into the slot on the bottom of the motor and tightening the motor screws. Please note that the motor screws may be pre-attached into the blade brackets (Figure 17).
4. Repeat steps 1-3 for the remaining blades.

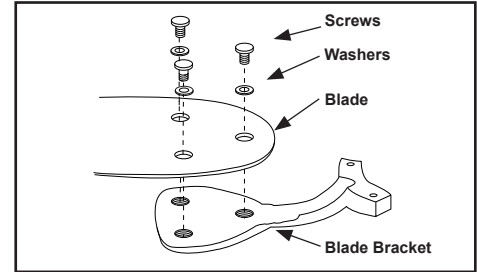


Figure 16

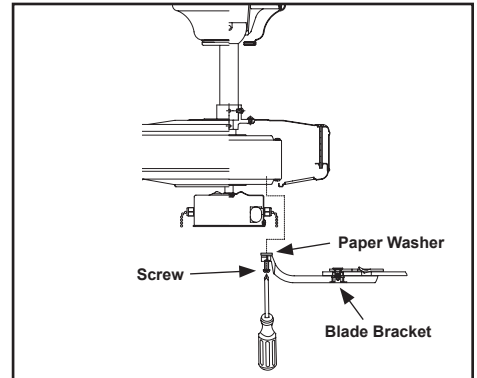


Figure 17

## Glass Installation Options 1

### Aftermarket Option Accessory Light Kit for fans without light kits

1. Only the fan pull chain is functional. Second light pull chain in switch housing does not function for this configuration but must be in the “on” position for proper light kit operation.
2. Refer to the instructions that came with your accessory light kit for proper assembly.
3. Consult a certified electrician if needed.

Your Fan will have one of the following 3 light kit options: Globe, Bowl, or Multi-Arm Light Kit.

### Option 1 Attaching the Globe

1. Connect the two blue to blue light kit wires by single pin and connect the two white to white light kit wires by single pin.
2. Remove the three screws from the switch housing, then insert the light kit into the switch housing.
3. Align the three screw holes in the switch housing with the screw holes in the light kit.
4. Re-Install the three screws.

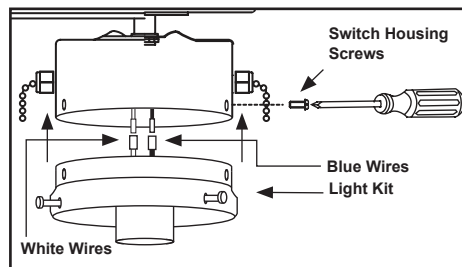
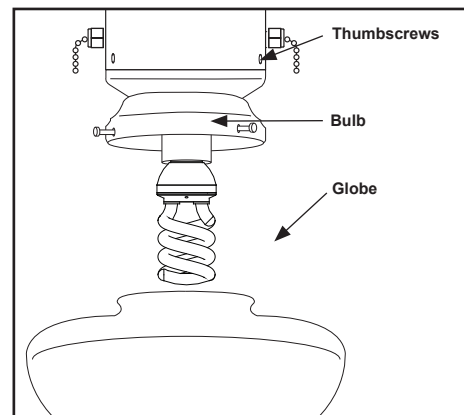


Figure 18

5. Install bulb provided.
6. Insert the globe into the fixture. Tighten the thumbscrews manually until finger-tight. Do not overtighten.

Note: If thumbscrews are pre-installed, loosen the thumbscrews before inserting the globe, then retighten securely.



Fan with light kit

Figure 19

## Glass Installation Options 2

### Option 2 Installing the Bowl Light Kit

#### NOTE

**BEFORE STARTING INSTALLATION, DISCONNECT THE POWER BY TURNING OFF THE CIRCUIT BREAKER OR REMOVING THE FUSE AT FUSE BOX. TURNING POWER OFF USING THE FAN SWITCH IS NOT SUFFICIENT TO PREVENT ELECTRIC SHOCK.**

1. Unscrew the hex nut from the top of the light socket and insert light socket through the hole in the bottom center of the switch housing, then reassemble the hex nut to the light socket securing the two pieces firmly together.

#### NOTE

**YOUR FAN MAY HAVE A 4 PIN CONNECTOR THAT WILL BE USED IN PLACE OF THE WHITE AND BLUE WIRE CONNECTORS.**

2. While holding the light kit assembly under your fan, locate two single white and blue wires in the switch housing labeled FOR LIGHT. Make the polarized plug connections:
  - White to white
  - Blue to black
3. Carefully push all wires back into the switch housing. Attach the light kit fitter by aligning its keyhole slots with the three screws holes and reversing switch on the side of switch housing. Tighten the three screws securely to prevent the light kit from vibrating loose. (Fig. 20)

4. Install bulbs (included).
5. Place the glass shade over the light kit stem. While holding the shade in place, position the glass cap over the threaded stem and secure entire assembly with the decorative nut. Do not overtighten.
6. Feed the pull chain(s) through the eyelet in the shade and cap. Secure the light kit assembly with decorative nut provided. Do not overtighten. (Fig. 20)

#### NOTE

**MAKE SURE TO LEAVE ENOUGH SPACE BETWEEN THE FAN PULL CHAIN AND THE BULBS SO THE CHAIN DOESN'T RUB AGAINST ANY OF THE BULBS.**

#### NOTE

**LIGHT BULBS HAVE NO WARRANTY; CAN BE PURCHASED AT ANY HOME RETAILER.**

### Fan without Bowl Light Kit (Optional)

Your fan is designed with light kit, in case you intend to install the fan without light kit, attach the switch housing cover to the switch housing with the screws provided. (Fig. 21)

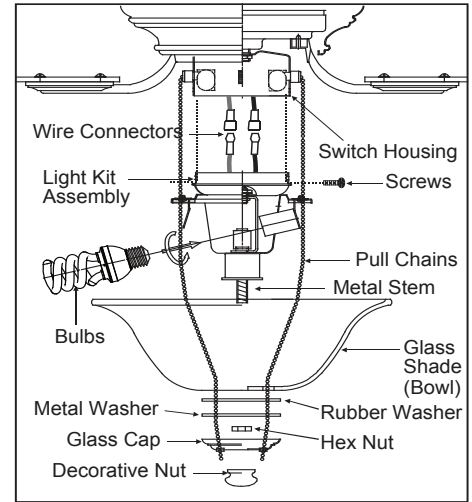


Figure 20

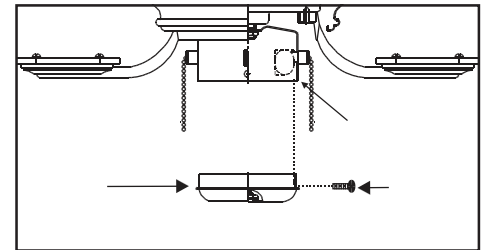


Figure 21

## Glass Installation Options 3

### Option 3 Installing the Multi Arm Light Kit

#### CAUTION

BEFORE STARTING INSTALLATION, DISCONNECT THE POWER BY TURNING OFF THE CIRCUIT BREAKER OR REMOVING THE FUSE AT FUSE BOX. TURNING POWER OFF USING THE FAN SWITCH IS NOT SUFFICIENT TO PREVENT ELECTRIC SHOCK.

1. While holding the light kit assembly under your fan, locate two single white and blue wires in the switch housing labeled FOR LIGHT. Make the polarized plug connections:
  - White to white
  - Blue to black

#### NOTE

YOUR FAN MAY HAVE A 4 PIN CONNECTOR THAT WILL BE USED IN PLACE OF THE WHITE AND BLUE WIRE CONNECTORS

2. Carefully push all wires back into the switch housing. Attach the light kit fitter by aligning its keyhole slots with the three screw holes and the reverse switch on the side of the switch housing. Tighten the three screws securely to prevent the light kit from vibrating loose. (Fig. 22)

3. Mount the glass shades to the light fixture by unscrewing partway the thumbscrews on the glass holders, insert the glass, then gently tighten the thumbscrews by hand evenly to the glass. DO NOT OVER TIGHTEN (Fig. 23).
4. Install three bulbs (included). NOTE: CFL bulbs are NOT dimmable.

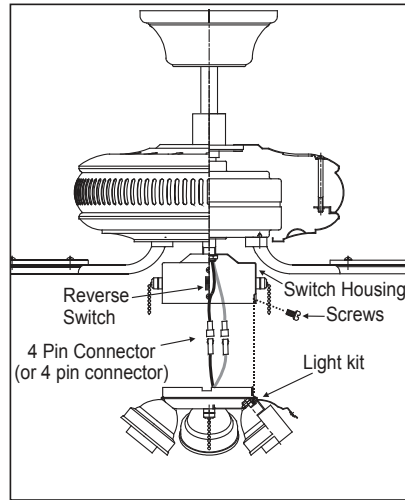


Figure 22

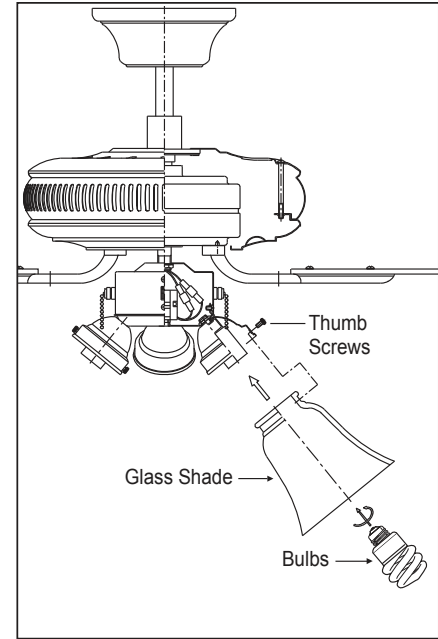


Figure 23

#### NOTE

THE LIGHT KIT WITH YOUR FAN MAY HAVE 3 OR 4 LIGHTS

## Balancing Your Fan

The following procedure should correct most fan wobble.

Check after each step.

1. Check that all blade and blade bracket screws are secure.
2. Most fan wobble problems are caused when blade levels are unequal. Check this level by selecting a point on the ceiling above the tip of one of the blades. Measure from a point on the tip of each blade to a point directly above the blade on the ceiling. Measure this distance as shown in Figure 24. Rotate the fan until the next blade is positioned for measurement. Repeat for each blade. Measurements deviation should be within 1/8". Run the fan for 10 Minutes.
3. Use the enclosed Blade Balancing Kit if the blade wobble is still noticeable.
4. To use the kit, begin by adjusting the fan speed to find where you get the most wobble.
5. Turn off the fan and then attach the clip-on weight about halfway down any blade.
6. Turn the fan back on to see if this has helped the wobble, continue moving the clip-on weight from blade to blade.
7. Once you have isolated the "wobble" blade, start moving the clip-on weight up and down the length of the blade (starting and stopping the fan each time) until you locate the correct spot to stop the wobble.
8. Once the wobble has been located, place one of the adhesive weight on the upper side of the blade where the clip-on weight was located.
9. Remove the clip-on weight, turn the fan on.

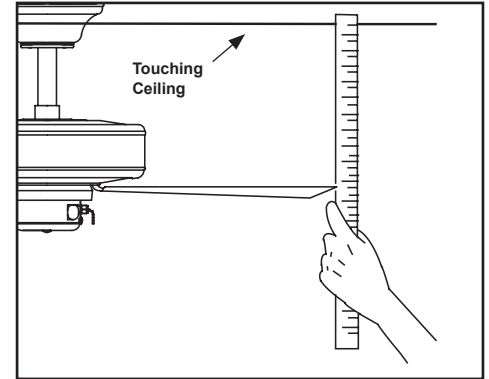


Figure 24

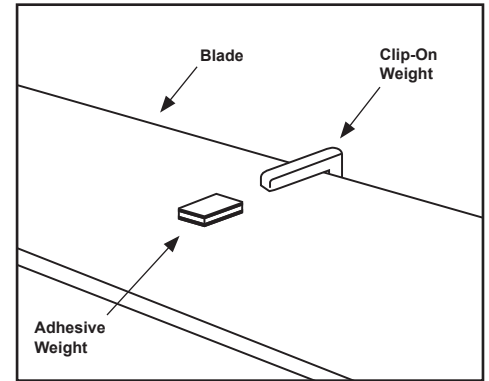


Figure 25

## Operating Your Fan

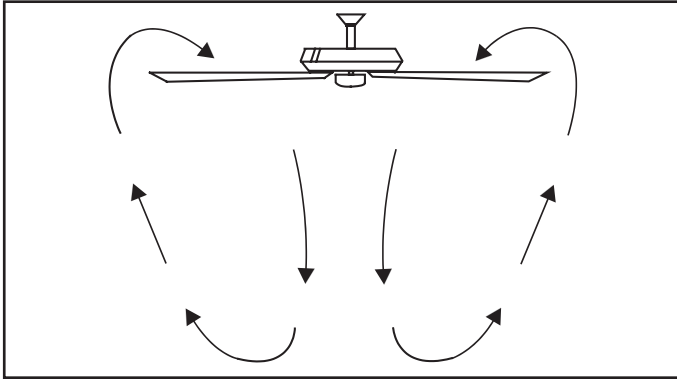


Figure 26

Warm weather - (Forward) A downward air flow creates a cooling effect as shown in Figure 26. This allows you to set your air conditioner on a higher setting without affecting your comfort.

Turn on the power and check the operation of your fan. There are two pull chains available in your fan:

1. 3-speed pull chain- it controls the fan speed as follows:

- 1-Pull = High Speed
- 2-Pulls = Medium Speed
- 3-Pulls = Low Speed
- 4-Pulls = Fan Off

Speed settings for warm or cool weather depend on factors such as the room size, ceiling height, number of fans, and so on.

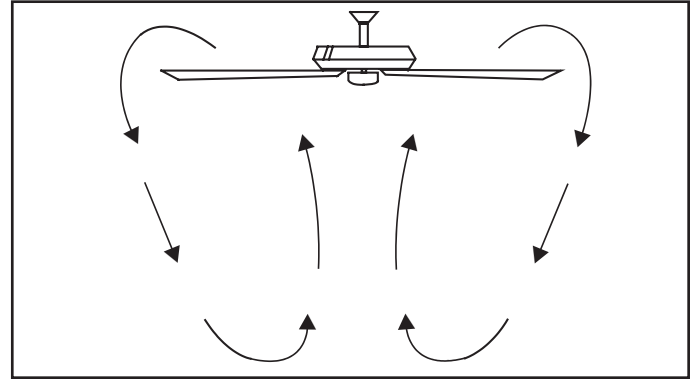


Figure 27

Cool weather - (Reverse) An upward airflow moves warm air off the ceiling area as shown in Figure 27. This allows you to set your heating unit on a lower setting without affecting your comfort.

The slide switch controls directions: forward (switch down ) or reverse (switch up ).

### NOTE

WAIT FOR FAN TO STOP BEFORE CHANGING THE SETTING OF THE SLIDE SWITCH.

## Care Of Your Fan / Troubleshooting

### Care of Your Fan

Here are some suggestions to help you maintain your fan.

1. Because of the fan's natural movement, some connections may become loose. Check the support connections, brackets, and blade attachments twice a year. Make sure they are secure. (It is not necessary to remove fan from ceiling.)
2. Clean your fan periodically to help maintain its new appearance over the years. Do not use water when cleaning. Use only a soft brush or lint-free cloth to avoid scratching the finish. The plating is sealed with a lacquer to minimize discoloration or tarnishing.
3. You can apply a light coat of furniture polish to the wood for additional protection and enhanced beauty. Cover small scratches with a light application of shoe polish.
4. There is no need to oil your fan. The motor has permanently lubricated sealed ball bearings.

### Troubleshooting

#### PROBLEM

#### SOLUTION

- |                    |   |
|--------------------|---|
| Fan will not start | <ol style="list-style-type: none"><li>1. Check main and branch circuit fuses or breakers.</li><li>2. Check line wire connections to the fan and switch wire connections in the switch housing.</li></ol>  |
| Fan sounds noisy   | <ol style="list-style-type: none"><li>1. Make sure all motor housing screws are snug.</li><li>2. Make sure the screws that attach the fan blades bracket to the motor hub are tight.</li><li>3. Make sure wire nut connections are not rattling against each other or the interior wall of the switch housing.<br/><b>CAUTION:</b> Make sure main power is off.</li><li>4. Allow a 24-hour "breaking-in" period. Most noises associated with a new fan disappear during this time.</li><li>5. If using the ceiling fan light kit, make sure the screws securing the glassware are tight. Check that the light bulb is also secure.</li><li>6. Make sure there is a short distance from the ceiling to the canopy. It should not touch the ceiling.</li><li>7. Make sure your ceiling box is secure and rubber isolator pads are used between mounting bracket and outlet box.</li></ol> |



**MAKE SURE THE POWER IS OFF AT THE ELECTRICAL PANEL BOX BEFORE YOU ATTEMPT ANY REPAIRS. REFER TO THE SECTION, "MAKING ELECTRICAL CONNECTIONS."**



## Specifications

### Typical Measurements for This Fan Series.

Fan Size	Speed	Volts	Amps	Watts	RPM	CFM	CFM/W
52" (1.32 m)	Low	120	0.21	9.9	56	1644	166
	Medium	120	0.34	26.5	101	3090	117
	High	120	0.50	59.9	146	4569	76

These are approximate measures. They do not include Amps and Wattage used by the light kit.

#### **NOTE**

THE VALUES ON THIS CHART ARE APPROXIMATE AND REPRESENTATIVE OF THE PERFORMANCE OF TYPICAL FANS WITH THE SAME SIZE MOTOR, BLADE DIAMETERS AND PITCH AS THE FAN YOU PURCHASED. THESE MEASUREMENTS DO NOT INCLUDE ANY POWER THAT THE LIGHT KIT USES. FOR PRECISE SPECIFICATIONS PLEASE REFER TO THE CHART ON THE CARTON.

## Warranty

# PCI Lifetime Limited Warranty

(Lifetime warranty on motor)

PCI warrants the fan motor to be free from defects in workmanship and material present at time of shipment from the factory for a lifetime after the date of purchase by the original purchaser. PCI also warrants that all other fan parts, excluding any glass or acrylic blades, to be free from defects in workmanship and material at the time of shipment from the factory for a period of one years after the date of purchase by the original purchaser. We agree to correct such defects without charge or at our option replace with a comparable or superior model if the product is returned to PCI. To obtain warranty service, you must present a copy of the receipt as proof of purchase. All costs of removing and reinstalling the product are your responsibility. Damage to any part such as by accident or misuse or improper installation or by affixing any accessories, is not covered by this warranty. Because of varying climatic conditions, this warranty does not cover any changes in plated finishes, including rusting, pitting, corroding, tarnishing or peeling. Brass finishes of this type give their longest useful life when protected from varying weather conditions. A certain amount of “wobble” is normal and should not be considered a defect. Servicing performed by unauthorized persons shall render the warranty invalid. To obtain service, contact our service department at 1-877-706-3267. You will be responsible for all insurance and freight charges. A copy of the sales receipt is required to obtain service. We will return you fan freight pre-paid. Please pack your fan properly to avoid damage in transit. PCI will not be responsible for such damages.

In no event shall PCI be liable for consequential or incidental damages.

Some states do not allow the exclusion or limitation of consequential or incidental damages, in which case the above limitation or exclusion may not apply.

This warranty gives you specific legal rights. You may also have other rights which vary state to state.

### IMPORTANT NOTE:

To ensure warranty service, your fan must be registered (see warranty card herein)

You must present a copy of the original purchase receipt to obtain warranty service.

CEILING FAN WARRANTY CENTER  
3059 FOREST HILL IRENE RD., SUITE 103  
GERMANTOWN, TN 38138

Attach receipt here for  
easy location.

# Owner Registration Card



## Owner Registration Card

Please fill out, cut along dashed line, affix proper postage and return the owner registration card within 10 days to insure that your new Ceiling Fan is covered by the limited warranty.

Purchaser's Name: \_\_\_\_\_

Address: \_\_\_\_\_

State: \_\_\_\_\_ Zip: \_\_\_\_\_

Model No: \_\_\_\_\_ Purchase Date: \_\_\_\_\_

Where Purchased (Store Name): \_\_\_\_\_

Store Address: \_\_\_\_\_ State: \_\_\_\_\_ Zip: \_\_\_\_\_

Type of store where purchased:

- Lighting Center    Building Supply Center    Department Store  
 Other \_\_\_\_\_

Where fan will be used:

If commercial institution, what type of business?

- Restaurant    Bar    Store    Office  
 Other \_\_\_\_\_

If home installation, which room?

- Family Room    Patio    Living Room  
 Bedroom    Porch    Kitchen  
 Other \_\_\_\_\_

Vendor No: \_\_\_\_\_

UPC: \_\_\_\_\_  
\_\_\_\_\_  
\_\_\_\_\_  
\_\_\_\_\_

**CALL TOLL-FREE  
FOR ASSISTANCE**

**NEED HELP?**  
Please **DO NOT RETURN MERCHANDISE  
BEFORE YOU CALL**

*Glass Broken*



*Missing Parts?*



**WE PROVIDE**  
Prompt shipment of missing, broken, or defective parts.  
**CALL 1-877-706-3267**  
Between 8:00 am and 5:00 pm  
Pacific Standard Time, Monday-Friday



## Free Manuals Download Website

<http://myh66.com>

<http://usermanuals.us>

<http://www.somanuals.com>

<http://www.4manuals.cc>

<http://www.manual-lib.com>

<http://www.404manual.com>

<http://www.luxmanual.com>

<http://aubethermostatmanual.com>

Golf course search by state

<http://golfingnear.com>

Email search by domain

<http://emailbydomain.com>

Auto manuals search

<http://auto.somanuals.com>

TV manuals search

<http://tv.somanuals.com>