

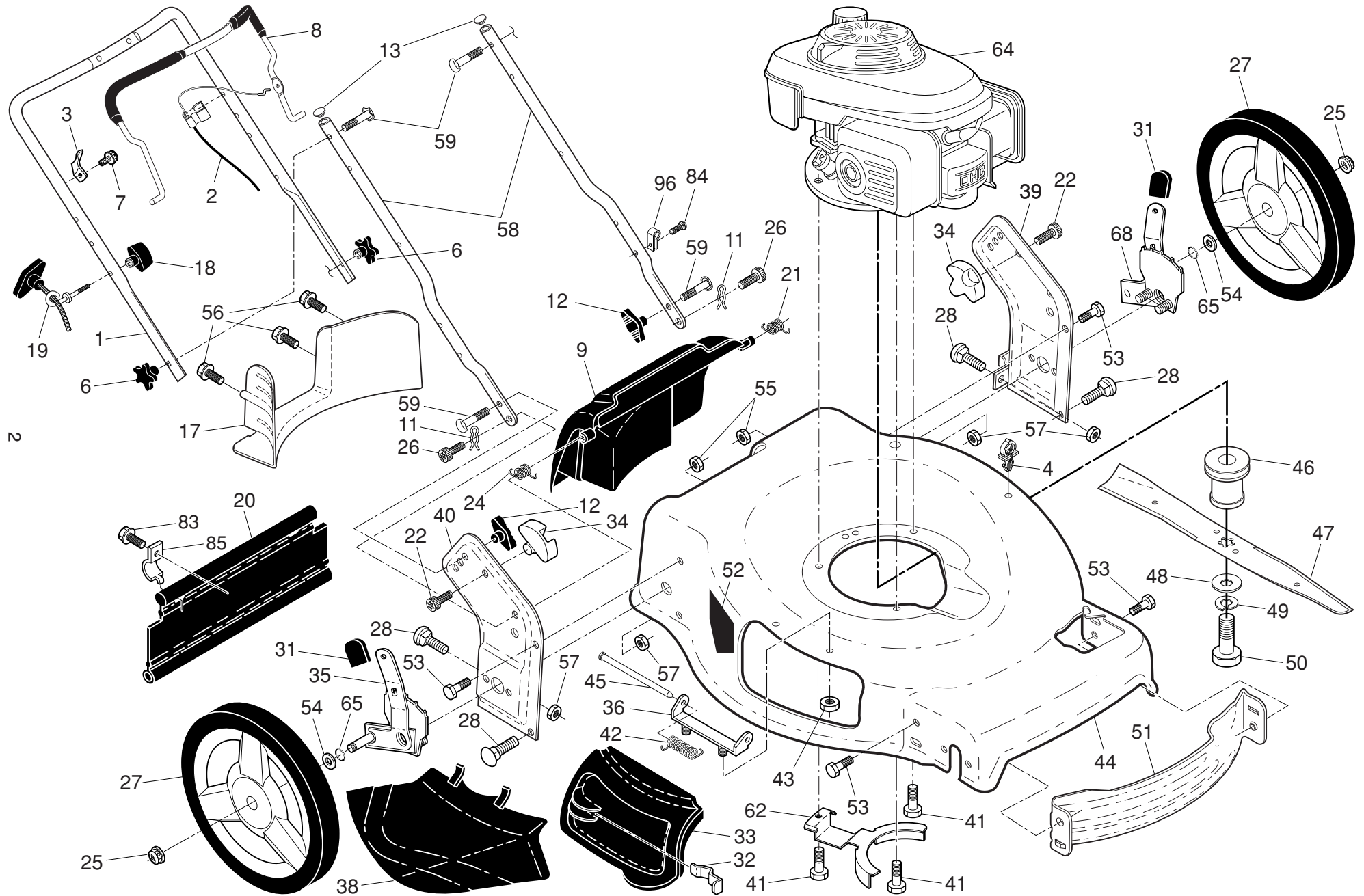
**ILLUSTRATED PARTS LIST**

**MODEL NUMBER HU700F**

**PRODUCT NUMBER 961 45 00-09**

**MFG. ID. NUMBER 96145000902**

# HUSQVARNA ROTARY LAWN MOWER - - MODEL NUMBER HU700F (MFG. ID. NO. 96145000902)



# HUSQVARNA ROTARY LAWN MOWER - - MODEL NUMBER HU700F (MFG. ID. NO. 96145000902)

KEY NO.	PART NO.	DESCRIPTION	KEY NO.	PART NO.	DESCRIPTION
1	585 85 48-06	Upper Handle	41	532 15 04-06	Screw, Dogpoint 3/8-16 x 1-1/8
2	532 41 53-50	Engine Zone Control Cable	42	532 19 30-00	Spring, Torsion
3	532 43 00-34	Bracket, Upstop	43	532 19 17-30	Nut, Hex, Nylock
4	532 14 50-06	Guide, Cable	44	581 69 08-01	Kit, Lawn Mower Housing
6	532 18 23-98	Handle Knob, Star	45	532 17 56-50	Rod, Hinge
7	532 17 88-48	Screw, Hex Washer Head #10-16 x 5/8	46	581 47 33-01	Blade Adapter / Pulley
8	580 84 91-02	Control Bar	47	580 24 40-01	Blade, 22"
9	532 43 13-90	Rear Door Assembly	48	532 85 10-74	Washer, Hardened
11	532 42 55-75	Hairpin	49	532 85 02-63	Washer, Helical
12	532 19 19-38	Handle Knob, Standard	50	532 85 10-84	Screw, Machine, Hex Head 3/8-24 x 1-3/8 Grade 8
13	532 43 75-16	Plug, Lower Handle Bar	51	532 43 05-99	Front Baffle
17	532 42 73-07	Rear Baffle	52	532 40 47-63	Decal, Danger
18	581 91 26-01	T-Knob	53	817 00 05-10	Screw, Hex Head 5/16
19	581 90 21-01	Rope Guide	54	532 08 83-48	Washer, Flat
20	532 42 91-57	Rear Skirt	55	532 19 17-30	Nut, Hex, Flanged 1/4-20
21	532 41 99-49	Spring, Rear Door, LH, Black	56	817 41 13-12	Screw, Hex Washer Head #13 x 3/4
22	532 14 18-41	Screw, Pan Head, Torx #20	57	532 15 53-77	Locknut, Hex 5/16-18
24	532 41 99-48	Spring, Rear Door, RH, Grey	58	585 90 82-03	Bar, Lower Handle
25	532 40 91-49	Nut, Hex, Flanged	59	532 19 15-74	Handle Bolt
26	532 41 99-45	Screw, Rear Door/Handle Pivot	62	532 43 50-59	Belt Retainer
27	580 33 46-01	Wheel & Tire Assembly, Rear	64	- - -	Engine, Honda, Model Number GCV160-LAOS3B (For engine service and replacement parts, call Honda Engines at 1-800-426-7701)
28	<b>586 21 25-01</b>	Bolt, Carriage 5/16-18 x 5/8			O-Ring
31	532 70 10-37	Selector Knob	65	532 19 74-80	Wheel Adjuster Assembly, LH (Includes Knob)
32	532 44 11-92	Latch, Mulcher Door	68	532 43 11-41	Screw
33	532 41 99-27	Mulcher Door	83	532 75 00-97	Fastener, Push
34	532 43 81-34	Pivot Bracket	84	532 42 81-24	Bracket, Skirt Mounting
35	532 43 11-40	Wheel Adjuster Assembly, RH (Includes Knob)	85	532 43 45-30	Clip, Cable
36	532 17 57-35	Hinge Bracket Assembly	96	532 19 79-91	Operator's Manual, English / Spanish
38	532 42 61-29	Discharge Deflector	- -	<b>586 75 94-27</b>	
39	585 90 07-03	Handle Bracket, LH			
40	585 90 08-03	Handle Bracket, RH			

**NOTE:** All component dimensions given in U.S. inches. 1 inch = 25.4 mm

**IMPORTANT:** Use only Original Equipment Manufacturer (O.E.M.) replacement parts. Failure to do so could be hazardous, damage your lawn mower and void your warranty.



# HUSQVARNA ROTARY LAWN MOWER - - MODEL NUMBER HU700F (MFG. ID. NO. 96145000902)

KEY NO.	PART NO.	DESCRIPTION	KEY NO.	PART NO.	DESCRIPTION
1	579 70 89-09	Drive Control Assembly (Includes Cable)	29	532 40 91-48	Locknut, Hex
9	532 43 16-49	Cable, Drive Control	32	532 44 32-62	Drive Pulley
10	532 43 27-90	Mounting Bracket, Drive Control	33	532 42 66-09	V-Belt
11	532 41 10-81	Wheel & Tire Assembly, Front	35	581 49 79-04	Wheel Adjuster Assembly, LH (Includes Bearing)
12	812 00 00-58	E-Ring	36	532 42 47-41	Gear Case Assembly, Complete
13	532 40 38-49	Pinion	38	532 19 17-30	Locknut 1/4-20
14	581 84 04-01	Dust Cover	40	532 40 65-58	Spring
15	532 40 48-45	Pawl, Drive	41	581 49 79-03	Wheel Adjuster Assembly, RH (Includes Bearing)
16	532 06 77-25	Washer, Flat 3/8	54	580 94 73-15	Grassbag
18	532 70 10-37	Selector Knob	57	532 41 99-51	Frame, Grassbag
20	532 18 16-98	Screw	80	532 43 84-89	Water Washout Assembly
25	532 43 17-11	Belt Guide Bracket	81	532 43 49-94	Fitting, Hose, Water Washout
26	532 16 34-09	Screw, Hi-Lo Thread #12 x 5/8	82	532 415 5-85	Washer, Lock, Internal Tooth
28	532 42 10-97	Drive Cover Assembly (Includes Mounting Screw and Pushnut)	83	532 415 5-86	Locknut, Hex, with O-Ring
			85	532 41 64-05	Adapter, Quick-Connect

**NOTE:** All component dimensions given in U.S. inches. 1 inch = 25.4 mm

**IMPORTANT:** Use only Original Equipment Manufacturer (O.E.M.) replacement parts. Failure to do so could be hazardous, damage your lawn mower and void your warranty.

## Free Manuals Download Website

<http://myh66.com>

<http://usermanuals.us>

<http://www.somanuals.com>

<http://www.4manuals.cc>

<http://www.manual-lib.com>

<http://www.404manual.com>

<http://www.luxmanual.com>

<http://aubethermostatmanual.com>

Golf course search by state

<http://golfingnear.com>

Email search by domain

<http://emailbydomain.com>

Auto manuals search

<http://auto.somanuals.com>

TV manuals search

<http://tv.somanuals.com>