



## LC3 Ceiling Loudspeaker Range

LC3-UC06, LC3-UC06-LZ, LC3-CBB

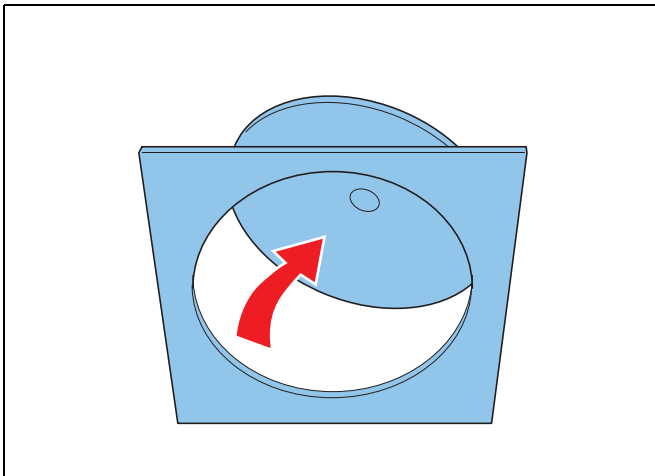


**BOSCH**

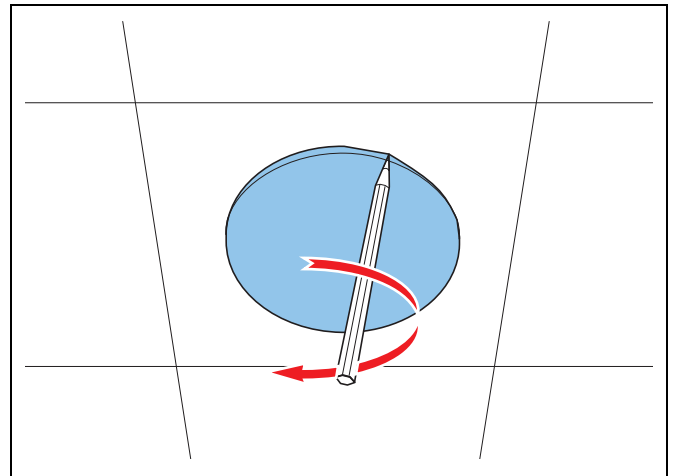
en Installation Note



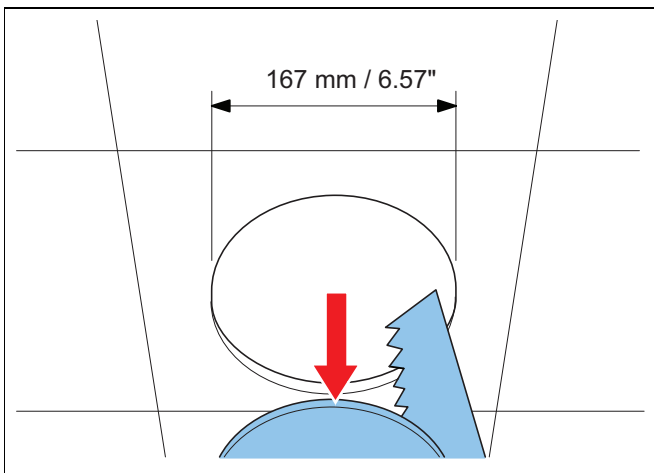
# 1 Installation



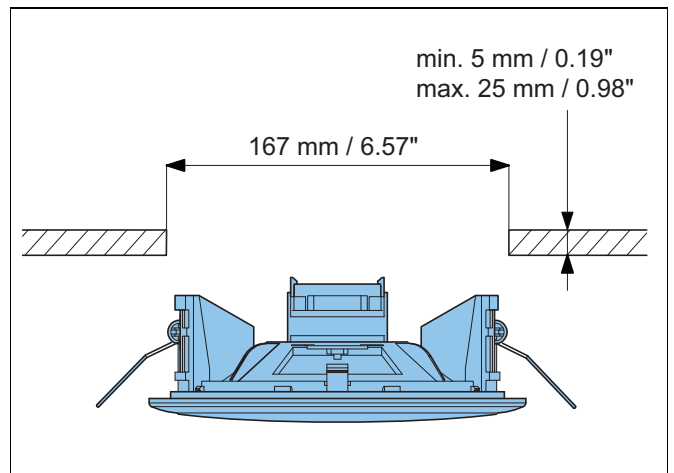
1: Ceiling cut-out template



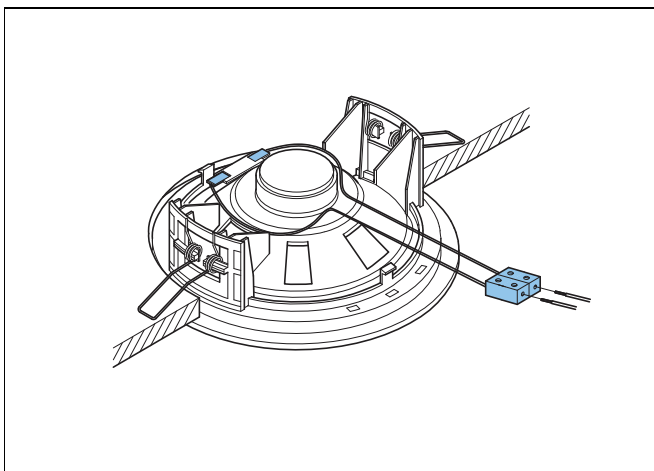
2



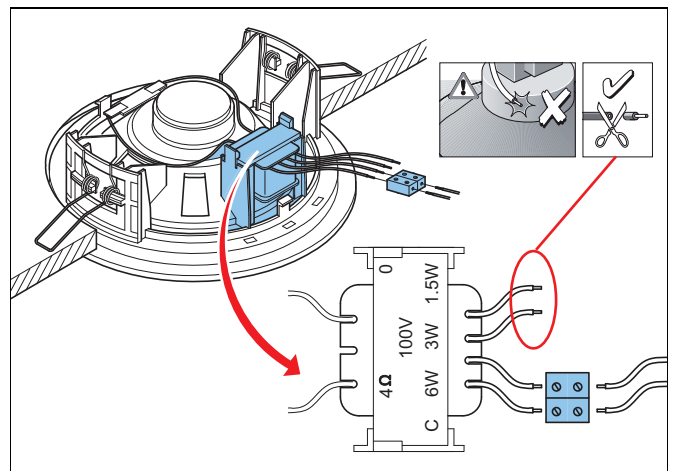
3



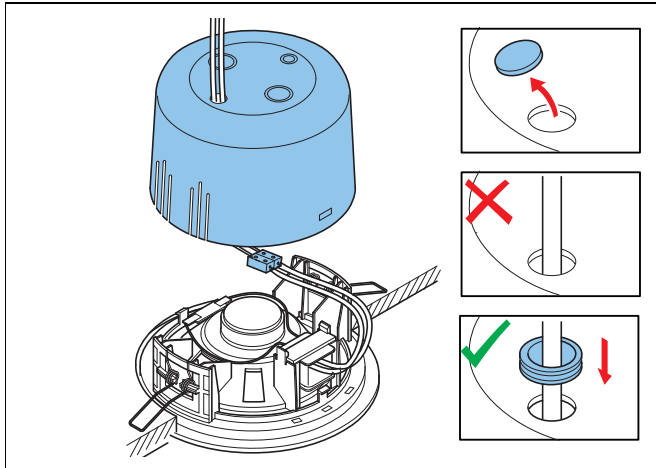
4



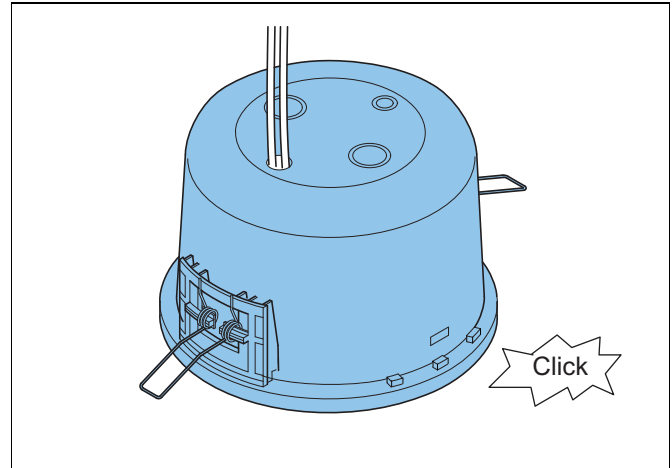
5: Connection LC3-UC06-LZ (4Ω)



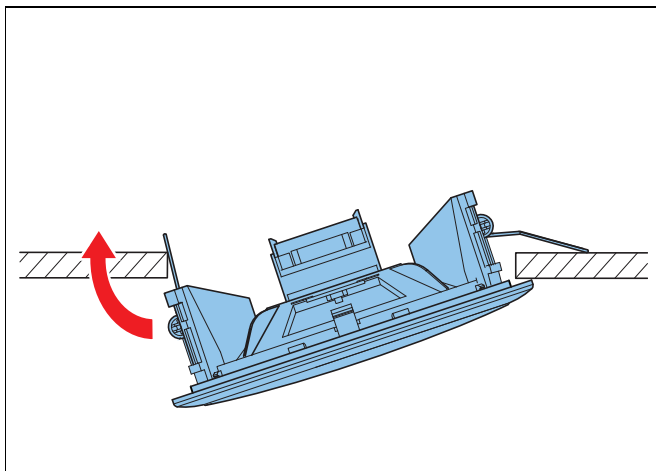
6: Connection LC3-UC06 (100 V)



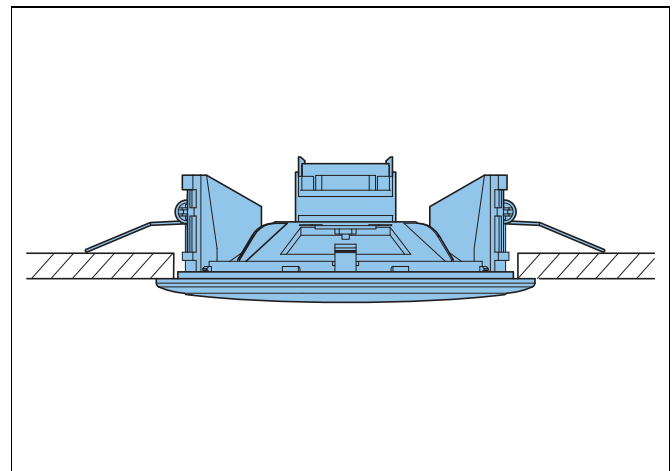
7: Connection LC3-UC06 + LC3-CBB (optional)



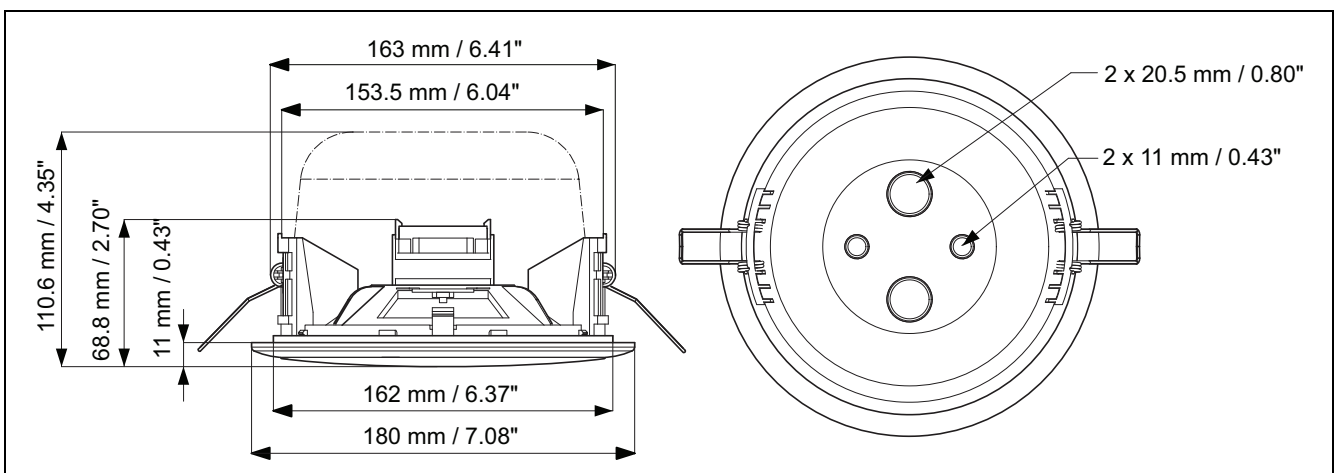
8: LC3-UC06 + LC3-CBB (optional)



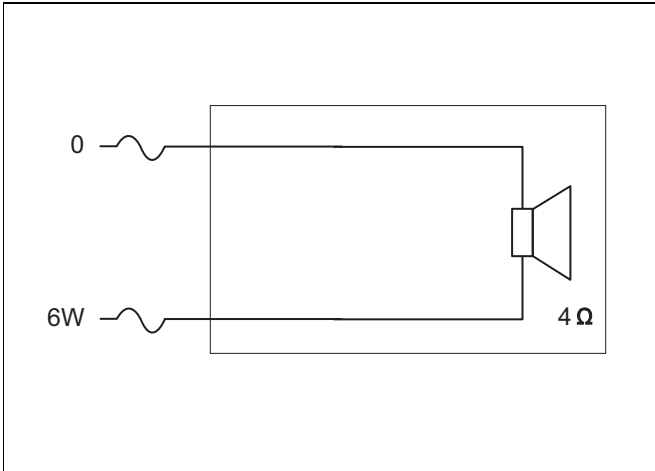
9



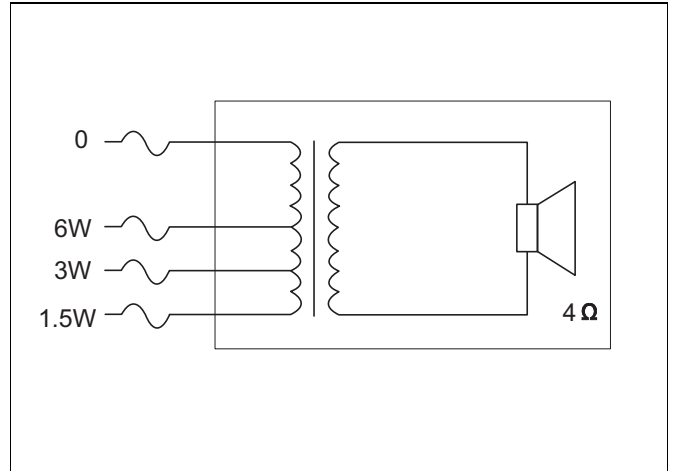
10



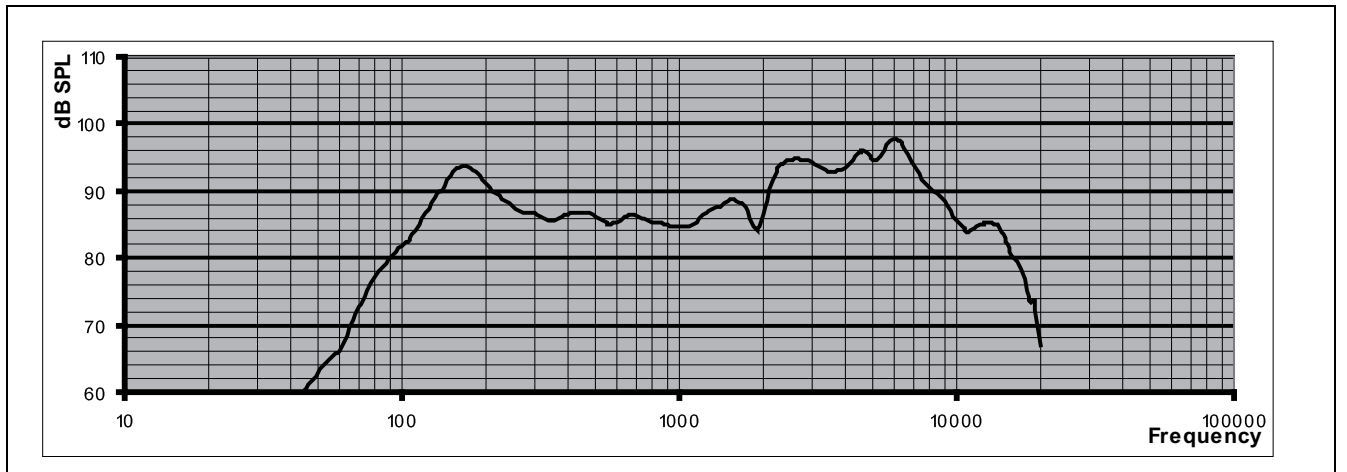
Dimensions LC3-UC06 + LC3-CBB (optional)



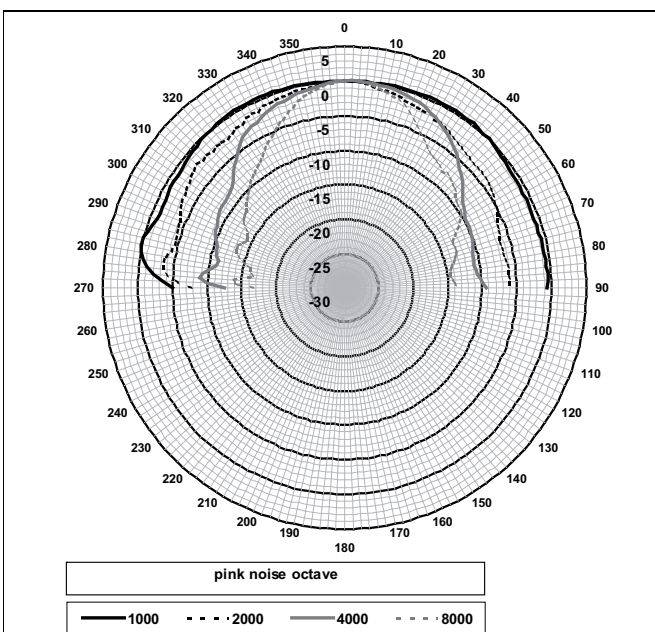
Circuit diagram LC3-UC06-LZ (4Ω)



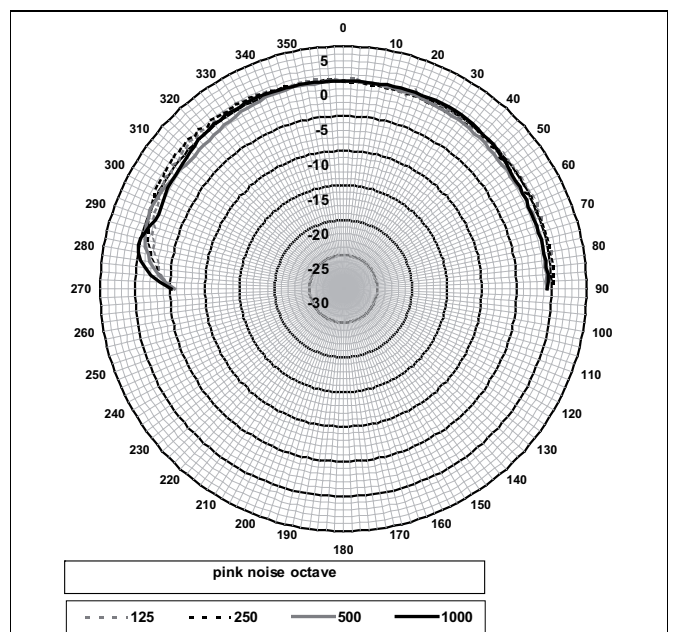
Circuit diagram LC3-UC06 (100 V)



Frequency response



Horizontal/Vertical polar diagram.  
Normalized at 0-degrees axis.



Horizontal/Vertical polar diagram.  
Normalized at 0-degrees axis.

## 2 Technical specifications

<b>Electrical*</b>	<b>LC3-UC06</b>	<b>LC3-UC06-LZ</b>
Description	Ceiling Loudspeaker	Ceiling Loudspeaker
Maximum power	9 W	9 W
Rated power	6 W (6/3/1.5 W)	6 W
Sound pressure level at rated power / 1 W (1 kHz, 1 m)	94dB / 86 dB (SPL)	94dB / 86 dB (SPL)
Sound pressure level at rated power / 1 W (4 kHz, 1 m)	103dB / 95 dB (SPL)	103dB / 95 dB (SPL)
Opening angle at 1 kHz / 4 kHz (-6 dB):	180 / 85 degrees	180 / 85 degrees
Effective frequency range (-10 dB)	90 Hz to 20 kHz	90 Hz to 20 kHz
Rated voltage	100 V	4.9 V
Rated impedance	1667 Ohm	4 Ohm
Connector	Flying leads: 150 mm (5.90 in)	Flying leads: 150 mm (5.90 in)

\*Technical performance according to IEC 60268-5

<b>Mechanical</b>	<b>LC3-UC06</b>	<b>LC3-UC06-LZ</b>	<b>LC3-CBB</b>
Description	Ceiling Loudspeaker	Ceiling Loudspeaker	Back-Box
Diameter	180 mm (7.08 in)	180 mm (7.08 in)	148 mm (5.82 in)
Mounting cut-out	167 mm (6.57 in)	167 mm (6.57 in)	-
Max. ceiling thickness	5 to 25 mm (0.19 to 0.98 in)	5 to 25 mm (0.19 to 0.98 in)	-
Max. depth	59 mm (2.32 in)	59 mm (2.32 in)	96.3 mm (3.79 in)
Material (frame, front grille)	ABS	ABS	ABS
Weight	475 g (1.04 lb)	337 g (0.74 lb)	110 g (0.24 lb)
Color	White (RAL 9010)	White (RAL 9010)	White (RAL 9010)

### **Environmental**

Operation temperature	-25 °C to +55 °C (-13 °F to +131 °F)
Storage temperature	-40 °C to +70 °C (-40 °F to +158 °F)
Relative humidity	< 95%

### **Certification and approvals**

Safety	According to EN 60065
UL compliancy	According to UL 94 V 0



**Bosch Security Systems B.V.**

Torenallee 49

5617 BA Eindhoven

Netherlands

**[www.boschsecurity.com](http://www.boschsecurity.com)**

© Bosch Security Systems B.V., 2017



## Free Manuals Download Website

<http://myh66.com>

<http://usermanuals.us>

<http://www.somanuals.com>

<http://www.4manuals.cc>

<http://www.manual-lib.com>

<http://www.404manual.com>

<http://www.luxmanual.com>

<http://aubethermostatmanual.com>

Golf course search by state

<http://golfingnear.com>

Email search by domain

<http://emailbydomain.com>

Auto manuals search

<http://auto.somanuals.com>

TV manuals search

<http://tv.somanuals.com>