

EF36BNNF and IF36BNNF



36 Inch Wide Freestanding Refrigerator

PLANNING GUIDE

WARNING

- Observe all governing codes and ordinances during planning and installation. Contact your local building department for further information.
- This appliance must be installed in accordance with the accompanying installation instructions.

Product Dimensions

IMPORTANT: For model IF36BNNF see following pages for custom panel and handle requirements.

- ◇ The depth from the front of the door (w/o door handles) to the back of the refrigerator chassis is 27" (686 mm).
- ◇ The depth of the cabinet less the door is 24 1/4" (616 mm).
- ◇ The power cord is 60" (1524 mm) long.
- ◇ The height from the top of the refrigerator to the floor with the leveling legs in the down position is 70 1/8" (1781 mm). Add 2 1/2" (64 mm) for the optional top trim kit (AFG36).
- ◇ The height from the top of the refrigerator to the floor with the leveling legs in the fully extended position is 71 1/4" (1810 mm) at the front of the unit. Add 2 1/2" (64 mm) for the optional top trim kit (AFG36). See following pages for more details.
- ◇ The refrigerator width from edge to edge is 35 5/8" (905 mm).

Location Requirements

The refrigerator can be recessed in an opening between cabinets or installed at the end of a cabinet run using a side panel to enclose it.

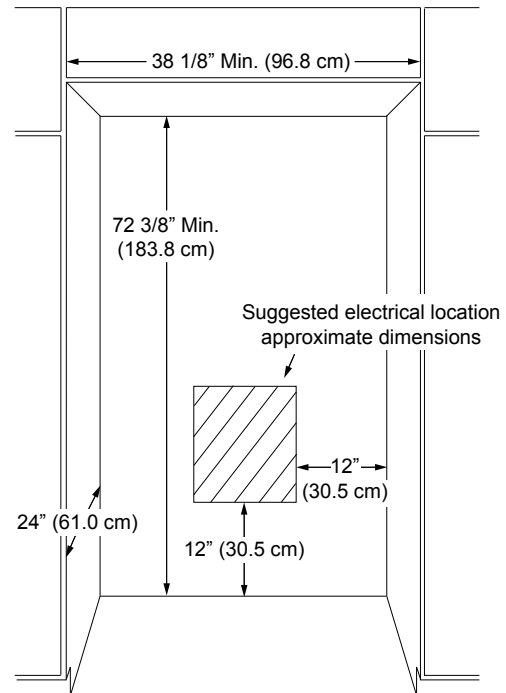
- ◇ To ensure proper ventilation, allow for a 1/2" (13 mm) space on both sides and at the top of the refrigerator. Allow for 1" (2.5 mm) behind.
- ◇ The location must allow the refrigerator to be moved out from the wall without being disconnected if service is required.
- ◇ Do not install the refrigerator in a location where the temperature will fall below 55°F (13°C).
- ◇ Allow a minimum of 2 1/2" (64 mm) space between the side of the refrigerator and an oven or range.
- ◇ The floor must be able to support the refrigerator's weight of more than 600 lbs (272 kg), the door panels and the refrigerator contents.
- ◇ The area to the left and the right of the appliance must permit both doors to open to a minimum of 90°. Allow space between the side of the refrigerator doors and a corner wall for the handle and/or custom door panels.

Cabinet Layout

- ◇ A grounded three prong non-GFCI electrical outlet must be provided and should be in a location that allows the refrigerator to be connected without an extension cord. See "Electrical Requirements" for additional information.
- ◇ The plumbing for the water line can come through the floor flush to or from the back wall. Install the water valve in a location that allows it to be turned off without moving the refrigerator out in the event the refrigerator or water line requires service.

Electrical Requirements

A 115 Volt, 60 Hz. AC only 15 or 20 Amp. fused, grounded electrical supply is required. It is recommended that a separate circuit serving only your refrigerator be provided. Use an outlet that cannot be turned off by a switch. Do not use an extension cord.



Water Supply Requirements

- ◇ A cold water supply with water pressure of between 35 and 120 psi (241 and 827 kPa) is required to operate the water dispenser and ice maker. If you have questions about your water pressure, call a licensed, qualified plumber.
- ◇ Install a shut off valve between the refrigerator and water supply. Use 1/4" copper tubing with a compression nut and compression sleeve and check for leaks. Allow a minimum of 24" (610 mm) diameter service loop of copper tubing outside the wall or floor for easy connection to the water supply. Install copper tubing only in areas where the household temperatures will remain above freezing.
- ◇ Do not use a piecing type or 3/16" (5 mm) saddle valve which will reduce water flow and clog more easily.

Reverse Osmosis Water supply

IMPORTANT: The pressure of the water supply coming out of a reverse osmosis system going to the water inlet valve of the refrigerator needs to be between 35 and 120 psi (241 and 827 kPa).

If a reverse osmosis water filtration system is connected to your cold water supply, the water pressure to the reverse osmosis system needs to be a minimum of 40 to 60 psi (276 to 414 kPa).

If the water pressure to the reverse osmosis system is less than 40 to 60 psi (276 to 414 kPa):

- Check to see whether the sediment filter in the reverse osmosis system is blocked. Replace the filter if necessary.
- Allow the storage tank on the reverse osmosis system to refill after heavy usage.
- If your refrigerator has a water filter, it may further reduce the water pressure when used in conjunction with a reverse osmosis system. Remove the water filter. See the use and care manual.

If you have questions about your water pressure, call a licensed, qualified plumber.

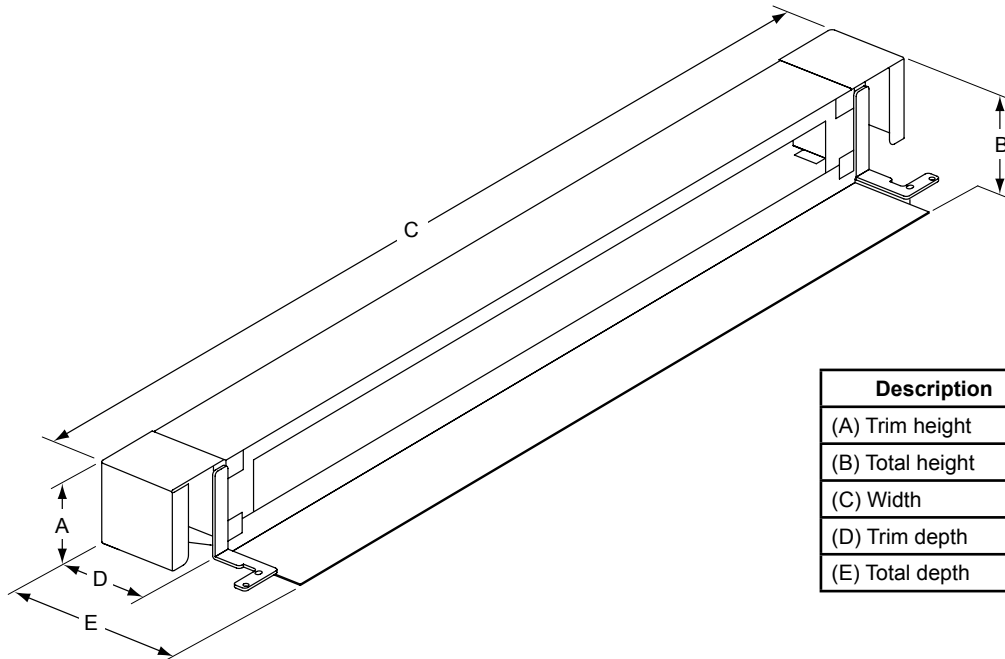
EF36BNNF and IF36BNNF



36 Inch Wide Freestanding Refrigerator

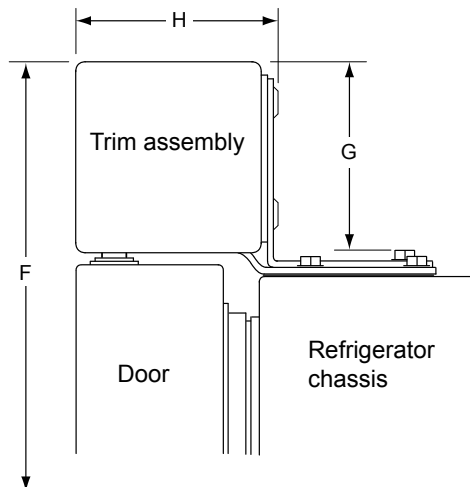
PLANNING GUIDE

Optional AFG36 Trim Kit Dimensions (Model EF36BNNF Only)



| Description | Dimension |
|------------------|-------------------|
| (A) Trim height | 2 15/16" (7.5 cm) |
| (B) Total height | 3 1/4" (8.3 cm) |
| (C) Width | 35 5/8" (90.5 cm) |
| (D) Trim depth | 3 3/16" (8.1 cm) |
| (E) Total depth | 6" (15.2 cm) |

TRIM ASSEMBLY DIMENSIONS - REAR VIEW



IMPORTANT: Allow additional space to avoid scraping during push back and vibration

| Description | Dimension |
|--|---|
| (F) Distance to floor | 72 5/8" (184.5 cm)* 73 5/8" (186.0 cm)** |
| (G) Trim height from top of refrigerator chassis | 2 7/8" (7.3 cm) |
| (H) Width | 3 3/16" (8.1 cm) |

* With leveling legs in down position
** with leveling legs in fully extended position

TRIM ASSEMBLY DIMENSIONS, INSTALLED - SIDE VIEW

EF36BNNF and IF36BNNF



36 Inch Wide Freestanding Refrigerator

PLANNING GUIDE

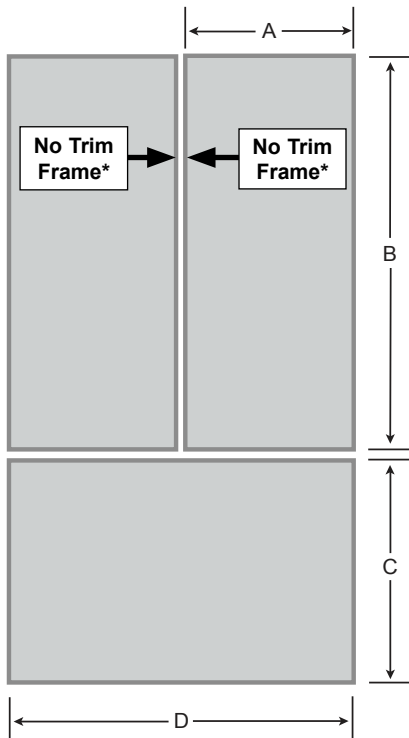
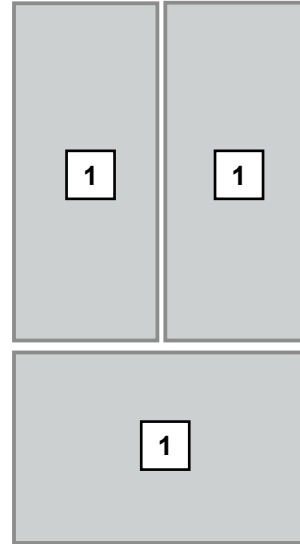
Integrated Panel Specifications (Model IF36BNNF Only)

Custom overlay panels used with model IF36BNNF allow you to blend the exterior of your refrigerator into the overall kitchen décor and to use custom handles for additional design flexibility.

IMPORTANT: See Dacor Custom Overlay Panel Installation Instructions (PN 100504) for complete fabrication and installation instructions. Modification to the dimensions above may be required to allow for door swing and other considerations depending on the location and type of cabinet installation.

| Panel Maximum Weight Specifications | |
|-------------------------------------|---------------|
| 1 | 15 lb. (7 kg) |

MODEL IF36BNNF - DOOR PANEL WEIGHT SPECIFICATIONS



| Backing Panel (Thickness = 1/4") | |
|----------------------------------|---------------------|
| A* | 17 7/8" (45.4 cm) |
| B | 42" (106.7 cm) |
| C | 23 13/16" (60.5 cm) |
| D | 36 3/16" (91.9 cm) |

| Spacer Panel - Routed Area (Thickness = 1/8") | |
|---|---------------------|
| A* | 17 5/8" (44.8 cm) |
| B | 41 1/2" (105.4 cm) |
| C | 23 5/16" (59.2 cm) |
| D | 35 11/16" (90.6 cm) |

| Front Panel (Thickness = 3/4") | |
|--------------------------------|---------------------|
| A* | 18 1/8" (46.0 cm) |
| B | 42 3/16" (107.2 cm) |
| C | 24" (61.0 cm) |
| D | 36 1/2" (92.7 cm) |

* On the two top doors, there are no trim frames on the inner edges of each door. All inner door panel surfaces must be completely finished for a refined look. Stated dimensions are to the finished edge.

MODEL IF36BNNF - PANEL DIMENSIONS

EF36BNNF and IF36BNNF



36 Inch Wide Freestanding Refrigerator

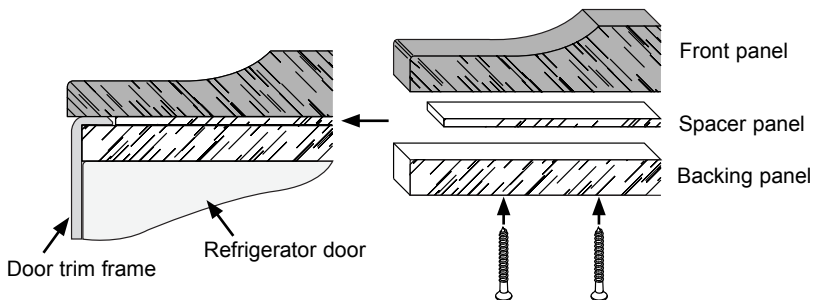
PLANNING GUIDE

Integrated Panel Specifications - Continued (Model IF36BNNF Only)

Installation may be accomplished using various methods. Below are three examples.

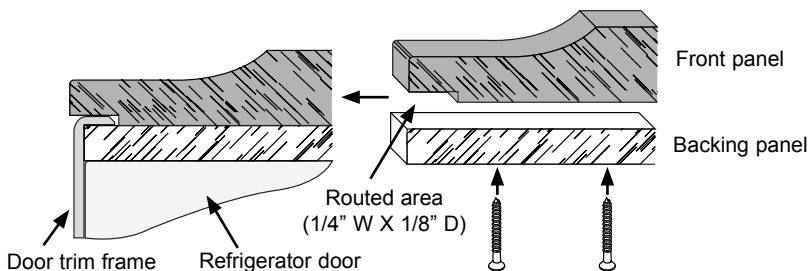
Three Panel Method

The backing panel (1/4" [6 mm] thick) slides behind the trim frames that surround the edges of each door. The spacer (1/8" [3 mm] thick) compensates for the thickness of the trim frame. The decorative front panels (3/4" [19 mm] thick maximum) are designed to match the surrounding cabinets and cover the trim frame around the edges of the door. Countersink the screws used to assemble the panels.



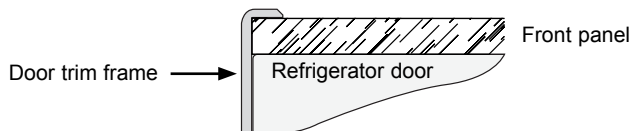
Routed Raised Panel Method

Create a routed raised panel and screw or glue the front panel directly to the 1/4" thick backing panel. Instead of using a spacer panel, route the edges of the front panel to compensate for the trim frame thickness. For the top two doors on three door models, do not route the inner edges because there are no trim frames in the center where the doors come together. Countersink the screws used to assemble the panels.



Single Panel Method

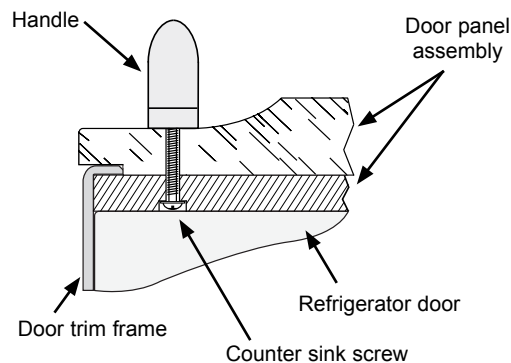
A single 1/4" panel design can be created using the trim frames to frame the panel (the trim frames will be exposed).



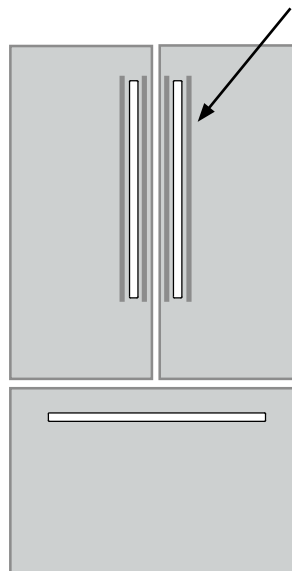
IF36BNNF - Handle Configuration

- ◇ Before installing a custom panel assembly, you must install the custom handle hardware. The handle and handle mounting hardware are not provided with the refrigerator.
- ◇ Dacor recommends handles with larger D-style pulls. Any handle designed for use with an appliance should produce satisfactory results. Handle kits are available through your Dacor dealer.
- ◇ Handle kits do not include the necessary mounting screws because the screw length required varies with the total thickness of the panels. The panel craftsman must determine and obtain the proper mounting screws for the application. If using screws with thick heads, they must be countersunk into the panel before installing the handles.

IMPORTANT: Dacor does not advise the use of single pull knobs.



Apply thin double sided tape to the back of the upper panel assemblies on both sides of the handles.



Free Manuals Download Website

<http://myh66.com>

<http://usermanuals.us>

<http://www.somanuals.com>

<http://www.4manuals.cc>

<http://www.manual-lib.com>

<http://www.404manual.com>

<http://www.luxmanual.com>

<http://aubethermostatmanual.com>

Golf course search by state

<http://golfingnear.com>

Email search by domain

<http://emailbydomain.com>

Auto manuals search

<http://auto.somanuals.com>

TV manuals search

<http://tv.somanuals.com>