

Dell Professional Sound Bar AE515 User's Guide

Regulatory model: AE515



Notes, cautions, and warnings



NOTE: A NOTE indicates important information that helps you make better use of your computer.



CAUTION: A CAUTION indicates either potential damage to hardware or loss of data and tells you how to avoid the problem



WARNING: A WARNING indicates a potential for property damage, personal injury, or death.

Copyright © 2017 Dell Inc. All rights reserved. This product is protected by U.S. and international copyright and intellectual property laws. Dell™ and the Dell logo are trademarks of Dell Inc. in the United States and/or other jurisdictions. All other marks and names mentioned herein may be trademarks of their respective companies.


2017 - 01

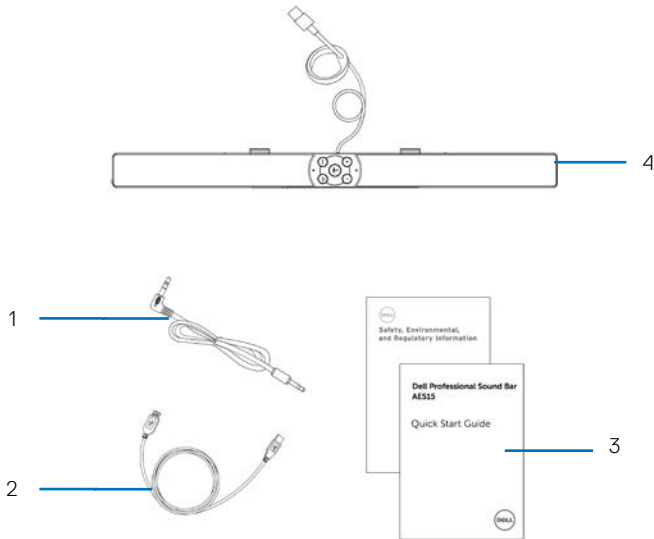
Rev. A00

Contents

What's in the box.....	4
Features	5
Setting up your speaker	6
Installing the Sound bar to your Dell monitor.....	6
Powering on your speaker	7
Connecting your speaker	8
Audio-in port.....	8
Answering Skype for Business calls	10
Making Skype for Business calls.....	11
Adjusting the volume	12
Troubleshooting.....	13
Specifications	17
Statutory information.....	18
Warranty	18

What's in the box

 **NOTE:** The documents that shipped with the speaker may vary based on your region.



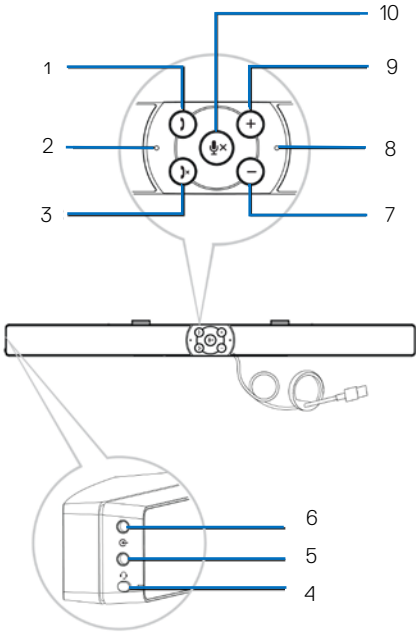
1 Audio cable

2 USB cable

3 Documents

4 Sound bar

Features

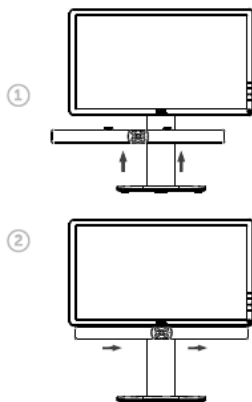


- | | | | |
|---|-------------------------|----|-------------|
| 1 | Call pick up | 6 | Aux-in |
| 2 | Microphone | 7 | Volume down |
| 3 | Call hang up | 8 | Microphone |
| 4 | Default Playback button | 9 | Volume up |
| 5 | Headphone | 10 | Mic mute |

Setting up your speaker

Installing the Sound bar to your Dell monitor

- 1 Hold the sound bar and push the hook into the monitor slot.
- 2 Slide the sound bar to the right to engage the hook into the monitor slot.

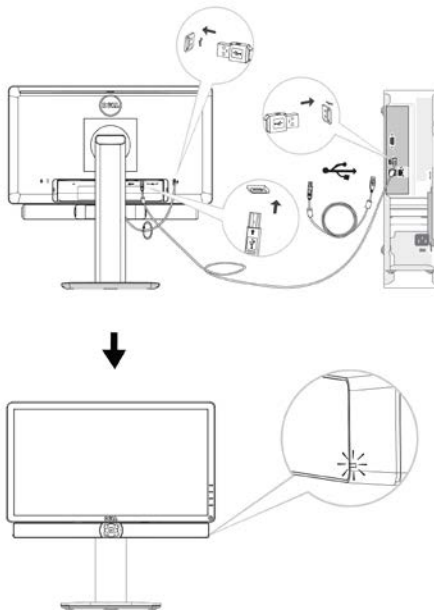


Powering on your speaker



NOTE: If the sound bar is not detected, connect the uplink cable that came with your Dell monitor. Connect one end of the uplink cable to the USB port on the Dell monitor and the other end to the USB port on your Dell computer.

- 1 Plug the USB cable connected to the sound bar into the USB port of the Dell Monitor.
- 2 The sound bar will automatically power on once the system is powered up. The light on the right of the sound bar turns solid white.



Connecting your speaker

Use the audio in or aux-in jack to connect your audio device (tablet, smart phone) to your Dell sound bar.

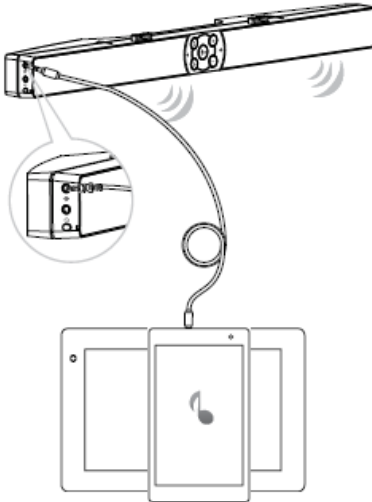
Audio-in port

You can play audio using the audio-in cable that came with your speaker.

- 1 Connect the audio-in cable to the aux-in port on the left sound bar.
- 2 Connect the other end of the audio-in cable to your audio device.
- 3 Play music and adjust the volume as desired.




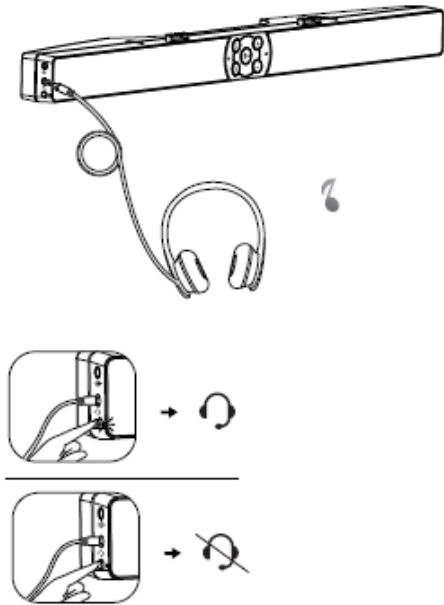
NOTE: When audio in is the default playback device, the light on the microphone button turns solid red. The sound bar microphone cannot be used in this playback mode.



Headphone jack

- 1 Connect the headphone to the headphone jack on the sound bar.
- 2 Play music and adjust the volume as desired.
- 3 Press the Default playback button on the left side of the sound bar to toggle between the speaker and headphone.

 NOTE: The Default playback button is disabled when the headphone is not connected to the sound bar.



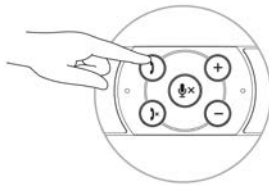
Answering Skype for Business calls

- 1 Press the call button.

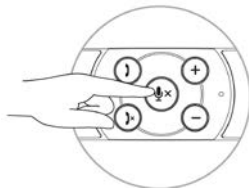


NOTE: The light indicator on Call pick-up button slow blinks when there is an incoming call on Skype for Business and other supported software.

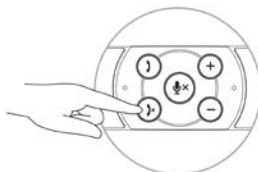
- 2 Press the call hang-up button to end the call.
- 3 Press the mic mute button to mute the microphone on the sound bar. Pressing the mic mute button again will unmute the microphone on the sound bar.



Answering a call



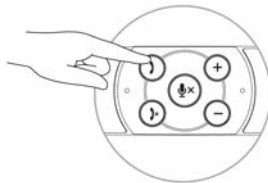
Muting the mic



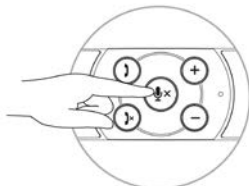
Hang-up the call

Making Skype for Business calls

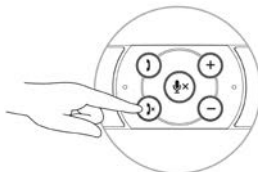
- 1 Press the call button to open up Skype for Business.
- 2 Initiate a call via the Skype for Business application on your computer.
- 3 Press the call hang-up button to end the call.
- 4 Press the mic mute button to mute the microphone on the sound bar. Pressing the mic mute button again will unmute the microphone on the sound bar.



Making a call



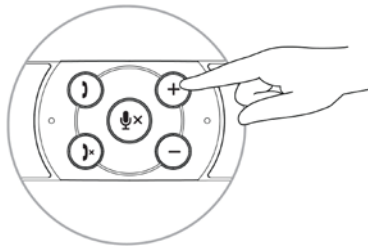
Muting the mic



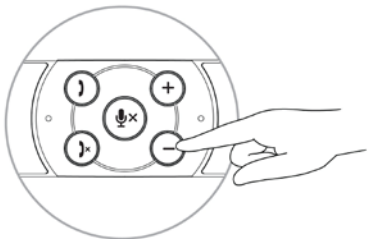
Hang-up the call

Adjusting the volume

- 1 Press the + button to turn the volume up. A soft dual tone can be heard when the speaker is at the maximum volume.
- 2 Press the - button to turn the volume down. A soft single tone can be heard when the speaker is at the minimum volume.



Volume up



Volume down

Troubleshooting

Problems

No sound

Possible causes

No sound from the external audio source

Possible solutions

- Check if the 3.5 mm aux-in cable is inserted in the speaker aux-in port.
- Unplug the 3.5 mm aux-in cable from the aux-in jack and insert the cable again.
- Check if the audio source is powered on.
- Make sure that the audio device volume is not set to 0%.
- Try a known good speaker or audio source.

Abnormal sound

Distorted or buzzing sound

- Clear any obstructions between the sound bar and the user.
- In aux-in mode, ensure that the 3.5 mm plug is completely inserted on the aux-in port of the sound card.
- Decrease the volume of the audio application or music player.
- Turn the volume level to lower setting by pressing the - button on the sound bar.
- Test the speaker using another audio source (for example, a portable CD player or an MP3 player).

Unbalanced sound output

Sound is coming from only one side of the sound bar

- Clear any obstructions between the sound bar and the user.
- In aux-in mode, ensure that the 3.5 mm plug is completely inserted in the aux-in port of the sound bar or audio source.
- Set the Windows audio balance controls for left and right speaker.
- Clean and reseat all cables.
- Test the sound bar using another audio source (for example, a portable CD player or an MP3 player).

Low volume

Volume is too low

- Clear any obstructions between the sound bar and the user.
- Turn the volume to a higher level by pressing the + button on the sound bar.
- Set all Windows volume controls to their maximum.
- Increase the volume of the audio application.
- Test the sound bar using another audio source (for example, a portable CD player or an MP3 player).

Aux-in no sound

No sound using the aux-in mode

- Make sure that the aux-in cable is properly plugged in the sound bar aux-in port and to the aux-out jack of the audio device.

Aux-in distortion	Aux-in cable is not properly plugged in	<ul style="list-style-type: none"> • Try a known good aux-in cable. • Check if the audio device is powered on or is playing music. • Make sure that the audio device volume is not set to 0%. • Try a known good speaker or audio source. <ul style="list-style-type: none"> • Clear any obstructions between the sound bar and the user. • Ensure that the aux-in plug is completely inserted into the aux-out port of the audio source. • Decrease the volume of the audio source. • Turn the volume level to a lower setting by pressing the - button on the sound bar. • Clean and reseal the cables. • Make sure no loose objects are touching the sound bar.
Headphone jack is connected, but no sound is heard	Computer audio player is playing	<ul style="list-style-type: none"> • Make sure that the platform music player audio volume is not set to 0% • Increase the volume of the sound bar. • Press the default playback function button on the sound bar.

Headphone abnormal Audio distortion
sound

- Check if the headphone plug is properly inserted into the speaker headphone jack.
- Check if the headphone plug has intermittent connection.
- Check if the music file is not distorted when playing without the headphone or connected to a known good headphone.

Specifications

General

Model number	AE515
Connection type	USB cable Audio cable

Electrical

Operating voltage	5 V
Operating current	500 mA
Audio Input	Audio Input Analog Audio Aux-in (3.5mm jack)
Output Power	2 x 1.8W @ $\leq 10\%$ THD (USB3.0) 2 x 1.0W @ $\leq 10\%$ THD (USB2.0)
SPL	84dB ± 3 dB

Physical Characteristics

Sound bar dimensions:

Width	443 mm (17.441 in)
Height	35 mm (1.378 in)
Depth	60.43 mm (2.379 in)
Weight	440 g (0.97 lb)

Statutory information

Warranty

Limited warranty and return policies

Dell-branded products carry a 1-year limited hardware warranty. If purchased together with a Dell system, it will follow the system warranty.

For U.S. customers:

This purchase and your use of this product are subject to Dell's end user agreement, which you can find at [Dell.com/terms](https://www.dell.com/terms). This document contains a binding arbitration clause.

For European, Middle Eastern and African customers:

Dell-branded products that are sold and used are subject to applicable national consumer legal rights, the terms of any retailer sale agreement that you have entered into (which will apply between you and the retailer) and Dell's end user contract terms.

Dell may also provide an additional hardware warranty—full details of the Dell end user contract and warranty terms can be found by going to [Dell.com](https://www.dell.com), selecting your country from the list at the bottom of the “home” page and then clicking the “terms and conditions” link for the end user terms or the “support” link for the warranty terms.

For non-U.S. customers:

Dell-branded products that are sold and used are subject to applicable national consumer legal rights, the terms of any retailer sale agreement that you have entered into (which will apply between you and the retailer) and Dell's warranty terms. Dell may also provide an additional hardware warranty

—full details of Dell's warranty terms can be found by going to [Dell.com](https://www.dell.com), selecting your country from the list at the bottom of the “home” page and then clicking the “terms and conditions” link or the “support” link for the warranty terms.

Free Manuals Download Website

<http://myh66.com>

<http://usermanuals.us>

<http://www.somanuals.com>

<http://www.4manuals.cc>

<http://www.manual-lib.com>

<http://www.404manual.com>

<http://www.luxmanual.com>

<http://aubethermostatmanual.com>

Golf course search by state

<http://golfingnear.com>

Email search by domain

<http://emailbydomain.com>

Auto manuals search

<http://auto.somanuals.com>

TV manuals search

<http://tv.somanuals.com>