

Congratulations on your purchase of a high-quality Insignia product. Your NS-HT511 represents the state of the art in home theater system design and is designed for reliable and trouble-free performance.

### Package contents

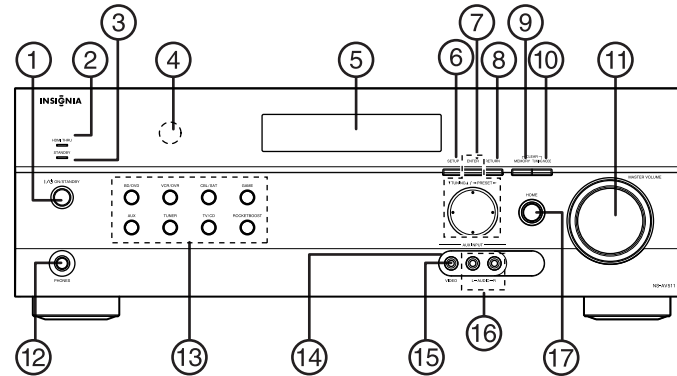
- Surround Sound Receiver (NS-AV511)
- Front speakers (2)
- Center speaker
- Surround speakers (2)
- Subwoofer
- Remote control
- AA batteries (2)
- FM antenna
- AM antenna
- Color labels for speaker cables
- Speaker cables:
- 11 ft. (3)
- 26 ft. (2)
- RCA cable 10 ft.
- Rubber spacers for speakers (20)
- User Guide
- Quick Setup Guide

### Back view features

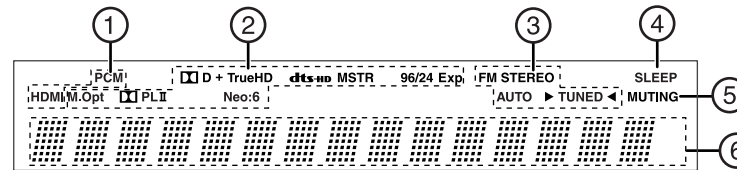
ITEM	DESCRIPTION	FUNCTION
1	DIGITAL IN jacks	Plug the optical digital cable from a game (1) or TV/CD (2) into the upper jacks, or the coaxial digital cable from a BD/DVD into the lower jack.
2	HDMI jacks	Plug the HDMI signal input cable from a GAME (IN4), CBL/SAT (IN3), VCR/DVR (IN2), BD/DVD (IN1). Plug the HDMI output signal cable to a TV or monitor into the OUT jack.
3	ANTENNA connectors	Connect a 75 ohm FM antenna to the coaxial connector or an AM loop antenna to the wire connectors.
4	FRONT SPEAKERS SURROUND SPEAKERS CENTER SPEAKER	Connect the front speakers to these jacks. Connect the left and right surround speakers and the center speaker to these connectors. If you use the RF-RBCARD to connect your surround speakers, do not connect them here.
5	AC power cord	Plug this cord into an AC power outlet.
6	COMPONENT video jacks	Plug the cables from a component video source into the #1 (BD/DVD) or #2 (CBL/SAT) jacks. Plug the cables to a component video monitor into the OUT jacks. The jacks are color coded (red, green, and blue) to correspond to the cable connectors.
7	Composite Video and Audio L/R jacks	Plug the composite video and audio L/R output cables from the indicated devices into these jacks. For video recording, plug the composite video and audio L/R input cables to a VCR or DVR into the OUT jacks
8	MONITOR OUT V (Video)	Connect this jack to a TV monitor.
9	SUBWOOFER	Connect the subwoofer to this jack.

### Features

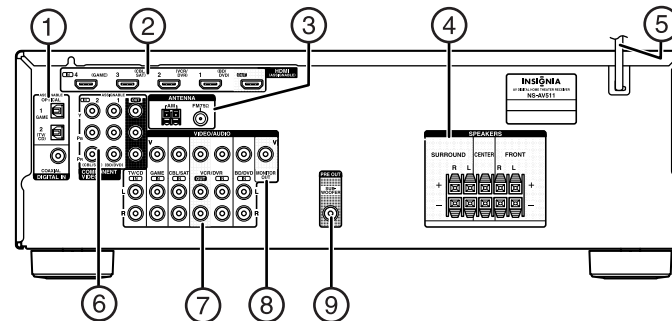
#### Front controls



#### Fluorescent display



#### Back view



#### Front controls features

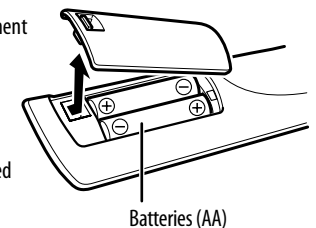
ITEM	DESCRIPTION	FUNCTION
1	ON/STANDBY button	Press to turn on your stereo receiver.
2	HDMI THRU indicator	Lights when the HDMI pass-through function is activated in standby mode.
3	STANDBY indicator	Lights red when your stereo receiver is in standby mode.
4	Remote control sensor	Receives the signal from the remote control.
5	Display	Provides information about receiver functions and settings.
6	SETUP button	Press to open the on-screen menus.
7	TUNING ▲ / ▼ PRESET ◀ / ▶ ENTER	Press <b>TUNING ▲ / ▼</b> to tune the radio to the next or previous station Press <b>PRESET ◀ / ▶</b> to tune the radio to the next or previous station preset. Press <b>ENTER</b> to confirm a selection.
8	RETURN button	In menu mode, press to return to the main menu.
9	MEMORY button	Press to save a radio station preset. Press with the <b>TUNING MODE</b> button to clear presets.
10	TUNING MODE button	Press to turn on the receiver tuning mode and listen to the radio. Press with the <b>MEMORY</b> button to clear presets.
11	MASTER VOLUME knob	Turn to increase or decrease the volume.
12	Headphone jack	Plug your headphones into this jack.
13	Input selector buttons	Press to select the input signal source you want.
14	Protective cap	Remove when using jack.
15	AUX INPUT VIDEO jack	Plug an external video source into this jack.
16	AUX INPUT AUDIO L/R jacks	Plug an external sound source into this jack.
17	HOME button	Press to access audio settings.

#### Fluorescent display features

ITEM	DESCRIPTION	ITEM	DESCRIPTION
1	Audio input indicator	5	MUTING indicator
2	Listening mode indicator	6	DIGITAL display
3	Tuning indicators		
4	SLEEP indicator		

#### Installing batteries in the remote control

- 1 Remove the cover.
  - 2 Insert two AA batteries into the compartment matching the polarity indicated.
  - 3 Replace the cover.
- CAUTION:** Do not use Ni-Cd rechargeable batteries in this remote control. Remove the batteries if they are not to be used for an extended period of time.



# Setting up your home theater system

## 1 Finding a location for your home theater system

- Install your home theater system on a stable flat surface. Position your receiver so that it has a direct line of sight to the remote control.
- Do not expose your system to extremes of temperature or humidity.
- Avoid placing your system on a hot surface such as on top of other hot running equipment. Make sure that there is adequate ventilation to your system.

**CAUTION:** Connect the AC cord only after the speakers, antenna, and all optional equipment have been connected. Never make or change any connections with the power turned on.

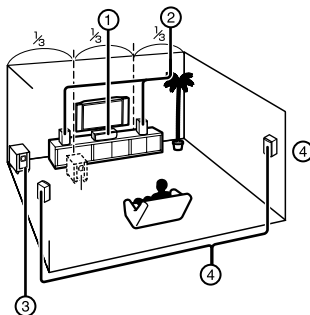
## 2 Placing your speakers

### 1 Center speaker

This speaker enhances the front speakers, making sound movements distinct and providing a full-sound image. In movies it is used mainly for dialog. Position it close to your TV facing forward at about ear level, or at the same height as the front speakers.

### 2 Front speakers

These provide the overall sound. Their role in a home theater system is to provide a solid anchor for the sound image. They should be positioned facing the listener at about ear level, and equidistant from the TV. Angle them inward so as to create a triangle, with the listener at the apex.



### 3 Subwoofer

The subwoofer handles the bass sounds of the LFE (Low-Frequency Effects) channel. The volume and quality of the bass output from your subwoofer will depend on its position, the shape of your listening room, and your listening position. In general, a good bass sound can be obtained by installing the subwoofer in a front corner, or at one-third the width of the wall, as shown.

### 4 Surround speakers

These speakers are used for precise sound positioning and to add realistic ambience. Position them at the sides of the listener, or slightly behind, about two to three feet (60 to 100 cm) above ear level. Ideally they should be equidistant from the listener.

For additional information on setting up your speakers, refer to the *User Guide*.

## 3 Connecting your speakers to the receiver

### Speaker configuration

The following table indicates the channels you should use depending on the number of speakers that you have. For 5.1-channel surround-sound playback, you need five speakers and a powered subwoofer.

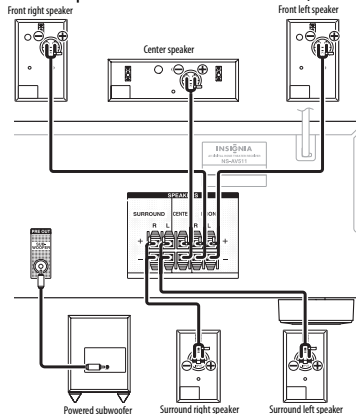
For additional information on configuring your speakers, refer to the *User Guide*.

Number of channels	2	3	4	5
Front speakers	X	X	X	X
Center speaker		X	X	
Surround speakers			X	X

### To connect the speaker cables:

- 1 Strip 1/2" to 5/8" (12 to 15 mm) of insulation from the ends of the speaker cables, and twist the bare wires tightly together. (Supplied speaker cables are already stripped.)
- 2 Push in on the speaker terminals on the receiver and insert the speaker wires into the terminals. The following illustration shows which speaker should be connected to each pair of terminals.
- 3 Release the terminals to secure the wire.

- 4 Press and hold the push-terminals on each speaker and insert the speaker wire, then release the push-terminal to secure the wire (black wires go to the negative (-) terminals).



To connect the subwoofer: Using the subwoofer RCA cable, connect the receiver's SUBWOOFER PRE OUT jack to the powered subwoofer, as shown.

## 4 Connecting devices

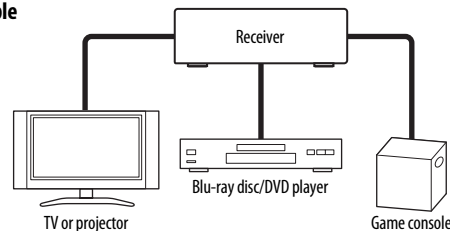
### Connecting the antenna

**Note:** The receiver won't pick up any radio signals without any antenna connected, so you must connect the antenna to use the tuner.

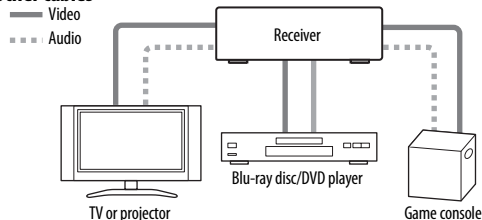
- 1 Connect the FM antenna to your receiver.
- 2 Connect the AM loop antenna to the receiver.

### Connecting audio components

#### HDMI cable



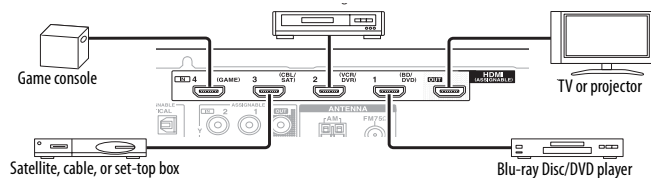
#### Other cables



For additional information on deciding which connections to use, refer to the *User Guide*.

### Connecting components with HDMI

VCR or DVD recorder/Digital Video Recorder

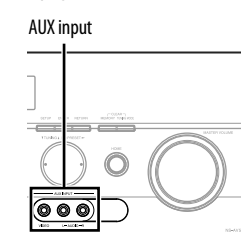


Connect your components to the appropriate jacks.

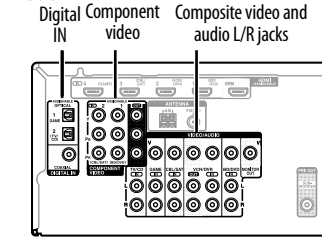
For information on assigning inputs, see "Setting up HDMI input (HDMI Input menu)" in your *User Guide*. Download from [www.Somanuals.com](http://www.Somanuals.com). All Manuals Search And Download.

## Connecting external components

### Front



### Back



Connect your components to the appropriate jacks.

For information on assigning inputs, see "Setting up HDMI input (HDMI Input menu)" in your *User Guide*.

## 5 Connecting the power

- Plug the power cord into an AC outlet.



**Rocketboost™ Wireless Card Ready**  
Installing a Rocketboost Wireless Card (sold separately) enables this product to send and receive wireless audio with your other Rocketboost products. For instructions on setting up Rocketboost, see your user guide.  
CARD READY  
card sold separately

## Troubleshooting

For information on troubleshooting, refer to the *User Guide*.

## Specifications

For information on specifications, refer to the *User Guide*.

## FCC Part 15

This device complies with Part 15 of the FCC Rules.

## FCC warning

Changes or modifications not expressly approved by the party responsible for compliance with the FCC Rules could void the user's authority to operate this equipment.

## ICES-003 Class B Notice

This Class B digital apparatus complies with Canadian ICES-003.

## One-year limited warranty

Visit [www.insigniaproducts.com](http://www.insigniaproducts.com) for details.

## Contact Insignia:

For customer service please call 1-877-467-4289

[www.insigniaproducts.com](http://www.insigniaproducts.com)

Distributed by Best Buy Purchasing, LLC

7601 Penn Avenue South, Richfield, Minnesota, U.S.A. 55423-3645

## Free Manuals Download Website

<http://myh66.com>

<http://usermanuals.us>

<http://www.somanuals.com>

<http://www.4manuals.cc>

<http://www.manual-lib.com>

<http://www.404manual.com>

<http://www.luxmanual.com>

<http://aubethermostatmanual.com>

Golf course search by state

<http://golfingnear.com>

Email search by domain

<http://emailbydomain.com>

Auto manuals search

<http://auto.somanuals.com>

TV manuals search

<http://tv.somanuals.com>