

# TECHNICAL MANUAL

FOR JACKSON MODEL:

## JPX-300NSU



August 16, 2005  
P/N 7610-002-75-96 (Revision E)

Jackson MSC Inc.  
P.O. Box 1060  
Barbourville, KY. 40906  
(606) 523-9795  
Fax: (606) 523-9196  
[www.jacksonmsc.com](http://www.jacksonmsc.com)

## MANUFACTURERS WARRANTY

## ONE YEAR LIMITED PARTS & LABOR WARRANTY

ALL NEW JACKSON DISHWASHERS ARE WARRANTED TO THE ORIGINAL PURCHASER TO BE FREE FROM DEFECTS IN MATERIAL OR WORKMANSHIP, UNDER NORMAL USE AND OPERATION FOR A PERIOD OF (1) ONE YEAR FROM THE DATE OF PURCHASE, BUT IN NO EVENT TO EXCEED (18) EIGHTEEN MONTHS FROM THE DATE OF SHIPMENT FROM THE FACTORY.

Jackson MSC agrees under this warranty to repair or replace, at its discretion, any original part which fails under normal use due to faulty material or workmanship during the warranty period, providing the equipment has been unaltered, and has been properly installed, maintained and operated in accordance with the applicable factory instruction manual furnished with the machine and the failure is reported to the authorized service agency within the warranty period. This includes the use of factory specified genuine replacement parts, purchased directly from a Jackson authorized parts distributor or service agency. Use of generic replacement parts may create a hazard and void warranty certification.

The labor to repair or replace such failed part will be paid by Jackson MSC, within the continental United States, Hawaii and Canada, during the warranty period provided a Jackson MSC authorized service agency, or those having prior authorization from the factory, performs the service. Any repair work by persons other than a Jackson MSC authorized service agency is the sole responsibility of the customer. Labor coverage is limited to regular hourly rates, overtime premiums and emergency service charges will not be paid by Jackson MSC.

Accessory components not installed by the factory carry a (1) one year parts warranty only. Accessory components such as table limit switches, pressure regulators, pre rinse units, etc. that are shipped with the unit and installed at the site are included. Labor to repair or replace these components is not covered by Jackson MSC.

This warranty is void if failure is a direct result from shipping, handling, fire, water, accident, misuse, acts of god, attempted repair by unauthorized persons, improper installation, if serial number has been removed or altered, or if unit is used for purpose other than it was originally intended.

### TRAVEL LIMITATIONS

Jackson MSC limits warranty travel time to (2) two hours and mileage to (100) one hundred miles. Jackson MSC will not pay for travel time and mileage that exceeds this, or any fees such as those for air or boat travel without prior authorization.

### WARRANTY REGISTRATION CARD

The warranty registration card supplied with the machine must be returned to Jackson MSC within 30 days to validate the warranty.

### REPLACEMENT PARTS WARRANTY

Jackson replacement parts are warranted for a period of 90 days from the date of installation or 180 days from the date of shipment from the factory, whichever ever occurs first.

### PRODUCT CHANGES AND UPDATES

Jackson MSC reserves the right to make changes in design and specification of any equipment as engineering or necessity requires.

THIS IS THE ENTIRE AND ONLY WARRANTY OF JACKSON MSC. JACKSON'S LIABILITY ON ANY CLAIM OF ANY KIND, INCLUDING NEGLIGENCE, WITH RESPECT TO THE GOODS OR SERVICES COVERED HEREUNDER, SHALL IN NO CASE EXCEED THE PRICE OF THE GOODS OR SERVICES OR PART THEREOF WHICH GIVES RISE TO THE CLAIM.

THERE ARE NO WARRANTIES, EXPRESSED OR IMPLIED, INCLUDING FOR FITNESS OR MERCHANTABILITY, THAT ARE NOT SET FORTH HEREIN, OR THAT EXTEND BEYOND THE DURATION HEREOF. UNDER NO CIRCUMSTANCES WILL JACKSON MSC BE LIABLE FOR ANY LOSS OR DAMAGE, DIRECT OR CONSEQUENTIAL, OR FOR THE DAMAGES IN THE NATURE OF PENALTIES, ARISING OUT OF THE USE OR INABILITY TO USE ANY OF ITS PRODUCTS.

### ITEMS NOT COVERED

This warranty does not cover cleaning or deliming of the unit or any component such as, but not limited to, wash arms, rinse arms or strainers at anytime. Nor does it cover adjustments such as, but not limited to timer cams, thermostats or doors, beyond 30 days from the date of installation. In addition, the warranty will only cover the replacement of wear items such as curtains, drain balls, door guides or gaskets during the first 30 days after installation. Also, not covered are conditions caused by the use of incorrect (non-Commercial) grade detergents, incorrect water temperature or pressure, or hard water conditions.







## JPX-300NSU

JPX-300NSU - Hot water sanitizing, electrically-heated dishmachine,

Model: \_\_\_\_\_

Serial No.: \_\_\_\_\_

Installation Date: \_\_\_\_\_

Service Rep. Name: \_\_\_\_\_

Phone No.: \_\_\_\_\_



<u>SECTION</u>	<u>DESCRIPTION</u>	<u>PAGE</u>
<b>I.</b>	<b>SPECIFICATION INFORMATION</b>	
	Specifications	2
	Dimensions	3
<b>II.</b>	<b>INSTALLATION &amp; OPERATION INSTRUCTIONS</b>	
	Installation Instructions	5
	Electrical Installation Instructions	6
	Deck Mounting of Dishmachine	7
	Detergent Control	8
	Operation Instructions	9
<b>III.</b>	<b>PREVENTATIVE MAINTENANCE</b>	11
<b>IV.</b>	<b>TROUBLESHOOTING</b>	13
<b>V.</b>	<b>SERVICE PROCEDURES</b>	
	Rinse Solenoid Valve Repair Parts Kit	16
	Vacuum Breaker Repair Parts Kit	20
<b>VI.</b>	<b>PARTS SECTION</b>	
	Electric Panel Assembly	23
	Switch Panel Assembly	24
	Switch Panel Assembly (Stainless Steel Switches)	25
	Kick Panel Assembly	26
	Incoming Plumbing Assembly	27
	Solenoid Valve Repair Kit / Vacuum Breaker Repair Kit	30
	Drain Valve Assembly	31
	Drain Plumbing Assembly	32
	Wash Motor to Wash Tub Assembly	33
	Rinse Tank & Components	34
	Door Assembly	35
	Rinse Arm & Wash Arm Assemblies	36
	Miscellaneous Parts	37
	Frame & Panel Components	38
<b>VII.</b>	<b>ELECTRICAL SCHEMATICS</b>	
	460 V, 60 HZ, three phase	40
	460 V, 60 HZ, three phase (with Stainless Steel Switches)	41

---

**THIS PAGE IS INTENTIONALLY LEFT BLANK**

---

# **SECTION 1: SPECIFICATION INFORMATION**

**SECTION 1: SPECIFICATION INFORMATION**

**SPECIFICATIONS**

**PERFORMANCE/CAPABILITIES**

**OPERATING CAPACITY (RACKS/HOUR)**

RACKS PER HOUR	30
DISHES PER HOUR	600
GLASSES PER HOUR	600

**OPERATING CYCLE (SECONDS)**

WASH TIME	82
DRAIN TIME	28
RINSE TIME	10
TOTAL CYCLE TIME (MINUTES)	2

**5 MINUTE TIMER OPERATING CYCLE (SECONDS)**

WASH TIME	262
DRAIN TIME	28
RINSE TIME	10
TOTAL CYCLE TIME (MINUTES)	5

**TANK CAPACITY (GALLONS)**

WASH TANK	5.65
RINSE TANK	3

**WASH PUMP CAPACITY**

GALLONS PER MINUTE	60
--------------------	----

**TEMPERATURES**

WASH---°F (MINIMUM)	150
RINSE---°F	180-195

**ELECTRICAL REQUIREMENTS**

WASH PUMP MOTOR HORSEPOWER	3/4
----------------------------	-----

<u>VOLTS</u>	<u>PH</u>	<u>HZ</u>	<u>RINSE HEATER RATINGS</u>	<u>TOTAL AMPS</u>	<u>TYPICAL ELECTRICAL CIRCUIT</u>
460	3	60	8.2KW @ 460V	11 A	15 AMP
460	3	60	10KW @ 460V	14 A	20 AMP

**WATER REQUIREMENTS**

INLET TEMPERATURE (40° BOOSTER)	140°F
INLET TEMPERATURE (70° BOOSTER)	110°F
GALLONS PER HOUR	52.3
WATER LINE SIZE NPT (MINIMUM)	1/2"
DRAIN LINE SIZE NPT (MINIMUM)	1 1/2"
FLOW PRESSURE P.S.I.	20 ± 5
FLOW, GALLONS PER MINUTE	7.1

**FRAME DIMENSIONS**

HEIGHT, MINIMUM	33 1/4"
HEIGHT, MAXIMUM	34 1/4"
WIDTH	24 1/4"
DEPTH	22 5/8"
MAXIMUM INSIDE CLEARANCE HEIGHT	14 1/2"
MAXIMUM INSIDE CLEARANCE WIDTH	20 1/4"
MAXIMUM INSIDE CLEARANCE DEPTH	21 1/4"
DOOR OPEN DEPTH	39 1/2"
CLEARANCE, WALL TO MACHINE	2 1/2"

**NOTE: Always refer to the machine data plate for specific electrical and water requirements. The material provided on this page is for reference only and may be subject to change without notice.**



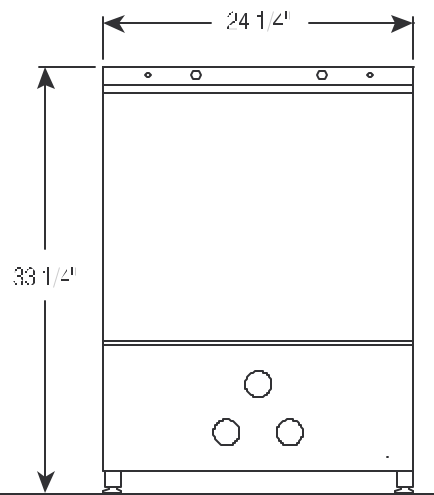
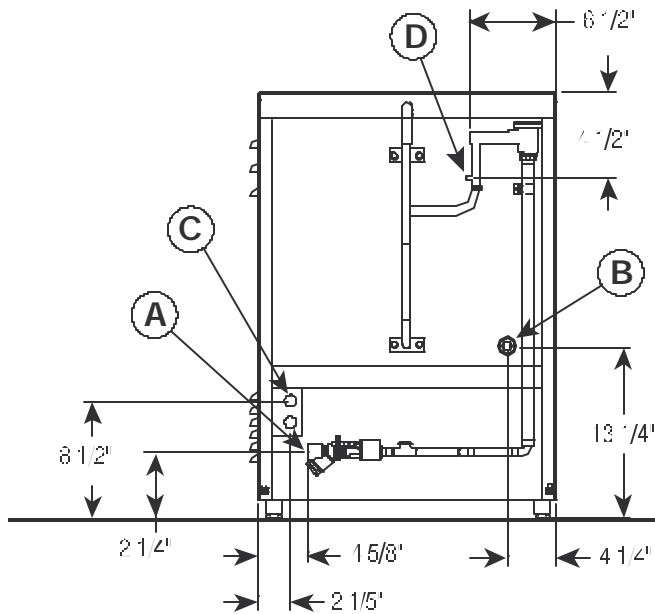
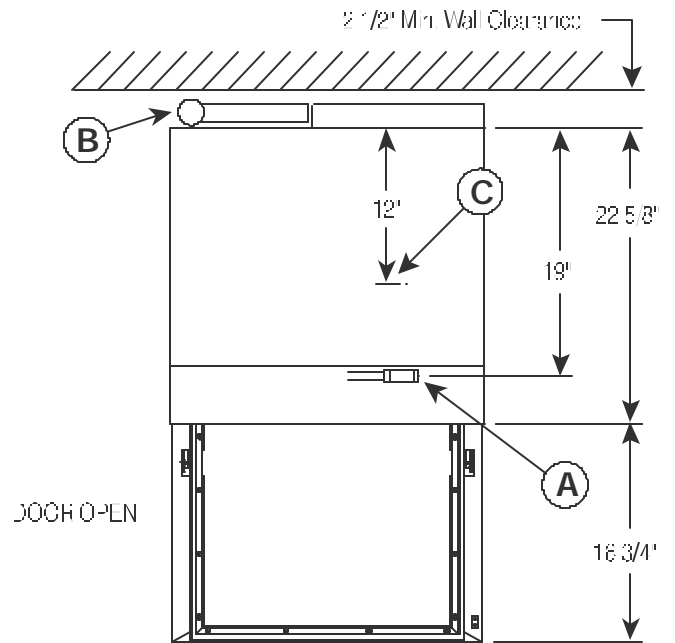


**SECTION 1: SPECIFICATION INFORMATION**

**DIMENSIONS**

**LEGEND**

- A - Water Inlet 1/2" ID Female Pipe Thread, 2 1/2"
- B - Chemical Feeder Connection
- C - Electrical Connection.
- B - Rinse Additive Connection



**DIMENSIONS**

Height (minimum):	33 1/4"	Inside Clearance Height:	14 1/2"
Height (maximum):	34 1/4"	Inside Clearance Width:	20 1/4"
Width:	24 1/4"	Inside Clearance Depth:	21 1/4"
Depth:	22 5/8"	Door Open Depth:	39 1/2"
Wall Clearance (minimum):	2 1/2"		

---

# **SECTION 2: INSTALLATION/OPERATION INSTRUCTIONS**

## SECTION 2: INSTALLATION & OPERATION INSTRUCTIONS

### INSTALLATION INSTRUCTIONS

Jackson MSC Inc. provides technical support for all of the dishmachines detailed in this manual. We strongly recommend that you refer to this manual before making a call to our technical support staff. Please have this manual with you when you call so that our staff can refer you, if necessary, to the proper page. Technical support is available from 8:00 a.m. to 5:00 p.m. (EST), Monday through Friday. Technical support is not available on holidays. Contact technical support toll free at 1-888-800-5672. Please remember that technical support is available for service personnel only.

**This equipment is not recommend for use with deionized water or other aggressive fluids. Use of deionized water or other aggressive fluids will result in corrosion and failure of materials and components. Use of deionized water or other aggressive fluids will void the manufacturer's warranty.**

**VISUAL INSPECTION:** Before installing the unit, check the container and machine for damage. A damaged container is an indicator that there may be some damage to the machine. If there is damage to both the container and machine, do not throw away the container. The dishmachine has been inspected and packed at the factory and is expected to arrive to you in new, undamaged condition. However, rough handling by carriers or others may result in there being damage to the unit while in transit. If such a situation occurs, do not return the unit to Jackson; instead, contact the carrier and ask them to send a representative to the site to inspect the damage to the unit and to complete an inspection report. You must contact the carrier within 48 hours of receiving the machine. Also, contact the dealer through which you purchased the unit.

**UNPACKING THE DISHMACHINE:** Once the machine has been removed from the container, ensure that there are no missing parts from the machine. This may not be obvious at first. If it is discovered that an item is missing, contact Jackson immediately to have the missing item shipped to you.

**LEVEL THE DISHMACHINE:** The dishmachine is designed to operate while being level. This is important to prevent any damage to the machine during operation and to ensure the best results when washing ware. The unit comes with adjustable bullet feet, which can be turned using a pair of channel locks or by hand if the unit can be raised safely. Ensure that the unit is level from side to side and from front to back before making any connections.

**PLUMBING THE DISHMACHINE:** All plumbing connections must comply with all applicable local, state, and national plumbing codes. The plumber is responsible for ensuring that the incoming water line is thoroughly flushed prior to connecting it to any component of the dishmachine. It is necessary to remove all foreign debris from the water line that may potentially get trapped in the valves or cause an obstruction. Any valves that are fouled as a result of foreign matter left in the water line, and any expenses resulting from this fouling, are not the responsibility of the manufacturer.

**CONNECTING THE DRAIN LINE:** The JPX-300NSU machine is a pumped (pressure) drain capable of pumping waste water to a height of 24 inches from the floor to the kitchen's drain system. The dishmachine is supplied with a 10 foot long hose that extends from the rear side of the machine. There must also be an air gap between the machine drain line and the floor sink or drain. If a grease trap is required by code, it should have a flow capacity of 12 gallons per minute.

**WATER SUPPLY CONNECTION:** Ensure that you have read the section entitled "PLUMBING THE DISHMACHINE" above before proceeding. Install the water supply line (1/2" ID pipe size minimum)

to the dishmachine line strainer using copper pipe. It is recommended that a water shut-off valve be installed in the water line between the main supply and the machine to allow access for service. The water supply line is to be capable of 20 ±5 PSI "flow" pressure at the recommended temperature indicated on the data plate.

Do to areas where the water pressure fluctuates or is greater than the recommended pressure, it is recommended installing supplied water pressure regulator. Do not confuse static pressure with flow pressure. Static pressure is the line pressure in a "no flow" condition (all valves and services are closed). Flow pressure is the pressure in the fill line when the fill valve is opened during the cycle.

It is also recommended that a shock absorber (not supplied) be installed in the incoming water line. This prevents line hammer (hydraulic shock), induced by the solenoid valve as it operates, from causing damage to the equipment.

**PLUMBING CHECK:** Slowly turn on the water supply to the machine after the incoming fill line and the drain line have been installed. Check for any leaks and repair as required. All leaks must be repaired prior to placing the machine in operation.

## SECTION 2: INSTALLATION & OPERATION INSTRUCTIONS

---

### ELECTRICAL INSTALLATION INSTRUCTIONS

**ELECTRICAL POWER CONNECTION:** Electrical and grounding connections must comply with the applicable portions of the National Electrical Code ANSI/NFPA 70 (latest edition) and/or other electrical codes.

Disconnect electrical power supply and place a tag at the disconnect switch to indicate that you are working on the circuit.

The dishmachine data plate is located on the front of the machine. Refer to the data plate for machine operating requirements, machine voltage, total amperage load and serial number.

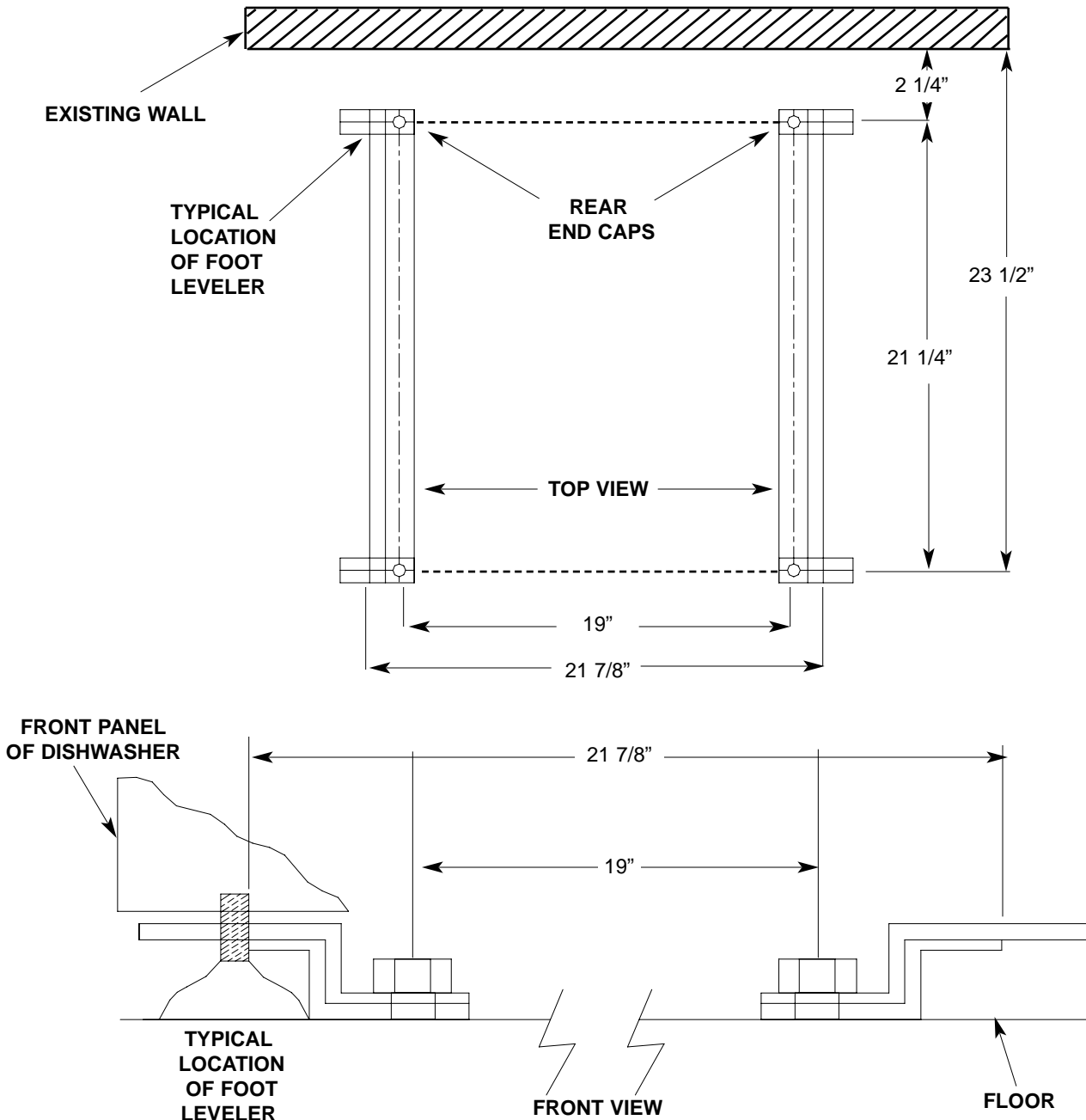
To install the incoming power lines, remove the kick panel. This will require taking a phillips head screwdriver and removing the two (2) 1/4 turn screws at the bottom of the kickplate; open the door slightly while carefully lifting the kickplate up and out of the way. Install 3/4" conduit into the pre-punched holes in the back of the control box. Route power wires and connect to power block and grounding lug. Install the service wires (L1, L2 and L3) to the appropriate terminals as they are marked on the terminal block. Install the grounding wire into the lug provided. It is recommended that "DE-OX" or another similar anti-oxidation agent be used on all power connections.

**VOLTAGE CHECK:** Ensure that the power switch is in the OFF position and apply power to the dishmachine. Check the incoming power at the terminal block and ensure it corresponds to the voltage listed on the data plate. If not, contact a qualified service agency to examine the problem. Do not run the dishmachine if the voltage is too high or too low. Shut off the service breaker and mark it as being for the dishmachine. Advise all proper personnel of any problems and of the location of the service breaker. Replace the control box cover and tighten down the screws.

## SECTION 2: INSTALLATION & OPERATION INSTRUCTIONS

### INSTALLATION INSTRUCTIONS (CONTINUED)

**DECK MOUNTING OF THE DISHMACHINE:** The dishmachine must be secured in place using the deck mounting tracks and caps provided with machine. Install the (4) adjustable feet provided into screw holes where shipping bolts were removed earlier. Adjust the level of the dishmachine by screwing the adjustable feet in or out. The front of the machine should be adjusted 1/4" to 1/2" higher than the back. Install the deck mounting hardware as shown in the drawing below, at the location where the dishmachine will be permanently positioned. Install 3/8" stainless steel lug bolts to secure tracks and caps to the deck. Drill holes into deck as shown below and insure rear holes are located 2-1/4" from the wall. The racks and rear end caps may be tightened at this time. Slide dishmachine onto tracks and into position at rear end caps. Install front end caps into place and adjust if necessary to remove any movement of machine; if possible, tack weld tracks to deck.



Detergent usage and water hardness are two factors that contribute greatly to how efficiently your dishmachine will operate. Using detergent in the proper amount can become, in time, a source of substantial savings. A qualified water treatment specialist can tell you what is needed for maximum efficiency from your detergent, but you should still know some basics so you'll understand what they are talking about.

First, you must understand that hard water greatly effects the performance of the dishmachine. Water hardness is the amount of dissolved calcium and magnesium in the water supply. The more dissolved solids in the water, the greater the water hardness. Hard water works against detergent, thereby causing the amount of detergent required for washing to increase. As you use more detergent, your costs for operating the dishmachine will increase and the results will decrease. The solids in hard water also may build-up as a scale on wash and rinse heaters, decreasing their ability to heat water. Water temperature is important in removing soil and sanitizing dishes. If the water cannot get hot enough, your results may not be satisfactory. This is why Jackson recommends that if you have installed the machine in an area with hard water, that you also install some type of water treatment equipment to help remove the dissolved solids from the water before it gets to the dishmachine.

Second, hard water may have you adding drying agents to your operating cycle to prevent spotting, when the real problem is deposited solids on your ware. As the water evaporates off of the ware, the solids will be left behind to form the spotting and no amount of drying agent will prevent this. Again, using treated water will undoubtedly reduce the occurrences of this problem.

Third, treated water may not be suitable for use in other areas of your operation. For instance, coffee made with soft water may have an acid or bitter flavor. It may only be feasible to install a small treatment unit for the water going into the dishmachine itself. Discuss this option with your qualified water treatment specialist.

Even after the water hardness problems have been solved, there still must be proper training of dishmachine operators in how much detergent is to be used per cycle. Talk with your water treatment specialist and detergent vendor and come up with a complete training program for operators. Using too much detergent has as detrimental effects as using too little. The proper amount of detergent must be used for job. It is important to remember that certain menu items may require extra detergent by their nature and personnel need to be made aware of this. Experience in using the dishmachine under a variety of conditions, along with good training in the operation of the machine, can go a long way in ensuring your dishmachine operates as efficiently as possible.

Certain dishmachine models require that chemicals be provided for proper operation and sanitization. Some models even require the installation of third-party chemical feeders to introduce those chemicals to the machine. Jackson does not recommend or endorse any brand name of chemicals or chemical dispensing equipment. Contact your local chemical distributor for questions concerning these subjects.

Some dishmachines come equipped with integral solid detergent dispensers. These dispensers are designed to accommodate detergents in a certain sized container. If you have such a unit, remember to explain this to your chemical distributor upon first contacting them.

As explained before, water temperature is an important factor in ensuring that your dishmachine functions properly. The data plate located on each unit details what the minimum temperatures must be for either the incoming water supply, the wash tank and the rinse tank, depending on what model of dishmachine you have installed. These temperatures may also be followed by temperatures that Jackson recommends to ensure the highest performance from you dishmachine. However, if the minimum requirements are not met, the chances are your dishes will not be clean or sanitized. Remember, a dish can look clean, but it may not be sanitized. Instruct your dishmachine operators to observe the required temperatures and to report when they fall below the minimum allowed. A loss of temperature can indicate a much larger problem such as a failed heater or it could also indicate that the hot water heater for your operation is not up to capacity and a larger one may need to be installed.

There are several factors to consider when installing your dishmachine to ensure that you get the best possible results from it and that it operates at peak efficiency for many years. Discuss your concerns with your local chemical distributor and water treatment specialist before there is a problem.

### OPERATION INSTRUCTIONS

**PREPARATION:** Before proceeding with the start-up of the unit, verify the following:

1. The strainer is in place and is clean.
2. That the wash and rinse arms are screwed securely into place and that their endcaps are tight. The wash and rinse arms should rotate freely.
3. Verify all chemical levels for machine chemical feeder pumps are correct.

**POWER UP:** To energize the unit, turn on the power at the service breaker. The voltage should have been previously verified as being correct. If not, the voltage will have to be verified.

**FILLING THE WASH TUB:** For the initial fill, close the door and ensure that the MANUAL switch light is not on. Depress and hold the START CYCLE switch until the auto light comes on and releases. For the initial fill, run the machine through 3 cycles to fill the tub sump. The machine will run a partial cycle and fill to the bottom of the pan strainer. Open the door and verify that the water level is correct.

**NOTE:** Ensure the orange/white wires at the heater contactor are connected properly. They have been purposely disconnected at the factory to avoid damage to the heater element when there is no water in the booster heater.

Hereafter, the water level is controlled by the timer that has been preset at the factory. Verify that there are no other leaks on the unit before proceeding any further. The wash sump must be completely filled before operating the wash pump to prevent damage to the component. Once the wash tub is filled, the unit is ready for operation.

The machine runs a complete cycle to drain and fill. If the machine is not allowed to drain, the water will build up inside the tub. After the initial fill, the rinse water for the current cycle will become the wash water for the next cycle.

**WARE PREPARATION:** Proper preparation of ware will help ensure good results and less re-washes. If not done properly, ware may not come out clean and the efficiency of the dishmachine will be reduced. It is important to remember that a dishmachine is not a garbage disposal and that simply throwing unscrapped dishes into the machine simply defeats the purpose altogether of washing the ware. Scraps should be removed from ware prior to being loaded into a rack. Pre-rinsing and pre-soaking are good ideas, especially for silverware and casserole dishes. Place cups and glasses upside down in racks so that they do not hold water during the cycle. The dishmachine is meant not only to clean, but to sanitize as well, to destroy all of the bacteria that could be harmful to human beings. In order to do this, ware must be properly prepared prior to being placed in the machine.

**DAILY MACHINE PREPARATION:** Refer to the section entitled "PREPARATION" at the top of this page and follow the instructions there. Afterwards, check that all of the chemical levels are correct and/or that there is plenty of detergent available for the expected workload.

**WARM-UP CYCLES:** For a typical daily start-up, it is recommended to run the machine through 3 cycles to ensure that all of the cold water is out of the system and to verify that the unit is operating correctly. To cycle the machine, ensure that the power is on and that the tub has filled to the correct level.

Press the START CYCLE button and hold until the green auto light is on and releases, the unit will start, run through the cycle, and shut off automatically. Repeat this two more times. The unit should now be ready to proceed with the washing of ware.

**WASHING A RACK OF WARE:** To wash a rack, open the door completely and slide the rack into the unit. Close the door, press the START CYCLE button and hold until the green auto light is on and releases, the unit will start. Once the cycle is completed, open the door and remove the rack of clean ware. Replace with a rack of soiled ware and close the door. The process will then repeat itself.

**OPERATIONAL INSPECTION:** Based upon usage, the pan strainer may become clogged with soil and debris as the workday progresses. Operators should regularly inspect the pan strainer to ensure it has not become clogged. If the strainer does, it will reduce the washing capability of the machine. Instruct operators to clean out the pan strainer at regular intervals or as required by work load.

**SHUTDOWN AND CLEANING:** At the end of the workday, close the door. Start a cycle. Wait approximately five seconds and then push the POWER OFF switch. This will put the machine in shutdown mode which will let the machine drain completely prior to shutting off. Once the wash tub is drained and power light is off, remove the pan strainer. Remove soil and debris from the strainer and set to the side. Unscrew the wash and rinse arms from their manifolds. Remove the endcaps and flush the arms with water. Use a brush to clean out the inside of the arms. If the nozzles appear to be clogged, use a toothpick to remove the obstruction. Wipe the inside of the unit out, removing all soil and scraps. Reassemble the wash and rinse arms and replace them in the unit. The arms only need to be hand tight, do not use tools to tighten them down. Reinstall the strainer and close the door.

---

## **SECTION 3: PREVENTATIVE MAINTENANCE**



### PREVENTATIVE MAINTENANCE

The dishmachines covered in this manual are designed to operate with a minimum of interaction with the operator. However, this does not mean that some items will not wear out in time.

There are many things that operators can do to prevent catastrophic damage to the dishmachine. One of the major causes of component failure has to do with prescrapping procedures. A dishmachine is not a garbage disposal; any large pieces of material that are put into the machine shall remain in the machine until they are either broken up (after spreading out on your ware!) or physically removed. Strainers are installed to help catch debris, but they do no good if they are clogged. Have operators regularly inspect the pan strainers to ensure (1) that they are free of soil and debris and (2) they are laying flat in the tub.

When cleaning out strainers, do NOT beat them on waste cans. The strainers are made of metal and can be forgiving; but once severe damage is done, it is next to impossible for the strainer to work in the way it was designed to. Wipe out strainers with a rag and rinse under a faucet if necessary. For stubborn debris, a toothpick should be able to dislodge any obstructions from the perforations. Always ensure that strainers are placed back in the machine before operation and that they lay flat in the tub.

You may wish to contact Jackson in order to learn more about how your water hardness will effect the performance of your machine. Hard water makes dishmachines work harder and decreases efficiency.

Again, it is important to remind operators that trying to perform corrective maintenance on the dishmachine could lead to larger problems or even cause harm to the operator. If a problem is discovered; secure the dishmachine using proper shut down procedures as listed in this manual and contact Jackson.

Some problems, however, may have nothing to do with the machine itself and no amount of preventative maintenance is going to help. A common problem has to do with temperatures being too low. Verify that the water temperatures coming to your dishmachine match the requirements listed on the machine data plate. There can be a variety of reasons why your water temperature could be too low and you should discuss it with Jackson to determine what can be done.

By following the operating and cleaning instructions in this manual, you should get the most efficient results from your machine. As a reminder, here are some steps to take to ensure that you are using the dishmachine the way it was designed to work:

1. Ensure that the water temperatures match those listed on the machine data plate.
2. Ensure that all strainers are in place before operating the machine.
3. Ensure that all wash and/or rinse arms are secure in the machine before operating.
4. Ensure that drains are closed/sealed before operating.
5. Remove as much soil from dishes by hand as possible before loading into racks.
6. Do not overfill racks.
7. Ensure that glasses are placed upside down in the rack.
8. Ensure that all chemicals being injected to machine have been verified as being at the correct concentrations.
9. Clean out the machine at the end of every workday as per the instructions in the manual.
10. Always contact your Ecolab representative whenever a serious problem arises.
11. Follow all safety procedures, whether listed in this manual or put forth by local, state or national codes/regulations.

---

# **SECTION 4: TROUBLESHOOTING**

**COMMON PROBLEMS**

**WARNING:** Inspection, testing and repair of electrical equipment should be performed only by qualified service personnel. Certain procedures in this section require electrical tests or measurements while power is applied to the machine. **Exercise extreme caution at all times.** If test points are not easily accessible, disconnect power, attach test equipment and reapply power to test. When replacing electrical parts, disconnect power at source circuit breaker.

**Problem: Water overflow from bottom of door.**

1. Clogged drain. Remove obstruction.
2. Machine not level. Level machine, or increase height to the front.
3. Excessive inlet pressure. Install pressure reducing valve, or adjust if one is present. Ensure flow is  $20 \pm 5$  PSI.
4. Detergent foaming. Reduce detergent quantity.

**Problem: Wash motor doesn't operate on manual wash.**

1. Loose or broken wires. Reconnect or replace wires in motor.
2. Defective manual wash switch. Replace.
3. Defective motor starting relay. Replace.

**Problem: Motor operates on manual wash but not on automatic.**

1. Defective timer. Replace timer.
2. Defective circuit in manual wash switch. Replace switch.

**Problem: No water comes through the rinse arms when the "START CYCLE" switch is depressed.**

1. Water not turned on. Turn water on.
2. Defective solenoid valve. Replace solenoid valve.
3. Probes are dirty or coated. Clean probes.
4. Defective water level control. Replace.

**Problem: Little or no water coming through the rinse assemblies.**

1. Limed up rinse heads or piping. Delime rinse heads.
2. Low water pressure. Increase pipe size to machine. Adjust pressure regulator.

**Problem: Rinse water runs continuously with breaker turned off.**

1. Defective plunger in solenoid valve. Replace.
2. Defective diaphragm in solenoid valve. Replace diaphragm.

**Problem: Rinse doesn't operate on automatic during timed cycle (but does operate in auto/fill operation).**

1. Timer defective. Replace timer.

**Problem: Rinse water runs continuously with power applied to machine, but when circuit breaker to machine is turned off, water stops.**

1. Defective water level control. Replace.
2. Probes are dirty or coated. Clean probes.

**Problem: Wash temperature not at required reading on thermometer.**

1. Defective thermometer. Replace.
2. Defective thermostat. Adjust thermostat. Replace thermostat.
3. Rinse heater defective. Replace heater element.
4. Water level protection control device. Replace.

**Problem: Rinse water not at required temperature range.**

1. Thermometer is defective. Replace.
2. Thermostat is defective. Adjust the thermostat. Replace if necessary.

**Problem: Machine doesn't drain when "POWER OFF" switch is pressed.**

1. Drain solenoid clogged. Remove obstruction.
2. Defective "POWER OFF" switch. Replace.
3. Defective motor or motor start relay. Replace.
4. Defective drain solenoid. Replace.
5. Defective timer. Replace.

**Problem: No indication of pressure.**

1. Water turned off. Turn water on.
2. 1/4" test cock ball valve is closed. Open the ball valve.

---

# **SECTION 5: SERVICE PROCEDURES**

## SECTION 5: SERVICE PROCEDURES

These dishmachines are equipped with electrical solenoid valves to allow for automatic fill and rinse. These valves are designed to specific tolerances and design aspects that must be met in order to function properly.

Jackson offers repair kits for replacing some of the wear items associated with solenoid valves which will allow you to save money in that replacement of these parts can take place *without* removing the solenoid valve from the plumbing assembly.

The instructions provided here are for maintenance personnel only. Unauthorized persons should not attempt any of the steps contained in these instructions.

**Warning: many of the instructions and steps within this document require the use of tools. Only authorized personnel should ever perform any maintenance procedure on the dishmachine!**

### PREPARATION

1. Power must be secured to the unit at the service breaker. Tag or lock out the service breaker to prevent accidental or unauthorized energizing of the machine.

2. Ensure that incoming water to the machine is secured either by use of a shut-off valve or disconnecting the incoming water line.

### TOOLS REQUIRED

The following tools will be needed to perform this maintenance evolution:

1. Small flathead screwdriver
2. Medium flathead screwdriver
2. Needle nose pliers
3. 5/16" nutdriver
4. Channel locks
5. 12" pipe wrench

### TIME REQUIRED

It is estimated that it will take (1) person twenty minutes to perform this task, not including all of the items indicated in the section entitled "PREPARATION".

### IMPORTANT NOTES

1. Read these instructions thoroughly before attempting this maintenance evolution. Become familiar with the parts and what actions need to be taken. This will save time in the long run!

2. The procedures demonstrated in this manual are shown being performed on an AJ-44C rack conveyor dishmachine. The actual maintenance steps, however, apply to any Parker style solenoid valve found on a Jackson dishmachine.

## RINSE SOLENOID VALVE REPAIR PARTS KIT

### STEPS

1. Remove the top screw with the 5/16" nutdriver. Remove the screw and the data plate and set to the side.



Removing the top screw

2. With the top screw and data plate removed, grasp the solenoid coil and gently pull up. The coil should slide up, allowing you to remove it from the valve bonnet. If you are wanting to replace the coil, continue on with Step 3. If you are wanting to replace some of the internal components of the valve, proceed to step 12.



Removing the coil

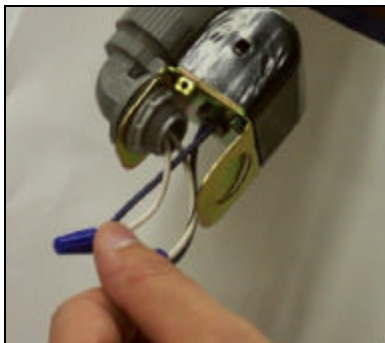
3. **NOTE:** Replacing the solenoid coil requires working with the wiring of your machine. It is important that all wiring maintenance be performed by qualified personnel. Always verify the wiring steps presented in this instruction with the schematic that shipped with the unit. A current schematic can also be found in the unit's installation manual. Before beginning any step that involves working with wiring, ensure that the steps located in the section entitled "Preparation" have been performed. Power must be secured to the machine at the service breaker. Failure to do so could result in severe injury to maintenance personnel.

## RINSE SOLENOID VALVE REPAIR PARTS KIT (CONTINUED)



Prying open the coil wire cover

4. When replacing the coil, ensure that when removing the coil wire cover that care is taken not to damage the wires inside. Using the medium flathead screwdriver, gently use it to open the cover enough to where it could be pulled off.



Straightening the wires

5. Once the coil wire cover has been removed and set to the side, take the internal wires and pull them out straight.



Removing the wire nuts

6. Remove the wire nuts from the wires and separate them.



Loosening the conduit nut

7. Using a pair of channel locks, gently loosen the conduit retaining ring for the conduit nut. Once it is loosened, use your fingers to unscrew and remove it.

8. Pull the conduit away and discard the bad coil. Take the new coil and attach the conduit, reinstall & tighten the conduit nut, and pull the wires through so that you will be able to wire the valve back up.

9. Reconnect the wires from the conduit to the wires from the solenoid as they had been connected previously. Ensure that the wire nuts are on tight.

10. Slide the coil wire cover back on, taking care not to damage the wires.

11. If you are done performing maintenance on the valve, continue on to step 23. Otherwise, please go on to step 12.L



Loosening the valve bonnet

12. To remove the valve bonnet, grasp it with the jaws of the pipe wrench and turn to the left. **Note:** on some models you may have to remove the valve in order to perform this and any further steps. Be careful not to damage the plumbing assembly. Only use the pipe wrench enough to where you can spin the valve bonnet off with your hand.

## SECTION 5: SERVICE PROCEDURES

### RINSE SOLENOID VALVE REPAIR PARTS KIT (CONTINUED)



Removing the valve bonnet

13. Slowly remove the valve bonnet. **Note:** The spring for the plunger is located directly under the bonnet and may come free if you are not careful. Remove the plunger, spring and valve bonnet and place to the side.



Removing the diaphragm

17. Remove the diaphragm retainer and then the diaphragm itself. Many problems associated with a solenoid valve can be traced to a clogged pilot port in the diaphragm.



Removing the O-ring

14. Remove the O-ring and inspect it. If it has any tears or cuts or excessive flat spaces, it should be replaced.

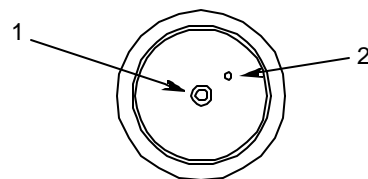
15. Examine the threads for the valve bonnet. Check them for scoring or signs of damage. Take a cloth and clean them out to remove any foreign particles that might get lodged in the threads and cause a leak. Severely damaged threads should not be repaired; instead it is recommended that the entire valve should be replaced. These instructions do not provide information on replacing the solenoid valve.

16. **Note:** Even though an O-ring may not appear damaged, it is a good idea to go ahead and replace it if you have a new one. This will help ensure that your valve remains leak-free in the future!



Pointing out the extension hole

18. As indicated in the photo above, the extension hole can become clogged. If it is difficult to clean out, you can use a heated straight pin to push through the hole. The center hole, the pilot port, must also be clear. If the diaphragm is torn or bent in any way, it must be replaced.



Diaphragm showing (1) pilot port and (2) extension hole



RINSE SOLENOID VALVE REPAIR PARTS KIT (CONTINUED)



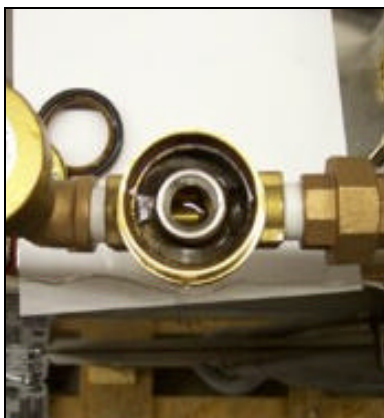
Removing the screen retainer

19. Using the small flathead screwdriver, lift out the screen retainer. Verify that the holes in it are free of clogs and debris.



Removing the mesh strainer screen

20. Again using the small flathead screwdriver, carefully remove the mesh screen from inside the valve body. The screen should be taken and rinsed out to remove any debris fouling it.



View inside the solenoid valve body

21. With the mesh screen removed, look down into the valve and verify it is not clogged. Remove any foreign objects from the valve body that would obstruct flow.

22. Reassemble the valve, reversing the steps needed to take it apart. Replace defective replacement parts with new parts from ordered kits. Ensure that components are sufficiently tightened to prevent leakage.

**AFTER MAINTENANCE ACTIONS**

Reconnect the incoming water (if disconnected) and turn on. Then restore power to the unit. Run the unit for at least 10 minutes to ensure there are no leaks. If any problems arise please contact Jackson.

**SPECIAL PARTS**

Solenoid Valve Plunger Kit  
Includes plunger and spring  
Part number 6401-003-07-40

Solenoid Valve Diaphragm Kit  
Includes diaphragm and o-ring  
Part number 6401-003-07-41 (1/2" NPT)

Solenoid Valve 110 Volt Coil and Housing Kit  
Part number 6401-003-07-43

Complete Solenoid Valve  
Part number 04810-100-12-18 (1/2", 110 Volt)

## SECTION 5: SERVICE PROCEDURES

### VACUUM BREAKER REPAIR PARTS KIT

These dishmachines are equipped with vacuum breakers to serve as back-flow prevention devices. ASSE requirements specify what type of back-flow prevention is necessary on dishmachines. Vacuum breakers, unlike air gaps, have certain parts that have specific tolerances and design aspects that must be met in order to function properly.

Jackson offers repair kits for replacing some of the wear items associated with vacuum breakers which will allow you to save money in that replacement of these parts can take place *without* removing the vacuum breaker from the plumbing assembly.

The instructions provided here are for maintenance personnel only. Unauthorized persons should not attempt any of the steps contained in these instructions.

**Warning: many of the instructions and steps within this document require the use of tools. Only authorized personnel should ever perform any maintenance procedure on the dishmachine!**

### PREPARATION

1. Power must be secured to the unit at the service breaker. Tag or lock out the service breaker to prevent accidental or unauthorized energizing of the machine.

2. Ensure that incoming water to the machine is secured either by use of a shut-off valve or disconnecting the incoming water line.

### TOOLS REQUIRED

The following tools will be needed to perform this maintenance evolution:

1. Small flathead screwdriver
2. Needle nose pliers

### TIME REQUIRED

It is estimated that it will take (1) person twenty minutes to perform this task, not including all of the items indicated in the section entitled "PREPARATION".

### IMPORTANT NOTES

1. Read these instructions thoroughly before attempting this maintenance evolution. Become familiar with the parts and what actions need to be taken. This will save time in the long run!

### STEPS

1. **Note:** These instructions only apply to vacuum breakers (1/2" NPT and 3/4" NPT) as pictured below. The repair kits indicated in these instructions will only work on those style of back-flow preventers. If you have a machine with a different style of vacuum breaker, contact your Ecolab representative about replacement components.



Vacuum breaker

2. **Note:** Even though the photos in these instructions show a vacuum breaker that has been removed from the plumbing assembly, these maintenance steps could be performed with it installed so long as the requirements in the section entitled "PREPARATION" have been met.

3. Remove the top cap by gripping firmly and turning to the left. The cap should come off after a few turns.



Removing the cap

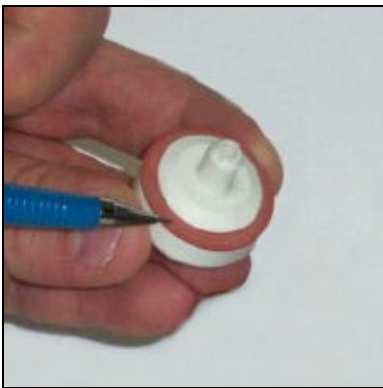
4. Set the cap to the side.

5. Using the needle nose pliers, gently lift out the plunger and set to the side. Examine the brass seating surface inside the vacuum breaker. The plunger is required to sit flat on this surface so it must be free of defects, imperfections and the like. If there is debris, remove it. If it is chipped or cracked then the vacuum breaker must be replaced. Failure to do so may result in the vacuum breaker not working according to its design and could result in damage to the dishmachine.

**VACUUM BREAKER REPAIR PARTS KIT (CONTINUED)**

Removing the plunger

6. Your repair kit comes with a new plunger. Examine the old one and ensure that the mating surface is not damaged or cut. Also inspect the rubber seal on the top of the plunger to ensure it is in good condition and not torn.



Examining the seal ring on the plunger



Examining the plunger seating surface

7. If any of these conditions are present, replace the old plunger with the new one from your kit. Verify that the new plunger is also free from defects. If it is not, contact your Ecolab representative immediately.

8. The plunger should drop into the vacuum breaker and seat. Ensure it is not flipped upside down (the orange seal ring should be up towards the top of the vacuum breaker).

9. Pick up the cap and examine it. With a soft towel, remove any grit, grime or debris that may have gotten caught in the threads of both the cap retainer or the vacuum breaker body. There is an O-ring that should be present on the cap retainer as well. Regardless of the condition of the plunger, this O-ring should be replaced once the cap is removed. Using a small flathead screwdriver, remove the old O-ring.



Replacing the O-ring

10. With the new O-ring in place, screw the cap back on the vacuum breaker body. The cap needs to only be hand tight (snug).

**AFTER MAINTENANCE ACTIONS**

1. Reconnect the incoming water (if disconnected) and turn on. Then restore power to the unit. Run the unit for at least 10 minutes to ensure there are no leaks. If any problems arise please contact Jackson.

**SPECIAL PARTS**

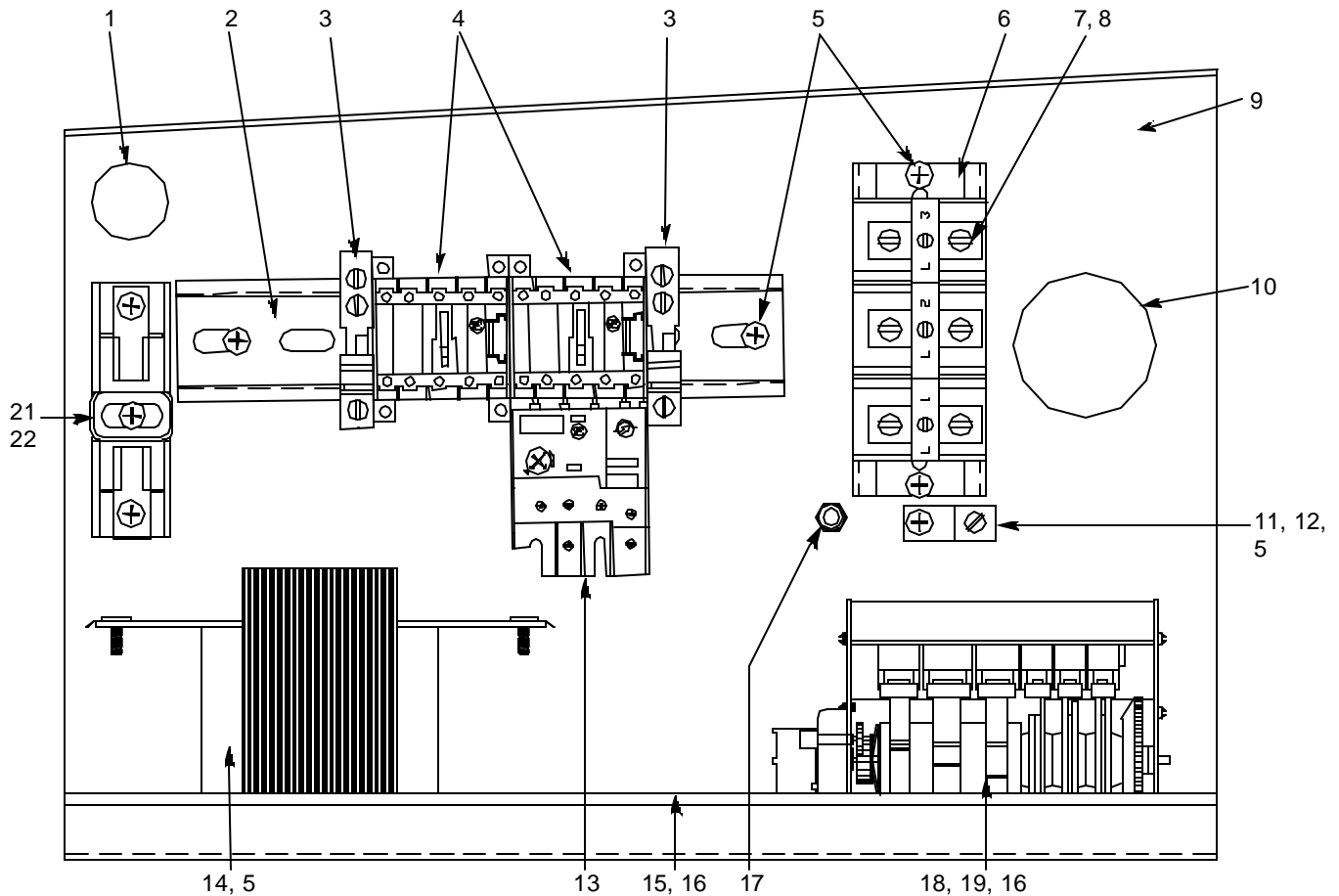
To order the kit with components and instructions:

Components of 1/2" Repair Kit  
6401-003-06-23

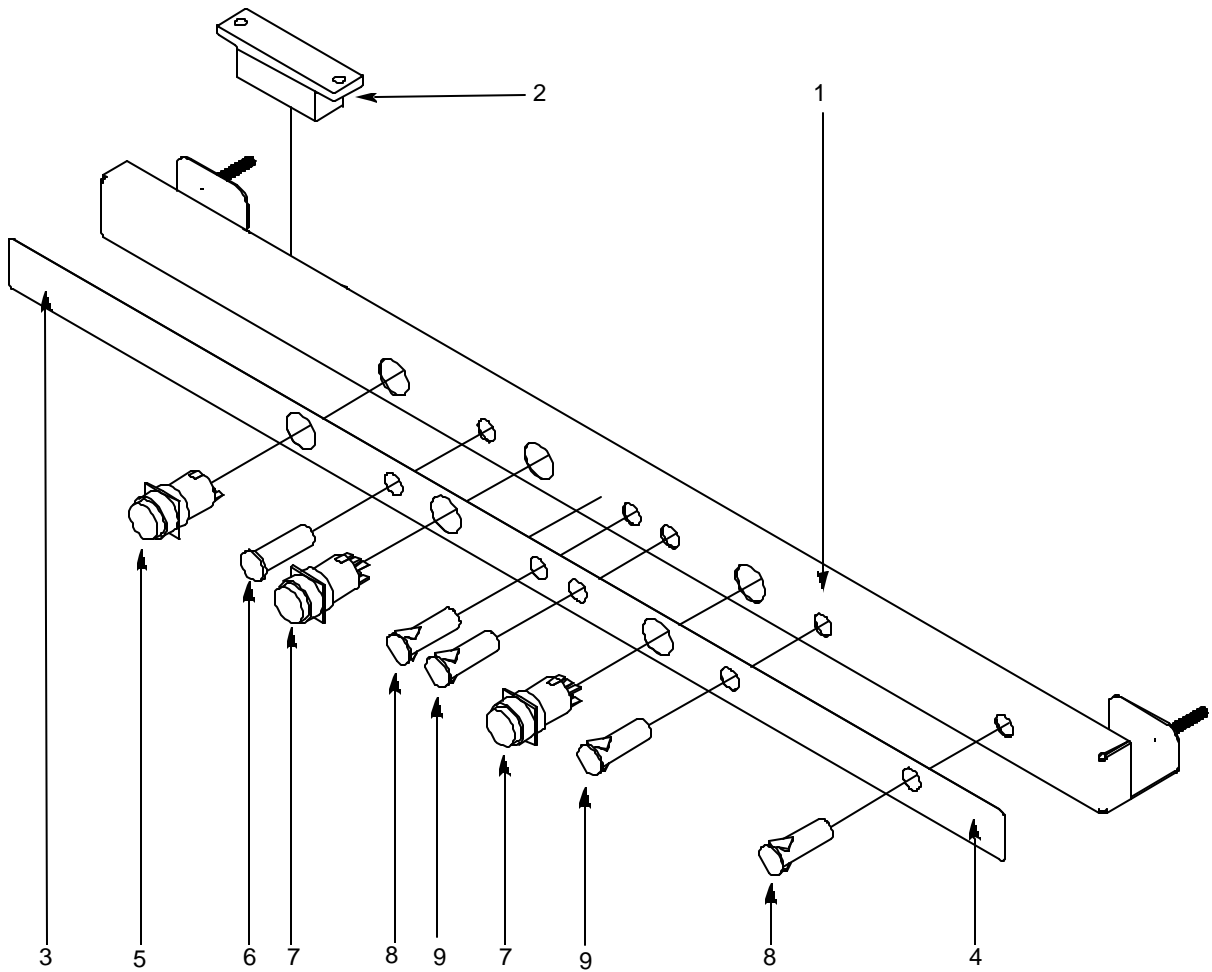
---

# **SECTION 6: PARTS SECTION**

## ELECTRICAL PANEL ASSEMBLY

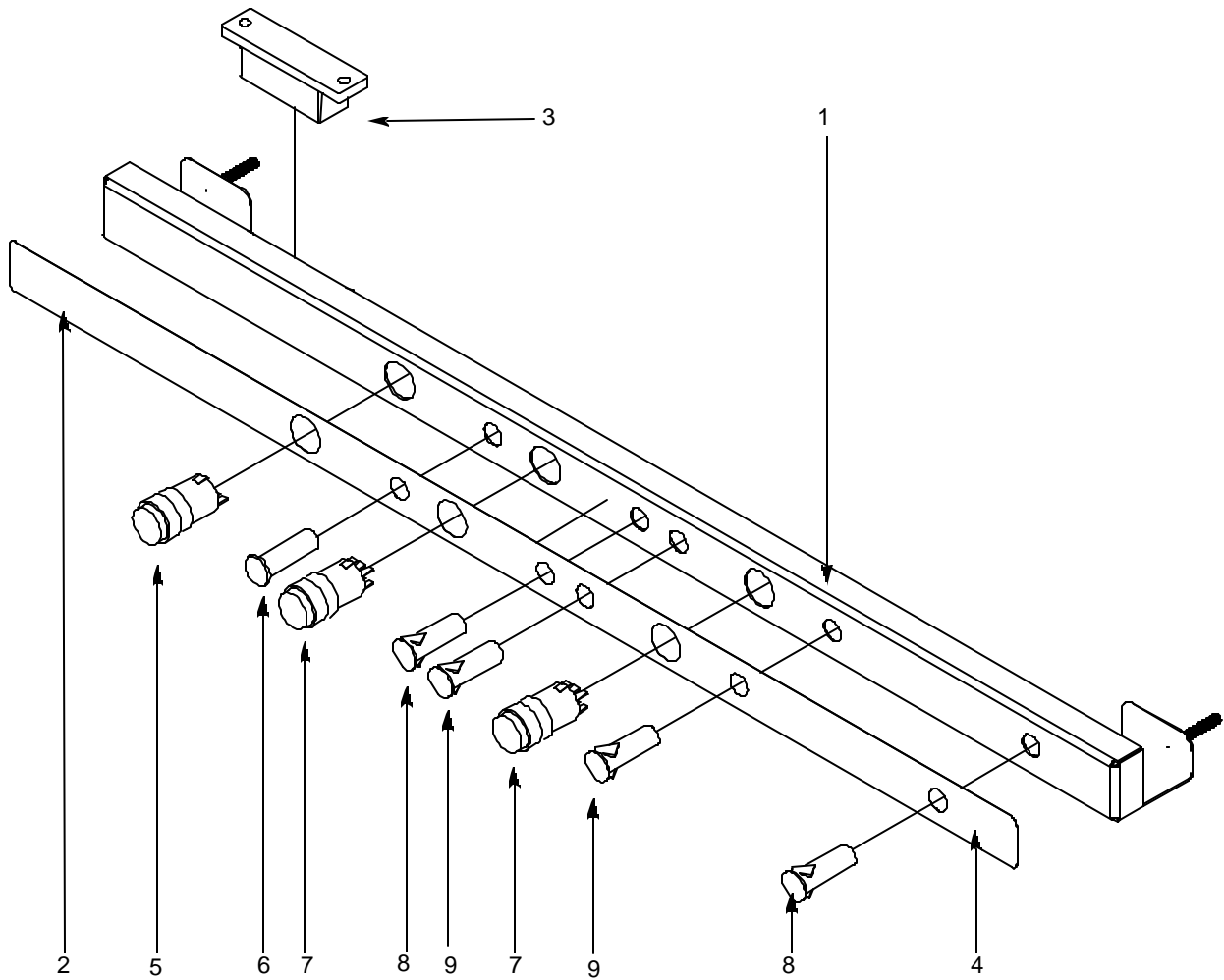


ITEM	QTY	DESCRIPTION	Mfg. No.
1	1	Bushing, Snap	5975-210-03-00
2	1	Track, Terminal 6 7/8"	5700-021-62-91
3	2	End Clamp	5940-111-60-30
4	2	Contactors, Mini	5945-111-60-07
5	9	Screw, 10-32 x 3/8 Phillips Truss Round Head	5305-173-12-00
6	1	Track, Terminal 4 3/4"	5700-002-75-74
7	1	Decal, L1, L2, L3	9905-101-12-66
8	3	Block, Snap-in Terminal	5940-500-02-19
9	1	Electrical Control Panel Weldment	5700-031-62-94
10	1	Grommet, 1 1/8" Heyco	5975-210-08-00
11	1	Wire Lug	5940-200-76-00
12	1	Ground Decal	9905-011-41-82
13	1	Overload, Contactor	5945-111-60-08
14	1	ACME Transformer, 480 to 120 Volt	5950-011-50-70
15	1	Terminal Board, 1/4 QC	5940-021-94-85
16	2	Screw, 6-32 x 3/8" Sems with External Tooth Lockwasher	5305-002-25-91
17	1	Locknut, 10-24 S/S Hex with Nylon Insert	5310-373-01-00
18	1	Timer, 6 Cam	5945-121-44-69
19	1	Decal, Timer	9905-011-40-70
20	4	Locknut, 1/4-20 S/S Hex with Nylon Insert (not shown)	5310-374-01-00
21	1	Fuse Holder	5920-011-72-89
22	1	Fuse, 1/4 Amp	5920-002-75-95

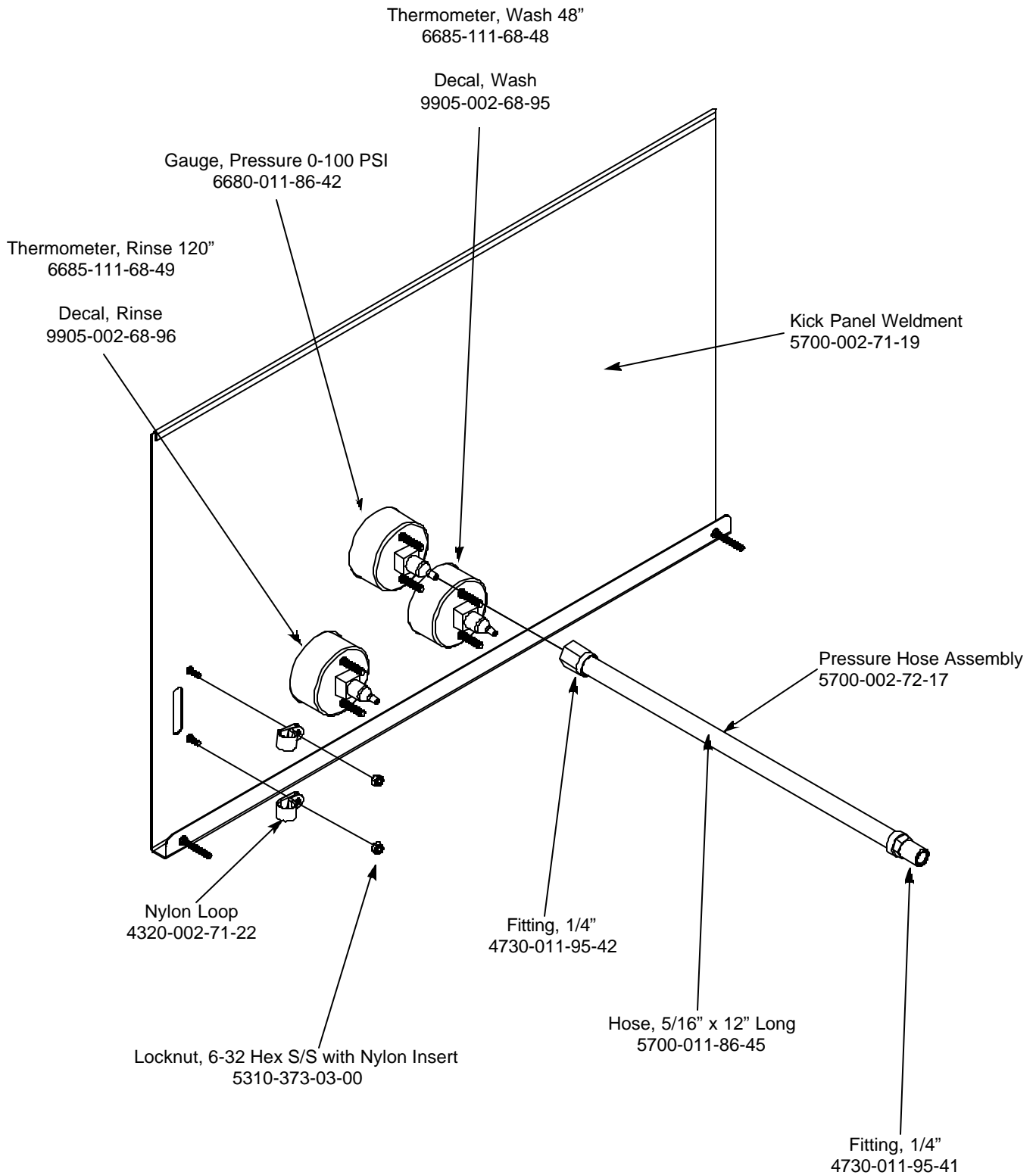


ITEM	QTY	DESCRIPTION	Mfg. No.
1	1	Switch Panel Weldment	5700-002-71-11
2	1	Decal, Control Panel	5700-002-75-75
3	1	Switch, Yellow Reed	5930-011-47-50
4	1	Decal, High Limit	9905-002-75-98
5	1	Switch, Prime	5930-002-68-27
6	1	Light, Amber	5945-504-06-18
7	2	Switch, Button DPDT	5930-002-43-44
8	2	Light, Red	5945-504-07-18
9	2	Light, Green	5945-504-08-18

## SWITCH PANEL ASSEMBLY (WITH STAINLESS STEEL SWITCHES)



ITEM	QTY	DESCRIPTION	Mfg. No.
1	1	Switch Panel Weldment	5700-003-02-65
2	1	Decal, Control Panel	5700-002-75-75
3	1	Switch, Yellow Reed	5930-011-47-50
4	1	Decal, High Limit	9905-002-75-98
5	1	Switch, Prime	5930-003-05-30
6	1	Light, Amber	5945-504-06-18
7	2	Switch, ON/OFF	5930-003-05-29
8	2	Light, Red	5945-504-07-18
9	2	Light, Green	5945-504-08-18





## PLUMBING ASSEMBLY

Adapter, 1/2" Ftg. x Male  
4730-011-59-53

Copper Tube, 1/2" x 1 1/4"  
5700-000-38-78

Union, 1/2" C to C  
4730-412-05-01

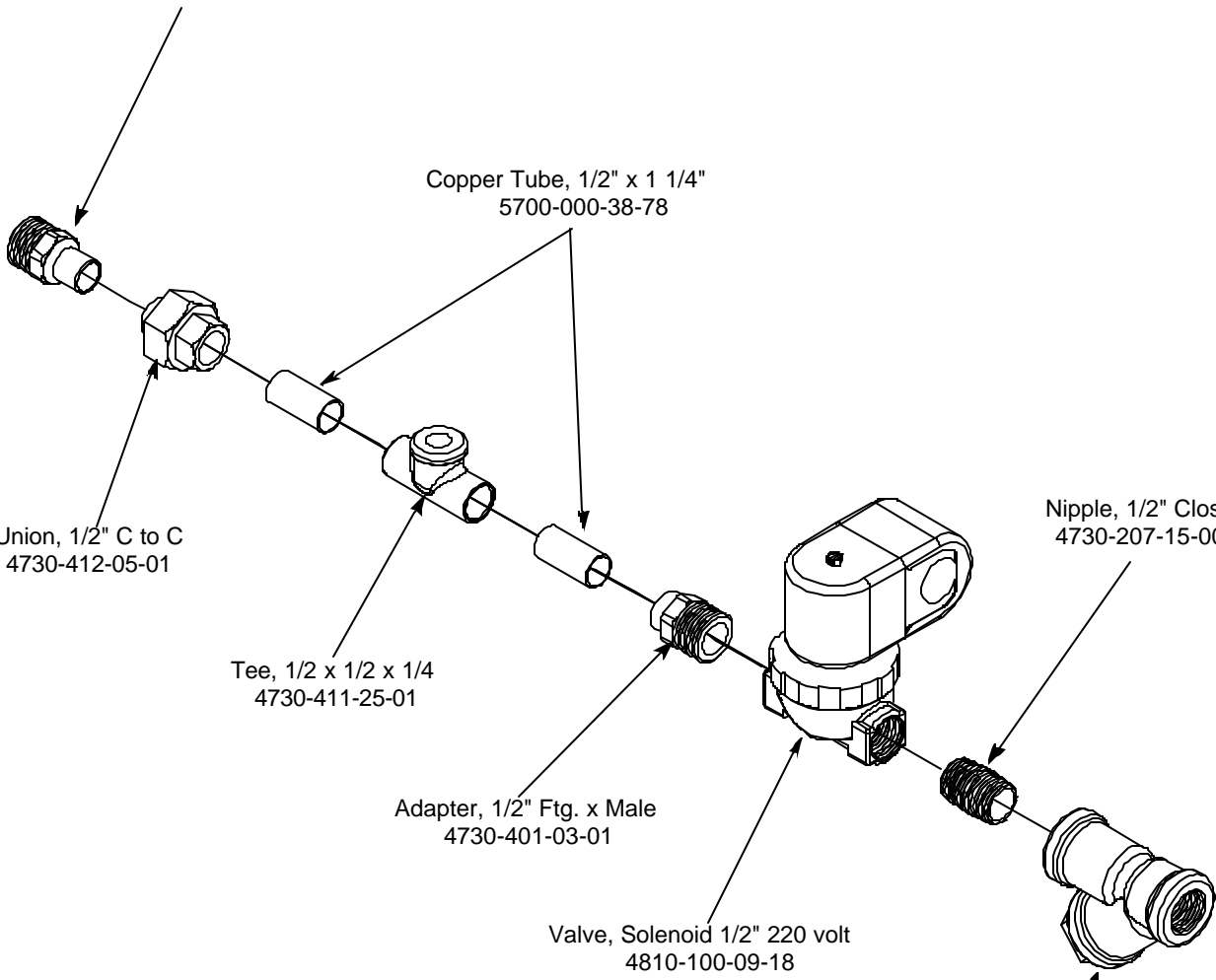
Tee, 1/2 x 1/2 x 1/4  
4730-411-25-01

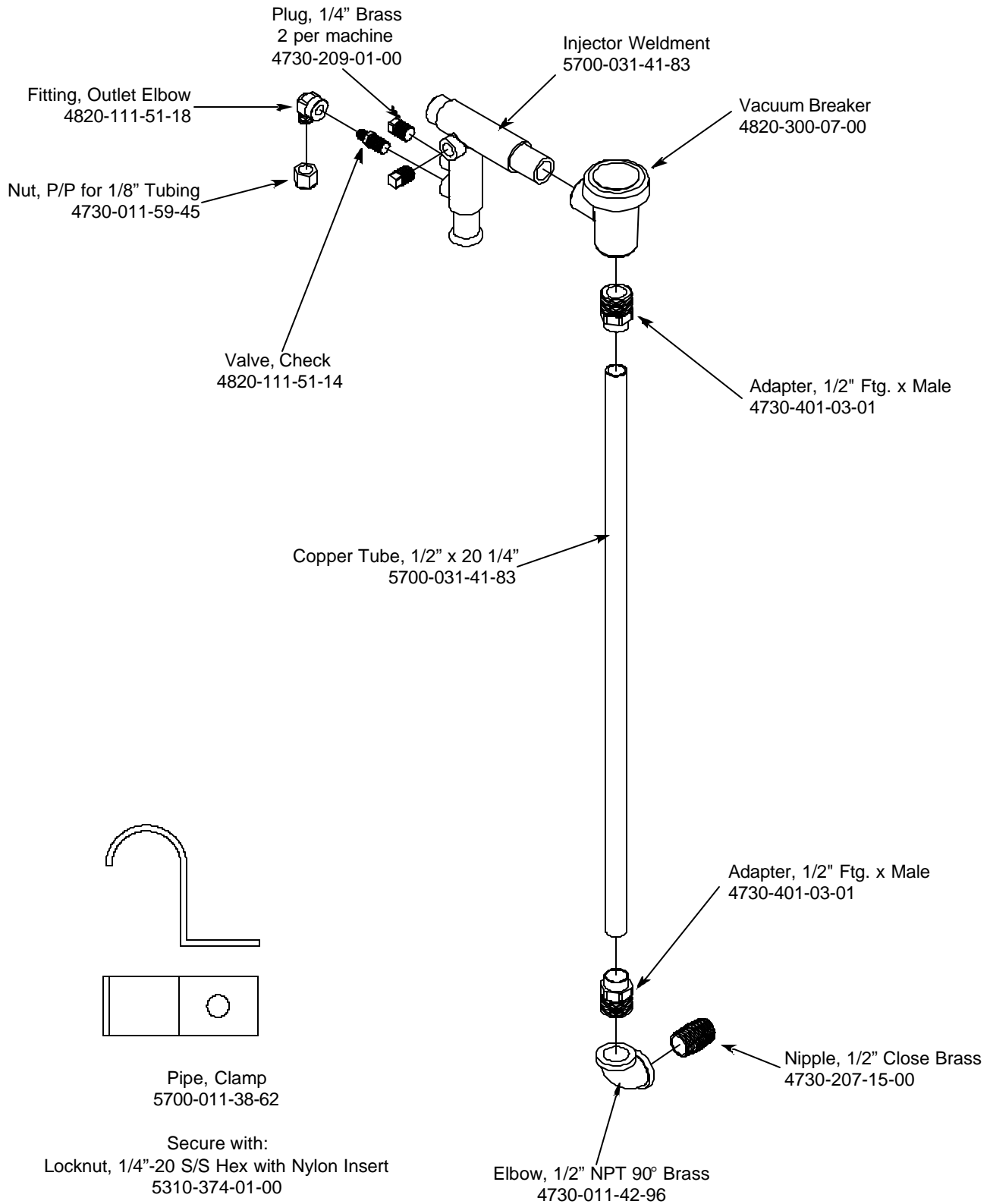
Adapter, 1/2" Ftg. x Male  
4730-401-03-01

Valve, Solenoid 1/2" 220 volt  
4810-100-09-18

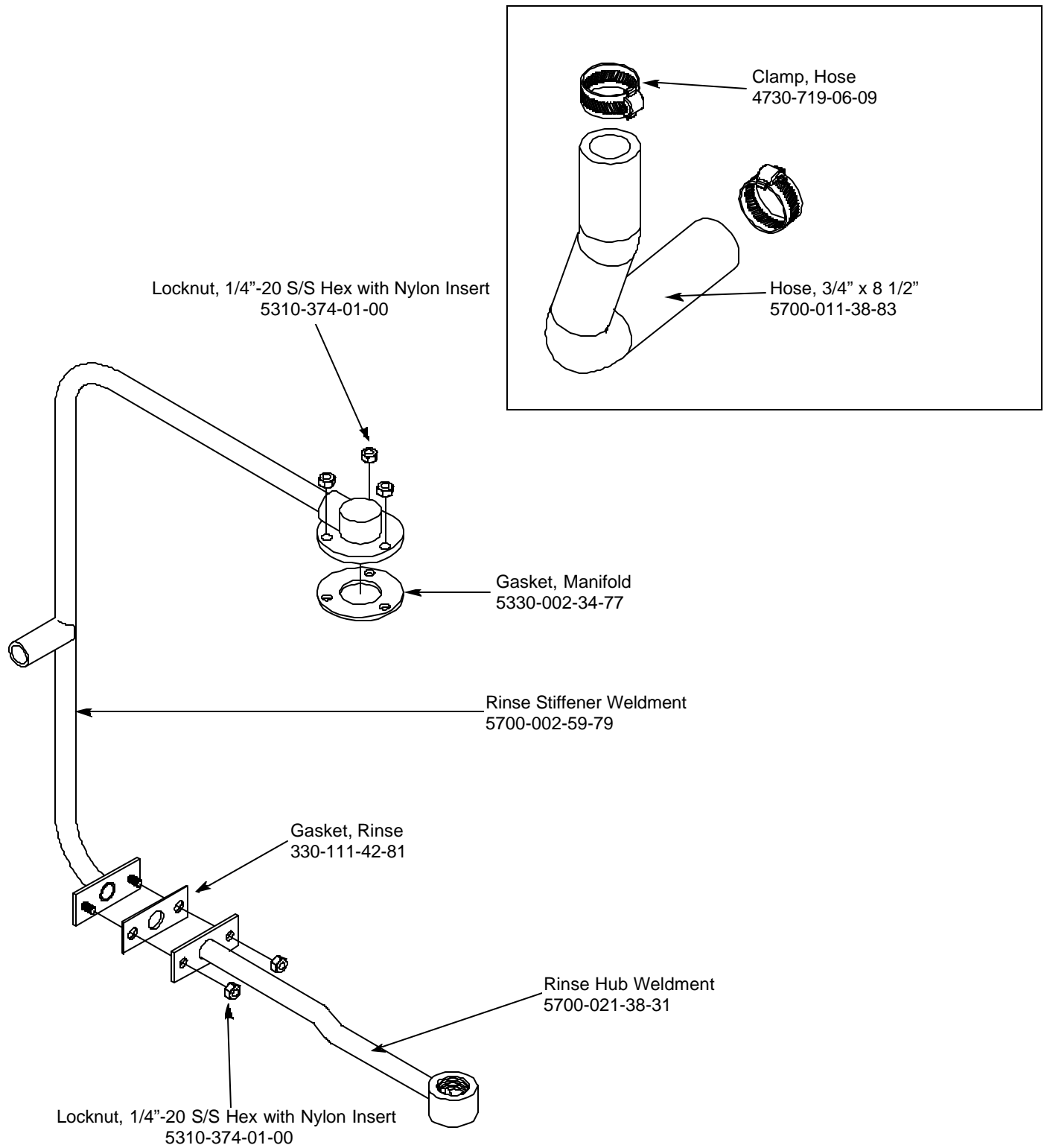
Nipple, 1/2" Close  
4730-207-15-00

Y-Strainer, 1/2"  
4730-217-01-10



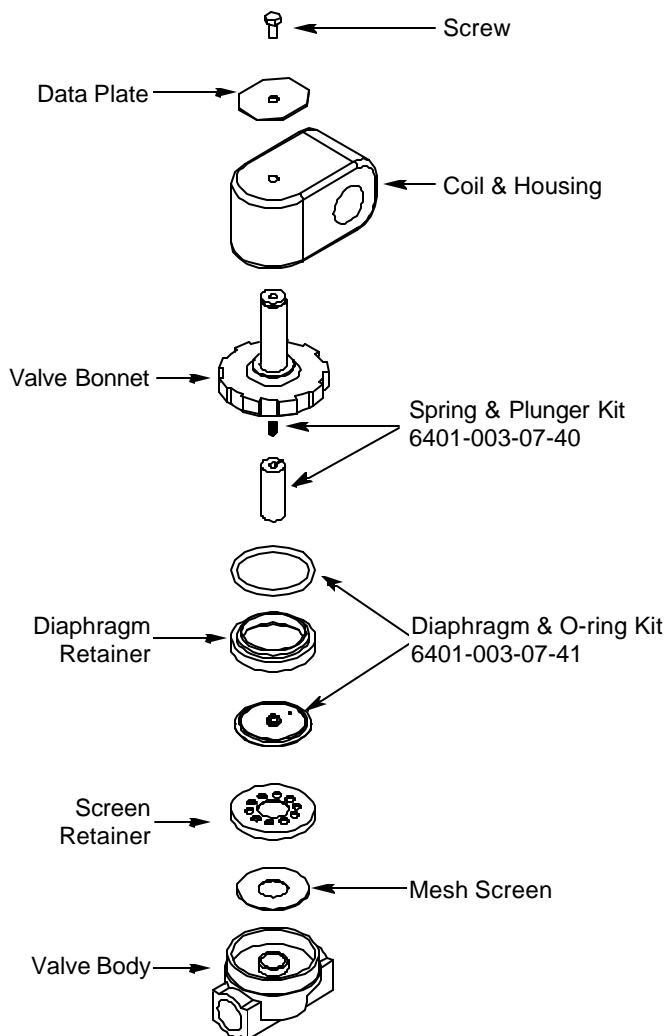


PLUMBING ASSEMBLY (CONTINUED)

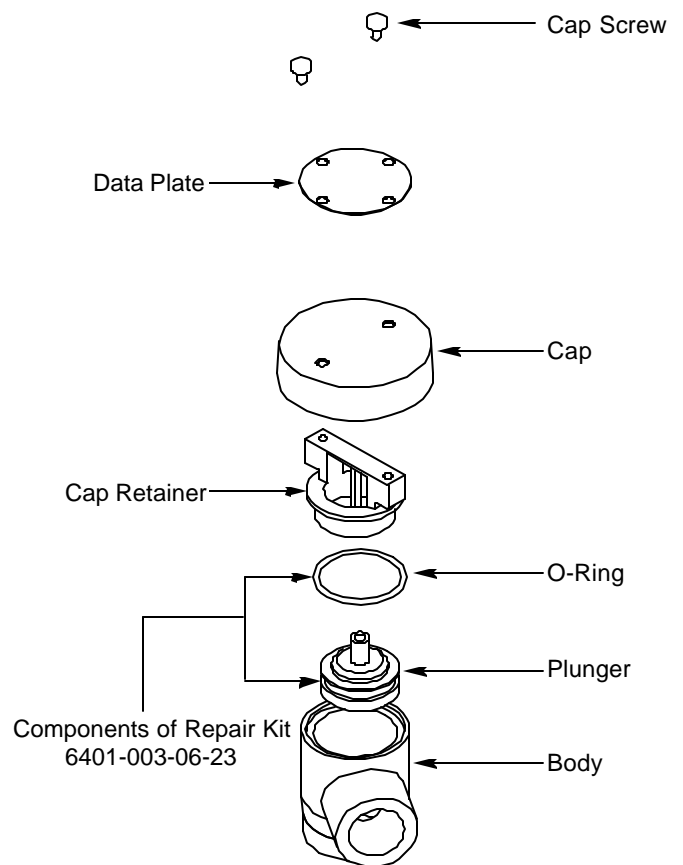


**SECTION 6: PARTS SECTION**

**1/2" SOLENOID VALVE & 1/2" NPT VACUUM BREAKER REPAIR PARTS KITS**

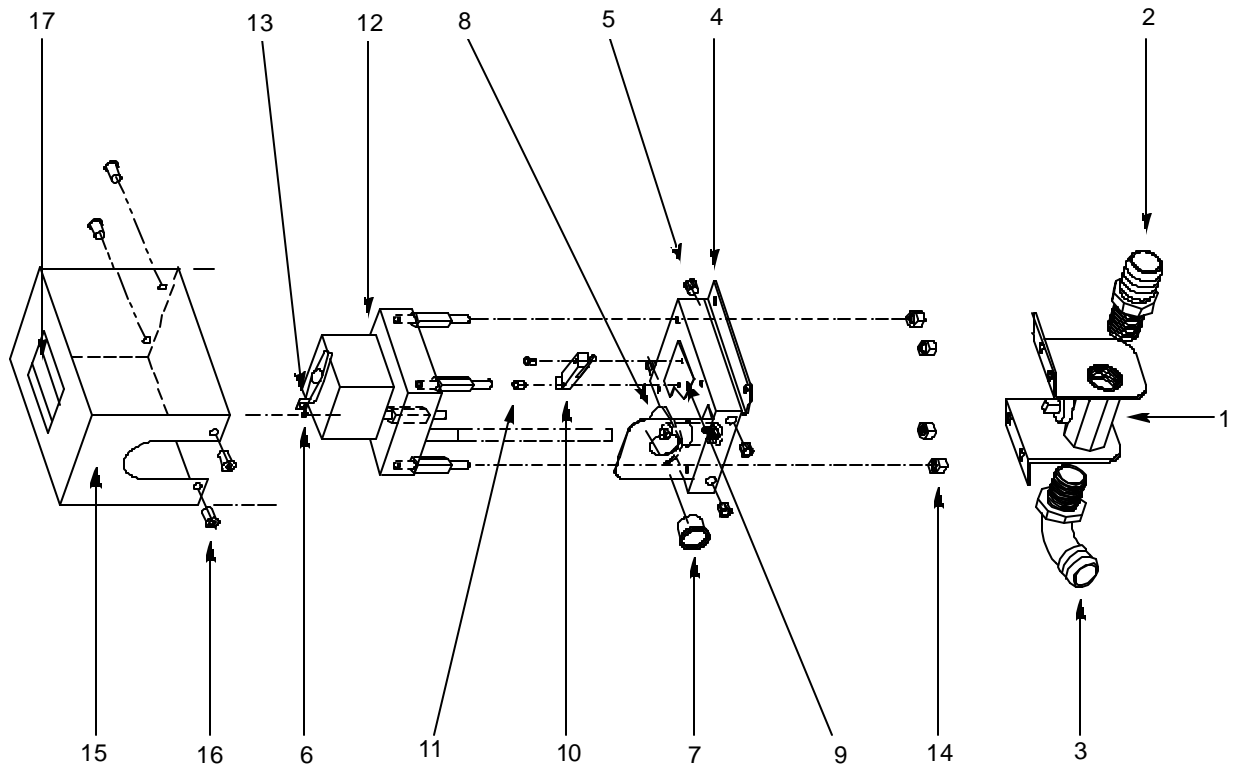


**Complete 110 Volt Solenoid Valve Assembly**  
 4810-100-09-18  
**Coil & Housing only**  
 6401-003-07-44



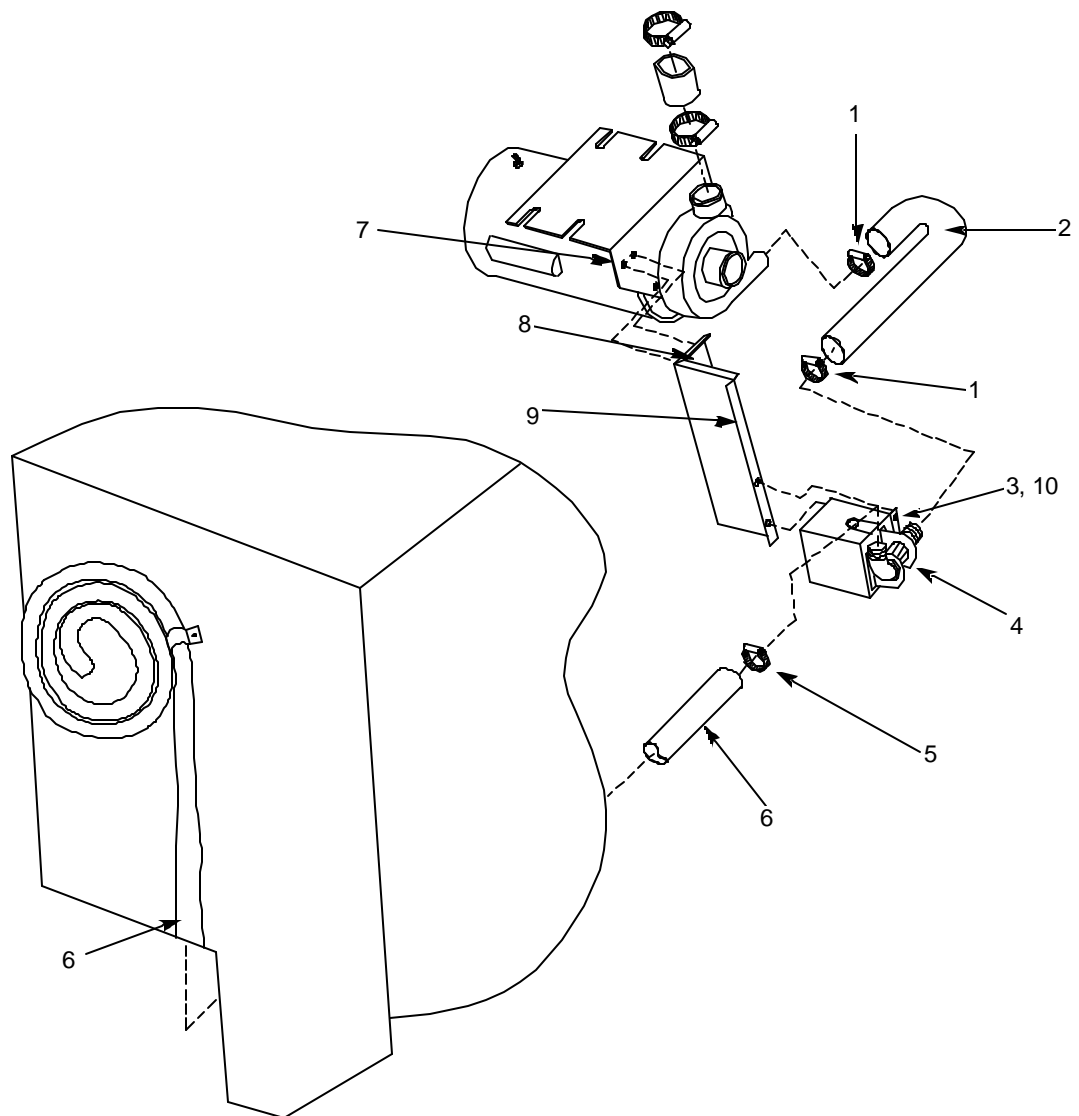
**Complete Vacuum Breaker Assembly**  
 4820-003-06-13

## DRAIN VALVE ASSEMBLY



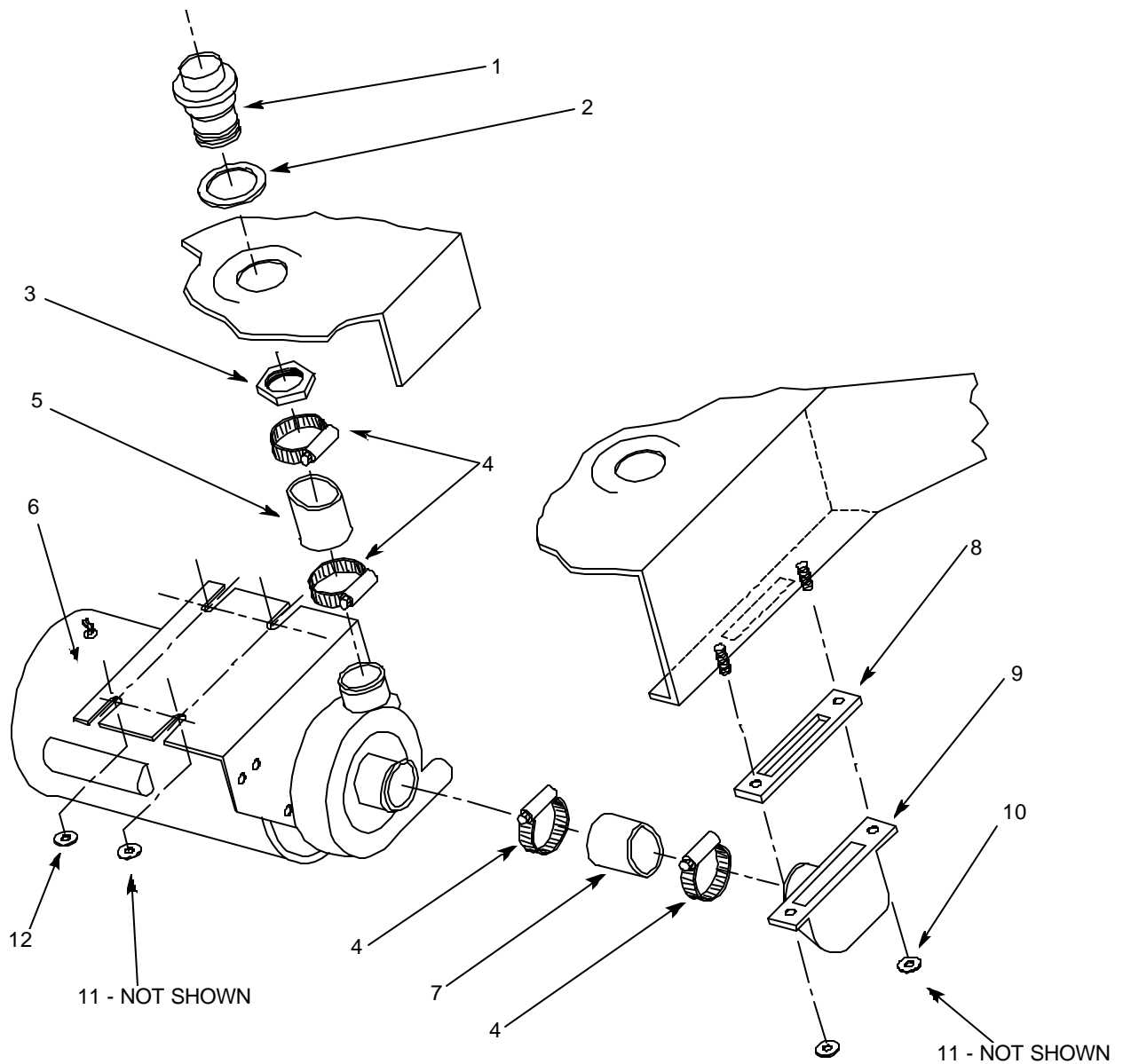
ITEM	QTY	DESCRIPTION	Mfg. No.
1	1	Valve, With Brackets	5700-002-23-28
2	1	Hosebarb, 1" x 3/4" NPT Polypropylene	4730-011-65-86
3	1	Hosebarb, 90° 1" x 3/4" NPT	4730-011-65-87
4	1	Plate, Motor Mounting Weldment	5700-031-96-02
5	4	Tricnut, 10-32 AK Fastener, S/S	5340-111-58-10
6	1	Lockwasher, #10 External Tooth	5311-273-02-00
7	1	Grommet, Heyco	5975-210-03-00
8	1	Cam Weldment	5700-011-65-78
9	1	Plate, Dielectric	5700-011-65-80
10	1	Switch, Micro	5930-011-65-81
11	2	Screw, 4-40 x 5/8"	5305-011-49-70
12	1	Motor, Chemical Feeder Pump 14 RPM	4320-011-79-34
13	1	Terminal, Ground Spade	5940-011-75-70
14	4	Locknut, 10-32 S/S Hex with Nylon Insert	5310-373-02-00
15	1	Valve, Cover	5700-031-65-70
16	4	Screw, 10-32 x 3/8" Truss Head	5305-173-12-00
17	1	Decal, Warning-Disconnect Power	9905-100-75-93

## DRAIN PLUMBING ASSEMBLY

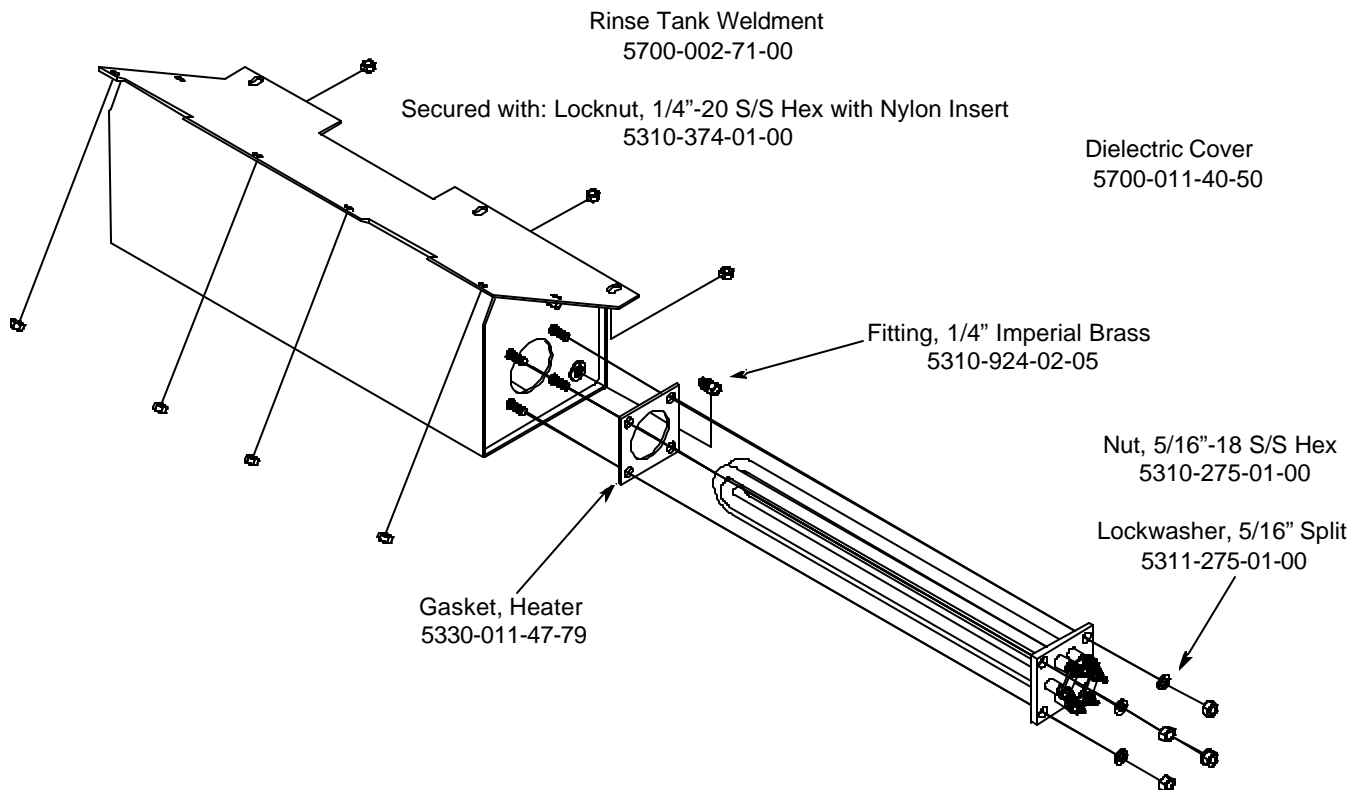


ITEM	QTY	DESCRIPTION	Mfg. No.
1	3	Clamp, 3/16" to 1 1/2"	4730-719-06-09
2	1	Hose, Formed Drain	4720-121-40-36
3	2	Bolt, 10-32 x 1/2" Slotted Truss Head	5305-173-04-00
4	1	Diverter Valve Assembly	5700-002-23-21
5	1	Clamp, 11/16" to 1 1/4"	4730-002-18-40
6	1	Hose, 1" I.D. x 10 Feet Long	5700-011-39-72
7	2	Locknut, 1/4"-20 S/S Hex with Nylon Insert	5310-374-01-00
8	2	Bolt, 1/4"-20 x 1/2" Long	5305-274-02-00
9	1	Bracket, Valve Mounting with Tricnuts	5700-021-66-37
10	2	Washer, #10 External Tooth Star	5311-273-02-00

## WASH MOTOR TO WASH TUB ASSEMBLY

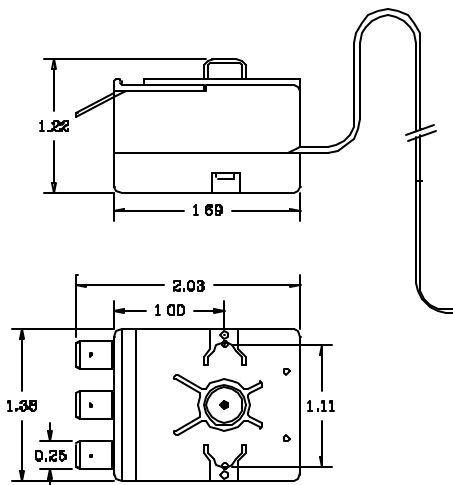


ITEM	QTY	DESCRIPTION	Mfg. No.
1	1	Hub, Discharge Machined	5700-021-37-90
2	1	Gasket, 2" O.D. x 1 1/2" I.D. x 1/16"	5330-200-23-00
3	1	Nut, Jam 1 1/2"-12 NPT	5700-000-86-23
4	4	Hose Clamp, 1 5/16" - 2 1/4" # 28	4730-719-01-37
5	1	Hose, 1 1/4" x 2 1/4" Reinforced	5700-011-44-48
6	1	Motor, Wash, 460V, 3/4 HP	6105-121-60-06
7	1	Hose, Bottom Manifold Pump	5700-001-22-92
8	1	Gasket, Suction Adapter	5330-021-40-87
9	1	Casting, Suction Adapter	9515-031-39-86
10	4	Washer, S/S 1/4"-20 I.D.	5311-174-01-00
11	6	Locknut, 1/4"-20 S/S	5310-374-01-00
12	4	Washer, 1/4" I.D. x 3/4" O.D. S/S	5311-011-76-30



The JPX-300NSU comes supplied with various heaters, depending on the characteristics of the machine. To ensure that you order the correct heater for the model you are servicing, please refer to the following table:

<u>Volts</u>	<u>Hz</u>	<u>Phase</u>	<u>40°F Rise Rinse Heater (8.2 KW)</u>	<u>70°F Rise Rinse Heater (10 KW)</u>
460	60	3	4540-111-51-46	4540-002-29-82

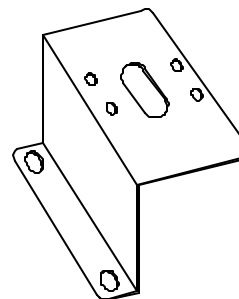


Thermostat, Rinse Tank  
5930-121-71-29

Decal, Thermostat Regulating  
9905-011-84-31

Thermostat, High Limit  
5930-011-49-43

Decal, High Limit  
9905-011-84-32



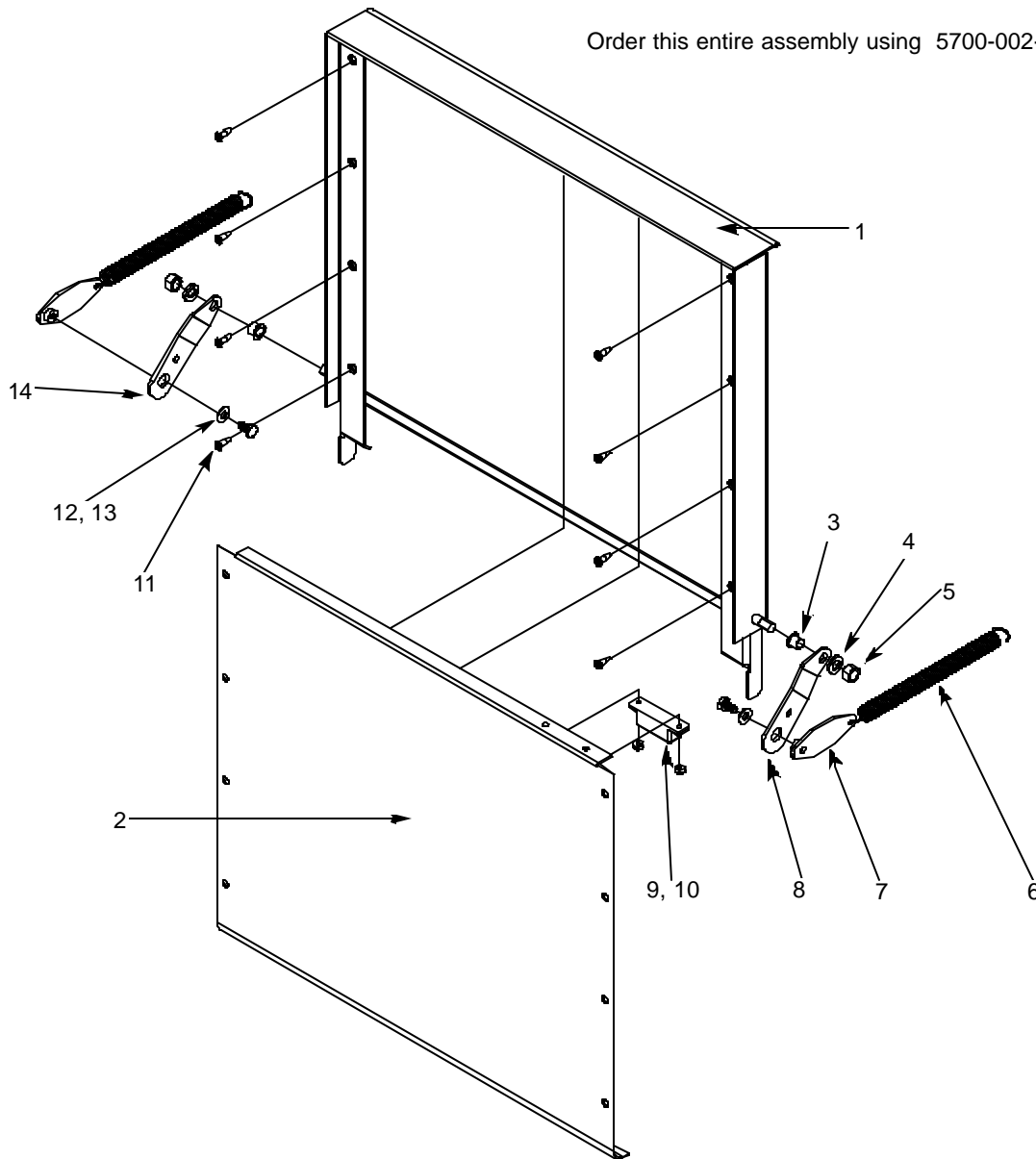
Thermostat Mounting Bracket  
5700-\*011-81-64

The thermostat attaches with 2:  
Screw, 6-32 x 3/8" Sems w/External Tooth Washer  
5305-002-25-91



## DOOR ASSEMBLY

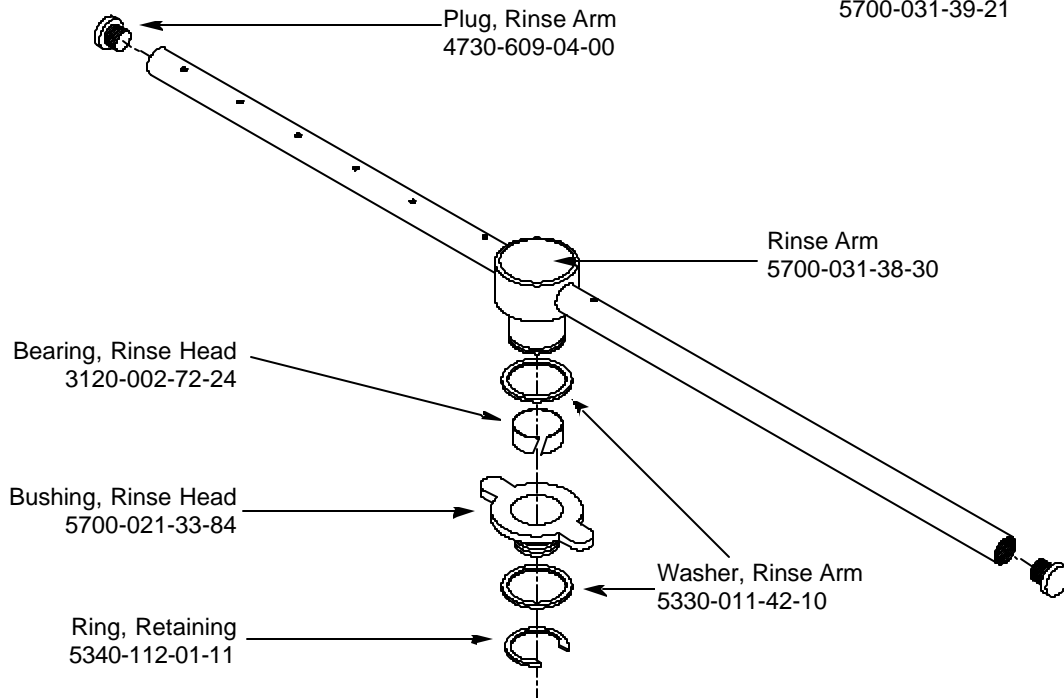
Order this entire assembly using 5700-002-59-46



ITEM	QTY	DESCRIPTION	Mfg. No.
1	1	Door Weldment	5700-002-59-37
2	1	Inner Door Weldment	5700-002-71-80
3	2	Bearing, Nyliner Standard Flanged	3120-002-71-66
4	2	Lockwasher, 3/8" S/S	5311-276-01-00
5	2	Locknut, 3/8"-16 S/S Hex with Nylon Insert	5310-011-72-55
6	2	Spring, Door	5340-011-44-58
7	2	Door Lever Weldment	5700-002-72-97
8	1	Lever, Door, Left Hand	5700-002-71-64
9	2	Magnet, Reed Switch	5930-002-68-53
10	6	Nut, 8-32 Hex Locking	5310-272-02-00
11	8	Screw, Cross Recessed Flat Countersunk Tapping	5305-002-71-12
12	2	Bolt, 1/4"-20 x 1/2" Long	5305-274-02-00
13	2	Washer, 1/4" I.D. S/S	5311-174-01-00
14	1	Lever, Door, Right Hand	5700-002-72-96

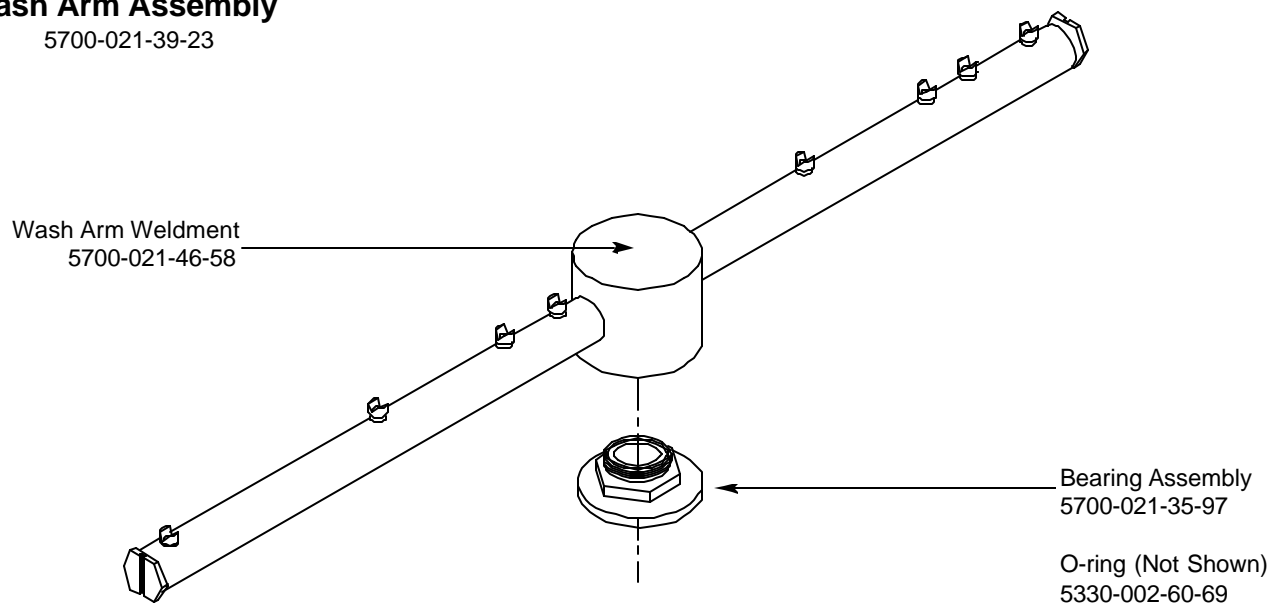
### Rinse Arm Assembly

5700-031-39-21

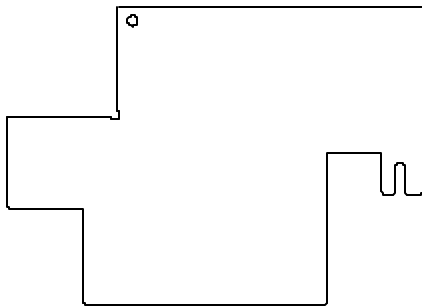


### Wash Arm Assembly

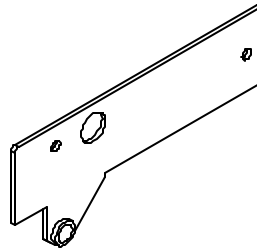
5700-021-39-23



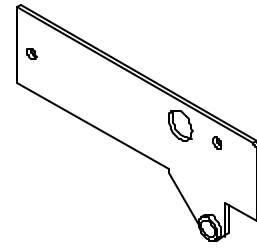
MISCELLANEOUS PARTS



Back Panel  
5700-031-44-33



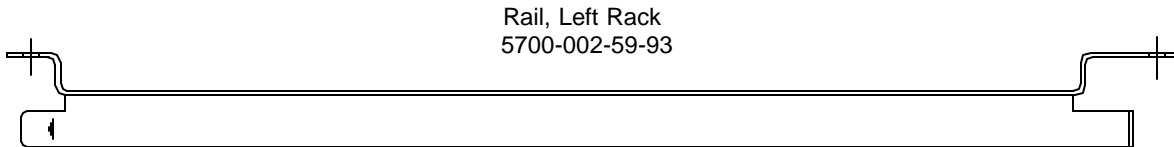
Right Hinge Plate Weldment  
5700-002-59-40



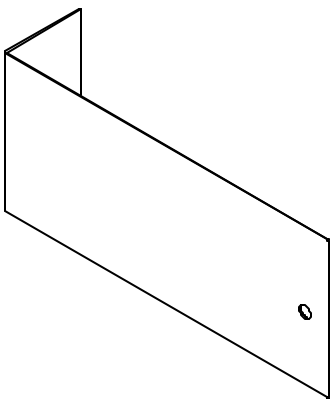
Left Hinge Plate Weldment  
5700-002-59-39



Rail, Right Rack  
5700-002-59-94

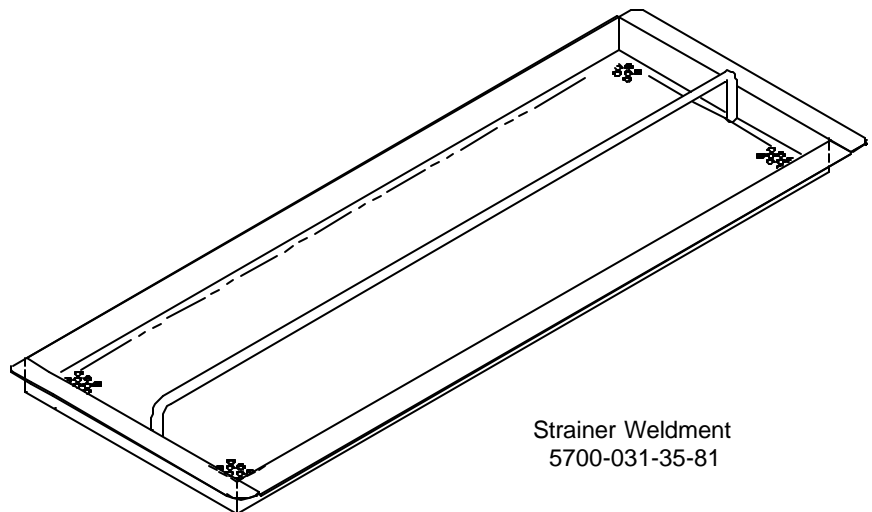


Rail, Left Rack  
5700-002-59-93

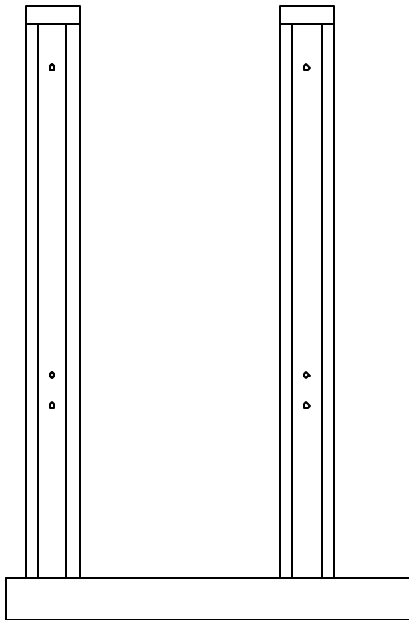


Strainer Spacer  
5700-002-70-60

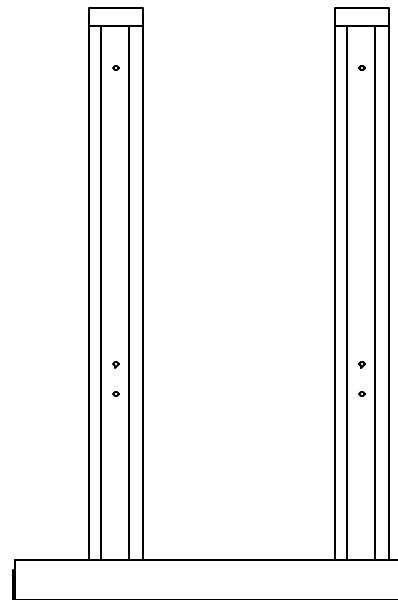
Attaches with:  
Nut, Nylon Wing, 1/4"-20  
5310-994-01-00



Strainer Weldment  
5700-031-35-81

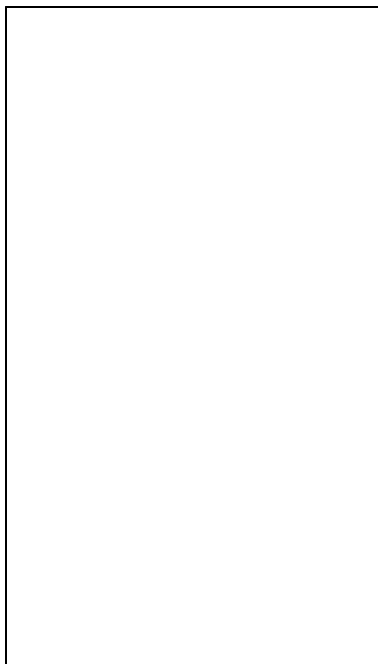


Right Frame Weldment  
5700-002-59-36

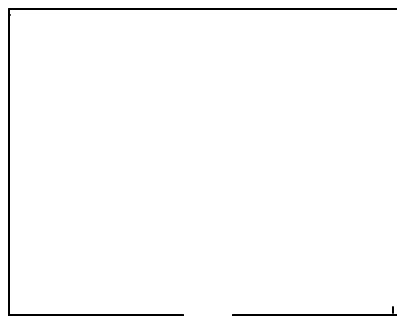


Left Frame Weldment  
5700-002-59-35

The swivel feet used on the unit may be ordered using 5340-002-71-71

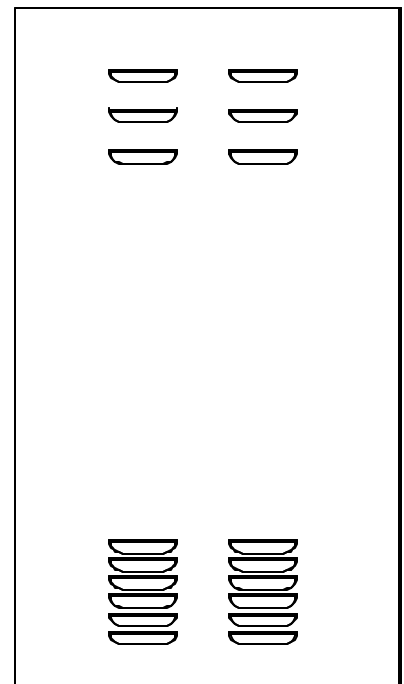


Left Dress Panel  
5700-002-71-03



Top Panel  
5700-002-71-10

The Panels are secured with  
10-32 x 1/2" Truss Head Screws  
5305-011-39-36

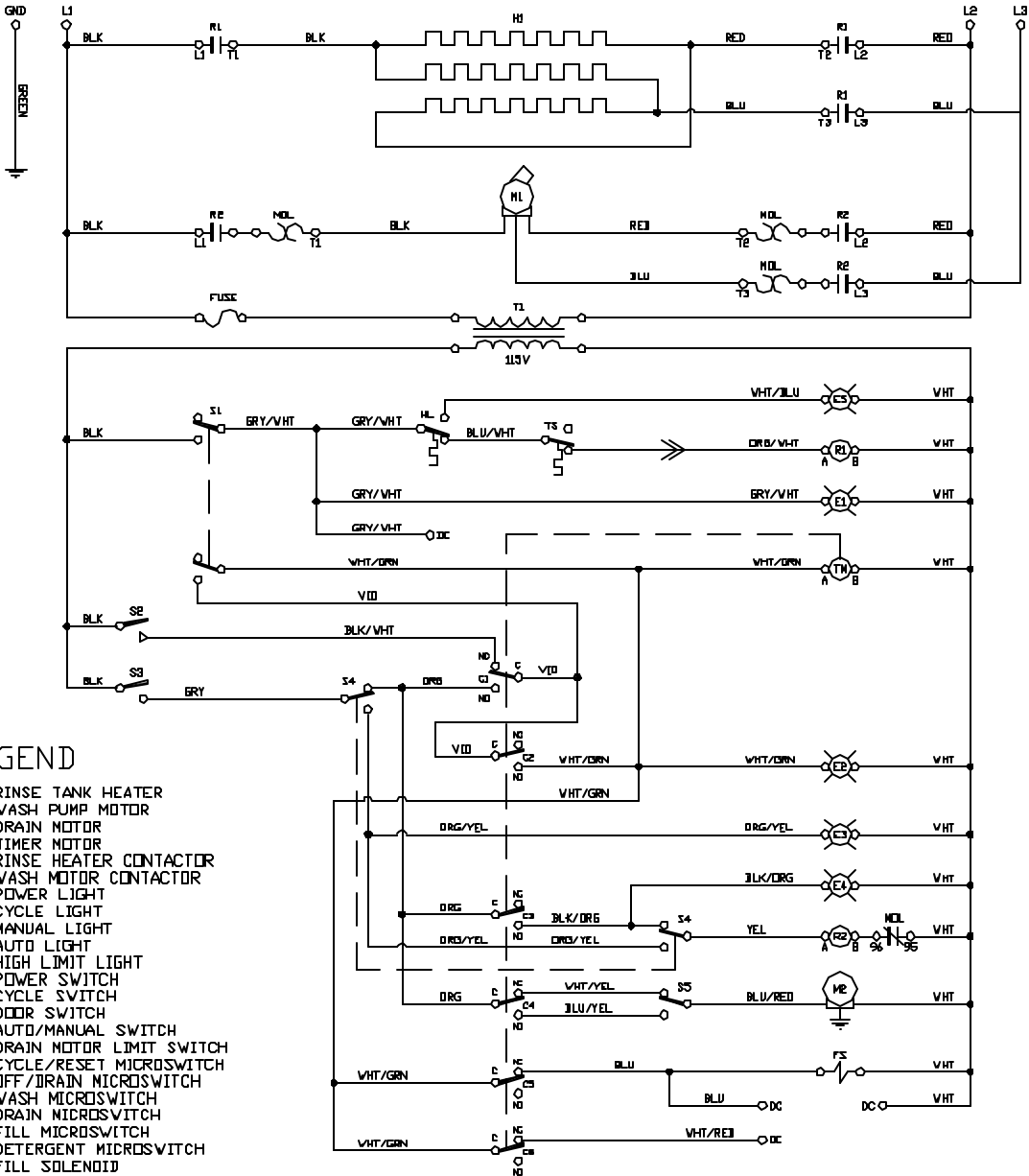


Right Dress Panel  
5700-002-71-07

---

# **SECTION 7: ELECTRICAL DIAGRAMS**

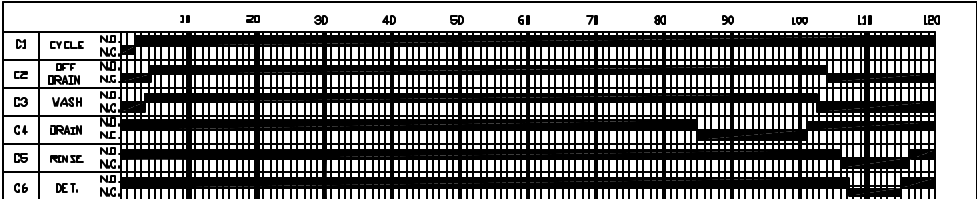
JPX-300NSU 460 VOLT, 60 HERTZ, THREE PHASE



LEGEND

- H1 RINSE TANK HEATER
- M1 WASH PUMP MOTOR
- M2 DRAIN MOTOR
- TM TIMER MOTOR
- R1 RINSE HEATER CONTACTOR
- R2 WASH MOTOR CONTACTOR
- E1 POWER LIGHT
- E2 CYCLE LIGHT
- E3 MANUAL LIGHT
- E4 AUTO LIGHT
- E5 HIGH LIMIT LIGHT
- S1 POWER SWITCH
- S2 CYCLE SWITCH
- S3 DOOR SWITCH
- S4 AUTO/MANUAL SWITCH
- S5 DRAIN MOTOR LIMIT SWITCH
- C1 CYCLE/RESET MICROSWITCH
- C2 OFF/DRAIN MICROSWITCH
- C3 WASH MICROSWITCH
- C4 DRAIN MICROSWITCH
- C5 FILL MICROSWITCH
- C6 DETERGENT MICROSWITCH
- FS FILL SOLENOID
- TS RINSE HEATER THERMOSTAT
- HL HIGH LIMIT THERMOSTAT
- NOL WASH MOTOR OVERLOAD
- IC DISPENSER CONNECTION

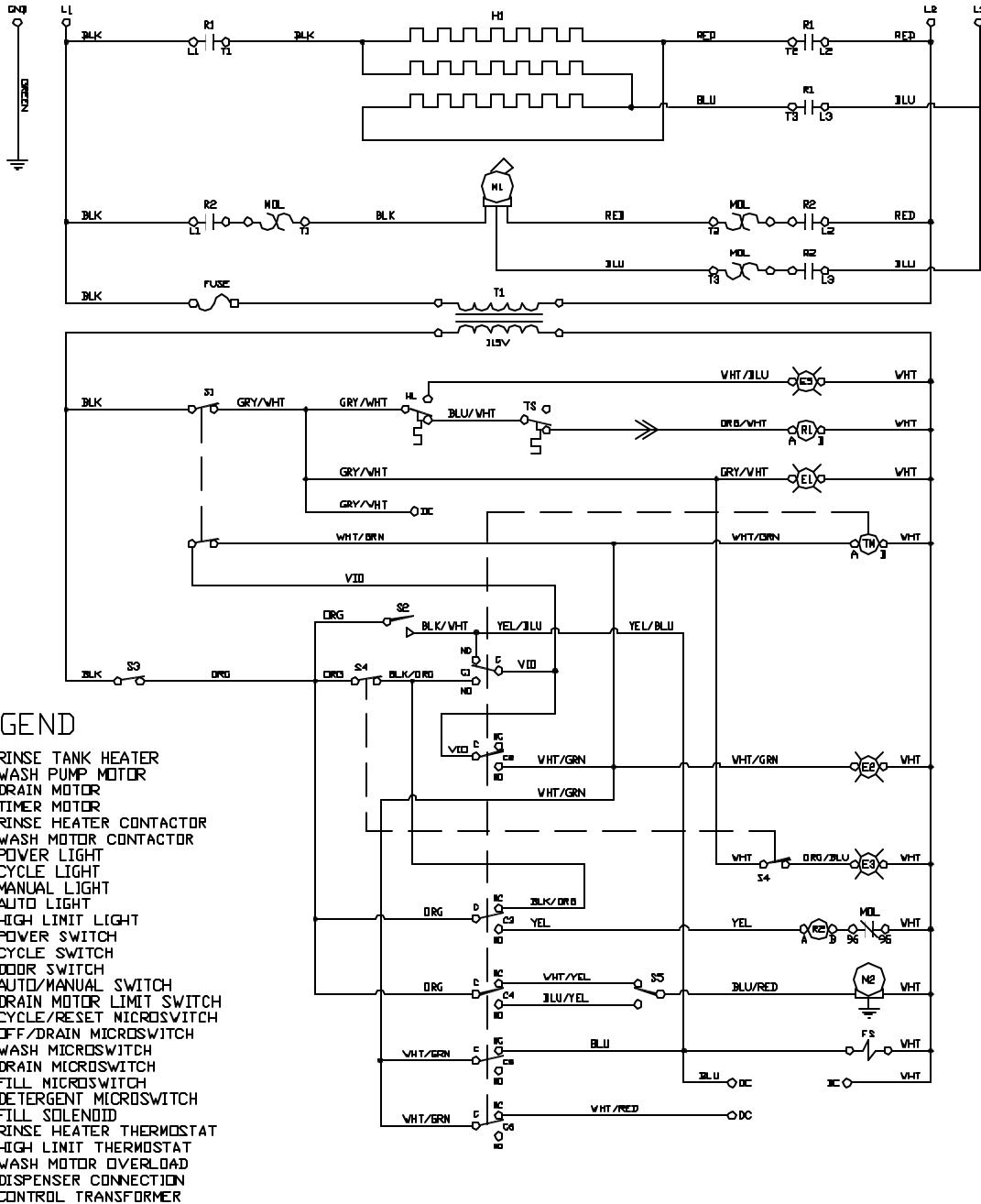
TIMING CHART



9905-002-75-12a

SECTION 7: ELECTRICAL DIAGRAMS

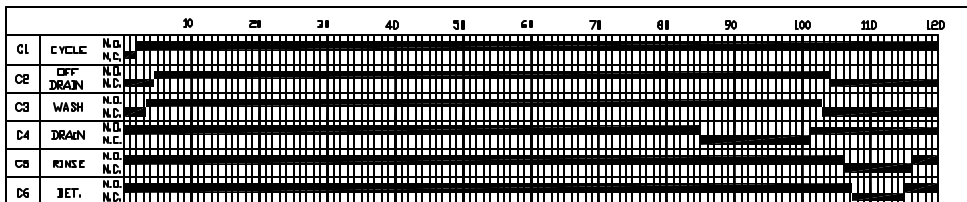
JPX-300NSU 460 VOLT, 60 HERTZ, THREE PHASE (WITH STAINLESS STEEL SWITCHES)



LEGEND

- H1 RINSE TANK HEATER
- M1 WASH PUMP MOTOR
- M2 DRAIN MOTOR
- TM TIMER MOTOR
- R1 RINSE HEATER CONTACTOR
- R2 WASH MOTOR CONTACTOR
- E1 POWER LIGHT
- E2 CYCLE LIGHT
- E3 MANUAL LIGHT
- E4 AUTO LIGHT
- E5 HIGH LIMIT LIGHT
- S1 POWER SWITCH
- S2 CYCLE SWITCH
- S3 DOOR SWITCH
- S4 AUTO/MANUAL SWITCH
- S5 DRAIN MOTOR LIMIT SWITCH
- C1 CYCLE/RESET MICROSWITCH
- C2 OFF/DRAIN MICROSWITCH
- C3 WASH MICROSWITCH
- C4 DRAIN MICROSWITCH
- C5 FILL MICROSWITCH
- C6 DETERGENT MICROSWITCH
- F5 FILL SOLENOID
- TS RINSE HEATER THERMOSTAT
- HL HIGH LIMIT THERMOSTAT
- MDL WASH MOTOR OVERLOAD
- DC DISPENSER CONNECTION
- T1 CONTROL TRANSFORMER

TIMING CHART



9905-002-75-12C



## Free Manuals Download Website

<http://myh66.com>

<http://usermanuals.us>

<http://www.somanuals.com>

<http://www.4manuals.cc>

<http://www.manual-lib.com>

<http://www.404manual.com>

<http://www.luxmanual.com>

<http://aubethermostatmanual.com>

Golf course search by state

<http://golfingnear.com>

Email search by domain

<http://emailbydomain.com>

Auto manuals search

<http://auto.somanuals.com>

TV manuals search

<http://tv.somanuals.com>