



**ESPREE™ BATHTUB
SERIES**

INSTALLATION AND OPERATION INSTRUCTIONS

Jacuzzi® Luxury Bath

14525 Monte Vista Avenue
Chino, CA 91710
1-800-288-4002
www.jacuzzi.com

Contents

Contents.....	3
Product Information.....	3
Safety instructions.....	4
Operational Safety instructions.....	6
Introduction.....	8
Inspection and Testing.....	10
Framing and Support.....	11
Electrical Connections.....	12
Drop-in Installation.....	14
3-Wall Alcove Installation.....	16
Skirt Installation.....	16
Cleanup.....	17
Operation.....	17
Whirlpool Control.....	18
Purging the Whirlpool System.....	19
Bathtub Additives.....	19
Maintenance.....	19
Troubleshooting Procedures.....	20
Technical Specifications.....	21
Authorized Service.....	26
Warranty.....	27

Product Information

Save these instructions for future use. Use the form below to record your model and serial number for future reference.

Date Purchased _____

Purchased From _____

Installed By _____

Serial Number _____

Model _____

Installer: Leave the manual for the homeowner.

Homeowner: Read this manual and keep for future reference.

Safety Instructions**INSTRUCTIONS PERTAINING TO A RISK OF FIRE, ELECTRIC SHOCK, OR INJURY TO PERSONS.**

This is a professional grade product. A knowledge of construction techniques, plumbing and electrical installation according to codes are required for proper installation and user satisfaction. We recommend that a licensed contractor perform the installation of all Jacuzzi® Luxury Bath products. Our warranty does not cover improper installation related problems.



CAUTION: When using this unit, basic precautions should always be performed, including the following:

- **READ AND FOLLOW ALL INSTRUCTIONS. SAVE THESE INSTRUCTIONS.**

- Use this unit only for its intended use as described in this manual. Do not use attachments not recommended by the manufacturer.
- Never drop or insert any object into any opening.



WARNING: RISK OF ACCIDENTAL INJURY OR DROWNING!

Do not permit children to use this unit unless they are closely supervised at all times. Do not use hydromassage bathtubs unless all suction guards are installed to prevent body and hair entrapment. Never operate the hydromassage bath if the suction cover is broken, damaged or missing



DANGER: RISK OF SEVERE INJURY FROM ELECTRIC SHOCK OR DEATH FROM ELECTROCUTION!











This unit must be connected only to a supply circuit that is protected by a 15 amp ground fault circuit interrupter (GFCI). Such a GFCI should be provided by the installer and should be tested on a routine basis. To test the GFCI, push the test button. The GFCI should interrupt power. Push the reset button. Power should be restored. If the GFCI fails to operate in this manner, the GFCI is defective. If the GFCI interrupts power to the bathtub without the test button being pushed, a ground current is flowing, indicating a possibility of an electric shock. Do not use this hydromassage bathtub. Disconnect the hydromassage bathtub and have the problem corrected by a qualified service representative before using.



WARNING: RISK OF ELECTRIC SHOCK!

Do not permit electrical appliances (such as a hair dryer, lamp, telephone, radio or television) within 60" (1524mm) of this hydromassage bathtub. Connect only to a circuit protected by a ground fault circuit interrupter (GFCI). (For permanently connected units) A green colored terminal (or a wire connector) marked "G," "GR," "GROUND," or "GROUNDING" is provided within the terminal compartment. To reduce the risk of electric shock, connect the terminal or connector to the grounding terminal of your electric service or supply panel with a conductor equivalent in size to the circuit conductors supplying the equipment.

Safety Instructions (Cont)

-  **WARNING:** Do not operate this unit without the guard over the intake for the circulation pump (suction cover/strainer).
-  **CAUTION:** This equipment is intended for indoor use only. Install the equipment in accordance with these instructions. Use supply wires that are suitable for 167°F (75°C), including the temperature rating of the supply conductors to be used. This unit should be electrically grounded and installed by a licensed contractor, electrician, and plumber. Building materials and wiring should be routed away from the motor/pump or blower or other heat producing components of this unit. A pressure wire connector is provided on the exterior of the motor/pump and heater to permit connection of an No. 8 AWG solid copper bonding conductor between this unit and all other electric equipment and exposed metal in the vicinity, as needed to comply with local requirements.
-  **When using this electrical equipment, basic safety precautions should always be followed, including the following:**
-  **WARNING:** RISK OF ACCIDENTAL INJURY OR DROWNING! CHILDREN SHOULD NOT USE HYDROMASSAGE BATHTUB WITHOUT ADULT SUPERVISION.
-  **WARNING:** RISK OF ACCIDENTAL INJURY OR DROWNING! DO NOT USE HYDROMASSAGE BATHTUB UNLESS ALL SUCTION GUARDS ARE INSTALLED TO PREVENT BODY AND HAIR ENTRAPMENT.
-  **WARNING:** TO AVOID INJURY, EXERCISE CARE WHEN ENTERING OR EXITING THE HYDROMASSAGE BATHTUB.
-  **WARNING:** RISK OF ACCIDENTAL INJURY OR DROWNING! DO NOT USE DRUGS OR ALCOHOL BEFORE OR DURING THE USE OF A HYDROMASSAGE BATHTUB EQUIPPED WITH A HEATER TO AVOID UNCONSCIOUSNESS AND POSSIBLE DROWNING.
-  **WARNING:** RISK OF FETAL INJURY! PREGNANT OR POSSIBLY PREGNANT WOMEN SHOULD CONSULT A PHYSICIAN BEFORE USING A HYDROMASSAGE BATHTUB EQUIPPED WITH A HEATER.
-  **WARNING:** RISK OF HYPERTHERMIA AND POSSIBLE DROWNING: DO NOT USE A HYDROMASSAGE BATHTUB EQUIPPED WITH A HEATER IMMEDIATELY FOLLOWING STRENUOUS EXERCISE.
-  **SAVE THESE INSTRUCTIONS .**

Operational Safety Instructions**WARNING:****RISK OF HYPERTHERMIA AND POSSIBLE DROWNING!**

Do not use a hydromassage bathtub equipped with a heater immediately following strenuous exercise.

**WARNING:****RISK OF ELECTRICAL SHOCK!**

- Do not operate hydromassage system unless the bath is filled with water to at least 1-2" (25-51 mm) above the highest jet.
- Do not immerse the control panel by overfilling the bath.
- When cleaning your bath, do not use abrasive substances which will damage the bath's surface.
- To prevent discoloration of the acrylic finish, do not fill the bath with water in excess of 140°F (60°C).

**WARNING:****PROLONGED IMMERSION IN HOT WATER MAY INDUCE HYPERTHERMIA!**

Hyperthermia occurs when the internal temperature of the body reaches a level several degrees above the normal body temperature of 98.6°F (37°C). The symptoms of hyperthermia include an increase in the internal temperature of the body, dizziness, lethargy, drowsiness and fainting. The effects of hyperthermia include:

- A. Failure to perceive heat.
- B. Failure to recognize the need to exit the bath.
- C. Unawareness of impending hazard.
- D. Fetal damage in pregnant women.
- E. Physical inability to exit the bath.
- F. Unconsciousness resulting in danger of drowning.










**WARNING:****RISK OF FETAL INJURY!**

Pregnant or possibly pregnant women should consult a physician before using a hydromassage bathtub equipped with a heater.

**WARNING:**

Keep body and hair a minimum of 6" (152mm) away from the suction fitting at all times when the hydromassage system is in operation. Hair longer than shoulder length should be secured close to the head.

Operational Safety Instructions (cont)

-  **WARNING:** The use of alcohol, drugs or medication can greatly increase the risk of fatal hyperthermia. People using medications or having an adverse medical history should consult a physician before using a hydromassage bathtub equipped with a heater.
-  **WARNING:** Do not tamper with user-operated controls or such devices.
-  **WARNING:** Use this unit only for its intended use as described in this manual. Do not use attachments not recommended by the manufacturers.
-  **WARNING:** To avoid injury, exercise caution when entering or exiting the hydromassage bathtub.
-  **WARNING:** Do not use hydromassage bathtub unless all suction guards are installed to prevent body and hair entrapment. Never operate the hydromassage bath if the suction cover is broken, damaged or missing.
-  **WARNING:** Water temperature in excess of 104°F (40°C) may be injurious to your health. Check and adjust water temperature before use.
-  **CAUTION:** Test the ground fault circuit interrupter protecting this appliance periodically in accordance with manufacturer's instructions.
-  **IMPORTANT:** Read the complete instructions provided in this manual before beginning installation.
-  **IMPORTANT:** For optimal operation, the water level must remain at 1" to 2" (25mm to 50mm) above the highest jet; do not use oil-based bathtub additives in your hydromassage bathtub.

The Company has obtained applicable code (standards) listings generally available on a national basis for products of this type. It is the responsibility of the installer/owner to determine specific local code compliance prior to installation of the product. The Company makes no representation or warranty regarding, and will not be responsible for any code compliance. Product specifications are subject to change without notice.

Introduction

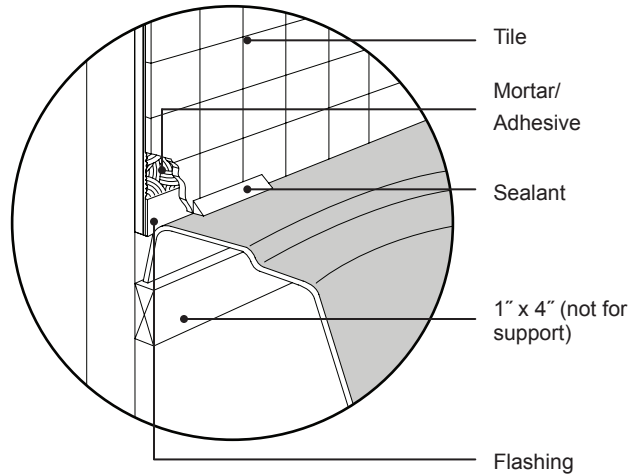
The drain/overflow of the bath extends below the bottom of the bath. Please refer to the "Technical Specifications" section for dimensions and rough-in information.

The floor structure beneath the bath must be able to support a total weight of bath, water, and bather. Refer to the table under total weight for your model.

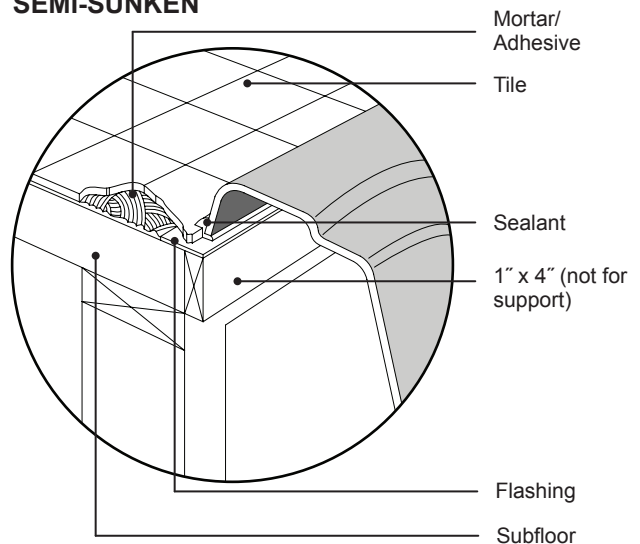
The unit must be supported from the bottom of the bath and **not** from the bath rim or tile flange. If the subfloor is level and a continuous surface, no other preparation is necessary. You can proceed to install the bath. If the subfloor is not level, you must level the entire surface prior to installing the bath. The use of materials that shim or provide a level installation are allowed provided the method used will insure a level bath that is supported from the bottom. Materials that may be used are a floor leveling compound, mortar, plaster or minimal expansion structural foam having a density of a minimum of 5 lbs./cubic ft.; however, the bath must remain level in order for it to drain properly and all foam feet must make full contact with the leveling material. Both sides of a joint or splice of subfloor should be level to each other. When attaching baths with flanges to stud wall, use shims to fill any gaps between the bath flange and studs.

The rim of the bath is not designed to support weight. If finish material is to overlap or contact the bath, the added weight must be fully self-supporting.

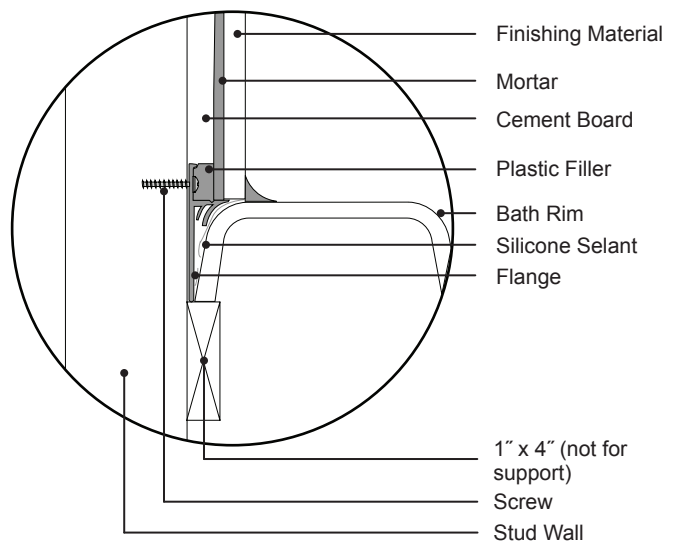
FLUSH TO THE WALL



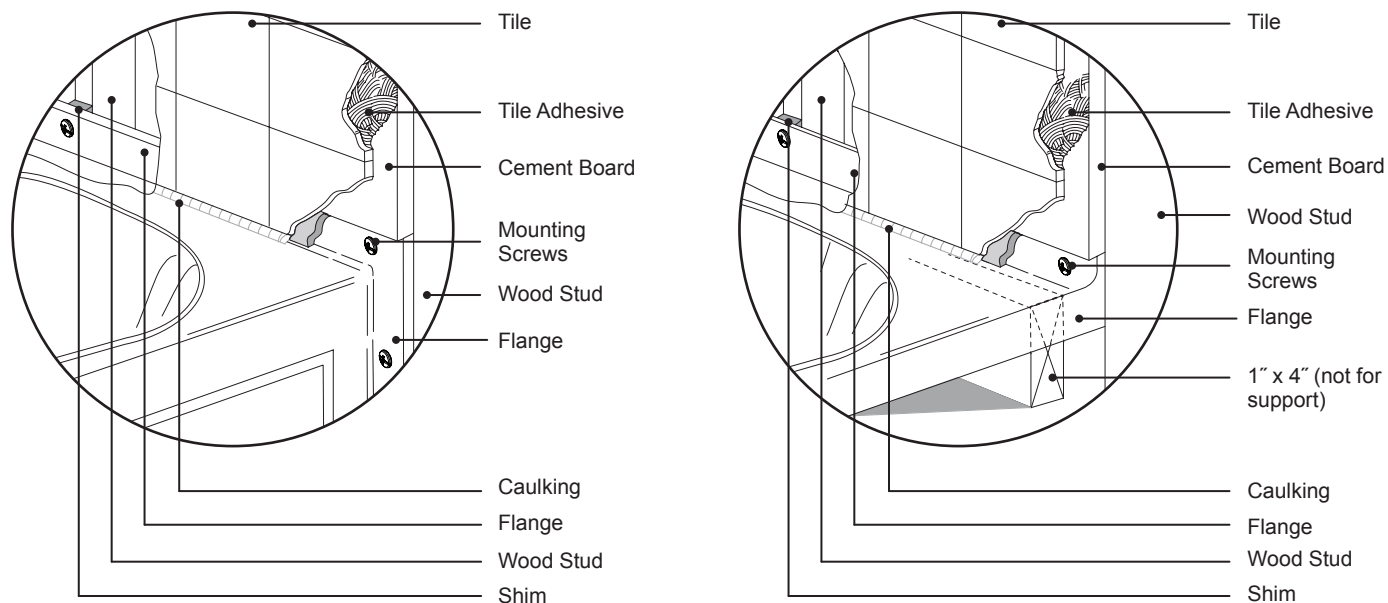
SEMI-SUNKEN



OPTIONAL TILE FLANGE KIT



Typical Flange Mounting Detail

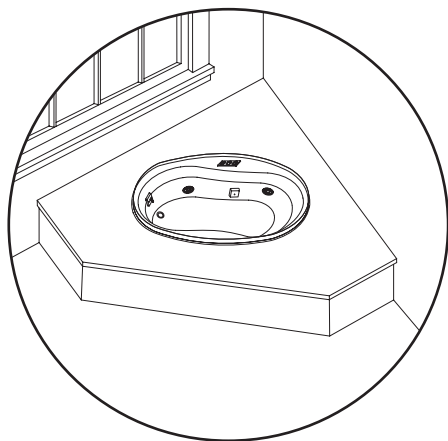


The shims may be used to tighten and secure any remaining gaps between the flange and the stud.

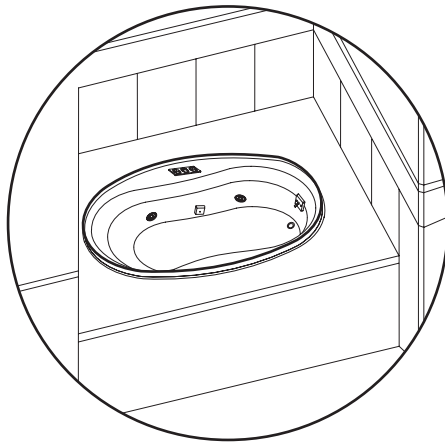
Undermount Installation Options



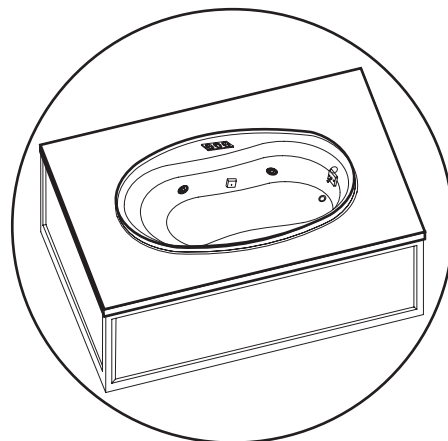
The undermount allows for the opportunity to be flexible in the design and location of the bathtub. Examples are shown for possible installations. Refer to the "Undermount Installation" section.



CORNER



NICHE



FREE STANDING

Inspection and Testing

Visual Inspection

- 1 Remove the bathtub from the shipping carton. Be careful not to scratch the surface of the bathtub on exposed staples. Remove the staples or fold them into the carton. Retain the carton until satisfactory inspection of the product has been made. Do not lift the bathtub by the plumbing at any time; handle by the shell only.
- 2 Inspect the shell and bathtub components. Should inspection reveal any damage or defect in the finish or visible damage to any components, do not install the bathtub. Damage or defect to the finish claimed after the bathtub is installed is excluded from the warranty. Jacuzzi Luxury Bath's responsibility for shipping damage ceases upon delivery of the products in good order to the carrier.
- 3 Refer any claims for damage to the carrier. For definitions of warranty coverage and limitations, refer to the published warranty information packed with the product or in the back of this manual.

Bathtub Water and Operational Test

All bathtub units are factory tested for proper operation and watertight connections prior to shipping. However, the unit must be retested by the installer prior to installation. Jacuzzi Luxury Bath is not responsible for any defect that could have been discovered, repaired, or avoided by following this inspection and testing procedure:

- 1 Place the bathtub on a level surface, near appropriate electrical supply, water supply, and water drainage. A driveway is a suitable choice.
- 2 Seal the drain and overflow hole with tape or a stopper and fill the bathtub to the bottom of the overflow hole.
- 3 Allow bathtub to stand for 5 minutes.
- 4 Plug in motor/pump and turn unit on. Confirm that all features function as described in the Operation section of this manual. Do not install the bathtub if bathtub fails to operate as described.
- 5 Visually inspect all joints for leaks. Do not install the bathtub if leaks are detected.
- 6 Return bathtub to box or otherwise protect from damage until time of installation.

Framing and Support

A Technical Specifications section has been included with in this manual. The Technical Specifications section will contain pertinent information regarding your Jacuzzi Luxury Bath product.

Frame out the space where the bathtub is to be located. The following should be taken into consideration when preparing the area:

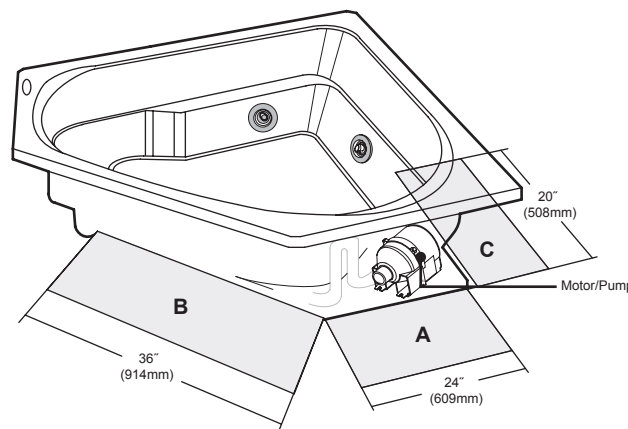
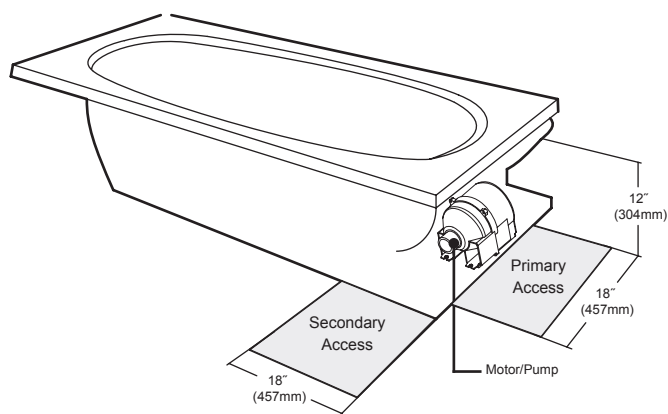
- Dimensions provided on rough-in diagrams are nominal. Measure your actual unit upon receipt and build according to the actual dimensions.
- The floor structure beneath the bathtub must be able to support the total weight of the bathtub, water and bather.
- The unit must be supported from the bottom of the bathtub and not from the bathtub rim. For drop-in installations, take into account the thickness of the surround material and finishing material (marble, tile, etc.).
- Ensure the rim will rest on a level surface.
- Per code, access must be provided to the motor/pump for your specific model. Primary and secondary service access locations are shown in the rough-in diagrams contained in the Technical Specifications Manual.



It is the responsibility of the installer, building contractor, or owner to provide access for service. Jacuzzi is not responsible for any costs relating to obtaining access for repair. The owner shall bear such costs and, if appropriate, must seek recovery from the installer.

- Provide adequate ventilation for cooling and supply sufficient air for the motor/pump. Do not insulate around the equipment.
- Your bathtub may have motor/pump parts that extend beyond the rim of the bathtub. Refer to the rough-in diagrams included in the warranty pack and construction framing to correctly accommodate.

Common Access Locations



- A** = Primary access
- B** = Acceptable alternative if access **A** is not possible
- C** = Secondary access for equipment (optional)






Left hand unit access is on the opposite side (mirror).

Subfloor

Prepare the subfloor for the drain and ensure that the area is level.

- 1 The drain/overflow of the bathtub extends below the bottom of the bathtub. Identify the drawing in the Technical Specifications Manual that corresponds with your bathtub.
- 2 Make appropriate cuts to the subfloor to accommodate the drain.
- 3 Jacuzzi's Tru-Level™ base is a standard feature on all bathtubs. If the subfloor is level and a continuous surface, no other preparation is necessary. Proceed to the "Installation" section.
- 4 If the subfloor is not level, you must level the entire surface prior to installing the bathtub. The materials used will insure that the bathtub is supported from the bottom. These materials include: leveling compound, mortar, plaster or minimal expansion structural foam (having a density of a minimum 5lbs/cubic foot). The bathtub must remain level in order for it to drain properly and must make contact with the leveling material. Both sides of a joint or splice of subfloor should be level to each other.

Electrical Connections


-  Risk of electric shock. Connect only to a circuit protected by a GFCI.
-  When using electrical products, basic precautions should always be followed:
 - Always follow local building and electrical codes.
 - Grounding is required. The unit should be installed and grounded by a qualified electrician.
-  A heater comes standard on all Espree™ corner bath models.

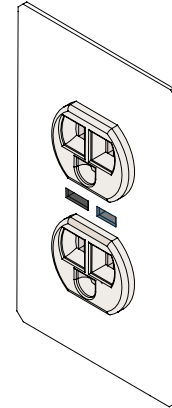
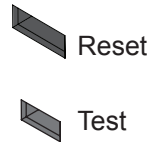
Two separate GFCI protected circuits are required.

A separate, 120VAC, 15 Amp GFCI circuit is required for the pump/motor.



If installing the optional heater, a separate and dedicated 120VAC, 15AMP, GFCI protected circuit is required.

If you are installing the optional heater, please refer to the provided installation and operation manual that comes packaged with the heater.

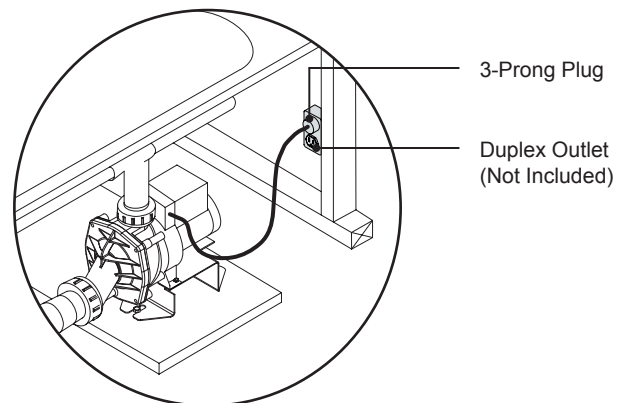
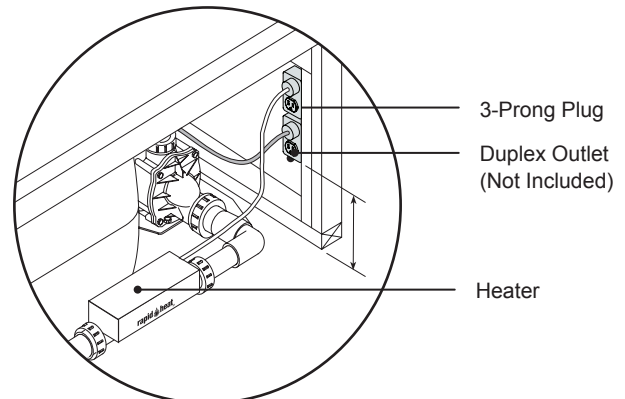
-  Risk of component overheat. Do not use electric extension cord to power this unit.
-  Operating the motor/pump without enough water in the bathtub can cause leaking and permanent damage.





Pump/Motor

- 1** For the pump/motor, install a 120 VAC, 15AMP, GFCI duplex outlet to the stud wall underneath the bathtub at 4" (101mm) above the floor. The duplex outlet is not supplied.
 -  The duplex outlet must be mounted 4" (101mm) above the floor line, or in accordance with local building and electrical codes.
 -  On the corner bathtubs, or 6060 bathtubs, a duplex junction box has been provided. To access, remove skirt access panel. See top views in Rough-In section for location.

A separate GFCI protected outlet (not provided) is required for pump/motor and is to be installed in the junction box. The junction box is to be hard wired. The motor is grounded to the junction box at the factory.
- 2** Using a #8 solid copper wire, ground the pump motor to the house electrical panel, or approved local ground. A grounding lug is provided on the pump motor
- 4** At initial start-up, and before each use thereafter with power ON, push the GFCI test button. The reset button should pop out.



-  Push this button in to reset. If the interrupter fails to operate in this manner, there is a ground current flowing or a device malfunction, indicating the possibility of electrical shock.
-  Turn OFF power and do not use the bathtub until the source of the problem has been identified and corrected.

Electrical Connection 6060 w/Heater

On the 6060 with integral skirt, one junction box has been provided for the pump/motor. The motor is bonded to the junction box at the factory. To access, remove skirt access panel.

A separate 120 VAVAC, 15 AMP dedicated circuit with GFCI protected outlet (commercially available) is required for heater and is to be installed in a junction box. The junction box is to be hard wired.

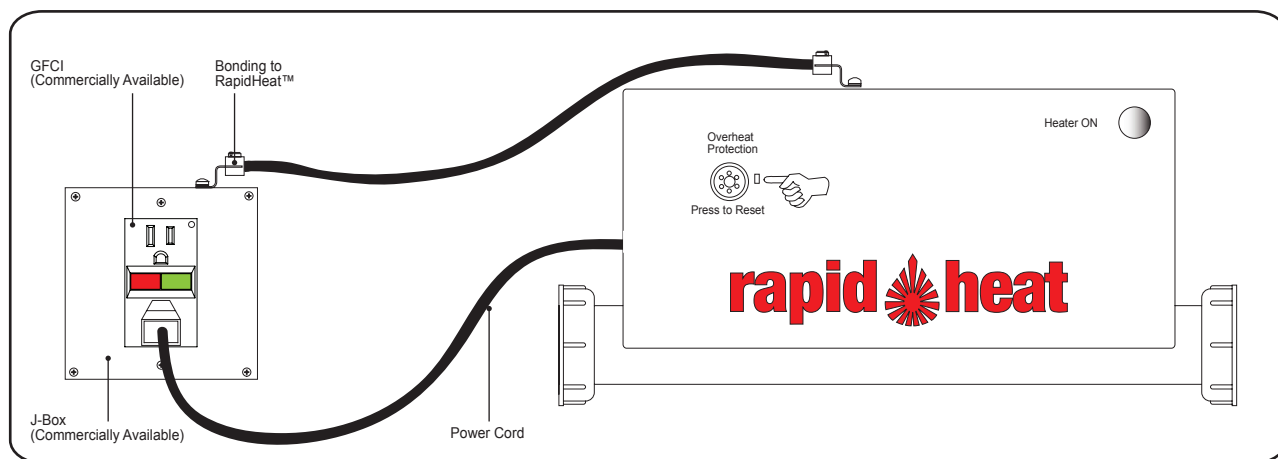
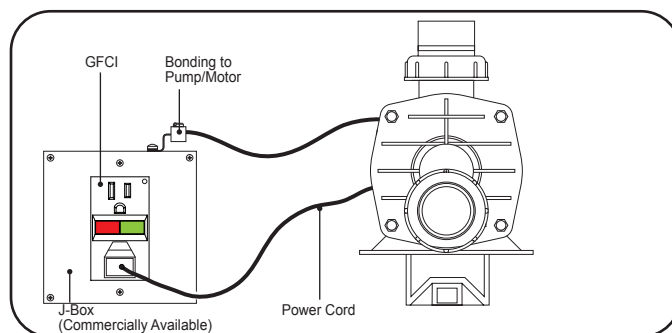
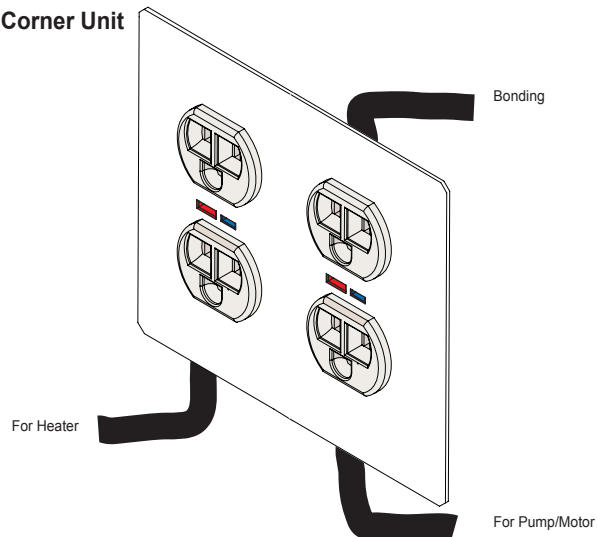
Follow the bonding instructions below:

- 1 With a #8 solid copper wire, bond the heater to the house electrical panel or approved local bond. A bonding lug is provided on the heater.

Initial Start-Up

- 1 Push the GFCI test button. The reset button should pop out.
- 2 Push this button in to reset. If the interrupter fails to operate in this manner, there is a ground current flowing or a device malfunction, indicating the possibility of electrical shock.
- 3 Turn off power and do not use the bath until the source of the problem has been identified and corrected.

6060 Corner Unit



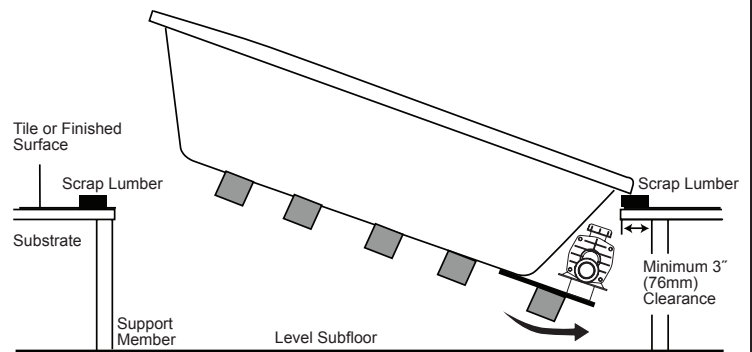
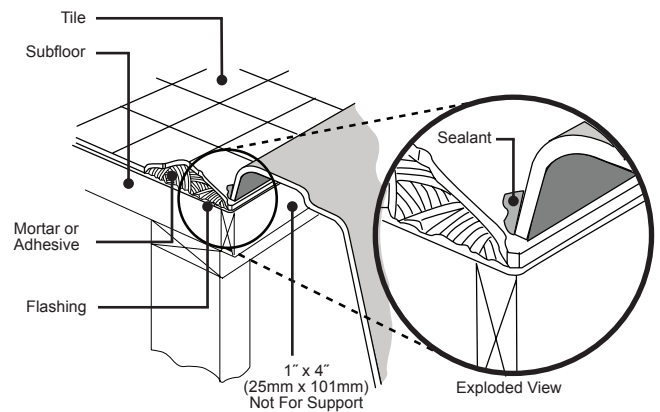
Drop-in Installation

⚠ Before you begin your installation, please read the following:

- Observe all local and building codes.
- Determine which tools will be used during the installation.
- Additional bathtub drain parts and plumbing are commercially available at plumbing and hardware stores.
- Drain/Overflow rough-in information is included with your bathtub in the installation instruction manual.

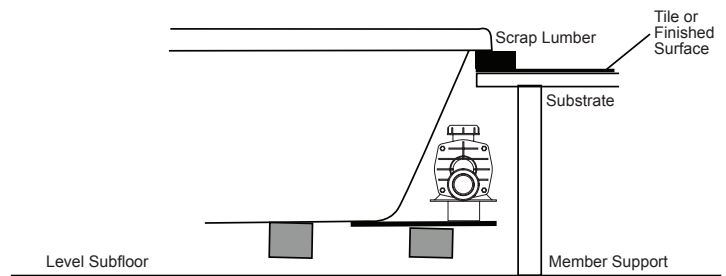
Complete the bathtub surround installation.

- 1 Install drain/overflow according to the manufacturer's instructions. Refer also to the Technical Specifications section.
- 2 Watertight installation of the drain is the installer's responsibility. Drain leakage is excluded from the Jacuzzi Luxury Bath warranty of this product.
- 3 Install the faucet at this time. It is recommended that the faucet be installed by a qualified plumber.
- 4 Proper installation of the spout plumbing and compliance with local codes are the responsibility of the installer. Jacuzzi Luxury Bath does not warrant connections of water supply fittings and piping, fill systems, or drain/overflow systems. Nor is it responsible for damage to the bathtub which may occur during installation.
- 5 A non-flammable protective barrier must be placed between the soldering work and the bathtub unit to prevent damage to the bathtub.
- 6 Prepare the cut-out hole for the bathtub using the cutout dimensions listed in the specifications table in the Technical Specifications section.
- 7 Complete all deck finish work and cover to protect from damaging while placing the bathtub.
- 8 Insulation may be placed within the bathtub surround.
- 9 Provide adequate ventilation around the motor/pump to ensure sufficient airflow and cooling.
- 5 Turn off power supply to dedicated GFCI protected circuits.
- 6 Place a piece of scrap lumber on each of the ends of the cutout – this will be used as a temporary support prior to lowering the bathtub fully into the opening.

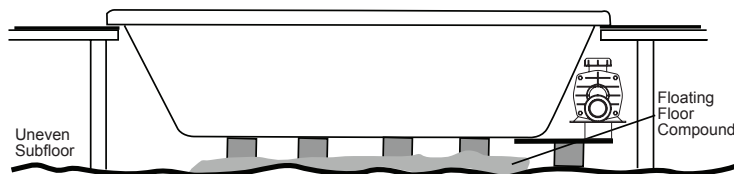
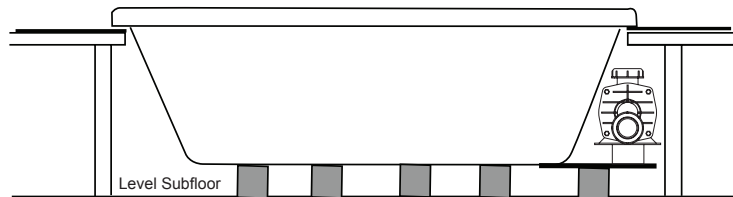


Drop-in Installation (con't)

- 7 Install the unit, inserting the motor/pump end first, lowering the bathtub into the opening as shown in the illustration.
- DO NOT use plumbing fixtures or lines to lower the unit. Allow the bathtub to rest on the supports.



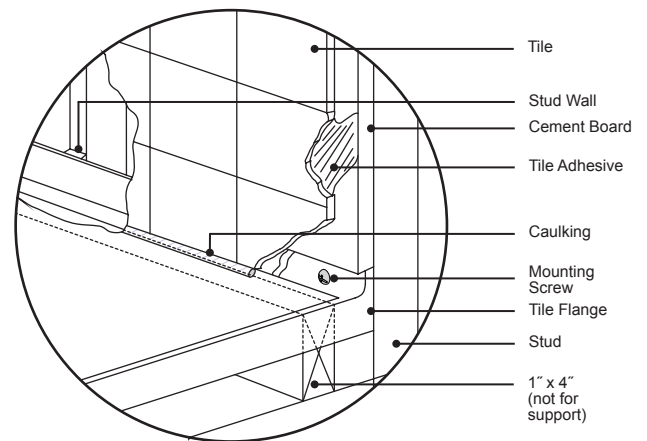
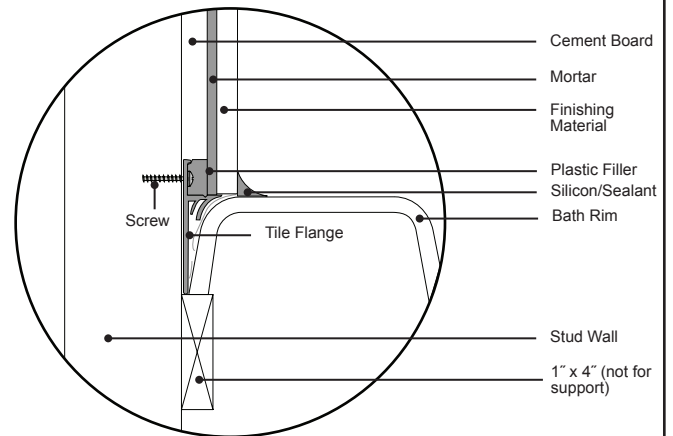
- Inspect all fittings, plumbing, and control lines after inserting to insure the components are not damaged, disconnected, or contacting the finish surface substrate or support members.
- 8 Connect flex water supply lines to faucet and plug power cords into GFCI outlets.
- 9 Remove scrap lumber and lower the bathtub fully into the opening and align the bathtub and connect the drain.
- 10 Turn on the power supply to the dedicated GFCI protected circuits and check system operation.
- Caulk around the perimeter of bathtub to seal the space between the rim and the finished deck.



3-Wall Alcove Installation

- 1 Install the drain/overflow according to the manufacturer's instructions. Refer also to the Technical Specifications section.
- ⚠️ Watertight installation of the drain is the installer's responsibility. Drain leakage is excluded from the Jacuzzi Luxury Bath warranty of this product.
- 2 Install the faucet at this time. It is recommended that the faucet be installed by a qualified plumber.
- 3 Install the flange (purchased separately) according to the instructions that are included with the kit. If the bathtub is equipped with an integrated flange, skip this step.
- 4 Place the bathtub into the niche. Screw the flange to the wood stud. It may be necessary to shim the unit to close up any gaps between the wood stud and the flange.
- 5 Insulation may be placed within the bathtub surround.
- 6 Turn off the power supply to the GFCI protected circuit.
- 7 Align the bathtub and connect the drain.
- 8 Connect flex water supply lines to faucet and plug power cords into GFCI outlet.
- 9 Inspect all fittings, plumbing, and control lines after inserting the bathtub to insure the components are not damaged, disconnected, or contacting the finish surface substrate or support members.
- 10 Turn on the power supply to the dedicated GFCI protected circuits and check system operation.

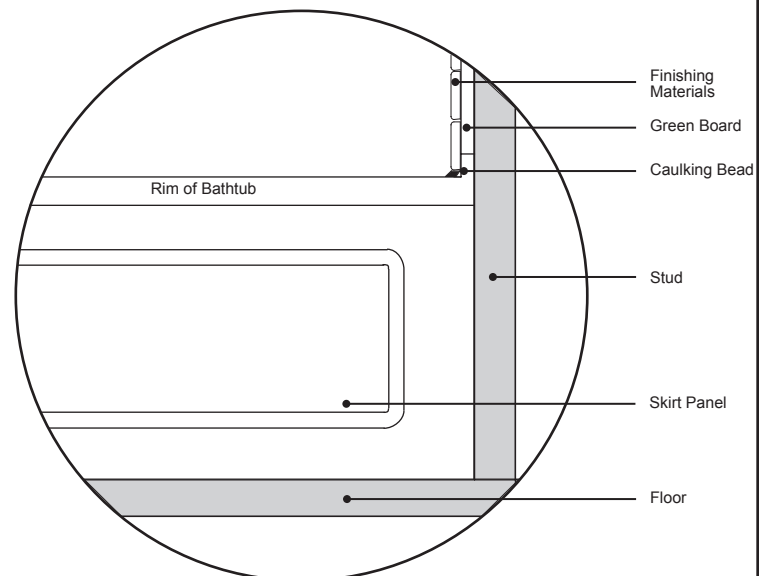
⚠️ Complete all finish work around the perimeter of bathtub to seal the space between the rim and the finished deck.



Skirt Installation

Bathtubs with an Integral Skirt

- 1 Screw skirt flanges into wall studs.
- ⚠️ It may be necessary to shim the unit to close any gaps between wall studs and the flanges.
- 2 Complete finish work over skirt flange.
- 3 Caulk around the perimeter of the skirt to seal the space between the skirt and the finished deck.



Cleanup


To avoid dulling and scratching the surface of the bathtub, never use abrasive cleaners. For most soiled surfaces, a mild liquid detergent and warm water is sufficient. The following is also recommended:

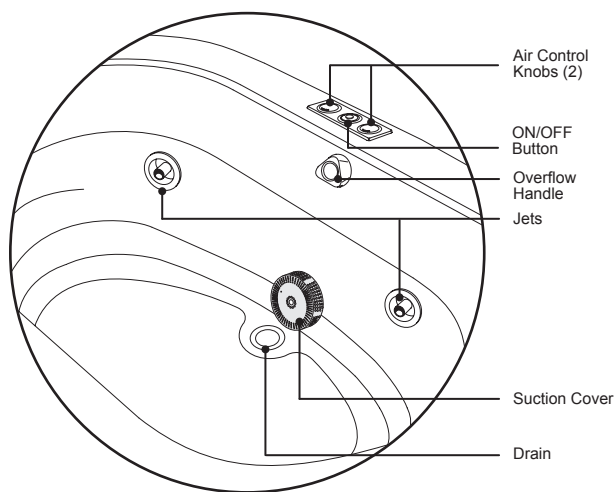
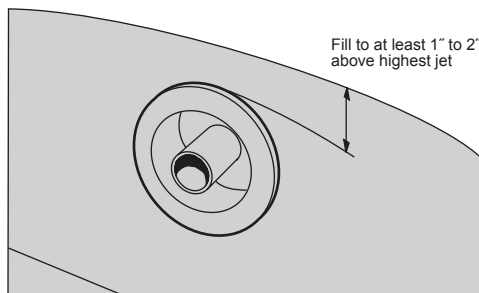
- Remove spilled plaster with a wood or plastic edge. Spots left by plaster or grout can be removed if lightly rubbed with detergent on a damp cloth or sponge. Do not use metal scrapers, wire brushes or other metal tools, as they will damage the bathtub's surface.
- Paint, tar, or other difficult stains can be removed with Fantastik® or soapy water.
- Minor scratches which do not penetrate the color finish can be removed by lightly sanding with 600-grit wet/dry sandpaper. You can restore the glossy finish to the acrylic surface of the bathtub with a special compound, Meguiar's #10 Mirror Glaze. If that is not available, use automotive rubbing compound followed by an application of automotive paste wax.
- Major scratches and gouges which penetrate the acrylic surface will require refinishing. Call Jacuzzi Luxury Bath to find a service agent in your area.

Operation

All bathtubs manufactured by Jacuzzi Luxury Bath are designed for "fill and drain," which means the bathtub should be drained after each use and filled with fresh water by the next bather. This is a health precaution, as these bathtubs are not designed to hold water continuously like pools or spas.

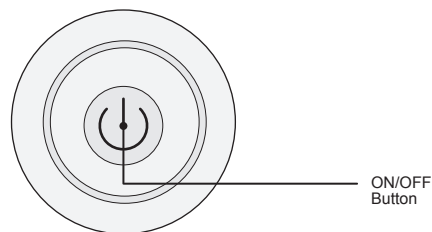
Close the drain and fill the bathtub until water is at least 1" to 2" (25mm to 51mm) above the highest jet (see water line indicated in the illustration). Do not turn on the whirlpool system at any time if the jets are not completely immersed in water. Running the whirlpool system when there is insufficient water in the bathtub could result in water spraying outside the bath area. Running the whirlpool system without water will damage the recirculating pump.

 When exiting the bathtub, the water level will drop below the jets which could result in water being sprayed out of the unit.



ON/OFF Button

The ON/OFF button, conveniently located on the bath, allows you to turn the whirlpool system on and off while in the bath. Simply push down on the switch button to turn on the whirlpool system. To turn the system off, push down on the button again.



Rapdheat™ Operation

Once the heater is installed and the whirlpool pump is operating, the heating function is totally automatic. The heater will help maintain the temperature of the water in the bath. The heater is designed to help maintain the temperature of the bath water once the water is added at the desired temperature level. It does not replace the need to have adequate hot water supply for the filling of the bath.

Vacuum Switch

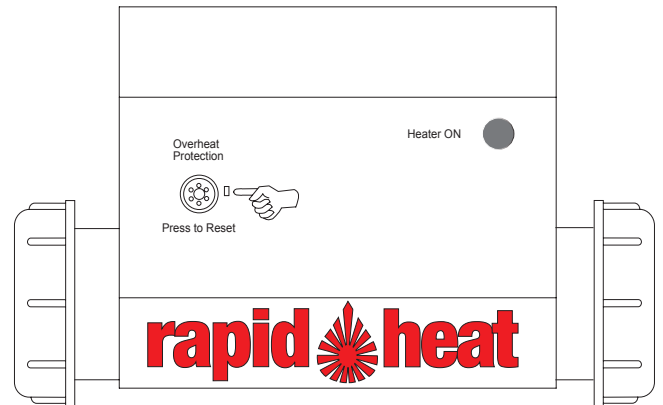
The heater is equipped with a preset vacuum switch which will not allow the heater to turn ON if the pump is not running with water flowing through the whirlpool system.

High-Limit Switch

The heater includes an exclusive High-Limit switch. This safety circuit will not false trip from hot tap water. It will only turn off the heater, if the thermostat fails. To reset, press the button.

Heater On Indicator

The light will be illuminated any time the heater is operating.



Whirlpool Control

The whirlpool action in your bath is influenced by three factors – direction of flow, force of water, and force of air. All baths manufactured by Jacuzzi Whirlpool Bath are equipped with fully adjustable PowerPro® jets, which are adjustable for all three factors. Some baths have additional directionally adjustable jets which can be adjusted for direction and flow of air only.

Direction

To change the direction of the water flow, swivel the jet nozzle to the desired angle. The jets can be directed individually toward any location on your body to provide a hydromassage. The jets can also be adjusted so that they all point in the same direction (clockwise or counterclockwise) to circulate the water in a circular motion around the bath, causing a total whirlpool effect.

Water Force

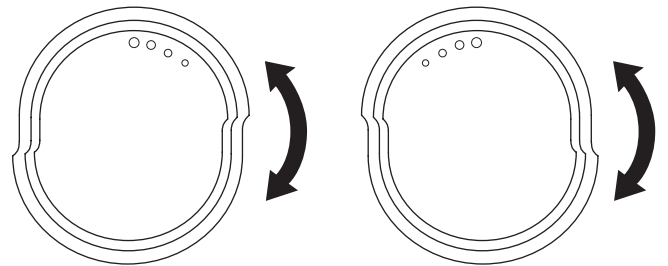
The high volume, fully adjustable jets can be adjusted to control the force of the water coming into the bath. For robust action, increase the force of the flow by rotating the jet handles to the left (counterclockwise). For a more gentle effect, rotate the handles to the right (clockwise).



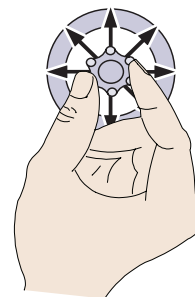
Never run the whirlpool system with all the jets closed.

Force of Air

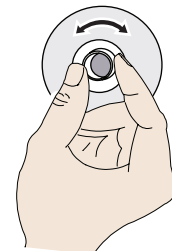
Two knobs located on the bath serve as controls for the air induction system. The intensity of the hydromassage whirlpool action is determined by the amount of air inducted into the water. As the amount of air is increased, the hydromassage action increases. For maximum air induction, rotate the control knobs fully counterclockwise to the largest circles. For fewer air bubbles, decrease the amount of air induction by rotating the control knob clockwise. When the knobs are turned to the smallest circles, only water is being circulated.



Air Induction Control Knobs



Large Adjustable Jets



Small Multidirectional Jets

Purging the Whirlpool System

To remove accumulations of bathtub residue from the whirlpool system, it is recommended that a whirlpool bathtub be cleaned regularly. For best results, however, we recommend that you clean your whirlpool bathtub after each use using Systems Clean™, our exclusive two-part plumbing system cleaner made specifically for whirlpool bathtubs. Systems Clean™ is available through an authorized Jacuzzi Whirlpool Bath Distributor or by calling us direct at 1-800-288-4002.

Bathtub Additives

Do not use oil or oil-based bathtub additives.

If you want to use any kind of bathtub additive, use only a small amount of low-foaming powder or crystal substance; the whirlpool action intensifies the foaming properties of soaps.

The use of certain bathtub oils, bubble baths, and bathtub additives may increase the level of accumulations of bathtub residue in the whirlpool system and may cause false reading of the water level sensors. If excess accumulations persist, you should discontinue use of these products.

Maintenance

To clean your bathtub, simply use a mild, nonabrasive liquid detergent solution. You can protect and restore the gloss to a dulled acrylic surface by applying Meguiar's #10 Mirror Glaze, a product specifically designed for use on acrylic finishes. If Meguiar's is not available, use a fine grade automotive rubbing compound followed by an application of automotive paste wax.

Never use abrasive household cleaners on any Jacuzzi Luxury Bath product.

Surface Repair

Minor scratches which do not penetrate the color finish can be removed by lightly sanding with 600-grit wet/dry sandpaper. Restore the gloss using Meguiar's Mirror Glaze or automotive paste wax. Major scratches and gouges which penetrate the acrylic surface will require refinishing. Call Jacuzzi Luxury Bath to find a service agent in your area.

Suction Cover/Strainer Maintenance

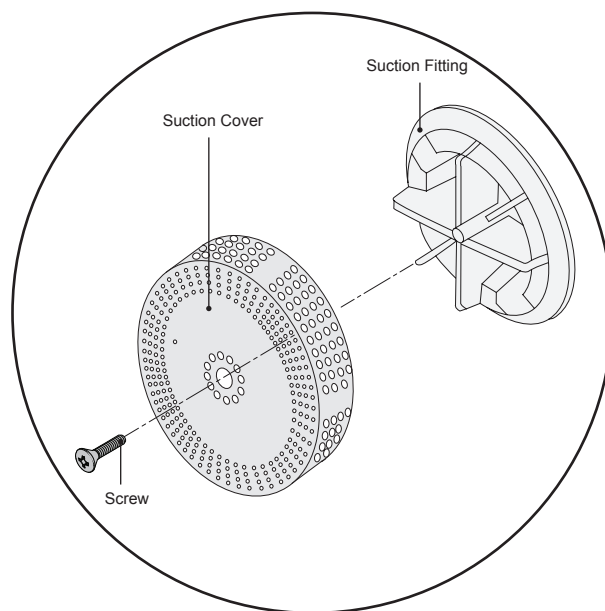
Clean the suction cover/strainer of hair and debris when necessary.

- 1 Remove the center screw and detach the suction cover.
- 2 Clean the cover by backflushing debris from the holes.
- 3 Replace the suction cover immediately after cleaning.

Keep hair a minimum of 6 inches (152 mm) away from the suction fitting at all times when the whirlpool system is operating. Hair longer than shoulder length should be secured close to the head, or a bathing cap should be worn.

Do not operate the whirlpool system with the suction cover/strainer broken, damaged or removed!

It is a safety device and must always be in place on the suction fitting to minimize the potential hazard of hair and body entrapment.



Troubleshooting Procedures

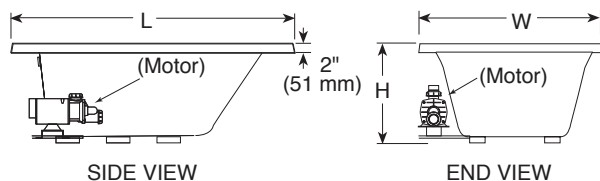
PROBLEM	PROBABLE CAUSES	REMEDY
Pump/motor does not start	No power to pump/motor Pump/motor not plugged in	Reset GFCI Insert plug securely into outlet Unsure that the tubing used to activate the pump/motor is tightly secured to the bottom of the ON/OFF control pad and to the AIR switch on back of the motor.
	Pump/motor faulty	Contact Jacuzzi Luxury Bath @ 800-288-4002
Pump/motor operates but not the multidirectional or adjustable jets	Jets are closed	Open jets by rotating counter-clockwise
	Suction cover/strainer may be clogged	With the motor turned OFF, remove the suction cover/strainer and remove any debris. Replace the suction cover before operating
Pump/motor operates but air is not injected into the water	Air valves are closed	Open air control valves
Water leakage from pump unions	Overtightened, O-ring may be pinched or improperly seated, undertightened	Loosen unions , check and reseal O-ring. If O-ring has been pinched out of shape, replace (refer to number below). When tightening union nuts, handtighten only.
Pump/motor shuts off by itself before time elapses	Motor thermal protection has deactivated pump/motor due to overheating (supply voltage low)	Let motor cool; thermal protection will reset. Check for proper ventilation (check supply voltage)
	GFCI tripped	Reset GFCI. If it continues to trip, do not use this unit. Disconnect the unit and have the problem corrected by a licensed electrician before using.
	Inadequate supply wiring	Consult a licensed electrician to correct the wiring unit.



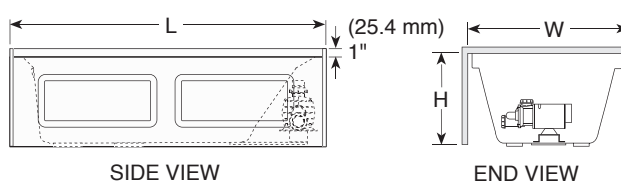
If the unit is within the warranty period, contact Jacuzzi Whirlpool Bath Service Support at 1-800-288-4002 with your bath's serial number before work is started. The serial number is located on the Specification/Serial Number Plate.

Technical Specifications

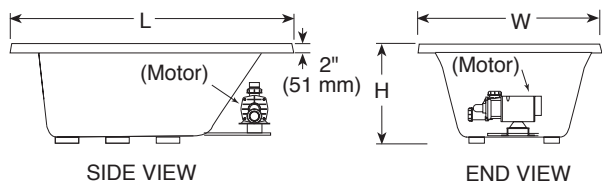
Specifications - Rectangular (Right Hand and Left Hand)



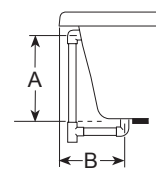
BATHS WITHOUT INTEGRAL SKIRT, 6036, 6042, 7236, & 7242



BATHS WITH INTEGRAL SKIRT



BATHS WITHOUT INTEGRAL SKIRT, 542BM & 6032



DRAIN/OVERFLOW

SPECIFICATIONS (Rectangular) LH = Left Hand, RH = Right Hand

MODEL	DIMENSIONS	DRAIN/OVERFLOW DIMENSIONS	CUTOUT	TOTAL WEIGHT/FLOOR LOADING	AVERAGE OPERATING GALLONAGE	PRODUCT WEIGHT	SKIRT & MOUNTING	HEATER READY FOR FIELD INSTALLATION
ESPREE 542** BACK MASSAGE LH	60" (1524 mm) L 42" (1067 mm) W 20" (508 mm) H	16-7/8" (429 mm) A 11-1/2" (292 mm) B	58" x 40" (1473 mm x 1016 mm)	927 lb (421 kg)/ 54 lb/ft ² (263 kg/m ²)	60 Min U.S. gal (227 liters) 68 Max U.S. gal (257 liters)	110 lb (50 kg)	Available	DQ75000 HEATER KIT
ESPREE 6032 LH	60" (1524 mm) L 32" (813 mm) W 22" (559 mm) H	18-1/8" (459 mm) A 10-3/4" (273 mm) B	See Page 23	785 lb (357 kg)/ 59 lb/ft ² (288 kg/m ²)	50 Min U.S. gal (189 liters) 58 Max U.S. gal (220 liters)	102 lb (46 kg)	Not Available	DQ75000 HEATER KIT
ESPREE 6032 WITH INTEGRAL SKIRT LH & RH	60" (1524 mm) L* 32" (813 mm) W 22" (559 mm) H	18-1/8" (459 mm) A 10-3/4" (260 mm) B	NA	785 lb (357 kg)/ 59 lb/ft ² (288 kg/m ²)	50 Min U.S. gal (189 liters) 58 Max U.S. gal (220 liters)	108 lb (49 kg)	Integral	DQ75000 HEATER KIT
ESPREE 6036 LH	60" (1524 mm) L 36" (914 mm) W 20" (508 mm) H	16-7/8" (429 mm) A 15-1/8" (392 mm) B	58" x 34" (1473 mm x 863 mm)	825 lb (375 kg)/ 55 lb/ft ² (268 kg/m ²)	50 Min U.S. gal (189 liters) 61 Max U.S. gal (231 liters)	117 lb (53 kg)	Not Available	DQ75000 HEATER KIT
ESPREE 6042 LH	60" (1524 mm) L 42" (1067 mm) W 20" (508 mm) H	16-7/8" (429 mm) A 11-1/4" (286 mm) B	58" x 40" (1473 mm x 1016 mm)	927 lb (421 kg)/ 54 lb/ft ² (263 kg/m ²)	60 Min U.S. gal (227 liters) 68 Max U.S. gal (257 liters)	110 lb (50 kg)	Available	DQ75000 HEATER KIT
ESPREE 6042 WITH INTEGRAL SKIRT LH & RH	60" (1524 mm) L* 42" (1067 mm) W 20" (508 mm) H	16-7/8" (429 mm) A 10-3/16" (275 mm) B	NA	944 lb (429 kg)/ 55 lb/ft ² (268 kg/m ²)	60 Min U.S. gal (227 liters) 68 Max U.S. gal (257 liters)	127 lb (57 kg)	Integral	DQ75000 HEATER KIT
ESPREE 7236 LH	72" (1829 mm) L 36" (914 mm) W 20" (508 mm) H	16-7/8" (432 mm) A 15-3/4" (394 mm) B	70" X 34" (1778 mm x 863 mm)	978 lb (445 kg)/ 54 lb/ft ² (263 kg/m ²)	64 Min U.S. gal (242 liters) 73 Max U.S. gal (276 liters)	120 lb (55 kg)	Not Available	DQ75000 HEATER KIT
ESPREE 7242 LH	72" (1829 mm) L 42" (1067 mm) W 20" (508 mm) H	16-7/8" (432 mm) A 15-5/8" (394 mm) B	70" X 40" (1778 mm x 1016 mm)	1112 lb (505 kg)/ 53 lb/ft ² (258 kg/m ²)	74 Min U.S. gal (280 liters) 89 Max U.S. gal (336 liters)	120 lb (55 kg)	Not Available	DQ75000 HEATER KIT

*Add 1/4" (6 mm) to this dimension when roughing-in for 3-wall niche.



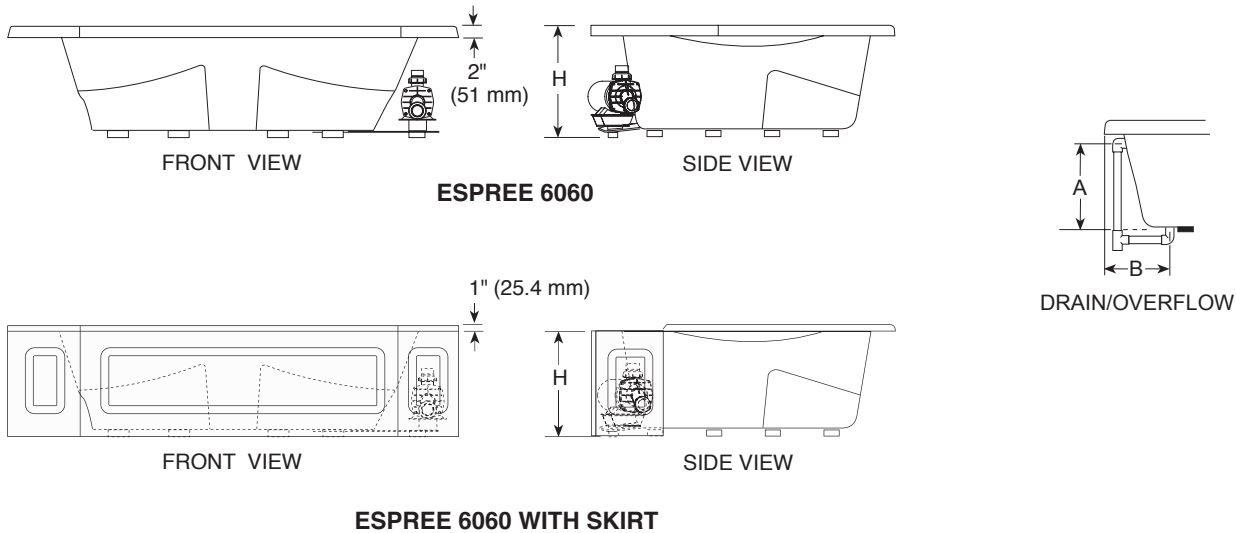
The overall dimensions are nominal with a tolerance of +0 and -1/4" (6mm).

FOR ALL UNITS: Electrical Service Requirements: All require a dedicated GFCI protected separate circuit.

(Optional) RapidHeat™: 120 VAC, 15 AMP, 60 Hz. dedicated GFCI protected separate circuit.

Motor/Pump: 120 VAC, 15 AMP, 60 Hz. dedicated GFCI protected separate circuit.

**120 VAC, 20 AMP, 60 Hz. *120 VAC, 20 AMP, 60 Hz.

**Specifications - Corner
(Right Hand and Left Hand)**

SPECIFICATIONS (Corner) LH = Left Hand, RH = Right Hand

MODEL	DIMENSIONS	DRAIN/OVERFLOW DIMENSIONS	CUTOUT	TOTAL WEIGHT/ FLOOR LOADING	OPERATING GALLONAGE	PRODUCT WEIGHT	SKIRT & MOUNTING	HEATER READY FOR FIELD INSTALLATION
ESPREE 6060 LH & RH	60" (1524 mm) L 60" (1524 mm) L 22" (559 mm) H	18-½" (470 mm) A 12-¼" (311 mm) B	See Page 23	971 lb (441 kg)/ 38.8 lb/ft² (189 kg/m²)	68 Min U.S. gal (257 liters) 89 Max U.S. gal (336 liters)	122 lb (55 kg)	Not Available	Factory Installed (S750000 HEATER KIT)
ESPREE 6060 WITH INTEGRAL SKIRT RH	60" (1524 mm) L 60" (1524 mm) L 22" (559 mm) H	18-½" (470 mm) A 12-¼" (311 mm) B	See Page 23	1264 lb (575 kg)/ 50 lb/ft² (244 kg/m²)	68 Min U.S. gal (257 liters) 89 Max U.S. gal (336 liters)	122 lb (55 kg)	Integral	Factory Installed (U395000 HEATER KIT)

*Add ¼" (6 mm) to this dimension when roughing-in for 3-wall niche.



The overall dimensions are nominal with a tolerance of +0 and -¼" (6mm).

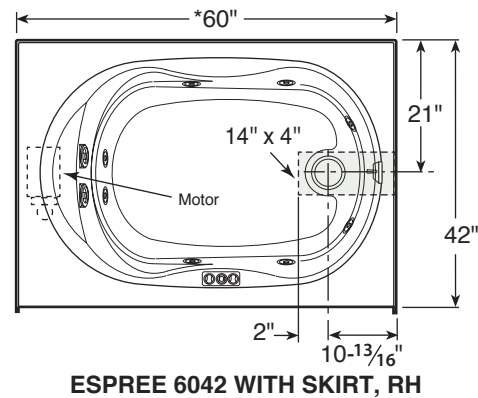
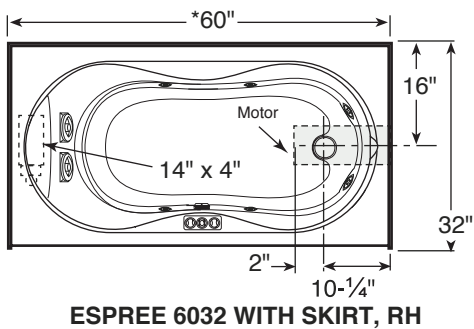
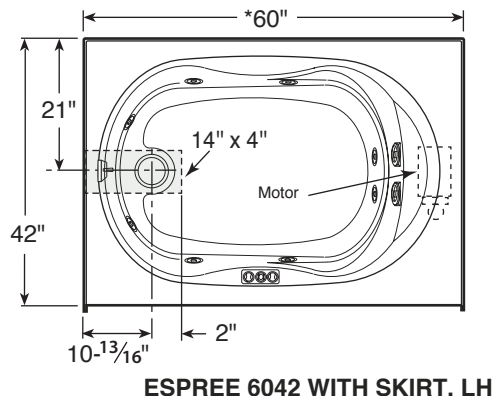
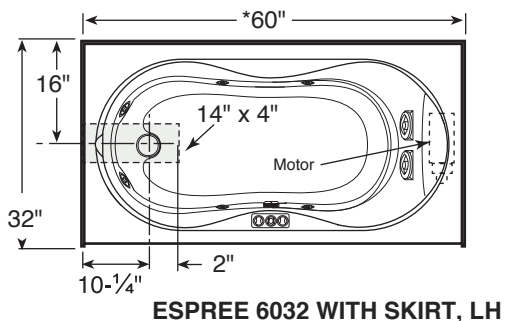
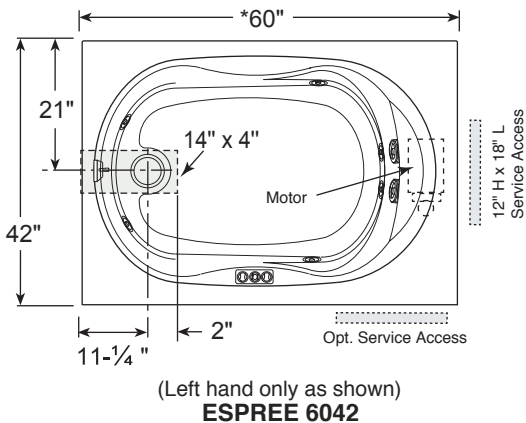
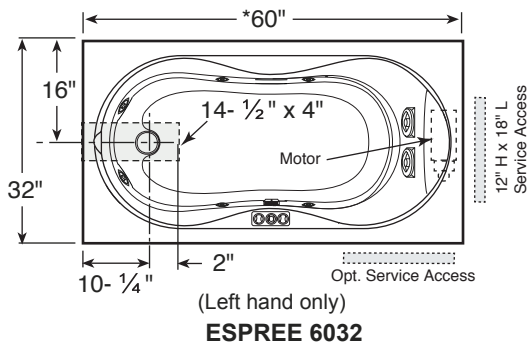
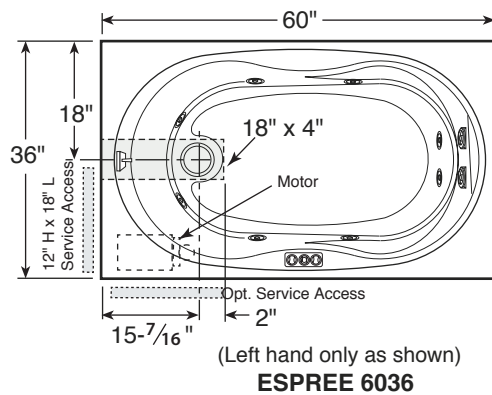
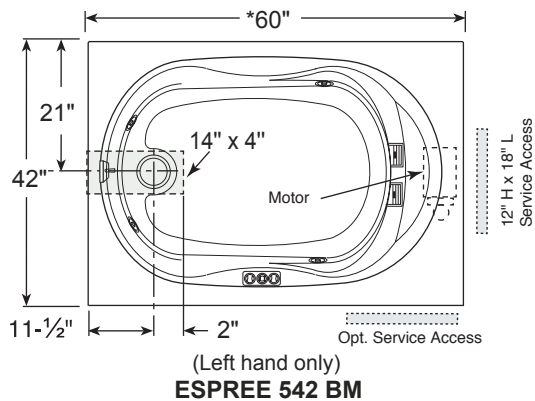
FOR ALL UNITS: Electrical Service Requirements: All require a dedicated GFCI protected separate circuit.

(Optional) RapidHeat™: 120 VAC, 15 AMP, 60 Hz. dedicated GFCI protected separate circuit.

Motor/Pump: 120 VAC, 15 AMP, 60 Hz. dedicated GFCI protected separate circuit.

**120 VAC, 20 AMP, 60 Hz. *120 VAC, 20 AMP, 60 Hz.

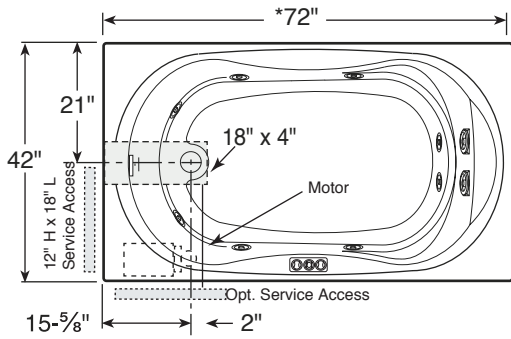
Roughing-In Reference



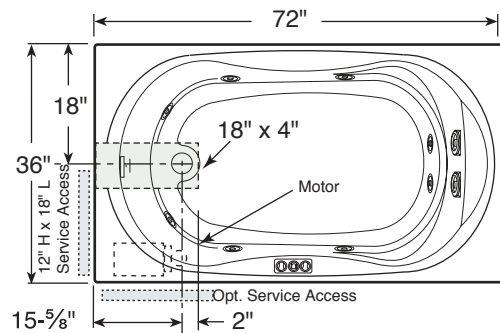
* The overall dimensions are nominal with a tolerance of +0 and -1/4" (6mm).

FOR ALL UNITS: Electrical Service Requirements: All require a dedicated GFCI protected separate circuit.
(Optional) RapidHeat™: 115 VAC, 15 AMP, 60 Hz. dedicated GFCI protected separate circuit.
Motor/Pump: 115 VAC, 15 Amp, 60 Hz. dedicated GFCI protected separate circuit.

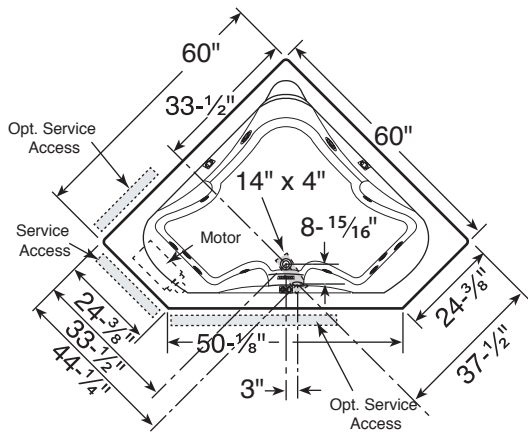
Roughing-In Reference



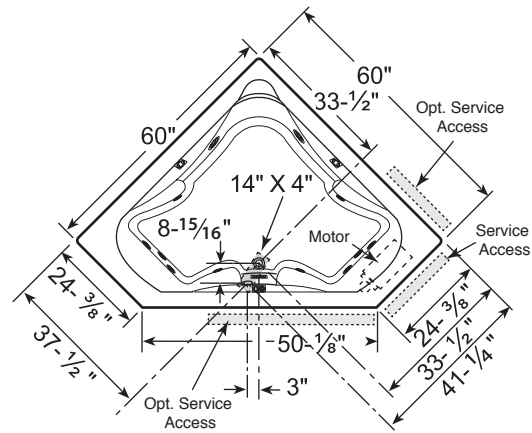
(Left hand only as shown)
ESPREE 7242



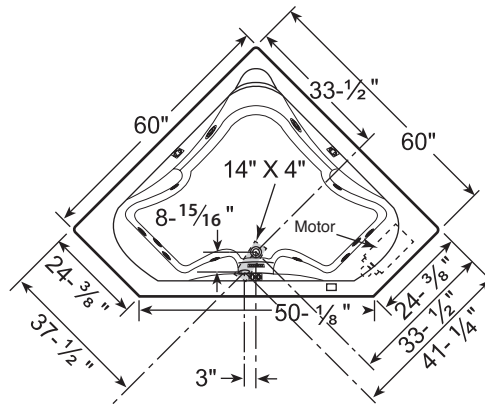
(Left hand only as shown)
ESPREE 7236



ESPREE 6060 WITHOUT SKIRT, LH



ESPREE 6060 WITHOUT SKIRT, RH



□ Junction Box
(Right hand only as shown)
ESPREE 6060 WITH INTEGRAL SKIRT

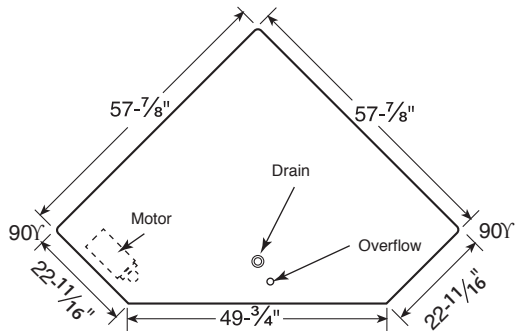


The overall dimensions are nominal with a tolerance of +0 and -1/4" (6mm).

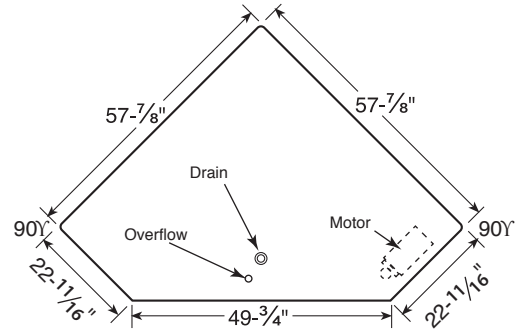
FOR ALL UNITS: Electrical Service Requirements: All require a dedicated GFCI protected separate circuit.
(Optional) RapidHeat™: 115 VAC, 15 AMP, 60 Hz. dedicated GFCI protected separate circuit.
Motor/Pump: 115 VAC, 15 Amp, 60 Hz. dedicated GFCI protected separate circuit.

Cut Outs

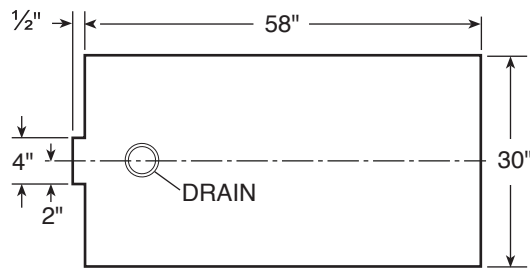
English



**ESPREE 6060 WITHOUT SKIRT,
LEFT HAND**



**ESPREE 6060 WITHOUT SKIRT,
RIGHT HAND**



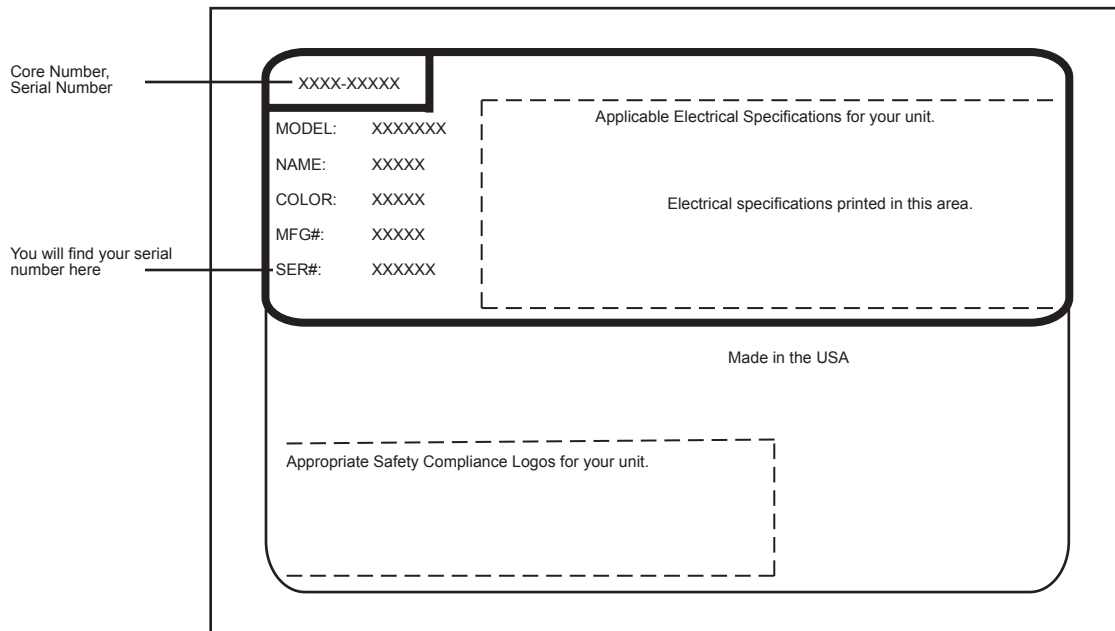
ESPREE 6032 DROP-IN CUTOUT

Authorized Service

If you need a referral for a service company near you, or need assistance with operation or maintenance-related questions, please call our Service Support Department at 1-800-288-4002. Visit our web site at <http://www.jacuzzi.com/> for products, services, and an online copy of these Installation and Operation Instructions.

When requesting service or technical assistance please have available both the model and serial number of your unit. This information can be obtained from the product registration card provided with your unit. If the card has been misplaced, this information can be obtained from the specification/serial number label on the unit itself. The label is located on the wall of the bathtub near the pump/motor.

SPECIFICATION/SERIAL NUMBER LABEL



PRODUCT SPECIFICATIONS ARE SUBJECT TO CHANGE WITHOUT NOTICE.

USE TECHNICAL SPECIFICATIONS MANUAL SUPPLIED WITH PRODUCT.

Jacuzzi® Luxury Bath has obtained applicable code (standards) listings generally available on a national basis for products of this type. It is the responsibility of the installer/owner to determine specific local code compliance prior to installation of the product.

Jacuzzi® Luxury Bath makes no representation or warranty regarding, and will not be responsible for any code compliance.

Jacuzzi® Luxury Bath
 14525 Monte Vista Avenue
 Chino, California, 91710
 1-800-288-4002
www.jacuzzi.com

Limited Lifetime Warranty on Jacuzzi Luxury Branded Baths for the Comfort, Comfort Plus, Pure Air®, Luxury, Salon™ Spa, and Pure Air® II Collections

WARRANTY COVERAGE

Jacuzzi Luxury Bath (the "Company") offers the following expressed limited lifetime warranty to the original purchaser of any Jacuzzi® Luxury Bath products provided in the Company's Comfort, Comfort Plus, Pure Air®, Pure Air® II, and Luxury™ collections ("Bath") who purchases the Bath for personal or single family residential use ("User"): The Company will repair or replace, at its sole option, the Bath or its equipment in accordance with the following terms and conditions. This warranty does not apply to non-branded Bath products manufactured by the Company.

LIFETIME WARRANTY ON BATHS

The Company extends to the User of the Bath a non-transferable limited lifetime warranty that the shell will maintain its structural integrity and configuration and be free of water loss due to a defect in the bathtub shell. This warranty covers only the bathtub shell and the manufacturer installed pump, jets, controls, and blower against defects in material or workmanship. This warranty does not apply to any display models or to any options or accessories which are covered under our limited ninety (90) day warranty set forth below. Warranty coverage begins on the date the unit was originally purchased by the User and upon receipt by the Company of a completely filled out Warranty Registration Card as described below.

2 YEAR LABOR WARRANTY FOR ALL FACTORY INSTALLED COMPONENTS

Our limited labor warranty is for a period of two (2) years from the date the unit was originally purchased by the User, but not more than Three (3) Years from date of manufacture. All factory installed components (e.g., pump, motor, blower, and plumbing) are covered under our labor warranty against failure due to defects in materials and workmanship.

NINETY DAY (PARTS ONLY) LIMITED WARRANTY ON OPTIONS AND ACCESSORIES

Our limited warranty on options and accessories is for ninety (90) days for parts only. Our warranty covers options and accessories manufactured (e.g., drains fill spout kits, trim kits, skirts, video monitors, plasma television screens, CD and MP3 players and other music and video devices and optional heaters) against defects in material or workmanship. Warranty coverage begins on the date the option or accessory was originally purchased by the User. These items may be covered by a manufacturer's warranty which may have a longer duration than this limited warranty. Please confirm with the manufacturer the duration of the appropriate warranty for Options and Accessories.

WARRANTY LIMITATIONS

Our limited warranty does not cover defects, damage, or failure caused by the common carrier, installer, user, or other persons, pets, or rodents, or resulting from, without limitation, any of the following: careless handling (lifting unit by plumbing, abrading finish, etc.) including its own negligence; modification of any type for any reason (including modification to meet local codes); improper installation (including installation not in accordance with instructions and specifications provided with the unit); connections supplied by the installer of the equipment; improper voltage supply or unauthorized electrical modification; misuse; incorrect operation, or lack of proper routine maintenance; operation of the unit without specified minimum amount of water or at inappropriate water temperature; use of abrasive or improper cleaners; or acts of God, such as lightning, floods, earthquakes, etc.

In addition, THE COMPANY WILL NOT BE RESPONSIBLE FOR INCIDENTAL OR CONSEQUENTIAL DAMAGES or losses arising from any cause (e.g., water damage to carpet, ceiling, tiles, marble, loss of use, etc.) including its own negligence; damages to, respecting, or resulting from: plated parts when pool and/or spa chemicals are used in the unit or hard water conditions; optional bath equipment not manufactured by the Company but supplied by Dealer, installer or the Company; the unit's prior usage as an operational display; or defects that should have been discovered before installation.

This limited warranty does not include: labor, transportation, or other costs incurred in the removal and/or reinstallation of the original unit and/or installation of a replacement unit; any costs relating to obtaining access for repair; or loss of use damage, including loss of sales, profit or business advantage of any kind under any circumstances. Bath units are excluded from any warranty coverage if any addition, deletion, or modification of any kind whatsoever has been made to the unit (or to any component). Warranty coverage is provided in the United States of America and Canada only.

EXCLUSION OF IMPLIED WARRANTIES

IMPLIED WARRANTIES OF MERCHANTABILITY AND FITNESS FOR A PARTICULAR PURPOSE ARE DISCLAIMED ALTOGETHER OR TO THE FULLEST EXTENT ALLOWED BY LAW.

NOTICE: This warranty gives you specific legal rights, and you may also have other rights which vary from state to state. There are no warranties applicable to Jacuzzi Luxury Bath products except as expressly stated herein or as implied by applicable state and federal laws. The Company will not be responsible for any statements or representations made in any form that go beyond, are broader than or are inconsistent with any authorized literature or specifications furnished by the Company. Some states do not allow limitations on how long an implied warranty lasts, or the exclusion or limitation of incidental or consequential damages, so the above limitations and exclusions may not apply to you.



Luxury Bath by Jacuzzi®
U961000

Jacuzzi® Luxury Bath
14525 Monte Vista Avenue
Chino, California 91710

RETURN OF WARRANTY REGISTRATION

To register your product, please go to our web-site Jacuzzi.com, click on Bath and Showers, then select ONLINE WARRANTY REGISTRATION from the top of the page. You will then be prompted to enter your product Serial Number followed by your warranty registration information. Or you may also register by completing the registration below and mailing it to Jacuzzi at the address provided below.

The attached Warranty Registration MUST be filled out by the purchaser within thirty (30) days from purchase and received by Jacuzzi Luxury Bath in order for this warranty to become effective.

RESPONSIBILITIES OF OTHERS

Inspecting the unit prior to installation is the responsibility of the installer or building contractor who acts on behalf of the User. They are responsible for ensuring the unit is free of defect or damage. Notices are placed on and in the unit and on the shipping carton advising the installer of this responsibility. In the event of a problem, the unit must not be installed. The Company is not responsible for failures or damage that could have been discovered, repaired, or avoided by proper inspection and testing (including proper water testing) prior to installation.

Damage occurring in transit is the responsibility of the carrier. The User or installer MUST open the crate and inspect the unit for damage when it is delivered. If damage is discovered, it must be reported immediately to the seller and the carrier in writing, and an inspection requested. Failure of the carrier to respond should be reported to the seller and the carrier. Your freight claims should be filed promptly thereafter.

Damage occurring to the unit during installation is the responsibility of the installer and/or building contractor and damage occurring thereafter is the responsibility of the user.

Failure of any optional equipment is the sole responsibility of the equipment manufacturer except as provided above and shall not extend to or apply to any replacement parts for the Options and Accessories. Any replacement parts shall be covered by the original equipment manufacturer.

The Distributor or Dealer is responsible for knowing local code requirements and notifying the installing contractor and/or User of these requirements at the time of purchase. The Company is not responsible for costs to modify any product to obtain any code approval, such as city, county, or state building codes in U.S.A. or municipal or provincial codes in Canada.

WARRANTY SERVICE

For the customer's benefit, the Company maintains a list of independent service personnel to perform required warranty service repairs. Such firms are not agents or representatives of the Company and cannot bind the Company by words or conduct.

The Company will provide the warranty service described above when the following conditions have been met: the failure is of the nature or type covered by the warranty; the User has informed an Authorized Jacuzzi Luxury Bath Service Agent or Warranty Service Department Representative of the nature of the problem during the warranty period; conclusive evidence (e.g., proof of purchase or installation) is provided to the foregoing by the user proving that the failure occurred or was discovered within the warranty period; an authorized independent service person or Company representative has been permitted to inspect the unit during regular business hours within a reasonable time after the problem was reported by the User. In order to obtain warranty service, contact Jacuzzi Luxury Bath at:

jacuzzi.com
or
Warranty Service Department
14525 Monte Vista Avenue
Chino, California 91710
Call: 1-(800) 288-4002

To obtain warranty replacement for factory-installed components for Company supplied options and accessories manufactured and supplied by the Company, call or write the above. Provide a description of the problem and proof of purchase. You will be instructed how to obtain replacements and where to return, at your expense, the failed component(s), option(s), or accessory(ies).

All replacement parts, equipment, and repairs shall assume the remaining warranty period of the part(s) replaced.

The Company's warranty obligation shall be discharged upon tender of replacement or repair. The customer's refusal to accept the tender terminates the Company's warranty obligation.

Ninety-Day
Parts Only
Limited Warranty
On
Accessory(ies)

Ninety-Day
Parts Only
Limited Warranty
On
Accessory(ies)



**WARRANTY
REGISTRATION CARD**

To complete your registration, visit our website at www.jacuzzi.com or fill out and mail this card to the address printed on the other side within thirty (30) days from date of purchase in order for this warranty to be come effective.

Purchaser's Name _____
 Purchaser's Address _____
 City _____ State _____ Zip _____
 Date of Purchase _____
 Model Name _____
 Serial Number _____
 Dealer's Name _____
 Dealer's Address _____

1. How did you first hear about this Jacuzzi® product?
 Advertisement Article in Magazine/Newspaper
 Visited Dealer/Plumbing Supplier Yellow Pages
 Builder/Plumber/Remodeler Decorator/Architect
 Visited Retailer/Home Center Store
 Word of Mouth . . . Friend/Relative/Acquaintance
 Other (Please Describe) _____

2. Who first gave you specific information about this product (specification prices, etc.)?
 Dealer/Plumbing Supplier Builder Remodeler
 Plumbing Contractor Retailer/Home Center Store
 Decorator/Architect Already Installed
 Styling Warranty Service Product Features
 Brand Name Price Hydrotherapy
 Home Resale
 Other _____

4. Who finally decided which product you would buy?
 Self Spouse Self and Spouse Together
 Other Family Member Designer/Architect
 Builder/Plumber/Remodeler Already Installed
 Contractor/Plumber when remodeling
 Self/Spouse when remodeling
 Other _____

7. What is the current market value of this property?
 Please estimate \$ _____

8. What is the age of the head of the household? _____ Years
 Eiler Lasco Price Pfister Aqua Glass
 Kohler American Standard Sterling
 Other (Specify) _____

9. How long did you shop before purchasing unit?
 1 day 2 months- 6 months
 2-7 days 6 months- 1 year
 1 week- 2 weeks 1 year- 2 years
 2 weeks- 4 weeks +2 years
 1 month- 2 months

10. Approximately how long have you lived in this home?
 Please indicate, approximately, the total annual income of your household.
 Up to \$24,999 \$50,000 to \$74,999
 \$25,000 to \$29,999 \$75,000 to \$99,999
 \$30,000 to \$39,999 \$100,000 to \$149,999
 \$40,000 to \$49,999 \$150,000 and above

12. Was your purchase process?
 Very easy Easy Difficult Very Difficult

13. How technically aware were you of the patented Jacuzzi® jet system prior to your purchase?
 Not aware Somewhat aware Very aware

Free Manuals Download Website

<http://myh66.com>

<http://usermanuals.us>

<http://www.somanuals.com>

<http://www.4manuals.cc>

<http://www.manual-lib.com>

<http://www.404manual.com>

<http://www.luxmanual.com>

<http://aubethermostatmanual.com>

Golf course search by state

<http://golfingnear.com>

Email search by domain

<http://emailbydomain.com>

Auto manuals search

<http://auto.somanuals.com>

TV manuals search

<http://tv.somanuals.com>