

nova™ 5 whirlpool bath and soaking bath

nova—a brightly burning star. the nova™ whirlpool bath—a rejuvenating point of light in your day, your night, your routine.



Clean lined and classic, the Nova™ whirlpool is versatility defined.

whirlpool bath features:

- 4 fully adjustable TheraPro™ jets
- 1 directionally adjustable AccuPro™ jet
- RapidHeat™ in-line heater
- Electronic on/off control
- Patented Fixed Air Flow System
- Exclusive Tru-Level™ self-leveling base system
- Drain included on whirlpool baths

nova™ 5 whirlpool bath

model number: 9230 – RH, 4480 – LH

exterior dimensions:
60" long x 42" wide x 18½" high

interior dimensions:
41" long x 27" wide x 18" high

of Jets/type of Jets:
4 TheraPro™ Jets,
1 AccuPro™ Lumbar Jet

operating gallons:
46 gallons

nova™ 5 soaking bath

model number: 4481

exterior dimensions:
60" long x 42" wide x 18½" high

interior dimensions:
41" long x 27" wide





Nova[®] 5 Whirlpool Bath

Model: 4480, 9230

Nova[™] 5 Bath

Model: 4481

Ordering Information

Product Code:

- 9230 Nova[®] 5 Whirlpool Bath Right Hand
- 4480 Nova[®] 5 Whirlpool Bath Left Hand
- 4481 Nova[®] 5 Bath

- Right and Left Hand Drain Location
- Accessories / Hardware:
 - Trip-Lever Drain Kit #X559
 - Rotary Drain Kit, 26" Cable #8730
 - TheraPro[™] Jet Rings Kit: #D095
 - AccuPro[™] Jet Rings Kit: #P556
- Trim Kit Finishes Available:
 - (827) – Chrome
 - (898) – Brushed Chrome
 - (815) – Satin Nickel
 - (829) – Bright Brass
 - (805) – Platinum
 - (826) – Brushed Nickel
 - (849) – Oil Rubbed Bronze

Installation Notes

Refer to installation instructions included with fixture before beginning installation. Please confirm product availability and specifications before commencing with any installation work.

PRODUCT SPECIFICATIONS AND AVAILABILITY ARE SUBJECT TO CHANGE WITHOUT NOTICE.

Electrical Components and Electrical Specifications do not apply to non-jetted baths.

Technical Specifications

Dimensions

60" L x 42" W x 18-1/2" H
(1524 mm) L x (1067 mm) W x (470 mm) H

Drain/Overflow

A: 14-3/4" (375 mm) B: 8-1/2" (216 mm)

Cutout

58" x 40"

Total Weight

4480, 9230: 722 lb (327 kg) / 41 lb/ft² (201 kg/m²)
4481: 682 lb (309 kg) / 39 lb/ft² (190 kg/m²)

Operating Gallonage

4480, 9230: 46 U.S. Gal. (170 liters)
Max. 54 U.S. Gal. (204 Liters)

Product Weight

4480, 9230: 97 lb (44 kg)
4481: 57 lb (26 kg)

Skirt Mounting

Optional, U-Frame

Electrical Specifications (Models 4480, 9230 only)

Requires a dedicated GFCI protected separate circuit.

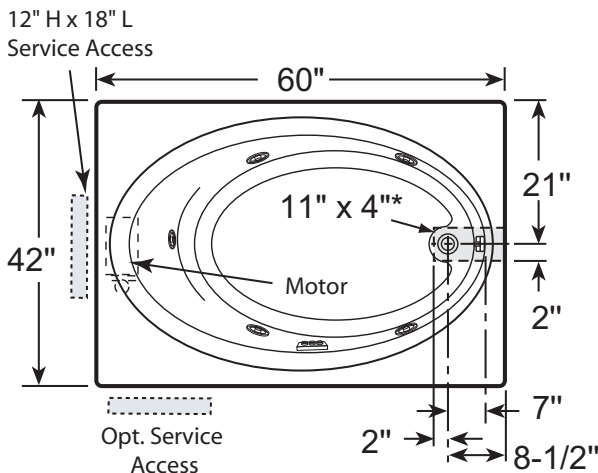
Motor/Pump: 120 VAC, 15 AMP, 60 Hz.

RapidHeat[™]: 120 VAC, 15 AMP, 60 Hz.

Heater (Optional Models 4480, 9230 only)

Requires a dedicated GFCI protected separate circuit.

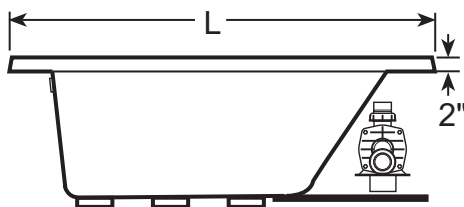
RapidHeat[™]: P/N S750000



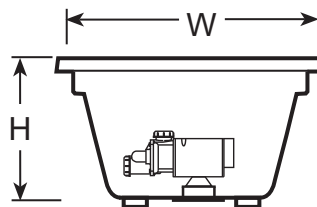
Product Shown: Nova[®] 5 Whirlpool Bath Right Hand Model: 9230

* Measurements inside unit represent cutout in floor to allow for drain/overflow.

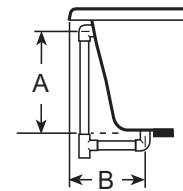
Minimum Service Access dimensions given.



SIDE VIEW



END VIEW



DRAIN/OVERFLOW

Free Manuals Download Website

<http://myh66.com>

<http://usermanuals.us>

<http://www.somanuals.com>

<http://www.4manuals.cc>

<http://www.manual-lib.com>

<http://www.404manual.com>

<http://www.luxmanual.com>

<http://aubethermostatmanual.com>

Golf course search by state

<http://golfingnear.com>

Email search by domain

<http://emailbydomain.com>

Auto manuals search

<http://auto.somanuals.com>

TV manuals search

<http://tv.somanuals.com>