



COMFORT PLUS BATH SERIES

INSTALLATION AND OPERATING INSTRUCTIONS

Installer: Leave this manual for homeowner.
Homeowner: Read this manual and keep for future reference.

IMPORTANT SAFETY INSTRUCTIONS

READ AND FOLLOW ALL INSTRUCTIONS

SAVE THESE INSTRUCTIONS

 **CAUTION:** TEST THE GROUND FAULT CIRCUIT INTERRUPTER PROTECTING THIS APPLIANCE PERIODICALLY IN ACCORDANCE WITH MANUFACTURER'S INSTRUCTIONS.

WARNING: RISK OF ACCIDENTAL INJURY OR DROWNING; CHILDREN SHOULD NOT USE HYDROMASSAGE BATHTUB WITHOUT ADULT SUPERVISION.

WARNING: TO AVOID INJURY, EXERCISE CAUTION WHEN ENTERING OR EXITING THE HYDROMASSAGE BATHTUB

WARNING: RISK OF ACCIDENTAL INJURY OR DROWNING; DO NOT USE HYDROMASSAGE BATHTUB UNLESS ALL SUCTION GUARDS ARE INSTALLED TO PREVENT BODY AND HAIR ENTRAPMENT.

WARNING: KEEP BODY AND HAIR A MINIMUM OF 6" AWAY FROM SUCTION FITTING AT ALL TIMES WHEN THE WHIRLPOOL SYSTEM IS OPERATING. HAIR LONGER THAN SHOULDER LENGTH SHOULD BE SECURED CLOSE TO THE HEAD.

WARNING: NEVER DROP OR INSERT ANY OBJECT INTO ANY OPENING.

WARNING: RISK OF ELECTRICAL SHOCK; DO NOT PERMIT ELECTRICAL APPLIANCES (SUCH AS HAIR DRYER, LAMP, TELEPHONE, RADIO OR TELEVISION) WITHIN 60" (1.5 M) OF THIS HYDROMASSAGE BATHTUB.

WARNING: RISK OF ACCIDENTAL INJURY OR DROWNING; DO NOT USE DRUGS OR ALCOHOL BEFORE OR DURING THE USE OF HYDROMASSAGE BATHTUB EQUIPPED WITH A HEATER TO AVOID UNCONSCIOUSNESS AND POSSIBLE DROWNING.

WARNING: RISK OF FETAL INJURY; PREGNANT OR POSSIBLY PREGNANT WOMEN SHOULD CONSULT A PHYSICIAN BEFORE USING A HYDROMASSAGE BATHTUB EQUIPPED WITH A HEATER.

WARNING: RISK OF HYPERTHERMIA AND POSSIBLE DROWNING; DO NOT USE A HYDROMASSAGE BATHTUB EQUIPPED WITH A HEATER IMMEDIATELY FOLLOWING STRENUOUS EXERCISE.

WARNING: RISK OF HYPERTHERMIA AND POSSIBLE DROWNING; WATER TEMPERATURE IN EXCESS OF 104° F (40° C) MAY BE INJURIOUS TO YOUR HEALTH. CHECK AND ADJUST WATER TEMPERATURE BEFORE USE.

WARNING: RISK OF HYPERTHERMIA; PEOPLE USING MEDICATIONS AND/OR HAVING AN ADVERSE MEDICAL HISTORY SHOULD CONSULT A PHYSICIAN BEFORE USING A HYDROMASSAGE BATHTUB EQUIPPED WITH A HEATER.

AN EQUIPMENT GROUNDING TERMINAL IS PROVIDED IN THE FIELD WIRING COMPARTMENT. TO REDUCE THE RISK OF ELECTRICAL SHOCK, THIS TERMINAL MUST BE CONNECTED TO THE GROUNDING MEANS PROVIDED IN THE ELECTRICAL SUPPLY PANEL WITH A CONNECTOR EQUIVALENT IN SIZE TO THE CIRCUIT CONNECTORS SUPPLYING THIS EQUIPMENT.

PRECAUTIONS

- Do not operate the whirlpool system unless the bath is filled with water to at least 1" (25 mm) above the highest jet.
- Never drop or insert any object into any opening.
- Do not use oil-based bath additives in your whirlpool bath.
- When cleaning your bath, do not use abrasive substances which will damage the bath's surface.
- To prevent discoloration of the acrylic finish, do not fill the bath with water in excess of 140° F (60° C)
- The whirlpool system should be purged at least twice a month. For your convenience, we have developed a plumbing system cleaner (Systems Clean™) specifically for whirlpool baths. For availability call 1-800-288-4002.
- Use this unit only for its intended purpose as described in this manual. Do not use attachments not recommended by the manufacturer.
- This unit must be connected only to a supply circuit that is protected by a ground fault circuit interrupter (GFCI). Such a GFCI should be provided by the installer and should be tested on a routine basis. To test the GFCI, push the test button. The GFCI should interrupt power. Push the reset button. Power should be restored. If the GFCI fails to operate in this manner, there is a ground current flowing, indicating a possibility of an electric shock. Do not use this unit. Disconnect the unit and have the problem corrected by a qualified electrician before using.
- A pressure wire connector is provided on the exterior of the motor to permit connection of an No. 8 AWG (8.4 mm) solid copper bonding conductor between this unit and all other electric equipment and exposed metal in the vicinity, as needed to comply with local requirements.
- This unit should be electrically grounded and installed by a licensed contractor, electrician, and plumber.
- For built-in and drop-in units, install to permit access for servicing.

Note: This is a professional grade product. A knowledge of construction techniques, plumbing and electrical installation according to codes are required for proper installation and user satisfaction. We recommend that a licensed contractor perform the installation of all Jacuzzi Whirlpool Bath® products. Our warranty does not cover improper installation related problems.



ADDENDUM

Safety Instructions Change

IMPORTANT SAFETY INSTRUCTIONS READ AND FOLLOW ALL INSTRUCTIONS SAVE THESE INSTRUCTIONS

INSTRUCTIONS PERTAINING TO A RISK OF FIRE, ELECTRIC SHOCK, OR INJURY TO PERSONS

WARNING — WHEN USING THIS UNIT, BASIC PRECAUTIONS SHOULD ALWAYS BE FOLLOWED, INCLUDING THE FOLLOWING:

DANGER: TO REDUCE THE RISK OF INJURY, DO NOT PERMIT CHILDREN TO USE THIS UNIT UNLESS THEY ARE CLOSELY SUPERVISED AT ALL TIMES.

WARNING — USE THIS UNIT ONLY FOR ITS INTENDED USE AS DESCRIBED IN THIS MANUAL. DO NOT USE ATTACHMENTS NOT RECOMMENDED BY THE MANUFACTURER.

WARNING — NEVER DROP OR INSERT ANY OBJECT INTO ANY OPENING.

WARNING — DO NOT OPERATE THIS UNIT WITHOUT THE GUARD OVER THE SUCTION FITTING.

WARNING — THIS UNIT MUST BE CONNECTED ONLY TO A SUPPLY CIRCUIT THAT IS PROTECTED BY A GROUND FAULT CIRCUIT INTERRUPTER (GFCI). SUCH A GFCI SHOULD BE PROVIDED BY THE INSTALLER AND SHOULD BE TESTED ON A ROUTINE BASIS. TO TEST THE GFCI, PUSH THE TEST BUTTON. THE GFCI SHOULD INTERRUPT POWER. PUSH THE RESET BUTTON. POWER SHOULD BE RESTORED. IF THE GFCI FAILS TO OPERATE IN THIS MANNER, THE GFCI IS DEFECTIVE. IF THE GFCI INTERRUPTS POWER TO THE BATHTUB WITHOUT THE TEST BUTTON BEING PUSHED, A GROUND CURRENT FLOWING, INDICATING A POSSIBILITY OF AN ELECTRIC SHOCK. DO NOT USE THIS HYDROMASSAGE BATHTUB. DISCONNECT THE HYDROMASSAGE BATHTUB AND HAVE THE PROBLEM CORRECTED BY A QUALIFIED SERVICE REPRESENTATIVE BEFORE USING.

WARNING: (FOR PERMANENTLY CONNECTED UNITS) A GREEN COLORED TERMINAL (OR A WIRE CONNECTOR MARKED "G", "GR", "GROUND", OR "GROUNDING") IS PROVIDED WITHIN THE TERMINAL COMPARTMENT. TO REDUCE THE RISK OF ELECTRIC SHOCK, CONNECT THE TERMINAL OR CONNECTOR TO THE GROUNDING TERMINAL OF YOUR ELECTRIC SERVICE OR SUPPLY PANEL WITH A CONDUCTOR EQUIVALENT IN SIZE TO THE CIRCUIT CONDUCTORS SUPPLYING THIS EQUIPMENT.

OPERATING INSTRUCTIONS

WARNING — PROLONGED IMMERSION IN HOT WATER MAY INDUCE HYPERTHERMIA. HYPERTHERMIA OCCURS WHEN THE INTERNAL TEMPERATURE OF THE BODY REACHES A LEVEL SEVERAL DEGREES ABOVE THE NORMAL BODY TEMPERATURE OF 98.6°F. THE SYMPTOMS OF HYPERTHERMIA INCLUDE AN INCREASE IN THE INTERNAL TEMPERATURE OF THE BODY, DIZZINESS, LETHARGY, DROWSINESS AND FAINTING. THE EFFECTS OF HYPERTHERMIA INCLUDE:

- A) FAILURE TO PERCEIVE HEAT
- B) FAILURE TO RECOGNIZE THE NEED TO EXIT THE SPA OR HOT TUB,
- C) UNAWARENESS OF IMPENDING HAZARD,
- D) FETAL DAMAGE IN PREGNANT WOMEN,
- E) PHYSICAL INABILITY TO EXIT THE SPA OR HOT TUB, AND
- F) UNCONSCIOUSNESS RESULTING IN DANGER OF DROWNING.

WARNING — THE USE OF ALCOHOL, DRUGS OR MEDICATION CAN GREATLY INCREASE THE RISK OF FATAL HYPERTHERMIA.

WARNING — DO NOT TAMPER WITH USER-OPERATED CONTROLS OR SUCH DEVICES.



INSTALLATION INSTRUCTIONS

WARNING — WHEN USING THIS UNIT, BASIC PRECAUTIONS SHOULD ALWAYS BE FOLLOWED, INCLUDING THE FOLLOWING:

DANGER — RISK OF ELECTRIC SHOCK. CONNECT ONLY TO A CIRCUIT PROTECTED BY A GROUND FAULT CIRCUIT INTERRUPTER (GFCI).

 **CAUTION** — TEST THE GROUND FAULT CIRCUIT INTERRUPTER PROTECTING THIS APPLIANCE PERIODICALLY IN ACCORDANCE WITH MANUFACTURER'S INSTRUCTIONS.

WARNING — USE THIS UNIT ONLY FOR ITS INTENDED USE AS DESCRIBED IN THIS MANUAL. DO NOT USE ATTACHMENTS NOT RECOMMENDED BY THE MANUFACTURERS.

WARNING — TO AVOID INJURY, EXERCISE CAUTION WHEN ENTERING OR EXITING THE HYDROMASSAGE BATHTUB.

WARNING — KEEP BODY AND HAIR A MINIMUM OF 6" AWAY FROM SUCTION FITTING AT ALL TIMES WHEN THE HYDROMASSAGE SYSTEM IS OPERATING. HAIR LONGER THAN SHOULDER LENGTH SHOULD BE SECURED CLOSE TO THE HEAD.

WARNING — RISK OF ELECTRICAL SHOCK; DO NOT PERMIT ELECTRICAL APPLIANCES (SUCH AS HAIR DRYER, LAMP, TELEPHONE, RADIO OR TELEVISION) WITHIN 60" (1.5 M) OF THIS HYDROMASSAGE BATHTUB.

WARNING — RISK OF ACCIDENTAL INJURY OR DROWNING; DO NOT USE DRUGS OR ALCOHOL BEFORE OR DURING THE USE OF HYDROMASSAGE BATHTUB EQUIPPED WITH A HEATER TO AVOID UNCONSCIOUSNESS AND POSSIBLE DROWNING.

WARNING — RISK OF FETAL INJURY; PREGNANT OR POSSIBLY PREGNANT WOMEN SHOULD CONSULT A PHYSICIAN BEFORE USING A HYDROMASSAGE BATHTUB EQUIPPED WITH A HEATER.

WARNING — RISK OF HYPERTHERMIA AND POSSIBLE DROWNING; DO NOT USE A HYDROMASSAGE BATHTUB EQUIPPED WITH A HEATER IMMEDIATELY FOLLOWING STRENUOUS EXERCISE.

WARNING — RISK OF HYPERTHERMIA AND POSSIBLE DROWNING; WATER TEMPERATURE IN EXCESS OF 104°F (40°C) MAY BE INJURIOUS TO YOUR HEALTH. CHECK AND ADJUST WATER TEMPERATURE BEFORE USE.

WARNING — RISK OF HYPERTHERMIA; PEOPLE USING MEDICATIONS AND/OR HAVING AN ADVERSE MEDICAL HISTORY SHOULD CONSULT A PHYSICIAN BEFORE USING A HYDROMASSAGE BATHTUB EQUIPPED WITH A HEATER.

FOR BUILT-IN AND DROP-IN UNITS, INSTALL TO PERMIT ACCESS FOR SERVICING.

THIS UNIT SHOULD BE ELECTRICALLY GROUNDED AND INSTALLED BY A LICENSED CONTRACTOR, ELECTRICIAN, AND PLUMBER.

BUILDING MATERIALS AND WIRING SHOULD BE ROUTED AWAY FROM THE MOTOR/PUMP OR BLOWER OR OTHER HEAT PRODUCING COMPONENTS OF THIS UNIT.

A PRESSURE WIRE CONNECTOR IS PROVIDED ON THE EXTERIOR OF THE MOTOR/PUMP AND HEATER TO PERMIT CONNECTION OF AN NO. 8 AWG (8.4 MM) SOLID COPPER BONDING CONDUCTOR BETWEEN THIS UNIT AND ALL OTHER ELECTRIC EQUIPMENT AND EXPOSED METAL IN THE VICINITY, AS NEEDED TO COMPLY WITH LOCAL REQUIREMENTS.

PRECAUTIONS

- Do not operate the hydromassage system unless the bath is filled with water to at least 1" above the highest jet.
- Do not immerse the control panel by overfilling the bath.
- Do not use oil-based bath additives in your hydromassage bath.
- When cleaning your bath, do not use abrasive substances which will damage the bath's surface.
- To prevent discoloration of the acrylic finish, do not fill the bath with water in excess of 140°F (60°C).

NOTE: This is a professional grade product. A knowledge of construction techniques, plumbing and electrical installation according to codes are required for proper installation and user satisfaction. We recommend that a licensed contractor perform the installation of all Jacuzzi Whirlpool Bath® products. Our warranty does not cover improper installation related problems.

PRODUCT SPECIFICATIONS ARE SUBJECT TO CHANGE WITHOUT NOTICE.

USE INSTALLATION INSTRUCTIONS SUPPLIED WITH PRODUCT.

The Company has obtained applicable code (standards) listings generally available on a national basis for products of this type. It is the responsibility of the installer/owner to determine specific local code compliance prior to installation of the product. The Company makes no representation or warranty regarding, and will not be responsible for any code compliance.



Printed on Recycled Paper

©2005 Jacuzzi Whirlpool Bath DA38000A 06/05

Printed in the U.S.A.

CONTENTS

Specifications _____	1-2
Roughing-in Reference _____	3
Installation Instructions _____	4-8
Framing and Support _____	4
Skirts _____	5
Service Access _____	6
Electrical Connections _____	7
Plumbing and Water Supply _____	8
Operation _____	9-10
Maintenance _____	11
Troubleshooting _____	12
Authorized Service _____	14
Warranty _____	15-16

Save These Instructions for Future Use.

Owner's Record

Date Purchased _____

Purchased From _____

Installed By _____

Serial Number _____

Model _____

NOTE: To obtain a referral for a service agent in your area call 800-288-4002 . You may also visit our web site at <http://www.jacuzzi.com/>. To find the service agent listing, click on For The Trade.

Then click on Repair Services in the left hand box.

Depending on the problem, click on Electrical/Mechanical Repairs or Finish, Surface or Shell-Related Problems or Repair Parts or Accessories for a listing of authorized agents, contractors, or distributors.

SPECIFICATIONS

Important: Read complete instructions before beginning installation.

Each whirlpool bath arrives ready for installation, completely equipped with motor/pump assembly and plumbing and fittings necessary for whirlpool operation. An optional drain/overflow kit is available for installation on the bath.

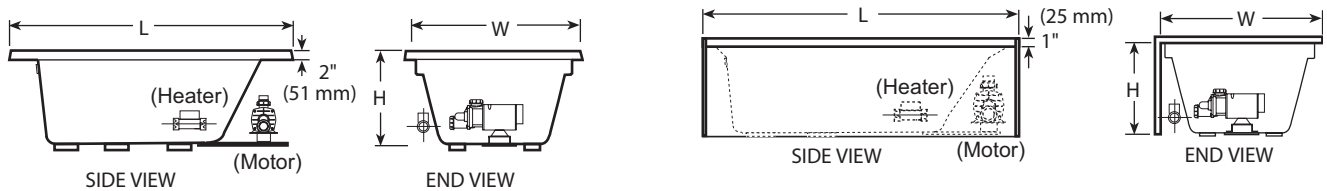
Remove the bath from the carton. Retain the shipping carton until satisfactory inspection of the product has been made. **Do not lift the bath by the plumbing at any time; handle by the shell only.**

Immediately upon receipt, inspect the shell before installing. Should inspection reveal any damage or defect in the finish, do not install the bath. Damage or defect to the finish claimed after the bath is installed is excluded from the warranty. Jacuzzi Whirlpool Bath's responsibility for shipping damage ceases upon delivery of the products in good order to the carrier. Refer any claims for damage to the carrier. For definitions of warranty coverage and limitations, refer to the published warranty information packed with the product.

All bath units are factory tested for proper operation and watertight connections prior to shipping. **Note: Prior to installation, the bath must be filled with water and operated to check for leaks that may have resulted from shipping damage or mishandling.** Jacuzzi Whirlpool Bath® is not responsible for any defect that could have been discovered, repaired, or avoided by following this inspection and testing procedure.

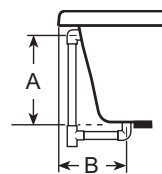
ENGLISH

RECTANGULAR BATHS



PLUS BATHS WITHOUT INTEGRAL SKIRT

PLUS BATHS WITH INTEGRAL SKIRT



DRAIN/OVERFLOW

SPECIFICATIONS (Rectangular)

MODEL	DIMENSIONS	DRAIN/OVERFLOW DIMENSIONS	CUTOUT	TOTAL WEIGHT/ FLOOR LOADING	OPERATING GALLONAGE	PRODUCT WEIGHT	SKIRT & MOUNTING	HEATER
AMIGA™ PLUS	72" (1829 mm) L* 36" (914 mm) W 20-3/4" (533 mm) H	16-7/8" (429 mm) A 14" (356 mm) B	70" x 34"	772 lb (351 kg)/ 43 lb/ft ² (210 kg/m ²)	50 U.S. gal (186 liters)	105 lb (48 kg)	Optional, U-Frame	Factory Installed (S750000 HEATER KIT)
CETRA® 536 PLUS WITH INTEGRAL SKIRT	60" (1524 mm) L* 36" (914 mm) W 21-1/4" (553 mm) H	18-1/2" (470 mm) A 9" (229 mm) B	NA	742 lb (337 kg)/ 50 lb/ft ² (244 kg/m ²)	48 U.S. gal (181 liters)	92 lb (42 kg)	Integral	Factory Installed (S750000 HEATER KIT)
SIGNA® 5 PLUS	60" (1524 mm) L* 42" (1067 mm) W 22" (559 mm) H	17-1/2" (445 mm) A 12-1/2" (318 mm) B	58" x 40"	708 lb (321 kg)/ 40 lb/ft ² (195 kg/m ²)	42 U.S. gal (159 liters)	108 lb (49 kg)	Optional, U-Frame	Factory Installed (S750000 HEATER KIT)
SIGNA® 6 PLUS	72" (1829 mm) L* 42" (1067 mm) W 22" (559 mm) H	16-7/8" (429 mm) A 14" (356 mm) B	70" x 40"	826 lb (375 kg)/ 39 lb/ft ² (190 kg/m ²)	55 U.S. gal (208 liters)	118 lb (54 kg)	Not Available	Factory Installed (S750000 HEATER KIT)

*Add 1/4" to this dimension when roughing-in for 3-wall niche.

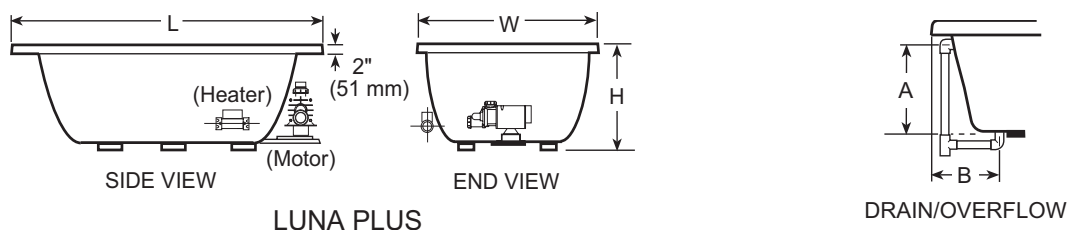
NOTE: The overall dimensions are nominal with a tolerance of +0 and -1/4".

FOR ALL UNITS: Electrical Service Requirements: All require a dedicated GFCI protected separate circuit.

RapidHeat™: 120 VAC, 15 AMP, 60 Hz. dedicated GFCI protected separate circuit.

Motor/Pump: 120 VAC, 15 AMP, 60 Hz. dedicated GFCI protected separate circuit.

RIMLESS OVAL BATHS



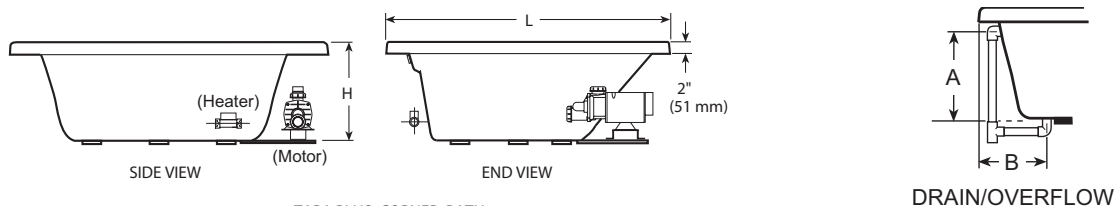
LUNA PLUS

SPECIFICATIONS (Oval)

MODEL	DIMENSIONS	DRAIN/OVERFLOW DIMENSIONS	CUTOUT	TOTAL WEIGHT/FLOOR LOADING	OPERATING GALLONAGE	PRODUCT WEIGHT	SKIRT & MOUNTING	HEATER
LUNA™ PLUS	72" (1829 mm) L 42" (1118 mm) W 23" (584 mm) H	19-1/8" (486 mm) A 11" (279 mm) B	Template Provided P/N P819000	1176 lb (535 kg)/ 56 lb/ft ² (273 kg/m ²)	96 U.S. gal (364 liters)	126 lb (57 kg)	Not Available	Factory Installed (S750000 HEATER KIT)

NOTE: The overall dimensions are nominal with a tolerance of +0 and -1/4".
FOR ALL UNITS: Electrical Service Requirements: All require a dedicated GFCI protected separate circuit.
 RapidHeat™: 120 VAC, 15 AMP, 60 Hz. dedicated GFCI protected separate circuit.
 Motor/Pump: 120 VAC, 15 Amp, 60 Hz. dedicated GFCI protected separate circuit.

CORNER BATHS



TARA PLUS CORNER BATH

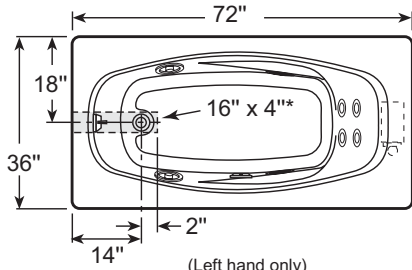
SPECIFICATIONS (Corner)

MODEL	DIMENSIONS	DRAIN/OVERFLOW DIMENSIONS	CUTOUT	TOTAL WEIGHT/FLOOR LOADING	OPERATING GALLONAGE	PRODUCT WEIGHT	SKIRT & MOUNTING	HEATER
TARA™ PLUS	60" (1524 mm) L 60" (1524 mm) L 20-3/4" (527 mm) H	16" (406 mm) A 12-3/8" (314 mm) B	See Page 3	984 lb (447 kg)/ 39 lb/ft ² (190 kg/m ²)	74 U.S. gal (280 liters)	118 lb (54 kg)	Optional	Factory Installed (S750000 HEATER KIT)

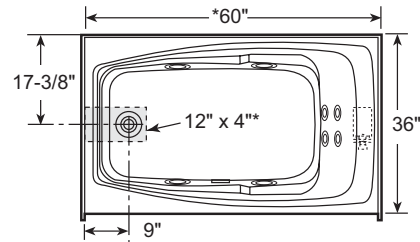
NOTE: The overall dimensions are nominal with a tolerance of +0 and -1/4".
FOR ALL UNITS: Electrical Service Requirements: All require a dedicated GFCI protected separate circuit.
 RapidHeat™: 120 VAC, 15 AMP, 60 Hz. dedicated GFCI protected separate circuit.
 Motor/Pump: 120 VAC, 15 Amp, 60 Hz. dedicated GFCI protected separate circuit.

ROUGHING-IN REFERENCE (RECTANGULAR)

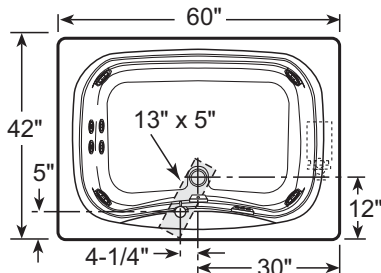
- Note:
1. Baths shown are left-hand unless otherwise specified. Right-hand is a mirror image.
 2. Some units have been provided with cutout templates included in shipping carton. See CUTOUT information for each model on page 1 and 2.
 3. THE OVERALL DIMENSIONS ARE NOMINAL WITH A TOLERANCE OF +0 AND -1/4".
 4. Measurements inside each unit represent cutout in floor to allow for drain/overflow.
 5. All measurements are in inches. To convert to millimeters, multiply inches by 25.4.



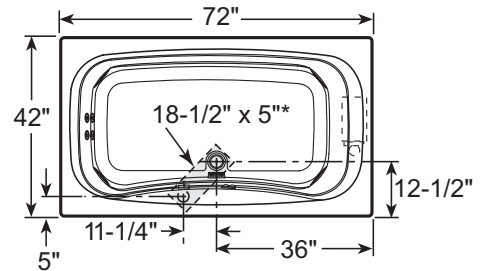
(Left hand only)
AMIGA PLUS



(Left hand shown. Right hand is mirror image.)
CETRA 536 PLUS WITH INTEGRAL SKIRT



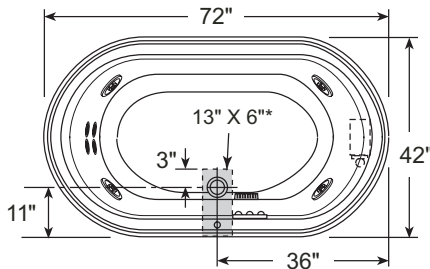
(Right hand only.)
SIGNA 5 PLUS



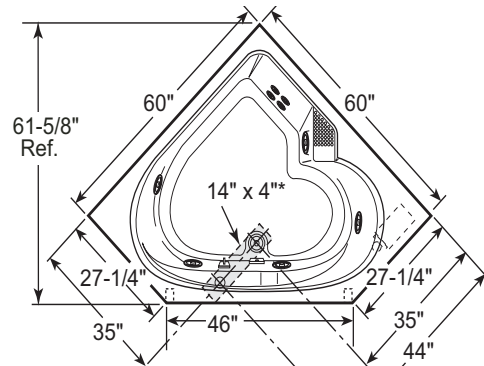
(Right hand only.)
SIGNA 6 PLUS

*Add 1/4" to this dimension when roughing-in for 3-wall niche.

ROUGHING-IN REFERENCE (OVAL AND CORNER)

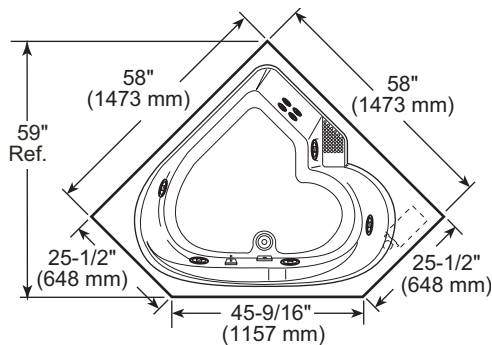


(Right-hand only.)
LUNA PLUS



⊞ - 2" x 4" Stud
(Right hand only)
TARA PLUS

CUTOUT- CORNER BATH

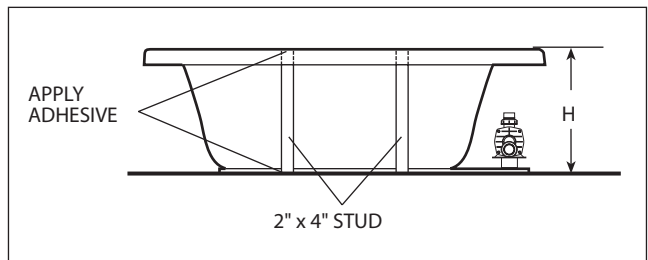


CUTOUT
TARA PLUS

Corner Baths with Skirt

If an optional skirt is used on a corner bath, additional support is necessary in the front of the unit. Measure the height from the floor to the underside of the bath rim. Cut two 2" x 4" studs, apply adhesive to both ends and install.

SUPPORT FOR CORNER BATHS



Framing and Support

The drain/overflow of the bath extends below the bottom of the bath. Note that this requires a cutout in the floor.

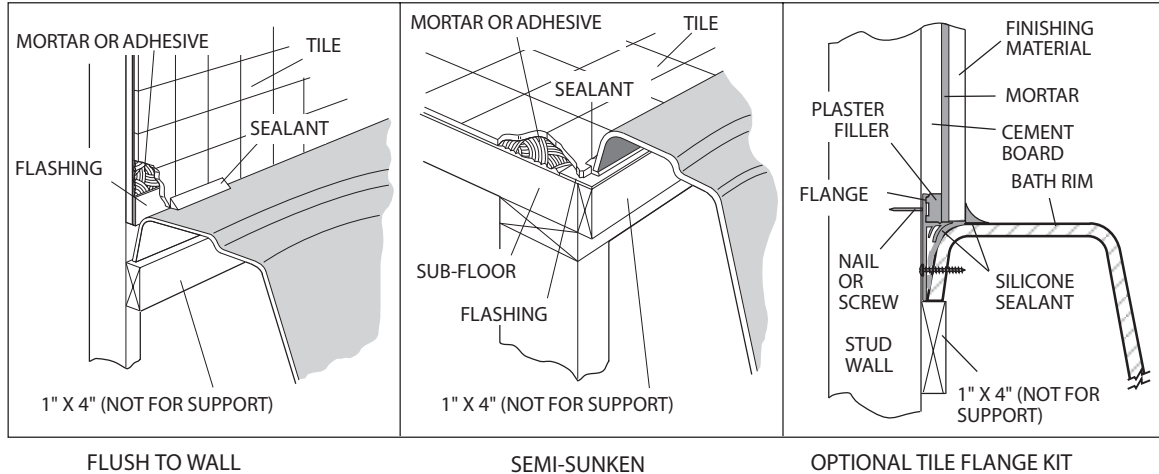
The floor structure beneath the bath must be able to support a total weight of bath, water, and bather. Refer to the table under total weight for your model. The unit must be supported from the bottom of the bath and **not** from the bath rim or tile flange. If the subfloor is level and a continuous surface, no other preparation is necessary. You can proceed to install the bath. If the subfloor is not level, you **MUST** level the entire surface prior to installing the bath. The use of materials that shim or provide a level installation are allowed provided the method used will insure a level bath that is supported from the bottom. Materials that may be used are a floor leveling compound, mortar, plaster or minimal expansion structural foam having a density of a minimum of 5 lbs./cubic ft.; however the bath must remain level in order for it to drain properly and all foam feet must make full contact with the leveling material. Both sides of a joint or splice of subfloor should be level to each other. **When attaching baths with flanges to stud wall, use shims to fill any gaps between the bath flange and studs.**

The rim of the bath is not designed to support weight. If finish material is to overlap or contact the bath, the added weight must be fully self-supporting.

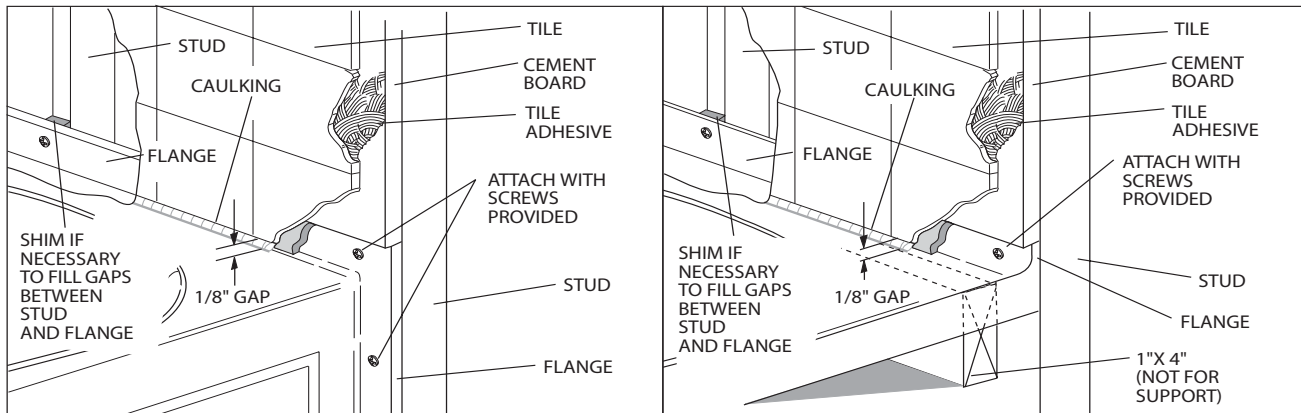
The protective film liner inside the bath is used to prevent damage to the finish during installation. Before installation, remove liner to inspect for any defects, reapply and do not remove until final cleanup.

Important: If a skirt is to be used, it must be installed at the time of unit installation – refer to skirt installation instructions. Install optional trim parts when all installation has been completed.

TYPICAL INSTALLATIONS

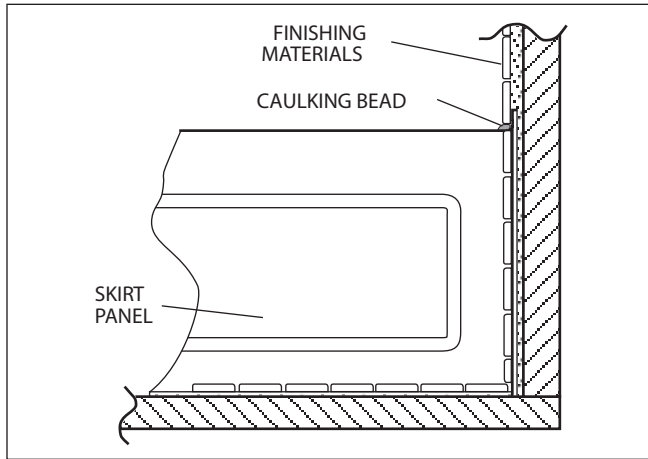


TYPICAL FLANGE MOUNTING DETAIL

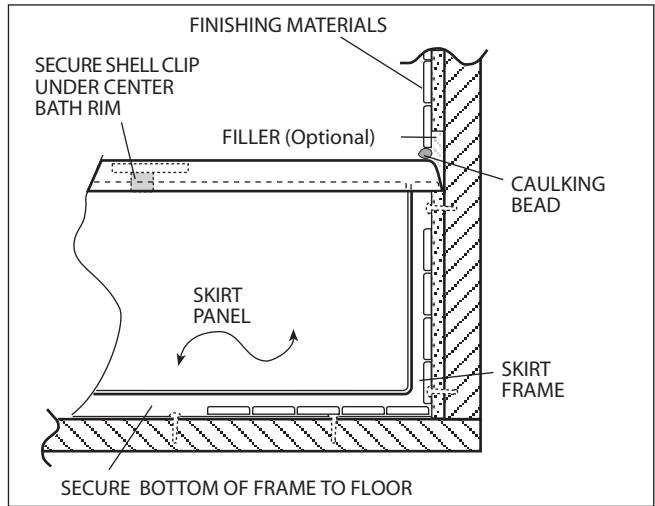


Skirts

INTEGRAL SKIRT MOUNTING DETAIL



U FRAME SKIRT MOUNTING DETAIL

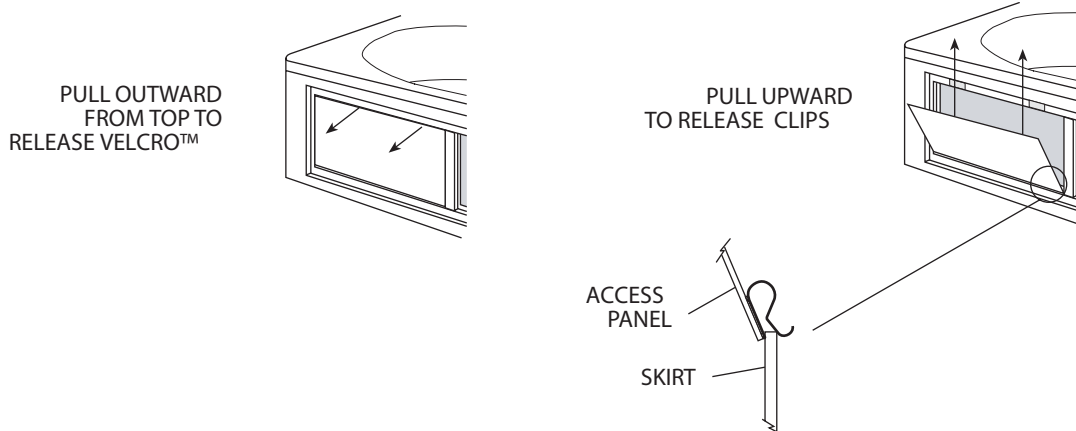


ENGLISH

Removable Skirt Panel

To remove panel, grab the top of access panel and pull outward to release Velcro™. Then pull access panel upward to release holding clips.

To reinstall, engage holding clips onto skirt and then push panel forward to reengage Velcro™.



Service Access

For partially or fully sunken installations, allow for access to service connections. It is the installer's responsibility to provide sufficient service access. The recommended minimum dimensions allowable for service to the bath are shown in the "Service Access" illustration.

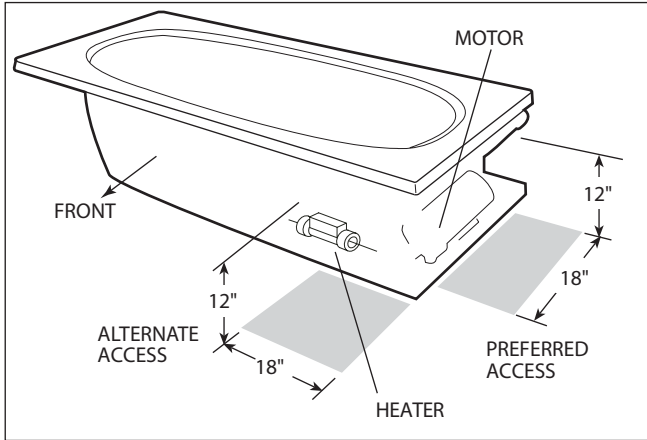
Provide adequate area around unit for air circulation for cooling the motor and to supply sufficient air to the jets. Do not insulate this area or around motor.

RapidHeat™ Service Access

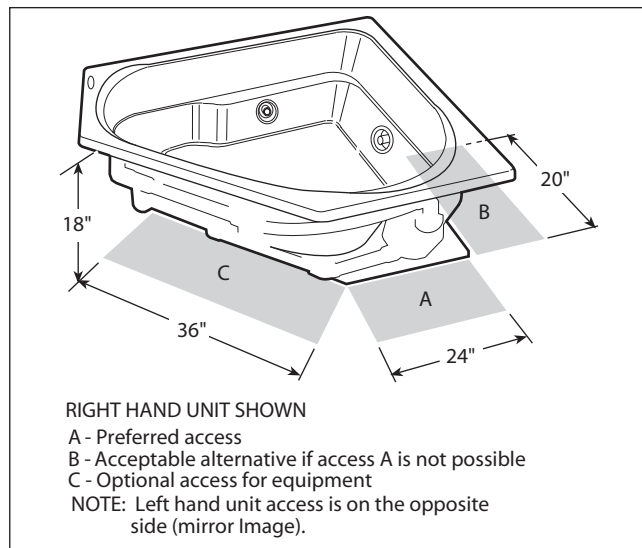
Comfort Plus tubs come with a factory installed RapidHeat™ heater and you may consider an additional service access.

If service access has not been provided, it is the home owners responsibility to remove the bath and provide the required access, should a repair become necessary.

SERVICE ACCESS (WITHOUT SKIRT)



SERVICE ACCESS (CORNER BATHS)



Service Access with Skirt

An optional skirt fits along the side of the bath for above-floor installations and is also an access panel for servicing. Allow a space of at least 8 inches away from the bath for skirt removal.

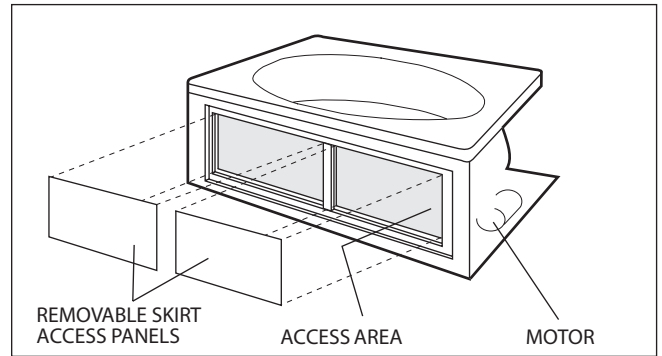
The skirt is designed to accommodate the added height of the tile, linoleum, or other floor coverings up to 1-1/4 inches above the floor, and will be flush with the floor when installed.

More detailed instructions on skirt installation are provided with the optional skirt assembly.

Service Access with Integral Skirt

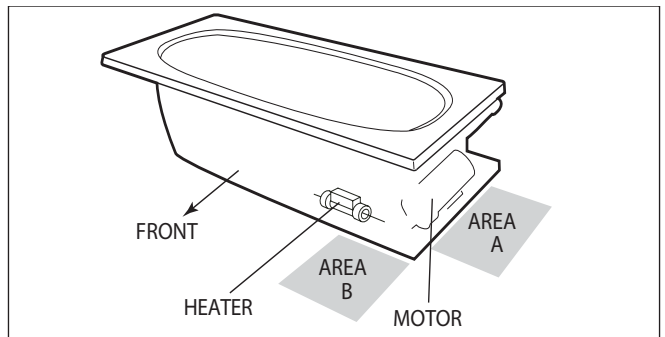
Service access is through the removable skirt panels.

SERVICE ACCESS (WITH INTEGRAL SKIRT)



In some cases, access may not have been provided because of the design of the bath environment and having full understanding that in this case, it may be necessary to remove the unit for service.

If this is the case, diagnosing a problem may not be possible without complete access to the plumbing system. This would necessitate the removal of the unit. Although this practice is not commonly implemented, it is an acceptable method.



In some cases access may have been provided in Area A but service is required in Area B which requires the unit to be pulled for service and reinstalled.

If service access has not been provided, it is the home owners responsibility to remove the bath and provide the required access, should a repair become necessary.

Electrical Connections

Two separate 120 VAC, 15 AMP circuits, which must be protected by a Ground Fault Circuit Interrupter (GFCI), are required. Install duplex outlets to the studwall underneath the bathtub, at least 4 inches above the floor. The duplex outlets are not provided. One circuit is for the pump/motor and the other is for the RapidHeat™ heater.

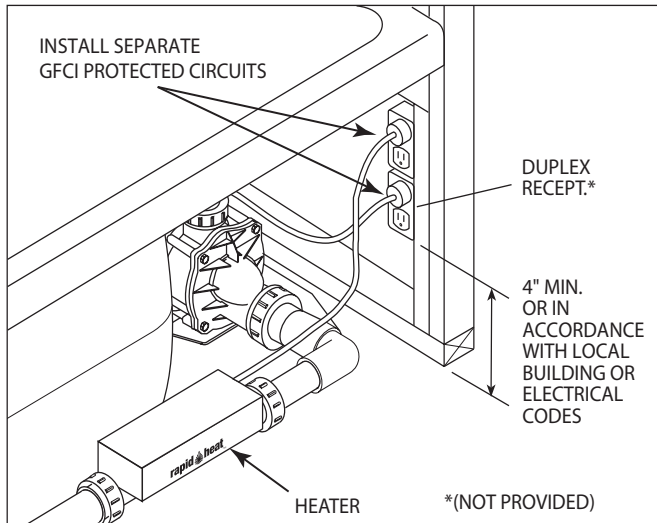
Install a separate 120 VAC, 15 AMP dedicated circuit with GFCI protection. With a #8 solid copper wire, bond the heater to the house electrical panel or approved local bond. A bonding lug is provided on the heater.

At initial start-up and before each use thereafter with power ON, push the GFCI test button. The reset button should pop out. Push this button in to reset. If the interrupter fails to operate in this manner, there is a ground current flowing or a device malfunction, indicating the possibility of electrical shock. **Turn off power and do not use the bath until the source of the problem has been identified and corrected.**

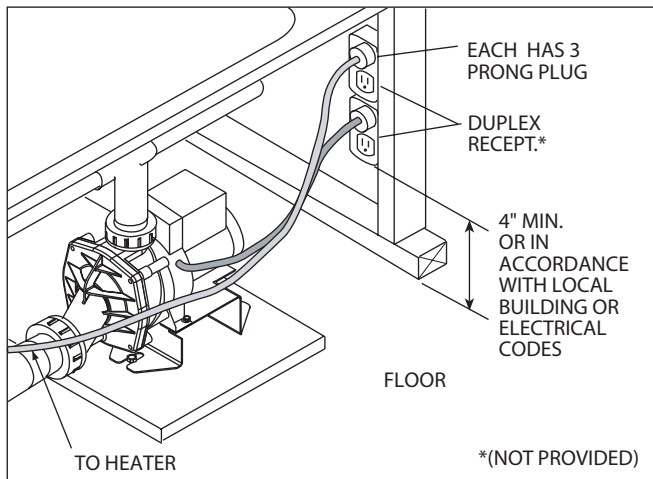
DANGER: RISK OF ELECTRIC SHOCK. Connect only to a circuit protected by a Ground Fault Circuit Interrupter.

CAUTION: Operating the motor/pump without enough water in the bath can cause leaking and permanent damage to the pump and/or heater. Before power is applied to the installation, make sure the switch is in the OFF position to avoid pump damage.

ELECTRICAL CONNECTION WITH RAPIDHEAT



ELECTRICAL CONNECTION (FOR CORNER BATHS)



Plumbing and Water Supply

Drain Information

A drain/overflow assembly (sold separately) must be installed on the bath, water tested, and connected to the sanitary system of the house. After opening the carton, inspect for damage and verify that the kit is of the proper finish. In the Jacuzzi Whirlpool Bath® drain/overflow kit, note that the waste flange, strainer, overflow cover and cover screws are packaged in a separate package within the kit to protect the trim finish. Follow the installation instructions provided with your drain/overflow kit. After the drain is fully installed, test for proper drainage. If the unit does not drain properly, rectify this condition before proceeding with the installation. Jacuzzi Whirlpool Bath® is not responsible for removal and or reinstallation costs.

NOTE: Watertight installation of the drain is the installer's responsibility. Drain leakage is excluded from the Jacuzzi Whirlpool Bath® warranty of this product.

Plumbing


Pump, jets, and suction fittings for the whirlpool system are factory plumbed in Schedule 40 PVC piping.

All Jacuzzi Whirlpool Bath® products are factory tested for proper operation and watertight connections prior to shipping. If leaks are detected, notify Jacuzzi Whirlpool Bath. Do not install the unit.

Water Supply

Consult local authorities for plumbing code requirements in your area.

IMPORTANT: Proper installation of the fill spout plumbing and compliance with local codes are the responsibility of the installer. Jacuzzi Whirlpool Bath® does not warrant connections of water supply fittings and piping, fill systems, or drain/overflow systems. Nor is it responsible for damage to the bath which occurs during installation.

 **CAUTION: A nonflammable protective barrier must be placed between soldering work and bath unit to prevent damage to the bath.**

Clean-Up After Installation

To avoid dulling and scratching the surface of the bath, never use abrasive cleaners. A mild liquid detergent and warm water will clean soiled surfaces.

Remove spilled plaster with a wood or plastic edge. Metal tools will scratch the surface. Spots left by plaster or grout can be removed if lightly rubbed with detergent on a damp cloth or sponge.

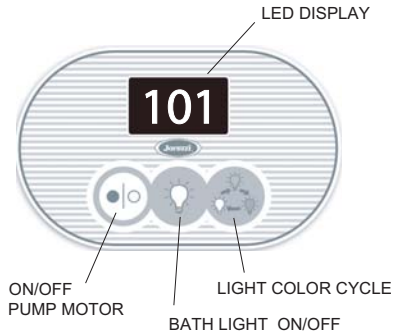
Major scratches and gouges which penetrate the acrylic surface will require refinishing. Contact your Jacuzzi Whirlpool Bath® dealer for special instructions.

OPERATING INSTRUCTIONS

Operation

Note: These instructions pertain to all bath products manufactured by Jacuzzi Whirlpool Bath. Not all features discussed in this instruction pamphlet apply to all baths.

All baths manufactured by Jacuzzi Whirlpool Bath® are designed for "fill and drain," which means the bath should be drained after each use and filled with fresh water by the next bather. This is a health precaution, as these baths are not designed to hold water continuously like pools or spas.



Control Panel

Comfort Plus With Light System

The Comfort Plus With Light System control panel, located on the bath, allows you to control the pump, observe the water temperature, and control the Chromotherapy lighting system while in the bath. During operation the system displays water temperature allowing for an approximate temperature fill. The Chromotherapy lighting system controls the 2 Channel Chromotherapy lamps where you can turn on bath lighting in white, a color of choice, or a continuous flow through all colors. The system (pump, heater, and display) automatically shuts off after 30 minutes of operation, the Chromotherapy lighting system has a 4 hour lamp timeout. To restart the system (pump, heater, and display) simply press the ON/OFF button again.

CAUTION: Temperature sensors and values are approximate and may vary. Use caution when entering heated water.

On/Off Pump/Motor

Pressing this button will turn ON the pump/motor. Pressing a second time will turn OFF the pump/motor.

Bath Light ON/OFF

Pressing this button will turn ON the bath light(s). The light(s) will come ON displaying the White colored light. Pressing a second time will turn all light(s) OFF. (Use the "Light Color Cycle" button to turn ON the color lights.)

Light Color Cycle

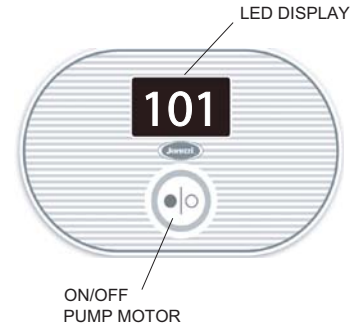
Pressing this button will turn ON the colored light(s) to the "favorite" light (default is blue). Pressing this button again will begin the light(s) cycling through each of the available colors. This will continue until the Light Color Cycle button is pushed again, which stops the light cycling action on the current color. Press the button again and you will begin the Light Color Cycle again.

To create a new "favorite" color: Allow the lights to rotate to the new "favorite" light color. Stop the cycling on that color. Press and hold down the button for three seconds (the light will then blink to confirm the new "favorite").

LED Display

The Comfort Plus control panel water temperature displays when the water level covers the internal water sensor even if the **Comfort Plus With Light System** controls are not turned ON. This feature is designed to give a temperature indication even if the whirlpool system is not being used.

Pressing and holding the ON/OFF button for three (3) seconds displays a "time remaining" minute countdown. After displaying the "time remaining" countdown for 30 seconds, the readout reverts back to the temperature display.



Control Panel

Comfort Plus No Light System

The Comfort Plus control panel, located on the bath, allows you to control the pump and observe the water temperature while in the bath. During operation the system displays water temperature allowing for an approximate temperature fill. The system (pump, heater, and display) automatically shuts off after 30 minutes of operation. To restart simply press the ON/OFF button again.

CAUTION: Temperature sensors and values are approximate and may vary. Use caution when entering heated water.

On/Off Pump/Motor

Pressing this button will turn ON the pump/motor. Pressing a second time will turn OFF the pump/motor.

LED Display

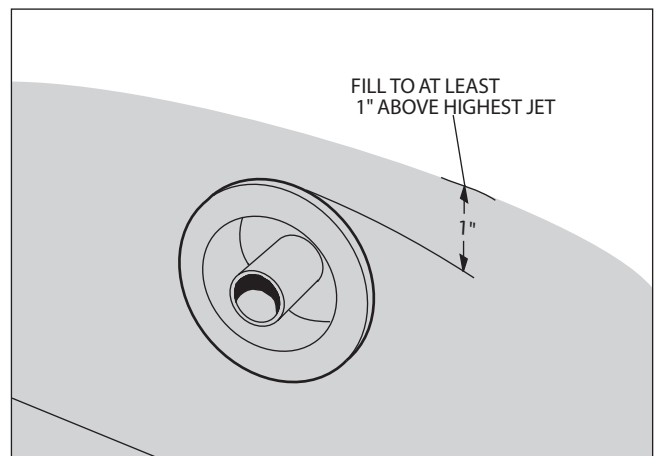
The Comfort Plus control panel water temperature displays when the water level covers the internal water sensor even if the **Comfort Plus No Light System** controls are not turned ON. This feature is designed to give a temperature indication even if the whirlpool system is not being used.

Pressing and holding the ON/OFF button for three (3) seconds displays a "time remaining" minute countdown. After displaying the "time remaining" countdown for 30 seconds, the readout reverts back to the temperature display.

Water Level

Close the drain and fill the bath until water is at least 1" above the highest jet (see water line indicated in the illustration). **Do not turn on the whirlpool system at any time if the jets are not completely immersed in water.** Running the whirlpool system when there is insufficient water in the bath could result in water spraying outside the bath area. Running the whirlpool system without water will damage the recirculating pump.

Do not immerse the control panel by overfilling the bath.



Controlling Whirlpool Action

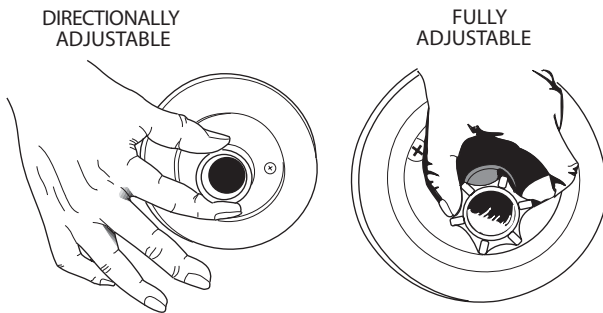
The whirlpool action in your bath is influenced by three factors – direction of flow, force of water, and force of air. All whirlpool baths manufactured by Jacuzzi Whirlpool Bath® are equipped with adjustable PowerPro® jets, that may be adjustable for one or more of the three factors.

Direction: To change the direction of the water flow, swivel the jet nozzle to the desired angle. The jets can be directed individually toward any location on your body to provide a hydromassage. The jets can also be adjusted so that they all point in the same direction (clockwise or counterclockwise) to circulate the water in a circular motion around the bath, causing a total whirlpool effect.

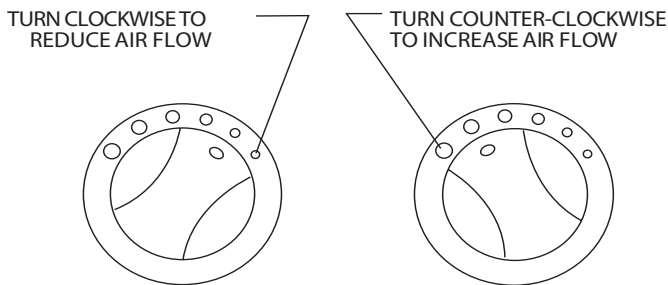
Water Force: The high volume, fully adjustable jets can be adjusted to control the force of the water coming into the bath. For robust action, increase the force of the flow by rotating the jet handles to the left (counterclockwise). For a more gentle effect, rotate the handles to the right (clockwise). **Never run the whirlpool system with all the jets closed.**

Force of Air: Two knobs located on the bath serve as controls for the air induction system. The intensity of the hydromassage whirlpool action is determined by the amount of air inducted into the water. As the amount of air is increased, the hydromassage action increases. For maximum air induction, rotate the control knobs fully counterclockwise to the largest circles. For fewer air bubbles, decrease the amount of air induction by rotating the control knob clockwise. When the knobs are turned to the smallest circles, only water is being circulated.

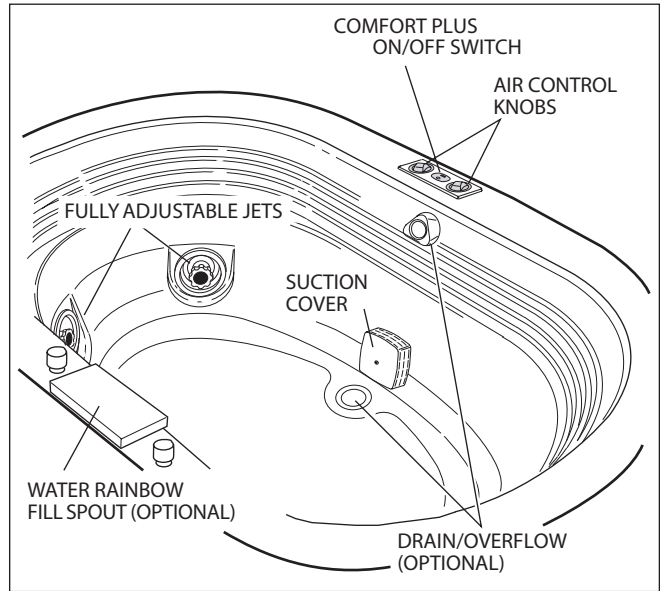
JETS



AIR INDUCTION CONTROLS



TYPICAL BATH FITTINGS



RapidHeat™ Operation

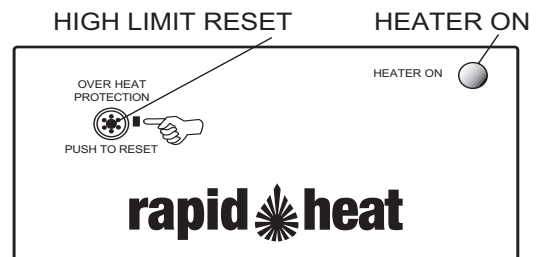
Once the heater is installed and the whirlpool pump is operating, the heating function is totally automatic. The heater will help maintain the temperature of the water in the bath.

Vacuum Switch

The heater is equipped with a preset vacuum switch which will not allow the heater to turn ON if the pump is not running with water flowing through the whirlpool system.

High-Limit Switch

The heater includes an exclusive High-Limit switch. This safety circuit will not false trip from hot tap water. It will only turn off the heater if the thermostat fails. To reset, press the button. If the high-limit trips frequently, contact your Authorized Electrical/Mechanical Service Provider. Visit our web site at <http://www.jacuzzi.com/> to find a Service Provider.



MAINTENANCE INSTRUCTIONS

Cleaning the Bath

To clean your bath, simply use a mild, nonabrasive liquid detergent solution. You can protect and restore the gloss to a dulled acrylic surface by applying an acrylic polish or automotive paste wax.

Never use abrasive household cleaners on any Jacuzzi Whirlpool Bath® product.

Repairs to the Surface

Major scratches and gouges which penetrate the acrylic surface will require refinishing. Contact your Jacuzzi Whirlpool Bath® dealer for special instructions.

Purging the Whirlpool System

NOTE: THE WHIRLPOOL SYSTEM SHOULD BE PURGED AT LEAST TWICE A MONTH

To remove accumulations of bath residue from the whirlpool system, it is recommended that the whirlpool bath be purged at least twice a month. For best results, however, we recommend that you purge your whirlpool bath after each use using our exclusive two-part plumbing system cleaner made specifically for whirlpool baths.

Systems Clean™ is available through an authorized Jacuzzi Whirlpool Bath® Distributor or by calling us direct at 1-800-288-4002.

Instructions for use: Immediately after bathing and exiting the whirlpool bath, leave the bath water in the tub and add hot water, if necessary, so the water is at least 1" above the highest jet. Turn on the unit without the aerator. Pour the contents of the Systems Clean Packet 1 (taking care not to get the material on yourself) into the bath near the intake for the circulation pump. Repeat same process with Systems Clean Packet 2. **It is important to use Packet 1 before Packet 2 to avoid a strong odor.** Run the bath for 5 to 10 minutes. Drain completely and rinse any residue.

If you have followed the standard purging instructions above and still have an excess accumulation of bath residue and desire an alternative cleaning mechanism, we recommend **SUPER SYSTEMS CLEAN PLUS** manufactured by Stearns Packaging to rectify this condition. This may be obtained by contacting us at 1-800-288-4002. It is recommended that you follow the instructions provided by the manufacturer with the product. Repeated use may be necessary. **SUPER SYSTEMS CLEAN PLUS** does not replace the necessity to regularly purge your whirlpool system with Systems Clean as recommended.

(For additional information about water content, contact us for a copy of the *Jacuzzi Water Quality Primer*.)

Bath Additives

NOTE: DO NOT USE OIL OR OIL BASED BATH ADDITIVES.

If you want to use any kind of bath additive, use only a small amount of low-foaming powder or crystal substance; the whirlpool action intensifies the foaming properties of soaps.

The use of certain bath oils, bubble baths and bath additives may increase the level of accumulations of bath residue in the whirlpool system. If excess accumulations persist, you should discontinue use of these products.

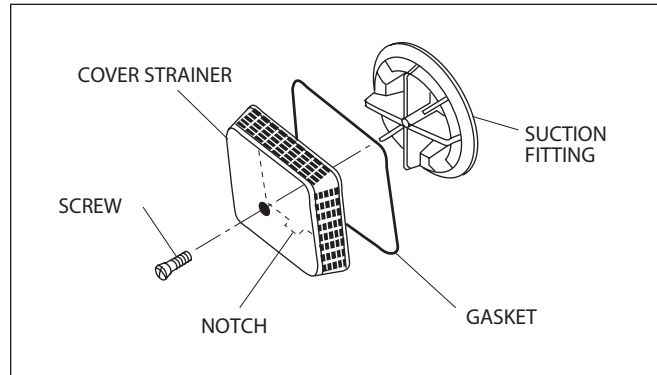
Suction Cover/Strainer Maintenance

Clean the suction cover/strainer of hair and debris when necessary. To do this, remove the center screw and detach the square cover. Clean the cover by backflushing debris from the holes. Replace the suction cover immediately after cleaning. When reinstalling, orient the cover/strainer with the small notch at the bottom. The gasket must be inserted into the groove of the cover/strainer before reinstalling onto the suction fitting.



CAUTION: Keep hair a minimum of 6 inches away from the suction fitting at all times when the whirlpool system is operating. Hair longer than shoulder length should be secured close to the head, or a bathing cap should be worn. Do not operate the whirlpool system with the suction cover removed! It is a safety device and must always be in place on the suction fitting to minimize the potential hazard of hair and body entrapment.

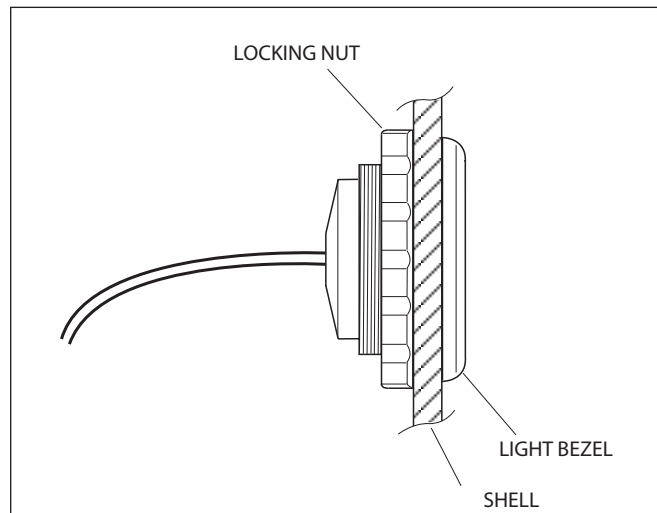
SUCTION COVER/STRAINER ASSEMBLY



Lamp

If your unit has chromotherapy lighting and the lights fail to function contact your Jacuzzi Whirlpool Bath® dealer. There are no customer serviceable components on the chromotherapy lighting. You may also visit our web site at <http://www.jacuzzi.com/> to find the nearest authorized service agent listing for your Jacuzzi Comfort Plus tub.

LED LIGHT ASSEMBLY



General Whirlpool Bath Troubleshooting Guide

PROBLEM	PROBABLE CAUSES	REMEDY
Pump/Motor does not start.	No power to pump/motor.	Reset GFCI.
	Pump/motor not plugged in.	Insert plug fully into outlet.
	Magic Touch switch - air tube not connected to switch or to air switch on pump/motor.	Reconnect tube to Magic Touch switch or to air switch pump/motor.
	Pump/motor faulty.	Replace pump/motor assembly.
Pump/Motor operates but no fully adjustable jets are functioning.	Jets are closed.	Open jets by rotating counterclockwise.
	Suction cover may be clogged.	With motor turned off, remove safety cover and remove any debris. Replace suction cover before operating.
Pump/Motor operates but air is not injected into water.	Air valves closed.	Open air control valves.
Pump/motor does not shutoff.	If a wall timer is used, the timer is defective	Replace timer.
Water leakage from pump unions.	Overtightened, O-ring may be pinched or improperly seated, under tightened.	Untighten unions check and reset O-ring. If O-ring has been pinched out of shape, replace (refer to Service Support number below). When tightening union nuts, hand tighten only.
Pump/motor shuts off by itself or with wall timer, before set time elapses.	Motor thermal protection has deactivated pump/motor due to overheating. (Supply voltage low.)	Let motor cool; thermal protection will reset. Check for proper ventilation. (Check supply voltage.)
	GFCI tripped.	Reset GFCI. If it continues to trip do not use this unit. Disconnect the unit and have the problem corrected by a licensed electrician before using.
	Inadequate supply wiring.	Consult a licensed electrician to correct wiring to unit.
Chromotherapy lights fail to operate.	Fiber-optic connector has come loose.	Consult the nearest Jacuzzi authorized service agent.

NOTE: If unit is within the warranty period, contact Jacuzzi Whirlpool Bath® Service Support at 1- (800)- 288-4002 with bath's serial number before work is started. The Serial Number is located on the Specification/Serial Number Plate. See page 14.

**PRODUCT SPECIFICATIONS ARE SUBJECT TO CHANGE WITHOUT NOTICE.
USE INSTALLATION INSTRUCTIONS SUPPLIED WITH PRODUCT.**

Jacuzzi Whirlpool Bath® has obtained applicable code (standards) listings generally available on a national basis for products of this type. It is the responsibility of the installer/owner to determine specific local code compliance prior to installation of the product. Jacuzzi Whirlpool Bath® makes no representation or warranty regarding, and will not be responsible for any code compliance.

Jacuzzi Whirlpool Bath®
P.O. Box 702168, Dallas, TX 75370-2168
Service Support: (800) 288-4002

© 2005 Jacuzzi Whirlpool Bath® BP43000 2/05



Printed on Recycled Paper

Printed in the U.S.A.

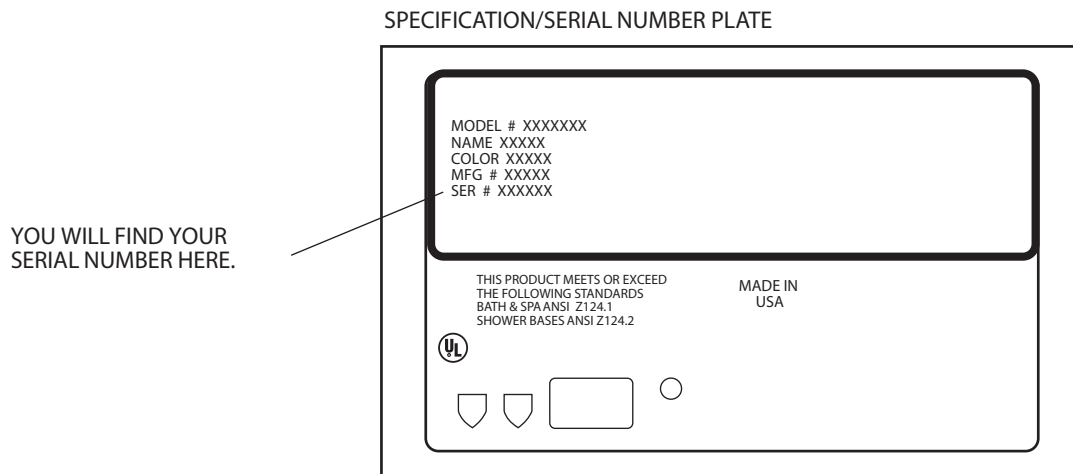
Authorized Service

If you need a referral for a service company near you, or need assistance with operation or maintenance related questions, please call our Service Support Department at 1-800-288-4002. For service agent listing, visit our web site at <http://www.jacuzzi.com/>. To find the service agent listings, click on For The Trade. Then click on Electrical/Mechanical Service Agents. Depending on the problem, click on Electrical/Mechanical Repairs or Finish, Surface or Shell-Related Problems.

When requesting service or technical assistance please have available both the model and serial number of your unit. This information can be obtained from the product registration card provided with your unit. If the card has been misplaced, this information can be obtained from the specification/serial number label on the unit itself (for location of specification/serial number label see below).

BATH PRODUCTS

Whirlpool baths: The label is located on the wall of the bath near the pump/motor.





ADDENDUM

AUTHORIZED SERVICE Change

This sheet replaces the Authorized Service page in this manual.

AUTHORIZED SERVICE

If you need a referral for a service company near you, or need assistance with operation or maintenance related questions, please call our Service Support Department at 1-800-288-4002. Visit our web site at <http://www.jacuzzi.com/> for products and services.

To find service agent listings for:

Electrical or Mechanical Repairs visit <http://jacuzzi.com/pdf/ASA.PDF>

Finish, Surface, or Shell-Related Repairs visit <http://jacuzzi.com/pdf/AFC.PDF>

Repair Parts or Accessories visit <http://jacuzzi.com/pdf/MPD.PDF>

When requesting service or technical assistance please have available both the model and serial number of your unit. This information can be obtained from the product registration card provided with your unit. If the card has been misplaced, this information can be obtained from the specification/serial number label on the unit itself (for location of specification/serial number label see below).

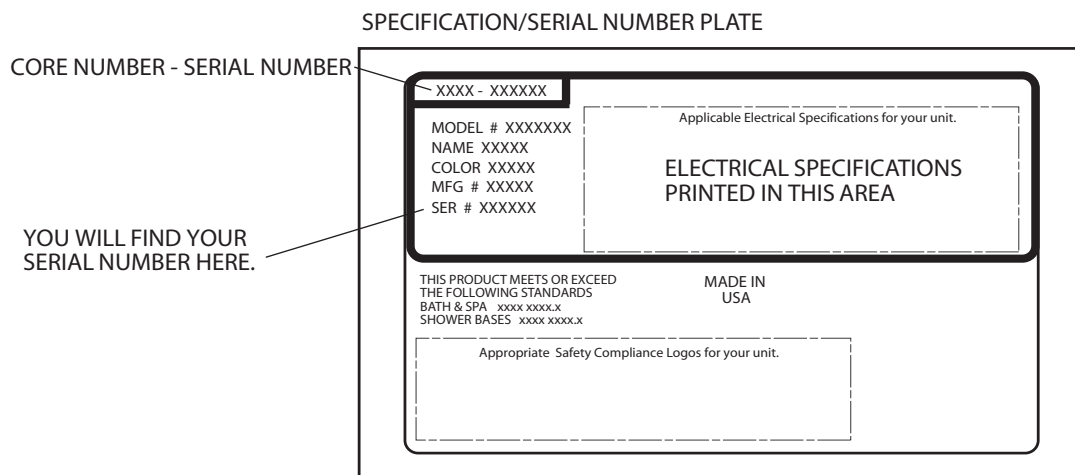
BATH PRODUCTS

Combination baths: The label is located on the wall of the bath near the pump/motor.

Whirlpool baths: The label is located on the wall of the bath near the pump/motor.

Air Baths: The label is located on the wall of the bath near the blower.

Non-jetted baths: The label is located next to the overflow.



Jacuzzi Whirlpool Bath Limited Warranty Comfort Plus Bath Product

WARRANTY COVERAGE

Jacuzzi Whirlpool Bath (the "Company") offers the following express limited warranty to the original purchaser of any Jacuzzi Whirlpool Bath Comfort Plus Group Bath Product ("unit") who purchases the product for personal or single family use ("user"). The Company will repair or replace, at its option, the unit or its equipment in accordance with the following terms and conditions.

ONE YEAR LIMITED WARRANTY ON BATHS

Our limited warranty on Comfort Plus Group Bath products is for one (1) year. Our warranty covers the unit and factory-installed components (e.g., pump, motor) against defects in material or workmanship. Warranty coverage begins on the date the unit was originally purchased by the user.

FIVE YEAR (PARTS ONLY) LIMITED WARRANTY ON PUMP AND MOTOR

Our limited warranty on the pump and motor is for five (5) years for parts only. Warranty coverage begins on the date the unit was originally purchased by the user.

NINETY DAY (PARTS ONLY) LIMITED WARRANTY ON OPTIONS AND ACCESSORIES

Our limited warranty on options and accessories manufactured by the Company is for ninety (90) days for parts only. Our warranty covers options and accessories manufactured by the Company (e.g., fill spout kits, trim kits, skirts) against defects in material or workmanship. Warranty coverage begins on the date the option or accessory was originally purchased by the user.

WARRANTY LIMITATIONS

Our limited warranty does not cover defects, damage, or failure caused by the common carrier, installer, user, or other person, or resulting from, without limitation, any of the following: careless handling (lifting unit by plumbing, abrading finish, etc.) including its own negligence; modification of any type for any reason (including modification to meet local codes); improper installation (including installation not in accordance with instructions and specifications provided with the unit); connections supplied by the installer of the equipment; improper voltage supply or unauthorized electrical modification; misuse; incorrect operation, or lack of proper routine maintenance; operation of the unit without specified minimum amount of water or at inappropriate water temperature; use of abrasive or improper cleaners; or acts of God, such as lightning, floods, earthquakes, etc.

In addition, THE COMPANY WILL NOT BE RESPONSIBLE FOR INCIDENTAL OR CONSEQUENTIAL DAMAGES or losses arising from any cause (e.g., water damage to carpet, ceiling, loss of use, etc.) including its own negligence; damages to, respecting, or resulting from: plated parts when pool and/or spa chemicals are used in the unit; optional bath equipment not manufactured by the Company but supplied by Dealer, installer or the Company; the unit's prior usage as an operational display; or defects that should have been discovered before installation. This limited warranty does not include: labor, transportation, or other costs incurred in the removal and/or reinstallation of the original unit and/or installation of a replacement unit; any costs relating to obtaining access for repair; or loss of use damage, including loss of sales, profit or business advantage of any kind under any circumstances. Bath units are excluded from any warranty coverage if any addition, deletion, or modification of any kind whatsoever has been made to the unit (or to any component).

Warranty coverage is provided in the United States of America and Canada.

EXCLUSION OF IMPLIED WARRANTIES

IMPLIED WARRANTIES OF MERCHANTABILITY AND FITNESS FOR A PARTICULAR PURPOSE ARE DISCLAIMED TO THE FULL EXTENT ALLOWED BY LAW.

NOTICE: This warranty gives you specific legal rights, and you may also have other rights which vary from state to state. There are no warranties applicable to Jacuzzi Whirlpool Bath products except as expressly stated herein or as implied by applicable state and federal laws. The Company will not be responsible for any statements or representations made in any form that go beyond, are broader than or are inconsistent with any authorized literature or specifications furnished by the Company.

Some states do not allow limitations on how long an implied warranty lasts, or the exclusion or limitation of incidental or consequential damages, so the above limitations and exclusions may not apply to you.

RETURN OF WARRANTY CARD

The attached Warranty Registration Card MUST be filled out by the purchaser within thirty (30) days from purchase and mailed to Jacuzzi Whirlpool Bath in order for this warranty to become effective.

Jacuzzi Whirlpool Bath
P.O. Box 702168
Dallas, TX 75370-2168

RESPONSIBILITIES OF OTHERS

Inspecting the unit prior to installation is the responsibility of the installer or building contractor who acts on behalf of the user. They are responsible for ensuring the unit is free of defect or damage. Notices are placed on and in the unit and on the shipping carton advising the installer of this responsibility. In the event of a problem, the unit must not be installed. The Company is not responsible for failures or damage that could have been discovered, repaired, or avoided by proper inspection and testing prior to installation.

Damage occurring in transit is the responsibility of the carrier. The user or installer MUST open the crate and inspect the unit for damage when it is delivered. If damage is discovered, it must be reported immediately to the seller and the carrier in writing, and an inspection requested. Failure of the carrier to respond should be reported to the seller and the carrier. Your freight claims should be filed promptly thereafter.

It is the responsibility of the installer, building contractor, or user to provide access for service. The Company is not responsible for any costs relating to obtaining access for repair. The user shall bear such costs and, if appropriate, must seek recovery from the installer.

Damage occurring to the unit during installation is the responsibility of the installer and/or building contractor and damage occurring thereafter is the responsibility of the user.

Failure of any optional equipment is the sole responsibility of the equipment manufacturer. (Options and accessories manufactured by the Company are warranted for ninety (90) days from the original date of purchase for parts only.)

The Distributor or Dealer is responsible for knowing local code requirements and notifying the installing contractor and/or user of these requirements at the time of purchase. The Company is not responsible for costs to modify any product to obtain any code approval, such as city, county, or state building codes in U.S.A. or municipal or provincial codes in Canada.

WARRANTY SERVICE

For the customer's benefit, the Company maintains a list of independent service personnel to perform required warranty service repairs. Such firms are not agents or representatives of the Company and cannot bind the Company by words or conduct.

The Company will provide the warranty service described above when the following conditions have been met: the failure is of the nature or type covered by the warranty; the user has informed an Authorized Jacuzzi Whirlpool Bath Service Agent or Warranty Service Department Representative of the nature of the problem during the warranty period; conclusive evidence (e.g., proof of purchase or installation) is provided to the foregoing by the user proving that the failure occurred or was discovered within the warranty period; an authorized independent service person or Company representative has been permitted to inspect the unit during regular business hours within a reasonable time after the problem was reported by the user.

In order to obtain warranty service, consult your local telephone book for the location of the nearest Jacuzzi Whirlpool Bath Authorized Service Agent. Describe the problem and the Authorized Service Agent will inspect the unit and provide the required warranty service.

If you are unable to contact a Jacuzzi Whirlpool Bath Authorized Service Agent, call or write:

Jacuzzi Whirlpool Bath
Warranty Service Department
P.O. Box 702168
Dallas, TX 75370-2168
Call: 1-(800) 288-4002

To obtain warranty replacement for factory-installed components for Company supplied options and accessories manufactured and supplied by the Company, call or write the above. Provide a description of the problem and proof of purchase. You will be instructed how to obtain replacements and where to return, at your expense, the failed component(s), option(s), or accessory(ies).

All replacement parts, equipment, and repairs shall assume the remaining warranty period of the part(s) replaced.

The Company's warranty obligation shall be discharged upon tender of replacement or repair. The customer's refusal to accept the tender terminates the Company's warranty obligation.

Jacuzzi Whirlpool Bath® BP43000 2/05

Ninety-Day
Parts Only
Limited Warranty
On
Accessory(ies)



Warranty Registration Card

This card must be filled out and returned to the address printed on the other side within thirty (30) days from date of purchase in order for this warranty to be come effective.

Purchaser's Name _____
Purchaser's Address _____
City _____ State _____ Zip _____

Date of Purchase _____

Model Name _____
Serial Number _____
Dealer's Name _____
Dealer's Address _____

1. How did you first hear about this Jacuzzi® product?
 Advertisement Article in Magazine/Newspaper
 Visited Dealer/Plumbing Supplier Yellow Pages
 Builder/Plumber/Remodeler Decorator/Architect
 Visited Retailer/Home Center Store
 Word of Mouth . . . Friend/Relative/Acquaintance
 Other (Please Describe) _____
2. Who first gave you specific information about this product (specifications, prices, etc.)?
 Dealer/Plumbing Supplier Builder Remodeler
 Plumbing Contractor Retailer/Home Center Store
 Decorator/Architect Already Installed
3. What was the main reason for purchase?
 Styling Warranty Service Product Features
 Brand Name Price Hydrotherapy
 Home Resale
 Other _____
4. Who finally decided which product you would buy?
 Self Spouse Self and Spouse Together
 Other Family Member Designer/Architect
 Builder/Plumber/Remodeler Already Installed
5. Who installed?
 Contractor/Plumber when remodeling
 Self/Spouse when remodeling
 Other _____
6. What is the current market value of this property?
 Please estimate \$ _____ years
7. What is the age of the head of the household?
 Elder Lasco Price Fixer
 Kohler American Standard Starling
 Other (Specify) _____
9. How long did you shop before purchasing unit?
 1 day 2 months- 6 months
 2-7 days 6 months- 1 year
 1 week- 2 weeks 1 year- 2 years
 2 weeks- 4 weeks +2 years
10. Approximately how long have you lived in this home?
 Please indicate, approximately, the total annual income of your household.
 Up to \$24,999 \$50,000 to \$74,999
 \$25,000 to \$29,999 \$75,000 to \$99,999
 \$30,000 to \$39,999 \$100,000 to \$149,999
 \$40,000 to \$49,999 \$150,000 and above
12. Was your purchase process?
 Very easy Easy Difficult Very Difficult
 How technically aware were you of the patented Jacuzzi® jet system prior to your purchase?
 Not aware Somewhat aware Very aware

Ninety-Day
Parts Only
Limited Warranty
On
Accessory(ies)

JACUZZI WHIRLPOOL BATH
BP43000



SERIE DE TINAS COMFORT PLUS

MANUAL DE INSTALACION Y OPERACION

ESPAÑOL


Instalador: Deje este manual al propietario.
Propietario: Lea este manual y guárdelo para referencia en el futuro.

© 2005 Jacuzzi Whirlpool Bath® BP43000 2/05

INSTRUCCIONES IMPORTANTES DE SEGURIDAD

LEA Y SIGA TODAS LAS INSTRUCCIONES

GUARDE ESTAS INSTRUCCIONES

 **PRECAUCION:** EXAMINE, PERIODICAMENTE, INTERRUPTOR DE CIRCUITO CON PÉRDIDA A TIERRA QUE PROTEGE ESTE APARATO DE ACUERDO A LAS INSTRUCCIONES DE FABRICACION.

ADVERTENCIA: RIESGO DE LESIONARSE O AHOGARSE ACCIDENTALMENTE; LOS NIÑOS NO DEBERIAN USAR LA BAÑERA DE HIDROMASAJE SIN LA SUPERVISION DE UN ADULTO.

ADVERTENCIA: PARA EVITAR LESIONARSE, OBRE CON PRUDENCIA CUANDO ENTRE O SALGA DE LA BAÑERA DE HIDROMASAJE.

ADVERTENCIA: RIESGO DE LESIONARSE O AHOGARSE ACCIDENTALMENTE; PARA PREVENIR QUE EL CUERPO Y/O EL CABELLO SE ATOREN NO USE LA BAÑERA DE HIDROMASAJE HASTA QUE TODOS LOS SEGUROS DE SUCCION ESTEN INSTALADOS.

ADVERTENCIA: CUANDO ESTE FUNCIONANDO EL SISTEMA, MANTENGA EL CUERPO Y EL CABELLO A UNA DISTANCIA MÍNIMA DE 6 PULG. (15 CM) DEL MECANISMO DE SUCCION, ESTO PARA EVITAR DAÑO FISICO QUE RESULTE EN EL ENTRAMPAMIENTO DEL CUERPO O DEL CABELLO. SI EL LARGO DEL CABELLO ESTA POR DEBAJO DE LOS HOMBROS DEBERA LLEVARSE RECOGIDO.

ADVERTENCIA: NUNCA INTRODUZCA O DEJE CAER NINGUN OBJETO EN LAS ABERTURAS.

ADVERTENCIA: RIESGO DE DESCARGA ELECTRICA; NO PERMITA QUE LOS APARATOS ELECTRICOS (COMO SECADOR DE CABELLO, LAMPARA, TELEFONO, RADIO O TELEVISION) ESTEN A UNA DISTANCIA DE 60 PULG. (1,5 M) A LA BAÑERA DE HIDROMASAJE.

ADVERTENCIA: RIESGO DE LESIONARSE O AHOGARSE ACCIDENTALMENTE; PARA EVITAR QUEDAR SIN CONOCIMIENTO Y AHOGARSE NO CONSUMA DROGAS O BEBA ALCOHOL ANTES O DURANTE EL USO DE LA BAÑERA DE HIDROMASAJE EQUIPADA CON CALENTADOR,

ADVERTENCIA: RIESGO DE LESION FETAL; LAS MUJERES EMBARAZADAS O CON POSIBILIDAD DE EMBARAZO DEBERIAN CONSULTAR CON UN MEDICO ANTES DE USAR UNA BAÑERA DE HIDROMASAJE EQUIPADA CON CALENTADOR.

ADVERTENCIA: RIESGO DE HIPERTERMIA Y POSIBLE AHOGAMIENTO; NO USE LA BAÑERA DE HIDROMASAJE EQUIPADA CON CALENTADOR INMEDIATAMENTE DESPUES DE HABER EFECTUADO EJERCICIOS INTENSOS.

ADVERTENCIA: RIESGO DE HIPERTERMIA Y POSIBLE AHOGAMIENTO; LA TEMPERATURA DEL AGUA DE MAS DE 104° F (40° C) PUEDE CAUSAR DAÑO A SU SALUD. REVISE Y AJUSTE LA TEMPERATURA DEL AGUA ANTES DE USAR LA BAÑERA.

ADVERTENCIA: RIESGO DE HIPERTERMIA; LAS PERSONAS QUE TOMAN MEDICAMENTOS Y/O TIENEN ANTECEDENTES MEDICOS ADVERSOS, DEBERIAN CONSULTAR CON UN MEDICO ANTES DE USAR LA BAÑERA DE HIDROMASAJE EQUIPADA CON CALENTADOR.

LA UNIDAD SÓLO DEBE CONECTARSE A UN CIRCUITO DE ALIMENTACIÓN PROTEGIDO POR UN INTERRUPTOR DE CIRCUITO(S) PARA FALLAS PUESTO A TIERRA (GFCI), QUE DEBE PROVEER EL INSTALADOR. REVISE EL GFCI EN FORMA RUTINARIA; PARA HACERLO, OPRIMA EL BOTÓN DE PRUEBA Y SE INTERRUMPIRÁ LA ENERGÍA ELÉCTRICA. OPRIMA EL BOTÓN DE REPOSICIÓN PARA RESTAURAR LA ENERGÍA. SI AUN SIGUIENDO ESTAS INSTRUCCIONES EL GFCI NO FUNCIONA CORRECTAMENTE, FLUYE UNA CORRIENTE A TIERRA QUE INDICA LA POSIBILIDAD DE QUE HAYA UNA DESCARGA ELÉCTRICA. NO UTILICE LA UNIDAD EN ESAS CONDICIONES. DESCONECTE LA UNIDAD Y CERCÍOARSE DE QUE UN ELECTRICISTA LICENCIADO CORRIJA LA FALLA ANTES DE USARLA.

PRECAUCIONES

- No active el sistema hidroterapéutico a menos que el nivel del agua llegue 2 pulg. (5 cm) arriba del chorro más alto.
- Nunca deje caer o inserte ningún objeto en las aperturas.
- No use aditivos de baño a base de aceite en la bañera de hidromasaje.
- Para limpiar la bañera de hidromasaje no use sustancias abrasivas que puedan dañar la superficie.
- Para evitar la decoloración del terminado acrílico, cuide que la temperatura del agua no pase de 140° F (60° C)
- Es necesario purgar el sistema hidroterapéutico por lo menos dos veces al mes. Para su conveniencia, hemos desarrollado un sistema de depuración de plomería (Systems Clean™) específicamente para las bañeras de hidromasaje. Para averiguar sobre su disponibilidad llame al teléfono: 1-800-288-4002.
- Dé a la unidad el uso previsto y siga las instrucciones descritas en este manual. Sólo utilice los accesorios recomendados por el fabricante.
- Esta unidad debe conectarse solamente al circuito protegido con un interruptor de pérdida a tierra (GFCI de sus siglas en inglés). Dicho interruptor debería ser provisto por el instalador y ser revisado de manera rutinaria. Para examinar el interruptor GFCI, presione el botón de prueba. El interruptor (GFCI) debería interrumpir el paso de corriente. Luego presione el botón de reinicio. Para entonces, la corriente debe haberse restablecido. Si el interruptor GFCI falla, al operarse de la manera indicada, es porque existe corriente haciendo tierra, indicando una posibilidad de descarga eléctrica. De ser así, no use esta unidad. Desconecte la unidad y encargue el arreglo del problema a un electricista calificado antes de usarlo.
- En la parte externa del motor se encuentra un conector de cables a presión que permite la conexión de un conductor de cobre No. 8AWG (8.4 mm) entre la unidad y el equipo eléctrico y los metales cercanos expuestos, esto, a fin de cumplir con las normas de instalación requeridas.
- Esta unidad se debe molar eléctricamente y debe ser instalada por un contratista licenciado, por el electricista, y por el plomero.
- Para unidades instaladas como parte de la estructura, instale de manera que permita acceso para el mantenimiento.

NOTA: Este es un producto de calidad profesional. Para una instalación apropiada y la satisfacción del usuario, se requiere de un conocimiento de acuerdo a los códigos en las técnicas de construcción, plomería y electricidad. Recomendamos que un contratista calificado efectúe la instalación de todos los productos del Jacuzzi Whirlpool Bath. Nuestra garantía no cubre los problemas que resulten de una instalación inadecuada.



ADDENDUM

Las Instrucciones de la seguridad Cambian

INSTRUCCIONES IMPORTANTES SEGURIDAD LÉA Y SIQUE TODAS LAS INSTRUCCIONES GUARDE ESTAS INSTRUCCIONES

INSTRUCCIONES que PERTENECEN A UN RIESGO DE el FUEGO, DE el CALAMBRE,
O DE la HERIDA A PERSONAS

ADVERTENCIA — CUANDO SE USA ESTA UNIDAD, LAS PRECAUCIONES BÁSICAS SIEMPRE SE DEBEN SEGUIR, INCLUSIVE LO SIGUIENTE:

PELIGRO: PARA REDUCIR EL RIESGO DE LA HERIDA, NO PERMITE QUE NIÑOS UTILICEN ESTA UNIDAD A MENOS QUE ELLOS SEAN SUPERVISADOS DE CERCA SIEMPRE.

ADVERTENCIA — UTILIZA ESTA UNIDAD SOLO PARA SU USO DESTINADO DESCRIBIO COMO EN ESTE MANUAL. NO UTILICE LAS FIJACIONES NO RECOMENDADO POR LOS FABRICANTES.

ADVERTENCIA — NUNCA DEJE CAER O METE CUALQUIER OBJETIVO EN ALGUNA APERTURA.

ADVERTENCIA — NO OPERE ESTA UNIDAD SIN EL GUARDIA SOBRE LA SUCCIÓN QUE QUEDA.

ADVERTENCIA — ESTA UNIDAD DEBE SER CONECTADA SÓLO A UN CIRCUITO DEL SUMINISTRO QUE ES PROTEGIDO POR UN INTERRUPTOR (GFCI) DE CIRCUITO DE DEFECTO DE SUELO. TAL GFCI DEBE SER PROPORCIONADO POR EL INSTALADOR Y DEBE SER PROBADO EN UNA BASE RUTINARIA. PARA PROBAR EL GFCI, EMPUJE EL BOTÓN DE LA PRUEBA. EL GFCI DEBE INTERRUPTIR EL PODER. EMPUJE EL REPONE EL BOTÓN. EL PODER SE DEBE RESTAURAR. SI EL GFCI FALLA DE OPERAR EN ESTA MANERA, EL GFCI ES DEFECTUOSO. SI EL GFCI INTERRUPTIR EL PODER A LA BAÑERA SIN EL BOTÓN DE LA PRUEBA PARA SE EMPUJAR, UNA CORRIENTE DEL SUELO QUE FLUYE, INDICANDO UNA POSIBILIDAD DE UN CALAMBRE. NO UTILICE ESTA BAÑERA DE HYDROMASSAGE. DESCONECTE LA BAÑERA DE HYDROMASSAGE Y TENGA EL PROBLEMA CORREGIDO POR UN REPRESENTANTE CALIFICADO DEL SERVICIO ANTES DE UTILIZAR.

ADVERTENCIA — (UNIDADES DE CONEXIÓN PERMANENTE) ESTAS UNIDADES CUENTAN CON UN TERMINAL VERDE (O UN CONECTOR DE CABLE MARCADO CON "G", "GR", "GROUND" O "GROUNDING") DENTRO DEL COMPARTIMIENTO DE TERMINALES. PARA REDUCIR EL RIESGO DE DESCARGA ELÉCTRICA, CONECTE EL TERMINAL O EL CONECTOR AL TERMINAL DE TIERRA DEL SERVICIO ELÉCTRICO O DEL TABLERO DE ALIMENTACIÓN CON UN CONDUCTOR DEL MISMO TAMAÑO DE LOS CONDUCTORES DEL CIRCUITO QUE SUMINISTRAN ESTE EQUIPO.

OPERAR INSTRUCCIONES

ADVERTENCIA — LA INMERSIÓN PROLONGADA EN EL AGUA CALIENTE PUEDE INDUCIR HIPERTERMIA. LA HIPERTERMIA OCURRE CUANDO LA TEMPERATURA INTERNA DEL CUERPO ALCANZA UN PLANOS VARIOS GRADOS ENCIMA DE LA TEMPERATURA CORPORAL NORMAL DE 98.6°F. LOS SÍNTOMAS DE HIPERTERMIA INCLUYEN EL AUMENTO DE UN EN LA TEMPERATURA INTERNA DEL CUERPO, EL MAREO, EL LETARGO, SOMNOLENCIA Y DESMAYAR. LOS EFECTOS DE HIPERTERMIA INCLUYEN:

- A) EL FRACASO PARA PERCIBIR EL CALOR,
- B) EL FRACASO PARA RECONOCER LA NECESIDAD DE SALIR EL BALNEARIO O LA JACUZZI,
- C) DESCONOCIMIENTO DEL PELIGRO INMINENTE,
- D) EL DAÑO FETAL EN MUJERES ENCINTAS,
- E) LA INCAPACIDAD FÍSICA SALIR EL BALNEARIO O EL JACUZZI, Y
- F) LA INCONSCIENCIA QUE TIENE COMO RESULTADO EL PELIGRO DE AHOGAR.

ADVERTENCIA — EL USO DE ALCOHOL, LAS DROGAS O LA MEDICINA PUEDEN AUMENTAR MUCHO EL RIESGO DE HIPERTERMIA FATAL.

ADVERTENCIA — NO MANIPULA CON CONTROLES USUARIO-OPERADOS NI TALES DISPOSITIVOS.



INSTRUCCIONES INSTRUCCIONES

ADVERTENCIA — LOS PRODUCTOS CUANDO SE USA ELECTRICOS, LAS PRECAUCIONES BÁSICAS SIEMPRE SE DEBEN SEGUIR, INCLUSIVE LO SIGUIENTE:

PELIGRO — EL RIESGO DE CALAMBRE. CONECTA SÓLO A UN CIRCUITO PROTEGIDO POR UN INTERRUPTOR (GFCI) DE CIRCUITO DE DEFECTO DE SUELO.

 **PRECAUCIÓN** — PRUEBA EL INTERRUPTOR DE CIRCUITO DE DEFECTO DE SUELO QUE PROTEGE ESTE APARATO PERIODICAMENTE DE ACUERDO CON LAS INSTRUCCIONES DEL FABRICANTE.

ADVERTENCIA — UTILIZA ESTA UNIDAD SOLO PARA SU USO DESTINADO DESCRIBIO COMO EN ESTE MANUAL. NO UTILICE LAS FIJACIONES NO RECOMENDADO POR LOS FABRICANTES.

ADVERTENCIA — PARA EVITAR LESIONES, TENGA CUIDADO AL ENTRAR Y SALIR DE LA TINA DE HIDROMASAJE.

ADVERTENCIA — MANTENGA EL CUERPO Y EL CABELLO A UNA DISTANCIA MÍNIMA DE 6 PULG. (15 CM) DEL ACCESORIO DE SUCCIÓN MIENTRAS EL SISTEMA DE HIDROMASAJE ESTÉ EN FUNCIONAMIENTO. SI EL LARGO DEL CABELLO EXCEDE LOS HOMBROS, SE LO DEBE SUJETAR CERCA DE LA CABEZA.

ADVERTENCIA — RIESGO DE DESCARGA ELÉCTRICA. NO UTILICE ELECTRODOMÉSTICOS, COMO SECADORES DE CABELLO, LÁMPARAS, TELÉFONOS, RADIOS O TELEVISORES, EN UN RADIO DE 60 PULG. (1,5 M) DE LA TINA DE HIDROMASAJE.

ADVERTENCIA — EL RIESGO DE LA HERIDA ACCIDENTAL O AHOGANDOSE; NO UTILICE LAS DROGAS O EL ALCOHOL ANTES O DURANTE EL USO DE BAÑERA DE HYDROMASSAGE EQUIPADA CON UNA CALENTADORA PARA EVITAR LA INCONSCIENCIA Y AHOGAR POSIBLE.

ADVERTENCIA — RIESGO DE LESIÓN FETAL. LAS MUJERES EMBARAZADAS O QUE PUEDAN ESTARLO DEBEN CONSULTAR A UN MÉDICO ANTES DE UTILIZAR UNA TINA DE HIDROMASAJE CON CALENTADOR.

ADVERTENCIA — RIESGO DE HIPERTERMIA Y POSIBILIDAD DE AHOGARSE. NO UTILICE UNA TINA DE HIDROMASAJE CON CALENTADOR INMEDIATAMENTE DESPUÉS DE HACER EJERCICIOS INTENSOS.

ADVERTENCIA — RIESGO DE HIPERTERMIA Y POSIBILIDAD DE AHOGARSE. LA TEMPERATURA DEL AGUA QUE SUPERE LOS 104°F (40°C) PUEDE SER PERJUDICIAL PARA LA SALUD. CONTROLE Y REGULE LA TEMPERATURA DEL AGUA ANTES DE UTILIZAR LA TINA.

ADVERTENCIA — RIESGO DE HIPERTERMIA. LAS PERSONAS QUE TOMEN MEDICAMENTOS O QUE TENGAN UNA HISTORIA CLÍNICA PROBLEMÁTICA DEBEN CONSULTAR A UN MÉDICO ANTES DE UTILIZAR UNA TINA DE HIDROMASAJE CON CALENTADOR.

PARA INCORPORADO Y LAS UNIDADES DE GOTA-EN, INSTALAN PARA PERMITIR EL ACCESO PARA ATENDER A.

ESTA UNIDAD SE DEBE MOLER ELÉCTRICAMENTE Y DEBE SER INSTALADA POR UN CONTRATISTA LICENCIADO, POR EL ELECTRICISTA, Y POR EL PLOMERO.

LAS MATERIAS DEL EDIFICIO Y EL ALAMBRADO SE DEBEN DIRIGIR LEJOS DE LA MOTRIZ/BOMBA O FUELLE U OTRO CALOR QUE PRODUCE LOS COMPONENTES DE ESTA UNIDAD.

EL MOTOR Y EL CALENTADOR TIENEN EN SU PARTE EXTERIOR UN CONECTOR DE CABLE A PRESIÓN PARA PERMITIR LA CONEXIÓN DE UN CONDUCTOR DE UNIÓN SÓLIDO DE COBRE #8 AWG (8,4 MM) ENTRE ESTA UNIDAD Y EL RESTO DE LOS EQUIPOS ELÉCTRICOS Y METALES EXPUESTOS CERCANOS, A FIN DE CUMPLIR CON LAS NORMAS LOCALES.

PRECAUCIONES

- Ponga en funcionamiento el sistema de hidromasaje sólo cuando la tina tenga un nivel de agua que supere en 1 pulga (2,5 cm) como mínimo a la boquilla de aire más alta.
- No llene en exceso la tina para evitar que el panel de control quede sumergido.
- No utilice aditivos para baño a base de aceites en la tina de hidromasaje.
- No utilice sustancias abrasivas para limpiar la tina, ya que pueden arruinar la superficie.
- Para evitar la decoloración del acabado acrílico, no llene la tina con agua a más de 140°F (60°C).

NOTA: Este producto debe ser instalado por profesionales. Es necesario contar con conocimientos de técnicas de construcción, instalaciones eléctricas y plomería de acuerdo con las normas para lograr una instalación adecuada y la satisfacción del usuario. Recomendamos que la instalación de todos los productos Jacuzzi Whirlpool Bath[®] esté a cargo de un contratista matriculado. Nuestra garantía no cubre problemas relacionados con instalaciones defectuosas.

LAS ESPECIFICACIONES DE LOS PRODUCTOS ESTÁN SUJETAS A CAMBIOS SIN AVISO.

UTILICE LAS INSTRUCCIONES DE INSTALACIÓN ENTREGADAS CON EL PRODUCTO.

La empresa ha obtenido los listados de los códigos aplicables (normas) que suelen estar disponibles a nivel nacional para productos de este tipo. Es responsabilidad del instalador o propietario determinar el cumplimiento de las normas locales específicas antes de instalar el producto. La empresa no realiza manifestaciones ni ofrece garantías con respecto al cumplimiento de ninguna norma, ni será responsable de dicho cumplimiento.



TABLA DE CONTENIDO

Especificaciones _____	1-2
Diagramas de instalaciones _____	3
Instrucciones de instalación _____	4-8
Estructura y soporte _____	4
Faldón _____	5
Acceso de servicio _____	6
Conexiones eléctricas _____	7
Información sobre el desagüe _____	8
Funcionamiento _____	9-10
Mantenimiento _____	11
Guía general de reparación de averías en las bañeras de hidromasaje _____	12
Servicios autorizados _____	14
Garantía _____	15-16

Conserve estas instrucciones para uso futuro.

Registro del propietario

Fecha de compra _____

Comprado a _____

Instalado por _____

Número de serie _____

Número de modelo _____

NOTA: Para obtener referencia de un agente de servicio en su área llame al: 800-288-4002. Usted puede visitar también nuestro sitio Web en <http://www.jacuzzi.com/>. Para encontrar la lista de agente de servicio, haga clic en For The Trade.

Luego haga clic en Electrical Mechanical Service Agents.

Dependiendo del problema haga clic en Electrical/Mechanical Repairs, o en Finish, Surface o en Shell-Related Problems o en Repair Parts or Accessories para obtener una lista de agentes autorizados, de los contratistas, o de los distribuidores.

ESPECIFICACIONES

IMPORTANTE: Lea las instrucciones antes de iniciar la instalación.

Las bañeras de hidromasaje Whirlpool se entregan listas para instalarse y completamente equipadas con motor, bomba, accesorios de plomería y mecanismos necesarios para el hidromasaje. La instalación del equipo de desagüe y rebosadero es opcional.

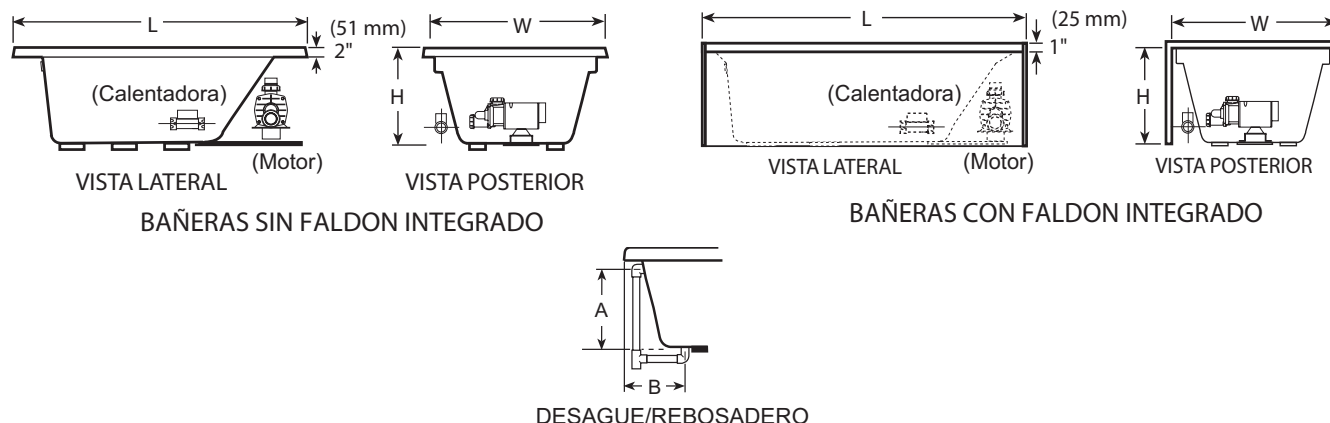
Saque la bañera de su caja; consérvela hasta haber revisado completamente el producto. **Nunca levante la bañera sujetándola por los accesorios de plomería, levántela por el casco.**

Inspeccione el casco de la bañera en cuanto la reciba. En caso de que detecte algún daño o desperfecto en el terminado, no la instale. La garantía no cubre daños o desperfectos reclamados después de la instalación. La responsabilidad de Jacuzzi Whirlpool Bath, por daños de embarque, termina al entregar los productos en buen estado al distribuidor. Presente sus reclamos por daños al distribuidor. Para mayor información sobre la cobertura de la garantía, consulte la garantía publicada en el empaque del producto.

El funcionamiento de las bañeras y el buen estado de las conexiones han sido probados en fábrica antes del embarque.

NOTA: Antes de la instalación, llene la bañera con agua y enciéndala para verificar que no presenta fugas provocadas durante el embarque o por mal manejo. Jacuzzi Whirlpool Bath® no se hace responsable por desperfectos que pudieran haberse descubierto, reparado o evitado de haberse seguido este procedimiento de inspección y verificación.

BAÑERAS RECTANGULARES



ESPECIFICACIONES (Rectangular)

MODELO	MEDIDAS	MEDIDAS DEL DESAGÜE/REBOSADERO	CORTE	CARGA TOTAL SOBRE EL PISO	CAPACIDAD	PESO	FALDÓN Y MONTAJE	CALENTADOR
AMIGA™ PLUS	72" (1829 mm) L* 36" (914 mm) W 22-3/4" (533 mm) H	16-7/8" (429 mm) A 14" (356 mm) B	70" x 34"	772 lb (351 kg)/ 43 lb/pies ² (210 kg/m ²)	50 U.S. gal (186 litros)	105 lb (48 kg)	Opcional, marco en "U"	La fábrica instaló (\$750000 juego para el calentador)
CETRA® 536 PLUS CON FALDÓN INTEGRADO	60" (1524 mm) L* 36" (914 mm) W 21-1/4" (553 mm) H	18-1/2" (470 mm) A 9" (229 mm) B	NA	742 lb (337 kg)/ 50 lb/pies ² (244 kg/m ²)	48 U.S. gal (181 litros)	92 lb (42 kg)	Integrado	La fábrica instaló (\$750000 juego para el calentador)
SIGNA® 5 PLUS	60" (1524 mm) L* 42" (1067 mm) W 22" (559 mm) H	17-1/2" (445 mm) A 12-1/2" (318 mm) B	58" x 40"	708 lb (321 kg)/ 40 lb/pies ² (195 kg/m ²)	42 U.S. gal (159 litros)	108 lb (56 kg)	Opcional, marco en "U"	La fábrica instaló (\$750000 juego para el calentador)
SIGNA® 6 PLUS	72" (1829 mm) L* 42" (1067 mm) W 22" (559 mm) H	16-7/8" (429 mm) A 14" (356 mm) B	70" x 40"	826 lb (375 kg)/ 39 lb/pies ² (190 kg/m ²)	55 U.S. gal (208 litros)	118 lb (54 kg)	No Disponible	La fábrica instaló (\$750000 juego para el calentador)

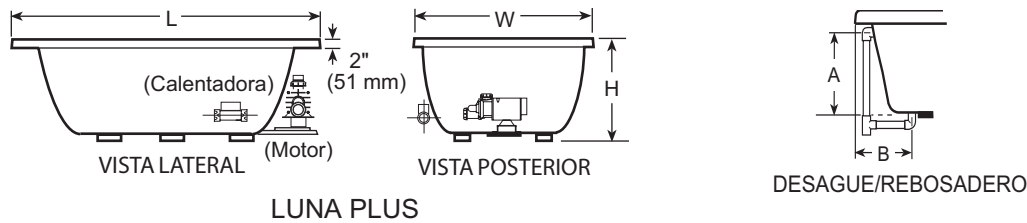
*Añada 1/4 pulg. a esta medida H instalar en nichos con tres muros.

NOTA: Las dimensiones en general son nominales con una tolerancia de +0 y -1/4 pulg. (+0 y -6.3 mm).

PARA TODAS LAS UNIDADES: Requisitos eléctricos del servicio: Todas requieren un protector de circuito independiente tipo GFCI RapidHeat™ Calentamiento rápido: 120 VAC, 15 AMP, 60 Hz. Protector de circuito independiente tipo GFCI.

Motor/Bomba: 120 VAC, 15 AMP, 60 Hz Protector de circuito independiente tipo GFCI.

BAÑERAS DE OVALADAS



LUNA PLUS

ESPECIFICACIONES (Ovaladas)

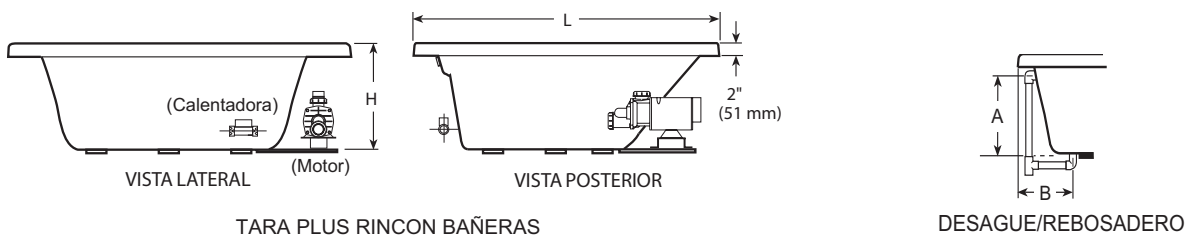
MODELO	MEDIDAS	MEDIDAS DEL DESAGÜE/REBOSADERO	CORTE	CARGA TOTAL SOBRE EL PISO	CAPACIDAD	PESO	FALDÓN Y MONTAJE	CALENTADOR
LUNA™ PLUS	72" (1829 mm) L 42" (1118 mm) W 23" (584 mm) H	19-1/8" (486 mm) A 11" (279 mm) B	Plantilla Poveida P/N P819000	1176 lb (535 kg)/ 56 lb/pies ² (273 kg/m ²)	96 U.S. gal (364 litros)	126 lb (57 kg)	No Disponible	La fábrica instaló (S750000 juego para el calentador)

NOTA: Las dimensiones en general son nominales con una tolerancia de +0 y -1/4 pulg. (+0 y -6.3 mm).

PARA TODAS LAS UNIDADES: Requisitos eléctricos del servicio: Todas requieren un protector de circuito independiente tipo GFCI RapidHeat™ Calentamiento rápido: 120 VAC, 15 AMP, 60 Hz. Protector de circuito independiente tipo GFCI. Motor/Bomba: 120 VAC, 15 AMP, 60 Hz Protector de circuito independiente tipo GFCI.

ESPAÑOL

BAÑERAS DE ESQUINA



TARA PLUS RINCON BAÑERAS

ESPECIFICACIONES (de esquina)

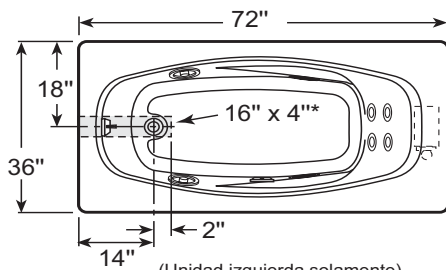
MODELO	MEDIDAS	MEDIDAS DEL DESAGÜE/REBOSADERO	CORTE	CARGA TOTAL SOBRE EL PISO	CAPACIDAD	PESO	FALDÓN Y MONTAJE	CALENTADOR
TARA™ PLUS	60" (1524 mm) L 60" (1524 mm) L 20-3/4" (527 mm) H	16" (406 mm) A 12-3/8" (314 mm) B	Vea Pagina 3	984 lb (447 k/g)/ 39 lb/pies ² (190 kg/m ²)	74 U.S. gal (280 litros)	118 lb (54 kg)	Opcional	La fábrica instaló (S750000 juego para el calentador)

NOTA: Las dimensiones en general son nominales con una tolerancia de +0 y -1/4 pulg. (+0 y -6.3 mm).

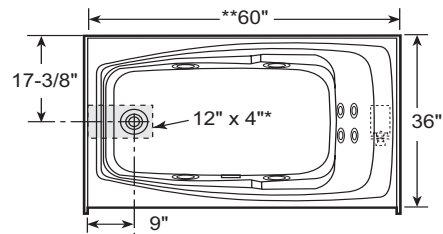
PARA TODAS LAS UNIDADES: Requisitos eléctricos del servicio: Todas requieren un protector de circuito independiente tipo GFCI RapidHeat™ Calentamiento rápido: 120 VAC, 15 AMP, 60 Hz. Protector de circuito independiente tipo GFCI. Motor/Bomba: 120 VAC, 15 AMP, 60 Hz Protector de circuito independiente tipo GFCI.

DIAGRAMAS EN PLANTA DE INSTALACIONES (RECTANGULAR)

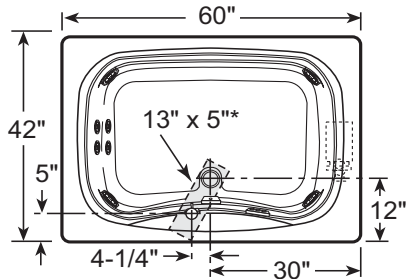
- NOTA: 1. Las instalaciones de estas tinas van del lado izquierdo a menos que se especifique lo contrario. En las tinas derechas van del lado contrario.
2. Algunas unidades se han proporcionado con plantillas de corte incluidas en el cartón del envío.
Vea información de CORTE para cada modle en la página 1 y 2.
3. LAS DIMENSIONES EN GENERAL SON NOMINALES CON UNA TOLERANCIA DE +0 Y -1/4 PULG.
4. *Las medidas que aparecen adentro de la unidad representan el corte necesario en el piso para la instalación de desagüe/rebosadero.
5. Todas las medidas vienen en pulgadas; para convertirlas a milímetros, multiplique por 25.4.



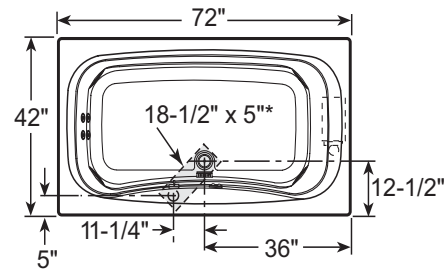
(Unidad izquierda solamente)
AMIGA PLUS



(Unidad izquierda representada.
La unidad derecha es una imagen proyectada)
CETRA 536 PLUS CON FALDON



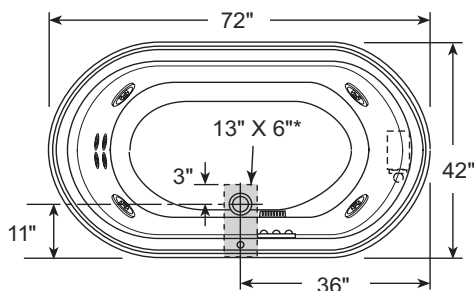
(Unidad derecha solamente)
SIGNA 5 PLUS



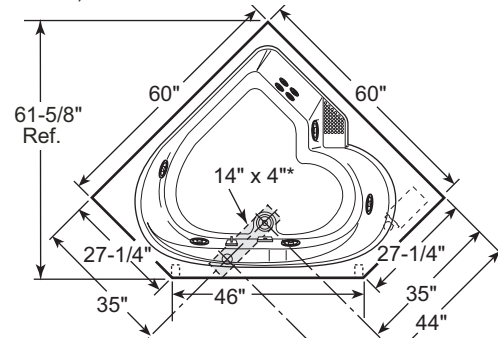
(Unidad derecha solamente)
SIGNA 6 PLUS

**Añada 1/4 pulg. a esta medida al instalar las unidades de 3 muros.

DIAGRAMAS EN PLANTA DE INSTALACIONES (OVALADAS Y ESQUINA)

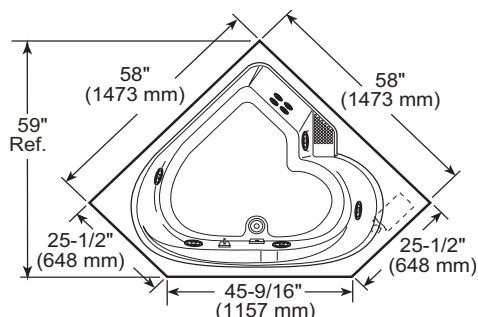


(Unidad derecha solamente)
LUNA PLUS



2" x 4" Madera
(Unidad derecha solamente)
TARA PLUS

DIAGRAMA EN PLANTA DE TINAS DE ESQUINA

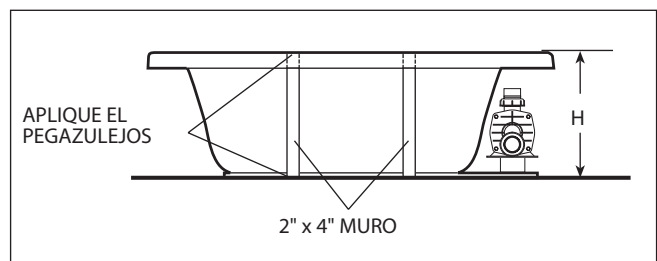


**CORTE
TARA PLUS**

Tinas de Esquina con Faldón

Si se usa faldón en la tina de esquina, es necesario contar con mayor soporte en la parte frontal de la unidad. Mida la altura del piso a la parte inferior del borde de la tina. Corte dos muros de 2 pulg. x 4 pulg., aplique el pegazulejos en ambos extremos e instale (Véase el Diagrama de Instalación).

SOPORTE PARA TINAS DE ESQUINA



INSTALACION

Estructura y soporte

La instalación del desagüe y del rebosadero se extiende por debajo de la parte inferior de la bañera. Cabe señalar que para esto se requiere hacer un corte en el piso.

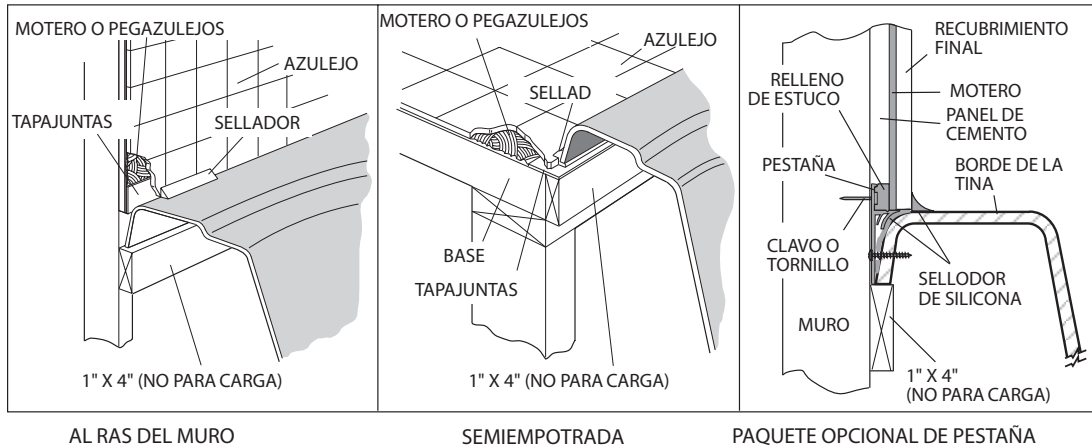
La estructura del piso debajo de la bañera debe poder soportar el peso total de la bañera, el agua, y el ocupante. Consulte el cuadro correspondiente al peso total de su modelo. La unidad tiene que estar soportada por la parte inferior de la bañera y **no** del borde o pestaña de la misma. Si el subsuelo es plano y posee una superficie continua ninguna otra preparación es necesaria. Entonces, usted puede continuar con la instalación de la bañera. En cambio, si el subsuelo no está nivelado, usted **TIENE QUE** nivelar toda la superficie antes de instalar la bañera. El uso de materiales de relleno o que permiten una instalación a nivel, son permitidos siempre y cuando el método que se use garantice una bañera nivelada y debidamente sujeta por debajo. Los materiales que se pueden utilizar son: un compuesto de nivelación para piso, mortero, yeso de construcción, o espuma de mínima expansión estructural con una densidad de un mínimo de 5 lbs/pies cúbicos; sin embargo el baño debe mantenerse nivelado para garantizar una apropiada descarga y que todos los pies de espuma hagan total contacto con la materia que nivela. Ambos lados de la junta o empalmes del subsuelo deben estar nivelados. **Al fijar la bañera al muro, utilizando pestañas, use planchas de relleno para salvar cualquier espacio entre las pestañas de la bañera y el muro.**

El borde de la bañera no está hecho para soportar peso. Si el material de recubrimiento va a estar en contacto con la bañera o sobrepuesto, el peso adicional no debe recaer sobre ella.

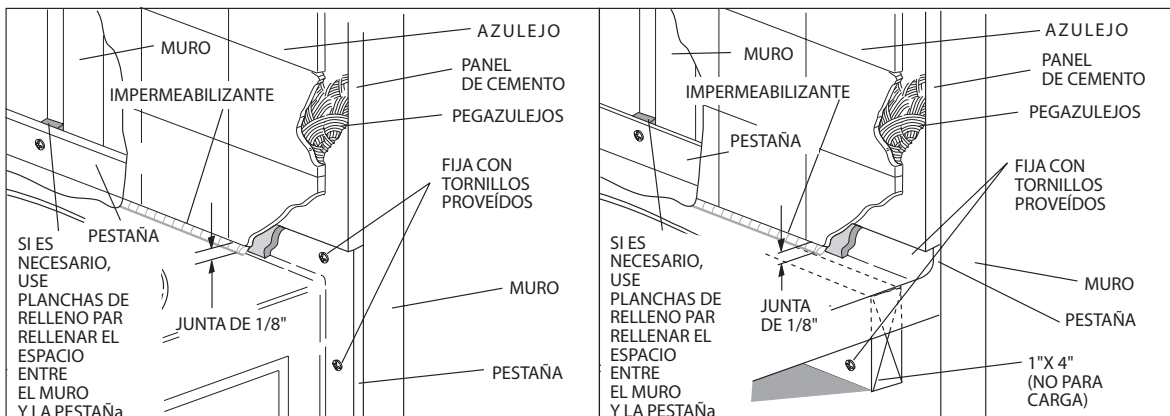
El plástico protector debe permanecer dentro de la bañera durante la instalación. Antes de la instalación remueva el plástico, inspeccione que la bañera no tenga daños o defectos, coloque nuevamente el plástico ya que, éste protege la superficie de daños ocasionados por zapatos, herramienta, etc. Finalmente retírelo al completar la instalación y hacer la limpieza final.

Importante: Si se ha de utilizar un faldón, éste deberá instalarse cuando se esté instalando la unidad. - Consulte las instrucciones de instalación del faldón. Cuando se haya completado toda la instalación, instale las partes opcionales de las vestiduras.

INSTALACIONES TIPICAS



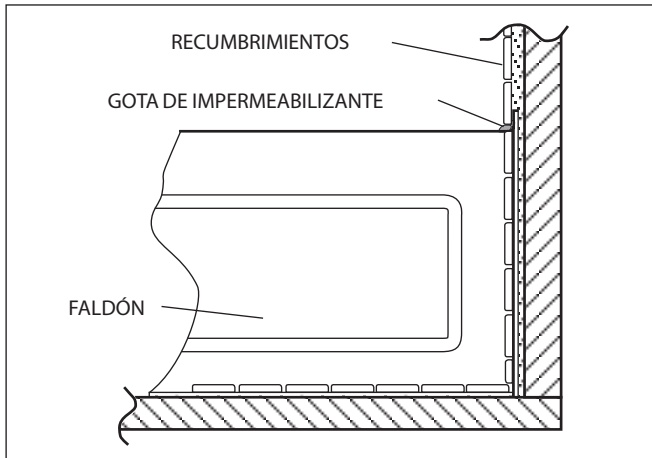
DETALLE DEL MONTAJE DE PESTAÑA TIPICO



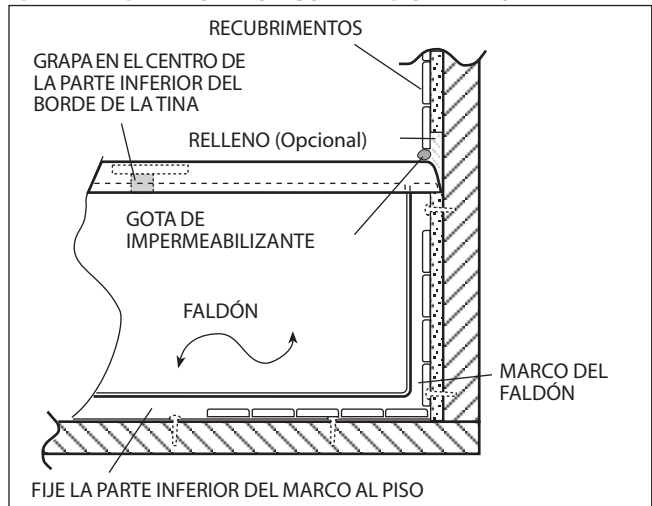
INSTALACION

FALDÓN

DETALLE DEL MONTAJE
CON FALDÓN INTEGRADO



DETALLE DEL MONTAJE CON FALDÓN EN "U"



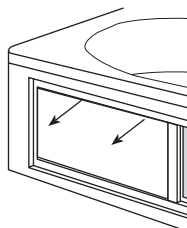
ESPAÑOL

Entrepaño móvil de falda

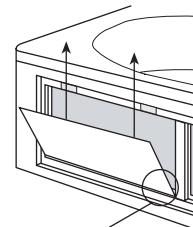
Para quitar entrepaño, asir la cima de entrepaño de acceso y tirar liberar hacia afuera Velcro™. Entonces tire el acceso entrepaño para liberar hacia arriba teniendo clips.

Para volver a instalar, comprometer teniendo clips en la falda y entonces entrepaño de empujón delantero para contratar de nuevo velcro™.

TIRE HACIA AFUERA
DE CIMA PARA
LIBERAR VELCRO™



TIRE LIBERAR
HACIA ARRIBA
CLIPES



CONSEGUIR
ACCESO A
ENTREPAÑO

FALDON



INSTALACION

Acceso para servicio

En el caso de instalaciones parcial o totalmente empotradas, deje un acceso a las conexiones. Es responsabilidad del instalador dejar espacio suficiente para el registro. Las medidas mínimas recomendables para el registro de la tina se muestran en la ilustración que lleva el nombre de "Acceso de servicio".

Provee área adecuada al rededor de la tina para circulación de aire para enfriamiento del motor y para proveir aire suficiente a los chorros. No ponga aislamiento en este área o al rededor del motor.

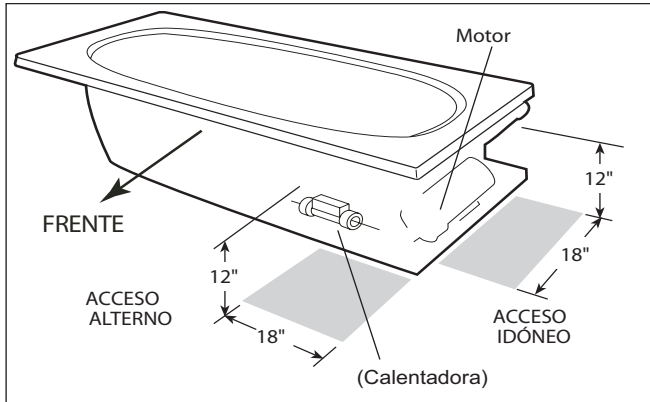
Acceso opcional de servicio de RapidHeat™

Tinas de Comfort Plus vienen con una fábrica calentadora instalada de RapidHeat™ y usted pueden considerar un acceso adicional del servicio.

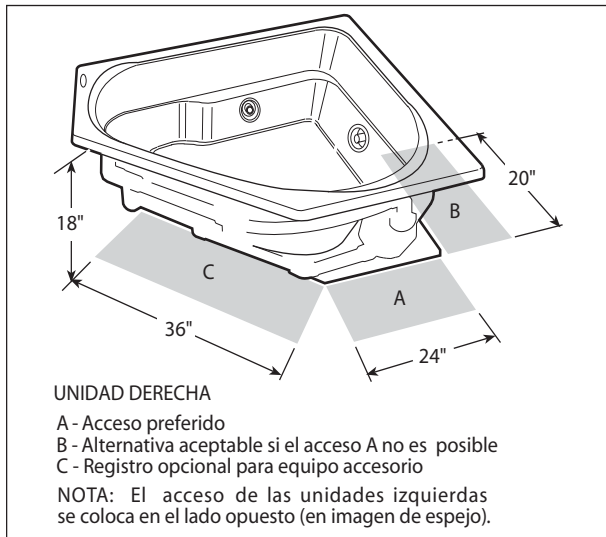
Si el acceso de servicio no se ha proporcionado, es responsabilidad de los propietarios retirar la bañera y proporcionar el acceso requerido, para permitir la reparación necesaria.

ESPAÑOL

REGISTROS (SIN FALDON)



ACCESO PARA SERVICIO (BAÑERAS DE ESQUINA SIN FALDON)



Acceso de servicio (bañera con faldón)

Se puede colocar un faldón opcional a lo largo de la bañera para cubrir las instalaciones sobre el nivel del piso, y usarlo también como acceso para dar servicio a las instalaciones. Para poder retirar el faldón, deje un espacio de por lo menos 8 pulgadas (203 mm) con respecto a la bañera.

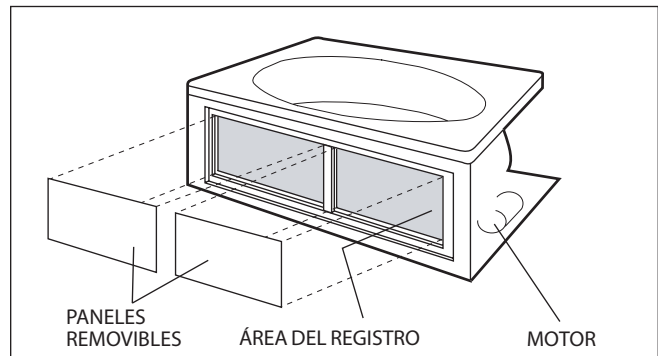
El diseño del faldón permite colocarlo al ras del suelo cubriendo hasta 1-1/4 pulg. (32 mm) de la orilla de los azulejos, el linóleo u otros recubrimientos utilizados en el piso.

El faldón opcional incluye instrucciones de instalación más detalladas.

Acceso de servicio (bañera con faldón integrado)

Se tiene acceso de servicio a las instalaciones por los paneles removibles del faldón.

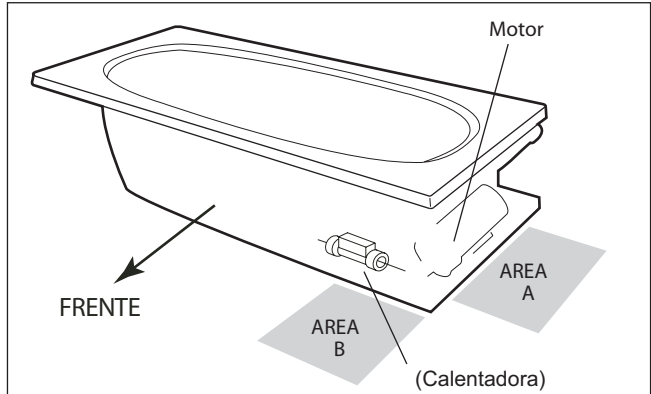
ACCESOPARA SERVICIO (CON FALDÓN INTEGRADO)



En algunos casos, puede que no se haya proporcionado acceso debido al diseño de la tina y teniendo completo entendimiento de que en este caso, pueda que sea necesario retirar la unidad para obtener servicio.

Si así fuera el caso, no será posible diagnosticar un problema sin tener completo acceso al sistema de plomería. Esto requiere remover la unidad completa. A pesar de que esta práctica no es implementada comunmente, es un método aceptable.

ACCESO PARA SERVICIO



En algunos casos el acceso puede haber proveído en el Area A, pero el servicio es requerido en el Area B, lo que requiere que la unidad sea removida para obtener servicio y luego ser reinstalada.

Si no se ha proporcionado un acceso para obtener servicio, es la responsabilidad del dueño de la casa el remover la tina y proporcionar el acceso requerido, en caso de necesitarse reparación de la unidad.

INSTALACION

Conexiones eléctricas

Dos separado 120 VAC, 15 circuitos del AMPERIO, que deben ser protegidos por un Interruptor (GFCI) de Circuito de Defecto de Suelo, son requeridos. Instale salidas dúplex al studwall debajo de la bañera, por lo menos 4 pulgadas encima del piso. Las salidas dúplex no se proporcionan. Un circuito es para el bomba/motor y el otro es para la calentadora de RapidHeat™.

Instale un separado 120 VAC, 15 AMPERIO dedicado circuito con la protección de GFCI. Con un #8 alambre sólido de cobre, vincule la calentadora a la casa entrepaño o bono eléctrico local aprobado. Una oreja que vincula se proporciona en la calentadora.

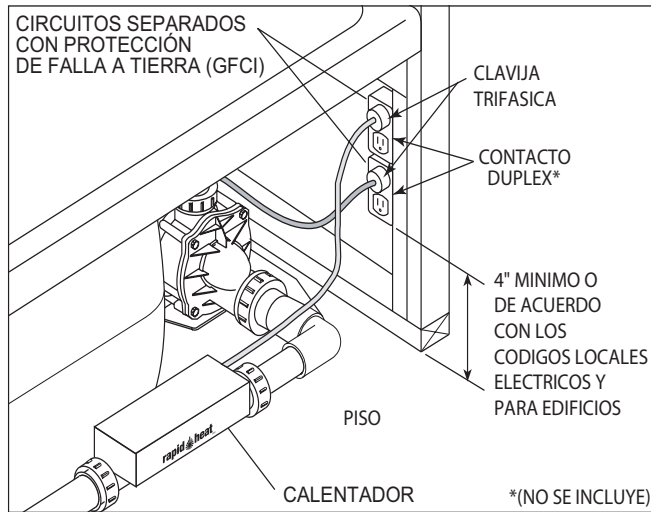
En compañía nueva inicial y antes de cada uso después con poder EN, empuja el botón de la prueba de GFCI. El reponer el botón debe pinchar fuera. Empuje este botón en reponer. Si el interruptor falla de operar en esta manera, hay una corriente del suelo que fluye o un funcionamiento defectuoso de dispositivo, indicando la posibilidad del golpe eléctrico. Gire lejos poder y no utilice el baño hasta que la fuente del problema se haya identificado y ha sido corregida.

PELIGRO: RIESGO DE DESCARGA ELECTRICA. Conecte la unidad solamente a un circuito protegido con un GFCI.

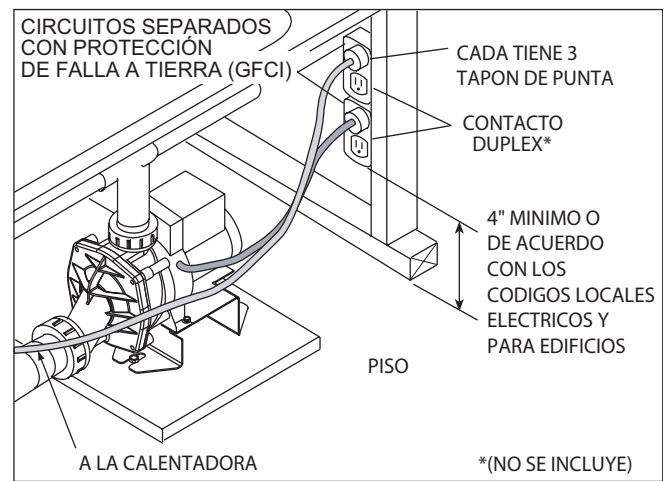
PRECAUCION: El motor o la bomba pueden sufrir fugas y daños permanentes si se operan sin agua suficiente en la bañera. Antes de conectar la energía eléctrica a la instalación, para evitar que se dañe la bomba, asegúrese de que el interruptor esté en la posición "OFF".

ESPAÑOL

CONEXIÓN ELÉCTRICA RAPIDHEAT



CONEXIÓN ELÉCTRICA (PARA TINES DE ESQUINA)



INSTALACION

Información sobre el desagüe

Debe instalarse una unidad de desagüe/rebosadero en la bañera (se vende por separado), verificar que no presente fugas y que esté conectado al sistema sanitario de la casa. Después de abrir la caja de embalaje, verifique que no hay daños y que el acabado es correcto. Observe que el juego de pestaña, el filtro, la placa protectora de rebose y los tornillos de la placa de la unidad de desagüe /rebosadero del Jacuzzi Whirlpool Bath® vienen en un paquete por separado para proteger el acabado. Siga las instrucciones de instalación incluidas en su unidad de desagüe/rebosadero. Después de haberse instalado todo el desagüe, revise si éste está funcionando adecuadamente. Si la unidad no drena adecuadamente, rectifique esta condición antes de proceder con la instalación. Jacuzzi Whirlpool Bath® no es responsable por gastos de remoción o reinstalación de las bañeras.

NOTA: Es responsabilidad del instalador que las conexiones no presenten fugas. La garantía de Jacuzzi Whirlpool Bath® de este producto no cubre fugas en el desagüe.

Plomería

La bomba, las boquillas del chorro y los dispositivos de succión para el sistema hidroterapéutico se aploman en la fábrica en tubería de PVC con clasificación 40.

Todos los productos Jacuzzi Whirlpool Bath® se prueban en la fábrica antes de embarcarse para verificar que funcionen correctamente y que las conexiones no tengan fugas. Si detecta fugas, consulte su concesionario de Jacuzzi Whirlpool Bath. No instale la unidad.

Suministro de agua

Consulte las autoridades locales con respecto a los requisitos de plomería en su local.

IMPORTANTE: Es responsabilidad del instalador colocar correctamente la plomería del surtidor de llenado y cumplir con las normas correspondientes. Jacuzzi Whirlpool Bath® no garantiza las conexiones del suministro de agua, de la tubería, de los sistemas de llenado o de desagüe. Tampoco es responsable de los daños sufridos por la bañera durante la instalación.



PRECAUCION: Para que la bañera no sufra daños durante los trabajos de soldadura, coloque una barrera protectora anti-inflamable.

Limpieza después de la instalación

Para evitar que la superficie de la bañera se raye o pierda brillo, no use limpiadores abrasivos, sino detergentes líquidos suaves.

Retire los residuos de yeso con una pieza de madera o plástico. Las herramientas de metal rayan la superficie. Las manchas producidas por el yeso o el mortero pueden eliminarse frotando suavemente la superficie con un trozo de tela o una esponja humedecida con detergente.

La pintura, alquitrán u otra mancha difícil puede ser removida con trementina, diluyente o alcohol isopropílico.

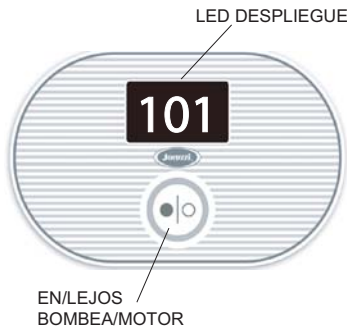
Las ralladuras menores que no penetran el color acabado pueden ser removidas con una lija fina No. 600 seca/húmeda. Usted puede restaurar el acabado brillante en la superficie de acrílico de la bañera con un compuesto especial denominado "Meguiar's # 10 Mirror Glaze". Si este producto no está disponible en el mercado, use un compuesto de frotado para automóviles seguida de una cera en pasta también para automóviles.

Será necesario volver a aplicar el terminado a la bañera si las ralladuras y estrías son tan profundas que penetran la superficie acrílica. Solicite a su agente, distribuidor de Jacuzzi Whirlpool Bath, un folleto de instrucciones.

OPERACIÓN

NOTA: Estas instrucciones se aplican a todos los productos para baño fabricados por Jacuzzi Whirlpool Bath. No todas las características descritas en el folleto de instrucciones se aplican a todas las tinas.

Todas las bañeras fabricadas por Jacuzzi Whirlpool Bath® están diseñadas para "llenarse y vaciarse," lo que significa que la bañera debe vaciarse después de usarse y que la siguiente persona que la utilice deberá llenarla con agua limpia. Esta es una medida de higiene, ya que estas bañeras no están diseñadas para estar llenas de agua constantemente como una piscina o spas. Si usted quiere una unidad diseñada para mantener continuamente el agua, póngase en contacto con su distribuidor de Jacuzzi Whirlpool Bath® para conocer los modelos disponibles en el mercado de la línea Whirlpool.



Controle Entrepaño Comfort Plus No Light System

El Comfort Plus tablero de control, localizado en el baño, le permite controlar la bomba y observar la temperatura de agua mientras en el baño. Durante la operación los despliegues de sistema riegan tener en cuenta de temperatura una temperatura aproximada llena. El sistema (bomba, la calentadora, y el despliegue) apaga automáticamente después de 30 minutos de la operación. Para volver a encender para apretar simplemente el botón de On/Off otra vez.

PRECAUCION: Los sensores de la temperatura y valores son aproximados y pueden variar. Utilice el cuidado al entrar calentó agua.

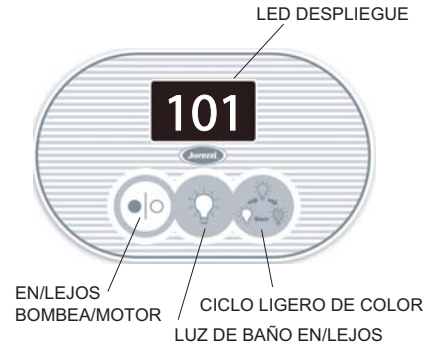
ON/OFF Bombea/Motor

Presionar este botón para prender la bomba/motor. Presionar otra vez para apagar la bomba/motor.

Despliegue LED

El Comfort Plus despliegues de temperatura de agua de tablero de control cuando el nivel del agua cubre el sensor interno de agua incluso si el Comfort Plus With Light System no sean prendidos. Esta característica se diseña para dar una indicación de la temperatura incluso si el sistema de remolino no se utilice.

Apretar y teniendo el botón de On/Off por tres (3) segundos demuestra un "tiempo que queda" la cuenta hacia atrás de minuto. Después que demostrar el "tiempo que queda" la cuenta hacia atrás por 30 segundos, la lectura de salida vuelve espalda al despliegue de la temperatura.



Controle Entrepaño Comfort Plus With Light System

El Comfort Plus With Light System tablero de control, localizado en el baño, le permite controlar la bomba, observar la temperatura de agua, y controlar la Chromoterapia que enciende sistema mientras en el baño. Durante la operación los despliegues de sistema riegan tener en cuenta de temperatura una temperatura aproximada llena. El sistema de la iluminación de la Chromoterapia controla las 2 lámparas de la Chromoterapia del canal donde usted puede prender la iluminación del baño en blanco, un color de la elección, o de un flujo continuo por todo coloran. El sistema (bomba, la calentadora, y el despliegue) apaga automáticamente después de 30 minutos de la operación, el sistema de iluminación de Chromoterapia tiene un 4 tiempo muerto de lámpara de hora. Para volver a encender el sistema (bomba, la calentadora, y el despliegue) aprieta simplemente el botón de On/Off otra vez.

PRECAUCION: Los sensores de la temperatura y valores son aproximados y pueden variar. Utilice el cuidado al entrar calentó agua.

ON/OFF Bombea/Motor

Presionar este botón para prender la bomba/motor. Presionar otra vez para apagar la bomba/motor.

Luz de la Bañera ON/OFF

Presionar este botón para prender la luz (luces) de la bañera. La luz (luces) vendrá A demostrar el Blanco coloró la luz. Presionar otra vez para apagar la luz (luces). (Utilice el "Ciclo de Luz de Color" el botón para prender las luces del color.)

Ciclo de Luz de Color

Presionar este boton para activar las luces de color con la luz "favorite" (inicialmente es azul). Presionar este botón otra vez dará comienzo al ciclo de la luz (luces) por cada uno de los colores disponibles. Esto continuará hasta que el botón de Ciclo de Luces de Color es oprimido otra vez, lo cual detiene el ciclo de luces en el color presente. Presione el botón una vez mas y usted empezará el Ciclo de Luces de Color otra vez.

Para crear un nuevo color "favorite": Deje que las luces cambien al nuevo color "favorite". Pare el ciclo en ese color. Oprima el botón por tres segundos (la luz entonces oscilara para confirmar el nuevo color "favorite").

Despliegue LED

El Comfort Plus despliegues de temperatura de agua de tablero de control cuando el nivel del agua cubre el sensor interno de agua incluso si el Comfort Plus With Light System no sean prendidos. Esta característica se diseña para dar una indicación de la temperatura incluso si el sistema de remolino no se utilice.

Apretar y teniendo el botón de On/Off por tres (3) segundos demuestra un "tiempo que queda" la cuenta hacia atrás de minuto. Después que demostrar el "tiempo que queda" la cuenta hacia atrás por 30 segundos, la lectura de salida vuelve espalda al despliegue de la temperatura.

Cómo controlar el sistema de hidromasaje

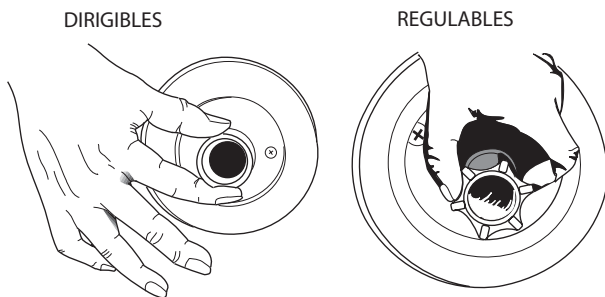
El funcionamiento del sistema de hidromasaje de la bañera está determinado por tres factores: dirección del flujo, fuerza del agua y fuerza del aire. Todas las bañeras fabricadas por Jacuzzi Whirlpool Bath® están equipadas con chorros regulables PowerPro®, que pueden ajustarse con respecto a estos tres factores. Algunas bañeras cuentan con chorros regulables sólo en cuanto a dirección y flujo del aire.

Instrucción: Para cambiar la dirección del flujo del agua, haga girar la boquilla del chorro hacia el ángulo deseado. Los chorros pueden dirigirse en forma independiente hacia cualquier parte del cuerpo y también pueden regularse para que apunten en la misma dirección (hacia la izquierda o hacia la derecha) a fin de mover el agua en forma circular para crear un efecto de hidromasaje.

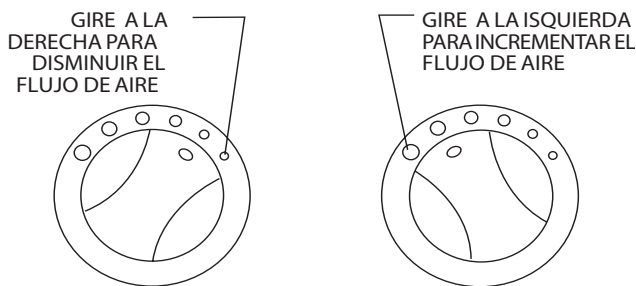
Fuerza del agua: Los chorros regulables de alto volumen pueden ajustarse para controlar la fuerza del agua que cae a la bañera. Para incrementar la fuerza haga girar a la izquierda (en sentido contrario de las agujas del reloj) los controles de los chorros; para reducirla, hágalos girar a la derecha en sentido de las agujas del reloj). **Nunca active el sistema de hidromasaje si los chorros están cerrados.**

Fuerza del aire: La bañera tiene dos manijas que sirven como controles del sistema de inducción de aire. La intensidad del hidromasaje depende de la cantidad de aire que se induzca en el agua. A medida que aumenta la cantidad de aire, se incrementa la fuerza del hidromasaje. Para lograr la máxima inducción de aire, haga girar los controles a la izquierda (en sentido contrario de las agujas del reloj), hacia los círculos más grandes. Para disminuir las burbujas de aire, reduzca la inducción de agua haciendo girar los controles hacia la derecha (en sentido de las agujas del reloj). Cuando los controles se ajustan en los círculos más pequeños, sólo circula agua en la bañera.

CHORROS



CONTROLES PARA INDUCCIÓN DE AGUA



RapidHeat™

Funcionamiento de RapidHeat™

Una vez que el calentador esté instalado y la bomba de circulación de agua esté activada, el funcionamiento del calentador será completamente automático. El calentador ayudará a mantener la temperatura del agua en la bañera.

Interruptor de vacío

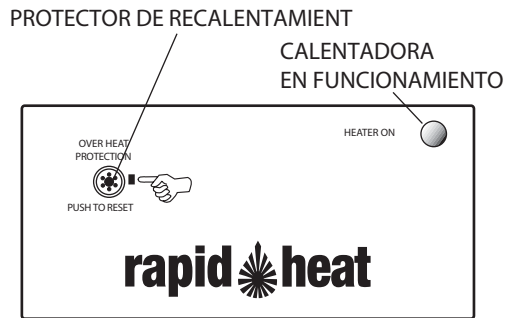
El calentador está equipado con un interruptor preajustado de vacío que no permitirá que el calentador se encienda (ON) si la bomba no está funcionando con el agua fluyendo a través del sistema.

Interruptor de límite alto

El calentador incluye un interruptor exclusivo de límite alto. Este circuito de seguridad no se accionará falsamente por el agua caliente contenida en la tubería. Su única función es apagar el calentador si falla el termostato. Si el límite superior se activa con frecuencia, contacte a su proveedor de servicio, eléctrico/mecánico, autorizado. También puede visitar nuestro sitio Web en <http://www.jacuzzi.com/> para encontrar a un Proveedor de Internet.

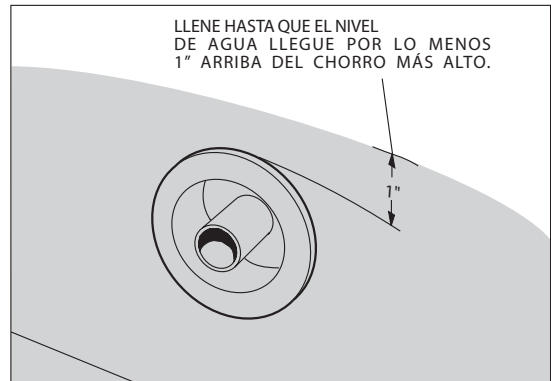
Calentador en posición de encendido (ON)

La luz permanecerá encendida mientras que el calentador esté en funcionamiento.



Nivel del Agua

Cierre el desagüe y llene el baño hasta que agua sea por lo menos 1 pulg. (25 mm) encima del chorro más alto (ver línea de flotación indicada en la ilustración). **En ningún momento encienda el sistema de remolino si los chorros no se sumergen completamente en el agua.** Poner a funcionar el sistema de hidromasaje cuando el agua es insuficiente en el baño podría tener como resultado que el agua se desborde fuera del área del baño. Correr el sistema de hidromasaje sin agua dañará la bomba de recirculación.



MANTENIMIENTO

Cómo limpiar la bañera

Para limpiar la bañera sólo use detergentes líquidos suaves, no abrasivos. Puede proteger y recuperar el brillo de la superficie acrílica aplicando "Meguiar's # 10 Mirror Glaze", un producto especialmente diseñado para acabados acrílicos. En caso de no encontrar este producto en el mercado puede usar una cera acrílica de igual calidad o cera para pulir automóviles.

Nunca use limpiadores abrasivos para el hogar en ningún producto Jacuzzi Whirlpool Bath.

Reparaciones de la superficie

Será necesario volver a aplicar el terminado a la bañera si las ralladuras y estrías son tan profundas que penetran en la superficie acrílica. Pida a su distribuidor autorizado Jacuzzi Whirlpool Bath® instrucciones especiales.

Purgar el sistema de las bañeras de hidromasaje

NOTA: EL SISTEMA DE HIDROMASAJE DEBE PURGARSE POR LO MENOS DOS VECES AL MES

Para eliminar los residuos de baño, acumulados en el sistema hidromasaje, es recomendable limpiar el sistema de hidromasaje por lo menos dos veces al mes. Sin embargo, para obtener mejores resultados, le recomendamos que purgue su sistema después de cada uso, utilizando nuestro detergente exclusivo de dos partes, fabricado especialmente para bañeras de hidromasaje. "Systems Clean™" está disponible a través de nuestros distribuidores autorizados de baños Jacuzzi Whirlpool o llamándonos directamente al 1-800-288-4002. Instrucciones para su uso: Inmediatamente después del baño, y después de salir de la bañera, deje el agua en la bañera y agregue agua caliente si es necesario, de tal modo que el agua se encuentre por lo menos 1 pulg. (25 mm) por encima del tubo de salida más alto. Active la unidad sin el aereador. Vierta el contenido del paquete 1 "Systems Clean" dentro de la bañera, próximo a la toma de la bomba de circulación, teniendo cuidado de no derramar el material sobre usted. Repita ese mismo procedimiento con el paquete 2 de Systems Clean 2. **Para evitar un olor fuerte, es importante utilizar el paquete 1 antes que el paquete 2.** Haga correr agua en la bañera de 5 a 10 minutos. Desagüe completamente y enjuague cualquier residuo.

Si Ud. ha seguido las instrucciones de purgar de la manera mencionada, y todavía tiene un exceso de residuos de baño acumulado y por lo tanto desea un mecanismo alternativo de limpieza, recomendamos **SUPER SYSTEMS CLEAN PLUS**, manufacturado por "Stearns Packaging" para rectificar esta situación. Este producto se puede obtener contactándonos al 1-800-288-4002. Se recomienda que Ud. siga las instrucciones del fabricante incluidas con el producto. Puede que sea necesario usar este producto repetidamente. **SUPER SYSTEMS CLEAN PLUS** no reemplaza la necesidad de limpiar el sistema periódicamente con Systems Clean, y de acuerdo a las recomendaciones indicadas.

(Para información adicional acerca del contenido y calidad de agua, comuníquese con nosotros para solicitar una copia de la guía de instrucción sobre la calidad superior de agua del Jacuzzi, "Jacuzzi Water Quality Primer".

Aditivos de baño

NOTA: NO UTILICE ADITIVOS DE BAÑO CON BASE ACEITOSA.

Si Ud. desea utilizar cualquier clase de aditivo en el baño, utilice solamente una pequeña cantidad de polvo o sustancia cristalina de poca espuma; la acción de hidromasaje intensifica las propiedades de hacer espuma de los jabones.

El uso de ciertos aceites de baño, baños de burbujas y aditivos de baño pueden incrementar el nivel de acumulación de residuos en el sistema de bañeras de hidromasaje. Si los excesos de acumulaciones persisten, Ud. debe dejar de seguir usando estos productos.

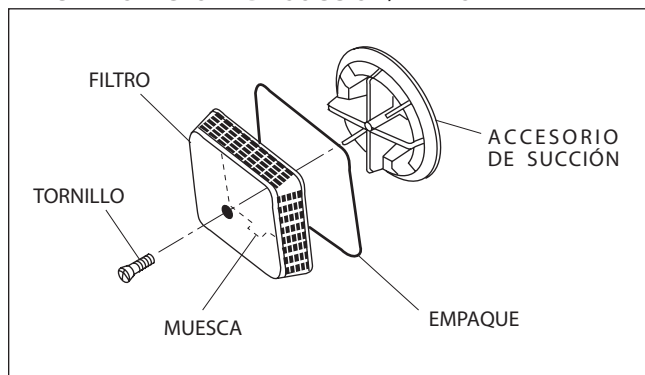
Mantenimiento de la placa protectora de succión/filtro

Elimine los residuos de cabello y mugre acumulados en la placa protectora de succión y en el filtro cuando sea necesario. Para ello, retire el tornillo central y desmonte la placa cuadrada. Limpie los orificios de la placa con una descarga de agua. Cuando la reinstale oriente la placa y el filtro con la pequeña muesca en la parte inferior. El empaque debe insertarse en el surco de la placa/filtro antes de reinstalar el accesorio de succión.



PRECAUCIÓN: Cuando esté encendido el sistema de hidromasaje, mantenga el cabello alejado del accesorio de succión aproximadamente 6 pulgadas (15 cm). El cabello largo hasta los hombros debe llevarse recogido o cubierto con una gorra de baño. No encienda el sistema de hidromasaje si la placa protectora no está en su lugar. Es un dispositivo de seguridad y siempre debe estar bien colocado para reducir al mínimo el riesgo de que el cabello o alguna parte del cuerpo queden atrapados.

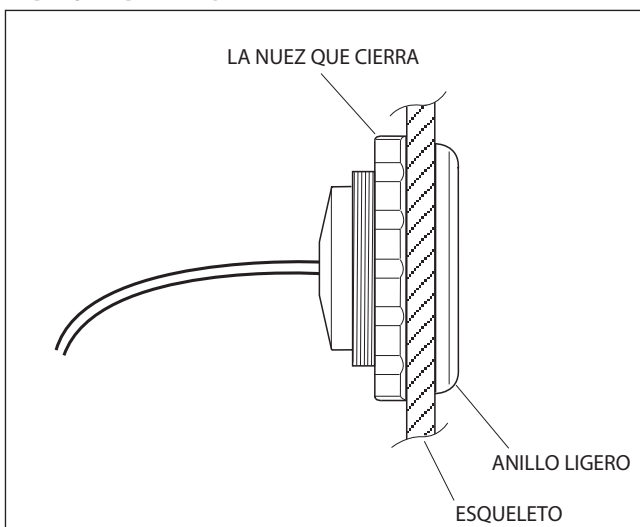
PLACA PROTECTORA DE SUCCIÓN/FILTRO



Lámpara

Si su unidad tiene la iluminación de chromotherapy y las luces fallan de funcionar el contacto su comerciante del Baño de Remolino de Jacuzzi. No hay los componentes de utilizable de cliente en la iluminación de chromotherapy. Usted puede visitar también nuestro sitio web en <http://www.jacuzzi.com/> para encontrar la más cercana lista autorizada de agente de servicio para su tina de Jacuzzi Comfort Plus.

LED ASAMBLEA LIGERA



Guía general de reparación de averías en las bañeras de hidromasaje

PROBLEMA	PROBABLES CAUSAS	SOLUCIÓN
La bomba/motor no arranca.	No llega corriente a la bomba/motor.	Reconecte el GFCI.
	No está conectada la bomba/motor.	Inserte totalmente el enchufe en el tomacorriente.
	Interruptor Magic Touch– El tubo de aire no está conectado al interruptor, o al interruptor de aire en la bomba/motor.	Reconecte el tubo al interruptor Magic Touch o al interruptor de aire de la bomba/motor.
	Bomba/motor defectuosa.	Reemplace el ensamblaje de la bomba/motor.
La bomba/motor funciona, pero los chorros de agua no funcionan.	Los chorros de agua están cerrados.	Abra los chorros de agua rotando a la izquierda (contra las agujas del reloj).
	La cobertura de succión puede estar bloqueada.	Con el motor desconectado, retire la tapa de seguridad y quite toda basura. Vuelva a colocar la cobertura de succión antes de volver a operar el equipo.
	Aire atrapado	Asegúrese que el nivel del agua está al menos 1 pulg. (25 mm) sobre el chorro más alto.
La bomba/motor funciona, pero el aire no se inyecta al agua.	Las válvulas de aire están cerradas.	Abra las válvulas de control de aire.
La bomba/motor no se apaga.	Si se utiliza el cronómetro de pared, puede que éste esté defectuoso.	Reemplace el cronómetro.
Escape de agua en las uniones de la bomba.	Muy ajustado, anillo tórico mal acoplado o mal colocado, mal ajustado.	Afloje los empalmes, revise y vuelva a colocar el anillo tórico. Si el anillo tórico ha perdido su forma, reemplácelo (refiérase al número de teléfono abajo). Cuando ajuste las tuercas de empalme, hágalo únicamente en forma manual.
Bomba/motor se apaga por sí solo, o mediante el cronómetro, antes del tiempo fijado.	Debido a sobre calentamiento (suministro de voltaje bajo), la protección termal del motor ha desactivado la bomba/motor.	Deje enfriar el motor; la protección termal se volverá a conectar. Revise la existencia de ventilación apropiada. (Revise el suministro de voltaje.)
	GFCI desconectado.	Reconecte el GFCI. Si continúa desconectándose, no utilice este equipo. Desconecte el equipo y haga que el problema sea arreglado por un electricista autorizado antes de volver a utilizarlo.
	Cable de alimentación inadecuado.	Consulte con un electricista autorizado para corregir el cableado de la unidad.
Las luces de Chromotherapy fallan de operar.	El conector de la fibra óptica ha venido flojo.	Consulte el más cercano Jacuzzi agente autorizado de servicio.

NOTA: Si la unidad está dentro del plazo de su garantía, contacte al Servicio de apoyo de Jacuzzi Whirlpool Bath® al 1-(800) 288-4002, y verifique el número de serie de la unidad antes de que se inicie el trabajo. El número de serie se localiza en las especificaciones / placa de número de serie. Vea la página 14.

**LAS ESPECIFICACIONES DEL PRODUCTO ESTAN SUJETAS A CAMBIOS SIN PREVIA NOTIFICACION
USE LAS INSTRUCCIONES DE INSTALACION PROPORCIONADAS CON EL PRODUCTO.**

Jacuzzi Whirlpool Bath® ha obtenido las listas de códigos correspondientes (normas), para productos de este tipo, que generalmente están a disposición por todo el país. Antes de instalar el producto, el instalador o dueño de éste tiene la obligación de cumplir con el código específico local. Jacuzzi Whirlpool Bath® no representa, ni garantiza, ni es responsable de hacer cumplir cualquiera de estos códigos de instalación.

Jacuzzi Whirlpool Bath
P.O. Box 702168, Dallas, TX 75370-2168
Service Support: (800) 288-4002

© 2005 Jacuzzi Whirlpool Bath® BP43000 2/05



Printed on Recycled Paper

Printed in the U.S.A.

Servicios autorizados Productos para el Baño y la Ducha

Si usted necesita obtener referencias sobre una compañía de servicios en su cercanía, o necesita asistencia para preguntas sobre la operación o mantenimiento del producto, por favor llame a nuestro Departamento de atención al cliente, al número 1-800-288-4002. Para obtener una lista de agentes de servicios, visite nuestro sitio Web en <http://www.jacuzzi.com>. Para encontrar listas de agentes de servicios, busque en For The Trade. Luego entre a Agentes de servicios eléctricos/mecánicos (Electrical/Mechanical Service Agents). Dependiendo del problema, entre a Reparación eléctrica/mecánica (Electrical/Mechanical Repairs) o Problemas relacionados al Acabado, superficie o armazón (Finish, Surface or Shell-Related Problems).

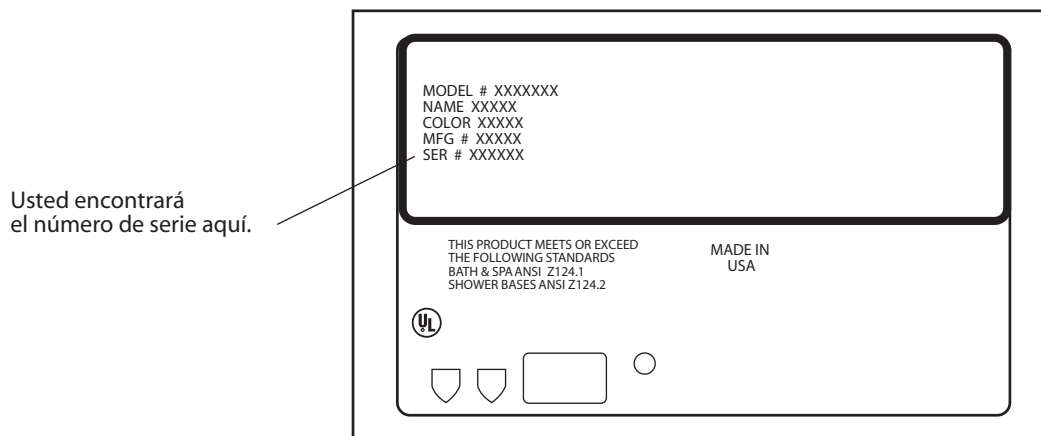
Cuando solicite servicios o asistencia técnica, por favor tenga a la mano tanto, el modelo, como el número de serie de la unidad. Esta información puede ser obtenida de la tarjeta de registro del producto, proporcionada junto con su unidad. Si la tarjeta ha sido desplazada, esta información se podrá obtener de la etiqueta de especificaciones/número de serie, colocada en la unidad (para la ubicación de esta etiqueta, ver gráfico a continuación).

PRODUCTOS PARA EL BAÑO

Bañeras de hidromasaje: La etiqueta está colocada en la pared de la tina, cerca de la bomba/motor.

Bañeras sin corriente de chorro: La etiqueta está colocada al lado de la válvula de rebose.

Etiqueta de especificaciones/Número de serie





ADDENDUM

Cambio AUTORIZADO de SERVICIO

Esta hoja reemplaza la página Autorizada del Servicio en este manual.

Servicios autorizados productos para el baño y la ducha

Si usted necesita obtener información sobre una compañía de servicios en su cercanía, o necesita asistencia para preguntas sobre la operación o mantenimiento del producto, por favor llame a nuestro Departamento de Servicios de Apoyo, teléfono 1-800-288-4002. Para obtener una lista de agentes de servicios, visite nuestra pagina web, <http://www.jacuzzi.com/>. Para encontrar las listas de agente de servicio para:

Las Reparaciones eléctricas o Mecánicas visitan <http://jacuzzi.com/pdf/ASA.PDF>

El fin, la Superficie, o las Reparaciones de Esqueleto-Relacionó visitan <http://jacuzzi.com/pdf/AFC.PDF>

La reparación Despide o los Accesorios visitan <http://jacuzzi.com/pdf/MPD.PDF>

Cuando solicite servicios o asistencia técnica, por favor tenga a la mano tanto el modelo, como el número de serie de la unidad. Esta información puede ser obtenida en la tarjeta de registro del producto, proporcionada junto con su unidad. Si la tarjeta ha sido desplazada, esta información se podrá obtener en la etiqueta de especificaciones/número de serie, colocada en la unidad misma (para la ubicación de esta etiqueta, ver a continuación).

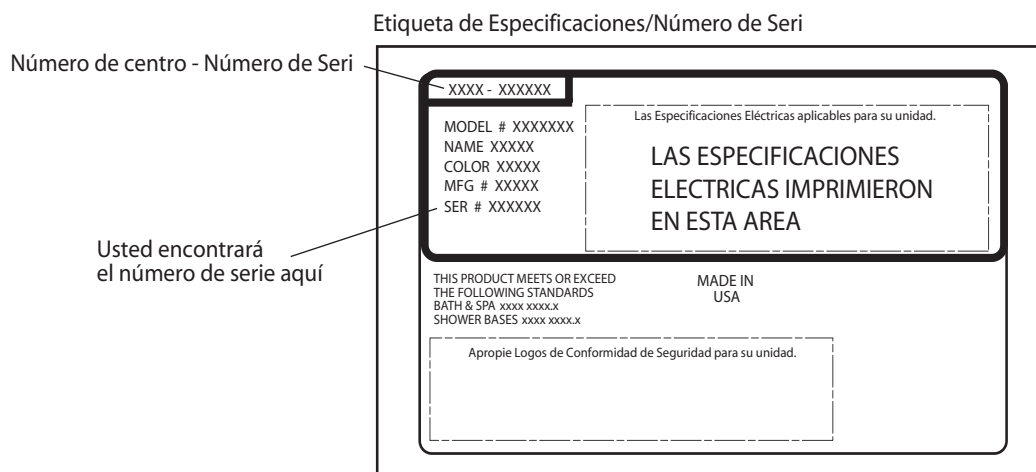
PRODUCTOS PARA EL BAÑO

Baños Combination Whirlpool: La etiqueta está colocada en la pared de la tina, cerca de la bomba/motor.

Baños Whirlpool: La etiqueta está colocada en la pared de la tina, cerca de la bomba/motor.

Baños aéreo: La etiqueta está colocada en la pared de la tina, cerca de la fuelle.

Baños empapados: La etiqueta se localiza junto a la capacidad rebosadero.



Garantía Limitada de Tinas de "Jacuzzi Whirlpool Bath" Producto de Grupo de Tinas Comfort Plus

COBERTURA DE LA GARANTÍA

Jacuzzi Whirlpool Bath (la "Compañía") ofrece la siguiente garantía limitada expresa a los compradores originales de cualquier tina de Jacuzzi Whirlpool Bath Comfort Plus Group Bath Product ("unidad") que compren el producto para uso personal o de una sola familia ("usuario"). La Compañía se compromete a la reparación o sustitución, según sea su decisión, de la unidad o sus equipos, de conformidad con los siguientes términos y condiciones.

GARANTÍA LIMITADA DE UN AÑO EN LAS TINAS

Nuestra garantía limitada a en los productos de Comfort Plus Group Bath es de un (1) año. La garantía cubre a la unidad y a los componentes instalados de fábrica (v.g. la bomba, el motor) en contra de cualquier defecto de material o de construcción. La cobertura de la garantía empieza el día que el usuario compró la unidad.

GARANTÍA LIMITADA DE CINCO AÑOS (SOLAMENTE PARA LAS PIEZAS) POR LA BOMBA Y EL MOTOR

Nuestra garantía limitada por la bomba y el motor es por cinco (5) años, únicamente para las piezas. La cobertura de la garantía comienza en la fecha en la que el usuario compró originalmente la unidad.

GARANTÍA LIMITADA DE NOVENTA DÍAS (REPUESTOS ÚNICAMENTE) EN OPCIONES Y ACCESORIOS

Nuestra garantía limitada en las opciones y accesorios de los repuestos únicamente fabricados por la Compañía es de noventa (90) días. Nuestra garantía cubre las opciones y accesorios fabricadas por la Compañía (v.g. juego de cascadas, vestiduras, faldas) en contra de cualquier defecto de material o de construcción. La cobertura de la garantía empieza el día que el usuario compró la opción o accesorio.

LIMITACIONES DE LA GARANTÍA

Nuestra garantía limitada a no cubre los defectos, daños o fallas ocasionados por el distribuidor, instalador, o cualquier otra persona, ni los que resulten, sin limitaciones, de cualquiera de los casos siguientes: descuido en el manejo (levantamiento de la unidad al usando la plomería como mango, abresión de los terminados, etc.), modificación de cualquier tipo por cualquier razón (incluso modificaciones para cumplir con las normas de los códigos locales), instalación inadecuada (incluso instalación no conforme a las instrucciones y especificaciones que acompañan a la unidad); conexiones proporcionadas por el instalador del equipo; impropio abasto de voltaje o alguna modificación eléctrica no autorizada; mal uso; operación incorrecta; o falta de mantenimiento adecuado de rutina, operación de la unidad sin la cantidad mínima de agua que se especifica o a una temperatura del agua inadecuada; uso de limpiadores abrasivos o impropios; o desastres naturales como relámpagos, inundaciones, terremotos, etc.

Además, la COMPAÑÍA NO SERÁ RESPONSABLE POR DAÑOS INCIDENTALES O CONSECUENCIALES o pérdidas que se deriven de cualquier causa (v.g., daño del agua a las alfombras, techos, pérdida de uso, etc.) incluso su propia negligencia, daños a, relativos a, o que resulten de las partes cromadas cuando se usen en la unidad sustancias químicas para piscina o "spa"; equipo opcional de tina no fabricado por la Compañía pero provisto por el Distribuidor, instalador o por la Compañía; el uso anterior de la unidad para hacer demostraciones, o defectos que debieran haberse descubierto antes de la instalación. Esta garantía limitada no incluye: mano de obra, transporte, u otros costos en los que se incurra en la remoción y/o reinstalación de la unidad original y/o instalación de una unidad de reemplazo; cualquier costo relativo a lograr el acceso para la reparación, o daño por pérdida de uso, incluso pérdida de ventas, utilidades o ventajas comerciales de cualquier tipo en cualquier circunstancia. Las unidades quedan excluidas de cualquier cobertura de garantía en caso de que se le haya hecho a la unidad (o a cualquiera de sus componentes) algún añadido, cancelación o modificación de cualquier tipo.

La cobertura de la garantía se proporciona únicamente en los Estados Unidos de América y Canadá.

EXCLUSIÓN DE GARANTÍAS IMPLÍCITAS

GARANTÍAS APLICABLES DE MERCANTIBILIDAD Y ADECUACIÓN PARA UN PROPÓSITO DETERMINADO SON NEGADAS TOTALMENTE O HASTA EL LIMITE COMPLETO PERMITIDO CONFORME A LA LEY.

AVISO: Esta garantía le ofrece derechos legales concretos y es posible que además tenga usted otros derechos que varían de un estado a otro. No existen garantías aplicables a los productos Jacuzzi Whirlpool Bath, excepto los que aquí se expresan o los implícitos en leyes estatales y federales aplicables. La compañía no se hace responsable por declaraciones o interpretaciones que se hagan de cualquier forma y que resulten más amplias o que no correspondan con la literatura autorizada que proporciona la Compañía.

Algunos estados no permiten limitaciones a la duración de una garantía implícita, o la exclusión o limitación de daños incidentales o consecuenciales, de tal forma que las limitaciones o exclusiones antes descritas quizá no sean aplicables a usted.

RESPONSABILIDAD DE LA TARJETA DE GARANTÍA

La tarjeta anexa, que ya incluye la dirección de la Compañía, y que tiene por objeto el registro de la unidad para fines de garantía debe llenarse antes de que hayan pasado (30) treinta días de la compra y enviarse a Jacuzzi Whirlpool Bath para que esta garantía entre en vigor.



Jacuzzi Whirlpool Bath
P.O. Box 702168
Dallas, TX 75370-2168

RESPONSABILIDAD DE TERCEROS

Es responsabilidad del instalador o del contratista constructor que actúen en nombre del usuario realizar una inspección de la unidad antes de instalarla. Ellos son responsables de asegurarse de que la unidad no tiene defectos ni daños. Se ponen avisos en la unidad y en la caja que la contiene para advertir al instalador sobre esta responsabilidad. En caso de que haya algún problema, no debe instalarse la unidad. La Compañía no se hace responsable de fallas o daños que podrían haberse detectado, reparado o evitado mediante una inspección apropiada y pruebas antes de la instalación.

Cualquier daño que ocurra durante el trayecto es responsabilidad del transportista. El usuario o instalador DEBE abrir la caja y revisar que la unidad no tenga ningún daño, al momento de la entrega. Si se encuentra algún daño, debe informarles de inmediato al vendedor y al transportista por escrito y debe solicitarse una inspección. En caso de que el transportista no responda, debe avisarles al vendedor y al transportista. Los reclamos de flete deben presentarse inmediatamente después.

Es responsabilidad del instalador, contratista constructor o usuario proporcionar acceso para servicio. La Compañía no es responsable por ningún costo incurrido para obtener acceso para reparación. El usuario deberá afrontar con estos gastos y, si es apropiado, deberá recobrar este costo del instalador.

Los daños que ocurran a la unidad durante su instalación son responsabilidad del instalador y/o del contratista constructor y daños que ocurran después de la instalación de la unidad son responsabilidad del usuario.

Fallas en cualquier equipo opcional son responsabilidad única del fabricante del equipo. (Opciones y accesorios fabricadas por la Compañía tienen garantía de noventa (90) días desde la fecha original de su compra para los repuestos únicamente).

El Distribuidor o Vendedor es responsable de conocer los requisitos de los códigos locales y de notificar al contratista instalador y o al usuario de estos requisitos al momento de su compra. La Compañía no es responsable por ningún costo incurrido en la modificación del producto para conseguir la aprobación del código, a fin de obtener la aprobación municipal, estatal o del condado para el código en los E.E.U.U., o códigos municipales o provinciales un Canadá.

SERVICIO DE GARANTÍA

Para beneficio del cliente, la Compañía tiene una lista de proveedores de servicio independientes que pueden realizar las reparaciones requeridas para el servicio de garantía. Dichas empresas no son ni agentes ni representantes de la Compañía y no pueden obligar a la Compañía por palabra o conducta.

La Compañía debe proporcionar el servicio de garantía que se describe arriba, cuando se hayan cumplido las siguientes condiciones: la falla es de una naturaleza o de un tipo que queda cubierto por la garantía; el usuario le ha informado a un Agente autorizado o Representante del Departamento de Garantías cuál es la naturaleza del problema durante el período cubierto por la garantía; el usuario le ha entregado a dicho agente o representante pruebas irrefutables (v.g. pruebas de compra o instalación) de que la falla ocurrió o se descubrió dentro del período de garantía; una persona autorizada de servicio independiente o representante de la Compañía ha tenido la oportunidad de inspeccionar la unidad durante horas hábiles regulares dentro de un lapso razonable después de que el usuario reportó la falla.

A fin de obtener un servicio de garantía, consulte su directorio telefónico para encontrar al Agente de Servicio Autorizado de Jacuzzi Whirlpool Bath que más cerca le quede. Describa su problema y el Agente de Servicio Autorizado inspeccionará la unidad y le ofrecerá el servicio que requiere la garantía.

En caso de que no pueda obtener a un Agente de Servicio Autorizado de Jacuzzi Whirlpool Bath, escriba o llame a:

Jacuzzi Whirlpool Bath
Warranty Service Department
P.O. Box 702168
Dallas, TX 75370-2168
Llame a : (800) 288-4002

Para obtener un reemplazo según la garantía para componentes instalados de fábrica para opciones abastecidos por la Compañía y accesorios fabricados y abastecidos por la Compañía, llame o escriba al domicilio que abajo se señala. Proporcione una descripción del problema y una prueba de compra. Recibirá instrucciones de cómo obtener su reemplazo y de cómo devolver, a sus expensas, el o los componentes, opciones o accesorios defectuosos.

Todas las partes, equipos y reparaciones asumirán el resto del lapso de garantía de la parte o partes reemplazados.

La obligación de garantía de la Compañía quedarán descargadas con la oferta de reemplazo o reparación. En caso de que el cliente se niegue a aceptar la solución, se da por terminada la obligación de cumplimiento de garantía de la Compañía.

Jacuzzi Whirlpool Bath® BP43000 2/05

Garnatía Limitada de Noventa Días Repuestos Únicamente de Accesorio(s)

Garnatía Limitada de Noventa Días Repuestos Únicamente de Accesorio(s)



**TARJETA DE REGISTRO
PARA LA GARANTÍA**

Para que esta garantía entre en vigor, esta tarjeta debe llenarse y enviarse al domicilio que está impreso al reverso, antes de que hayan pasado (30) treinta días después de la fecha de compra.

Nombre del Jefe de Familia _____

Domicilio _____ Estado _____ Código Postal _____

Ciudad _____

Fecha de compra/ocupación _____

Nombre del modelo _____

Numero de serie _____

Nombre del distribuidor/constructor _____

Dirección del distribuidor/constructor _____

1. ¿Cómo se enteró de la existencia de este producto de Jacuzzi® protegido?
 - Anuncio Publicitario Artículo en revista, periódico
 - Visita a Proveedor/distribuidor
 - Sección paginas amarillas
 - Constructor/Plomero/Remodelador Decorador/Arquitecto
 - Visitó Revendedor/Ferretería
 - Publicidad de boca...amigo/pariente/conocido
 - Otro (por favor describa) _____
2. ¿Quien fue la primera persona que le dio información sobre este producto (especificaciones, precios, etc)?
 - Proveedor de productos de baño Constructor
 - Remodelador Contratista de productos de plomería
 - Decorador/Arquitecto Ya estaba instalado
3. ¿Cual fue la principal razón para la compra?
 - El estilo Servicio de garantía Accesorios del producto
 - Marca de Fabrica Precio Hidroterapia
 - Venta de Casa
 - Otro _____
4. ¿Quien tomó la decisión final sobre qué producto comprar?
 - Yo mismo Conyuge Conyuge y yo juntos
 - Otro miembro de la familia Diseñador/Arquitecto
 - Constructor/ Plomero/Remodelador Ya estaba instalado
 - Quien instaló? Ya Instalada/Casa Nueva
 - Contratista/Plomero Durante Renovación
 - Usado/Conyuge Durante Renovación
 - Otro (Especifique) _____
6. ¿Cuales actualmente el valor en el mercado de esta propiedad? _____ años
7. ¿Que edad tiene el jefe de familia? _____ años
8. ¿Cuales otros fabricantes consideró usted?
 - Elier Lasco Price Plister Aqua Glass
 - Kohler American Standard Sterling
 - Otro (Especifique) _____
9. ¿Cuanto tiempo paso usted buscando antes de comprar su unidad?
 - 1 día 2 meses - 6 meses
 - 2-7 días 6 meses - 1 año
 - 1 semana - 2 semanas 1 años - 2 años
 - 2 semanas - 4 semanas mas de 2 años
 - 1 mes - 2 meses
10. Aproximadamente, ¿cuanto tiempo han vivido en esa casa? _____ años
11. Por favor indique, aproximadamente, ¿cual es el ingreso total al año de su hogar?
 - Hasta \$24,999 De \$50,000 a \$74,999
 - De \$25,000 a \$29,999 De \$75,000 a \$99,999
 - De \$30,000 a \$39,999 De \$100,000 a \$149,999
 - De \$40,000 a \$49,999 \$150,000 y mas
12. ¿Fue su proceso de compra?
 - Muy Fácil Fácil Difícil Muy Difícil
13. ¿Que tan técnicamente informado estaba usted del sistema de chorros Jacuzzi® protegido por patente, antes de su compra?
 - No estaba informado Un poco informado Muy informado

JACUZZI WHIRLPOOL BATH
BP43000

Free Manuals Download Website

<http://myh66.com>

<http://usermanuals.us>

<http://www.somanuals.com>

<http://www.4manuals.cc>

<http://www.manual-lib.com>

<http://www.404manual.com>

<http://www.luxmanual.com>

<http://aubethermostatmanual.com>

Golf course search by state

<http://golfingnear.com>

Email search by domain

<http://emailbydomain.com>

Auto manuals search

<http://auto.somanuals.com>

TV manuals search

<http://tv.somanuals.com>