

## nova™ 5 pure air® II bath

nova—a brightly burning star. the nova™ pure air® II bath—a rejuvenating point of light in your day, your night, your routine.



Clean lined and classic, the Nova™ whirlpool is versatility defined.

### features:

- Exclusive 360° Balanced Airflow™ system
- 600 watt variable speed heated air blower
- Thermal Lumbar Comfort (TLC)™
- Safely use salts and aromatic oils
- PrO3™ Ozone Sanitation System standard

## nova™ 5 pure air® II bath

model number: EA00 – LH

exterior dimensions:  
**60" long x 42" wide x 18½" high**

interior dimensions:  
**41" long x 27" wide x 18" high**

operating gallons:  
**46 gallons**





# Nova™ 5 Pure Air® II Bath

Model: EA00

## Ordering Information

Product Code:

EA00 Nova® 5 Pure Air® II Bath  
Left Hand

- Left Hand Drain Location
- Accessories / Hardware:
  - Trip-Lever Drain Kit #X559
  - Rotary Drain Kit, 26" Cable #8730
- Trim Kit Finishes Available:
  - (827) - Chrome
  - (898) - Brushed Chrome
  - (815) - Satin Nickel
  - (829) - Bright Brass
  - (805) - Platinum
  - (826) - Brushed Nickel
  - (849) - Oil Rubbed Bronze

## Installation Notes

Refer to installation instructions included with fixture before beginning installation. Please confirm product availability and specifications before commencing with any installation work.

PRODUCT SPECIFICATIONS AND AVAILABILITY ARE SUBJECT TO CHANGE WITHOUT NOTICE.

Electrical Components and Electrical Specifications do not apply to non-jetted baths.

## Technical Specifications

### Dimensions

60" L x 42" W x 18-1/2" H  
(1524 mm) L x (1067 mm) W x (470 mm) H

### Drain/Overflow

A: 14-3/4" (375 mm) B: 8-1/2" (216 mm)

### Cutout

58" x 40" (1473 mm x 1016 mm)

### Total Weight

795 lb (361 kg) / 45.4 lb/ft<sup>2</sup> (222 kg/m<sup>2</sup>)

### Operating Gallonage

46 U.S. Gal. (174 Liters)  
Min. 35 U.S. Gal. (133 Liters)  
Max. 54 U.S. Gal. (204 Liters)

### Product Weight

97 lb (44 kg)

### Skirt Mounting

Optional, U-Frame

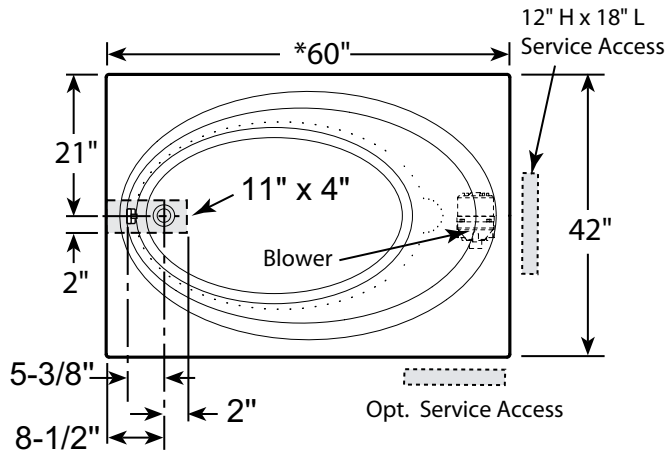
### Electrical Specifications

Requires a dedicated GFCI protected separate circuit.

Blower: 120 VAC, 15 AMP, 60 Hz.

### Heater

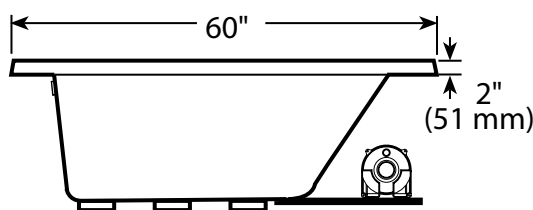
No water heater is available on this unit. Blower has integral air heater.



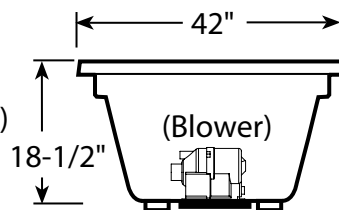
Product Shown: Nova® 5 Pure Air II Bath Left Hand Model: EA00

\* Measurements inside unit represent cutout in floor to allow for drain/overflow.

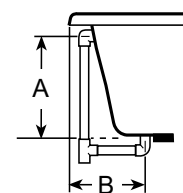
Minimum Service Access dimensions given.



SIDE VIEW



END VIEW



DRAIN/OVERFLOW

## Free Manuals Download Website

<http://myh66.com>

<http://usermanuals.us>

<http://www.somanuals.com>

<http://www.4manuals.cc>

<http://www.manual-lib.com>

<http://www.404manual.com>

<http://www.luxmanual.com>

<http://aubethermostatmanual.com>

Golf course search by state

<http://golfingnear.com>

Email search by domain

<http://emailbydomain.com>

Auto manuals search

<http://auto.somanuals.com>

TV manuals search

<http://tv.somanuals.com>