



Evoking the breathtaking beauty and ancient maritime tradition of the northern Italian town for which it is named, the Riva® is true to form—an elegant classic. And truly versatile—at home in both traditional and more contemporary interior design.

FEATURES:

- Exclusive 360° Balanced Airflow™ system
- 600 watt variable speed heated air blower
- Thermal Lumbar Comfort™ (TLC)
- Timed purge cycle
- Safely use salts and aromatic oils
- PrO₃™ Ozone Sanitation System standard



The Jacuzzi Magic Touch® control system makes customizing your bath easy.

**Riva® 5
PURE AIR® II BATH**

MODEL NUMBER:
EA30 (Left-hand)

EXTERIOR DIMENSIONS:
62" long x 43" wide x
19" high

INTERIOR DIMENSIONS:
41" long x 26" wide

OPERATING GALLONS:
45 gallons

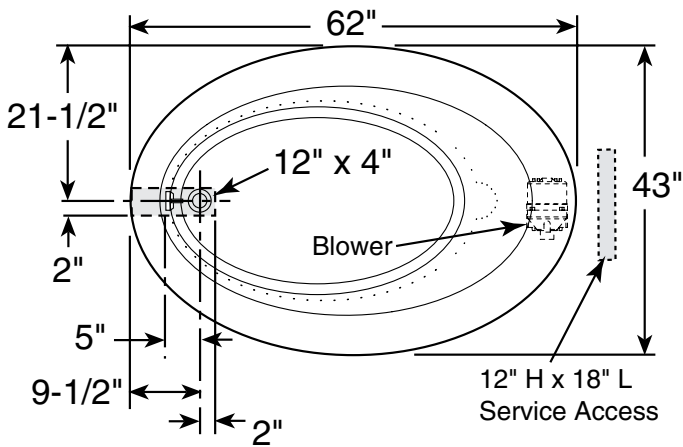




Riva® 5 PURE AIR® II BATH

EA30 Riva® 5 Pure Air® II Bath, Left Hand

- Accessories / Hardware:
Rotary Drain Kit, 26" Cable #8730
- Trim Kit Finishes Available:
(827) – Chrome
(898) – Brushed Chrome
(815) – Satin Nickel
(829) – Bright Brass
(805) – Platinum
(826) – Brushed Nickel
(849) – Oil Rubbed Bronze.



**Product Shown: Riva® 5 Pure Air® II Bath
Left Hand Shown Model: EA30**

** Measurements inside unit represent cutout in floor to allow for drain/overflow.*

Minimum Service Access dimensions given.

INSTALLATION NOTES

Refer to installation instructions included with fixture before beginning installation. Please confirm product availability and specifications before commencing with any installation work.

PRODUCT SPECIFICATIONS AND AVAILABILITY ARE SUBJECT TO CHANGE WITHOUT NOTICE.

Technical Specifications

DIMENSIONS

62" L x 43" W x 19" H
(1575 mm) L x (1092 mm) W x (483 mm) H

DRAIN/OVERFLOW

A: 14-3/4" (375 mm) B: 9-1/2" (241 mm)

CUTOUT

Template Provided Part Number: P186000

TOTAL WEIGHT

787 lb (357 kg) / 45 lb/ft² (220 kg/m²)

OPERATING GALLONAGE

45 U.S. Gal. (254 Liters)

PRODUCT WEIGHT

89 lb (40 kg)

SKIRT MOUNTING

Not Available

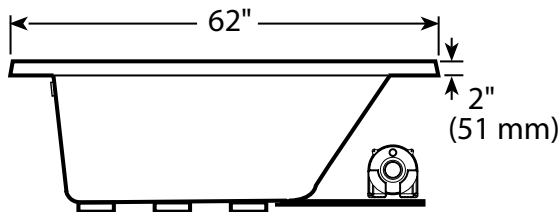
ELECTRICAL SPECIFICATIONS

Requires a dedicated GFCI protected separate circuit.

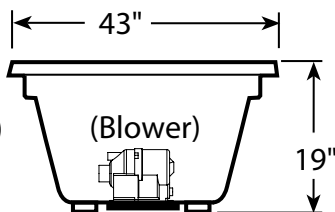
Blower: 120 VAC, 15 AMP, 60 Hz.

HEATER

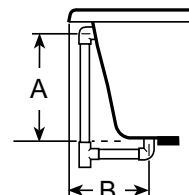
No water heater is available on this unit. Blower has integral air heater.



SIDE VIEW



END VIEW



DRAIN/OVERFLOW

Free Manuals Download Website

<http://myh66.com>

<http://usermanuals.us>

<http://www.somanuals.com>

<http://www.4manuals.cc>

<http://www.manual-lib.com>

<http://www.404manual.com>

<http://www.luxmanual.com>

<http://aubethermostatmanual.com>

Golf course search by state

<http://golfingnear.com>

Email search by domain

<http://emailbydomain.com>

Auto manuals search

<http://auto.somanuals.com>

TV manuals search

<http://tv.somanuals.com>