

## sabella® whirlpool bath

sabella®. dissect the name and you discover beauty—"bella," the Italian word for beautiful.



Consider the look, and you know that this clean lined splendor makes a classic companion to your contemporary interior. In any décor, the Sabella® is a deep-welled refuge of profound relaxation.

features:

- 4 fully adjustable PowerPro® jets
- 4 spinning neck jets
- 2 directionally adjustable AccuPro™ foot jets
- Handrails (purchased separately)
- RapidHeat™ inline heater
- Wave Pulse™ system
- Water level sensor
- Multi-speed motor
- 256 color Chromatherapy lighting system
- All-in-one electronic control panel
- Sculpted armrest
- PrO<sub>3</sub>™ Ozone Sanitation System standard

## sabella® whirlpool bath

model number: EH90

exterior dimensions:

72" long x 47" wide x 23¾" high

interior dimensions:

44" long x 26" wide

# of Jets/type of Jets:

4 PowerPro® Jets,  
4 AccuPro™ Rotating Neck Jets,  
2 AccuPro™ Foot Jets

operating gallons:

98 gallons



*Detail: The Sabella® whirlpool's gentle curves embrace a relaxing body. Handrails make for safe entry and exit. (Handrails are a must-buy accessory and are not included.)*





# Sabella™ Whirlpool Bath

Model: EH90

## Ordering Information

Product Code:

EH90 Sabella™ Whirlpool Bath  
Right Hand

- Center Drain Location
- Accessories / Hardware:
  - Trim Kit: 4 HTA Jet Rings #M952
  - Rotary Drain Kit, 30" Cable #K606
  - Trim Kit: 2 BMH Jet Rings #J869
  - Oval Trim Kit #N557
  - 2 X Trim Kit: 2 Neck Jet Rings #P556
  - Panel Overlays #P205
  - Hand Rails (Must Buy) #D461
- Trim Kit Finishes Available:
  - (827) - Chrome
  - (898) - Brushed Chrome
  - (815) - Satin Nickel
  - (829) - Bright Brass
  - (805) - Platinum
  - (826) - Brushed Nickel
  - (849) - Oil Rubbed Bronze

## Installation Notes

Refer to installation instructions included with fixture before beginning installation. Please confirm product availability and specifications before commencing with any installation work.

PRODUCT SPECIFICATIONS AND AVAILABILITY ARE SUBJECT TO CHANGE WITHOUT NOTICE.

## Technical Specifications

### Dimensions

72" L x 47" W x 23-3/4" H  
(1829 mm) L x (1194 mm) W x (603 mm) H

### Drain/Overflow

A: 20" (508 mm) B: 14" (356 mm)

### Cutout

Template Provided Part Number #P187000

### Total Weight

1199 lb (544 kg) / 51 lb/sq. ft. (249 kg/m<sup>2</sup>)

### Operating Gallonage

98 U.S. Gal. (371 Liters)

### Product Weight

133 lb (60 kg)

### Skirt Mounting

Not Available

### Electrical Specifications

**Requires a dedicated GFCI protected separate circuit.**

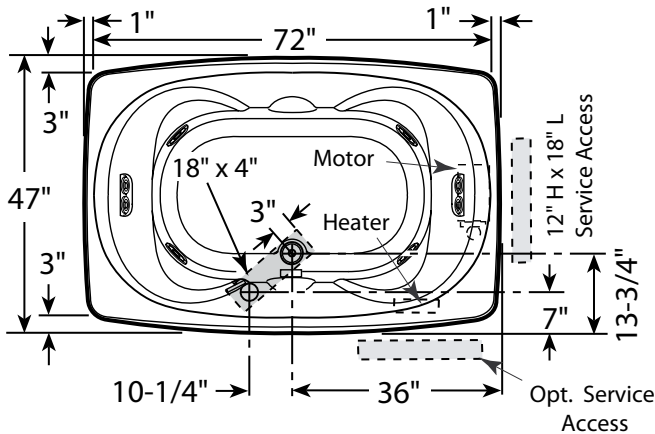
Motor/Pump: 120 VAC, 20 AMP, 60 Hz.

RapidHeat™: 120 VAC, 15 AMP, 60 Hz.

### Heater (Standard)

**Requires a dedicated GFCI protected separate circuit.**

RapidHeat™: P/N S750000

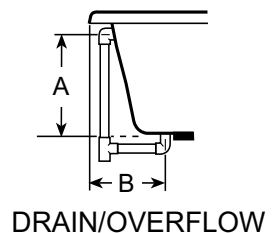
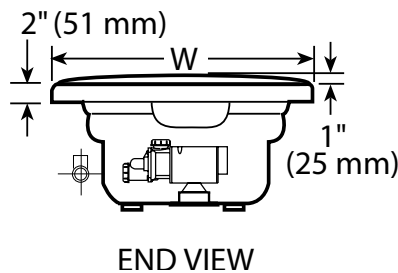
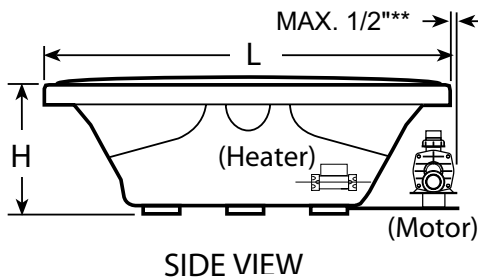


Product Shown: Sabella™ Whirlpool Bath Right Hand Shown Model: EH90

\* Measurements inside unit represent cutout in floor to allow for drain/overflow.

Minimum Service Access dimensions given.

† Add 1/4" to this dimension when roughing-in for 3-wall niche.



## Free Manuals Download Website

<http://myh66.com>

<http://usermanuals.us>

<http://www.somanuals.com>

<http://www.4manuals.cc>

<http://www.manual-lib.com>

<http://www.404manual.com>

<http://www.luxmanual.com>

<http://aubethermostatmanual.com>

Golf course search by state

<http://golfingnear.com>

Email search by domain

<http://emailbydomain.com>

Auto manuals search

<http://auto.somanuals.com>

TV manuals search

<http://tv.somanuals.com>