

venicia™ whirlpool bath

from the historic, iconic city of canals comes the watery respite of a slower pace of life.



Sink in. Stay a while. Linger long and luxurious in the Venicia™ whirlpool bath cares float away so easily.

features:

- 4 fully adjustable PowerPro® jets
- 4 spinning neck jets
- 2 directionally adjustable AccuPro™ foot jets
- Sculpted armrest
- Contoured backrest
- Handrails (purchased separately)
- Multi-speed motor
- RapidHeat™ inline heater
- 256 color Chromatherapy lighting system
- Wave Pulse™ system
- Water level sensor
- All-in-one electronic control panel
- PrO₃™ Ozone Sanitation System standard

venicia™ whirlpool bath

model number: EJ00

exterior dimensions:

72" long x 42" wide x 23" high

interior dimensions:

45" long x 24" wide

of Jets/type of Jets:

4 PowerPro® Jets

4 AccuPro™ Rotating Neck Jets

2 AccuPro™ Foot Jets

operating gallons:

90 gallons

Detail: The Venicia™ whirlpool features a comfortably contoured backrest that holds a symphony of Jacuzzi's exclusive PowerPro® massaging jets. (Handrails are a required accessory and are not included.)





Venicia™ Whirlpool Bath

Model: EJ00

Ordering Information

Product Code:

EJ00 Venicia™ Whirlpool Bath
Right Hand

- Center Drain Location
- Accessories / Hardware:
 - Trim Kit: 4 HTA Jet Rings #M952
 - Rotary Drain Kit, 30" Cable #K606
 - Trim Kit: 2 BMH Jet Rings #J869
 - Oval Trim Kit #N557
 - 2 X Trim Kit: 2 Neck Jet Rings #P556
 - Hand Rails (Must Buy) #G864
- Trim Kit Finishes Available:
 - (827) - Chrome
 - (898) - Brushed Chrome
 - (815) - Satin Nickel
 - (829) - Bright Brass
 - (805) - Platinum
 - (826) - Brushed Nickel
 - (849) - Oil Rubbed Bronze

Installation Notes

Refer to installation instructions included with fixture before beginning installation. Please confirm product availability and specifications before commencing with any installation work.

PRODUCT SPECIFICATIONS AND AVAILABILITY ARE SUBJECT TO CHANGE WITHOUT NOTICE.

Technical Specifications

Dimensions

72" L x 42" W x 23" H
(1829 mm) L x (1067 mm) W x (584 mm) H

Drain/Overflow

A: 20" (508 mm) B: 14" (356 mm)

Cutout

Template Provided Part Number #P187000

Total Weight

1130 lb (513 kg) / 54 lb/sq. ft. (264 kg/m²)

Operating Gallonage

90 U.S. Gal. (341 Liters)

Product Weight

130 lb (59 kg)

Skirt Mounting

Not Available

Electrical Specifications

Requires a dedicated GFCI protected separate circuit.

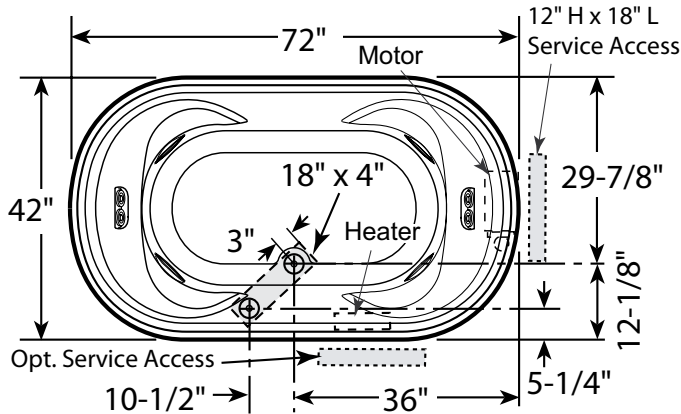
Motor/Pump: 120 VAC, 20 AMP, 60 Hz.

RapidHeat™: 120 VAC, 15 AMP, 60 Hz.

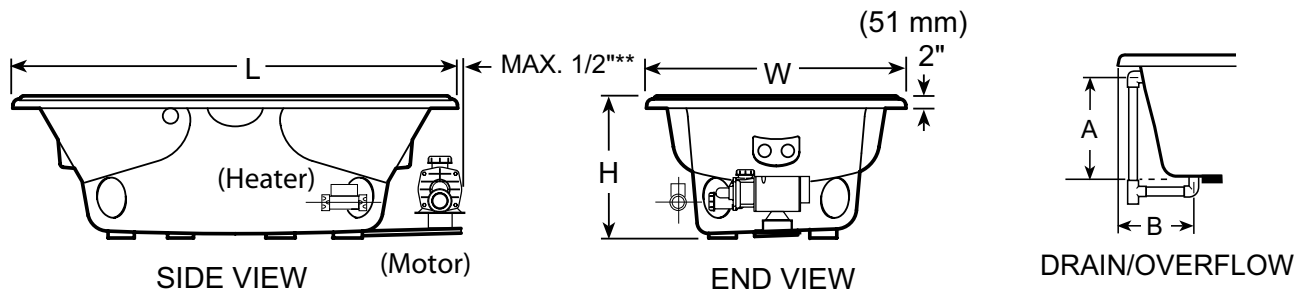
Heater (Standard)

Requires a dedicated GFCI protected separate circuit.

RapidHeat™: P/N S750000



Product Shown: Venicia™ Whirlpool Bath Right Hand Shown Model: EJ00
* Measurements inside unit represent cutout in floor to allow for drain/overflow. Minimum Service Access dimensions given.



Free Manuals Download Website

<http://myh66.com>

<http://usermanuals.us>

<http://www.somanuals.com>

<http://www.4manuals.cc>

<http://www.manual-lib.com>

<http://www.404manual.com>

<http://www.luxmanual.com>

<http://aubethermostatmanual.com>

Golf course search by state

<http://golfingnear.com>

Email search by domain

<http://emailbydomain.com>

Auto manuals search

<http://auto.somanuals.com>

TV manuals search

<http://tv.somanuals.com>