



Mito—in Italian, “myth.” Our Mito™—a whirlpool of fabled luxury. Think of the Mito™ as a fantastic experience. Legendary hydrotherapy in a roomy, bow-tie shaped bathing well.

FEATURES:

- 4 fully adjustable TheraPro™ jets
- 4 directionally adjustable AccuPro™ jets
- Electronic on/off control with temperature readout
- Air flow adjustability
- 256-color Chromatherapy underwater lighting
- Sculpted armrest
- Contoured backrest
- Exclusive Tru-Level™ base system
- Slip-resistant bottom
- ProO₃™ Cleaning System standard
- RapidHeat™ Heater standard



**Mito™ 5
WHIRLPOOL PLUS**

MODEL NUMBER:
EN90 – (RH pump)
EP00 – (LH pump)

EXTERIOR DIMENSIONS:
60" long x 42" wide x
21" high

INTERIOR DIMENSIONS:
34½" long x 25½" wide
x 22" wide

OF JETS/TYPE OF JETS:
4 TheraPro™ Jets,
4 AccuPro™ Foot Jets

OPERATING GALLONS:
62 gallons

Detail: The Mito® whirlpool bath's sculpted interior features gracious curves, a deep bathing well, and integral armrests.





Mito™ 5 WHIRLPOOL PLUS BATH

EN90	Mito™ 5 Whirlpool Bath, Right Hand Pump
EPO0	Mito™ 5 Whirlpool Bath, Left Hand Pump

- Center Drain Location
- Accessories / Hardware:
 - Trip-Lever Drain Kit #X559
 - Rotary Drain Kit, 26" Cable #8730
 - HTC Jet Trim Kit: #D095
 - 2 X BMH Jet Trim Kit: #J869
- Trim Kit Finishes Available:
 - (827) - Chrome
 - (898) - Brushed Chrome
 - (815) - Satin Nickel
 - (829) - Bright Brass
 - (805) - Platinum
 - (826) - Brushed Nickel
 - (849) - Oil Rubbed Bronze

INSTALLATION NOTES

Refer to installation instructions included with fixture before beginning installation. Please confirm product availability and specifications before commencing with any installation work.

PRODUCT SPECIFICATIONS AND AVAILABILITY ARE SUBJECT TO CHANGE WITHOUT NOTICE.

Electrical Components and Electrical Specifications do not apply to non-jetted baths.

Technical Specifications

DIMENSIONS

60" L x 42" W x 21" H
(1524 mm) L x (1067 mm) W x (533 mm) H

DRAIN/OVERFLOW

A: 17-1/2" (445 mm) B: 11-7/8" (302 mm)

CUTOUT

58" x 40"

TOTAL WEIGHT

866 lb (393 kg) / 50 lb/sq. ft. (242 kg/m²)

OPERATING GALLONAGE

62 U.S. Gal. (235 Liters)
Min. 39 U.S. Gal. (148 Liters)
Max. 73 U.S. Gal. (276 Liters)

PRODUCT WEIGHT

109 lb (49.5 kg)

SKIRT MOUNTING

Optional U-Frame

ELECTRICAL SPECIFICATIONS

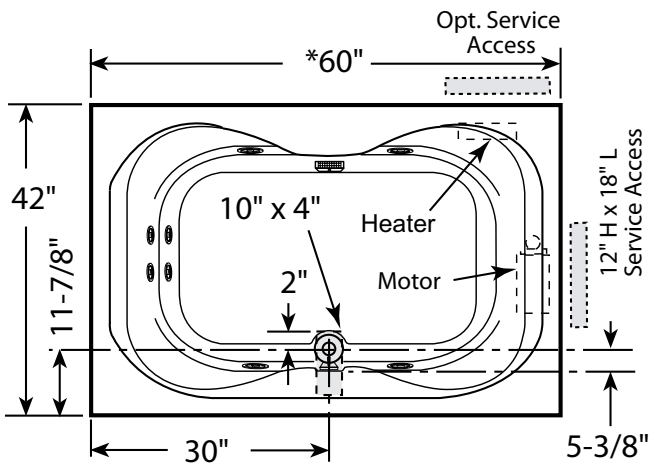
Requires a dedicated GFCI protected separate circuit.

Motor/Pump: 120 VAC, 15 AMP, 60 Hz.
RapidHeat™: 120 VAC, 15 AMP, 60 Hz.

HEATER

Requires a dedicated GFCI protected separate circuit.

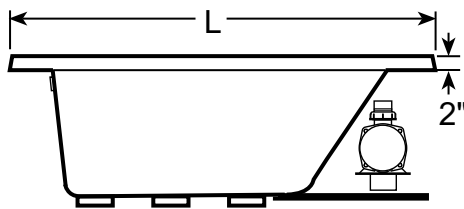
RapidHeat™: P/N S750000



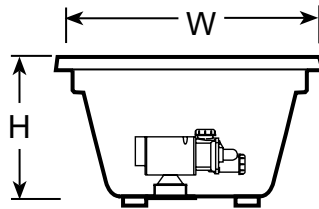
**Product Shown: Mito™ 5 Whirlpool Plus Bath
Right Hand Shown Model: EN90**

** Measurements inside unit represent cutout in floor to allow for drain/overflow.*

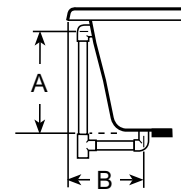
Minimum Service Access dimensions given.



SIDE VIEW



END VIEW



DRAIN/OVERFLOW

Free Manuals Download Website

<http://myh66.com>

<http://usermanuals.us>

<http://www.somanuals.com>

<http://www.4manuals.cc>

<http://www.manual-lib.com>

<http://www.404manual.com>

<http://www.luxmanual.com>

<http://aubethermostatmanual.com>

Golf course search by state

<http://golfingnear.com>

Email search by domain

<http://emailbydomain.com>

Auto manuals search

<http://auto.somanuals.com>

TV manuals search

<http://tv.somanuals.com>