



**WHIRLPOOL BATH SERIES**

**TECHNICAL SPECIFICATIONS MANUAL**

**Jacuzzi® Luxury Bath**

14525 Monte Vista Avenue  
Chino, CA 91710  
1-800-288-4002  
[www.jacuzzi.com](http://www.jacuzzi.com)



## Product Information



Save these instructions for future use. Use the form below to record your model and serial number for future reference.

Date Purchased \_\_\_\_\_

Purchased From \_\_\_\_\_

Installed By \_\_\_\_\_

Serial Number \_\_\_\_\_

Model \_\_\_\_\_

**Installer:** Leave the manual for the homeowner.

**Homeowner:** Read this manual and keep for future reference.

## Technical Specifications



Read complete instructions before beginning installation.

Each bathtub arrives ready for installation, completely equipped with blower motor, pump/motor assembly, heater, and plumbing necessary for operation.

Remove the bathtub from the carton. Retain the shipping carton until satisfactory inspection of the product has been made. Do not lift the bathtub by the plumbing or wiring at any time; handle by the shell only.

Immediately upon receipt, inspect the shell before installing. Should inspection reveal any damage or defect in the finish, do not install the bathtub. Damage or defect to the finish claimed after the bathtub is installed is excluded from the warranty.

Jacuzzi Luxury Bath's responsibility for shipping damage ceases upon delivery of the products in good order to the carrier. Refer any claims for damage to the carrier. For definitions of warranty coverage and limitations, refer to the published warranty information packed with the product.

All bathtub units are factory tested for proper operation and watertight connections prior to shipping.



Prior to installation, the bathtub must be filled with water and operated to check for leaks that may have resulted from shipping damage or mishandling. Jacuzzi Luxury Bath is not responsible for any defect that could have been discovered, repaired, or avoided by following this inspection and testing procedure.

**Acero™ Whirlpool Bath**
**Specifications for 6636 and 7242**

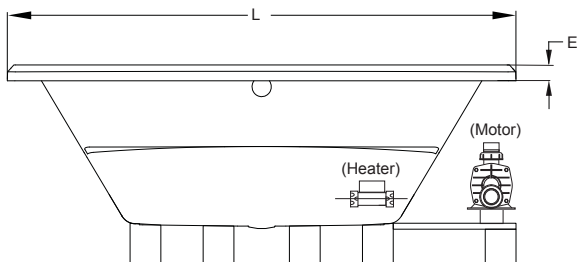
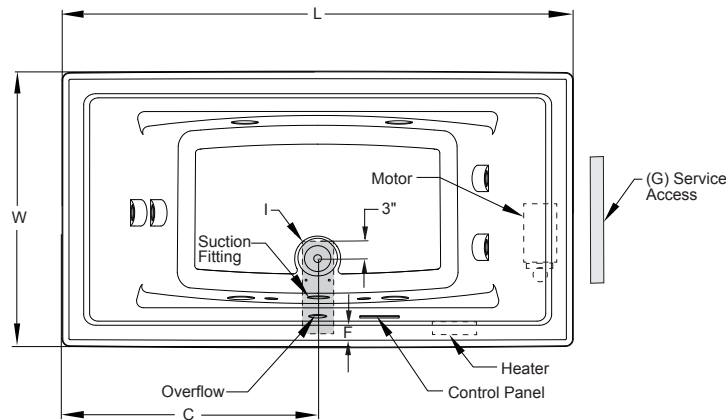
Letter	Description	6636		7242	
		English	Metric	English	Metric
-	Drain/Motor Location	Center drain/Right end motor		Center drain/Right end motor	
-	Cutout	Template Provided P/N HQ06000 64" x 34" Drop-In Cutout		Template Provided P/N HQ46000 70" x 40" Drop-In Cutout	
-	Total Weight	1042 lbs	474 kg	1266 lbs	574 kg
-	Floor Loading	63.4 lb/ft <sup>2</sup>	309 kg/m <sup>2</sup>	60.3 lb/ft <sup>2</sup>	294.4 kg/m <sup>2</sup>
-	Operating Gallons (Min/Max)	44G/ 78G	166.7L / 295L	57G/104G	216L/394L
-	Product Weight	142 lbs	65 kg	150 lbs	68 kg
L	Outer Length	65¾"	1670mm	72"	1829mm
W	Outer Width	36"	914mm	42"	1067mm
H	Overall Height	25"	635mm	25"	635mm
A	Overflow Height	17⅞"	454mm	17⅞"	454mm
B	Long Edge to Drain Center	11⅞"	303mm	11⅞"	303mm
C	Short Edge to Drain Center	33"	838mm	36"	915mm
D	Drain Shoe Length	7⅞"	200mm	7⅞"	200mm
E	Deck Height	2"	51mm	2"	51mm
F	Deck Width	4"	102mm	4"	102mm
G	Service Access Dimensions	12" x 18"	305mm x 457mm	12" x 18"	305mm x 457mm
I	Floor Cutout for Drain	12" x 4"	305mm x 102mm	12" x 4"	356mm x 102mm

**Electrical Specifications**

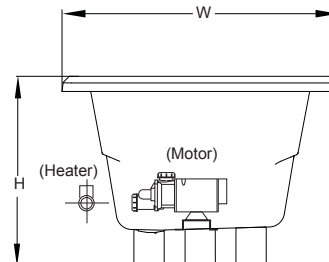
 Motor/Pump  
 Heater

**Each component requires a separate, dedicated GFCI protected circuit**

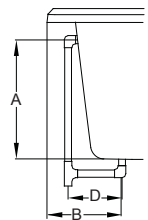
 120V 20A 60HZ  
 120V 15A 60HZ

**KEY DIMENSIONS**


Side View



End View



Drain/Overflow

Note: Drain installation is non-standard. Vertical overflow connection requires offset.

**Allusion™ Whirlpool Bath**
**Specifications for 6636, 7236 and 7242**

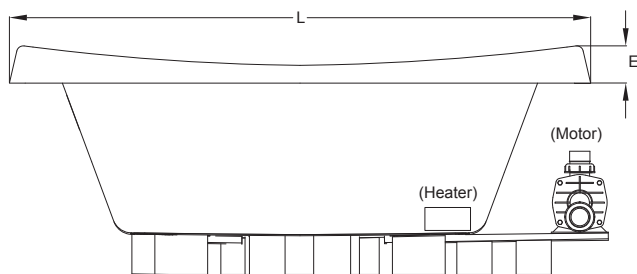
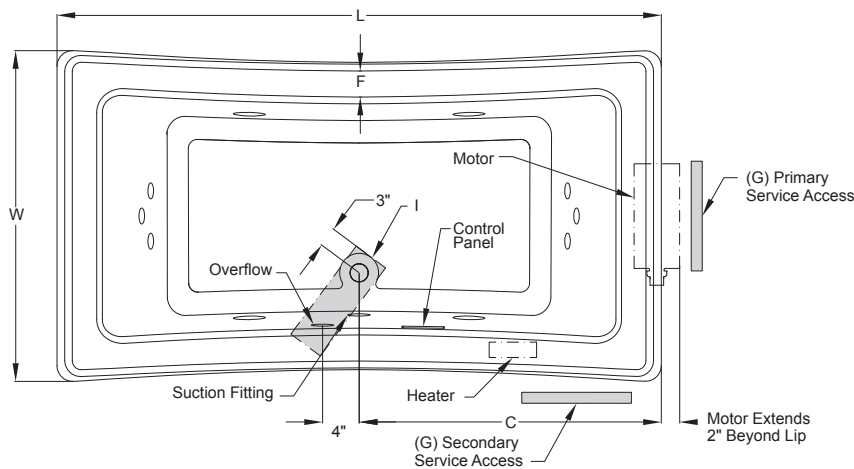
Letter	Description	6636		7236		7242	
		English	Metric	English	Metric	English	Metric
-	Drain/Motor Location	Center drain/Right end motor		Center drain/Right end motor		Center drain/Right end motor	
-	Cutout Template	Template provided P/N BY20000		Template provided P/N BY20000		Template provided P/N BY20000	
-	Total Weight	1015 lbs	461 kg	1138 lbs	517 kg	1251 lbs	588 kg
-	Floor Loading	61.5 lb/ft <sup>2</sup>	300 kg/m <sup>2</sup>	63.2 lb/ft <sup>2</sup>	308 kg/m <sup>2</sup>	59.6 lb/ft <sup>2</sup>	301.1 kg/m <sup>2</sup>
-	Operating Gallons (Min/Max)	56G / 75G	208L / 284L	61G / 83G	231L / 314L	74G / 95G	280L / 360L
-	Product Weight	140 lbs	64 kg	147 lbs	67 kg	160 lbs	73 kg
L	Outer Length	66"	1676mm	72"	1829mm	72"	1829mm
W	Outer Width	36"	914mm	36"	915mm	42"	1067mm
H	Overall Height	26"	660mm	26"	660mm	26"	660mm
A	Overflow Height	17 <sup>3</sup> / <sub>8</sub> "	441mm	17 <sup>3</sup> / <sub>8</sub> "	441mm	17 <sup>3</sup> / <sub>8</sub> "	441mm
B	Long Edge to Drain Center	11 <sup>1</sup> / <sub>8</sub> "	302mm	11 <sup>1</sup> / <sub>8</sub> "	305mm	11 <sup>1</sup> / <sub>8</sub> "	305mm
C	Short Edge to Drain Center	33"	838mm	36"	914mm	36"	914mm
D	Drain Shoe Length	6"	152mm	6"	152mm	6"	152mm
E	Deck Height	4"	102mm	4"	102mm	4"	102mm
F	Deck Width	3 <sup>3</sup> / <sub>8</sub> "	97mm	3 <sup>3</sup> / <sub>8</sub> "	97mm	3 <sup>3</sup> / <sub>8</sub> "	97mm
G	Service Access Dimensions	12" x 18"	305mm x 457mm	12" x 18"	305mm x 457mm	12" x 18"	305mm x 457mm
I	Floor Cutout for Drain	12" x 4"	305mm x 102mm	12" x 4"	305mm x 102mm	12" x 4"	305mm x 102mm

**Electrical Specifications**

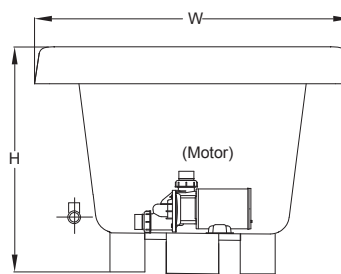
 Motor/Pump  
 Heater

**Each component requires a separate, dedicated GFCI protected circuit**

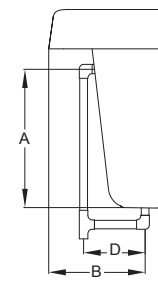
 120V 20A 60HZ  
 120V 15A 60HZ

**KEY DIMENSIONS**


Side View



End View



Drain/Overflow

**Bellavista™ Whirlpool Bath**
**Specifications for 6042, 6642 and 7242**

Letter	Description	6042		6642		7242	
		English	Metric	English	Metric	English	Metric
-	Drain/Motor Location	Center drain/Right end motor		Center drain/Right end motor		Center drain/Right or Left end motor	
-	Cutout Template	Template Provided P/N P187000		Template Provided P/N P187000		Template Provided P/N P187000	
-	Total Weight	1041 lbs	473 kg	1113 lbs	506 kg	1233 lbs	560 kg
-	Floor Loading	60.1 lb/ft <sup>2</sup>	293 kg/m <sup>2</sup>	57.8 lb/ft <sup>2</sup>	282 kg/m <sup>2</sup>	58.7 lb/ft <sup>2</sup>	286 kg/m <sup>2</sup>
-	Operating Gallons (Min/Max)	63G / 78G	238.5L / 295L	69G / 88G	261.2L / 333L	84G / 95G	318L / 360L
-	Product Weight	141 lbs	64 kg	130 lbs	59 kg	142 lbs	65 kg
L	Outer Length	59½"	1518mm	66"	1676mm	72"	1829mm
W	Outer Width	41½"	1060mm	42"	1067mm	42"	1067mm
H	Overall Height	26"	660mm	26"	660mm	26"	660mm
A	Overflow Height	20"	508mm	20"	508mm	20"	508mm
B	Long Edge to Drain Center	11¼"	298mm	11¼"	298mm	11¼"	298mm
C	Short Edge to Drain Center	32½"	826mm	35½"	902mm	36"	914mm
D	Drain Shoe Length	6"	152mm	6"	152mm	6"	152mm
E	Deck Height	2"	51mm	2"	51mm	2"	51mm
F	Deck Width	3"	76mm	3"	76mm	3"	76mm
G	Service Access Dimensions	12" x 18"	305mm x 457mm	12" x 18"	305mm x 457mm	12" x 18"	305mm x 457mm
I	Floor Cutout for Drain	17" x 4"	432mm x 102mm	17" x 4"	432mm x 102mm	17" x 4"	432mm x 102mm

**Electrical Specifications**

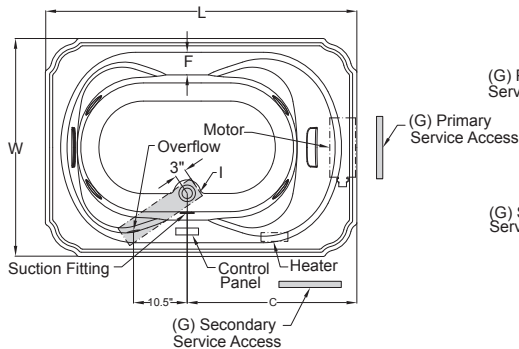
 Motor/Pump  
Heater

**Each component requires a separate, dedicated GFCI protected circuit**

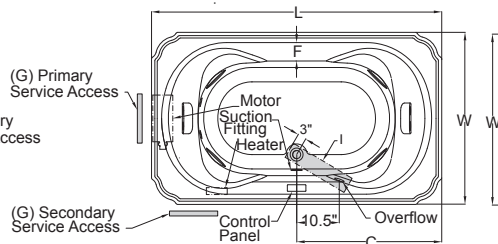
 120V 20A 60HZ  
120V 15A 60HZ

**KEY DIMENSIONS**

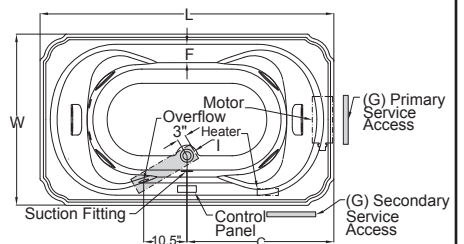
Bellavista RH 6042 &amp; 6646



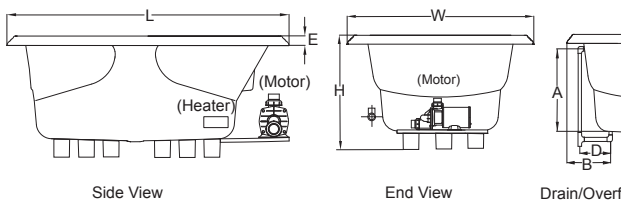
Bellavista LH 7242



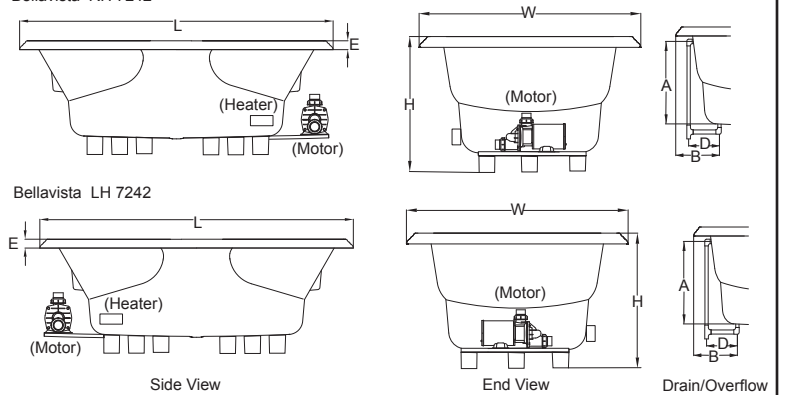
Bellavista RH 7242



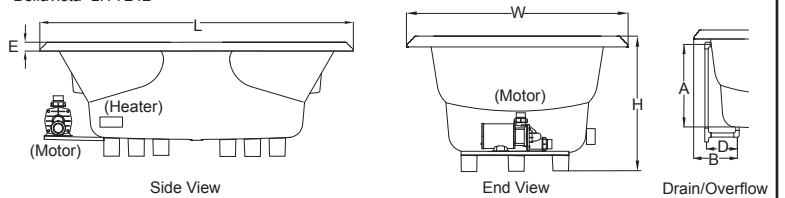
Bellavista RH 6042 &amp; 6646



Bellavista RH 7242



Bellavista LH 7242



# Bellavista™ Whirlpool Bath

## Specifications for 6060

6060

Letter	Description	English	Metric
-	Drain/Motor Location	Center drain/Right or Left side motor	
-	Cutout Template	Template Provided P/N P654000	
-	Total Weight	1226 lbs	557 kg
-	Floor Loading	49.5 lb/ft <sup>2</sup>	242 kg/m <sup>2</sup>
-	Operating Gallons (Min/Max)	80G / 92G	302.8L / 348L
-	Product Weight	160 lbs	73 kg
L	Outer Length	59¾"	1518mm
W	Outer Width	59¾"	1518mm
H	Overall Height	25"	635mm
A	Overflow Height	18⅞"	479mm
B	Long Edge to Drain Center	14"	356mm
C	Short Edge to Drain Center	34⅝"	879mm
D	Drain Shoe Length	7½"	191mm
E	Deck Height	2"	51mm
F	Deck Width	6"	152mm
G	Service Access Dimensions	12" x 18"	305mm x 457mm
I	Floor Cutout for Drain	12" x 4"	305mm x 102mm

English

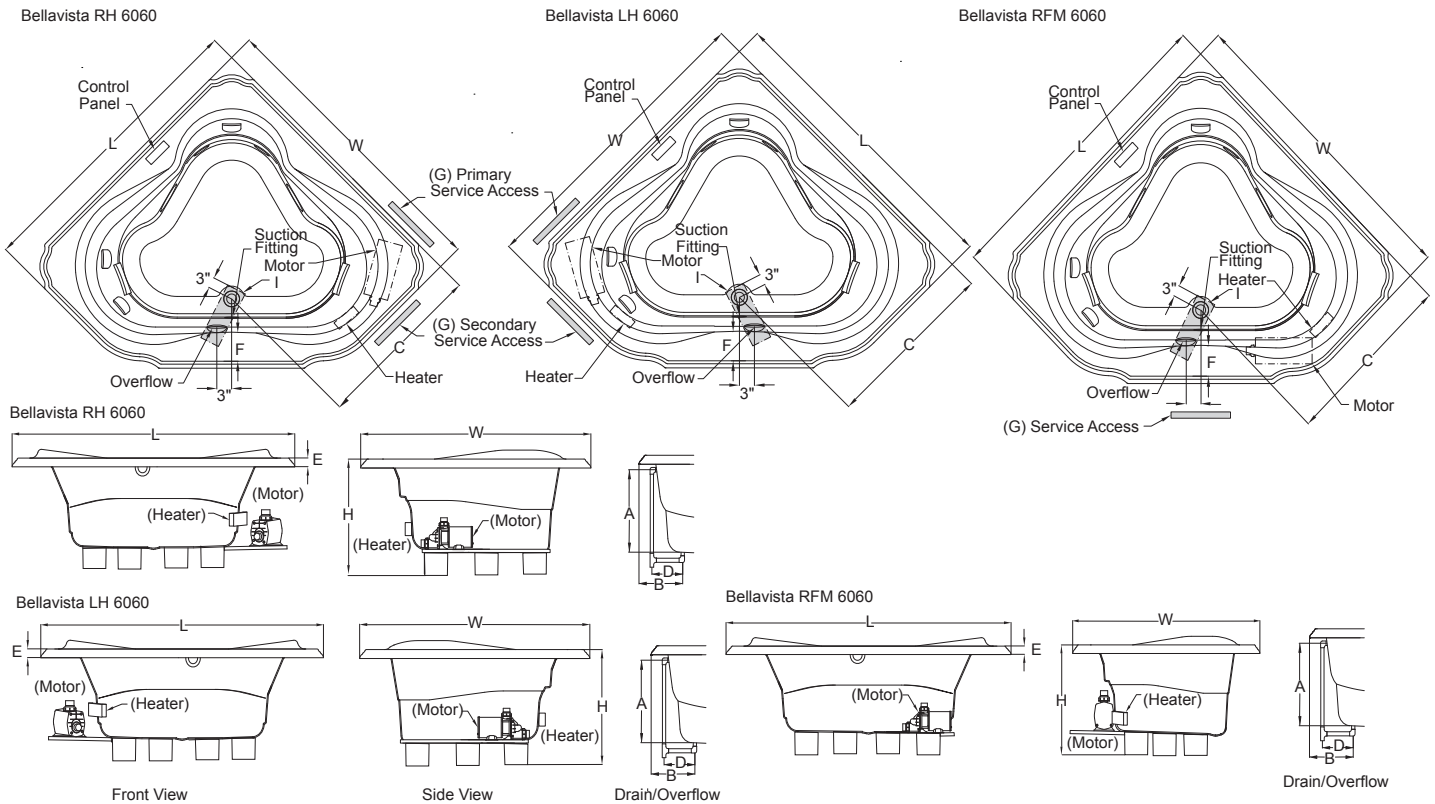
### Electrical Specifications

Motor/Pump  
Heater

Each component requires a separate, dedicated GFCI protected circuit

120V 20A 60HZ  
120V 15A 60HZ

### KEY DIMENSIONS



**Cortina™ Whirlpool Bath**
**Specifications for 7272**

7272

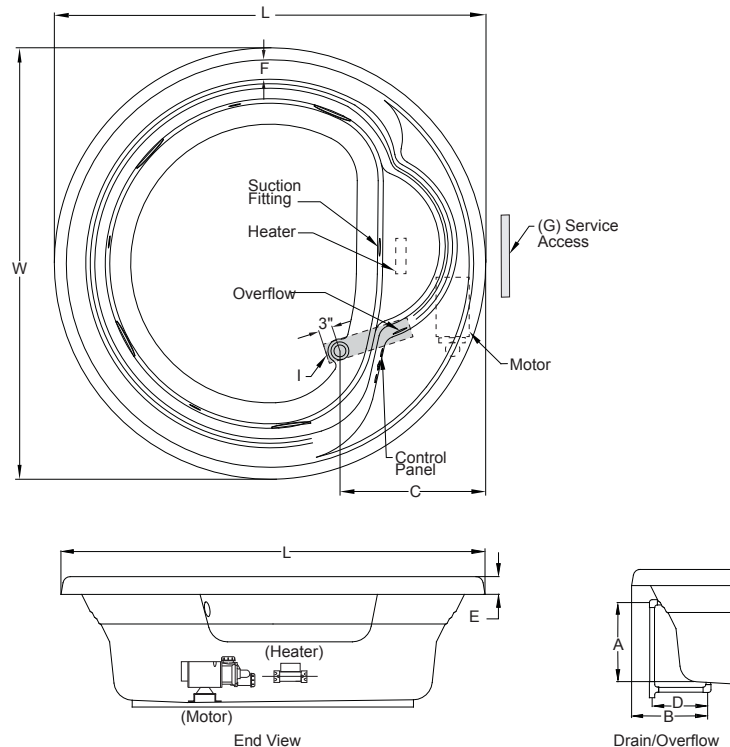
Letter	Description	English	Metric
-	Drain/Motor Location	Center drain/Right motor	
-	Cutout	70" Dia. Drop-In Cutout	
-	Total Weight	1485 lbs	674 kg
-	Floor Loading	41.2 lb/ft <sup>2</sup>	201.1 kg/m <sup>2</sup>
-	Operating Gallons (Min/Max)	87G / 117G	329L / 443L
-	Product Weight	210 lbs	95 kg
L	Outer Length	72"	1829mm
W	Outer Width	72"	1829mm
H	Overall Height	22½"	565mm
A	Overflow Height	16½"	425mm
B	Long Edge to Drain Center	19¼"	489mm
C	Short Edge to Drain Center	24½"	622mm
D	Drain Shoe Length	5"	127mm
E	Deck Height	2½"	64mm
F	Deck Width	6½"	165mm
G	Service Access Dimensions	12" x 18"	305mm x 457mm
I	Floor Cutout for Drain	14" x 4"	356mm x 102mm

**Electrical Specifications**

 Motor/Pump  
 Heater

Each component requires a separate, dedicated GFCI protected circuit

 120V 20A 60HZ  
 120V 15A 60HZ

**KEY DIMENSIONS**




**Duetta™ Whirlpool Bath**
**Specifications for 6042, 6636, 6642 and 7242**

Letter	Description	6042		6636		6642		7242	
		English	Metric	English	Metric	English	Metric	English	Metric
-	Drain/Motor Location	Center drain/Right end motor		Center drain/Right end motor		Center drain/Right end motor		Center drain/Right end motor	
-	Cutout Template	Template Provided P/N DA09000		Template Provided P/N DA08000		Template Provided P/N DA07000		Template Provided P/N DA06000	
-	Total Weight	1077 lbs	490 kg	1044 lbs	475 kg	1195 lbs	543 kg	1293 lbs	588 kg
-	Floor Loading	61.6 lb/ft <sup>2</sup>	301 kg/m <sup>2</sup>	63.3 lb/ft <sup>2</sup>	309 kg/m <sup>2</sup>	62.1 lb/ft <sup>2</sup>	303 kg/m <sup>2</sup>	61.6 lb/ft <sup>2</sup>	301 kg/m <sup>2</sup>
-	Operating Gallons (Min/Max)	70G / 83G	265L / 314L	75G / 79G	283.9L / 299L	90G / 97G	340.7L / 367L	97G / 108G	367.2L / 409L
-	Product Weight	136 lbs	62 kg	136 lbs	62 kg	137 lbs	62 kg	143 lbs	65 kg
L	Outer Length	60"	1524mm	66"	1676mm	66"	1829mm	72"	1829mm
W	Outer Width	42"	1067mm	36"	915mm	42"	1067mm	42"	1067mm
H	Overall Height	26"	660mm	26"	660mm	26"	660mm	26"	660mm
A	Overflow Height	18 3/4"	467mm	18 3/4"	467mm	18 3/4"	467mm	18 3/4"	467mm
B	Long Edge to Drain Center	11"	279mm	11"	279mm	11"	279mm	11"	279mm
C	Short Edge to Drain Center	30"	762mm	33"	838mm	33"	838mm	36"	915mm
D	Drain Shoe Length	7 1/4"	183mm	7 1/4"	183mm	7 1/4"	183mm	7 1/4"	183mm
E	Deck Height	1/2"	13mm	1/2"	13mm	1/2"	13mm	1/2"	13mm
F	Deck Width	3/8"	98mm	3/8"	98mm	3/8"	98mm	3/8"	98mm
G	Service Access Dimensions	12" x 18"	305mm x 457mm	12" x 18"	305mm x 457mm	12" x 18"	305mm x 457mm	12" x 18"	305mm x 457mm
I	Floor Cutout for Drain	13" x 4"	330mm x 102mm	13" x 4"	330mm x 102mm	13" x 4"	330mm x 102mm	13" x 4"	330mm x 102mm

**Electrical Specifications**

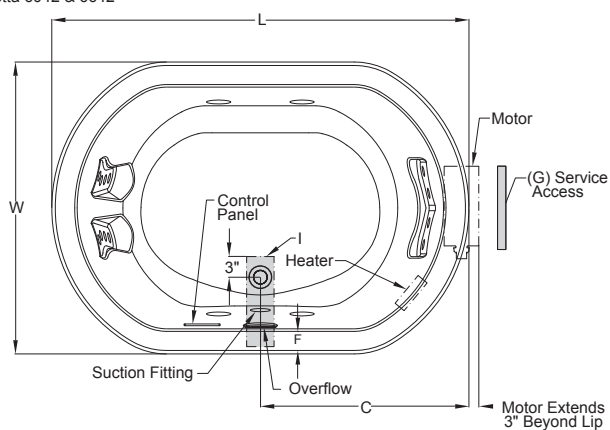
 Motor/Pump  
 Heater

**Each component requires a separate, dedicated GFCI protected circuit**

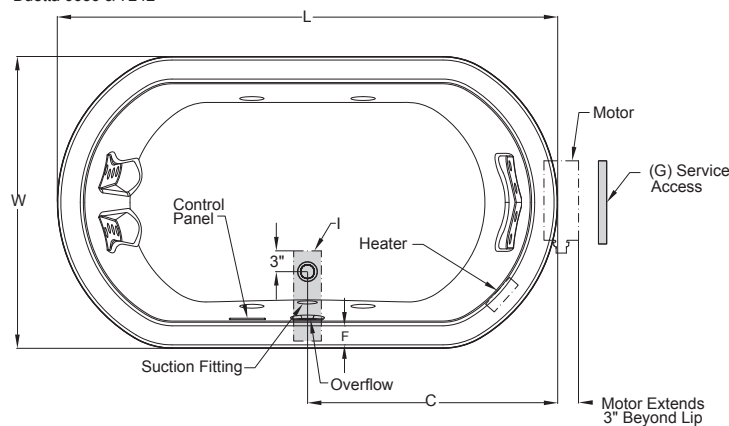
 120V 20A 60HZ  
 120V 15A 60HZ

**KEY DIMENSIONS**

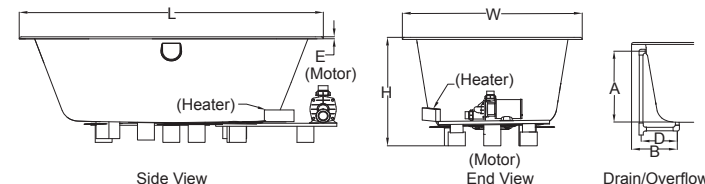
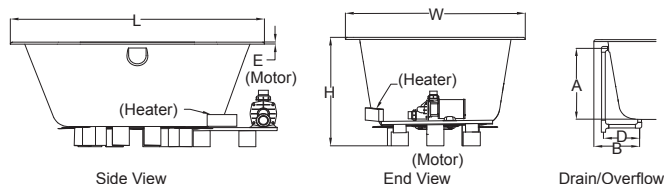
Duetta 6042 &amp; 6642



Duetta 6636 &amp; 7242



Note: Drain installation is non-standard. Vertical overflow connection requires offset.



**Elara™ Whirlpool Bath**
**Specifications for 6042, 6636 and 7242**

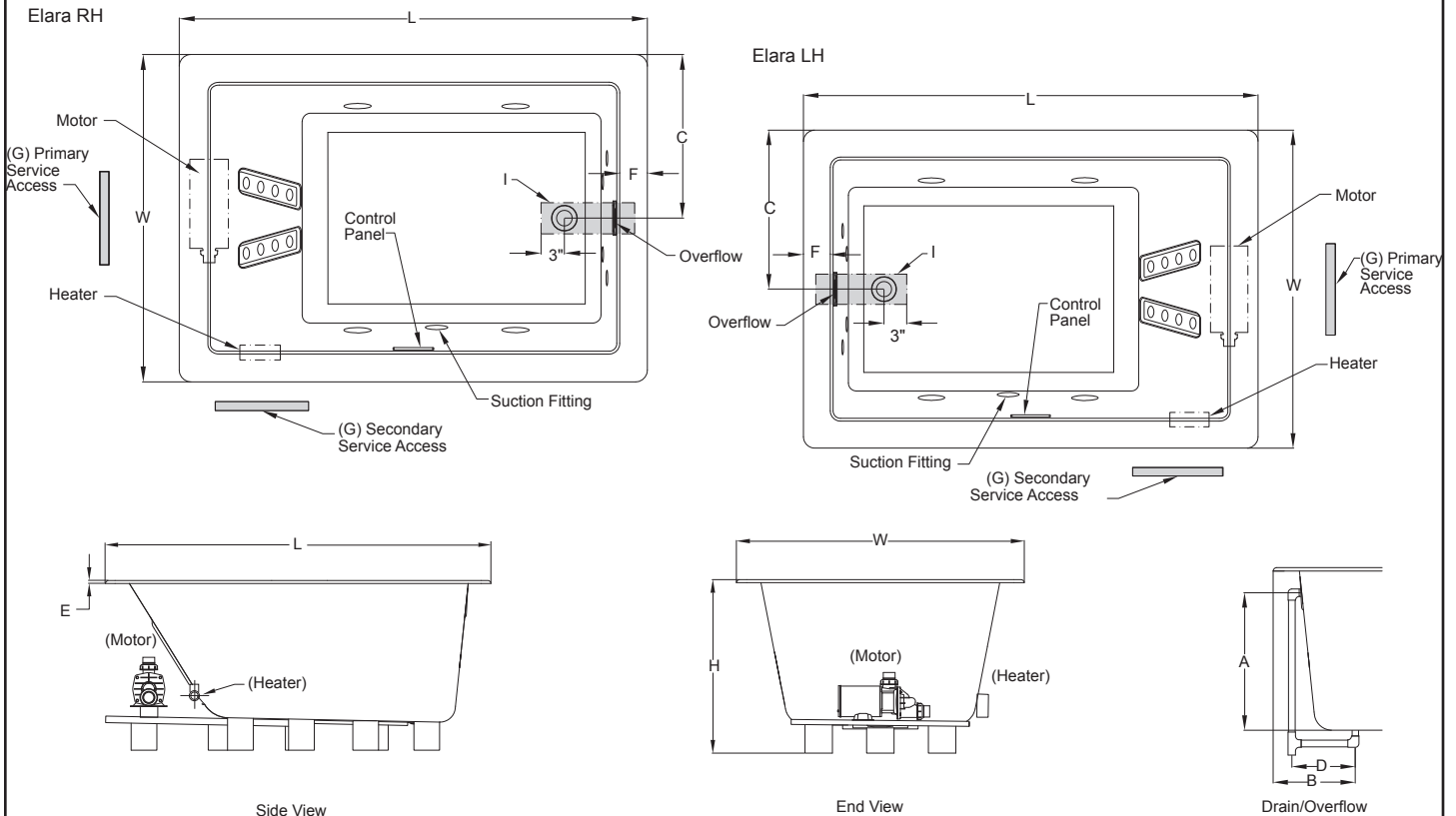
Letter	Description	6042		6636		7242	
		English	Metric	English	Metric	English	Metric
-	Drain/Motor Location	End drain/Right or Left end motor		End drain/Right or Left end motor		End drain/Right or Left end motor	
-	Cutout	Template Provided P/N DQ50000 58" x 40" Drop-In Cutout		Template Provided P/N DQ51000 64" x 34" Drop-In Cutout		Template Provided P/N BZ50000 70" x 40" Drop-In Cutout	
-	Total Weight	1168 lbs	531 kg	1133 lbs	515 kg	1388 lbs	631 kg
-	Floor Loading	66.7 lb/ft <sup>2</sup>	325 kg/m <sup>2</sup>	68.7 lb/ft <sup>2</sup>	335 kg/m <sup>2</sup>	66.1 lb/ft <sup>2</sup>	323 kg/m <sup>2</sup>
-	Operating Gallons (Min/Max)	83G/ 94G	314.2L / 356L	78G/ 89G	295.3L / 337L	107G/ 117G	405L / 443L
-	Product Weight	135 lbs	61 kg	142 lbs	65 kg	163 lbs	74 kg
L	Outer Length	60"	1524mm	66"	1676mm	72"	1829mm
W	Outer Width	42"	1067mm	36"	915mm	42"	1067mm
H	Overall Height	26"	660mm	26"	660mm	26"	660mm
A	Overflow Height	18½"	470mm	18½"	470mm	18½"	470mm
B	Long Edge to Drain Center	10⅝"	269mm	10⅝"	269mm	10⅝"	269mm
C	Short Edge to Drain Center	21"	533mm	18"	457mm	21"	533mm
D	Drain Shoe Length	6"	152mm	6"	152mm	6"	152mm
E	Deck Height	½"	13mm	½"	13mm	½"	13mm
F	Deck Width	4¼"	107mm	4¼"	107mm	4¼"	107mm
G	Service Access Dimensions	12" x 18"	305mm x 457mm	12" x 18"	305mm x 457mm	12" x 18"	305mm x 457mm
I	Floor Cutout for Drain	12" x 4"	305mm x 102mm	12" x 4"	305mm x 102mm	12" x 4"	305mm x 102mm

**Electrical Specifications**

 Motor/Pump  
 Heater

**Each component requires a separate, dedicated GFCI protected circuit**

 120V 20A 60HZ  
 120V 15A 60HZ

**KEY DIMENSIONS**


# Fuzion™ Whirlpool Bath

## Specifications for 7236 and 7242

Letter	Description	7236		7242	
		English	Metric	English	Metric
-	Drain/Motor Location	End drain/Right or Left end motor		Center drain/Right end motor	
-	Cutout	Template Provided P/N DD42000 69" x 33" Drop-In Cutout		Template Provided P/N GR23000 70" x 40" Drop-In Cutout	
-	Total Weight	1210 lbs	550 kg	1324 lbs	602 kg
-	Floor Loading	69.6 lb/ft <sup>2</sup>	340 kg/m <sup>2</sup>	63 lb/ft <sup>2</sup>	307 kg/m <sup>2</sup>
-	Operating Gallons (Min/Max)	77G / 99G	291.5L / 375L	82G / 108G	310.4L / 409L
-	Product Weight	135 lbs	61 kg	174 lbs	79 kg
L	Outer Length	70¾"	1797mm	72"	1829mm
W	Outer Width	35½"	902mm	42"	1067mm
H**	Overall Height	24"	610mm	24"	610mm
A	Overflow Height	17"	432mm	17"	432mm
B	Long Edge to Drain Center	10¼"	260mm	10¼"	260mm
C	Short Edge to Drain Center	17 ⅞ "	447mm	36"	914mm
D	Drain Shoe Length	7"	178mm	8½"	216mm
E**	Deck Height	4"	102mm	4"	102mm
F	Deck Width	3"	76mm	3½"	89mm
G	Service Access Dimensions	12" x 18"	305mm x 457mm	12" x 18"	305mm x 457mm
I	Floor Cutout for Drain	12" x 4"	305mm x 102mm	18½" x 4"	470mm x 102mm

### Electrical Specifications

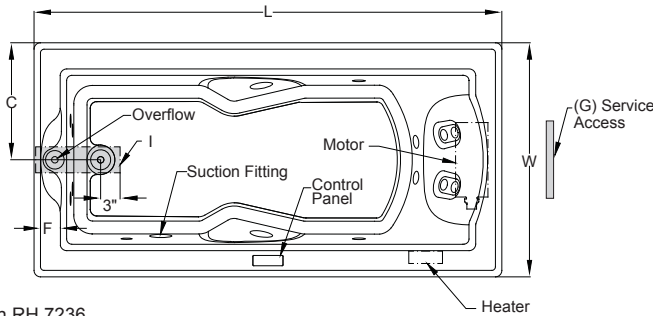
Motor/Pump  
Heater

Each component requires a separate, dedicated GFCI protected circuit

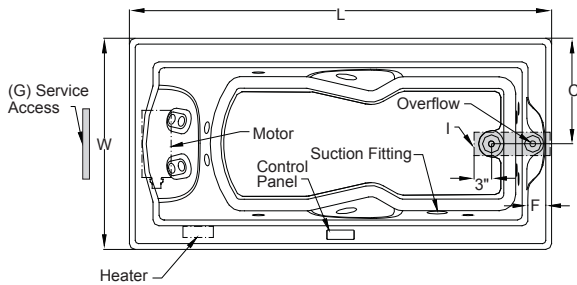
120V 20A 60HZ  
120V 15A 60HZ

### KEY DIMENSIONS

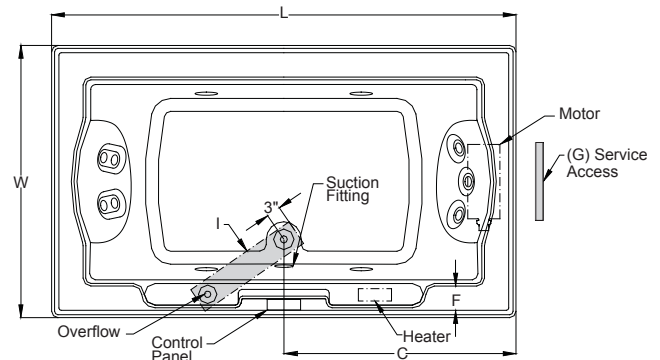
Fuzion LH 7236



Fuzion RH 7236

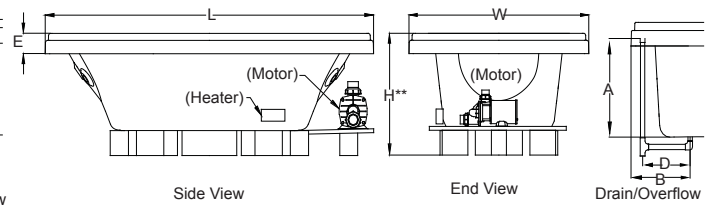
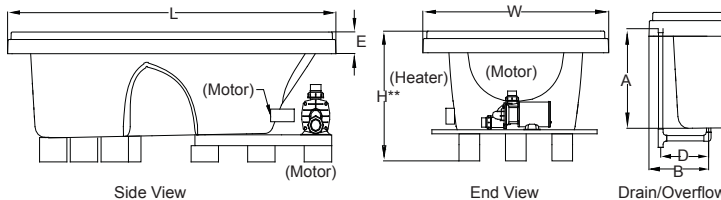


Fuzion 7242



Note: Drain included. Non-standard installation, refer to manual.

Fuzion LH 7236

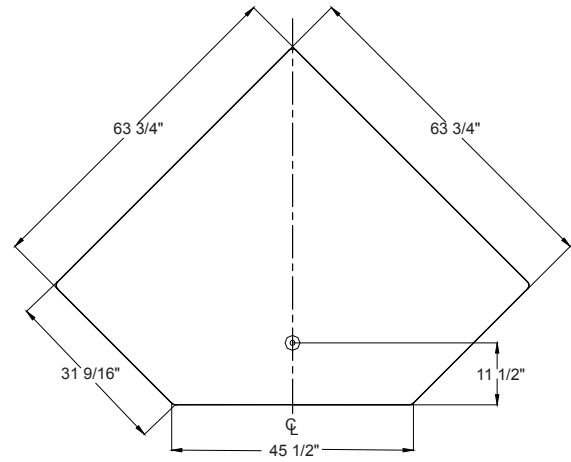


\*\*Height of tub only, optional wood frame adds 1.25"

**Fuzion™ Whirlpool Bath**
**Specifications for 6666**
**6666**

Letter	Description	English	Metric
-	Drain/Motor Location	Center drain/Right or Left side motor	
-	Cutout	Template Provided P/N DD43000 See Drop-In Diagram	
-	Total Weight	1773 lbs	806 kg
-	Floor Loading	59.1 lb/ft <sup>2</sup>	288 kg/m <sup>2</sup>
-	Operating Gallons (Min/Max)	119G / 148G	451L / 560L
-	Product Weight	190 lbs	86 kg
L	Outer Length	65 <sup>3</sup> / <sub>4</sub> "	1670mm
W	Outer Width	65 <sup>3</sup> / <sub>4</sub> "	1670mm
H**	Overall Height	24"	610mm
A	Overflow Height	16 <sup>5</sup> / <sub>8</sub> "	427mm
B	Long Edge to Drain Center	12 <sup>1</sup> / <sub>2</sub> "	308mm
C	Short Edge to Drain Center	40 <sup>5</sup> / <sub>8</sub> "	1039mm
D	Drain Shoe Length	9 <sup>1</sup> / <sub>4</sub> "	234mm
E**	Deck Height	4"	102mm
F	Deck Width	3 <sup>1</sup> / <sub>2</sub> "	89mm
G	Service Access Dimensions	12" x 18"	305mm x 457mm
I	Floor Cutout for Drain	20" x 4"	508mm x 102mm

Fuzion 6666 Drop-In Cutout


**Electrical Specifications**

 Motor/Pump  
Heater

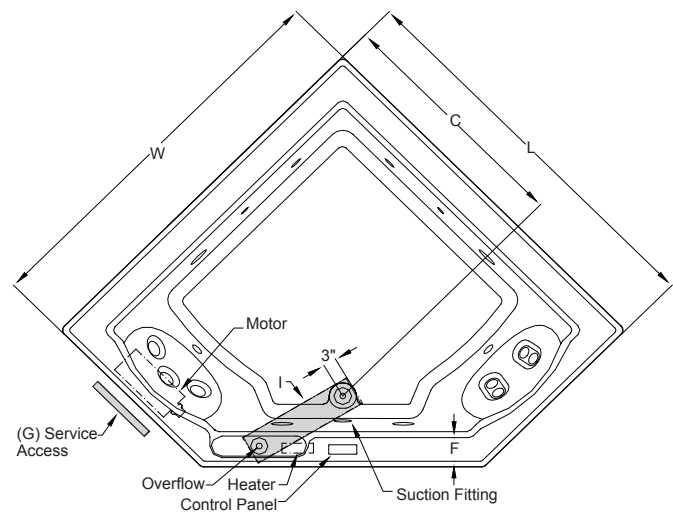
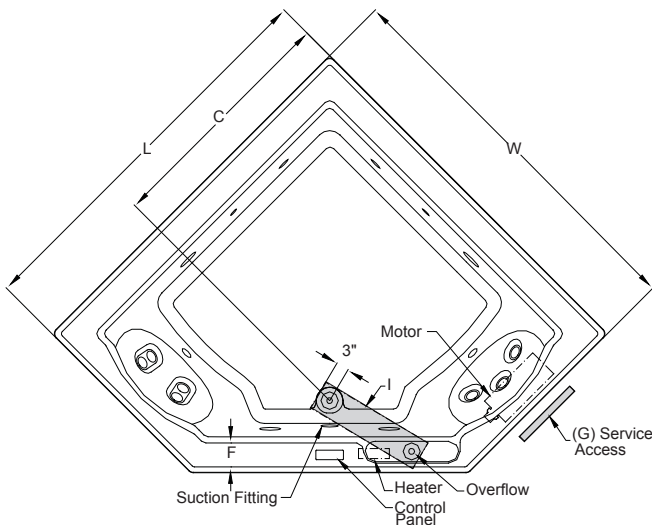
**Each component requires a separate, dedicated GFCI protected circuit**

 120V 20A 60HZ  
120V 15A 60HZ

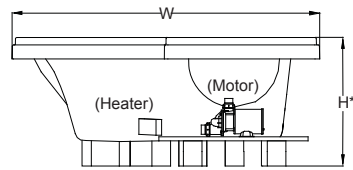
**KEY DIMENSIONS**

Fuzion RH 6666

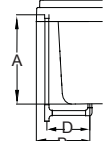
Fuzion LH 6666



Side View



End View


 Note: Drain included.  
Non-standard installation,  
refer to manual.

Drain/Overflow

\*\*Height of tub only, optional wood frame adds 1.25"

# Fuzion™ Whirlpool Bath

## Specifications for 7260

7260

Letter	Description	English	Metric
-	Drain/Motor Location	Center drain/Right or left side motor	
-	Cutout	Template Provided P/N DD44000 70" x 58" Drop-In Cutout	
-	Total Weight	1790 lbs	811 kg
-	Floor Loading	60.1 lb/ft <sup>2</sup>	293 kg/m <sup>2</sup>
-	Operating Gallons (Min/Max)	110G/ 148G	417L / 560L
-	Product Weight	207 lbs	94 kg
L	Outer Length	71¾"	1822mm
W	Outer Width	59¾"	1518mm
H**	Overall Height	24"	610mm
A	Overflow Height	16¾"	425mm
B	Long Edge to Drain Center	12 ⅙"	306mm
C	Short Edge to Drain Center	36"	915mm
D	Drain Shoe Length	8½"	216mm
E**	Deck Height	4"	102mm
F	Deck Width	3½"	89mm
G	Service Access Dimensions	12" x 18"	305mm x 457mm
I	Floor Cutout for Drain	18½" x 4"	470mm x 102mm

### Electrical Specifications

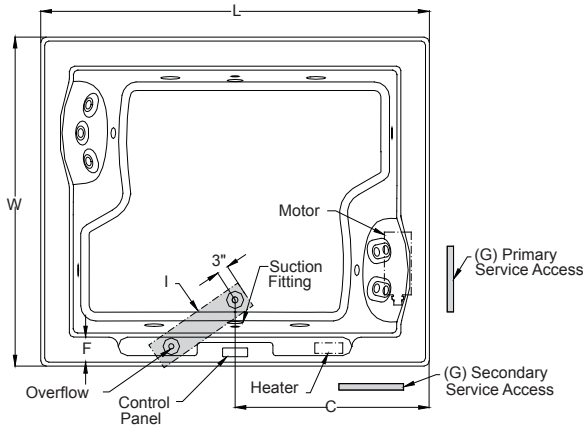
Motor/Pump  
Heater

Each component requires a separate, dedicated GFCI protected circuit

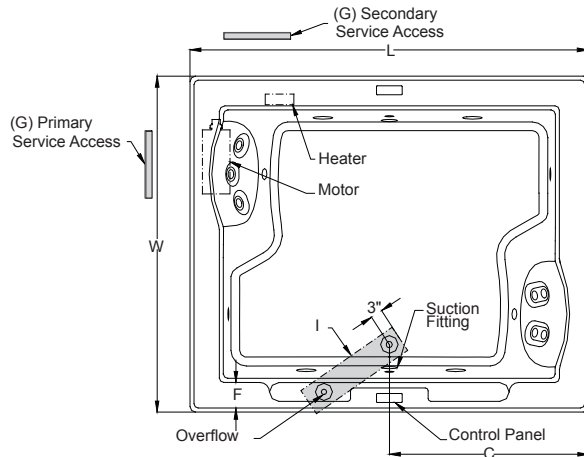
120V 20A 60HZ  
120V 15A 60HZ

## KEY DIMENSIONS

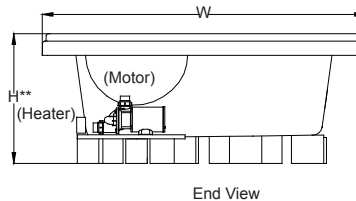
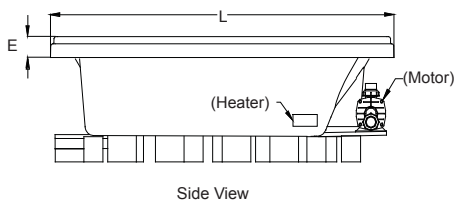
Fuzion RH 7260



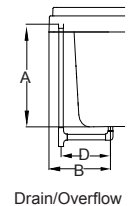
Fuzion LH 7260



Fuzion RH 7260



Note: Drain included.  
Non-standard installation,  
refer to manual.



\*\*Height of tub only, optional wood frame adds 1.25"

**Fuzion™ Whirlpool Bath**
**Specifications for 7260 DUAL ZONE**
**7260**

Letter	Description	English	Metric
-	Drain/Motor Location	Center drain/Right and left side motor	
-	Cutout	Template Provided P/N DD44000 70" x 58" Drop-In Cutout	
-	Total Weight	1825 lbs	829 kg
-	Floor Loading	61.3 lb/ft <sup>2</sup>	299.1 kg/m <sup>2</sup>
-	Operating Gallons (Min/Max)	110G/ 148G	417L / 560L
-	Product Weight	242 lbs	110 kg
L	Outer Length	71¾"	1822mm
W	Outer Width	59¾"	1518mm
H**	Overall Height	24"	610mm
A	Overflow Height	16¾"	425mm
B	Long Edge to Drain Center	12½"	306mm
C	Short Edge to Drain Center	36"	915mm
D	Drain Shoe Length	8½"	216mm
E**	Deck Height	4"	102mm
F	Deck Width	3½"	89mm
G	Service Access Dimensions	12" x 18"	305mm x 457mm
I	Floor Cutout for Drain	18½" x 4"	470mm x 102mm

**Electrical Specifications**

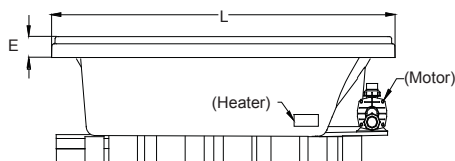
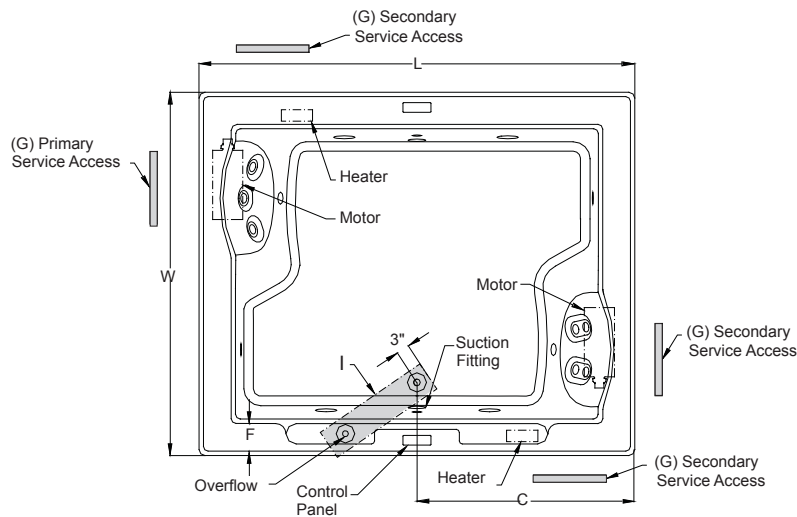
 Motor/Pump  
 Heater

**Each component requires a separate, dedicated GFCI protected circuit**

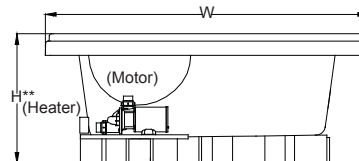
 230V 20A 60HZ (2X)  
 120V 15A 60HZ (2X)

**KEY DIMENSIONS**

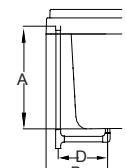
Fuzion Dual 7260



Side View



End View



Drain/Overflow

 Note: Drain included.  
 Non-standard installation,  
 refer to manual.

\*\*Height of tub only, optional wood frame adds 1.25"

**Mio™ Whirlpool Bath**
**Specifications for 6636 and 7242**

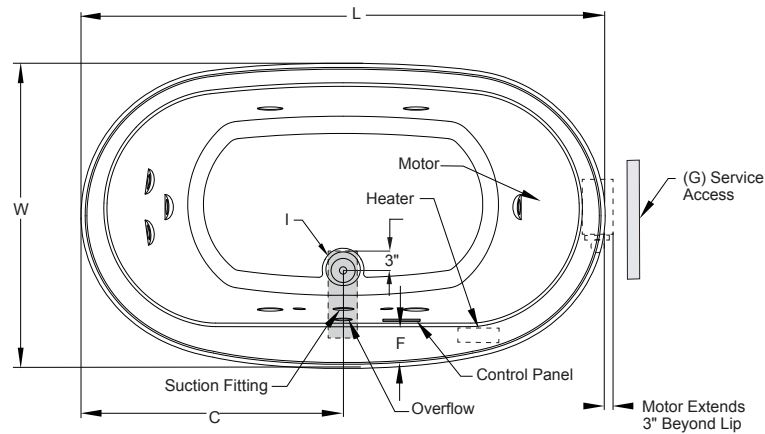
Letter	Description	6636		7242	
		English	Metric	English	Metric
-	Drain/Motor Location	Center drain/Right end motor		Center drain/Right end motor	
-	Cutout Template	Template Provided P/N HQ96000		Template Provided P/N HR36000	
-	Total Weight	961 lbs	436 kg	1125 lbs	511 kg
-	Floor Loading	58.2 lb/ft <sup>2</sup>	284 kg/m <sup>2</sup>	53.6 lb/ft <sup>2</sup>	261.5 kg/m <sup>2</sup>
-	Operating Gallons (Min/Max)	48G/ 70G	181.7L / 265L	54G/ 87G	204L/ 329L
-	Product Weight	128 lbs	58 kg	150 lbs	68 kg
L	Outer Length	66"	1676mm	72"	1829mm
W	Outer Width	36"	915mm	42"	1067mm
H	Overall Height	25"	635mm	25"	635mm
A	Overflow Height	17 <sup>7</sup> / <sub>8</sub> "	454mm	17 <sup>7</sup> / <sub>8</sub> "	454mm
B	Long Edge to Drain Center	13 <sup>1</sup> / <sub>8</sub> "	340mm	13 <sup>1</sup> / <sub>8</sub> "	340mm
C	Short Edge to Drain Center	33"	838mm	36"	915mm
D	Drain Shoe Length	6 <sup>5</sup> / <sub>8</sub> "	173mm	6 <sup>5</sup> / <sub>8</sub> "	173mm
E	Deck Height	2"	51mm	2"	51mm
F	Deck Width	6 <sup>5</sup> / <sub>8</sub> "	168mm	6 <sup>5</sup> / <sub>8</sub> "	168mm
G	Service Access Dimensions	12" x 18"	305mm x 457mm	12" x 18"	305mm x 457mm
I	Floor Cutout for Drain	12" x 4"	305mm x 102mm	12" x 4"	305mm x 102mm

**Electrical Specifications**

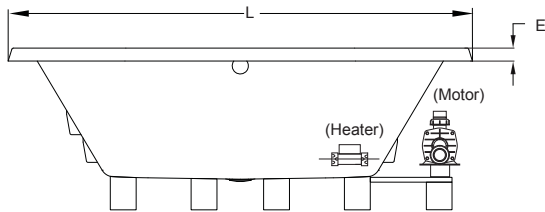
 Motor/Pump  
 Heater

**Each component requires a separate, dedicated GFCI protected circuit**

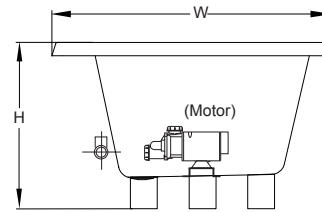
 120V 20A 60HZ  
 120V 15A 60HZ

**KEY DIMENSIONS**


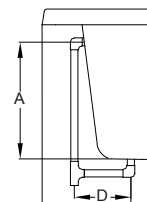
Note: Drain installation is non-standard. Vertical overflow connection requires offset.



Side View



End View



Drain/Overflow

**Reaì™ Whirlpool Bath**
**Specifications for 7242**

7242

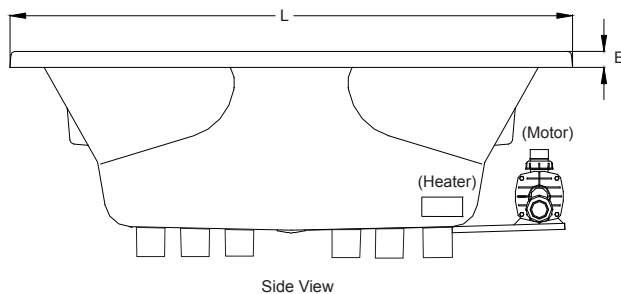
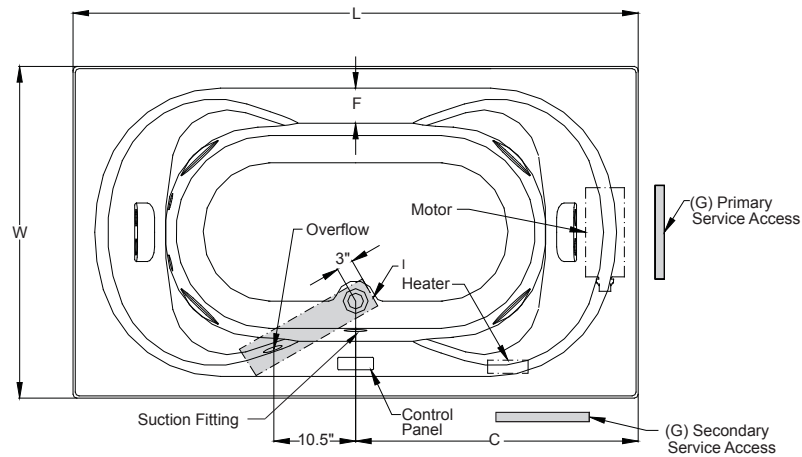
Letter	Description	English	Metric
-	Drain/Motor Location	Center drain/Right end motor	
-	Cutout	70" x 40" Drop-In Cutout	
-	Total Weight	1180 lbs	536 kg
-	Floor Loading	56.2 lb/ft <sup>2</sup>	274 kg/m <sup>2</sup>
-	Operating Gallons (Min/Max)	84G/ 95G	318L / 360L
-	Product Weight	139 lbs	63 kg
L	Outer Length	72"	1829mm
W	Outer Width	42"	1067mm
H	Overall Height	26"	660mm
A	Overflow Height	20"	508mm
B	Long Edge to Drain Center	14"	356mm
C	Short Edge to Drain Center	36"	914mm
D	Drain Shoe Length	8¾"	222mm
E	Deck Height	2"	51mm
F	Deck Width	3"	76mm
G	Service Access Dimensions	12" x 18"	305mm x 457mm
I	Floor Cutout for Drain	18" x 4"	457mm x 102mm

**Electrical Specifications**

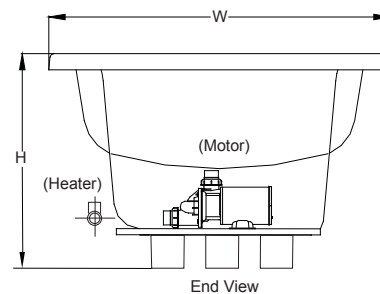
 Motor/Pump  
 Heater

**Each component requires a separate, dedicated GFCI protected circuit**

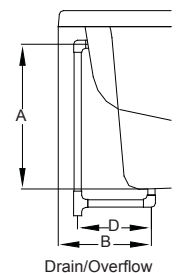
 120V 20A 60HZ  
 120V 15A 60HZ

**KEY DIMENSIONS**


Side View



End View



Drain/Overflow



**Sabella™ Whirlpool Bath**
**Specifications for 7247**

7247

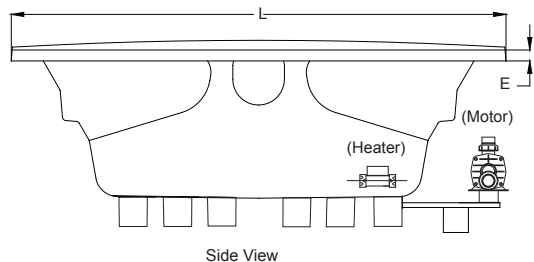
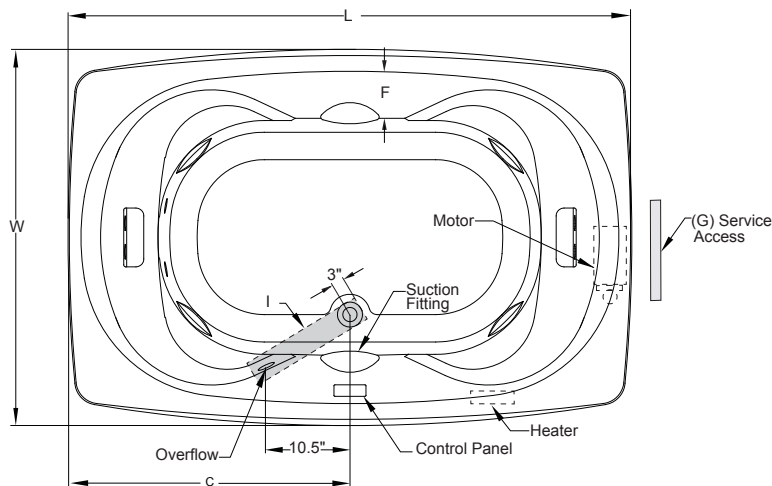
Letter	Description	English	Metric
-	Drain/Motor Location	Center drain/Right end motor	
-	Cutout Template	Template Provided P/N P187000	
-	Total Weight	1320 lbs	600 kg
-	Floor Loading	56.2 lb/ft <sup>2</sup>	274 kg/m <sup>2</sup>
-	Operating Gallons (Min/Max)	97G / 109G	368L / 413L
-	Product Weight	162 lbs	74 kg
L	Outer Length	72"	1829mm
W	Outer Width	47"	1194mm
H	Overall Height	26½"	673mm
A	Overflow Height	20"	508mm
B	Long Edge to Drain Center	14"	356mm
C	Short Edge to Drain Center	36"	915mm
D	Drain Shoe Length	6¾"	171mm
E	Deck Height	2"	51mm
F	Deck Width	3"	76mm
G	Service Access Dimensions	12" x 18"	305mm x 457mm
I	Floor Cutout for Drain	18" x 4"	457mm x 102mm

**Electrical Specifications**

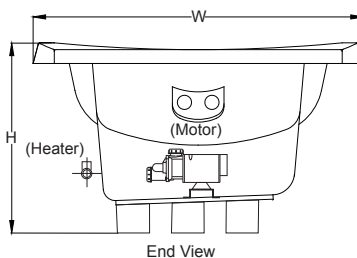
 Motor/Pump  
 Heater

Each component requires a separate, dedicated GFCI protected circuit

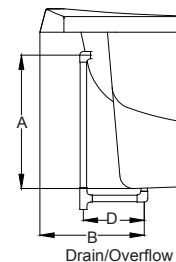
 120V 20A 60HZ  
 120V 15A 60HZ

**KEY DIMENSIONS**


Side View



End View



Drain/Overflow

**Salerno™ Whirlpool Bath**
**Specifications for 6636 and 7242**

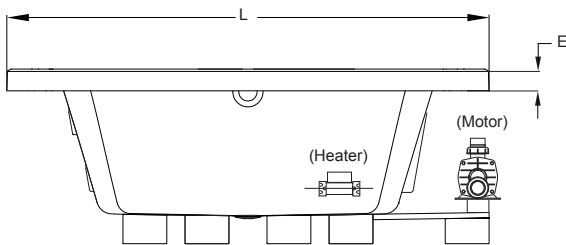
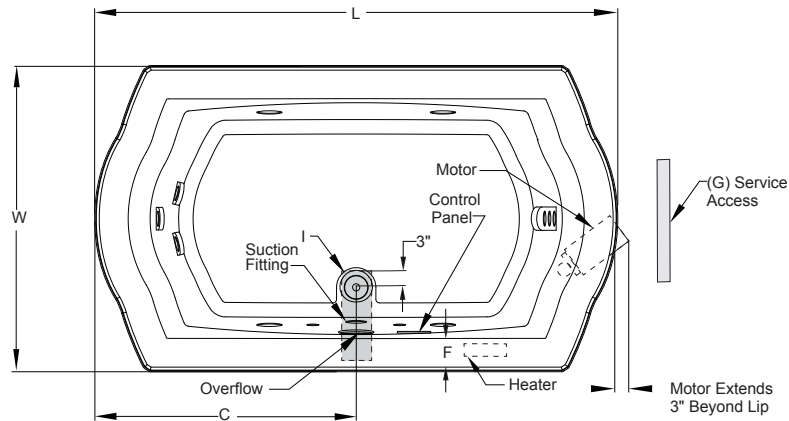
Letter	Description	6636		7242	
		English	Metric	English	Metric
-	Drain/Motor Location	Center drain/Right end motor		Center drain/Right end motor	
-	Cutout Template	Template Provided P/N GX46000		Template Provided P/N HA76000	
-	Total Weight	920 lbs	418 kg	1160 lbs	527 kg
-	Floor Loading	55.8 lb/ft <sup>2</sup>	272 kg/m <sup>2</sup>	55.3 lb/ft <sup>2</sup>	270 kg/m <sup>2</sup>
-	Operating Gallons (Min/Max)	59G / 62G	223.3L / 235L	84G / 89G	318L / 337L
-	Product Weight	154 lbs	70 kg	169 lbs	77 kg
L	Outer Length	66"	1676mm	72"	1829mm
W	Outer Width	36"	915mm	42"	1067mm
H	Overall Height	25"	635mm	25"	635mm
A	Overflow Height	17 1/8"	443mm	17 1/8"	443mm
B	Long Edge to Drain Center	11 3/8"	294mm	11 3/8"	294mm
C	Short Edge to Drain Center	33"	838mm	36"	915mm
D	Drain Shoe Length	6 1/2"	165mm	6 1/2"	165mm
E	Deck Height	3"	76mm	3"	76mm
F	Deck Width	5"	127mm	5"	127mm
G	Service Access Dimensions	12" x 18"	305mm x 457mm	12" x 18"	305mm x 457mm
I	Floor Cutout for Drain	12" x 4"	305mm x 102mm	12" x 4"	305mm x 102mm

**Electrical Specifications**

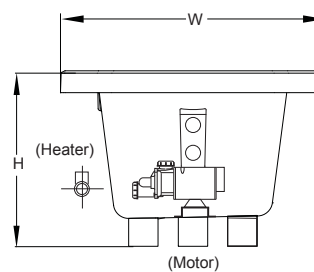
 Motor/Pump  
 Heater

**Each component requires a separate, dedicated GFCI protected circuit**

 120V 20A 60HZ  
 120V 15A 60HZ

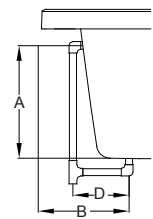
**KEY DIMENSIONS**


Side View



End View

Note: Drain installation is non-standard. Vertical overflow connection requires offset.



Drain/Overflow

**Sia™ Whirlpool Bath**
**Specifications for 6636 and 7242**

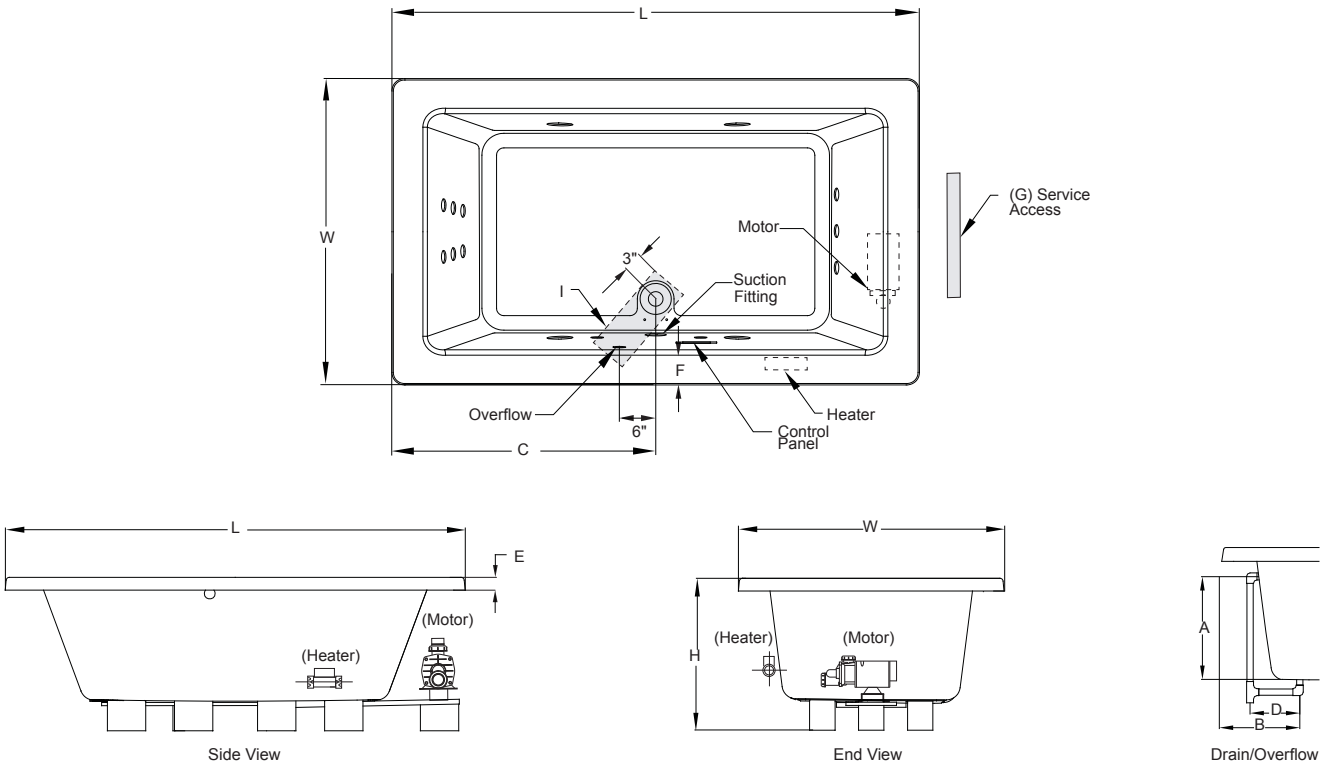
Letter	Description	6636		7242	
		English	Metric	English	Metric
-	Drain/Motor Location	Center drain/Right end motor		Center drain/Right end motor	
-	Cutout	Template Provided P/N GU50000 64" x 34" Drop-In Cutout		Template Provided P/N GU50000 70" x 40" Drop-In Cutout	
-	Total Weight	1033 lbs	470 kg	1312 lbs	596 kg
-	Floor Loading	62.6 lb/ft <sup>2</sup>	305 kg/m <sup>2</sup>	62.5 lb/ft <sup>2</sup>	305 kg/m <sup>2</sup>
-	Operating Gallons (Min/Max)	65G/ 76G	246.1L / 288L	89G/ 102G	337L / 386L
-	Product Weight	150 lbs	68 kg	162 lbs	74 kg
L	Outer Length	66"	1676mm	72"	1829mm
W	Outer Width	36"	915mm	42"	1067mm
H	Overall Height	24"	610mm	24"	610mm
A	Overflow Height	17¼"	451mm	17¼"	451mm
B	Long Edge to Drain Center	11½"	292mm	11½"	292mm
C	Short Edge to Drain Center	33"	838mm	36"	915mm
D	Drain Shoe Length	6½"	165mm	6½"	165mm
E	Deck Height	2"	51mm	2"	51mm
F	Deck Width	5"	127mm	5"	127mm
G	Service Access Dimensions	12" x 18"	305mm x 457mm	12" x 18"	305mm x 457mm
I	Floor Cutout for Drain	14" x 4"	356mm x 102mm	14" x 4"	356mm x 102mm

**Electrical Specifications**

 Motor/Pump  
 Heater

**Each component requires a separate, dedicated GFCI protected circuit**

 120V 20A 60HZ  
 120V 15A 60HZ

**KEY DIMENSIONS**


**Venicia™ Whirlpool Bath**
**Specifications for 7242**

7242

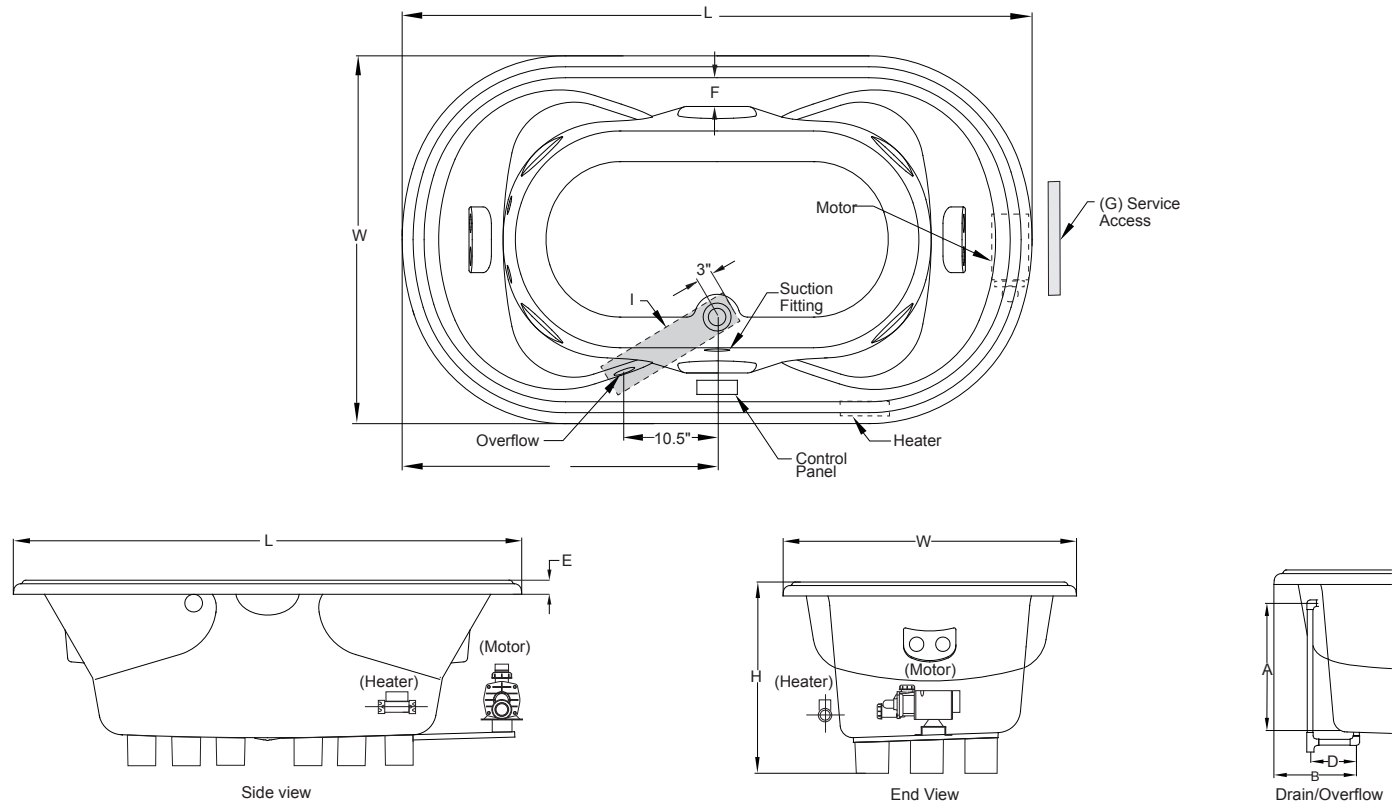
Letter	Description	English	Metric
-	Drain/Motor Location	Center drain/Right end motor	
-	Cutout Template	Template Provided P/N P187000	
-	Total Weight	1198 lbs	545 kg
-	Floor Loading	57 lb/ft <sup>2</sup>	278 kg/m <sup>2</sup>
-	Operating Gallons (Min/Max)	85G / 97G	322L / 368L
-	Product Weight	140 lbs	64 kg
L	Outer Length	72"	1829mm
W	Outer Width	42"	1067mm
H	Overall Height	26"	660mm
A	Overflow Height	20"	508mm
B	Long Edge to Drain Center	14"	356mm
C	Short Edge to Drain Center	36"	915mm
D	Drain Shoe Length	6 1/4"	175mm
E	Deck Height	2"	51mm
F	Deck Width	5"	127mm
G	Service Access Dimensions	12" x 18"	305mm x 457mm
I	Floor Cutout for Drain	18" x 4"	457mm x 102mm

**Electrical Specifications**

 Motor/Pump  
 Heater

**Each component requires a separate, dedicated GFCI protected circuit**

 120V 20A 60HZ  
 120V 15A 60HZ

**KEY DIMENSIONS**


## Free Manuals Download Website

<http://myh66.com>

<http://usermanuals.us>

<http://www.somanuals.com>

<http://www.4manuals.cc>

<http://www.manual-lib.com>

<http://www.404manual.com>

<http://www.luxmanual.com>

<http://aubethermostatmanual.com>

Golf course search by state

<http://golfingnear.com>

Email search by domain

<http://emailbydomain.com>

Auto manuals search

<http://auto.somanuals.com>

TV manuals search

<http://tv.somanuals.com>