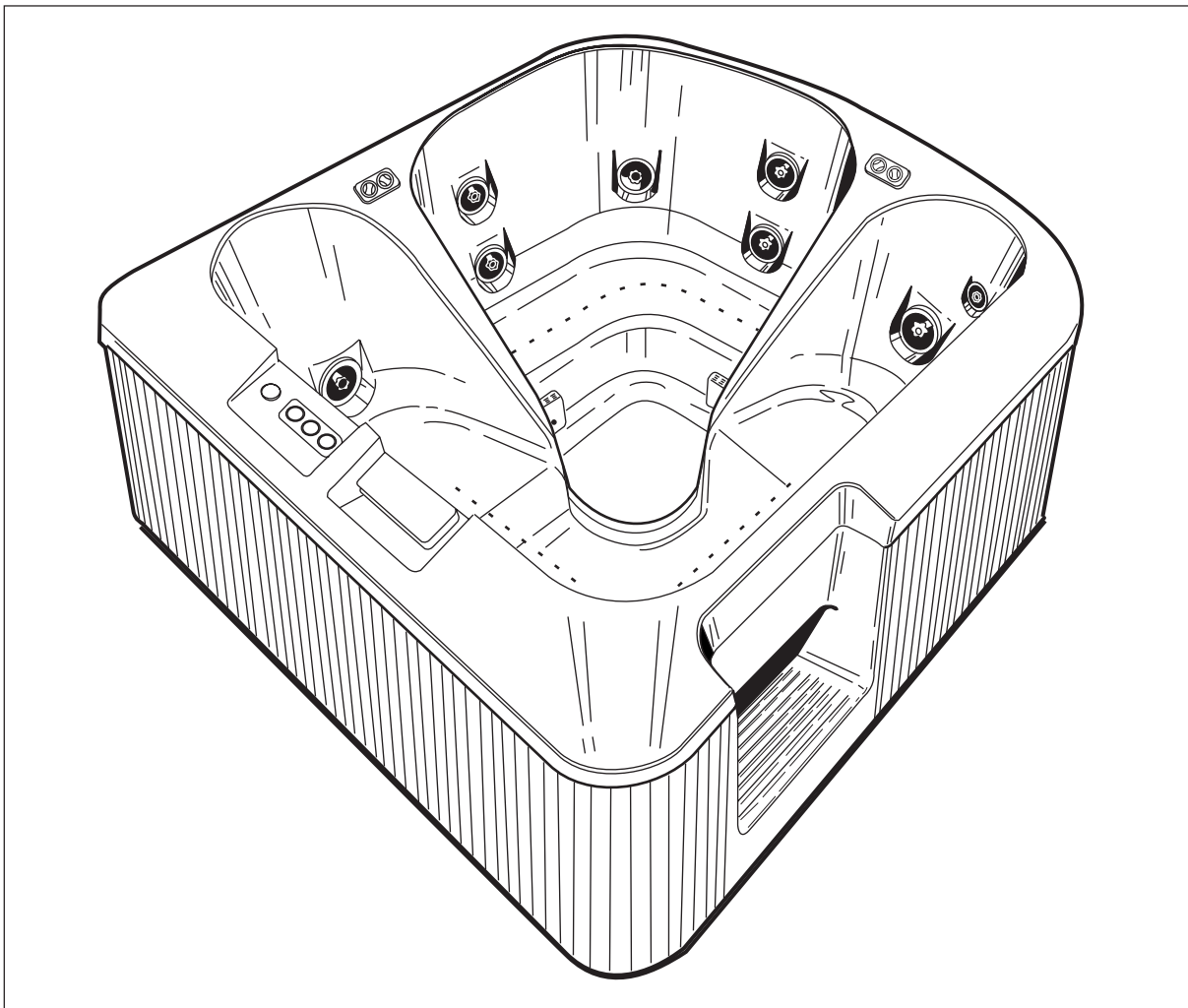


# ***THE TIRAGE PLUS™***

---



## ***PORTABLE WHIRLPOOL SPA OWNER'S MANUAL***



# IMPORTANT SAFETY INFORMATION

Jacuzzi Whirlpool Bath does not recommend spa water temperatures in excess of 104° F. High water temperatures in excess of 104° F. and prolonged periods of use can raise internal human body temperature excessively and impair the body's ability to regulate its internal temperature. Limit your initial use of the spa to 10 - 15 minutes. High body temperatures affect people differently; consult your physician about your safety and comfort before using the spa.

The elderly, the infirm, and children should not use the spa unattended. Infants should not be permitted in the spa at water temperatures over 100°F. Pregnant women and people with heart conditions should consult their physicians before using the spa at water temperatures over 100° F.

Extra care should be taken when using the spa and consuming alcoholic beverages. Alcohol, drugs, or certain medications such as tranquilizers affect a person's ability to withstand high temperatures and may produce dangerous effects.

Do not remove the suction grille! It is a safety device and must always be in place on the suction fitting to minimize the potential hazard of hair entanglement or body entrapment. Keep body, hair, and clothing a minimum of 12 inches away from suction fitting and skimmers at all times when the spa is operating. Hair longer than shoulder length should be secured close to the head, or a bathing cap should be worn.

The wet surface of the spa is slippery. Use care when entering and exiting.

**WARNING—Risk of child drowning:** Do not permit children to use this product unless they are closely supervised. The use of a rigid locked cover is highly recommended to prevent unattended access.

**DANGER—RISK OF ELECTRICAL SHOCK:** (When using the electrical equipment, basic safety precautions should always be followed.)

This unit is provided with a ground fault circuit interrupter (GFCI) located in the System Control Module. Check to be sure this is operational once a month. (The procedure for testing described in this manual under "OPERATION".)

Do not use electrically connected devices such as television, radio, or stereo speakers, lights, cooking devices, or telephones within 5 feet of the spa while the spa is being used. Lighting fixtures must not be located directly above or within 5 feet of the spa. If located within 10 feet of the spa, they must be on a circuit protected by a GFCI.

The spa must be installed with adequate access and water drainage system, (See Installation Instructions.) to drain water away from electrical components.

Do not turn on power to the spa unless it is filled with water to the normal water level, which is to the water level indicator mark on the skimmer frame. Activating the spa when there is an insufficient amount of water can damage the circulation pump and may cause a fire.

Read manufacturer's safety information provided with all optional equipment.

**Save These Instructions for Future Use.**

## Owner's Record

Date Purchased \_\_\_\_\_

Purchased From \_\_\_\_\_

Installed By \_\_\_\_\_

Spa Serial Number \_\_\_\_\_ Model #8900000

(See page 2 for location of serial number.)

# The Tirage Plus™ Portable Whirlpool Spa

## Owner's Manual

Model 8900000

### Contents

	Page
<b>Installation Instructions</b> _____	<b>2-6</b>
Inspection and Shipping Claim _____	2
Unpacking _____	2
Positioning Your Spa _____	3
Electrical Requirements _____	3
Electrical Precautions _____	4
Outdoor Installation _____	4
Drainage _____	4
Indoor Installations _____	4
Equipment Set-Up _____	5
<b>Operating Instructions</b> _____	<b>6-10</b>
Basic Control Set-Up _____	6-7
Setting the Timer _____	7
Controls _____	8
Temperature Control _____	9
Setting the Thermostat _____	9
Note on Determining Water Temperature _____	9
Normal Operation _____	10
Whirlpool System _____	10
Water Rainbow _____	10
Air Blower _____	10
Silent Air Induction _____	10
Filtration _____	10
<b>Maintenance</b> _____	<b>11-15</b>
Water Quality and Water Chemistry _____	11
Filtration _____	11
Water Chemistry _____	11-12
Disinfectin _____	12
Balancing pH _____	12
Balancing Total Alkalinity _____	12
Water Quality Definitions _____	12
Water Level/Drain _____	13
Skimmer Basket Maintenance _____	13
Filter Maintenance _____	13
Automatic Filtration/Maintenance _____	14
Winterizing _____	14
Factory Installed Redwood Skirt _____	14
Spa Light _____	15
Covering Your Spa _____	15
Cleaning Your Spa _____	15
Repairs to the Acrylic _____	15
<b>Troubleshooting Guide</b> _____	<b>16-18</b>
Alternate Use for Water Rainbow _____	19
Optional 1-1/2" Permanent Drain _____	19

# The Tirage Plus™ Portable Whirlpool Spa

## Specifications and Installation Instructions

The Tirage Plus™ is a sumptuous rectangular whirlpool spa by Jacuzzi Whirlpool Bath designed with full-featured elegance to provide the comfort and luxurious spa experience you expect from a Jacuzzi® whirlpool spa. Its multi-level contours and individualized, connecting loungers allow seating for 7 people. Entry and exit from the spa are made easier and safer by the built-in exterior and interior steps. And for a revitalizing hydromassage, seven fully adjustable color coordinated PowerPro™ whirlpool jets and one directionally adjustable jet are located strategically to massage lumbar and upper back regions, depending on where you are seated. The two sets of stacked jets ensure this simultaneous hydrotherapy.

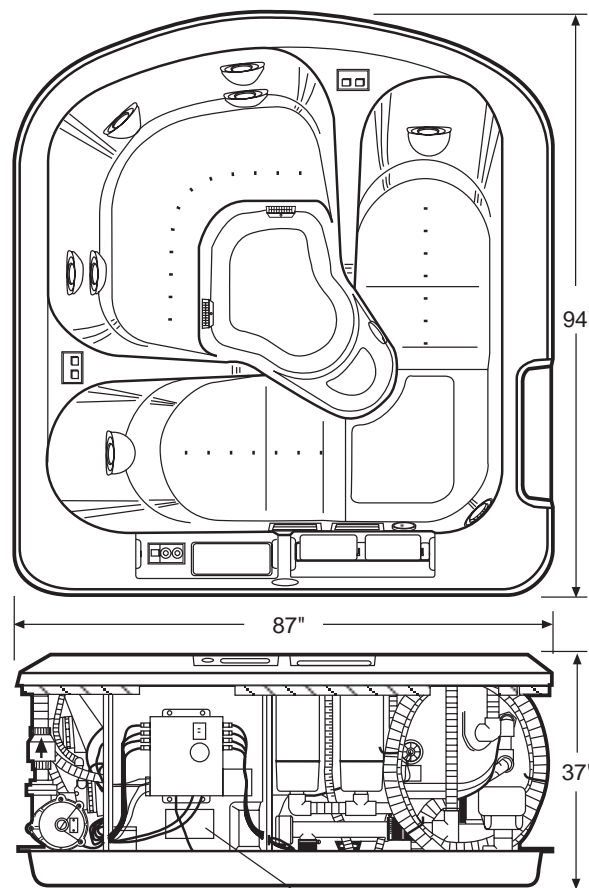
The Tirage Plus also features a clearly labeled control panel concealed by a streamlined, tinted acrylic cover. Push button controls give you convenient command of the heater, filter, whirlpool, lights, and air blower functions. Two control panels having knobs for adjustment of the silent air induction are located on the rim of the spa. A 7-day timer (located on the System Control Module) can be set for automatic control of temperature and filtration. The Tirage Plus also features two low voltage underwater lights and interchangeable colored lenses, adding even more luxury and excitement to your spa experience.

Under this same tinted cover is a dry compartment in which to store personal items such as eye glasses, or watches, etc. The Tirage offers the convenience of two patented front-load skimmer/filters for maximum efficiency. The unique 50 sq. ft. filtration system, designed by Jacuzzi Whirlpool Bath, allows easy access from inside the spa to both filter cartridges without having to drain the spa or open the skirt door.

A standard feature of the Tirage Plus is its two Water Rainbow™ spouts with flow control, which will create a dazzling, shimmering waterfall effect while recirculating the water.

The spa shell is foam-insulated to save energy costs, and the spa is tastefully surrounded by a factory installed redwood skirt.

The complete equipment pack of the Tirage Plus is mounted within the perimeter of the spa, so the spa is easy to install. The spa requires a 230 VAC 50 AMP 4-wire grounded, separate circuit and is equipped with a ground fault circuit interrupter (GFCI). An optional gas heater is available as an alternate heating source and can be installed remotely. The Tirage Plus is available in a wide range of lustrous acrylic colors. (See the Jacuzzi Whirlpool Bath color guide.)



### OPTIONS

- Gas Heater
- Rigid Insulating Cover
- Pillow

SERIAL NUMBER LOCATION

### ARCHITECTURAL SPECIFICATIONS

#### (Short Form)

Whirlpool spa shall be the Tirage whirlpool spa as manufactured by Jacuzzi Whirlpool Bath in colors and sizes shown in drawings and schedules.

### SPECIFICATIONS

MODEL	DIMENSIONS	WHIRLPOOL MOTOR/ PUMP	FILTER MOTOR/ PUMP	FLOOR LOADING	OPERATING GALLONAGE	ELECTRIC HEATER	SHIPPING WEIGHT	ELECTRICAL REQUIREMENTS
<b>Tirage Plus</b> 8900000	94" L. (238.8 cm) 87" W. (221 cm) 37" H. (94 cm)	2.0 HP 230 VAC 10 AMPS 3450 RPM Single Phase 60 Hz.	.75 HP 230 VAC 4.8 AMPS 3450 RPM Single Phase 60 Hz.	86 lbs./sq. ft. (384 kg./sq. m.) Total Weight: 4874 lbs. (2216 kg.)	375 US Gal. (1419 Ltrs.)	6 Kw 26 AMPS	1100 lbs. (500 kg.)	230 VAC 50 AMPS 60 Hz. Separate Circuit 4 Wire

PRODUCT SPECIFICATIONS ARE SUBJECT TO CHANGE WITHOUT NOTICE

# INSTALLATION

## INSTALLATION INSTRUCTIONS

### Inspection and Shipping Claim

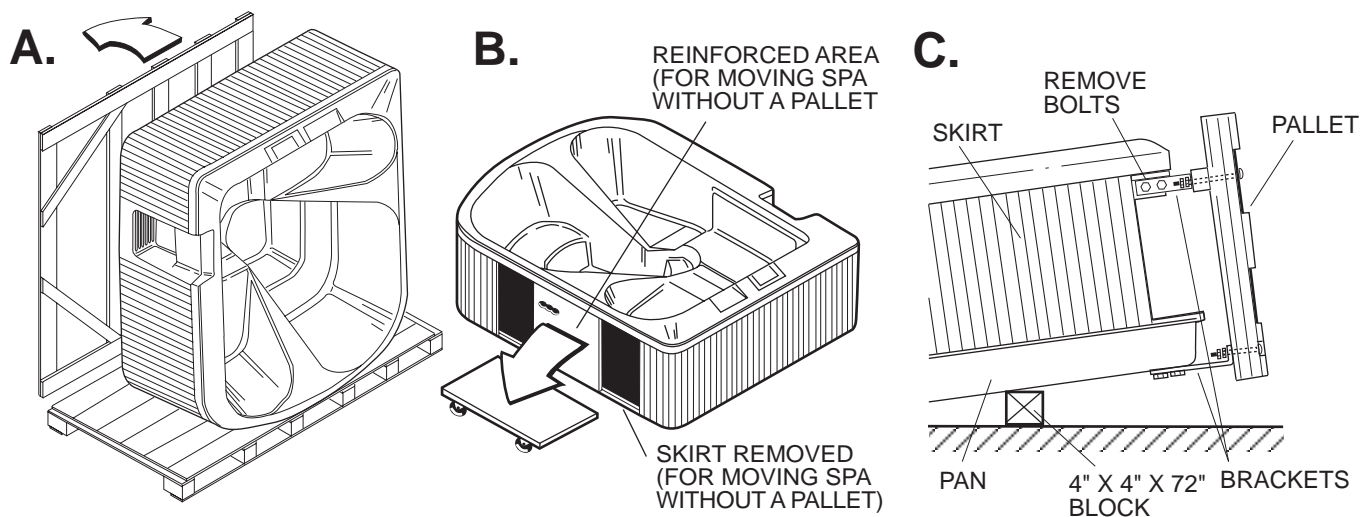
Check for shipping damage upon receipt of the spa. Jacuzzi Whirlpool Bath is not responsible for damage to the spa sustained during shipping. If damage is evident before unpacking, see instructions regarding shipping claims on the outside of the carton and immediately file a claim with the carrier.

Once the spa has been removed from the carton and before it is permanently installed (see below on this page for unpacking instructions), check the spa completely for damage. Fill the shell with water and operate the system (see Operating Instructions) to check for leaks which may have resulted from shipping or handling. All Jacuzzi Whirlpool Bath spas are factory tested for proper operation and water tight connections prior to shipping. If leaks or other problems are detected, immediately notify your Jacuzzi Whirlpool Bath dealer or Authorized Service Agent, or call Jacuzzi Whirlpool Bath, (510)-938-7411, or (510)-938-7070 for Warranty Service.

**Note:** Damage or defects which could have been discovered and repaired prior to installation and which are claimed after final installation of the spa, are excluded from our warranty.

### Unpacking

1. Remove the outer carton by disassembling bracing and plastic bags. Leave the corrugated wrapping in place on the skirt to protect the product until equipment set-up.
  2. Remove the box containing skirt panel and the accessory package which contains the Owner's Manual, filter cartridges, skimmer baskets, screws for skirt, light lenses, and spare bulb. Set aside skirt panel until equipment set-up. Put filter cartridges in a dry place until it is time to set up the spa equipment.
  3. The spa should be moved on a dolly in its upright position while still attached to its shipping pallet. If the pallet must be detached before the spa is moved (for example, to allow it to pass through a door), detach it from the pallet as instructed in steps 4 thru 7. Reinforcements have been installed on the spa. Note their location at notches in the pan to the right of the equipment door. Remove the affected skirt panel by removing screws from skirt. Then carefully place the spa on the dolly so only the reinforced area contacts
  - the dolly for adequate support. (See Illustration B.) The spa must not lie on its skirt.
  4. When the spa has been moved to its final location, place a 4" x 4" x 72" wooden block beside the pan side of the spa so it is parallel with the pallet. (See Illustration C.)
  5. Tip the spa over onto its bottom with the block supporting the spa.
  6. Remove the bolts attaching pallet to spa. (See Illustration D.)
  7. Remove the pallet and carefully lower the spa to a horizontal position at its final location.
  8. Attach the loose skirt panel included in skirt box. Record the spa serial number on the inside front cover of this manual. (See the illustration on page 2 for the serial number location.)
- Important!** Read all the instructions contained in the Owner's Manual before beginning installation.



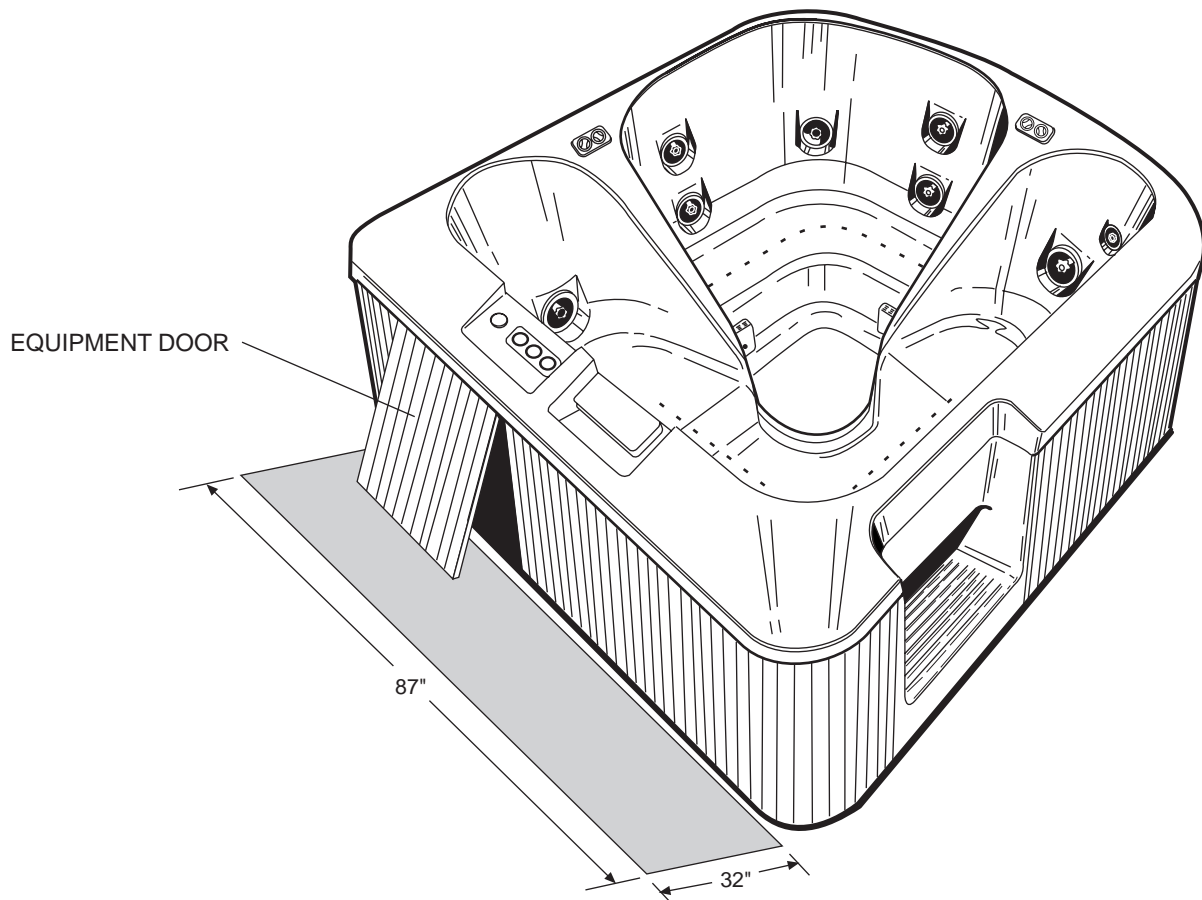
# INSTALLATION

**Important: Read complete instructions before beginning installation.**

## Positioning Your Spa

Because your spa is portable, you can locate it just about anywhere you wish--on a deck, patio, or even indoors. Just be sure to position it above ground in an area with good drainage and on a level, continuous surface which can support the weight of the spa when filled with water and people; this weight is approximately 4874 lbs. (86 lbs. per square foot). You must also provide access to the spa's equipment for service and general maintenance.

## MINIMUM SERVICE ACCESS



## Electrical Requirements

Your Spa, as it comes from the factory, requires a 230 VAC 60 AMP 4-wire grounded type electrical service having copper connectors and must be in a separate circuit having no other appliance connected in that circuit. If you do not have this kind of circuit, a qualified electrician should be called in to install the necessary wiring. Inadequately sized wiring may cause a voltage drop which might cause the unit to malfunction and bring about permanent damage to the spa's electrical system. We recommend that the wire be sized for a 3% voltage

drop. (See NEC.) Each "leg" of the incoming power to neutral must be 105 VAC minimum at the spa when all the spa equipment is running. The circuit must also have a ground wire in order to take advantage of the designed-in safety features of the spa. A bond wire must also be used. Bond according to procedure described on the next page.

**Caution: Without proper grounding and bonding, a system malfunction may cause fatal shock.**

# INSTALLATION

## Electrical Precautions

**CAUTION:** Do not apply electrical power to the spa unless it is filled with water to the normal water level, which is approx. 7" below the spa rim (see location of water level indicator on face of skimmer on page 6). If the spa's motor/pumps are actuated when there is not sufficient water in the unit, the circulation pump could be irreparably damaged. Not heeding this caution will nullify the warranty. In addition to damaging the unit, operating the unit with insufficient water could cause a fire.

Do not locate lighting fixtures directly above the spa; lighting and electrical receptacles must be located at least 5 ft. from the spa. Lighting located between 5 and 10 ft. from the spa must be on a circuit protected by a GFCI. (See National Electrical Code, 680-6.)

Do not use electrically connected devices, such as

television, radio, toys, telephones, stereo speakers, lights or cooking devices within 5 ft. of the spa when the spa is being used.

## Bonding and Grounding

All fixed metal objects located within 5 ft. of the spa, such as fence posts, railings, door frames greenhouse structures, gutters, etc., must be attached to the bonding bar on the outside of the spa electrical cabinet using #8 solid copper wire. **With #8 solid copper wire, bond the spa to the house electrical panel or approved local bond.**

**An approved ground may be an 8 ft. long ground rod, a plate electrode, or a buried metal water pipe with at least 10 ft. of buried pipe. Check your local building code for requirements. Bonding lugs are available at your local electrical supply store. (Bond bar location is shown on page 5.)**

## Outdoor Installation

If you install the spa outdoors, we recommend that you provide a concrete pad for it to rest on. To do this, construct forms for a 8' x 8' x 4" (approx.) thick level pad. Install a #10 gauge wire mesh 6" x 6" steel reinforced grid. Attach a #8 solid copper wire to the grid with a ground clamp. This wire should be long enough to reach the bond bar on the spa System Control Module (min. 36"), but should not be located under the base of the spa. Then pour the concrete pad.

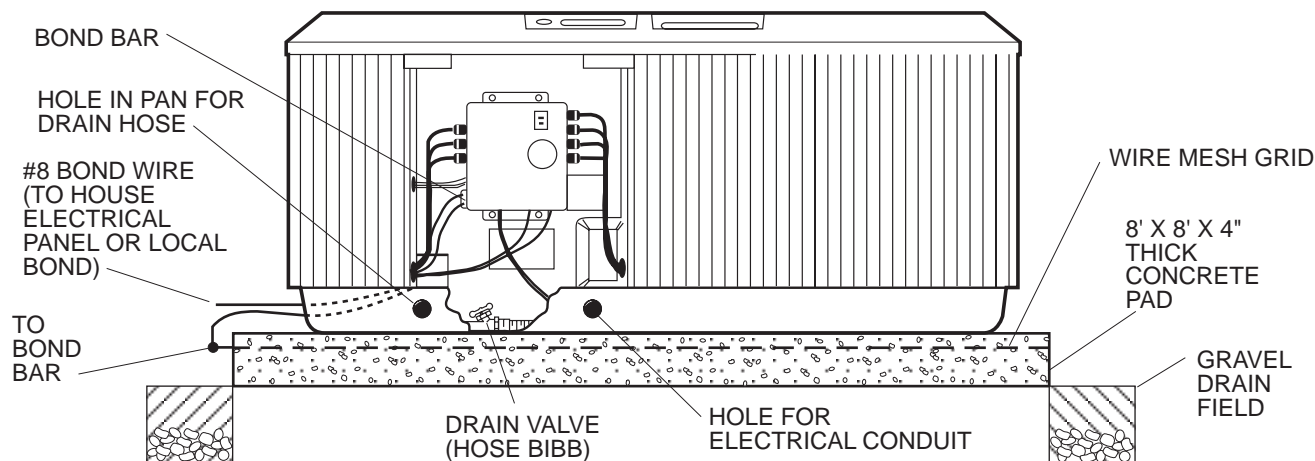
## Drainage

Whether you install your spa indoors or outdoors, you can drain it almost completely by attaching a garden hose to the drain valve located on the suction tee of the spa. Simply run the hose to the house sewer line or drain field and open the drain valve. See inside back cover for a quicker, permanent drain method.

Make sure the area surrounding the spa has good drainage to keep water from collecting at the base of the spa--especially near the equipment area. If drainage is poor, install a drain line and/or gravel drain field (see illustration below).

## Indoor Installations

Water which splashes on the floor during use of the spa may cause a walking hazard and/or structural damage unless good drainage is provided and proper waterproof building materials are used in the area surrounding and beneath the spa. Take into consideration, also, the high room humidity which will exist due to high spa water temperatures. Providing natural or forced ventilation of the room will help maintain comfort and minimize moisture damage to the building. Jacuzzi Whirlpool Bath is not responsible for damages resulting from excess moisture or water spillage. Consult an architect or engineer for aid in designing your indoor installation.



# INSTALLATION

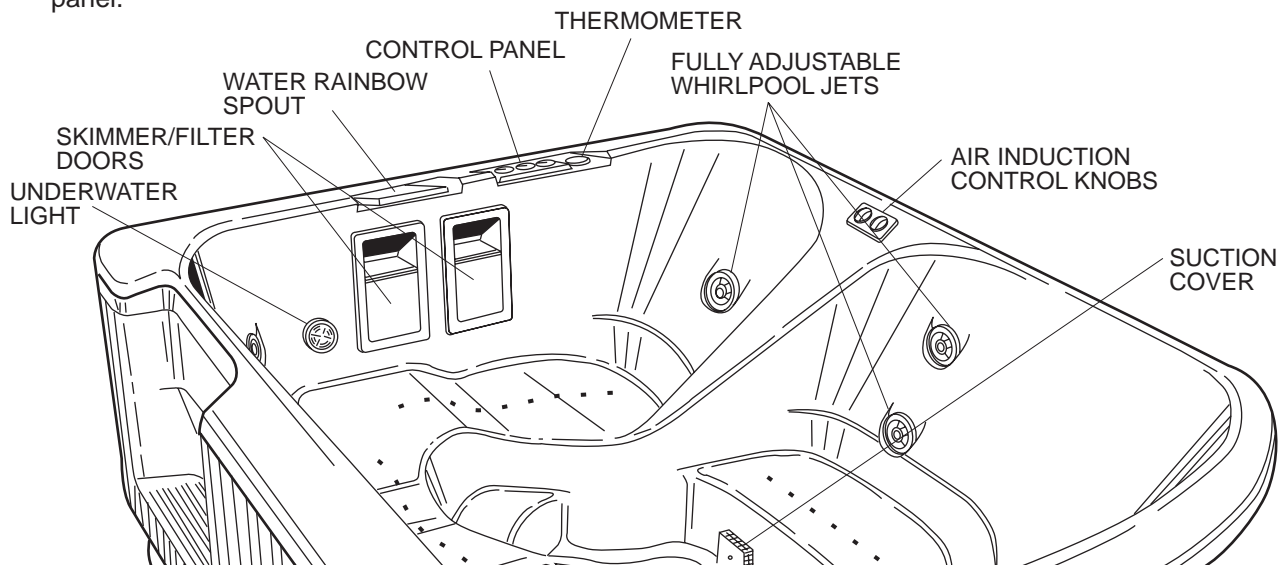
## Equipment Set-Up

1. Remove the plastic sheet covering the spa. Use care; stepping into the spa with shoes will scratch the acrylic surface.
  2. Remove any packing materials from the spa.
  3. Remove each filter cartridge from its plastic bag.
  4. Pull open each skimmer/filter door by the handle located in the middle of the door and remove the skimmer basket. Then insert the filter cartridge into the filter housing and re-insert the strainer so that it fits in place over the filter cartridge and close the skimmer/filter door. See illustration on page 13.
  5. Clean the interior of the spa of any remaining construction debris. Remove stubborn stains, paint, or tar with turpentine, isopropyl alcohol or paint thinner. A mild liquid dishwashing detergent on a damp cloth is fine for cleaning off other dirt. Plaster can be removed by scraping with a wooden edge; do not use a metal scraper, wire brush, or other metal tools, as they will damage the spa's surface.
  6. Install the skirt panel which was not installed on the spa at the factory. To do this, secure with the screws provided in your spa accessory package and follow instructions provided with panels.
  7. On initial start-up, it is necessary to purge and sanitize the system. Carefully follow the procedure described here to purge and sanitize your spa.
    - Remove the optional spa cover completely.
    - Close the drain valve located on the suction tee.
    - Fill the spa with water to its normal operating level, which is to the water level indicator mark on the skimmer/filter frame.
    - Turn on circuit breakers at the main electrical panel.
- Select JETS on the SYSTEM switch.
  - Add 1/4 cup sodium dichlor (a fast dissolving granular type of chlorine) to the water and let the whirlpool run for 15-20 minutes only.
  - Turn off JETS.
  - Turn off circuit breakers.
  - **Immediately open the drain valve and drain the spa completely.**

**CAUTION:** Leave the optional rigid cover off the spa during this procedure. Do not use the spa during this procedure. Drain the spa immediately afterward.

8. Close the drain valve and fill the spa with water to approx. 7 inches below the spa rim, or to water line indicator mark on the skimmer frame. (See illustration on this page.)
9. Turn on circuit breakers at the main service panel.
10. Set the heater thermostat for the maximum temperature.
11. Test the spa for proper operation. (Refer to Operating Instructions.)
12. Refer to Water Quality section of the Operating Instructions. Test for water quality; then add treatment chemicals to ensure proper levels.

All Jacuzzi Whirlpool Bath spas are factory tested for proper operation and water tight connections prior to shipping. If leaks or other malfunctions are detected, immediately notify your Jacuzzi Whirlpool Bath dealer or Authorized Service Agent, or call Jacuzzi Whirlpool Bath, (510) 938-7411 (510-938-7070 in California), for Warranty Service.





# OPERATION

## OPERATING INSTRUCTIONS

Now that your Tirage Plus spa is in place, you are probably eager to take advantage of its unique designed-in features—especially the patented Jacuzzi® Whirlpool Bath hydromassage performance. Besides being a beautiful addition to your indoor decor or outdoor landscaping, your Jacuzzi whirlpool spa will provide you with the ultimate in spa pleasure.

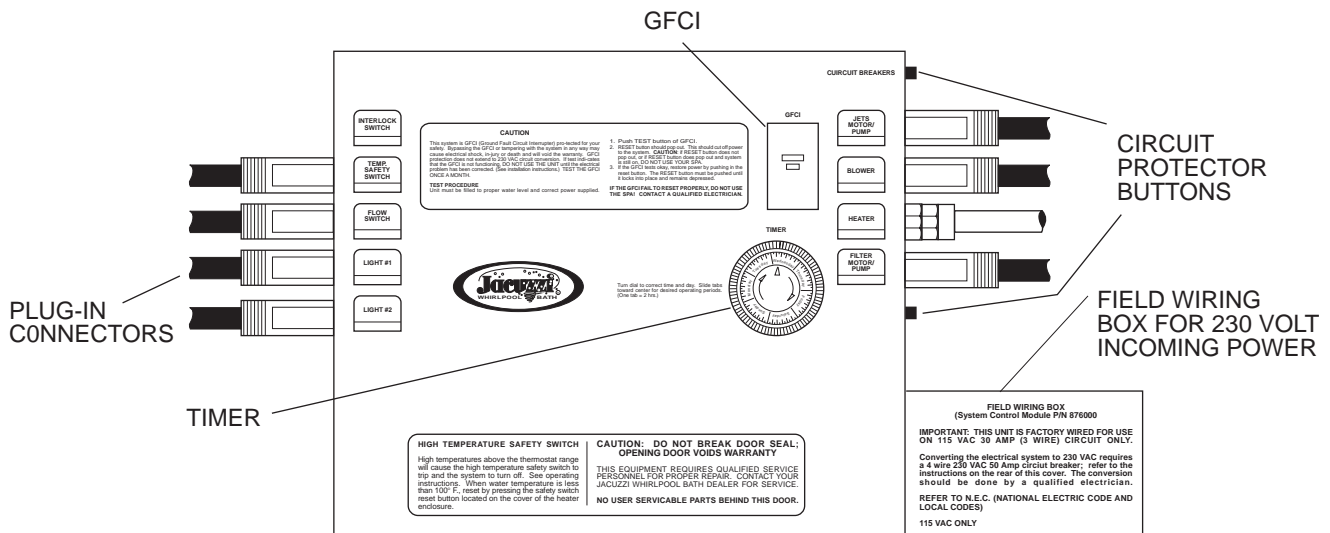
### Basic Control Set-Up

The control set-up on your Tirage spa is designed to give you fingertip control of the heater, air induction, lights and whirlpool, filter, and blower systems of your unit from inside or outside your spa. Follow the basic control set-up described below to familiarize yourself with the several functions of the control panels located on the top of the spa.

### CAUTION

**Do not turn on power to the spa unless it is filled with water to the normal water level. (See water line indicator mark on skimmer frame.) When the power is on, the built-in timer may activate the system even though the SYSTEM is turned off at the control panel. If the spa's motor/pump is actuated when there is not sufficient water in the unit, the circulation pump and heater could be irreparably damaged. Not heeding this caution will nullify the warranty. In addition to damaging the unit, operating the spa with insufficient water could cause a fire.**

- Using a garden hose, fill the spa with water to the water line indicator mark on the skimmer frame.
- At the house service panel, turn on the circuit breaker or switch that controls the electrical service to your spa. (Make sure there is no other appliance on that circuit.)
- Open the skirt door giving access to the System Control Module.
- Your spa is provided with a ground fault circuit interrupter (GFCI). At initial start-up and at least once a month thereafter, with power on, push the test button located on the System Control Module. The reset button should pop out. Push this button in to reset. If the interrupter fails to operate in this manner, there is a ground current flowing or a device malfunctioning, indicating the possibility of electric shock. **Turn off power and do not use the spa until the source of the breakdown has been identified and corrected.**



# OPERATION

## Basic Control Set-Up (Continued)

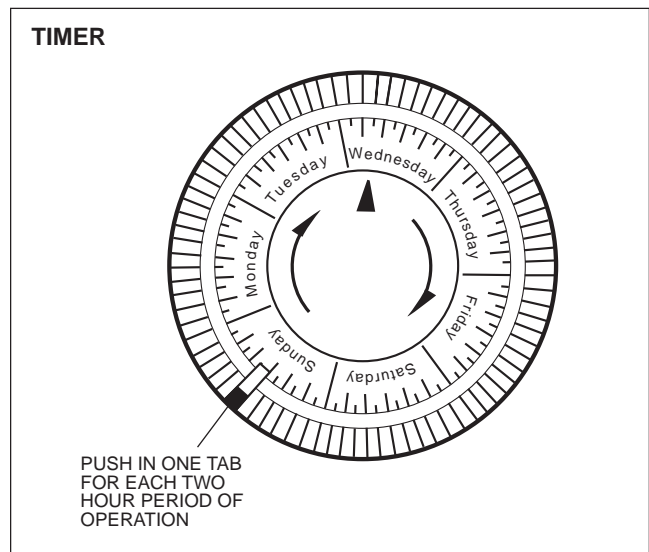
- Make sure the circuit protector buttons are pushed in.
- Locate the HIGH TEMPERATURE SAFETY SWITCH which is a raised button on the end of the heater. Push this button to be sure it is in the reset mode. The purpose of this switch is to shut down the spa if the water becomes excessively hot. If, for some reason, the switch is tripped, the reset button must be pushed in for the heater to operate again after the water has cooled to about 100° F.
- Set the built-in timer (see below). Use of the timer allows two modes of operation: timed HTR/FLTR and timed FILTER . With the SYSTEM switch

turned OFF and the HEATER knob set to the desired temperature, the timer will activate the heater and filter pump to operate during the time period set on the timer. With the SYSTEM switch turned OFF and the HEATER knob turned to its lowest setting, the water will be filtered and the water temperature will be maintained at the minimum temperature (approx. 50 degrees) during the time period set on the timer.

## Setting the Timer

The built-in 7-day timer is located in the System Control Module. The tooth-like tabs that are located on the dial can be set to activate the filter system for two-hour periods on any day(s) of the week. First set the correct time. Set the time of day by rotating the outer dial and aligning the correct time with the small arrow in the inside of the dial. Note: Both correct time and day must be set. Next slide one of the tabs toward the center of the dial at the time at which you wish the filter system to operate. Note that the timed mode can begin at any time of day or night on any specified day of the week.

**Note:** If filtration is being controlled by the timer but you do not want the water heated, adjust the HEATER knob to its lowest setting. Because the thermostat is connected in this circuit, the heater will maintain a minimum water temperature.



# OPERATION

## CONTROLS

A switch panel giving you convenient control of the JETS, filter, HTR/FLTR, lights and air blower is located on the spa rim.

To ensure your safety and allow easy operation, your spa is equipped with two air-activated switches. One, the SYSTEM switch, controls the whirlpool jets, heat, and filtration. The other switch, ACCESSORY controls the air blower and optional light. Refer to the Control Panel illustration for an explanation of the various switch functions.

## SYSTEM

The SYSTEM switch controls the following four functions in the continuous sequence indicated:

1. OFF
2. JETS
3. HTR/FLTR
4. FILTER

(The next selection is OFF again.)

Use the JETS function as a reference to indicate your

location in the function sequence, since that function is the most obvious when operating.

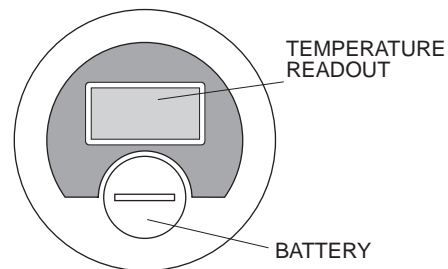
For best performance and increased equipment life, pause a second or two between push-button selections. Not pausing may cause the switch to malfunction.

## ACCESSORY

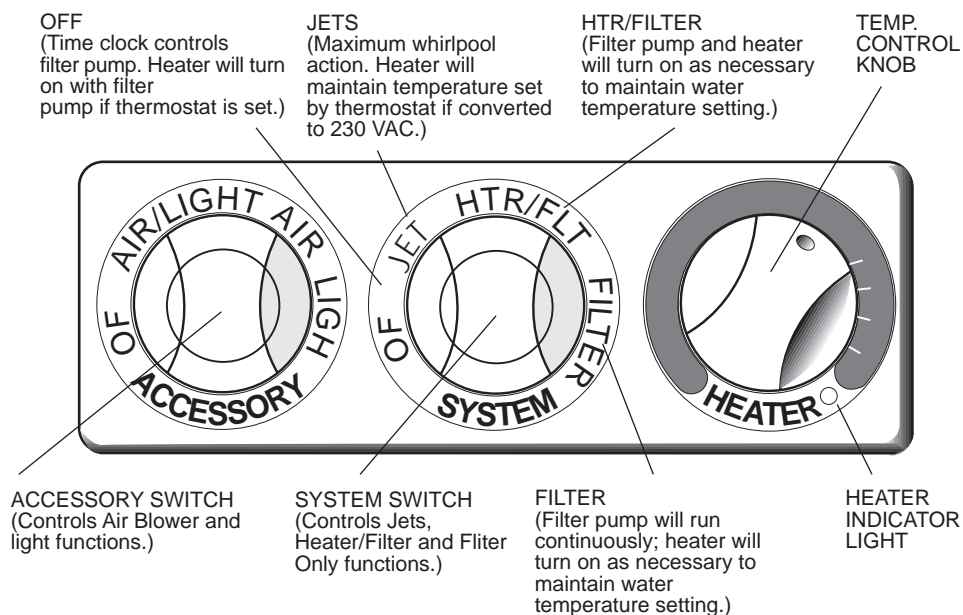
The ACCESSORY switch controls these functions in the continuous sequence indicated:

1. OFF
2. AIR
3. AIR/LIGHT
4. LIGHT

## THERMOMETER



## CONTROL PANEL



# OPERATION

## TEMP. CONTROL

Turn on the heater by selecting the HTR/FLTR mode with the SYSTEM switch.

With this selection, you can verify that the spa's heater is operating by viewing the indicator light on the spa control panel.

Set the HEATER knob by rotating it to the desired temperature. When the water temperature is lower than that set by the HEATER knob, the heater and filter motor/pump will be activated. The heater and filter functions will automatically turn off when the desired temperature is reached. When the heater is on, the water is also being filtered. The heater will also maintain water temperature in the JETS mode.

The HEATER Control is designed to maintain a minimum temperature of approximately 45 - 50°, its lowest setting. This does not necessarily protect the spa from freezing. See page 14 for winterizing procedures.

## Setting the Thermostat

You will notice by the indicator light that the heater is on when the water temperature falls below the desired temperature and will turn off when that temperature has been reached.

When the spa is not in use, you can set the thermostat to a lower temperature; then, when you wish to use the spa, adjust the HEATER knob to the desired temperature. The water temperature will rise at a rate of about 6° per hour with the optional spa cover, foam insulation and

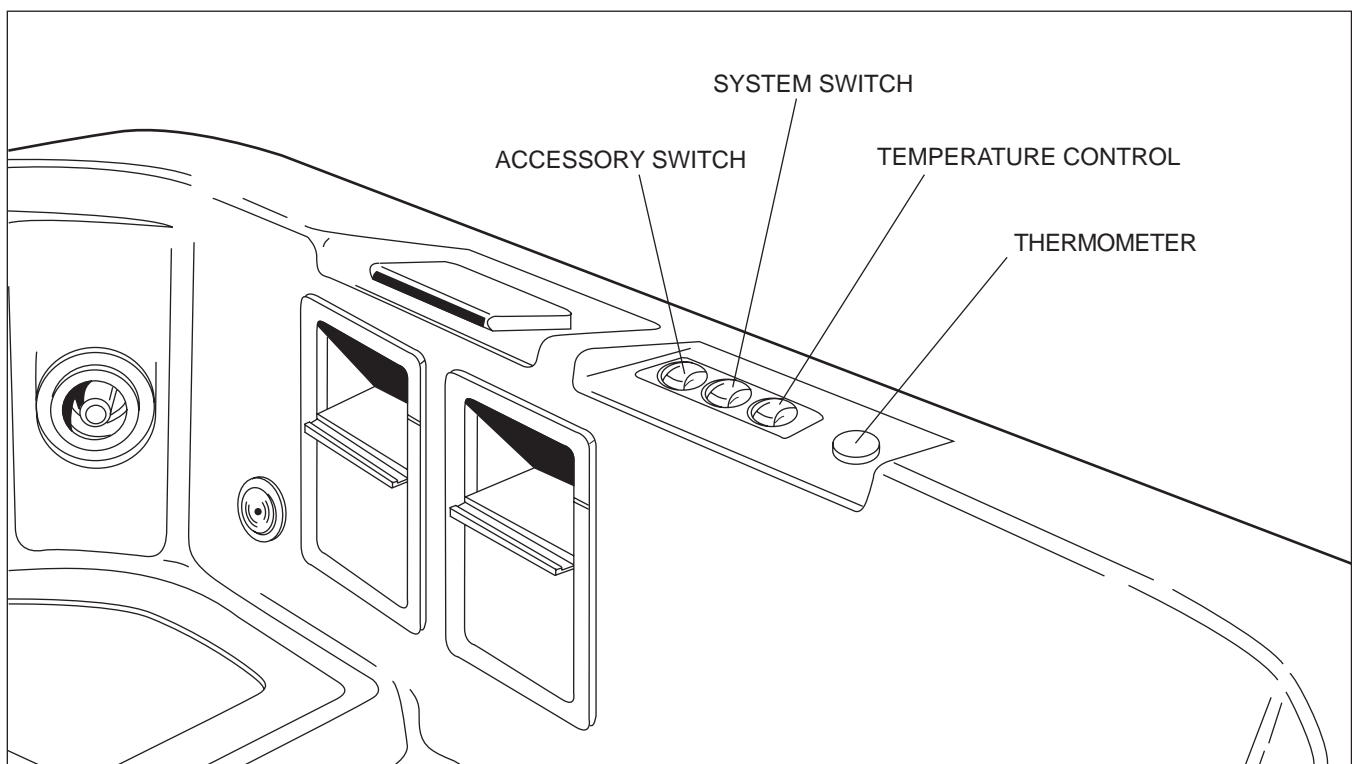
skirt panels in place and if the air temperature is 50°F or warmer. This rate will necessitate a waiting period before using the spa, the length of which will be determined by the temperature of the water before turning on the heater. For example, if the water in the spa is kept at about 70°F when the spa is not in use, and the desired temperature is 100°F, it will take about 5 hours to heat up sufficiently.

Once you have determined the desired setting on the thermostat knob, it is not necessary to change or re-adjust it again during normal operation unless you decide on a different setting.

The optional spa cover available for your spa will help control heat loss from the water surface and thereby reduce energy consumption. You can improve the spa's heat retention by keeping the spa cover in place on the spa while heating the water.

## Note on Determining Water Temperature:

As spa products generally perform in a narrow range of operating temperatures, we recommend that you use a medical (clinical) type thermometer for an accurate measurement of spa water temperature. Other types of thermometers, generally available, such as those used for swimming pools, are not sufficiently accurate to determine spa water temperatures. Take water temperature readings in the HTR/FLTR mode when the heater has just turned off; the indicator lamp on the control panel will turn off at this time.



# OPERATION

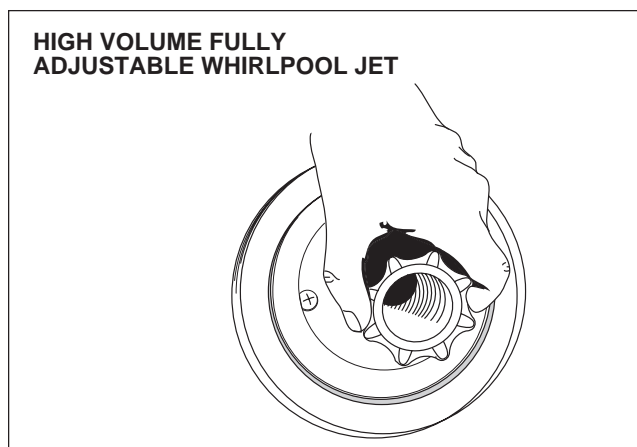
## Normal Operation Whirlpool System

You can enjoy your spa with or without activating the whirlpool. Either way, bathing in your spa can be pleasurable, as well as therapeutic.

For an invigorating spa experience, you can take advantage of the built-in whirlpool system. To do this, push the SYSTEM switch button to select the JETS mode. Sit or recline in the spa so you are comfortable. The fully adjustable whirlpool jet located on the wall opposite the control panel can be adjusted to control the force of the water coming into the spa. For stimulating action, increase the force of the flow by rotating the jet handle to the left. For a more relaxing effect, rotate the handle to the right (clockwise). The directionally adjustable whirlpool jets can be directed toward any location on the body, particularly toward any area that feels tense or stiff. The warmth of the water and the stimulating water flow from the jet will pleasantly increase circulation.

Or, for the total whirlpool effect and all-over feeling of well-being, you can adjust all jets so they point in a clockwise or counter-clockwise direction to circulate the air and water mixture in a circular motion all about the spa.

Finally, after a busy, stressful day, you can look forward to soaking in your spa in still water with no turbulence—only the gentle warmth of the soothing and relaxing water.



## Silent Air Induction

The intensity of the whirlpool action is determined by how much air is inducted into the water. You have control of this by adjusting the air induction control knobs located on both control panels. For maximum air induction, rotate each control knob fully counter clockwise to the largest circle. For fewer air bubbles, decrease the amount of air induction by rotating the control knob clockwise. When the knobs are turned to the smallest circles, only water is being circulated.

## Water Rainbow™ Spout

The Water Rainbow spout will add the soothing sound of a waterfall to your bathing pleasure, as well as provide beautiful cascades of shimmering water for an exciting visual effect.

Activate the waterfall feature by first turning on the JETS, HTR/FLTR, or FILTER function, then rotate downward the flow control lever located on the left side of the spout. Use this lever to adjust the amount of water flowing through the Water Rainbow spout. The waterfall effect will be greatest in the JETS mode. Turning off the flow at the fully adjustable jets will dramatically increase Water Rainbow flow.

**CAUTION: The water circulating through the Water Rainbow spout is not fresh water and therefore is not suitable for drinking.**

## Air Blower

The Tirage features a built-in air blower and factory drilled air holes in the seats of the spa to add to your enjoyment. The blower sends air to a channel located under the spa's seats; this air is distributed through the air holes, forming tiny bubbles which travel upward until they reach the surface and burst. The exciting visual effect of the bursting bubbles contributes to the overall hydromassage experience.

Activate the blower by pushing the ACCESSORY switch. **(Note that the filter pump will also come on at this time.)**

## Filtration

When you are ready to leave the spa, push the SYSTEM switch button to turn off the whirlpool. Then select the HTR/FLTR mode. Adjust the HEATER knob to the temperature at which you wish the water maintained. In this way, the water will be filtered when the heater goes on to maintain the temperature. Whenever the water temperature reaches the desired temperature, the pump will turn off.

For continuous filtration, select FILTER on the SYSTEM switch. In this mode, the filter pump will run until it is manually deactivated while maintaining the water temperature selected by the HEATER KNOB. Set the HEATER KNOB to its lowest setting unless you wish the higher temperature to be maintained. Running the filter pump for at least two hours per day is sufficient.

Another way to be sure the water will be filtered is to turn the SYSTEM off and set the built-in timer in the System Control Module to turn the system on at a certain time to filter the water. Be sure there is sufficient water in the spa (filled to the water line indicator mark on the skimmer/filter frame) when the timer is set, or the spa's motor/pump could be damaged. (See page 7 for instructions on setting the timer.)

# MAINTENANCE

## MAINTENANCE

### Water Quality and Water Chemistry

Maintaining water quality and water chemistry in your spa is extremely important and should be a regular part of your spa maintenance program, as a neglected spa can be a breeding place for dangerous bacteria.

The water quality of your spa is maintained by a combination of filtration and chemistry. The spa's integral filter system helps maintain the water cleanliness and clarity by trapping most solid materials such as body oils, hair, and other debris resulting from normal use. However, the most important part of maintaining water chemistry is keeping the proper level of disinfectant in the water at all times. This is accomplished by adding chlorine or bromine (but never mix the two!) to the water, which will control particles too small to be trapped by the filter, such as bacteria and algae, and will oxidize any organic materials. Follow instructions provided here and with water quality products for the health and safety of spa users, as well as to make your spa bathing as enjoyable as possible.

### Filtration

The filtration system of your spa will keep your water clear and clean if used properly. We recommend that you run your filter system for at least two hours each day. The filter cartridge elements will trap most solid materials and debris in the water. However, the presence of materials such as body oils or other particles which are too small to be captured in the filters may bring about various undesirable water quality conditions. These conditions can be corrected with the use of spa treatment chemicals which are available from your Jacuzzi Whirlpool Bath dealer. Such conditions include the following:

**Foaming:** A defoamer is available to minimize foaming of the water. This condition is usually caused by the addition of soaps or oils, or other fatty substances to the spa water. The interaction of these with hot water, especially at high pH (more alkali), will cause the water to foam. (See Water Quality Definitions.)

**Oil Film or Cloudy Water:** Add clarifier to congeal oil film on the water surface into globules sufficiently large to be trapped by the system's filter. Cloudiness is caused by particles that are too small to be trapped in the filter. and is also due to the presence of human body oils, lotions, and cosmetics. During normal use, these materials can accumulate on the filter element and clog its pores. The addition of clarifier will make the water clearer, but clogged filters must be cleaned as prescribed under the section entitled "Filter Maintenance" in this manual.

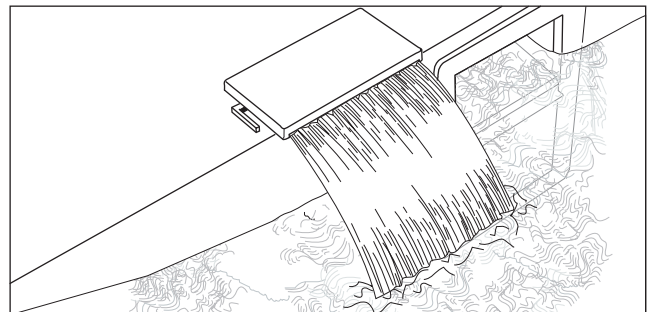
**Hard Water:** Add a de-mineralizer to break down or de-ionize mineral particles present in the spa water. Follow the "Filter Maintenance" procedure described in this manual to ensure optimum performance of your spa's filtration system.

### Water Chemistry

You can ensure better water chemistry by testing your spa water every day and adjusting the chemical balance frequently. Obtain a water quality test kit, designed especially for spas, from your Jacuzzi Whirlpool Bath dealer. The test kit must be of the type which allows you to test for the disinfectant (chlorine) level, pH, and total alkalinity. Make sure, also, that chemicals used in your spa are especially for spa use, and not for swimming pools, as water quality maintenance of spas and swimming pools is very different.

Set up a daily program at first to check the disinfectant level, pH, and total alkalinity of the water to familiarize yourself with the amount of chemicals to add and to determine how often to make chemical adjustments during normal use. Remember that the more heavily the spa is used, the more often you should check the water chemistry.

When adding any chemicals, always run the filter system to ensure complete dilution with the water. Do not add chemicals directly into the skimmer opening.



# MAINTENANCE

## Water Chemistry (Continued)

### Disinfecting:

When filling the spa for the first time, follow the purge/sanitizing instructions in the Equipment Set-Up procedure of the Installation Instructions.

Add a disinfectant to the water on a regular basis to help control the amount of bacteria, algae and organic materials. Such bacterial contaminants, if not controlled, could cause skin rashes or other physical problems. To disinfect the spa for normal use, first establish the amount of chlorine or bromine to add and determine how often you need to add it.

We recommend that you maintain a free chlorine level of 2.0 - 5.0 ppm at all times except when you must exceed that during the initial purge/sanitizing procedure or during superchlorination (see "Water Quality Definitions" below). Superchlorinate your spa every two weeks with heavy use. If using sodium dichlor, add one heaping tablespoon for each 150 gallons of spa water. Scrub the spa surfaces with this solution to remove any oily deposits. This will ensure that any bacteria or algae which are resistant to the normal disinfectant level are killed. After adding the disinfectant, run the filter system and allow the free chlorine level to return to the 2.0 to 5.0 ppm range before using the spa again. **Do not install a rigid cover during this procedure until the disinfectant level is back to normal. High concentrations of chlorine or bromine will damage spa fitting finishes if the cover is in place.**

### Balancing pH:

For good hygiene and equipment longevity, maintain the pH of your spa water according to the instructions provided. pH is the measure to determine if the spa

water is too acid (low pH) or too alkaline or basic (high pH). The ideal range for spa water is 7.2 to 7.6 pH. For excessive acidity (below 7.2 pH) add soda ash or sodium bicarbonate to the spa water. For excessive alkalinity (above 7.6 pH) add dry acid to the spa water.

**Caution: Refer to the spa chemical manufacturer's instructions for the initial amount of chemicals to add for the gallonage of your spa. Low pH can cause equipment damage, as acid water will dissolve metals, while high pH can cause scale or calcium deposits to build up in the system or on the shell. After adding chemicals, run the filter system for at least 30 minutes before testing water quality again for accurate readings.**

### Balancing Total Alkalinity:

Total alkalinity is the measure of base materials in the water. The recommended range for total alkalinity is between 80 ppm and 150 ppm. If the chemistry of the water is not within this range, you will have difficulty adjusting your pH level, which will affect your adjustments for the proper amount of free available chlorine. If the alkalinity of your spa water is high, it is advisable to drain the water from the spa and begin the balancing process over again. Purge and sanitize your spa (according to instructions in Equipment Set-Up section of the Installation Instructions) and clean the spa surfaces thoroughly before refilling with fresh water. Then re-establish water chemistry. If the spa is used heavily, change the water at least every month.

## WATER QUALITY DEFINITIONS

**Calcium Hypochlorite:** A granular chlorine product that is inexpensive and effective but not recommended because it often tends to form calcium deposits on heater parts and plumbing fittings and leaves an unattractive film on the spa at the water line.

**Sodium Hypochlorite:** A liquid chlorine product that is inexpensive and effective but not recommended because the liquid is readily spilled onto the spa or a surrounding area, causing permanent damage.

**Total Alkalinity:** The measure of amount of alkaline materials (such as carbonates, bicarbonates and hydroxides) in the water. High alkalinity inhibits the effectiveness of chemicals to change the pH. If the alkalinity of your spa water is high (above 150 ppm), it is advisable to drain the water from the spa and begin the balancing process over again. Low total alkalinity (below 60 ppm) could be corrosive and damage your spa system.

**Superchlorination:** (also referred to as "shock treatment") The addition of an above-normal level of disinfectant to kill any bacteria or algae that might have become resistant to normal levels of disinfectant.

**pH:** A chemical term used in expressing relative acidity or alkalinity in numeric values with 7.0 usually regarded as neutral, and for purposes of this manual, indicating pure water. From 7 to 0 indicates increasing acidity, and 7 to 14 indicates alkalinity.

**PPM:** Parts per million.

**Free Chlorine:** Chlorine that has not combined with other chemicals and that is available to destroy bacteria in the spa water.

**TriChlor:** A form of chlorine used in pool or spa water treatment; usually supplied in tablet form. Not recommended because of its higher acidic nature and slow dissolving action. Prolonged contact with the spa shell may bleach or permanently mark the shell.

**Sodium DiChlor:** The type of chlorine that is recommended for spa use, as it is available in fast dissolving granular form. It is neither excessively acid nor alkaline in character and does not readily dissipate in higher water temperatures.

# MAINTENANCE

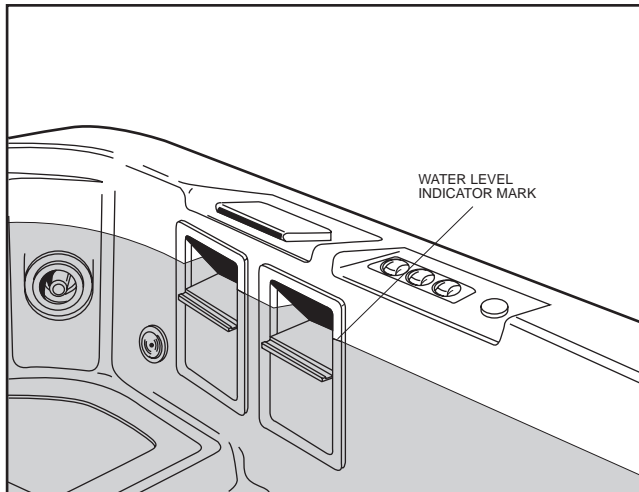
## Water Level/Drain

The water level in the spa must be maintained at its normal level. Evaporation and splashing will cause the water level to drop.

When concentrations of impurities from evaporation, water quality chemicals, body oils, perfumes, dirty feet, and winds, etc., accumulate in the spa and cannot be filtered out, it is necessary to drain your spa and refill it with fresh water. This should be done every 2 months or more often, depending on the amount of use.

To drain the spa, first turn all controls to OFF. Then turn off circuit breakers at the main electrical panel. Pass a garden hose through a hole in the pan and connect it to the hose bibb in the suction plumbing. Turn the handle and drain the spa.

After draining the spa, clean the spa shell, suction strainers, skimmers, and filters; then close the hose bibb and refill the spa with fresh water. Check the pH level and maintain water quality.



The suction strainers located in the foot well area should be checked at least once a week for collected debris, such as leaves, hair, etc., and cleaned as necessary. It may not be necessary to remove the strainer to clean it, but should you need to, remove the center screw with a Phillips type screwdriver and clean the strainer by flushing with water from a hose.

**CAUTION: Be sure to replace the suction strainer immediately after cleaning. It is a safety device and must be in place over the suction fitting to minimize potential hazard of hair and body entrapment.**

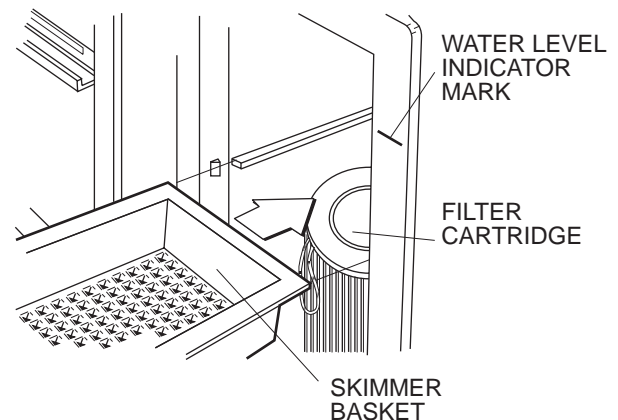
If heavy rains raise the spa water level, drain the spa to its normal level.

A rigid spa cover (available as an option), when in place over the spa, will help reduce evaporation and control the amount of debris entering the spa when the

spa is not occupied. In addition, its use will reduce energy consumption.

## Skimmer Basket Maintenance

The basket located in each skimmer of the spa should be checked at least once a week for collection of debris, such as leaves, hair, etc., and cleaned as necessary. To clean the basket, remove it from the skimmer by pulling it out; then back flush it with a garden hose and re-install. Make sure the basket is properly seated in the filter housing, or the door will not close.



## Filter Maintenance

The filters should be checked periodically. In normal use, check the filters at least once a month. Keep the filters clean; obstructed filters reduce water quality and inhibit proper system performance.

A removable filter cartridge is located inside each skimmer. To remove it, pull open the skimmer door by the handle located in the middle of the door. Slide the basket out; then pull the filter cartridge upward and out of the housing by the loop at the top of the filter. Clean the filter by separating the folds of the filter and spraying with fresh water from a garden hose; then re-install the cartridge in the housing and replace the basket, reversing the above procedure.

Oils will coat the filters, resulting in a reduced flow. To remove such materials, soak the cartridges in a plastic pail containing a commercial filter cleaning solution (available from your Jacuzzi Whirlpool Bath dealer or most spa supply stores). Follow the manufacturer's instructions for use. Another method is to soak the filter cartridges in a plastic pail containing a mild solution of trisodium phosphate (TSP) and water. An hour of soaking time is usually required to break down oil coatings from the cartridge. Use a stronger solution of TSP and water to remove algae. Most hardware or paint stores stock TSP. Use the same method of cleaning when cartridges become plugged with clay or vegetation.

Replacement cartridges are available through your Jacuzzi Whirlpool Bath dealer.



# MAINTENANCE

## Automatic Filtration/Maintenance

If you plan to be away, you should maintain minimum water quality by running the filter system. To do this, set the timer to turn the system on for at least two hours each day. This will cause the filter system to turn on at a desired time. Set the timer according to instructions on page 7 with the SYSTEM switch OFF. If you do not want the water to be heated, turn the HEATER knob to its minimum setting.

If you will be away for an extended period, however, we recommend that you drain the spa (following the procedure described under Winterizing on this page), as long periods without maintenance of water quality could be detrimental to the spa.

Another means of maintaining minimum water quality while away for less than two weeks is to follow the procedure outlined for winterizing your spa in a warm climate. See Winterizing. Note: We do not recommend using this procedure if you are absent during the summer, when algae build-up is most likely.)

Always keep your spa covered when not in use to reduce heat loss and evaporation and to prevent debris from falling in.

## Winterizing

**In a climate where winter temperatures are below freezing, follow this procedure when the spa will NOT be used:**

1. Select the OFF mode.
2. Turn off power to the unit at the house circuit breaker. Drain the spa completely by attaching a garden hose to the hose bibb on the suction plumbing. Then remove the hose and leave the hose bibb open to completely drain the spa. Close the drain valve.
3. Remove the filter cartridges, clean them, and store them dry.
4. Keep water and debris out by covering with a rigid spa cover.
5. Before using the spa again, review the Operating Instructions.

**CAUTION: Not winterizing will cause irreversible damage (at freezing temperatures) to the pump and/or plumbing lines.**

**Note:** If the spa is to be used during winter in a cold climate, see warm climate instructions below.

**In a warm climate where there are occasional freezing temperatures, follow this procedure:**

1. Select the HTR/FLTR mode.
2. Set the thermostat to its minimum temperature (45 - 50° F.) by turning the dial all the way counter-clockwise.
3. Maintain a chemical balance. (See Water Quality section.)
4. Keep the spa covered.

## Factory Installed Redwood Skirt

Your Tirage spa is supplied with a factory-installed redwood skirt which completely surrounds the spa. The door can be opened for routine maintenance, setting the timer, and for testing the GFCI before use.

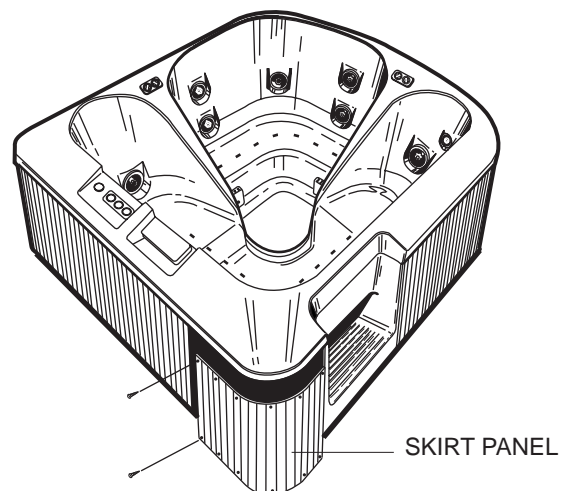
The skirt is made of kiln-dried redwood and can be left natural to weather, or you may choose to apply a stain or clear finish. Consult your local paint dealer for the appropriate product. NOTE: WE RECOMMEND A **WATER BASED MATERIAL**. OIL OR SOLVENT BASED FINISHING MATERIALS DEGRADE THE SKIRT BACKING MATERIAL.

It may become necessary to remove one or more of the skirt panels for major service access, **but all the panels must be securely in place during use of the spa.**

To detach any of the panels, first remove all screws from the panel being detached.

The panels can be re-attached to the spa by reversing the above procedure.

### FACTORY INSTALLED REDWOOD SKIRT

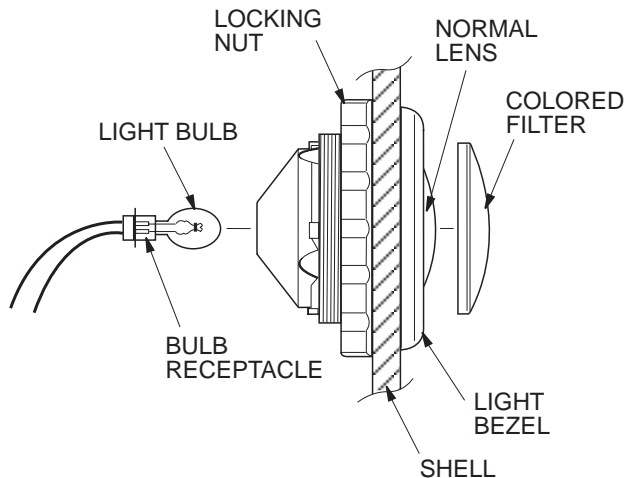


# MAINTENANCE

## Spa Light

Colored filters are provided with your spa. To change a filter, simply pull the filter out of the fitting and replace it with the desired colored filter. Replacement bulbs (#912) are also included. Put them in a safe place for future use. When a bulb burns out, replace it from the **back** of the light fitting, pulling out the bulb receptacle.

### LIGHT BULB REPLACEMENT



## Cleaning Your Spa

Your spa shell consists of two layers of plastic materials. Its smooth top surface of acrylic is tough and durable and contains concentrated color. This is supported by a substantial thickness of fiberglass-reinforced polyester resin. A catalyst causes a chemical reaction during manufacture that bonds these layers permanently into a hard, strong material. With a minimum amount of care and cleaning, your whirlpool spa will look new for years.

To clean your spa, simply use a mild, non-abrasive liquid detergent, isopropyl alcohol, or commercially prepared spa cleaner. **Do not use abrasive cleaners.** You can protect and restore the gloss to a dulled surface by applying Meguiar's #10 Mirror Glaze, which is a product specifically designed for use on acrylic finishes. If Meguiar's is not available, an acrylic polish of equal quality or automotive paste wax will do.

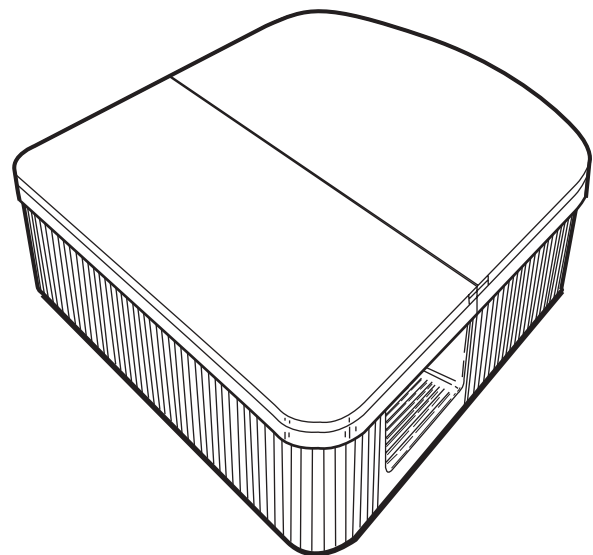
Use a spa cleaner for residue buildup at the water level of the spa surface. This may be applied to the acrylic surface with a soft cloth and wiped clean. Use sparingly in small amounts to avoid contaminating the spa water. If heavily soiled, it may be advisable to lower the water level 2-3 inches before cleaning; then refill to normal level.

## Covering Your Spa

An optional rigid spa cover is available to place on top of the spa. Use of this cover will help to minimize heat loss and evaporation, and thus reduce energy costs. The cover is also an attractive and efficient means of preventing debris such as leaves and dirt from entering your spa when not in use. Follow the instructions for use and care provided with the spa cover.

**CAUTION: While the spa cover is rigid, it is not designed to support any weight. Therefore, as a safety precaution and to preserve the life of your cover, you must not sit, stand, or lie on it; nor should you place objects of any kind on top of it.**

Jacuzzi Whirlpool Bath does not guarantee or warrant this cover. REFER TO SPA COVER MANUFACTURERS INFORMATION PROVIDED WITH THE COVER.



### TIRAGE SPA WITH OPTIONAL COVER

## Repairs to the Acrylic

Minor scratches which do not penetrate the color finish (acrylic) can be removed with 600-grit wet/dry sandpaper. Restore the glossy finish with Meguiar's #10 Mirror Glaze or comparable automotive paste wax.

Major scratches or gouges which penetrate the acrylic surface will require refinishing. Ask your Jacuzzi Whirlpool Bath dealer for special instructions.

# TROUBLESHOOTING GUIDE

**CAUTION:** This equipment requires qualified service personnel for proper repair. Contact your Jacuzzi Whirlpool Bath dealer or Authorized Service Agent for service.

PROBLEM	PROBABLE CAUSE	REMEDY
<b>1 . Control Switches do not respond.</b>	<ul style="list-style-type: none"> <li>A. Actuated too rapidly</li> <li>B. No power to the unit.</li> <li>C. High Temperature Safety Switch is tripped</li> </ul>	<ul style="list-style-type: none"> <li>A. Wait 60 seconds; system will be restored automatically.</li> <li>B. Turn on circuit breakers.</li> <li>C. Reset button on heater after water has cooled. See <b>*Note</b> if switch continues to trip.</li> </ul>
<b>2. Heater not functioning.</b>	<ul style="list-style-type: none"> <li>A. Heater mode not selected.</li> <li>B. No power to heater.</li> <li>C. Thermostat set lower than water temperature.</li> <li>D. High temperature safety switch tripped.</li> <li>E. Abnormally low water flow.</li> <li>F. Heater relay not operating.</li> <li>G. Heater element failure.</li> <li>H. Flow switch not operating.</li> </ul>	<ul style="list-style-type: none"> <li>A. Select HTR/FLTR mode.</li> <li>B. Check house circuit breaker and GFCI.</li> <li>C. Turn to desired temperature.</li> <li>D. Reset button on heater after water has cooled; see <b>*Note</b> if switch continues to trip.</li> <li>E. *</li> <li>F. *</li> <li>G. *</li> <li>H. Check flow switch and plug-in connection on System Control Module</li> </ul>
<b>3. Heater not functioning but HEATER light on.</b>	<ul style="list-style-type: none"> <li>A. Relay malfunction.</li> <li>B. Element malfunction.</li> <li>C. Heater plug loose.</li> </ul>	<ul style="list-style-type: none"> <li>A. *</li> <li>B. *</li> <li>C. Check Heater Plug connection</li> </ul>
<b>4. Water not clean.</b>	<ul style="list-style-type: none"> <li>A. Clogged or blocked suction strainer or skimmer basket.</li> <li>B. Filter clogged (dirty).</li> <li>C. Poor water chemistry.</li> <li>D. Insufficient filtering time.</li> <li>E. Improper maintenance.</li> <li>F. High content of solids in water.</li> <li>G. Filter motor plug not connected to System Control Module.</li> </ul>	<ul style="list-style-type: none"> <li>A. Clean strainer/skimmer basket</li> <li>B. Clean or replace.</li> <li>C. See "Chemistry" section.</li> <li>D. Run filter.</li> <li>E. See Maintenance section.</li> <li>F. Use clarifier or drain and refill spa.</li> <li>G. Check Filter Motor connection on System Control Module.</li> </ul>
<b>5. Abnormal water usage.</b>	<ul style="list-style-type: none"> <li>A. Leak in suction line, discharge line, or connections.</li> <li>B. Excessive evaporation and/or splashing.</li> </ul>	<ul style="list-style-type: none"> <li>A. Repair leak.</li> <li>B. Use rigid spa cover; lower thermostat setting.</li> </ul>
<b>6. Low water flow from jets.</b>	<ul style="list-style-type: none"> <li>A. Normal operation in FILTER or HTR/FLTR or AIR mode.</li> <li>B. Low water level.</li> <li>C. Clogged or blocked suction strainer or skimmer basket.</li> <li>D. Dirty filter.</li> <li>E. Adjustable jet partially closed.</li> </ul>	<ul style="list-style-type: none"> <li>A. Select JETS mode for maximum flow.</li> <li>B. Fill to water level indicator mark on skimmer/filter frame.</li> <li>C. Clean strainers or skimmer baskets.</li> <li>D. Clean or replace.</li> <li>E. Open jet.</li> </ul>

**\*Note:** The skills and tools necessary for the safe repair of this spa require the services of qualified service personnel. Contact your Jacuzzi Whirlpool Bath Authorized Service Agent or Dealer.

# TROUBLESHOOTING GUIDE

<i>PROBLEM</i>	<i>PROBABLE CAUSE</i>	<i>REMEDY</i>
<b>6. Low water flow from jets.</b> (Continued)	F. Suction or discharge line partially plugged. G. Pump running at subnormal speed. H. Worn or damaged pump seal. I. Subnormal voltage.	F. Open jet. G. * H. * I. Call an electrician or your power company.
<b>7. No water flow from jets.</b>	A. Power turned off. B. Selector switch in OFF. C. House circuit breaker tripped; no power to system. D. Spa circuit protector tripped. E. High temperature safety switch tripped. F. GFCI tripped. G. Faulty pump or motor. H. Motor(s) not connected. I. Jet (or jets) closed.	A. Turn on power at service panel. B. Select other function. C. Reset circuit breaker. D. Reset circuit protector. E. Reset button on heater after water has cooled; see <b>*Note</b> if switch continues to trip. F. Reset GFCI G. * H. Check motor plug connection on System Control Module. I. Open jet.
<b>8. Noisy pump and motor.</b>	A. Clogged strainer(s). B. Leakage of air into suction line. C. Vibrating parts attached to motor support brackets D. Low water level. E. Damaged or worn motor bearings. F. Impeller rubbing inside case. G. Debris inside pump. A. Clean strainer(s).	B. Locate and repair leaks. C. Tighten fasteners. D. Add water to normal water level. E. * F. * G. *
<b>9. Water leakage at pump shaft (rotating connection between pump and motor).</b>	A. Worn or damaged pump seal.	A. *
<b>10. Motor will not start.</b>	A. Power off. B. OFF mode selected. C. House circuit breaker tripped or in OFF position. D. Spa circuit protectors tripped. E. GFCI tripped. F. Improper or defective wiring. G. High temperature safety switch tripped. A. Turn on power at service	panel. B. Select FILTER, HTR/FLTR, or JETS mode. C. Reset circuit breaker. D. Reset circuit protectors. E. Reset GFCI. F. * G. Reset button on heater after water has cooled; see <b>*Note</b> if switch continues to trip.

**\*Note:** The skills and tools necessary for the safe repair of this spa require the services of qualified service personnel. Contact your Jacuzzi Whirlpool Bath Authorized Service Agent or Dealer.

# TROUBLESHOOTING GUIDE

PROBLEM	PROBABLE CAUSE	REMEDY
<b>10. Motor will not start.</b> (Continued)	H. Subnormal voltage. I. Locked shaft or impeller. J. Motor windings burned out. K. Defective starting switch inside motor.	H. Call an electrician or your power company. I. * J. * K. *
<b>11. Motor stops.</b>	A. Motor overload condition. B. Selector switch failure. C. Relay failure. D. Inadequate supply wiring. E. High temperature safety switch tripped.	A. Let cool for one hour. Motor overload will reset; if problem persists, see <b>*Note</b> . B. * C. * D. Consult electrician to correct wiring to unit. E. Reset button on heater after water has cooled; see <b>*Note</b> if switch continues to trip.
<b>12. Air Blower does not operate.</b>	A. Power off. B. ACCESSORY switch in OFF. C. House circuit breaker tripped, no power to system. D. GFCI tripped. E. Faulty motor.	A. Turn on power at service panel. B. Select other function. C. Reset circuit breaker. D. Reset GFCI. E. *

**\*Note:** The skills and tools necessary for the safe repair of this spa require the services of qualified service personnel. Contact your Jacuzzi Whirlpool Bath Authorized Service Agent or Dealer.

## Alternate Use of Water Rainbow Spout as Fill Spout

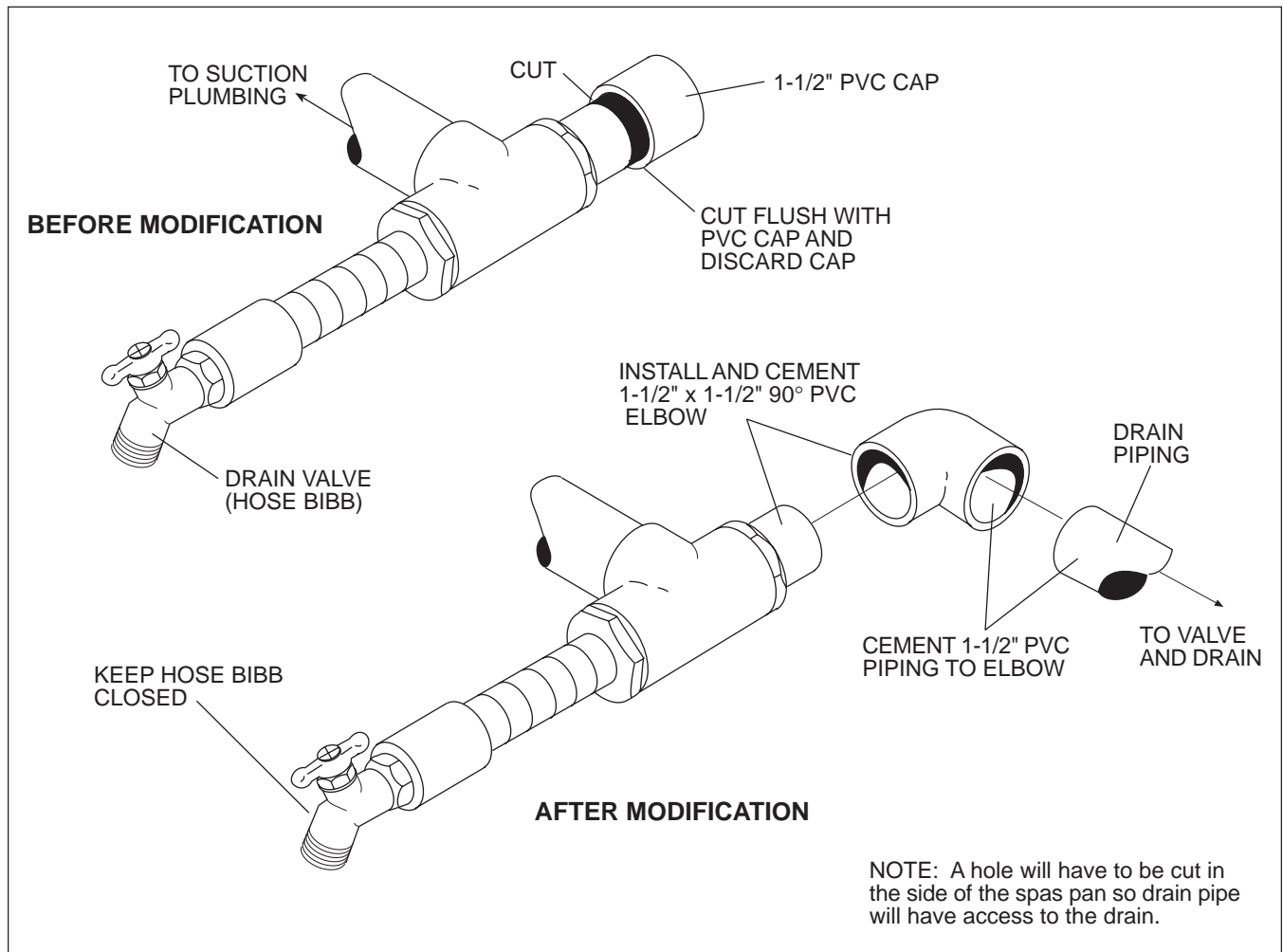
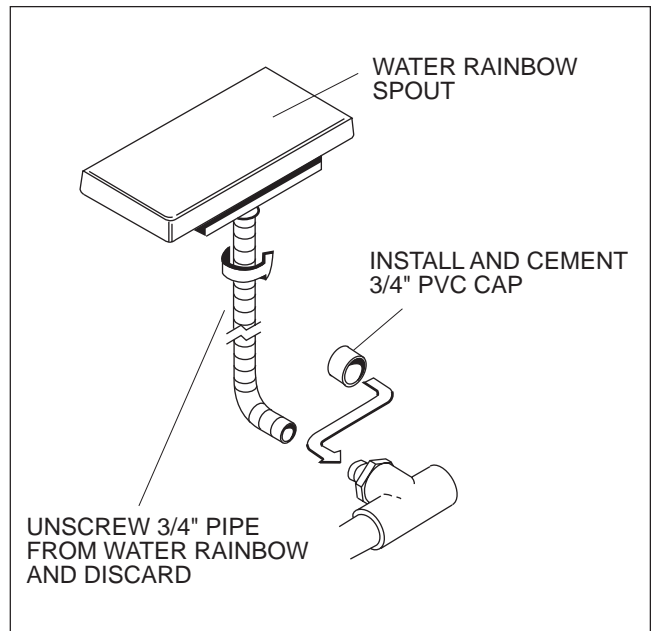
You can use your Water Rainbow spout as a fill spout by permanently plumbing it to a fresh water supply if local codes permit. Local plumbing codes may require the use of an anti-siphon valve for such a connection. **Do not inter-connect water supply with recirculating system of the spa.**

To make the connections necessary to use the Water Rainbow as a fill spout, follow this procedure:

- Make sure power to the spa has been turned off and that the spa is completely drained.
- Unscrew the spout from the 3/4" pipe.
- Cut 3/4" piping as shown in the illustration below.
- Cap off the piping by cementing a 3/4" PVC cap where cut has been made.
- Connect permanent plumbing line to the spout.

### Optional 1-1/2" Permanent Drain

If you wish to connect a permanent drain line to the 1-1/2" plumbing of the spa, you may modify the plumbing as shown in the illustration as shown in the illustration on this page. Note that none of the piping required for the modification is provided. Consult local codes before modifying.



NOTE: A hole will have to be cut in the side of the spas pan so drain pipe will have access to the drain.

**PRODUCT SPECIFICATIONS ARE SUBJECT TO CHANGE WITHOUT NOTICE.  
USE INSTALLATION INSTRUCTIONS SUPPLIED WITH PRODUCT.**

Jacuzzi Whirlpool Bath has obtained applicable code (standards) listings generally available on a national basis for products of this type. It is the responsibility of the installer/owner to determine specific local code compliance prior to installation of the product. Jacuzzi Whirlpool Bath makes no representation or warranty regarding, and will not be responsible for any code compliance.

---

## **JACUZZI WHIRLPOOL BATH**

**Jacuzzi Whirlpool Bath National Headquarters**  
P.O. Drawer J, Walnut Creek, CA 94596 (510) 938-7070  
Service Support: Call (800) 288-4002

©1989 Jacuzzi Whirlpool Bath C787000 B 1/94



Printed on Recycled Paper

Printed in the U.S.A.

## Free Manuals Download Website

<http://myh66.com>

<http://usermanuals.us>

<http://www.somanuals.com>

<http://www.4manuals.cc>

<http://www.manual-lib.com>

<http://www.404manual.com>

<http://www.luxmanual.com>

<http://aubethermostatmanual.com>

Golf course search by state

<http://golfingnear.com>

Email search by domain

<http://emailbydomain.com>

Auto manuals search

<http://auto.somanuals.com>

TV manuals search

<http://tv.somanuals.com>