



# *Espree™ Series*

## **INSTALLATION AND OPERATING INSTRUCTIONS**

Installer: Leave this manual for homeowner.  
Homeowner: Read this manual and keep for future reference.

# IMPORTANT SAFETY INSTRUCTIONS

## READ AND FOLLOW ALL INSTRUCTIONS

### SAVE THESE INSTRUCTIONS

 **CAUTION:** TEST THE GROUND FAULT CIRCUIT INTERRUPTER PROTECTING THIS APPLIANCE PERIODICALLY IN ACCORDANCE WITH MANUFACTURER'S INSTRUCTIONS.

**WARNING:** RISK OF ACCIDENTAL INJURY OR DROWNING; CHILDREN SHOULD NOT USE HYDROMASSAGE BATHTUB WITHOUT ADULT SUPERVISION.

**WARNING:** TO AVOID INJURY, EXERCISE CAUTION WHEN ENTERING OR EXITING THE HYDROMASSAGE BATHTUB

**WARNING:** RISK OF ACCIDENTAL INJURY OR DROWNING; DO NOT USE HYDROMASSAGE BATHTUB UNLESS ALL SUCTION GUARDS ARE INSTALLED TO PREVENT BODY AND HAIR ENTRAPMENT.

**WARNING:** KEEP BODY AND HAIR A MINIMUM OF 6" (15 CM) AWAY FROM SUCTION FITTING AT ALL TIMES WHEN THE WHIRLPOOL SYSTEM IS OPERATING. HAIR LONGER THAN SHOULDER LENGTH SHOULD BE SECURED CLOSE TO THE HEAD.

**WARNING:** NEVER DROP OR INSERT ANY OBJECT INTO ANY OPENING.

**WARNING:** RISK OF ELECTRICAL SHOCK; DO NOT PERMIT ELECTRICAL APPLIANCES (SUCH AS HAIR DRYER, LAMP, TELEPHONE, RADIO OR TELEVISION) WITHIN 60" (1.5 M) OF THIS HYDROMASSAGE BATHTUB.

**WARNING:** RISK OF ACCIDENTAL INJURY OR DROWNING; DO NOT USE DRUGS OR ALCOHOL BEFORE OR DURING THE USE OF HYDROMASSAGE BATHTUB EQUIPPED WITH A HEATER TO AVOID UNCONSCIOUSNESS AND POSSIBLE DROWNING.

**WARNING:** RISK OF FETAL INJURY; PREGNANT OR POSSIBLY PREGNANT WOMEN SHOULD CONSULT A PHYSICIAN BEFORE USING A HYDROMASSAGE BATHTUB EQUIPPED WITH A HEATER.

**WARNING:** RISK OF HYPERTHERMIA AND POSSIBLE DROWNING; DO NOT USE A HYDROMASSAGE BATHTUB EQUIPPED WITH A HEATER IMMEDIATELY FOLLOWING STRENUOUS EXERCISE.

**WARNING:** RISK OF HYPERTHERMIA AND POSSIBLE DROWNING; WATER TEMPERATURE IN EXCESS OF 104°F (40° C) MAY BE INJURIOUS TO YOUR HEALTH. CHECK AND ADJUST WATER TEMPERATURE BEFORE USE.

**WARNING:** RISK OF HYPERTHERMIA; PEOPLE USING MEDICATIONS AND/OR HAVING AN ADVERSE MEDICAL HISTORY SHOULD CONSULT A PHYSICIAN BEFORE USING A HYDROMASSAGE BATHTUB EQUIPPED WITH A HEATER.

AN EQUIPMENT GROUNDING TERMINAL IS PROVIDED IN THE FIELD WIRING COMPARTMENT. TO REDUCE THE RISK OF ELECTRICAL SHOCK, THIS TERMINAL MUST BE CONNECTED TO THE GROUNDING MEANS PROVIDED IN THE ELECTRICAL SUPPLY PANEL WITH A CONNECTOR EQUIVALENT IN SIZE TO THE CIRCUIT CONNECTORS SUPPLYING THIS EQUIPMENT.

## PRECAUTIONS

- Do not operate the whirlpool system unless the bath is filled with water to at least 1" (25 mm) above the highest jet.
- Never drop or insert any object into any opening.
- Do not use oil-based bath additives in your whirlpool bath.
- When cleaning your bath, do not use abrasive substances which will damage the bath's surface.
- To prevent discoloration of the acrylic finish, do not fill the bath with water in excess of 140°F (60°C).
- The whirlpool system should be purged at least twice a month. For your convenience, we have developed a plumbing system cleaner (Systems Clean™) specifically for whirlpool baths. For availability call 1-800-288-4002.
- Use this unit only for its intended purpose as described in this manual. Do not use attachments not recommended by the manufacturer.
- This unit must be connected only to a supply circuit that is protected by a ground fault circuit interrupter (GFCI). Such a GFCI should be provided by the installer and should be tested on a routine basis. To test the GFCI, push the test button. The GFCI should interrupt power. Push the reset button. Power should be restored. If the GFCI fails to operate in this manner, there is a ground current flowing, indicating a possibility of an electric shock. Do not use this unit. Disconnect the unit and have the problem corrected by a qualified electrician before using.
- A pressure wire connector is provided on the exterior of the motor to permit connection of an No. 8 AWG (8.4 mm) solid copper bonding conductor between this unit and all other electric equipment and exposed metal in the vicinity, as needed to comply with local requirements.
- This unit should be installed by a licensed electrician and grounded.
- For built-in and drop-in units, install to permit access for servicing.

**NOTE: This is a professional grade product. A knowledge of construction techniques, plumbing and electrical installation according to codes are required for proper installation and user satisfaction. We recommend that a licensed contractor perform the installation of all Jacuzzi Whirlpool Bath products. Our warranty does not cover improper installation related problems.**



# ADDENDUM

## Safety Instructions Change

### IMPORTANT SAFETY INSTRUCTIONS READ AND FOLLOW ALL INSTRUCTIONS SAVE THESE INSTRUCTIONS

#### INSTRUCTIONS PERTAINING TO A RISK OF FIRE, ELECTRIC SHOCK, OR INJURY TO PERSONS

**WARNING** — WHEN USING THIS UNIT, BASIC PRECAUTIONS SHOULD ALWAYS BE FOLLOWED, INCLUDING THE FOLLOWING:

**DANGER:** TO REDUCE THE RISK OF INJURY, DO NOT PERMIT CHILDREN TO USE THIS UNIT UNLESS THEY ARE CLOSELY SUPERVISED AT ALL TIMES.

**WARNING** — USE THIS UNIT ONLY FOR ITS INTENDED USE AS DESCRIBED IN THIS MANUAL. DO NOT USE ATTACHMENTS NOT RECOMMENDED BY THE MANUFACTURER.

**WARNING** — NEVER DROP OR INSERT ANY OBJECT INTO ANY OPENING.

**WARNING** — DO NOT OPERATE THIS UNIT WITHOUT THE GUARD OVER THE SUCTION FITTING.

**WARNING** — THIS UNIT MUST BE CONNECTED ONLY TO A SUPPLY CIRCUIT THAT IS PROTECTED BY A GROUND FAULT CIRCUIT INTERRUPTER (GFCI). SUCH A GFCI SHOULD BE PROVIDED BY THE INSTALLER AND SHOULD BE TESTED ON A ROUTINE BASIS. TO TEST THE GFCI, PUSH THE TEST BUTTON. THE GFCI SHOULD INTERRUPT POWER. PUSH THE RESET BUTTON. POWER SHOULD BE RESTORED. IF THE GFCI FAILS TO OPERATE IN THIS MANNER, THE GFCI IS DEFECTIVE. IF THE GFCI INTERRUPTS POWER TO THE BATHTUB WITHOUT THE TEST BUTTON BEING PUSHED, A GROUND CURRENT FLOWING, INDICATING A POSSIBILITY OF AN ELECTRIC SHOCK. DO NOT USE THIS HYDROMASSAGE BATHTUB. DISCONNECT THE HYDROMASSAGE BATHTUB AND HAVE THE PROBLEM CORRECTED BY A QUALIFIED SERVICE REPRESENTATIVE BEFORE USING.

**WARNING:** (FOR PERMANENTLY CONNECTED UNITS) A GREEN COLORED TERMINAL (OR A WIRE CONNECTOR MARKED "G", "GR", "GROUND", OR "GROUNDING") IS PROVIDED WITHIN THE TERMINAL COMPARTMENT. TO REDUCE THE RISK OF ELECTRIC SHOCK, CONNECT THE TERMINAL OR CONNECTOR TO THE GROUNDING TERMINAL OF YOUR ELECTRIC SERVICE OR SUPPLY PANEL WITH A CONDUCTOR EQUIVALENT IN SIZE TO THE CIRCUIT CONDUCTORS SUPPLYING THIS EQUIPMENT.

### OPERATING INSTRUCTIONS

**WARNING** — PROLONGED IMMERSION IN HOT WATER MAY INDUCE HYPERTHERMIA. HYPERTHERMIA OCCURS WHEN THE INTERNAL TEMPERATURE OF THE BODY REACHES A LEVEL SEVERAL DEGREES ABOVE THE NORMAL BODY TEMPERATURE OF 98.6°F. THE SYMPTOMS OF HYPERTHERMIA INCLUDE AN INCREASE IN THE INTERNAL TEMPERATURE OF THE BODY, DIZZINESS, LETHARGY, DROWSINESS AND FAINTING. THE EFFECTS OF HYPERTHERMIA INCLUDE:

- A) FAILURE TO PERCEIVE HEAT
- B) FAILURE TO RECOGNIZE THE NEED TO EXIT THE SPA OR HOT TUB,
- C) UNAWARENESS OF IMPENDING HAZARD,
- D) FETAL DAMAGE IN PREGNANT WOMEN,
- E) PHYSICAL INABILITY TO EXIT THE SPA OR HOT TUB, AND
- F) UNCONSCIOUSNESS RESULTING IN DANGER OF DROWNING.

**WARNING** — THE USE OF ALCOHOL, DRUGS OR MEDICATION CAN GREATLY INCREASE THE RISK OF FATAL HYPERTHERMIA.

**WARNING** — DO NOT TAMPER WITH USER-OPERATED CONTROLS OR SUCH DEVICES.



# INSTALLATION INSTRUCTIONS

**WARNING** — WHEN USING THIS UNIT, BASIC PRECAUTIONS SHOULD ALWAYS BE FOLLOWED, INCLUDING THE FOLLOWING:

**DANGER** — RISK OF ELECTRIC SHOCK. CONNECT ONLY TO A CIRCUIT PROTECTED BY A GROUND FAULT CIRCUIT INTERRUPTER (GFCI).

 **CAUTION** — TEST THE GROUND FAULT CIRCUIT INTERRUPTER PROTECTING THIS APPLIANCE PERIODICALLY IN ACCORDANCE WITH MANUFACTURER'S INSTRUCTIONS.

**WARNING** — USE THIS UNIT ONLY FOR ITS INTENDED USE AS DESCRIBED IN THIS MANUAL. DO NOT USE ATTACHMENTS NOT RECOMMENDED BY THE MANUFACTURERS.

**WARNING** — TO AVOID INJURY, EXERCISE CAUTION WHEN ENTERING OR EXITING THE HYDROMASSAGE BATHTUB.

**WARNING** — KEEP BODY AND HAIR A MINIMUM OF 6" AWAY FROM SUCTION FITTING AT ALL TIMES WHEN THE HYDROMASSAGE SYSTEM IS OPERATING. HAIR LONGER THAN SHOULDER LENGTH SHOULD BE SECURED CLOSE TO THE HEAD.

**WARNING** — RISK OF ELECTRICAL SHOCK; DO NOT PERMIT ELECTRICAL APPLIANCES (SUCH AS HAIR DRYER, LAMP, TELEPHONE, RADIO OR TELEVISION) WITHIN 60" (1.5 M) OF THIS HYDROMASSAGE BATHTUB.

**WARNING** — RISK OF ACCIDENTAL INJURY OR DROWNING; DO NOT USE DRUGS OR ALCOHOL BEFORE OR DURING THE USE OF HYDROMASSAGE BATHTUB EQUIPPED WITH A HEATER TO AVOID UNCONSCIOUSNESS AND POSSIBLE DROWNING.

**WARNING** — RISK OF FETAL INJURY; PREGNANT OR POSSIBLY PREGNANT WOMEN SHOULD CONSULT A PHYSICIAN BEFORE USING A HYDROMASSAGE BATHTUB EQUIPPED WITH A HEATER.

**WARNING** — RISK OF HYPERTHERMIA AND POSSIBLE DROWNING; DO NOT USE A HYDROMASSAGE BATHTUB EQUIPPED WITH A HEATER IMMEDIATELY FOLLOWING STRENUOUS EXERCISE.

**WARNING** — RISK OF HYPERTHERMIA AND POSSIBLE DROWNING; WATER TEMPERATURE IN EXCESS OF 104°F (40°C) MAY BE INJURIOUS TO YOUR HEALTH. CHECK AND ADJUST WATER TEMPERATURE BEFORE USE.

**WARNING** — RISK OF HYPERTHERMIA; PEOPLE USING MEDICATIONS AND/OR HAVING AN ADVERSE MEDICAL HISTORY SHOULD CONSULT A PHYSICIAN BEFORE USING A HYDROMASSAGE BATHTUB EQUIPPED WITH A HEATER.

FOR BUILT-IN AND DROP-IN UNITS, INSTALL TO PERMIT ACCESS FOR SERVICING.

THIS UNIT SHOULD BE ELECTRICALLY GROUNDED AND INSTALLED BY A LICENSED CONTRACTOR, ELECTRICIAN, AND PLUMBER.

BUILDING MATERIALS AND WIRING SHOULD BE ROUTED AWAY FROM THE MOTOR/PUMP OR BLOWER OR OTHER HEAT PRODUCING COMPONENTS OF THIS UNIT.

A PRESSURE WIRE CONNECTOR IS PROVIDED ON THE EXTERIOR OF THE MOTOR/PUMP AND HEATER TO PERMIT CONNECTION OF AN NO. 8 AWG (8.4 MM) SOLID COPPER BONDING CONDUCTOR BETWEEN THIS UNIT AND ALL OTHER ELECTRIC EQUIPMENT AND EXPOSED METAL IN THE VICINITY, AS NEEDED TO COMPLY WITH LOCAL REQUIREMENTS.

## PRECAUTIONS

- Do not operate the hydromassage system unless the bath is filled with water to at least 1" above the highest jet.
- Do not immerse the control panel by overfilling the bath.
- Do not use oil-based bath additives in your hydromassage bath.
- When cleaning your bath, do not use abrasive substances which will damage the bath's surface.
- To prevent discoloration of the acrylic finish, do not fill the bath with water in excess of 140°F (60°C).

**NOTE: This is a professional grade product. A knowledge of construction techniques, plumbing and electrical installation according to codes are required for proper installation and user satisfaction. We recommend that a licensed contractor perform the installation of all Jacuzzi Whirlpool Bath® products. Our warranty does not cover improper installation related problems.**

**PRODUCT SPECIFICATIONS ARE SUBJECT TO CHANGE WITHOUT NOTICE.**

**USE INSTALLATION INSTRUCTIONS SUPPLIED WITH PRODUCT.**

The Company has obtained applicable code (standards) listings generally available on a national basis for products of this type. It is the responsibility of the installer/owner to determine specific local code compliance prior to installation of the product. The Company makes no representation or warranty regarding, and will not be responsible for any code compliance.



Printed on Recycled Paper

©2005 Jacuzzi Whirlpool Bath DA38000A 06/05

Printed in the U.S.A.

# CONTENTS

Specifications _____	1-2
Roughing-in Reference _____	3-4
Installation _____	5-8
Framing and Support _____	5
Service Access _____	6
Electrical Connections _____	7
Plumbing and Water Supply _____	8
Operation _____	9-10
Maintenance _____	11
Troubleshooting _____	12
Authorized Service _____	13
Repair Parts _____	14-18
BMH Jet & 1 Position Air Control _____	14
2 Position Control (Air & Pump/Motor ON/OFF) _____	15
HTC Jet & Suction Assembly _____	16
Back Massage Jet Assembly _____	16
3 Position Control _____	17
Pump/Motor Assembly, RapidHeat™ Heater, Union Repair Kit, Air Actuated Switch & Strain Relief _____	18
Warranty _____	19-20

## ***Owner's Record***

Date Purchased \_\_\_\_\_

Purchased From \_\_\_\_\_

Installed By \_\_\_\_\_

Serial Number \_\_\_\_\_

Model \_\_\_\_\_

NOTE: To obtain a referral for a service agent in your area call 800-288-4002. You may also visit our web site at <http://www.jacuzzi.com/>. To find the service agent listing, click on [For The Trade](#). Then click on [Electrical/Mechanical Service Agents](#). Depending on the problem, click on [Electrical/Mechanical Repairs](#) or [Finish, Surface or Shell-Related Problems](#) or [Repair Parts or Accessories](#) for a listing of authorized agents, contractors, or distributors.

# SPECIFICATIONS

## Important: Read complete instructions before beginning installation.

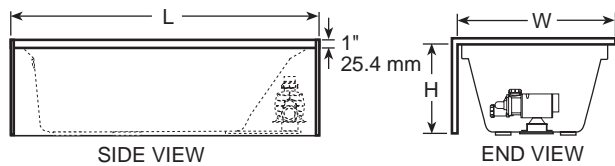
Each whirlpool bath arrives ready for installation, completely equipped with motor/pump assembly and plumbing and fittings necessary for whirlpool operation. An optional drain/overflow kit is available for installation on the bath.

Remove the bath from the carton. Retain the shipping carton until satisfactory inspection of the product has been made. **Do not lift the bath by the plumbing at any time; handle by the shell only.**

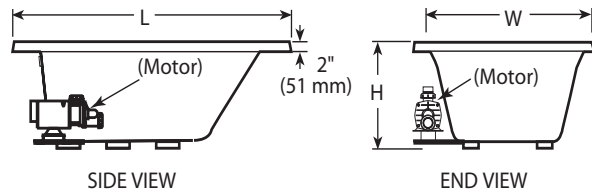
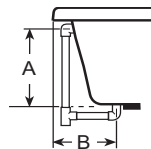
Immediately upon receipt, inspect the shell before installing. Should inspection reveal any damage or defect in the finish, do not install the bath. Damage or defect to the finish claimed after the bath is installed is excluded from the warranty. Jacuzzi Whirlpool Bath's responsibility for shipping damage ceases upon delivery of the products in good order to the carrier. Refer any claims for damage to the carrier. For definitions of warranty coverage and limitations, refer to the published warranty information packed with the product.

All bath units are factory tested for proper operation and watertight connections prior to shipping. **NOTE: Prior to installation, the bath must be filled with water and operated to check for leaks that may have resulted from shipping damage or mishandling.** Jacuzzi Whirlpool Bath is not responsible for any defect that could have been discovered, repaired, or avoided by following this inspection and testing procedure.

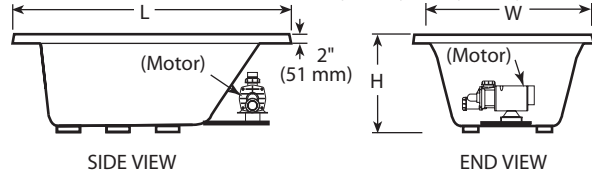
### RECTANGULAR BATHS



### BATHS WITH INTEGRAL SKIRT



### BATHS WITHOUT INTEGRAL SKIRT, 6036, 6042, 7236, & 7242



### SPECIFICATIONS (Rectangular)

### DRAIN/OVERFLOW

### BATHS WITHOUT INTEGRAL SKIRT, 542BM & 6032

MODEL	DIMENSIONS	DRAIN/OVERFLOW DIMENSIONS	CUTOUT	TOTAL WEIGHT/FLOOR LOADING	AVERAGE OPERATING GALLONAGE	PRODUCT WEIGHT	SKIRT & MOUNTING	HEATER READY FOR FIELD INSTALLATION
ESPREE 542** BACK MASSAGE	60" (1524 mm) L 42" (1067 mm) W 20" (508 mm) H	16-7/8" (429 mm) A 15-5/8" (397 mm) B	58" x 40" (1473 mm x 1016 mm)	936 lb (425 kg)/ 54 lb/sq. ft. (263 kg/m <sup>2</sup> )	58 Min U.S. gal (425 liters) 66 Max U.S. gal (250 liters)	128 lb (58 kg)	Not Available	Yes (S750000 HEATER KIT)
ESPREE 6032	60" (1524 mm) L 32" (813 mm) W 22" (559 mm) H	18-1/16" (459 mm) A 10-1/4" (273 mm) B	See Page 4	785 lb (357 kg)/ 59 lb/sq. ft. (288 kg/m <sup>2</sup> )	50 Min U.S. gal (189 liters) 58 Max U.S. gal (220 liters)	102 lb (46 kg)	Not Available	Yes (S750000 HEATER KIT)
ESPREE 6032 WITH INTEGRAL SKIRT	60" (1524 mm) L* 32" (813 mm) W 22" (559 mm) H	16-7/8" (429 mm) A 10-13/16" (275 mm) B	NA	785 lb (357 kg)/ 59 lb/sq. ft. (288 kg/m <sup>2</sup> )	50 Min U.S. gal (189 liters) 58 Max U.S. gal (220 liters)	113 lb (51 kg)	Integral	Yes (S750000 HEATER KIT)
ESPREE 6036	60" (1524 mm) L 36" (914 mm) W 20" (508 mm) H	16-7/8" (429 mm) A 15-5/8" (397 mm) B	58" x 34" (1473 mm x 863 mm)	825 lb (375 kg)/ 55 lb/sq. ft. (268 kg/m <sup>2</sup> )	50 Min U.S. gal (189 liters) 61 Max U.S. gal (231 liters)	117 lb (53 kg)	Not Available	Yes (U395000 HEATER KIT)
ESPREE 6042	60" (1524 mm) L 42" (1067 mm) W 20" (508 mm) H	16-7/8" (429 mm) A 15-5/8" (397 mm) B	58" x 40" (1473 mm x 1016 mm)	936 lb (425 kg)/ 67 lb/sq. ft. (326 kg/m <sup>2</sup> )	60 Min U.S. gal (227 liters) 68 Max U.S. gal (257 liters)	127 lb (58 kg)	Not Available	Yes (S750000 HEATER KIT)
ESPREE 6042 WITH INTEGRAL SKIRT	60" (1524 mm) L* 42" (1067 mm) W 20" (508 mm) H	16-7/8" (429 mm) A 10-13/16" (275 mm) B	NA	893 lb (406 kg)/ 51 lb/sq. ft. (249 kg/m <sup>2</sup> )	60 Min U.S. gal (227 liters) 68 Max U.S. gal (257 liters)	127 lb (57 kg)	Integral	Yes (S750000 HEATER KIT)
ESPREE 7236	72" (1829 mm) L 36" (914 mm) W 20" (508 mm) H	16-7/8" (432 mm) A 15-5/8" (394 mm) B	70" X 34" (1778 mm x 863 mm)	911 lb (414 kg)/ 51 lb/sq. ft. (249 kg/m <sup>2</sup> )	64 Min U.S. gal (242 liters) 73 Max U.S. gal (276 liters)	120 lb (55 kg)	Not Available	Yes (U395000 HEATER KIT)
ESPREE 7242	72" (1829 mm) L 42" (1067 mm) W 20" (508 mm) H	16-7/8" (432 mm) A 15-5/8" (394 mm) B	70" X 40" (1778 mm x 1016 mm)	886 lb (403 kg)/ 42 lb/sq. ft. (205 kg/m <sup>2</sup> )	74 Min U.S. gal (280 liters) 89 Max U.S. gal (336 liters)	120 lb (55 kg)	Not Available	Yes (U395000 HEATER KIT)

\*Add 1/4" to this dimension when roughing-in for 3-wall niche.

**NOTE: The overall dimensions are nominal with a tolerance of +0 and -1/4".**

**FOR ALL UNITS:** Electrical Service Requirements: All require a dedicated GFCI protected separate circuit.

RapidHeat™: 120 VAC, 15 AMP, 60 Hz. dedicated GFCI protected separate circuit.

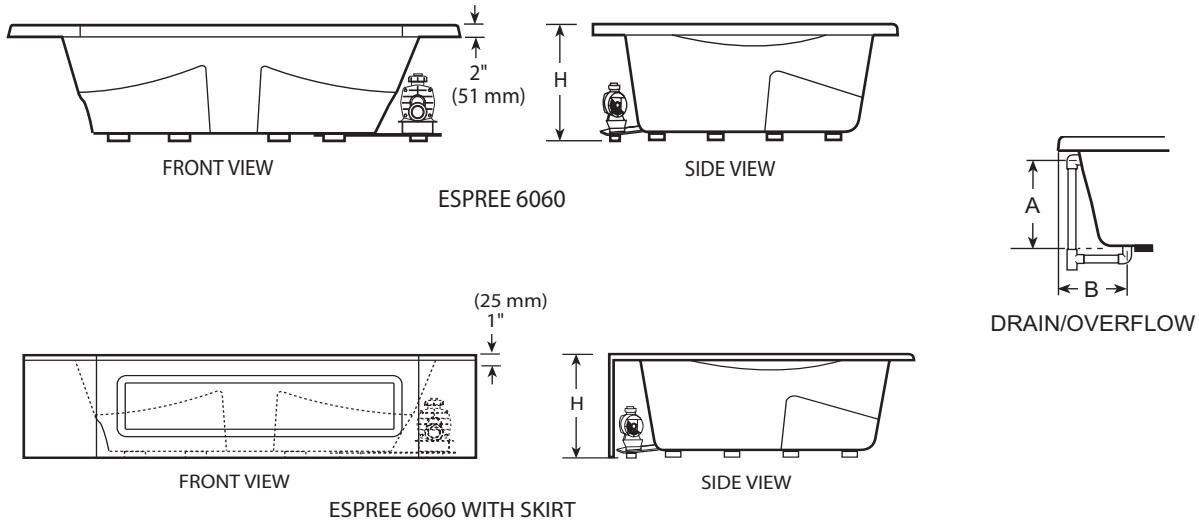
Motor/Pump: 120 VAC, 15 AMP, 60 Hz. dedicated GFCI protected separate circuit.

\*\*120 VAC, 20 AMP, 60Hz. \*120 VAC, 20 AMP, 60Hz.

# SPECIFICATIONS

## CORNER BATHS

ENGLISH



## SPECIFICATIONS (Corner)

MODEL	DIMENSIONS	DRAIN/OVERFLOW DIMENSIONS	CUTOUT	TOTAL WEIGHT/FLOOR LOADING	OPERATING GALLONAGE	PRODUCT WEIGHT	SKIRT & MOUNTING	HEATER READY FOR FIELD INSTALLATION
ESPREE 6060	60" (1524 mm) L 60" (1524 mm) L 22" (559 mm) H	18-1/2" (470 mm) A 12-1/4" (311 mm) B	See Page 4	888 lb (404 kg)/ 36 lb/sq. ft. (176 kg/m <sup>2</sup> )	68 Min U.S. gal (257 liters) 89 Max U.S. gal (336 liters)	122 lb (55 kg)	Not Available	Factory Installed (S750000 HEATER KIT)
ESPREE 6060 WITH INTEGRAL SKIRT	60" (1524 mm) L 60" (1524 mm) L 22" (559 mm) H	18-1/2" (470 mm) A 12-1/4" (311 mm) B	NA	888 lb (404 kg)/ 36 lb/sq. ft. (176 kg/m <sup>2</sup> )	68 Min U.S. gal (257 liters) 89 Max U.S. gal (336 liters)	122 lb (55 kg)	Integral	Factory Installed (U395000 HEATER KIT)

**NOTE: The overall dimensions are nominal with a tolerance of +0 and -1/4".**

**FOR ALL UNITS:** Electrical Service Requirements: All require a dedicated GFCI protected separate circuit.

RapidHeat™: 120 VAC, 15 AMP, 60 Hz. dedicated GFCI protected separate circuit.

Motor/Pump: 120 VAC, 15 AMP, 60 Hz. dedicated GFCI protected separate circuit.

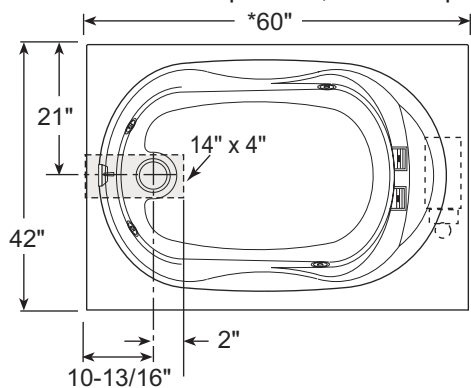
## OPTIONS FOR ALL UNITS

		Rotary Drain/Overflow Kit 8730XXX	RapidHeat™ In Line Heater
<b>Lamp Package 7701XXX</b>	<b>Jet Trim Kit X163XXX</b>		
959 White	805 Platinum	805 Platinum	Suction Side S750000
958 Almond	815 Satin Nickel	815 Satin Nickel	Discharge Side U395000
969 Oyster	826 Brushed Nickel	826 Brushed Nickel	
	827 Chrome	827 Chrome	
	829 PVD Brass	829 PVD Brass	
	898 Brushed Chrome	898 Brushed Chrome	
	845 Oil Rubbed Bronze	845 Oil Rubbed Bronze	

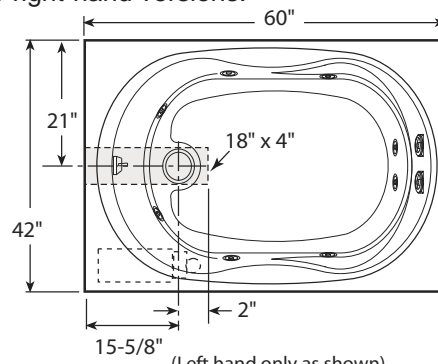


# ROUGH-IN

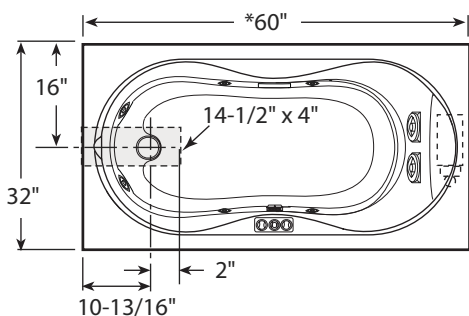
NOTE: Unless otherwise specified, units are produced with left or right-hand versions.



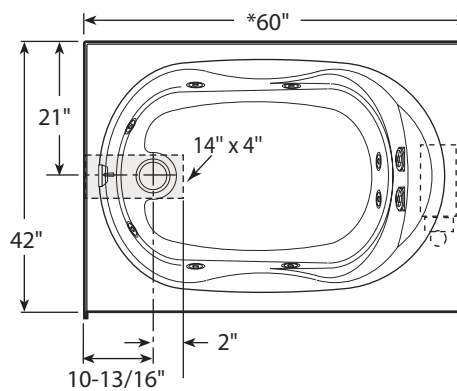
(Left hand shown)  
ESPREE 542 BM



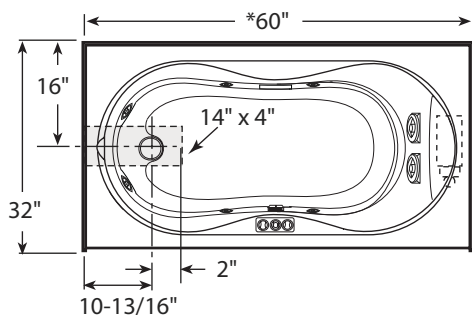
(Left hand only as shown)  
ESPREE 6042



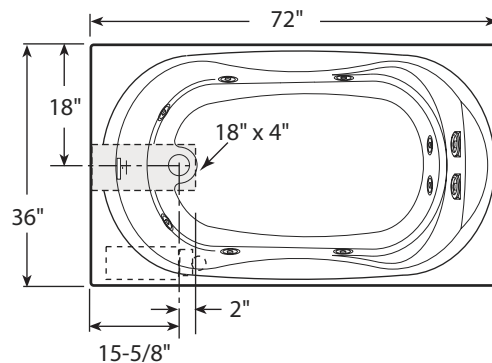
(Left hand only)  
ESPREE 6032



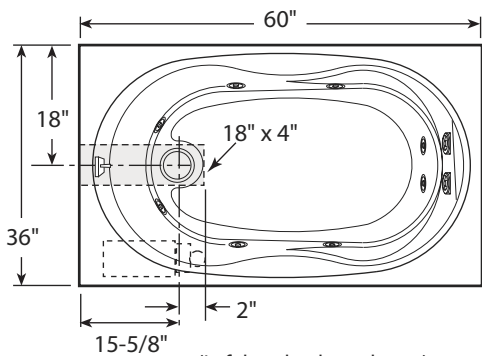
(Left hand shown)  
ESPREE 6042 WITH SKIRT



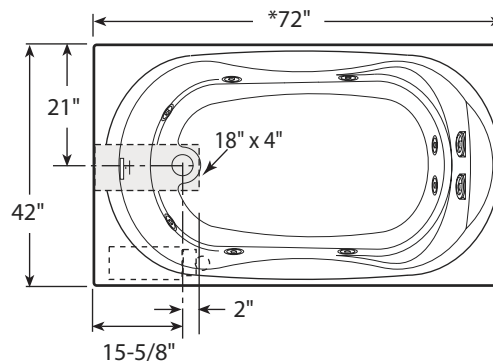
(Left hand shown)  
ESPREE 6032 WITH SKIRT



(Left hand only as shown)  
ESPREE 7236



(Left hand only as shown)  
ESPREE 6036

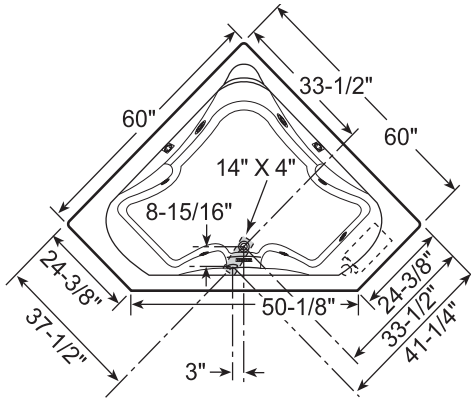


(Left hand only as shown)  
ESPREE 7242

- NOTE:
1. The overall dimensions are nominal with a tolerance of +0 and -1/4".
  2. \*Add 1/4" to this dimension when roughing-in for 3-wall niche.
  3. Measurements inside each unit represent cutout in floor to allow for drain/overflow.
  4. All measurements are in inches. To convert to millimeters, multiply inches by 25.4.

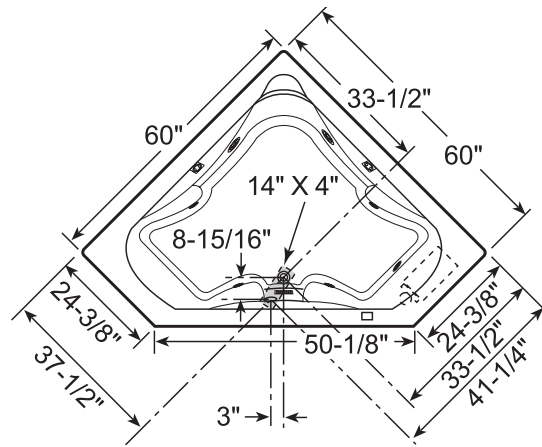
# ROUGH-IN

ENGLISH



(Right hand shown. Left hand is a mirror image)

ESPREE 6060 WITHOUT SKIRT



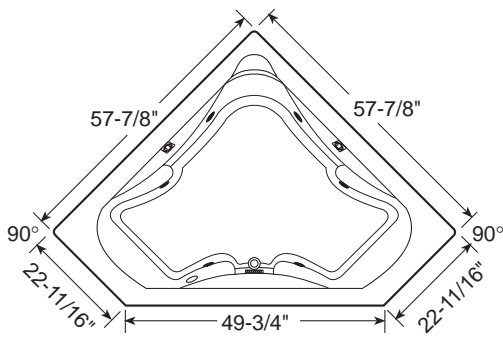
□ Junction Box

(Right hand only as shown)

ESPREE 6060 WITH INTEGRAL SKIRT

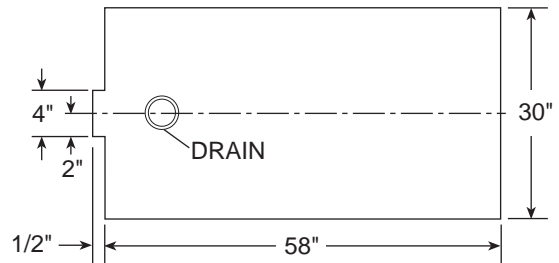
- NOTE: 1. The overall dimensions are nominal with a tolerance of +0 and -1/4".  
 2. Measurements inside each unit represent cutout in floor to allow for drain/overflow.  
 3. All measurements are in inches. To convert to millimeters, multiply inches by 25.4.

## 6060 CUTOUT



ESPREE 6060 WITHOUT SKIRT

## 6032 CUTOUT



ESPREE 6032 DROP-IN CUTOUT

# INSTALLATION

## Framing and Support

The drain/overflow of the bath extends below the bottom of the bath. Note that this requires a cutout in the floor.

**The floor structure beneath the bath must be able to support a total weight of bath, water, and bather. Refer to the table under total weight for your model.** The unit must be supported from the bottom of the bath and **not** from the bath rim or tile flange. If the subfloor is level and a continuous surface, no other preparation is necessary. You can proceed to install the bath. If the subfloor is not level, you **MUST** level the entire surface prior to installing the bath. The use of materials that shim or provide a level installation are allowed provided the method used will insure a level bath that is supported from the bottom. Materials that may be used are a floor leveling compound, mortar, plaster or minimal expansion structural foam having a density of a minimum of 5 lbs/cubic ft.; however the bath must remain level in order for it to drain properly and all foam feet must make full contact with the leveling material. Both sides of a joint or splice of subfloor should be level to each other. **When attaching baths with flanges to stud wall, use shims to fill any gaps between the bath flange and studs.**

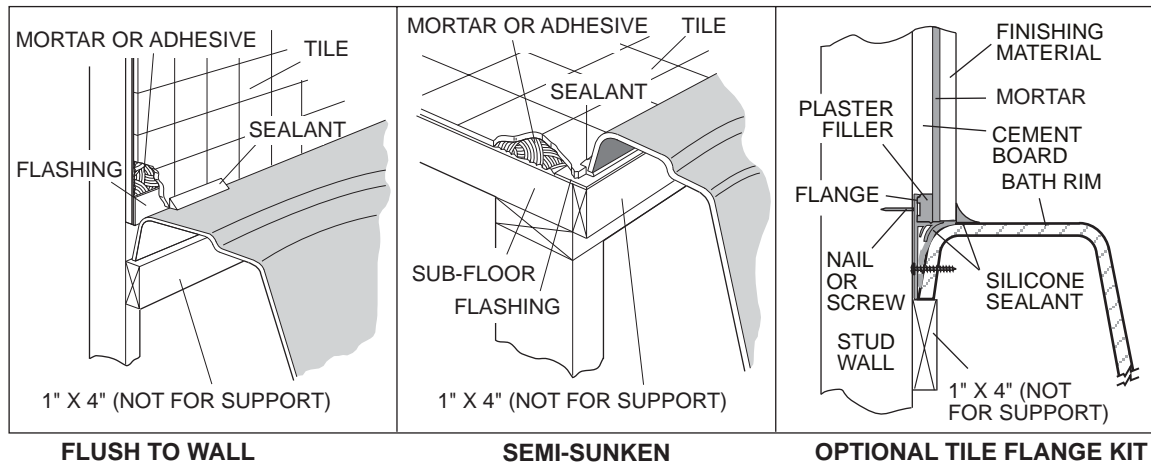
The rim of the bath is not designed to support weight. If finish material is to overlap or contact the bath, the added weight must be fully self-supporting.

**The protective film liner inside the bath is used to prevent damage to the finish during installation. Before installation, remove liner to inspect for any defects, reapply and do not remove until final cleanup.**

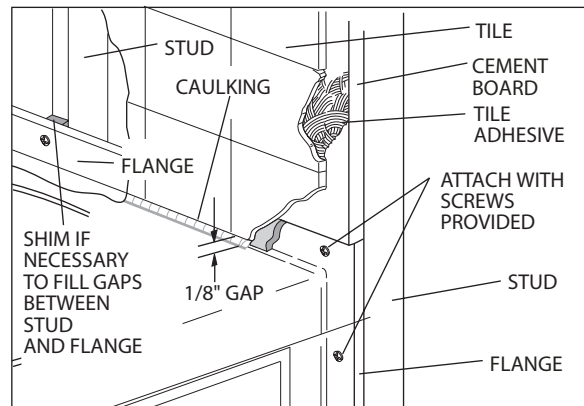
**Important: If a skirt is to be used, it must be installed at the time of unit installation – refer to skirt installation instructions.** Install optional trim parts when all installation has been completed.

ENGLISH

### TYPICAL INSTALLATIONS



### TYPICAL FLANGE MOUNTING DETAIL



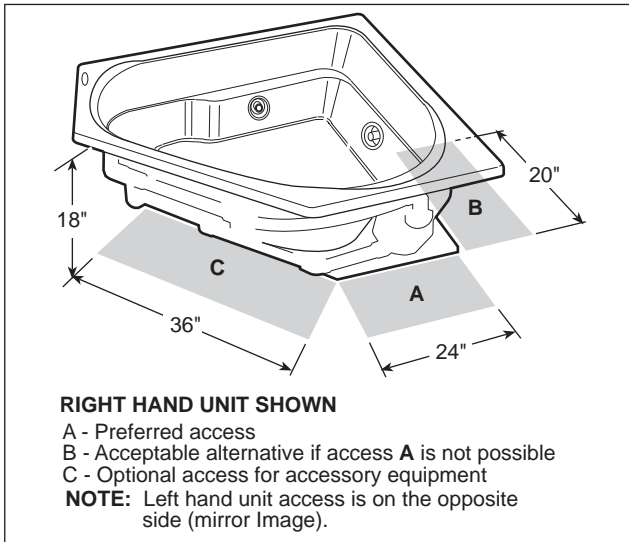
# INSTALLATION

## Service Access

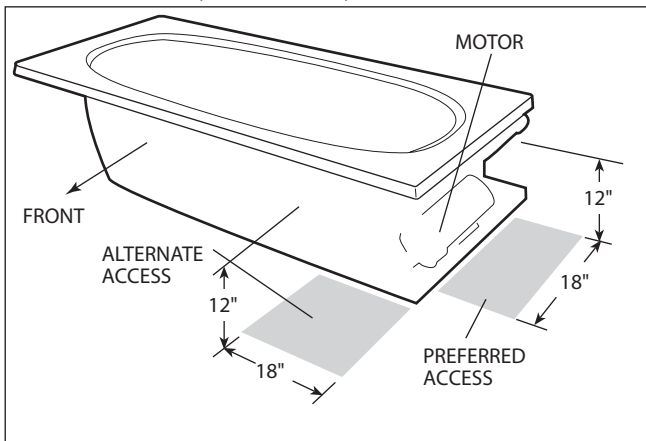
For partially or fully sunken installations, allow for access to service connections. It is the installer's responsibility to provide sufficient service access. The recommended minimum dimensions allowable for service to the bath are shown in the "Service Access - Without Skirt" illustration.

Provide adequate area around unit for air circulation for cooling the motor and to supply sufficient air to the jets. Do not insulate this area or around motor.

### SERVICE ACCESS (CORNER BATH WITHOUT SKIRT)



### SERVICE ACCESS (WITHOUT SKIRT)



## Service Access with Skirt

An optional skirt fits along the side of the bath for above-floor installations and is also an access panel for servicing. Allow a space of at least 8 inches away from the bath for skirt removal.

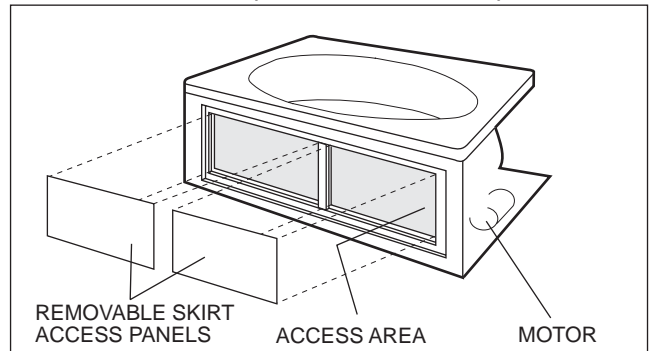
The skirt is designed to accommodate the added height of the tile, linoleum, or other floor coverings up to 1-1/4 inches above the floor, and will be flush with the floor when installed.

More detailed instructions on skirt installation are provided with the optional skirt assembly.

## Service Access with Integral Skirt

Service access is through the removable skirt panels.

### SERVICE ACCESS (WITH INTEGRAL SKIRT)



## Optional RapidHeat™ Service Access

Where tubs have been ordered with the optional RapidHeat™ heater consider an additional service access.

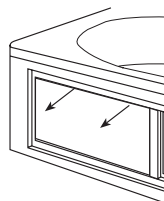
**If service access has not been provided, it is the home owners responsibility to remove the bath and provide the required access, should a repair become necessary.**

## Removable Skirt Panel

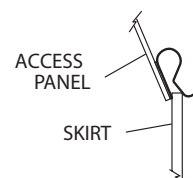
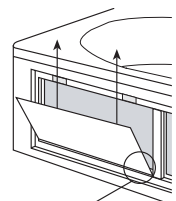
To remove panel, grab the top of access panel and pull outward to release Velcro™. Then pull access panel upward to release holding clips.

To reinstall, engage holding clips onto skirt and then push panel forward to reengage Velcro™.

PULL OUTWARD FROM TOP TO RELEASE VELCRO™



PULL UPWARD TO RELEASE CLIPS



# INSTALLATION

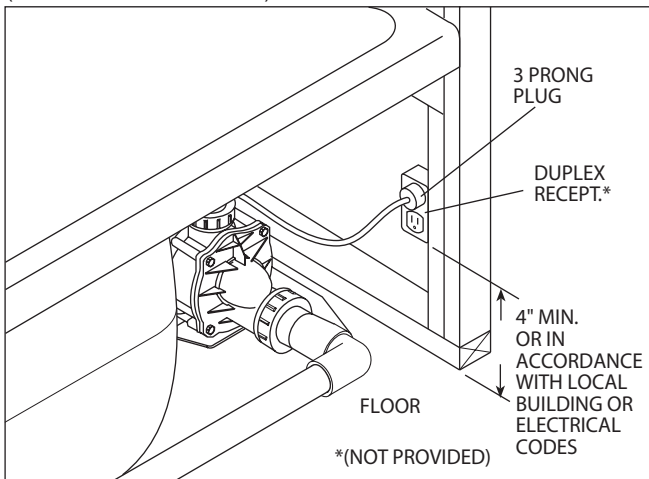
## Electrical Connections

A separate circuit, which must be protected by a Ground Fault Circuit Interrupter (GFCI), is required. Install a duplex outlet to the studwall underneath the bathtub, at least 4 inches above the floor. The duplex outlet is not provided. Because these units are manufactured with a safe, convenient Magic Touch whirlpool ON/OFF switch on the bath itself, no remote switch or timer is necessary. If an optional timer is desired, one is available from Jacuzzi Whirlpool Bath for 120 VAC operation.

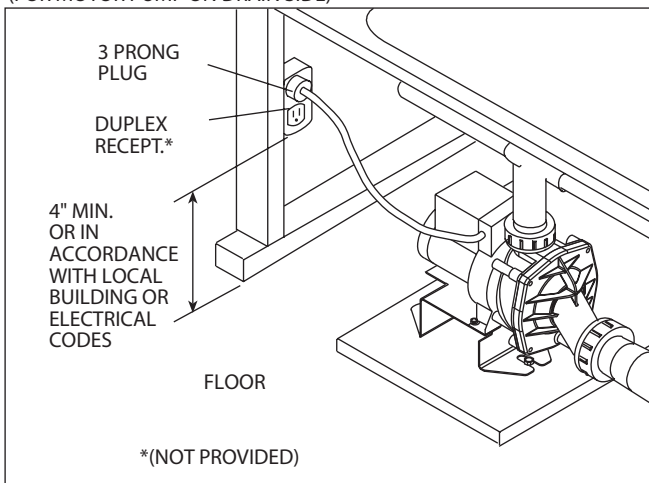
**DANGER: RISK OF ELECTRIC SHOCK. Connect only to a circuit protected by a Ground Fault Circuit Interrupter GFCI.**

**CAUTION:** Operating the motor/pump without enough water in the bath can cause leaking and permanent damage to the pump. Before power is applied to the installation, make sure the switch is in the OFF position to avoid pump damage.

ELECTRICAL CONNECTION  
(FOR SIDE/END DRAIN BATHS)



ELECTRICAL CONNECTION  
(FOR MOTOR PUMP ON DRAIN SIDE)



## Electrical Connection 6060 With Heater

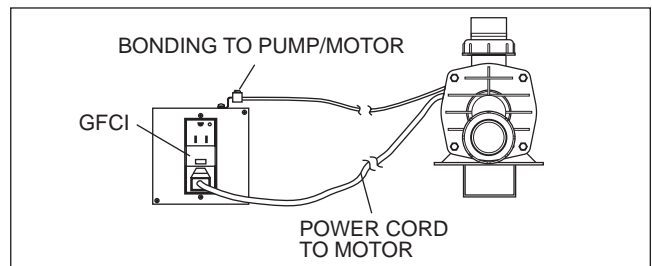
On the 6060 with integral skirt, one junction box has been provided for the pump/motor and one for the heater. To access, remove skirt access panel. See top view for location.

A separate GFCI protected outlet (not provided) is required for pump/motor and is to be installed in the junction box. The junction box is to be hard wired. The motor is bonded to the junction box at the factory.

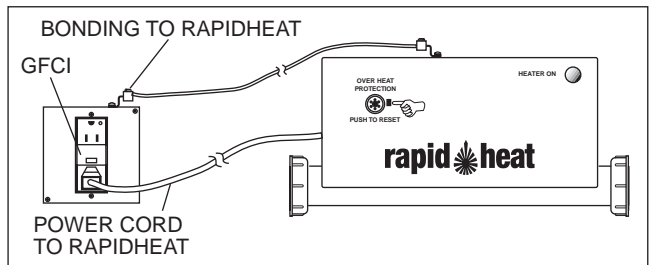
Install a separate 120 VAC, 15 AMP dedicated circuit with GFCI protection. With a #8 solid copper wire, bond the heater to the house electrical panel or approved local bond. A bonding lug is provided on the heater.

At initial start-up and before each use thereafter with power ON, push the GFCI test button. The reset button should pop out. Push this button in to reset. If the interrupter fails to operate in this manner, there is a ground current flowing or a device malfunction, indicating the possibility of electrical shock. **Turn off power and do not use the bath until the source of the problem has been identified and corrected.**

60x60 WITH INTEGRAL SKIRT  
MOTOR JUNCTION BOX



60x60 WITH INTEGRAL SKIRT  
RAPIDHEAT JUNCTION BOX



# INSTALLATION

## Drain Information

A drain/overflow assembly (sold separately) must be installed on the bath, water tested, and connected to the sanitary system of the house. After opening the carton, inspect for damage and verify that the kit is of the proper finish. In the Jacuzzi Whirlpool Bath drain/overflow kit, note that the waste flange, strainer, overflow cover and cover screws are packaged in a separate package within the kit to protect the trim finish. Follow the installation instructions provided with the drain/overflow kit. After the drain is fully installed, test for proper drainage. If the unit does not drain properly, rectify this condition before proceeding with the installation. Jacuzzi Whirlpool Bath is not responsible for removal and or reinstallation costs.

**NOTE: Watertight installation of the drain is the installer's responsibility. Drain leakage is excluded from the Jacuzzi Whirlpool Bath warranty of this product.**

## Plumbing


Pump, jets, and suction fittings for the whirlpool system are factory plumbed in schedule 40 PVC piping.

All Jacuzzi Whirlpool Bath products are factory tested for proper operation and watertight connections prior to shipping. If leaks are detected, notify your Jacuzzi Whirlpool Bath Dealer. Do not install the unit.

## Water Supply

Consult local authorities for plumbing code requirements in your area.

**IMPORTANT: Proper installation of the fill spout plumbing and compliance with local codes are the responsibility of the installer. Jacuzzi Whirlpool Bath does not warrant connections of water supply fittings and piping, fill systems, or drain/overflow systems. Nor is it responsible for damage to the bath which occurs during installation.**

 **CAUTION: A nonflammable protective barrier must be placed between soldering work and bath unit to prevent damage to the bath.**

## Clean-Up After Installation

To avoid dulling and scratching the surface of the bath, never use abrasive cleaners. A mild liquid detergent and warm water will clean soiled surfaces.

Remove spilled plaster with a wood or plastic edge. Metal tools will scratch the surface. Spots left by plaster or grout can be removed if lightly rubbed with detergent on a damp cloth or sponge.

Paint, tar, or other difficult stains can be removed with paint thinner, turpentine, or isopropyl alcohol (rubbing alcohol).

Minor scratches which do not penetrate the color finish can be removed by lightly sanding with 600-grit wet/dry sandpaper. You can restore the glossy finish to the acrylic surface of the bath with a special compound, Meguiar's #10 Mirror Glaze. If that is not available, use automotive rubbing compound followed by an application of automotive paste wax.

Major scratches and gouges which penetrate the acrylic surface will require refinishing. Ask your Jacuzzi Whirlpool Bath dealer for special instructions.

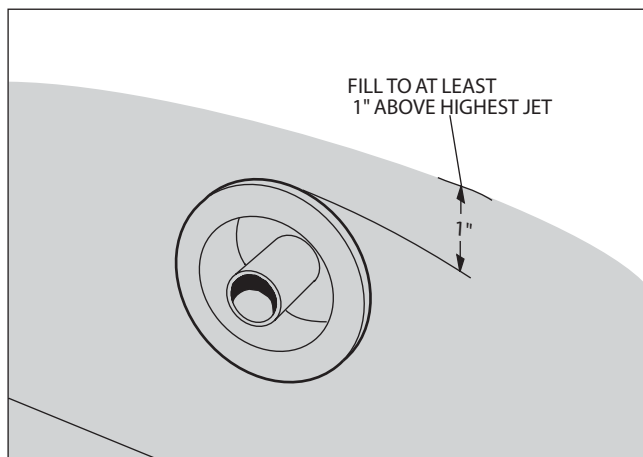
# OPERATION

All baths manufactured by Jacuzzi Whirlpool Bath are designed for "fill and drain," which means the bath should be drained after each use and filled with fresh water by the next bather. This is a health precaution, as these baths are not designed to hold water continuously like pools or spas. If you want a unit designed to continuously hold water, see your Jacuzzi Whirlpool Bath dealer for the complete line of whirlpool spas available.

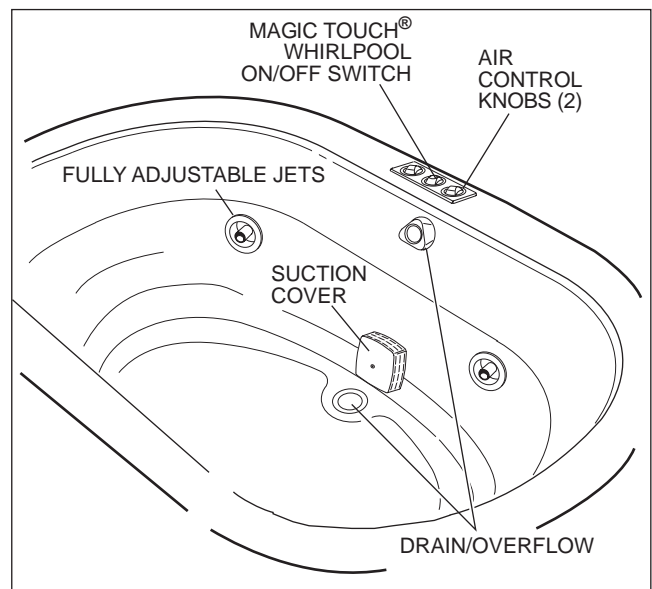
Once the bath is installed, remove any residue or foreign materials left over from construction. Use turpentine or paint thinner to remove stubborn stains, paint or tar. Other dirt can be cleaned off with a mild liquid detergent on a damp cloth. Scrape off plaster with a wooden or plastic edge; **do not use metal scrapers, wire brushes or other metal tools, as they will damage the bath's surface.**

## Water Level

Close the drain and fill the bath until water is at least 1" (25 mm) above the highest jet (see water line indicated in the illustration). **Do not turn on the whirlpool system at any time if the jets are not completely immersed in water.** Running the whirlpool system when there is insufficient water in the bath could result in water spraying outside the bath area. Running the whirlpool system without water will damage the recirculating pump.



## TYPICAL BATH FITTINGS

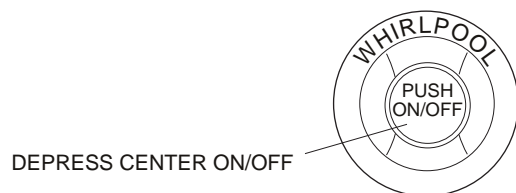


## Magic Touch® Whirlpool Switch

The Magic Touch whirlpool ON/OFF switch, conveniently located on the bath, allows you to turn the whirlpool system on and off while in the bath. Simply push down on the switch button to turn on the whirlpool system. To turn the system off, push down on the button again.

If your bath has an optional Jacuzzi Whirlpool Bath wall mounted timer, set it for the amount of time you wish the whirlpool to operate. NOTE: when you desire less than 10 minutes of whirlpool action, it is necessary to turn the timer knob clockwise past the number 10 and then back to the desired amount. If the whirlpool action does not begin when the timer is correctly set, it is necessary to push the Magic Touch switch button.

## MAGIC TOUCH SWITCH



# OPERATION

## RapidHeat™ Operation

Once the heater is installed and the whirlpool pump is operating, the heating function is totally automatic. The heater will help maintain the temperature of the water in the bath.

## Vacuum Switch

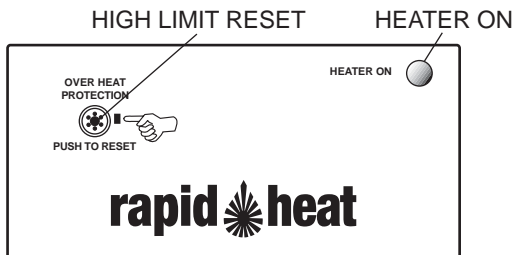
The heater is equipped with a preset vacuum switch which will not allow the heater to turn ON if the pump is not running with water flowing through the whirlpool system.

## High-Limit Switch

The heater includes an exclusive High-Limit switch. This safety circuit will not false trip from hot tap water. It will only turn off the heater if the thermostat fails. To reset, press the button. If the high-limit trips frequently, contact your Authorized Electrical/Mechanical Service Provider. Visit our web site at <http://www.jacuzzi.com/> to find a Service Provider.

## Heater On Indicator

The light will be illuminated any time the heater is operating.



## Controlling Whirlpool Action

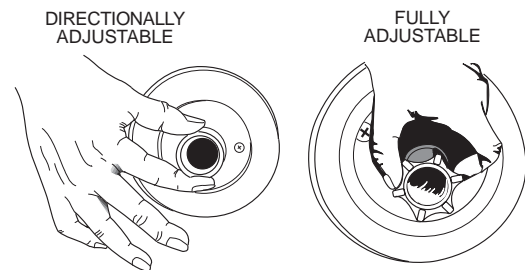
The whirlpool action in your bath is influenced by three factors – direction of flow, force of water, and force of air. All baths manufactured by Jacuzzi Whirlpool Bath are equipped with fully adjustable PowerPro® jets, which are adjustable for all three factors. Some baths have additional directionally adjustable jets which can be adjusted for direction and flow of air only.

**Direction:** To change the direction of the water flow, swivel the jet nozzle to the desired angle. The jets can be directed individually toward any location on your body to provide a hydromassage. The jets can also be adjusted so that they all point in the same direction (clockwise or counterclockwise) to circulate the water in a circular motion around the bath, causing a total whirlpool effect.

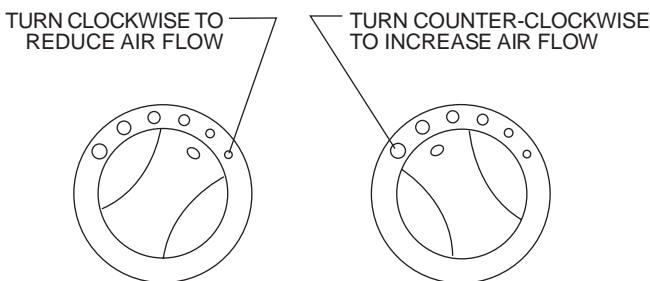
**Water Force:** The high volume, fully adjustable jets can be adjusted to control the force of the water coming into the bath. For robust action, increase the force of the flow by rotating the jet handles to the left (counterclockwise). For a more gentle effect, rotate the handles to the right (clockwise). **Never run the whirlpool system with all the jets closed.**

**Force of Air:** Two knobs located on the bath serve as controls for the air induction system. The intensity of the hydromassage whirlpool action is determined by the amount of air inducted into the water. As the amount of air is increased, the hydromassage action increases. For maximum air induction, rotate the control knobs fully counterclockwise to the largest circles. For fewer air bubbles, decrease the amount of air induction by rotating the control knob clockwise. When the knobs are turned to the smallest circles, only water is being circulated.

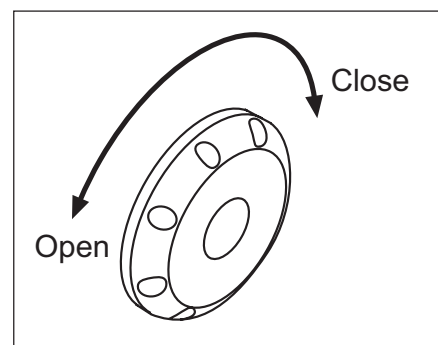
## JETS



## AIR INDUCTION CONTROLS



## Back Massage Jet - Flow Adjustment





# MAINTENANCE

## Cleaning the Bath

To clean your bath, simply use a mild, nonabrasive liquid detergent solution. You can protect and restore the gloss to a dulled acrylic surface by applying Meguiar's #10 Mirror Glaze, a product specifically designed for use on acrylic finishes. If Meguiar's is not available, an acrylic polish of equal quality or automotive paste wax is acceptable.

**Never use abrasive household cleaners on any Jacuzzi Whirlpool Bath product.**

## Repairs to the Surface

Minor scratches which do not penetrate the color finish can be removed by lightly sanding with 600-grit wet/dry sandpaper. Restore the gloss using Meguiar's Mirror Glaze or automotive paste wax.

Major scratches and gouges which penetrate the acrylic surface will require refinishing. Ask your Jacuzzi Whirlpool Bath dealer for special instructions.

## Purging the Whirlpool System

**NOTE: THE WHIRLPOOL SYSTEM SHOULD BE PURGED AT LEAST TWICE A MONTH**

To remove accumulations of bath residue from the whirlpool system, it is recommended that a whirlpool bath be purged at least twice a month. For best results, however, we recommend that you purge your whirlpool bath after each use using our exclusive two-part plumbing system cleaner made specifically for whirlpool baths. Systems Clean™ is available through an authorized Jacuzzi Whirlpool Bath Distributor or by calling us direct at 1-800-288-4002. Instructions for use: Immediately after bathing and exiting the whirlpool bath, leave the bath water in the tub and add hot water, if necessary, so the water is at least 1" (25 mm) above the highest jet. Turn on the unit without the aerator. Pour the contents of the Systems Clean Packet 1 (taking care not to get the material on yourself) into the bath near the intake for the circulation pump. Repeat same process with Systems Clean Packet 2. **It is important to use Packet 1 before Packet 2 to avoid a strong odor.** Run the bath for 5 to 10 minutes. Drain completely and rinse any residue.

If you have followed the standard purging instructions above and still have an excess accumulation of bath residue and desire an alternative cleaning mechanism, we recommend **SUPER SYSTEMS CLEAN PLUS** manufactured by Stearns Packaging to rectify this condition. This may be obtained by contacting us at 1-800-288-4002. It is recommended that you follow the instructions provided by the manufacturer with the product. Repeated use may be necessary. **SUPER SYSTEMS CLEAN PLUS** does not replace the necessity to regularly purge your whirlpool system with Systems Clean as recommended.

(For additional information about water content, contact us for a copy of the Jacuzzi Water Quality Primer.)

## Lamp

An optional lamp kit is available from your Jacuzzi Whirlpool Bath dealer for installation on your bath.

When the bulb burns out, replace it from the **back** of the lamp fitting, on the underside of the shell, by pulling out the bulb receptacle. Replacement bulbs (12V, 7W) are available from your Jacuzzi Whirlpool Bath dealer.

## Bath Additives

**NOTE: DO NOT USE OIL OR OIL BASED BATH ADDITIVES.**

If you want to use any kind of bath additive, use only a small amount of low-foaming powder or crystal substance; the whirlpool action intensifies the foaming properties of soaps.

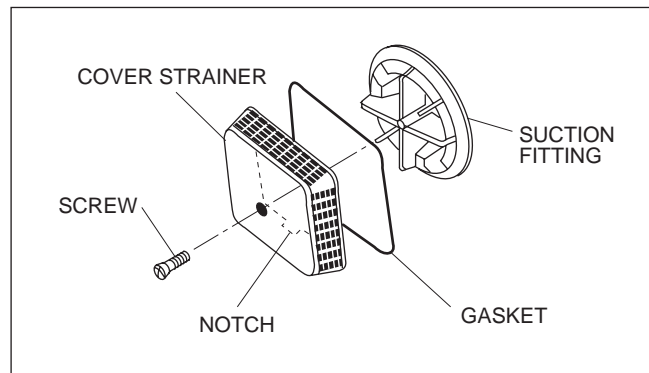
The use of certain bath oils, bubble baths and bath additives may increase the level of accumulations of bath residue in the whirlpool system. If excess accumulations persist, you should discontinue use of these products.

## Suction Cover/Strainer Maintenance

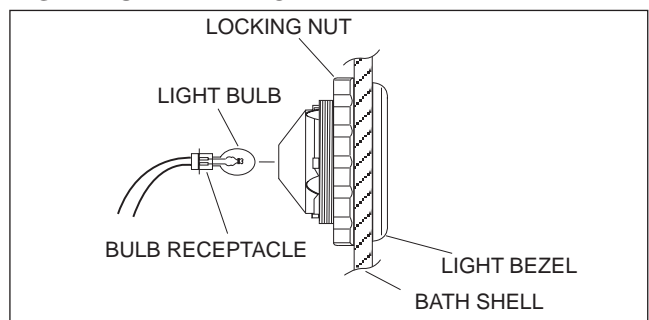
Clean the suction cover/strainer of hair and debris when necessary. To do this, remove the center screw and detach the square cover. Clean the cover by back-flushing debris from the holes. Replace the suction cover immediately after cleaning. When reinstalling, orient the cover/strainer with the small notch at the bottom. The gasket must be inserted into the groove of the cover/strainer before reinstalling onto the suction fitting.

**CAUTION: Keep hair a minimum of 6" (15 cm) inches away from the suction fitting at all times when the whirlpool system is operating. Hair longer than shoulder length should be secured close to the head, or a bathing cap should be worn. Do not operate the whirlpool system with the suction cover removed! It is a safety device and must always be in place on the suction fitting to minimize the potential hazard of hair and body entrapment.**

### SUCTION COVER/STRAINER ASSEMBLY



### LIGHT BULB REPLACEMENT



# General Whirlpool Bath Troubleshooting Guide

PROBLEM	PROBABLE CAUSES	REMEDY
Pump/Motor does not start.	No power to pump/motor.	Reset GFCI.
	Pump/motor not plugged in.	Insert plug fully into outlet.
	Magic Touch switch - air tube not connected to switch or to air switch on pump/motor.	Reconnect tube to Magic Touch switch or to air switch pump/motor.
	Pump/motor faulty.	Replace pump/motor assembly.
Pump/Motor operates but no fully adjustable jets are functioning.	Jets are closed.	Open jets by rotate counterclockwise.
	Suction cover may be clogged.	With motor turned off, remove safety cover and remove any debris. <b>Replace suction cover before operating.</b>
	Air entrapment.	Ensure that water level is at least 1" (25 mm) above the highest jet.
Pump/Motor operates but air is not injected into water.	Air valves closed.	Open air control valves.
Pump/motor does not shutoff.	Magic Touch switch - air tube not connected to switch or to air switch on pump/motor.	Reconnect tube to Magic Touch switch or to air switch pump/motor.
	If a wall timer is used, the timer is defective	Replace timer.
Water leakage from pump unions.	Overtightened, O-ring may be pinched or improperly seated, under tightened.	Untighten unions check and reseal O-ring. If O-ring has been pinched out of shape, replace (refer to Service Support number below). When tightening union nuts, <b>hand tighten only</b> .
Pump/motor shuts off by itself or with wall timer, before set time elapses.	Motor thermal protection has deactivated pump/motor due to overheating. (Supply voltage low.)	Let motor cool; thermal protection will reset. Check for proper ventilation. (Check supply voltage.)
	GFCI tripped.	Reset GFCI. If it continues to trip do not use this unit. Disconnect the unit and have the problem corrected by a licensed electrician before using.
	Inadequate supply wiring.	Consult a licensed electrician to correct wiring to unit.

NOTE: If unit is within the warranty period, contact Jacuzzi Whirlpool Bath Service Support at (866) 905-2289 with bath's serial number before work is started. The Serial Number is located on the Specification/Serial Number Plate. See page 13.

## Authorized Service

If you need a referral for a service company near you, or need assistance with operation or maintenance related questions, please call our Service Support Department at 1-866-905-2289. For service agent listing, visit our web site at <http://www.jacuzzi.com/>. To find the service agent listings, click on [For The Trade](#). Then click on [Electrical/Mechanical Service Agents](#). Depending on the problem, click on [Electrical/Mechanical Repairs](#) or [Finish, Surface or Shell-Related Problems](#).

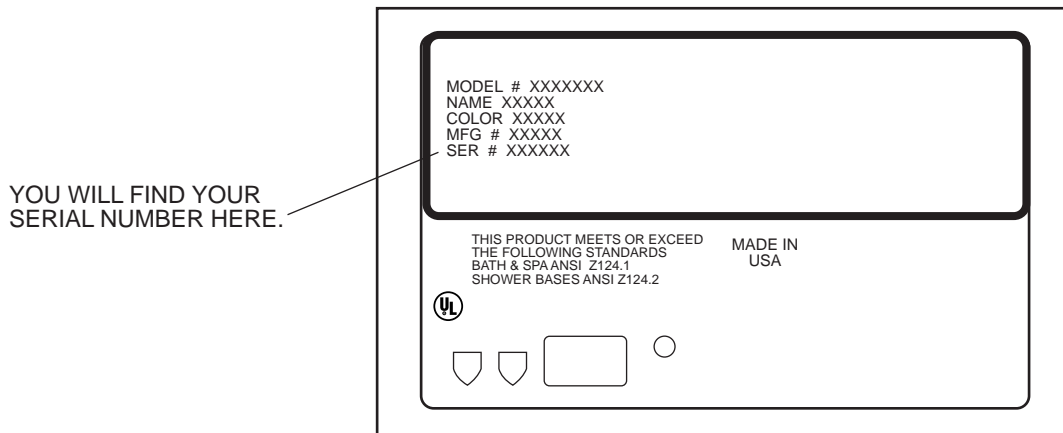
When requesting service or technical assistance please have available both the model and serial number of your unit. This information can be obtained from the product registration card provided with your unit. If the card has been misplaced, this information can be obtained from the specification/serial number label on the unit itself (for location of specification/serial number label see below).

### BATH PRODUCTS

Whirlpool baths: The label is located on the wall of the bath near the pump/motor.

Non-jetted baths: The label is located next to the overflow.

SPECIFICATION/SERIAL NUMBER PLATE





# ADDENDUM

## AUTHORIZED SERVICE Change

This sheet replaces the Authorized Service page in this manual.

### AUTHORIZED SERVICE

If you need a referral for a service company near you, or need assistance with operation or maintenance related questions, please call our Service Support Department at 1-800-288-4002. Visit our web site at <http://www.jacuzzi.com/> for products and services.

To find service agent listings for:

Electrical or Mechanical Repairs visit <http://jacuzzi.com/pdf/ASA.PDF>

Finish, Surface, or Shell-Related Repairs visit <http://jacuzzi.com/pdf/AFC.PDF>

Repair Parts or Accessories visit <http://jacuzzi.com/pdf/MPD.PDF>

When requesting service or technical assistance please have available both the model and serial number of your unit. This information can be obtained from the product registration card provided with your unit. If the card has been misplaced, this information can be obtained from the specification/serial number label on the unit itself (for location of specification/serial number label see below).

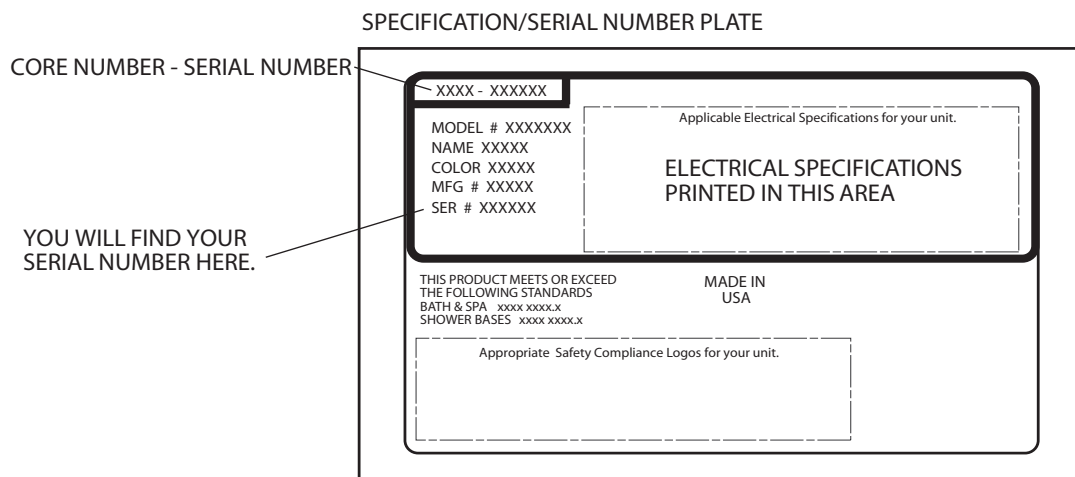
### BATH PRODUCTS

Combination baths: The label is located on the wall of the bath near the pump/motor.

Whirlpool baths: The label is located on the wall of the bath near the pump/motor.

Air Baths: The label is located on the wall of the bath near the blower.

Non-jetted baths: The label is located next to the overflow.

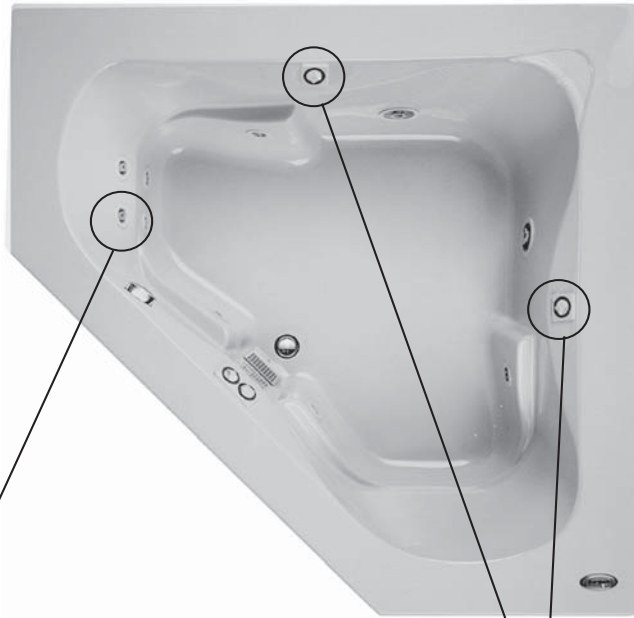


# REPAIR PARTS

NOTE: When a part number has 3 Xs, substitute the appropriate color code for the Xs:

- 940 White
- 914 Almond
- 969 Oyster

ENGLISH

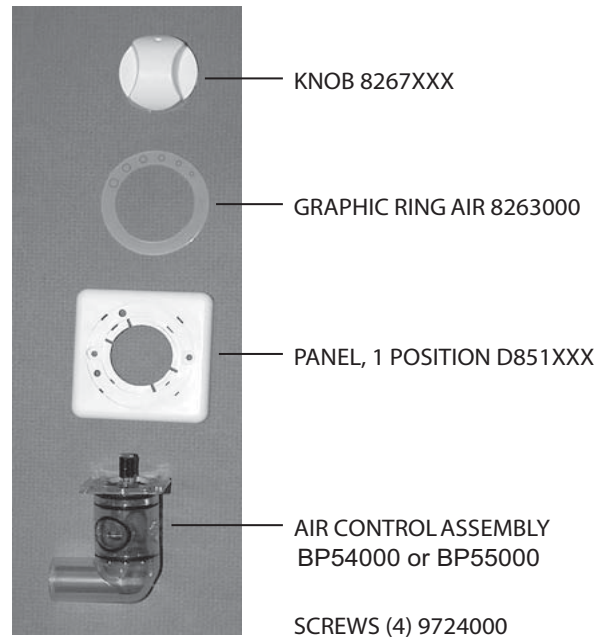
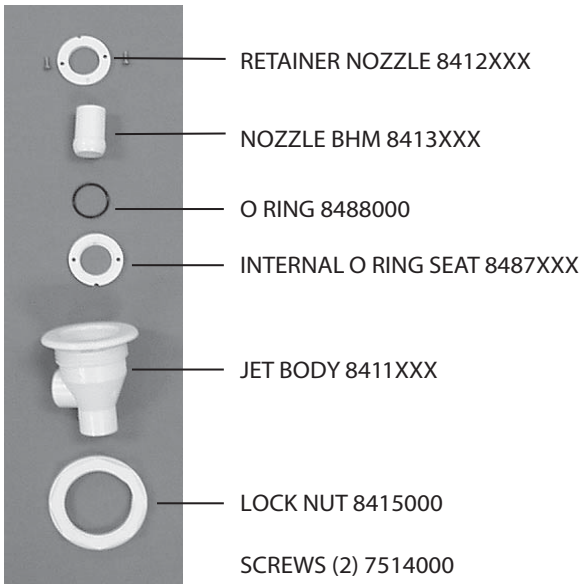


BMH JET

— BMH JET ASSEMBLY 8489XXX



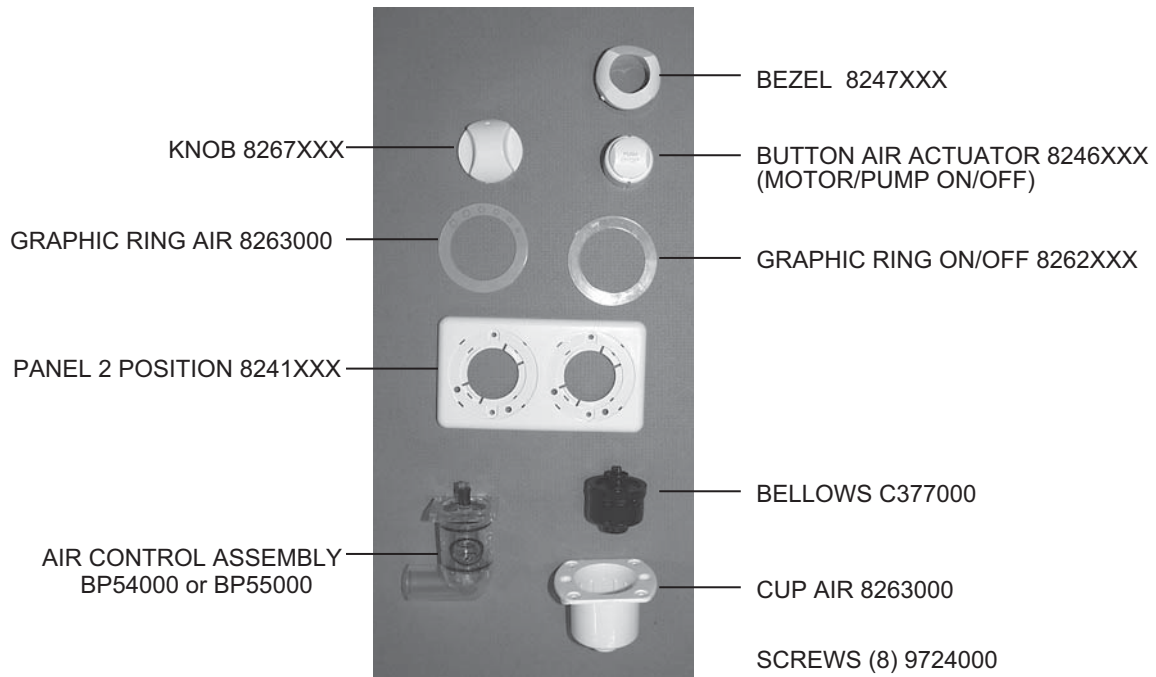
1 POSITION AIR CONTROL



# REPAIR PARTS

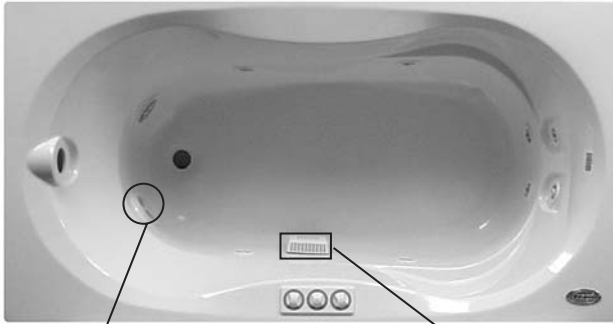


2 POSITION CONTROLLER  
(AIR & PUMP/MOTOR ON/OFF)



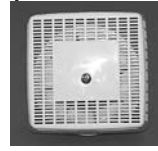
# REPAIR PARTS

ENGLISH

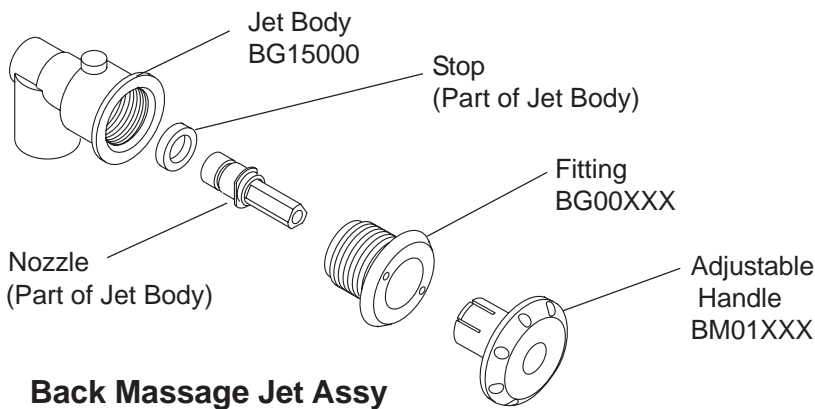
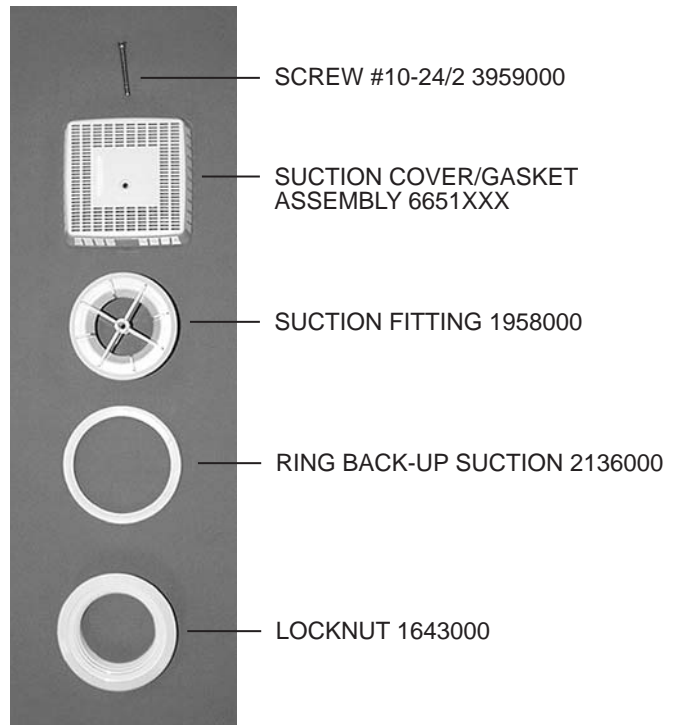
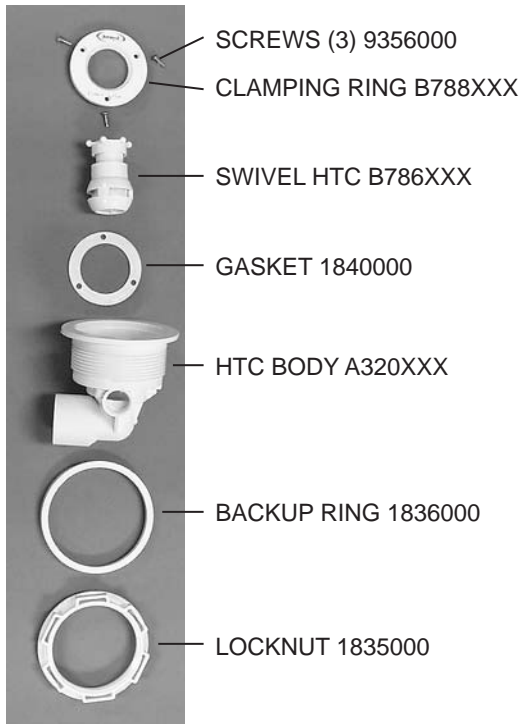


HTC JET

SUCTION ASSEMBLY



HTC ASSEMBLY B785XXX



# REPAIR PARTS

ENGLISH



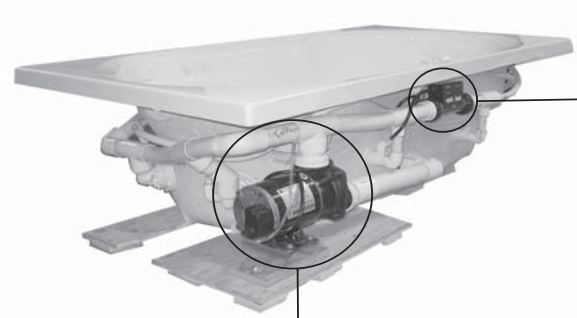
3 POSITION PANEL



- GRAPHIC RING AIR (2) 8263XXX
- AIR CONTROL ASSEMBLY BP54000 (2) OR BP55000 (2)
- SCREWS (10) 9724000
- GRAPHIC RING ON/OFF 8262XXX
- 3 POSITION PANEL 9224XXX
- BUTTON AIR ACTUATOR 8246XXX
- KNOB 8267XXX (2)
- BEZEL 8247XXX
- BELLOWS C377000
- CUP C841000
- REPAIR O-RING/VALVE ASSEMBLY 8399000



# REPAIR PARTS

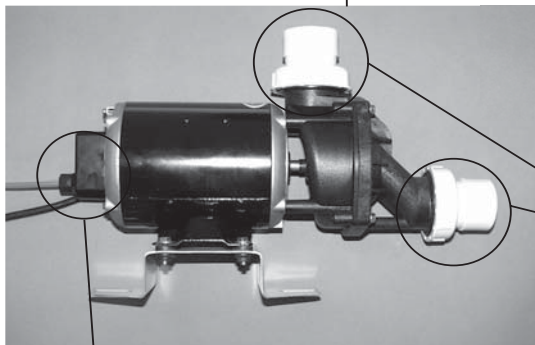


**RAPIDHEAT REPAIR HEATER**  
 DISCHARGE SIDE U394000 (SHOWN)  
 UNION GASKETS (2) Y671000  
 UNIONS (2) Y670000

SUCTION SIDE S749000  
 UNION GASKETS (2) G947000  
 UNIONS (2) T180000

NOTE: Suction heater components and Discharge heater components are not interchangeable.

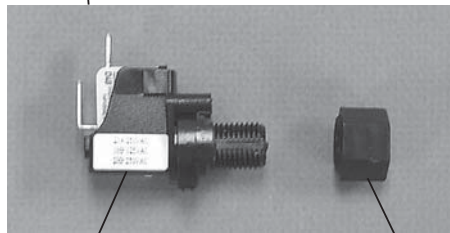
**MOTOR/PUMP ASSEMBLY**  
 7.0 A 115V 60Hz Y660000



**HEATER BLANK**

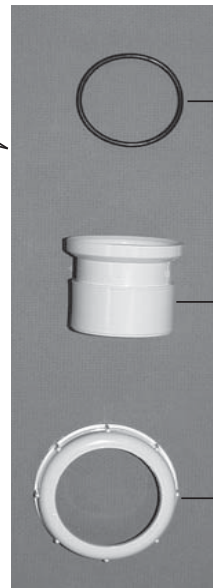
DISCHARGE SIDE BF67000  
 UNION GASKETS (2) Y671000  
 UNIONS (2) Y670000

SUCTION SIDE BF68000  
 UNION GASKETS (2) G947000  
 UNIONS (2) T180000



**SWITCH AIR ACTUATED 7396000**

**STRAIN RELIEF AIR SWITCH N186000**



**UNION REPAIR KIT 9250000:**

O-RING 9231000

ADAPTER UNION 9234000

NUT UNION 9233000

**PRODUCT SPECIFICATIONS ARE SUBJECT TO CHANGE WITHOUT NOTICE.**

**USE INSTALLATION INSTRUCTIONS SUPPLIED WITH PRODUCT.**

Jacuzzi Whirlpool Bath has obtained applicable code (standards) listings generally available on a national basis for products of this type. It is the responsibility of the installer/owner to determine specific local code compliance prior to installation of the product. Jacuzzi Whirlpool Bath makes no representation or warranty regarding, and will not be responsible for any code compliance.

## JACUZZI WHIRLPOOL BATH

P.O. Box 702168, Dallas, TX 75370-2168

**Service Support: 1- (800) 288-4002**

©2003 Jacuzzi Whirlpool Bath U961000G 2/05



Printed on Recycled Paper

# Jacuzzi Whirlpool Bath Limited Warranty Espree Series Bath Product

## WARRANTY COVERAGE

Jacuzzi Whirlpool Bath (the "Company") offers the following express limited warranty to the original purchaser of any Jacuzzi Whirlpool Bath Espree Series Bath Product ("unit") who purchases the product for personal or single family use ("user"). The Company will repair or replace, at its option, the unit or its equipment in accordance with the following terms and conditions.

### ONE YEAR LIMITED WARRANTY ON BATHS

Our limited warranty on Espree Series Bath products is for one (1) year. Our warranty covers the unit and factory-installed components against defects in material or workmanship. Warranty coverage begins on the date the unit was originally purchased by the user.

### FIVE YEAR (PARTS ONLY) LIMITED WARRANTY ON PUMP AND MOTOR

Our limited warranty on the pump and motor is for five (5) years for parts only. Warranty coverage begins on the date the unit was originally purchased by the user.

### NINETY DAY (PARTS ONLY) LIMITED WARRANTY ON OPTIONS AND ACCESSORIES

Our limited warranty on options and accessories manufactured by the Company is for ninety (90) days for parts only. Our warranty covers options and accessories manufactured by the Company (e.g., fill spout kits, trim kits, skirts) against defects of material or workmanship. Warranty coverage begins on the date the option or accessory was originally purchased by the user.

## WARRANTY LIMITATIONS

Our limited warranty does not cover defects, damage, or failure caused by the common carrier, installer, user, or other person, or resulting from, without limitation, any of the following: careless handling (lifting unit by plumbing, abrading finish, etc.) including its own negligence; modification of any type for any reason (including modification to meet local codes); improper installation (including installation not in accordance with instructions and specifications provided with the unit); connections supplied by the installer of the equipment; improper voltage supply or unauthorized electrical modification; misuse; incorrect operation, or lack of proper routine maintenance; operation of the unit without specified minimum amount of water or at inappropriate water temperature; use of abrasive or improper cleaners; or acts of God, such as lightning, floods, earthquakes, etc.

In addition, THE COMPANY WILL NOT BE RESPONSIBLE FOR INCIDENTAL OR CONSEQUENTIAL DAMAGES or losses arising from any cause (e.g., water damage to carpet, ceiling, loss of use, etc.) including its own negligence; damages to, respecting, or resulting from: plated parts when pool and/or spa chemicals are used in the unit; optional bath equipment not manufactured by the Company but supplied by Dealer, installer or the Company; the unit's prior usage as an operational display; or defects that should have been discovered before installation. This limited warranty does not include: labor, transportation, or other costs incurred in the removal and/or reinstallation of the original unit and/or installation of a replacement unit; any costs relating to obtaining access for repair; or loss of use damage, including loss of sales, profit or business advantage of any kind under any circumstances. Bath units are excluded from any warranty coverage if any addition, deletion, or modification of any kind whatsoever has been made to the unit (or to any component).

Warranty coverage is provided in the United States of America and Canada.

## EXCLUSION OF IMPLIED WARRANTIES

IMPLIED WARRANTIES OF MERCHANTABILITY AND FITNESS FOR A PARTICULAR PURPOSE ARE DISCLAIMED ALTOGETHER OR TO THE FULL EXTENT ALLOWED BY LAW.

NOTICE: This warranty gives you specific legal rights, and you may also have other rights which vary from state to state. There are no warranties applicable to Jacuzzi Whirlpool Bath products except as expressly stated herein or as implied by applicable state and federal laws. The Company will not be responsible for any statements or representations made in any form that go beyond, are broader than or are inconsistent with any authorized literature or specifications furnished by the Company.

Some states do not allow limitations on how long an implied warranty lasts, or the exclusion or limitation of incidental or consequential damages, so the above limitations and exclusions may not apply to you.

## RETURN OF WARRANTY CARD

The attached Warranty Registration Card MUST be filled out by the purchaser within thirty (30) days from purchase and mailed to Jacuzzi Whirlpool Bath in order for this warranty to become effective.

---

Jacuzzi Whirlpool Bath  
P.O. Box 702168  
Dallas, TX 75370-2168

## RESPONSIBILITIES OF OTHERS

Inspecting the unit prior to installation is the responsibility of the installer or building contractor who acts on behalf of the user. They are responsible for ensuring the unit is free of defect or damage. Notices are placed on and in the unit and on the shipping carton advising the installer of this responsibility. In the event of a problem, the unit must not be installed. The Company is not responsible for failures or damage that could have been discovered, repaired, or avoided by proper inspection and testing prior to installation.

Damage occurring in transit is the responsibility of the carrier. The user or installer MUST open the crate and inspect the unit for damage when it is delivered. If damage is discovered, it must be reported immediately to the seller and the carrier in writing, and an inspection requested. Failure of the carrier to respond should be reported to the seller and the carrier. Your freight claims should be filed promptly thereafter.

It is the responsibility of the installer, building contractor, or user to provide access for service. The Company is not responsible for any costs relating to obtaining access for repair. The user shall bear such costs and, if appropriate, must seek recovery from the installer.

Damage occurring to the unit during installation is the responsibility of the installer and/or building contractor and damage occurring thereafter is the responsibility of the user.

Failure of any optional equipment is the sole responsibility of the equipment manufacturer. (Options and accessories manufactured by the Company are warranted for ninety (90) days from the original date of purchase for parts only.)

The Distributor or Dealer is responsible for knowing local code requirements and notifying the installing contractor and/or user of these requirements at the time of purchase. The Company is not responsible for costs to modify any product to obtain any code approval, such as city, county, or state building codes in U.S.A.

## WARRANTY SERVICE

For the customer's benefit, the Company maintains a list of independent service personnel to perform required warranty service repairs. Such firms are not agents or representatives of the Company and cannot bind the Company by words or conduct.

The Company will provide the warranty service described above when the following conditions have been met: the failure is of the nature or type covered by the warranty; the user has informed an Authorized Jacuzzi Whirlpool Bath Service Agent or Warranty Service Department Representative of the nature of the problem during the warranty period; conclusive evidence (e.g., proof of purchase or installation) is provided to the foregoing by the user proving that the failure occurred or was discovered within the warranty period; an authorized independent service person or Company representative has been permitted to inspect the unit during regular business hours within a reasonable time after the problem was reported by the user.

In order to obtain warranty service, consult your local telephone book for the location of the nearest Jacuzzi Whirlpool Bath Authorized Service Agent. Describe the problem and the Authorized Service Agent will inspect the unit and provide the required warranty service.

If you are unable to contact a Jacuzzi Whirlpool Bath Authorized Service Agent, call or write:

Jacuzzi Whirlpool Bath  
Warranty Service Department  
P.O. Box 702168  
Dallas, TX 75370-2168  
Call: 1-(800) 288-4002

To obtain warranty replacement for factory-installed components for Company supplied options and accessories manufactured and supplied by the Company, call or write the above. Provide a description of the problem and proof of purchase. You will be instructed how to obtain replacements and where to return, at your expense, the failed component(s), option(s), or accessory(ies).

All replacement parts, equipment, and repairs shall assume the remaining warranty period of the part(s) replaced.

The Company's warranty obligation shall be discharged upon tender of replacement or repair. The customer's refusal to accept the tender terminates the Company's warranty obligation.

©2003 Jacuzzi Whirlpool Bath U961000G 2/05

Ninety-Day  
Parts Only  
Limited Warranty  
On  
Accessory(ies)



### Warranty Registration Card

This card must be filled out and returned to the address printed on the other side within thirty (30) days from date of purchase in order for this warranty to be come effective.

Ninety-Day  
Parts Only  
Limited Warranty  
On  
Accessory(ies)

City \_\_\_\_\_ State \_\_\_\_\_ Zip \_\_\_\_\_

Date of Purchase \_\_\_\_\_

Model Name \_\_\_\_\_

Serial Number \_\_\_\_\_

Dealer's Name \_\_\_\_\_

Dealer's Address \_\_\_\_\_

Purchaser's Name \_\_\_\_\_

Purchaser's Address \_\_\_\_\_

1. How did you first hear about this Jacuzzi® product?
  - Advertisement
  - Article in Magazine/Newspaper
  - Visited Dealer/Plumbing Supplier
  - Yellow Pages
  - Builder/Plumber/Remodeler
  - Decorator/Architect
  - Visited Retailer/Home Center Store
  - Word of Mouth
  - Friend/Relative/Acquaintance
  - Other (Please Describe) \_\_\_\_\_
2. Who first gave you specific information about this product (specifications, prices, etc.)?
  - Dealer/Plumbing Supplier
  - Builder
  - Remodeler
  - Plumbing Contractor
  - Retailer/Home Center Store
  - Decorator/Architect
  - Already Installed
3. What was the main reason for purchase?
  - Styling
  - Warranty Service
  - Product Features
  - Brand Name
  - Price
  - Hydrotherapy
  - Home Resale
  - Other \_\_\_\_\_
4. Who finally decided which product you would buy?
  - Self
  - Spouse
  - Self and Spouse Together
  - Other Family Member
  - Designer/Architect
  - Builder/Plumber/Remodeler
  - Already Installed
  - Who installed?
  - Already installed/New Home
  - Contractor/Plumber when remodeling
  - Self/Spouse when remodeling
  - Other \_\_\_\_\_
5. What is the current market value of this property? \_\_\_\_\_
6. Please estimate \$ \_\_\_\_\_ years
7. What is the age of the head of the household? \_\_\_\_\_ years
8. What other manufacturers did you consider?
  - Eller
  - Lasco
  - Price Pfister
  - Aqua Glass
  - Kohler
  - American Standard
  - Sterling
  - Other (Specify) \_\_\_\_\_
9. How long did you shop before purchasing unit?
  - 1 day
  - 2 months- 6 months
  - 2-7 days
  - 6 months- 1 year
  - 1 week- 2 weeks
  - 1 year- 2 years
  - 2 weeks- 4 weeks
  - +2 years
  - 1 month- 2 months
10. Approximately how long have you lived in this home? \_\_\_\_\_
11. Please indicate, approximately, the total annual income of your household.
 

<input type="checkbox"/> Up to \$24,999	<input type="checkbox"/> \$50,000 to \$74,999
<input type="checkbox"/> \$25,000 to \$29,999	<input type="checkbox"/> \$75,000 to \$99,999
<input type="checkbox"/> \$30,000 to \$39,999	<input type="checkbox"/> \$100,000 to \$149,999
<input type="checkbox"/> \$40,000 to \$49,999	<input type="checkbox"/> \$150,000 and Above
12. Was your purchase process?
  - Very easy
  - Easy
  - Difficult
  - Very Difficult
13. How technically aware were you of the patented Jacuzzi® jet system prior to your purchase?
  - Not aware
  - Somewhat aware
  - Very aware

# TARJETA DE REGISTRO PARA LA GARANTÍA



Para que la garantía se haga efectiva usted debe llenar esta planilla y enviarla a la dirección impresa en el reverso dentro de los treinta días desde la fecha de la compra.

Nombre del comprador \_\_\_\_\_  
 Dirección del comprador \_\_\_\_\_  
 Ciudad \_\_\_\_\_ Estado \_\_\_\_\_ Código de área \_\_\_\_\_  
 Fecha de compra \_\_\_\_\_  
 Nombre del modelo \_\_\_\_\_  
 Número de serie \_\_\_\_\_  
 Nombre del distribuidor \_\_\_\_\_  
 Dirección del distribuidor \_\_\_\_\_

- ¿Cómo escuchó usted, por vez primera, de los productos Jacuzzi®?
  - Propaganda  Artículo de revista, periódico
  - Visitó al distribuidor/supridor de plomería  Páginas amarillas
  - Constructor/plomero/remodelador  Decorador/arquitecto
  - Visito la tienda/leída de artículos para el hogar
  - Referido por otros... Amigos/patientes/conocidos
  - Otros (Por favor, describa)
- ¿Quién fue el primero en darle información específica sobre el este producto (especificaciones, precio, etc.)?
  - Proveedor de productos de baño  Constructor
  - Remodelador/Arquitecto  Contratista de productos de plomería
  - Decorador/Arquitecto  Ya estaba instalado
- ¿Cuál fue la razón principal para la compra?
  - Estilo  Servicio de garantía  Características del producto
  - Marca  Precio  Hidroterapia
  - Reventa de la casa  Otro \_\_\_\_\_
- ¿Quién tomó la decisión final sobre qué producto comprar?
  - Yo mismo  Cónyuge  Niños y/o juntos
  - Otro miembro de la familia  Diseñador/Arquitecto
  - Constructor Plomero/Remodelador  Ya estaba instalado
- ¿Quién tomó la decisión final sobre qué producto comprar?
  - Usted  Esposo (a)  Usted y su esposo (a)
  - Otro miembro de la familia  Diseñador/arquitecto
  - Constructor/plomero/remodelador  Ya instalado
- ¿Quién la instaló?
  - Ya instalado/casa nueva
  - Contratista/plomero cuando remodelaron
  - Usted/esposo (a) cuando remodelaron
  - Otros \_\_\_\_\_
- ¿Cuáles el valor actual de esta propiedad?
  - Por favor, estimar en \$ \_\_\_\_\_ años
- ¿Cuál es la edad del jefe de la familia?
  - Por favor, estimar en \$ \_\_\_\_\_ años
- ¿Cuáles otros fabricantes consideró usted?
  - Eljer  Lasco  Price Pfister  Aqua Glass
  - Kohler  American Standard  Sterling
  - Otros (Especifique) \_\_\_\_\_
- ¿Cuanto tiempo empleó usted de compras antes de realizar la compra?
  - 1 día  2 meses - 6 meses
  - 1 día  2-7 días  6 meses - 1 año
  - 1 semana - 2 semanas  1 año - 2 años
  - 2 semanas - 4 semanas  +2 años
  - 1 mes - 2 meses
- ¿Aproximadamente, cuánto tiempo tiene usted viviendo en esta casa?
  - Por favor, indique, aproximadamente, el ingreso total anual en su casa.
  - Más de \$24,999  de \$50,000 a \$74,999
  - de \$25,000 a \$29,999  de \$75,000 a \$99,999
  - de \$30,000 a \$39,999  de \$100,000 a \$149,999
  - de \$40,000 a \$49,999  más de \$150,000
- ¿Cómo fue el proceso de su compra?
  - Muy fácil  Fácil  Difícil  Muy difícil
- ¿Técnicamente, qué tan informado estuvo usted del sistema Jacuzzi®/jet antes de efectuar su compra?
  - No informado  Algo informado  Muy informado

Noventa Días – Partes  
 Solamente  
 Noventa Días  
 Garantía Limitada  
 en  
 Accesorio(s)

Noventa Días – Partes  
 Solamente  
 Noventa Días  
 Garantía Limitada  
 en  
 Accesorio(s)

©2003 Jacuzzi Whirlpool Bath U961000G 2/05

Para obtener reemplazo de la garantía para componentes instalados en la fábrica por opciones suministradas por la Compañía y accesorios fabricados y distribuidos por la Compañía, llamar o escribir a la dirección y teléfono descritos arriba. Provee una descripción del problema y prueba de la compra. Usted será orientado de como obtener reemplazos y como retornarlos, a su propio costo, de los componentes, opciones y accesorios que fallan.

Todas las partes de reemplazo, equipos, y reparaciones asumirán el periodo remanente de la garantía para partes de reemplazo.

La obligación de la garantía de la Compañía será descartada sobre ofertas de reemplazo o reparaciones. La negación del cliente de aceptar la oferta da por terminada la obligación de garantía de la Compañía.

Si usted no puede contactar un Agente de Servicio Autorizado de Jacuzzi Whirlpool Bath Authorized Service Agent, llame o escriba a:  
 Jacuzzi Whirlpool Bath  
 Warranty Service Department  
 P.O. Box 702168  
 Dallas, TX 75370-2168  
 Teléfono: 1-(866) 905-2289

Para beneficio del cliente, la Compañía mantiene una lista de personal que brinda servicio independiente para efectuar las reparaciones requeridas en la garantía de servicio. Tales firmas no son agentes o representantes de la Compañía y no pueden comprometer a la Compañía de palabra o de hecho.

La Compañía proveerá la garantía de servicio descrita arriba cuando las siguientes condiciones se cumplan: la naturaleza o tipo de la falla está contemplada en la garantía; el usuario ha informado a un Agente de Servicio Autorizado de Jacuzzi Whirlpool Bath o a un Representante del Departamento de Garantías sobre la naturaleza del problema durante el periodo de garantía; evidencia concluyente (ejemplo, prueba de la compra o de la instalación) si es provista al anterior por el usuario probando que la falla ocurrió o fue descubierta dentro del periodo de la garantía; una persona de servicio independiente autorizado por la Compañía o un representante de la Compañía le ha sido permitido inspeccionar la unidad durante las horas regulares de trabajo dentro de un tiempo razonable después que el problema ha sido reportado por el usuario.

A fin de obtener la garantía de servicio, consulte la guía telefónica local para encontrar al agente de servicio autorizado más cercano de Jacuzzi Whirlpool Bath. Describa el problema y el Agente de servicio autorizado inspeccionará la unidad y le proveerá de los requerimientos de la garantía de servicio.

## GARANTIA DE SERVICIO

El comerciante o distribuidor es responsable de conocer los requerimientos de códigos locales y notificar al contratista para la instalación y/o al usuario de estos requerimientos al momento de la compra. La Compañía no se hace responsable por los costos de modificar cualquier producto para obtener la aprobación de los códigos, tales como los códigos de construcción de la ciudad, el condado, o del estado en los Estados Unidos de América.

Inspeccionar la unidad antes de la instalación es responsabilidad del instalador o del contratista quien actúa en representación del usuario. Ellos son los responsables de asegurar que la unidad este libre de defecto o daño. Los Avisos son colocados dentro y fuera de la unidad y en el embalaje de entrega advirtiendo al instalador de su responsabilidad. En el evento de un problema, la unidad no debe ser instalada. La Compañía no se hace responsable por fallas o daños que puedan ser descubiertos, reparados, o evitados por una apropiada inspección y prueba antes de la instalación.

Los daños ocurridos durante el transporte es responsabilidad del transportista. El usuario o el instalador DEBE abrir el embalaje e inspeccionar la unidad para verificar cualquier daño durante el proceso de entrega. Si se descubre algún daño, éste debe ser reportado inmediatamente al vendedor y al transportista. Su reclamo debería ser enviado lo más pronto posible después de esto.

Es responsable del instalador, contratista, o del usuario proveer acceso para el servicio. La Compañía no se hace responsable por ningún costo derivado de acceso para reparaciones. El usuario asumirá tales costos y, de ser necesario, debe buscar recobrar dichos costos desde el instalador.

Los daños ocurridos a la unidad durante la instalación es responsabilidad del instalador y/o del contratista y los que ocurren después es responsabilidad del usuario.

Las fallas de algún equipo opcional es responsabilidad, solamente, del fabricante del equipo. (Piezas y accesorios fabricados por la Compañía están garantizados por noventa (90) días desde la fecha original de compra por la Compañía).

## RESPONSABILIDAD DE TERCEROS

# Jacuzzi Whirlpool Bath GARANTIA LIMITADA Productos para baños Espree Series

Download from [www.Somanuals.com](http://www.Somanuals.com). All Manuals Search And Download.

Jacuzzi Whirlpool Bath  
P.O. Box 702168  
Dallas, TX 75370-2168

## GARANTIA DE COBERTURA

La compañía Jacuzzi Whirlpool Bath ofrece la siguiente garantía limitada al comprador original de cualquier producto para baños de "Jacuzzi Whirlpool Bath Espree Series" ("la unidad") quien compre el producto para uso personal o familiar (el usuario). La compañía reparará o reemplazará, según se requiera, la unidad o sus partes de acuerdo con los siguientes términos y condiciones.

### UN AÑO DE GARANTIA LIMITADA PARA LAS BATERAS

Nuestra garantía limitada, en los productos para baños de Espree Series, es solamente por un (1) año. Dicha garantía cubre la unidad en la fecha en que la unidad fue comprada originalmente por el usuario.

### CINCO AÑOS (PARTES SOLAMENTE) DE GARANTIA LIMITADA EN BOMBA Y MOTOR

Nuestra garantía limitada de cinco (5) años es solamente para partes. La cobertura de la garantía comienza en la fecha que la unidad fue adquirida por el usuario.

### NOVENTA DIAS (PARTES SOLAMENTE) GARANTIA LIMITADA EN ACCESORIOS

Nuestra garantía limitada en accesorios manufacturados por la compañía es por noventa días (90) días para partes solamente. Nuestra compañía cubre accesorios manufacturados por la compañía (e.g., boquilla de llenado, marco decorativo, faldón) contra defectos del material o de la mano de obra. La cobertura de la garantía comienza cuando el accesorio fue originalmente comprado por el usuario.

### LIMITANTES EN LA GARANTIA

Nuestra garantía limitada no cubre defectos, daños, o fallas por causa de transporte común, instalación, uso, o por daños ocasionados por terceros, o como resultado de y sin limitación algunas de las siguientes causas: descuido en manipuleo (levantar la unidad por la grieta, el acabado, etc.); incluyendo negligencia propia, modificación incorrecta (incluyendo instalación incorrecta (incluyendo instalaciones que no están de acuerdo a las instrucciones y especificaciones suministradas en la unidad)); conexiones suministradas por el instalador del equipo; inadecuado suministro de voltaje o modificaciónes eléctricas no autorizadas; mal uso; manipulación incorrecta, o pérdida de mantenimiento rutinario; funcionamiento de la unidad sin cumplir con los requisitos mínimos de contenido de agua o por colocar agua con temperaturas inapropiadas; uso de abrasivos o limpiadores contraíndicados; o por actos de Dios, tales como: inundaciones, efectos luminosos, movimientos telúricos, etc.

Además, LA COMPAÑIA NO SE HACE RESPONSABLE POR DAÑOS IMPREVISTOS O CONTINGENCIAS O PERDIDAS OCA-SIONADAS POR CUALQUIER CAUSA (e.g., daño en la alfombra por causa del agua, techo, falta de uso, etc.) incluyendo la negligencia propia; daños a, o resultando de corroer las partes de la unidad por usar químicos de piscina y/o de spa; equipos de bañera opcionales no manufacturados por la compañía pero suministrados por el proveedor, el instalador o la compañía; previo uso de la unidad como demos-tración; o defectos que pudieron ser descubiertos antes de la instalación. Esta garantía limitada no incluye: manipuleo, transporte, u otro costo en la remoción y/o reinstalación de la unidad original y/o instalación de una unidad que está siendo reemplazada; cualquier costo por concepto de reparación o daño por falta de uso, incluyendo pérdida en las ventas, ventajas sobre ganancias o pérdidas de cualquier tipo y en cualquier circunstancia. Las unidades de las baterías están excluidas de la cobertura de cualquier garantía si se añade, quita o modifica cualquier de los componentes de la unidad.

La cobertura de la garantía es para los Estados Unidos de América y el Canadá.

### EXCLUSIÓN DE GARANTIAS IMPLÍCITAS

Garantías mercantiles implícitas y adecuaciones para un propósito en particular son desconocidas por completo o de acuerdo a los límites permitidos por la ley.

ADVERTENCIA: Esta garantía da a usted derechos legales específicos, y usted puede además tener otros derechos que varían de un estado a otro. No hay garantías aplicables a los productos Jacuzzi Whirlpool Bath mas que aquellos expresamente aquí declarados o de acuerdo a lo establecido en las leyes estatales y federales. La Compañía no se hace responsable por ninguna declaración o representación hecha en cualquier forma que vaya más allá, sea más amplia que o sea inconsistente con cualquier literatura autorizada o especificaciones establecidas por la Compañía.

Algunos estados no permiten limitaciones en cuanto a lo extenso de una garantía final implícita, o a la exclusión o limitación de daños incidentales o consecuentes, por lo que las limitaciones y exclusiones descritas pueden no ser aplicables a usted.

### RETORNO DE LA CARTA DE GARANTIA

La carta de registro de garantía anexa debe ser llenada por el comprador dentro de los treinta (30) días de realizada la compra y enviada, vía correo, a Jacuzzi Whirlpool Bath poder hacer efectiva la garantía.



NOTA: Cuando el número de un repuesto tiene 3 Xs, sustituya el código del color apropiado para cada X.

**PIEZAS DE REPUESTO**

Download from [www.Somanuals.com](http://www.Somanuals.com). All Manuals Search And Download.



REPUESTO DE CALENTADOR RAPIDHEAT

LADO DE DESCARGA U394000 (MOSTRADO)

EMPAQUETADORAS DE UNION (2) Y671000

UNIONES (2) Y670000

LADO DE SUCCION S749000

EMPAQUETADORAS DE UNION (2) G947000

UNIONES (2) T180000

NOTA: Nota: Los componentes del calentador de succión y de descarga no son intercambiables.

LADO DE DESCARGA BF67000

EMPAQUETADORAS DE UNION (2) Y671000

UNIONES (2) Y670000

LADO DE SUCCION BF68000

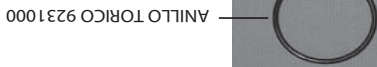
EMPAQUETADORAS DE UNION (2) G947000

UNIONES (2) T180000



CALENTADOR BLANCO

JUEGO DE REPARACION DE UNIONES 9250000:



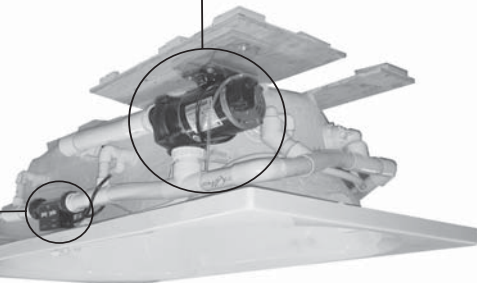
ANILLO TORICO 9231000



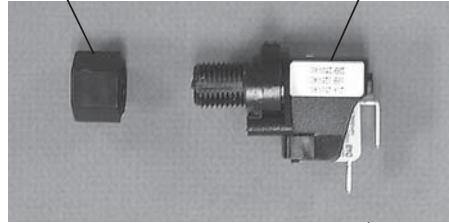
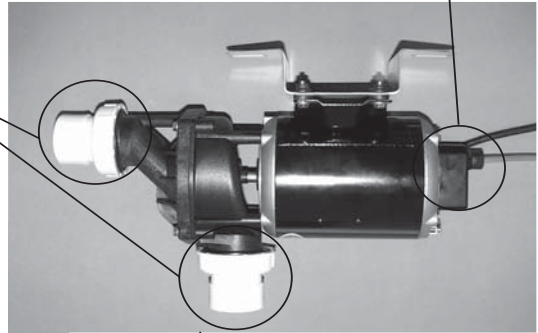
UNION DE ADAPTADOR 9234000



UNION DE TUERCA 9233000



ENSAMBLAJE MOTOR/BOMBA  
7A 115V 60HZ BG94000:



INTERRUPTOR PARA  
ACCIONAR EL AIRE  
7396000

INTERRUPTOR DE ALIVIO DE TENSION  
ACCIONADO POR AIRE N186000

**LAS ESPECIFICACIONES DEL PRODUCTO ESTAN SUJETAS A CAMBIOS SIN PREVIA NOTIFICACION  
USE LAS INSTRUCCIONES DE INSTALACION PROPORCIONADAS CON EL PRODUCTO.**

Jacuzzi Whirlpool Bath ha obtenido las listas de códigos correspondientes (normas), para productos de este tipo, que generalmente están a disposición por todo el país. Antes de instalar el producto, el instalador o dueño de este tiene la obligación de cumplir con el código específico local. Jacuzzi Whirlpool Bath no representa, ni garantiza, ni es responsable de hacer cumplir cualquiera de estos códigos de instalación.

**JACUZZI WHIRLPOOL BATH**

P.O. Box 702168, Dallas, TX 75370-2168

Servicio de atención al cliente: (866) 905-2289

©2003 Jacuzzi Whirlpool Bath U961000G 2/05

Printed on Recycled Paper



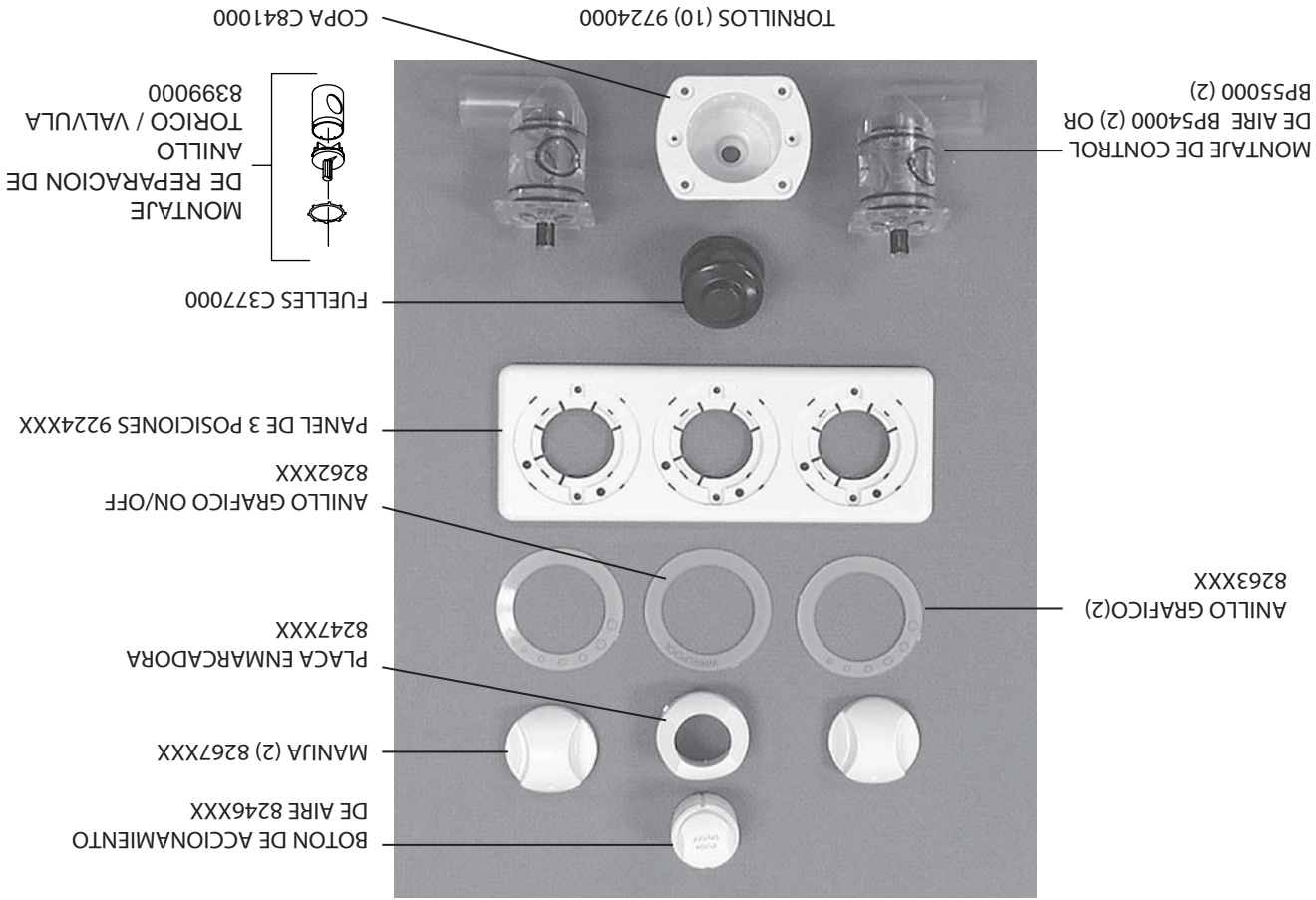
NOTA: Cuando el número de un repuesto tiene 3 Xs, sustituya el código del color apropiado para cada X.

### PIEZAS DE REPUESTO

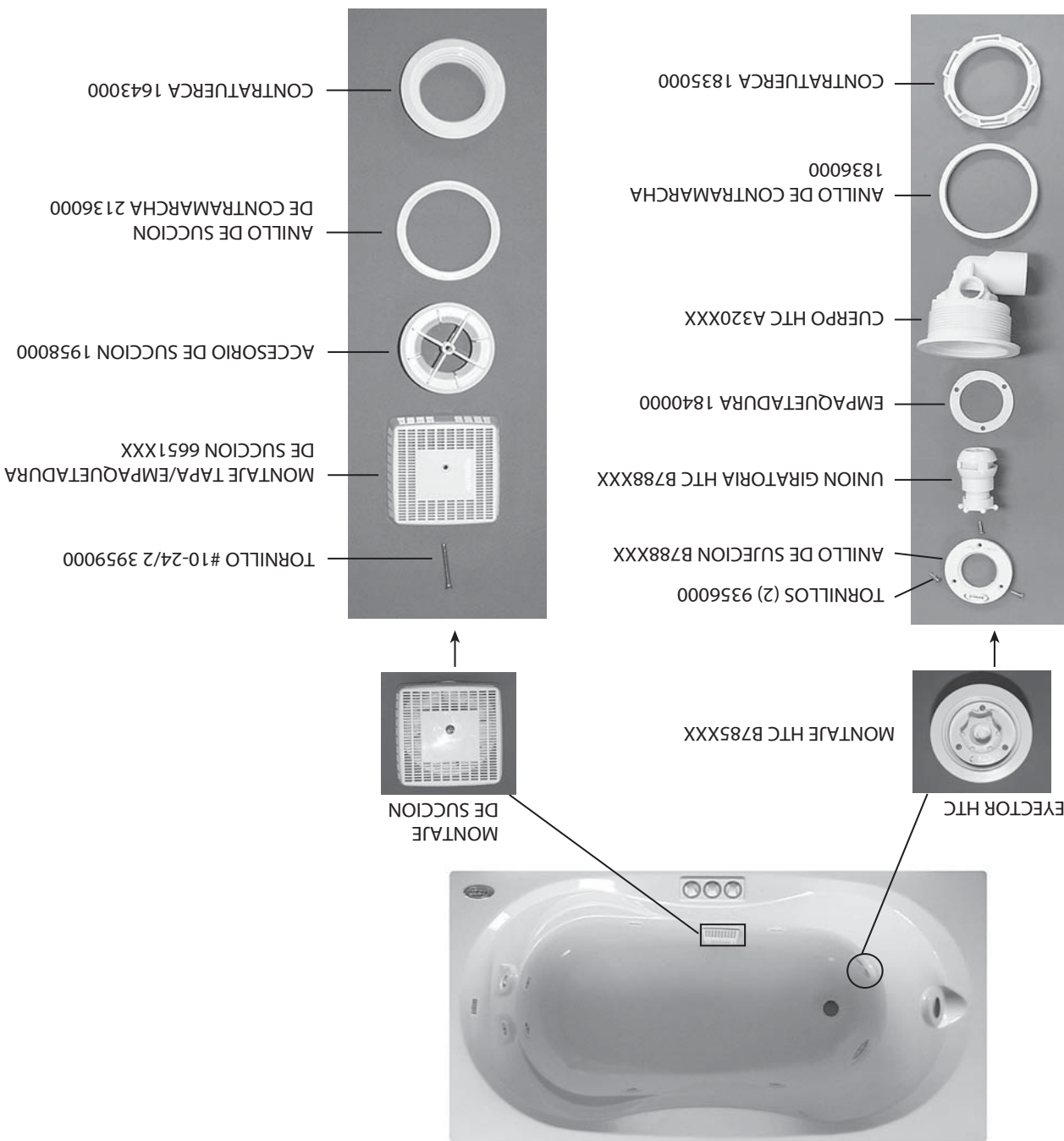
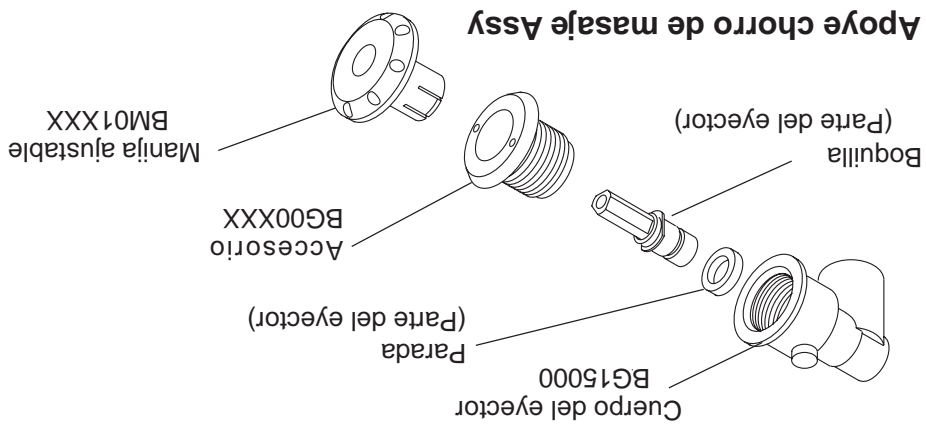
Download from [www.Somanuals.com](http://www.Somanuals.com). All Manuals Search And Download.



PANEL DE 3 POSICIONES



**Apoye chorro de masaje Assy**



NOTA: Cuando el número de un repuesto tiene 3 Xs, sustituya el código del color apropiado para cada X.

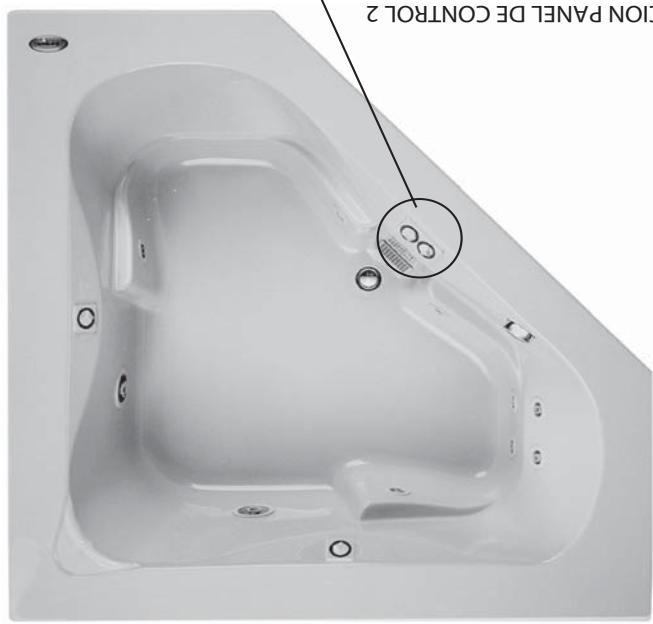
**PIEZAS DE REPUESTO**



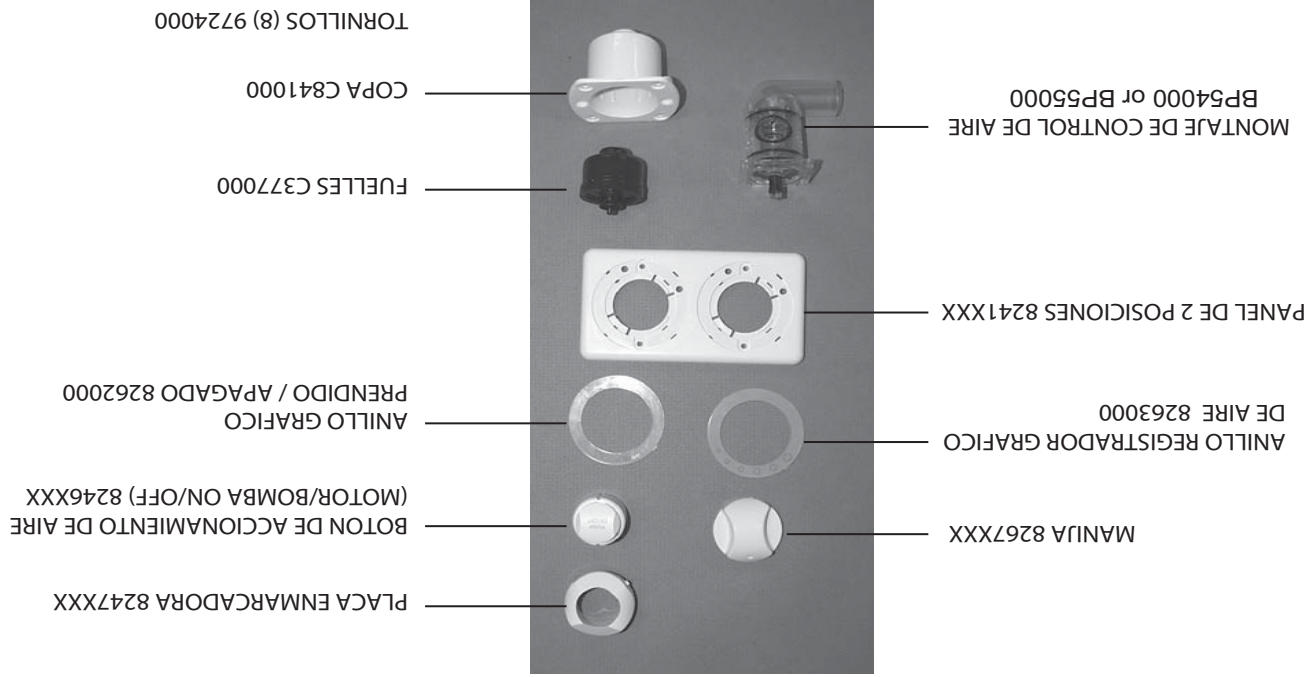
NOTA: Cuando el número de un repuesto tiene 3 Xs, sustituya el código del color apropiado para cada X.

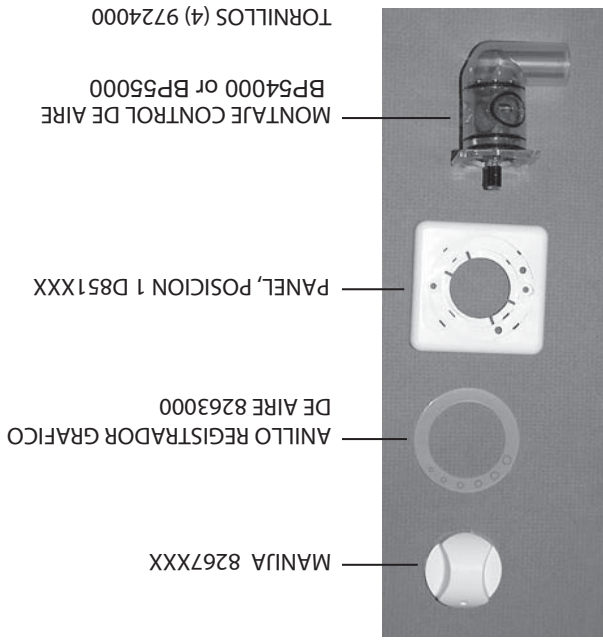
### PIEZAS DE REPUESTO

Download from [www.Somanuals.com](http://www.Somanuals.com). All Manuals Search And Download.

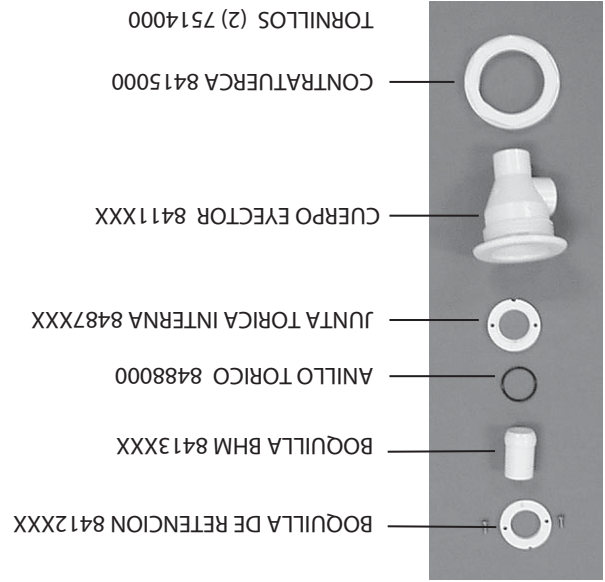


POSICION PANEL DE CONTROL 2 (AIRE & BOMBA/MOTOR ON/OFF)



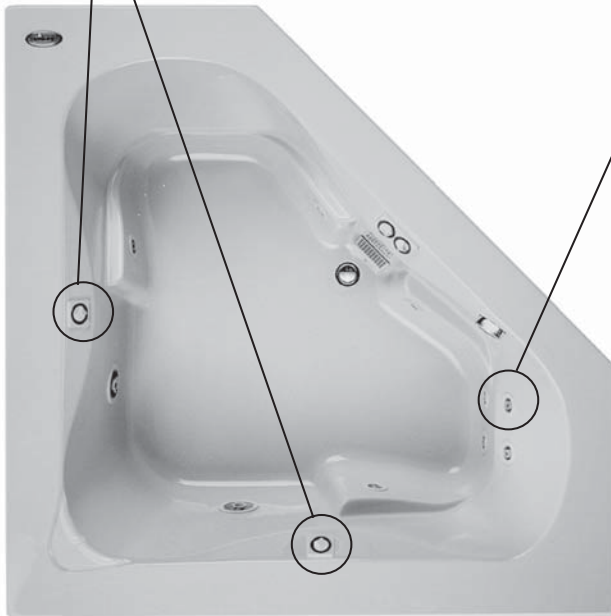


POSICION 1 EN EL CONTROL DE AIRE



MONTAJE DEL EYECTOR BMH  
 8489XXX

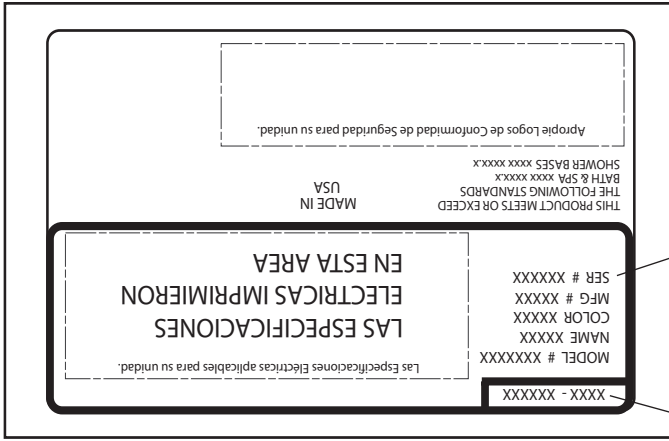
EYECTOR BMH



Bianco (940)  
 Almendra (914)  
 Ostra (969)

NOTA: Cuando el número de un repuesto tiene 3 Xs, sustituya el código del color apropiado para cada X;

**PIEZAS DE REPUESTO**



Usted encontrará el número de serie aquí

Número de centro - Número de Seri

Etiqueta de Especificaciones/Número de Seri

PRODUCTOS PARA EL BAÑO  
Baños Combination Whirlpool: La etiqueta está colocada en la pared de la tina, cerca de la bomba/motor.  
Baños Whirlpool: La etiqueta está colocada en la pared de la tina, cerca de la bomba/motor.  
Baños aéreo: La etiqueta está colocada en la pared de la tina, cerca de la fuente.  
Baños empados: La etiqueta se localiza junto a la capacidad rebosadero.

Cuando solicite servicios o asistencia técnica, por favor tenga a la mano tanto el modelo, como el número de serie de la unidad. Esta información puede ser obtenida en la tarjeta de registro del producto, proporcionada junto con su unidad. Si la tarjeta ha sido desplazada, esta información se podrá obtener en la etiqueta de especificaciones/número de serie, colocada en la unidad misma (para la ubicación de esta etiqueta, ver a continuación).

La reparación Despide o los Accesorios visitan <http://jacuzzi.com/pdf/MPD.PDF>

El fin, la Superficie, o las Reparaciones de Esqueleto-Relación visitan <http://jacuzzi.com/pdf/AFC.PDF>

Las Reparaciones eléctricas o Mecánicas visitan <http://jacuzzi.com/pdf/ASA.PDF>

Si usted necesita obtener información sobre una compañía de servicios en su cercanía, o necesita asistencia para preguntas sobre la operación o mantenimiento del producto, por favor llame a nuestro Departamento de Servicios de Apoyo, teléfono 1-800-288-4002. Para obtener una lista de agentes de servicios, visite nuestra página web, <http://www.jacuzzi.com>. Para encontrar las listas de agente de servicio para:

## Servicios autorizados productos para el baño y la ducha

Esta hoja reemplaza la página Autorizada del Servicio en este manual.

# ADDENDUM Cambio AUTORIZADO de SERVICIO



## Servicios autorizados Productos para el Baño y la Ducha

Download from [www.Somanuals.com](http://www.Somanuals.com). All Manuals Search And Download.

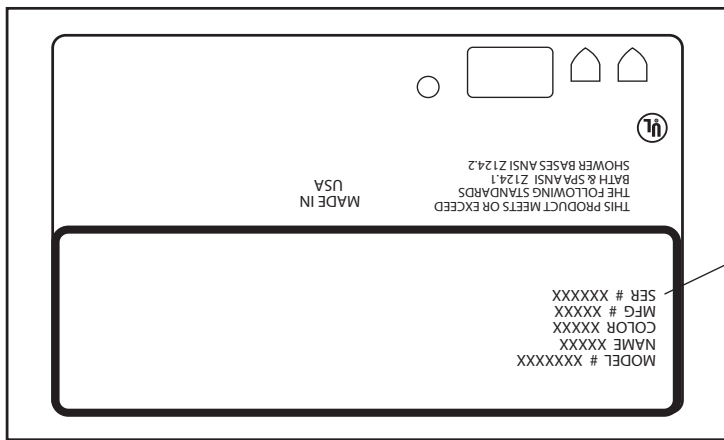
Si usted necesita obtener referencias sobre una compañía de servicios en su cercanía, o necesita asistencia para preguntas sobre la operación o mantenimiento del producto, por favor llame a nuestro Departamento de atención al cliente, al número 1-800-288-4002. Para obtener una lista de agentes de servicios, visite nuestro sitio Web en <http://www.jacuzzi.com>. Para encontrar listas de agentes de servicios, busque en "For The Trade". Luego entre a Agentes de servicios eléctricos/mecánicos (Electrical/Mechanical Service Agents). Dependiendo del problema, entre a "Reparación eléctrica/mecánica" (Electrical/Mechanical Repairs) o Problemas relacionados al Acabado, superficie o armazón (Finish, Surface or Shell-Related Problems).

Cuando solicite servicios o asistencia técnica, por favor tenga a la mano tanto, el modelo, como el número de serie de la unidad. Esta información puede ser obtenida de la tarjeta de registro del producto, proporcionada junto con su unidad. Si la tarjeta ha sido desplazada, esta información se podrá obtener de la etiqueta de especificaciones/número de serie, colocada en la unidad (para la ubicación de esta etiqueta, ver gráfico a continuación).

### PRODUCTOS PARA EL BAÑO

Bañeras de hidromasaje: La etiqueta está colocada en la pared de la tina, cerca de la bomba/motor.  
Bañeras sin corriente de chorro: La etiqueta está colocada al lado de la válvula de rebose.

Etiqueta de especificaciones/Número de serie



Usted encontrará el número de serie aquí.

# Guía general de reparación de averías en las bañeras de hidromasaje

## SOLUCIÓN

## PROBABLES CAUSAS

## PROBLEMA

<p>La bomba/motor no arranca.</p>	<p>No llega corriente a la bomba/motor.</p>	<p>Reconecte el GFCI.</p>
<p>No está conectada la bomba/motor.</p>	<p>Inserte totalmente el enchufe en el tomacorriente.</p>	<p>Reconecte el tubo al interruptor Magic Touch o al interruptor de aire de la bomba/motor.</p>
<p>Interruptor Magic Touch— El tubo de aire no está conectado al interruptor, o al interruptor de aire en la bomba/motor.</p>	<p>Reconecte el tubo al interruptor Magic Touch o al interruptor de aire de la bomba/motor.</p>	<p>Bomba/motor defectuosa.</p>
<p>La bomba/motor funciona, pero los chorros de agua no funcionan.</p>	<p>Los chorros de agua están cerrados.</p>	<p>Abra los chorros de agua rotando a la izquierda (contra las agujas del reloj).</p>
<p>La cobertura de succión puede estar bloqueada.</p>	<p>Con el motor desconectado, retire la tapa de seguridad y quite toda basura.</p>	<p>Reemplace el ensamble de la bomba/motor.</p>
<p>Aire atrapado</p>	<p>Asegúrese que el nivel del agua está al menos 1 pulg. (25 mm) sobre el chorro más alto.</p>	<p>Abra las válvulas de control de aire.</p>
<p>La bomba/motor funciona, pero el aire no se inyecta al agua.</p>	<p>Las válvulas de aire están cerradas.</p>	<p>Reemplace el tubo al interruptor Magic Touch o al interruptor de aire de la bomba/motor.</p>
<p>La bomba/motor no se apaga.</p>	<p>El interruptor Magic Touch – tubo de aire no está conectado al interruptor, o al interruptor de aire en la bomba/motor.</p>	<p>Si se utiliza el cronómetro de pared, puede que éste esté defectuoso.</p>
<p>Escape de agua en las uniones de la bomba.</p>	<p>Muy ajustado, anillo tórico mal acoplado o mal colocado, mal ajustado.</p>	<p>Atiñe los empalmes, revise y vuelva a colocar el anillo tórico. Si el anillo tórico ha perdido su forma, reemplácelo (refiérase al número de teléfono abajo). Cuando ajuste las tuercas de empalmes, <b>hágalo únicamente en forma manual.</b></p>

Deje enfriar el motor. La protección térmal se volverá a conectar. Revise la existencia de ventilación apropiada. (Revise el suministro de voltaje.)

Reconecte el GFCI. Si continúa desconectándose, no utilice este equipo. Desconecte el equipo y haga que el problema sea arreglado por un electricista autorizado antes de volver a utilizarlo.

Bomba/motor se apaga por sí solo, o mediante el cronómetro, antes del tiempo fijado.

Debido a sobre calentamiento (suministro de voltaje bajo), la protección térmal del motor ha desactivado la bomba/motor.

GFCI desconectado.

Cable de alimentación inadecuado.

Consulte con un electricista autorizado para corregir el cableado de la unidad.

NOTA: Si la unidad está dentro del plazo de su garantía, contacte al Servicio de apoyo de Jacuzzi Whirlpool Bath al 1-800 288-4002, y verifique el número de serie de la unidad antes de que se inicie el trabajo. El número de serie se localiza en las especificaciones / placa de número de serie. Vea la página 13.

**Aditivos de baño**  
**NOTA: NO UTILICE ADITIVOS DE BAÑO CON BASE ACEI-**

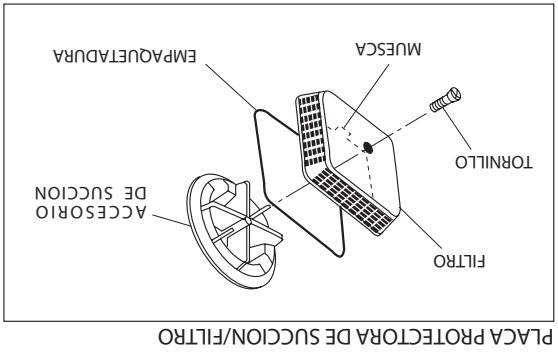
**TOSA.**  
 Si Ud. desea utilizar cualquier clase de aditivo en el baño, utilice solamente una pequeña cantidad de polvo o sustancia cristalina de poca espuma; la acción de hidromasaje intensifica las propiedades de hacer espuma de los jabones.

El uso de ciertos aceites de baño, baños de burbujas y aditivos de baño pueden incrementar el nivel de acumulación de residuos en el sistema de bañeras de hidromasaje. Si los excesos de acumulaciones persisten, Ud. debe dejar de seguir usando estos productos.

**Mantenimiento de la placa protectora de succión/filtro**

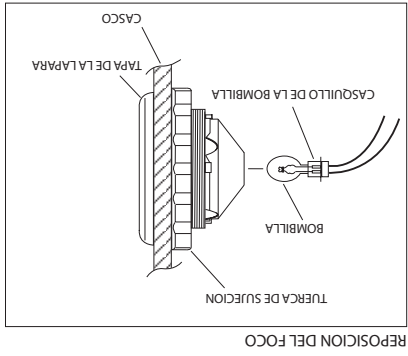
Elimine los residuos de cabello y mugre acumulados en la placa protectora de succión y en el filtro cuando sea necesario. Para ello, retire el tornillo central y desmonte la placa cuadrada. Limpie los orificios de la placa con una descarga de agua. Cuando la reinstale oriente la placa y el filtro con la pequeña muesca en la parte inferior. El empaque debe insertarse en el surco de la placa/filtro antes de reinstalar el accesorio de succión.

**PRECAUCIÓN:** Cuando esté encendido el sistema de hidromasaje, mantenga el cabello alejado del accesorio de succión aproximadamente 6 pulgadas (15 cm). El cabello largo hasta los hombros debe llevarse recogido o cubierto con una gorra de baño. No encienda el sistema de hidromasaje si la placa protectora no está en su lugar. Es un dispositivo de seguridad y siempre debe estar bien colocado para reducir al mínimo el riesgo de que el cabello o alguna parte del cuerpo queden atrapados.



**Lámpara**

Pida a su distribuidor Jacuzzi Whirlpool Bath que le muestre las gamas de lámparas que pueden instalarse en su bañera. Cuando se funda la bombilla, retirela de la parte posterior de la lámpara separándola del casquillo, que se encuentra debajo del casco. Las bombillas de repuesto (12V, 7W) están disponibles con su distribuidor Jacuzzi Whirlpool Bath.



**Reparaciones de la superficie**  
 Será necesario volver a aplicar el terminado a la bañera si las ralladuras y estrías son tan profundas que penetran en la superficie acrílica. Pida a su distribuidor autorizado Jacuzzi Whirlpool Bath instrucciones especiales.

**Nunca use limpiadores abrasivos para el hogar en ningún producto Jacuzzi Whirlpool Bath.**

Para limpiar la bañera sólo use detergentes líquidos suaves, no abrasivos. Puede proteger y recuperar el brillo de la superficie acrílica aplicando "Meguiar's # 10 Mirror Glaze", un producto especialmente diseñado para acabados acrílicos. En caso de no encontrar este producto en el mercado puede usar una cera acrílica de igual calidad o cera para pulir automóviles.

**Purgar el sistema de las bañeras de hidromasaje**  
**NOTA: EL SISTEMA DE HIDROMASAJE DEBE PURGARSE POR LO MENOS DOS VECES AL MES**

Para eliminar los residuos de baño, acumulados en el sistema de hidromasaje, es recomendable limpiar el sistema de hidromasaje por lo menos dos veces al mes. Sin embargo, para obtener mejores resultados, le recomendamos que purgue su sistema después de cada uso, utilizando nuestro detergente exclusivo de dos partes, fabricado especialmente para bañeras de hidromasaje. "Systems Clean™" está disponible a través de nuestros distribuidores autorizados de baños Jacuzzi Whirlpool o llámanos directamente al 1-800-4002. Instrucciones para su uso: inmediatamente después del baño, y después de salir de la bañera, deje el agua en la bañera y agregue agua caliente si es necesario, de tal modo que el agua se encuentre por lo menos 1 pulg. (25 mm) por encima del tubo de salida más alto. Active la unidad sin el aereador. Vierta el contenido del paquete 1 "Systems Clean" dentro de la bañera, próximo a la toma de la bomba de circulación, teniendo cuidado de no derramar el material sobre usted. Repita ese mismo procedimiento con el paquete 2 de Systems Clean 2. Para evitar un olor fuerte, es importante utilizar el paquete 1 antes que el paquete 2. Haga correr agua en la bañera de 5 a 10 minutos. Desagüe completamente y enjuague cualquier residuo.

Si Ud. ha seguido las instrucciones de purgar de la manera mencionada, y todavía tiene un exceso de residuos de baño acumulados y por lo tanto desea un mecanismo alternativo de limpieza, recomendamos **SUPER SYSTEMS CLEAN PLUS**, manufacturado por "Stearns Packaging" para rectificar esta situación. Este producto se puede obtener contactándonos al 1-800-288-4002. Se recomienda que Ud. siga las instrucciones del fabricante incluidas con el producto. Puede que sea necesario usar este producto repetidamente. **SUPER SYSTEMS CLEAN PLUS** empuja la necesidad de limpiar el sistema periódicamente con Systems Clean, y de acuerdo a las recomendaciones indicadas. (Para información adicional acerca del contenido y calidad de agua, comuníquese con nosotros para solicitar una copia de la guía de instrucción sobre la calidad superior de agua del Jacuzzi, "Jacuzzi Water Quality Primer".

Una vez que el calentador esté instalado y la bomba de circulación de agua esté activada, el funcionamiento del calentador será completamente automático. El calentador ayudará a mantener la temperatura del agua en la bañera.

**Interruptor de vacío**

El calentador está equipado con un interruptor preajustado de vacío que no permitirá que el calentador se encienda (ON) si la bomba no está funcionando con el agua fluyendo a través del sistema.

**Interruptor de límite alto**

El calentador incluye un interruptor exclusivo de límite alto. Este circuito de seguridad no se accionará falsamente por el agua caliente contenida en la tubería. Su única función es apagar el calentador si falla el termostato. Si el límite superior se activa con frecuencia, contacte a su proveedor de servicio, eléctrico/mecánico, autorizado. También puede visitar nuestro sitio Web en <http://www.jacuzzi.com/> para encontrar a un Proveedor de Internet.

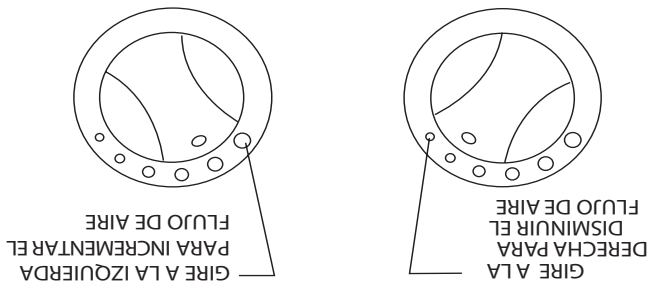
La luz permanecerá encendida mientras que el calentador esté en funcionamiento.

**Calentador en posición de encendido (ON)**



PROTECTOR DE RECALENTAMIENTO  
CALENTADORA EN FUNCIONAMIENTO

CONTROLES PARA INDUCCIÓN DE AGUA



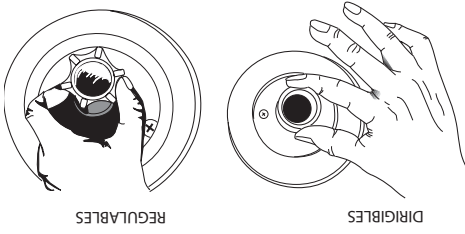
**Cómo controlar el sistema de hidromasaje**  
El funcionamiento del sistema de hidromasaje de la bañera está determinado por tres factores: dirección del flujo, fuerza del agua y fuerza del aire. Todas las bañeras fabricadas por Jacuzzi Whirlpool Bath están equipadas con chorros regulables PowerPro®, que pueden ajustarse con respecto a estos tres factores. Algunas bañeras cuentan con chorros regulables sólo en cuanto a dirección y flujo del aire.

**Instrucción:** Para cambiar la dirección del flujo del agua, haga girar la boquilla del chorro hacia el ángulo deseado. Los chorros pueden dirigirse en forma independiente hacia cualquier parte del cuerpo y también pueden regularse para que apunten en la misma dirección (hacia la izquierda o hacia la derecha) a fin de mover el agua en forma circular para crear un efecto de hidromasaje.

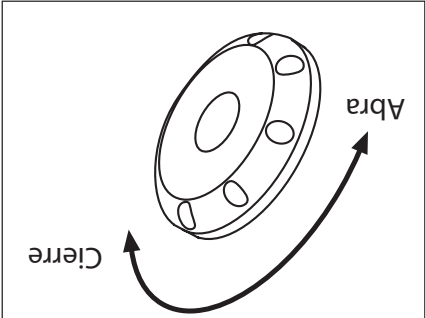
**Fuerza del agua:** Los chorros regulables de alto volumen pueden ajustarse para controlar la fuerza del agua que cae a la bañera. Para incrementar la fuerza haga girar a la izquierda (en sentido contrario de las agujas del reloj) los controles de los chorros; para reducir, hágalos girar a la derecha en sentido de las agujas del reloj). **Nunca active el sistema de hidromasaje si los chorros están cerrados.**

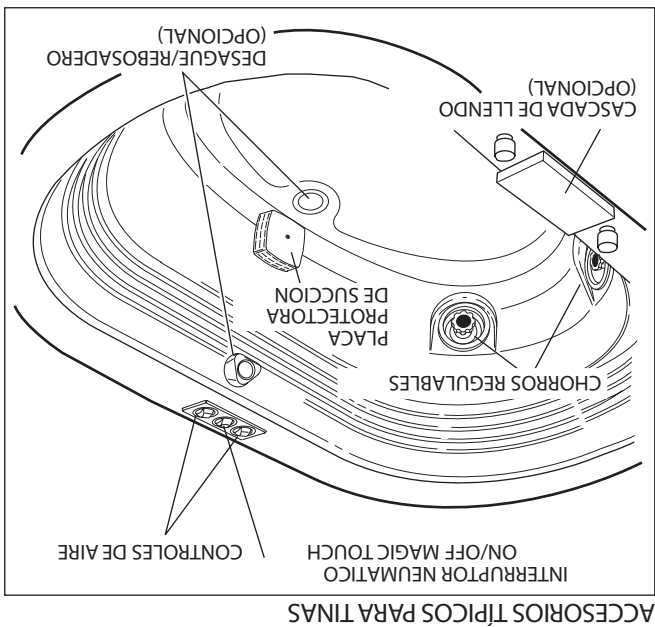
**Fuerza del aire:** La bañera tiene dos manijas que sirven como controles del sistema de inducción de aire. La intensidad del hidromasaje depende de la cantidad de aire que se induce en el agua. A medida que aumenta la cantidad de aire, se incrementa la fuerza del hidromasaje. Para lograr la máxima inducción de aire, haga girar los controles a la izquierda (en sentido contrario de las agujas del reloj), hacia los círculos más grandes. Para disminuir las burbujas de aire, reduzca la inducción de agua haciendo girar los controles hacia la derecha (en sentido de las agujas del reloj). Cuando los controles se ajustan en los círculos más pequeños, sólo circula agua en la bañera.

CHORROS



Chorro de masaje de la espalda—Ajuste del flujo





## FUNCIONAMIENTO

### OPERACIÓN

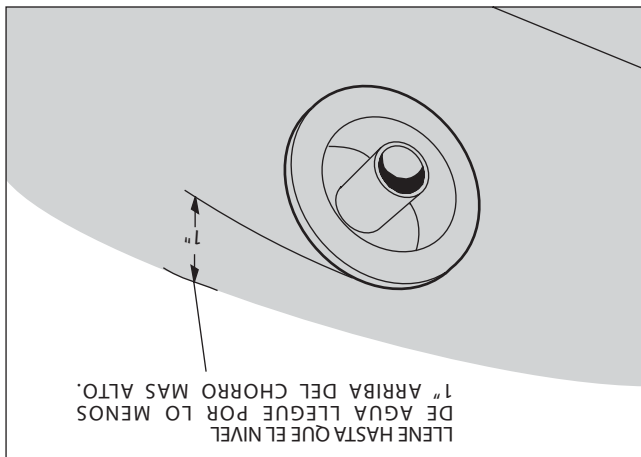
**NOTA: Estas instrucciones se aplican a todos los productos para baño fabricados por Jacuzzi Whirlpool Bath. No todas las características descritas en el folleto de instrucciones se aplican a todas las tinas.**

Todas las bañeras fabricadas por Jacuzzi Whirlpool Bath están diseñadas para "llenarse y vaciarse", lo que significa que la bañera debe vaciarse después de usarla con agua limpia. Esta es una medida de higiene, ya que estas bañeras no están diseñadas para estar llenas de agua constantemente como una piscina o spas. Si usted quiere una unidad diseñada para mantener continuamente el agua, póngase en contacto con su distribuidor de Jacuzzi Whirlpool Bath para conocer los modelos disponibles en el mercado de la línea Whirlpool.

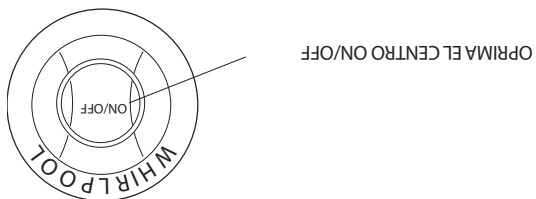
Una vez instalada la bañera, retire cualquier residuo o material extraño que haya quedado de la construcción. Use trementina o diluyente para eliminar manchas y residuos difíciles de pintura o alquitran. Otros tipos de residuos pueden eliminarse con un trozo de tela humedecido con detergente líquido. Frote ligeramente la superficie con una pieza de madera o plástico para retirar los residuos de yeso; **no use lijas metálicas, cepillos de alambre u otras herramientas de metal porque dañarán la superficie de la bañera.**

### Nivel del agua

Cierre el desagüe y llene el baño hasta que agua sea por lo menos 1 pulg. (25 mm) encima del chorro más alto (ver línea de flotación indicada en la ilustración). **En ningún momento encienda el sistema de remolino si los chorros no se sumergen completamente en el agua.** Poner a funcionar el sistema de hidromasaje cuando el agua es insuficiente en el baño podría tener como resultado que el agua se desborde fuera del área del baño. Correr el sistema de hidromasaje sin agua dañará la bomba de recirculación.



### INTERRUPTOR MAGIC TOUCH



Si su bañera cuenta con un cronómetro de pared de hidromasaje, prográmelo el tiempo que desea operar el sistema de hidromasaje. Nota: Cuando quiera que funcione sólo 10 minutos, haga girar el cronómetro a la derecha hasta pasar el número 10 y regésole al número deseado. Si el sistema hidrotérmico no se activa, habiendo sido programado correctamente el cronómetro, será necesario oprimir el botón del interruptor Magic Touch.

### Interruptor del sistema de hidromasaje Magic Touch®

El interruptor del sistema de hidromasaje ON/OFF Magic Touch, ubicado en una posición muy cómoda en la bañera, le permite activar o apagar el sistema de hidromasaje mientras se baña. Sólo oprima el botón del interruptor para activarlo; para apagarlo, oprímalo nuevamente.



# INSTALACION

## Información sobre el desague

Debe instalarse una unidad de desague/rebosadero en la bañera (se vende por separado), verificar que no presente fugas y que esté conectado al sistema sanitario de la casa. Después de abrir la caja de embalaje, verifique que no hay daños y que el acabado es correcto. Observe que el juego de pestaña, el filtro, la placa protectora de rebosé y los tornillos de la placa de la unidad de desague/rebosadero del Jacuzzi Whirlpool Bath vienen en un paquete por separado para proteger el acabado. Siga las instrucciones de instalación incluidas en su unidad de desague/rebosadero. Después de haberse instalado todo el desague, revise si éste está funcionando adecuadamente. Si la unidad no drena adecuadamente, rectifique esta condición antes de proceder con la instalación. Jacuzzi Whirlpool Bath no es responsable por gastos de remoción o reinstalación de las bañeras.

**NOTA: Es responsabilidad del instalador que las conexiones no presenten fugas. La garantía de Jacuzzi Whirlpool Bath de este producto no cubre fugas en el desague.**

## Plomería

La bomba, las boquillas del chorro y los dispositivos de succión para el sistema hidrotérmico se aploman en la fábrica en tubería de PVC con clasificación 40. Todos los productos Jacuzzi Whirlpool Bath se prueban en la fábrica antes de embarcarse para verificar que funcionen correctamente y que las conexiones no tengan fugas. Si detecta fugas, consulte su concesionario de Jacuzzi Whirlpool Bath. No instale la unidad.

Consulte las autoridades locales con respecto a los requisitos de plomería en su local.

**IMPORTANTE: Es responsabilidad del instalador colocar correctamente la plomería del surtidor de llenado y cumplir con las normas correspondientes. Jacuzzi Whirlpool Bath no garantiza las conexiones del suministro de agua, de la tubería, de los sistemas de llenado o de desague. Tampoco es responsable de los daños sufridos por la bañera durante la instalación.**

**PRECAUCION:** Para que la bañera no sufra daños durante los trabajos de soldadura, coloque una barrera protectora anti-inflamable.

## Limpieza después de la instalación

Para evitar que la superficie de la bañera se raye o pierda brillo, no use limpiadores abrasivos, sino detergentes líquidos suaves.

Retire los residuos de yeso con una pieza de madera o plástico. Las herramientas de metal rayan la superficie. Las manchas producidas por el yeso o el mortero pueden eliminarse frotando suavemente la superficie con un trozo de tela o una esponja húmeda con detergente.

La pintura, alquitrán u otra mancha difícil puede ser removida con trementina, diluyente o alcohol isopropílico.

Las ralladuras menores que no penetran el color acabado pueden ser removidas con una lija fina No. 600 seca/húmeda. Usted puede restaurar el acabado brillante en la superficie de acrílico de la bañera con un compuesto especial denominado "Meguiar's # 10 Mirror Glaze". Si este producto no está disponible en el mercado, use un compuesto de frotado para automóviles seguida de una cera en pasta también para automóviles.

Será necesario volver a aplicar el terminado a la bañera si las ralladuras y estrías son tan profundas que penetran la superficie acrílica. Solicite a su agente, distribuidor de Jacuzzi Whirlpool Bath, un folleto de instrucciones.

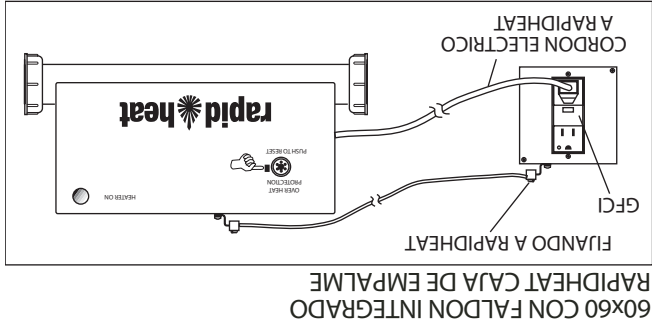
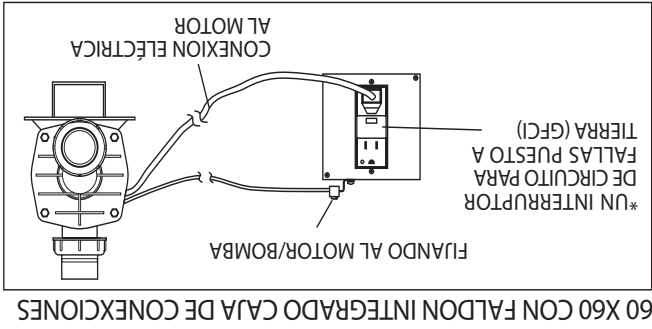
## Conexiones eléctricas 6060 con calentador

En el modelo 6060 con faldón integrado se ha proporcionado una caja de conexiones para la bomba/motor y para el calentador. Para acceder, remueva el rebordado del panel de acceso. Vea la vista superior que describe su ubicación.

Un interruptor de circuito separado tipo GFCI, no suministrado, es requerido para la bomba/motor y deberá ser instalado en la caja de conexiones. La caja de conexiones deberá ser fuertemente alambrada. El motor es conectado a la caja de conexiones en la fábrica.

Instale un circuito exclusivo separado con la protección de GFCI de 120 VAC, 15 AMP. Con un alambre sólido de cobre, de calibre 8, vincule el calentador al panel eléctrico o según lo que determine las normas locales de electricidad. Una agarradera de conexión se proporciona con el calentador.

Al encender por primera vez y antes de cada uso después con el interruptor en ON (encendido), empuje el botón de prueba de GFCI. El botón indicado para reinicio debe empujar hacia fuera. Presione este botón para reiniciar. Si el interruptor falla de operar en esta manera, hay una corriente de falla que fluye o un funcionamiento defectuoso de dispositivo, indicando la posibilidad de descarga eléctrica. Desconecte la corriente eléctrica y no use la bañera hasta que la causa del problema sea identificada y corregida.

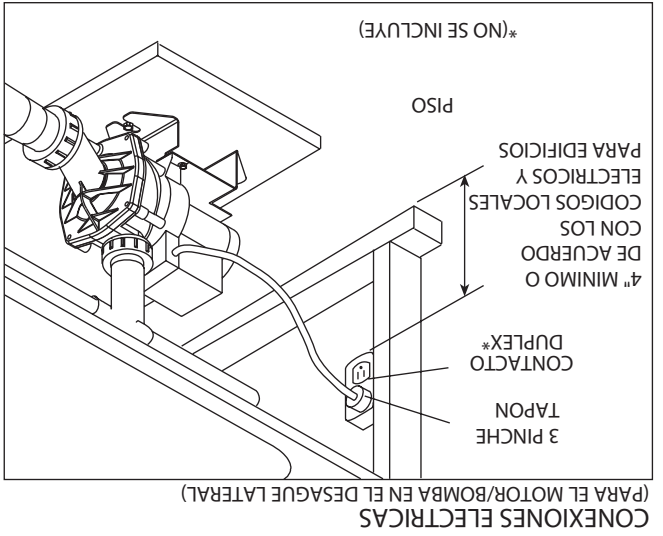
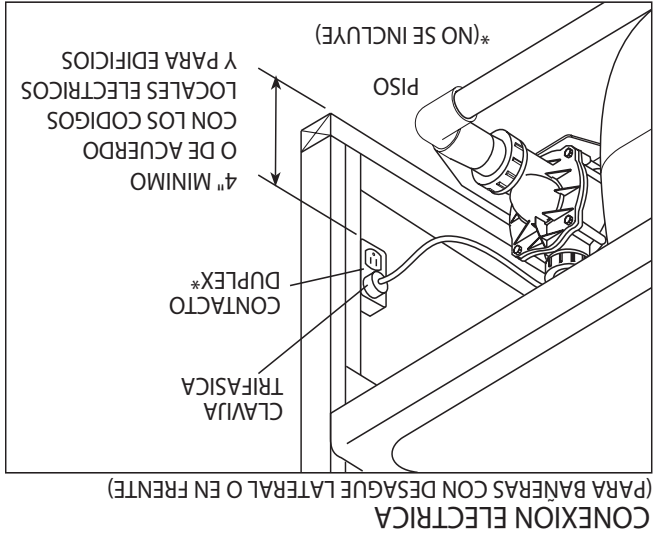


## Conexiones eléctricas

Se requiere de un circuito independiente protegido con un interruptor de pérdida a tierra tipo (GFCI). Instale una toma doble/duplex en la base de la bañera, por lo menos 4 pulgadas (10.2 mm) arriba del piso. No se incluye el contacto duplex porque estas unidades están fabricadas con un seguro y cómodo interruptor ON/OFF (encender/apagar) Magic Touch, por lo que no requieren de interruptor remoto o cronómetro. De requerir un interruptor o cronómetro adicional se dispone del modelo 120 VAC para "Jacuzzi Whirlpool Bath".

**PELIGRO: RIESGO DE DESCARGA ELECTRICA.** Conecte la unidad solamente a un circuito protegido con un GFCI.

**PRECAUCION:** El motor o la bomba pueden sufrir fugas y daños permanentes si se operan sin agua suficiente en la bañera. Antes de conectar la energía eléctrica a la instalación, para evitar que se dañe la bomba, asegúrese de que el interruptor esté en la posición "OFF".



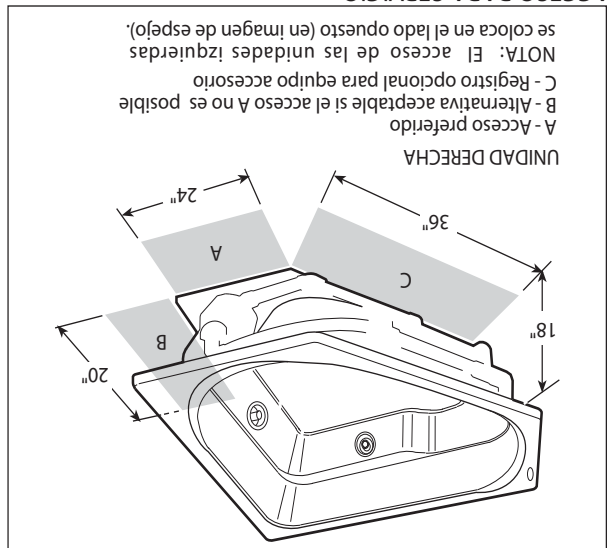
# INSTALACION

## Acceso de servicio

En el caso de instalaciones parciales o totalmente empotradas, deje un acceso a las conexiones de servicio. Es responsabilidad del instalador dejar espacio suficiente para el registro. Las medidas mínimas recomendadas para el registro de la bañera se muestran en la ilustración que lleva el nombre de "Acceso para servicio sin faldón".

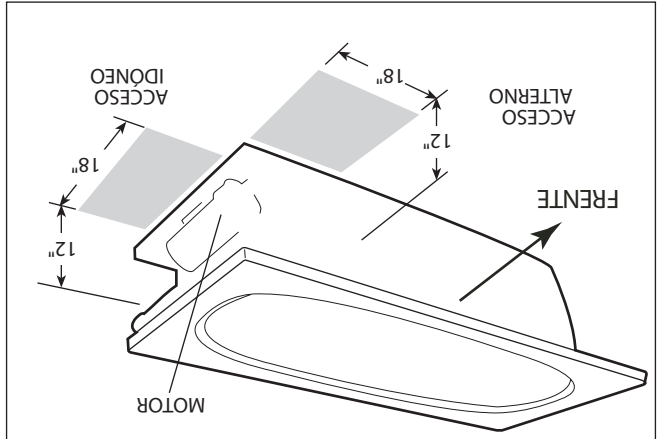
Provea el área adecuada alrededor del motor de la bañera para permitir la circulación del aire, el enfriamiento del motor y para proveer aire suficiente a las boquillas de salida de agua. No ponga aislamiento en esta área o alrededor del motor.

ACCESO PARA SERVICIO (BAÑERAS DE ESQUINA SIN FALDON)



UNIDAD DERECHA  
A - Acceso preferido  
B - Alternativa aceptable si el acceso A no es posible  
C - Registro opcional para equipo accesorio  
NOTA: El acceso de las unidades izquierdas se coloca en el lado opuesto (en imagen de espejo).

ACCESO PARA SERVICIO (SIN FALDON)



## Acceso de servicio (bañera con faldón)

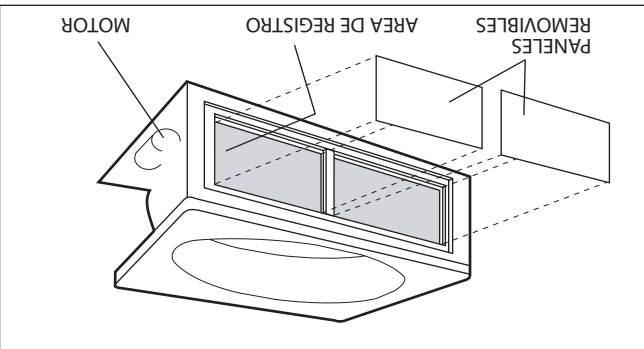
Se puede colocar un faldón opcional a lo largo de la bañera para cubrir las instalaciones sobre el nivel del piso, y usarlo también como acceso para dar servicio a las instalaciones. Para poder retirar el faldón, deje un espacio de por lo menos 8 pulgadas (203 mm) con respecto a la bañera.

El diseño del faldón permite colocarlo al ras del suelo cubriendo hasta 1-1/4 pulg. (32 mm) de la orilla de los azulejos, el lindero u otros recubrimientos utilizados en el piso.

El faldón opcional incluye instrucciones de instalación más detalladas.

**Acceso de servicio (bañera con faldón integrado)**  
Se tiene acceso de servicio a las instalaciones por los paneles removibles del faldón.

ACCESO PARA SERVICIO (CON FALDON INTEGRADO)



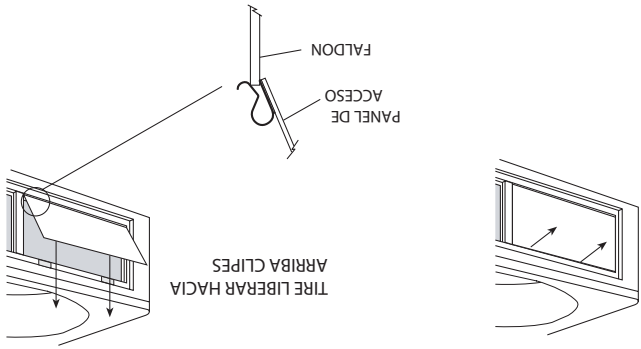
## Acceso opcional de servicio de RapidHeat™

Cuando las bañeras se han pedido con el calentador opcional de RapidHeat se debe considerar un acceso adicional de servicio.

**Si el acceso de servicio no se ha proporcionado, es responsabilidad de los propietarios retirar la bañera y proporcionar el acceso requerido, para permitir la reparación necesaria.**

## Entrepañó móvil de Falda

Para quitar entrepañó, asir la cima de entrepañó de acceso entrepañó para liberar hacia arriba teniendo clips. Para volver a instalar, comprometer teniendo clips en la falda y entonces entrepañó de empujón delantero para contratar de nuevo velcro™.



**Estructura y soporte**

La instalación del desagüe y del rebosadero se extiende por debajo de la parte inferior de la bañera. Cabe señalar que para esto se requiere hacer un corte en el piso.

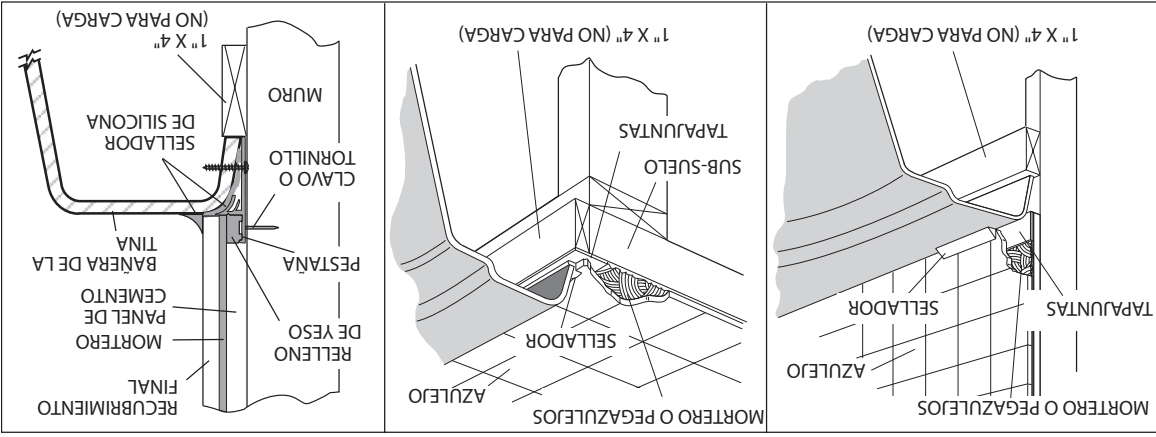
La estructura del piso debajo de la bañera debe poder soportar el peso total de la bañera, el agua, y el ocupante. Consulte el cuadro correspondiente al peso total de su modelo. La unidad tiene que estar soportada por la parte inferior de la bañera y no del borde o pestaña de la misma. Si el subsuelo es plano y posee una superficie continua ninguna otra preparación es necesaria. Entonces, usted puede continuar con la instalación de la bañera. En cambio, si el subsuelo no está nivelado, usted **TIENE QUE** nivelar toda la superficie antes de instalar la bañera. El uso de materiales de relleno o que permitan una instalación a nivel, son permitidos siempre y cuando el método que se use garantice una bañera nivelada y debidamente sujeta por debajo. Los materiales que se pueden utilizar son: un compuesto de nivelación para piso, mortero, yeso de construcción, o espuma de mínima expansión estructural con una densidad de un mínimo de 5 lbs/pies cúbicos; sin embargo el baño debe mantenerse nivelado para garantizar una apropiada descarga y que todos los pies de espuma hagan total contacto con la materia que nivelan. Ambos lados de la junta o empalmes del subsuelo deben estar nivelados. **Al fijar la bañera al muro, utilizando pestañas, use planchas de relleno para salvar cualquier espacio entre las pestañas de la bañera y el muro.**

El borde de la bañera no está hecho para soportar peso. Si el material de recubrimiento va a estar en contacto con la bañera o sobrepuesto, el peso adicional no debe recaer sobre ella.

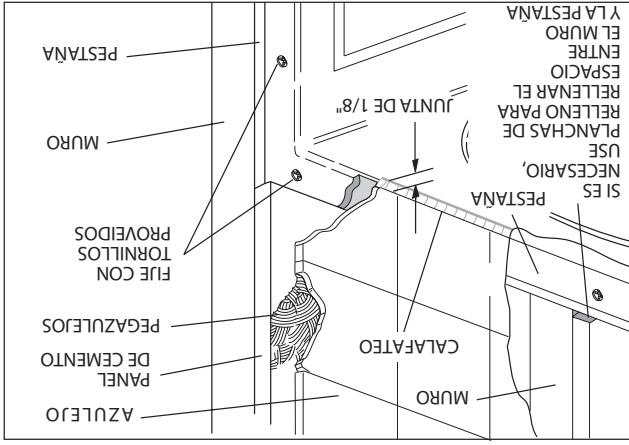
El plástico protector debe permanecer dentro de la bañera durante la instalación. Antes de la instalación remueva el plástico, inspeccione que la bañera no tenga daños o defectos, coloque nuevamente el plástico ya que, éste protege la superficie de daños ocasionados por zapatos, herramienta, etc. Finalmente retirelo al completar la instalación y hacer la limpieza final.

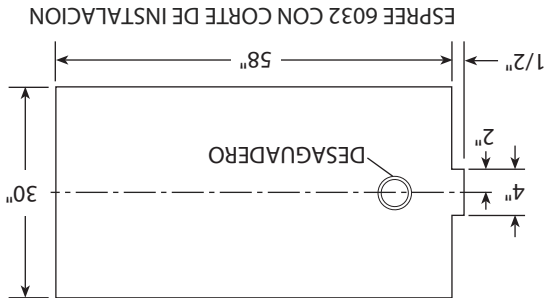
**Importante: Si se ha de utilizar un faldón, éste deberá instalarse cuando se esté instalando la unidad. - Consulte las instrucciones de instalación del faldón.** Cuando se haya completado toda la instalación, instale las partes opcionales de las vestiduras.

INSTALACIONES TÍPICAS

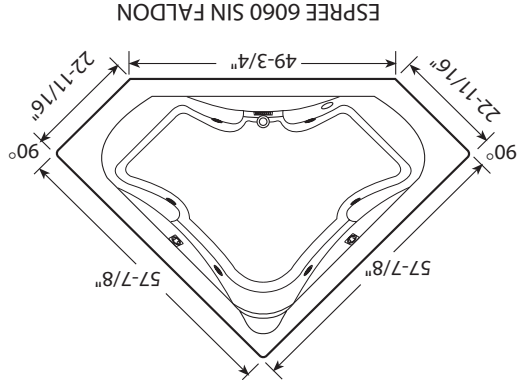


DETALLE DEL MONTAJE DE PESTAÑA TÍPICO





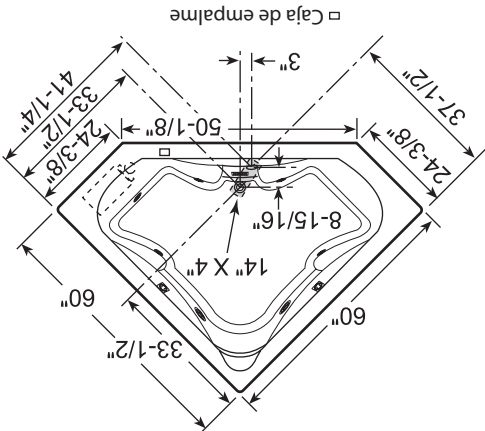
CORTE DEL 6032



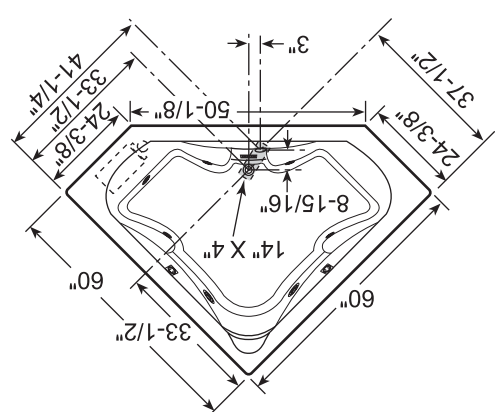
CORTE DEL 6060

- NOTA: \*Añada 1/4 pulg. a esta medida al instalar las unidades de 3 muros.
- Las dimensiones en general son nominales con una tolerancia de +0 y -1/4 pulg. (+0 y -6.3 mm).
  - \*Añada 1/4 pulg. (6.3 mm) a esta medida al instalar las unidades de 3 muros.
  - Las medidas que aparecen adentro de la unidad representan el corte necesario en el piso para la instalación de desagüe/rebosadero
  - Todas las medidas vienen en pulgadas; para convertirlas a milímetros, multiplique por 25.4.

ESPEE 6060 CON FALDON INTEGRADO  
(Unidad derecha solamente como se representa)



ESPEE 6060 SIN FALDON  
(Unidad derecha representada. La unidad izquierda es una imagen proyectada)

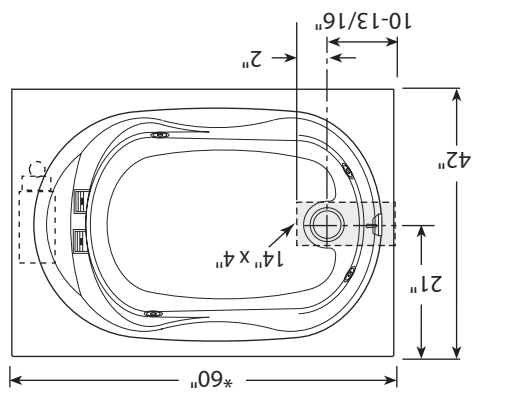


NOTA: A menos que se especifique lo contrario, las unidades son producidas con versiones de mano derecha izquierda.

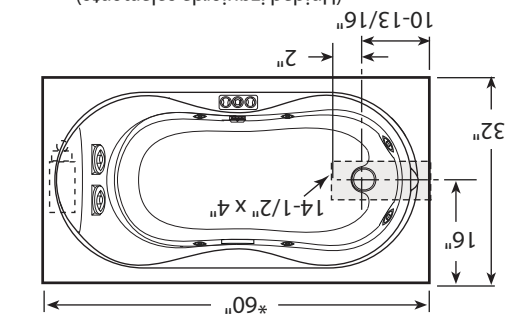
DIAGRAMAS EN PLANTA DE INSTALACIONES (ESQUINA)

**DIAGRAMAS EN PLANTA DE INSTALACIONES (MODELO RECTANGULAR)**

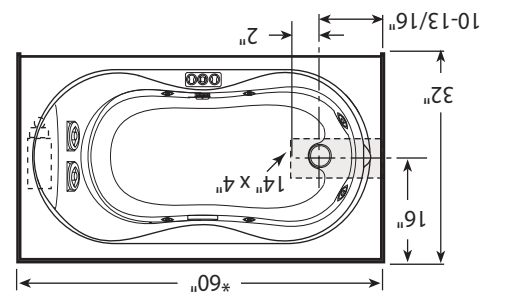
NOTA: A menos que se especifique lo contrario, las unidades son producidas con versiones de mano derecha izquierda.



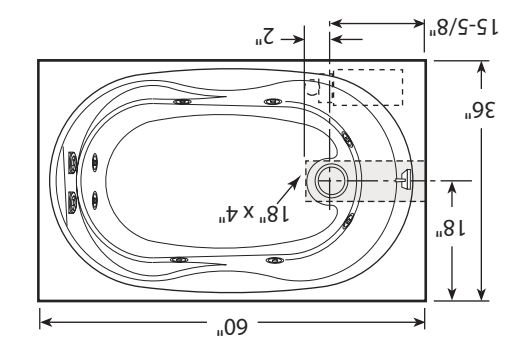
ESPREE 542 BM  
(Unidad izquierda representada)



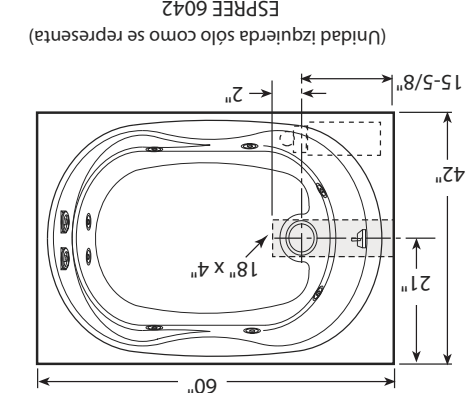
ESPREE 6032  
(Unidad izquierda solamente)



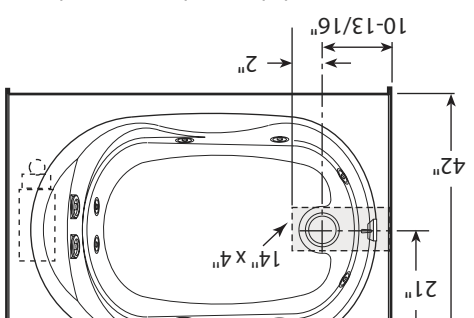
ESPREE 6032 CON FALDON  
(Unidad izquierda representada)



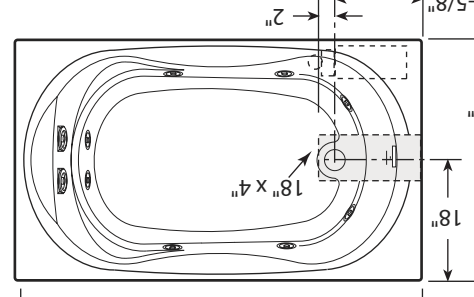
ESPREE 6036  
(Unidad izquierda sólo como se representa)



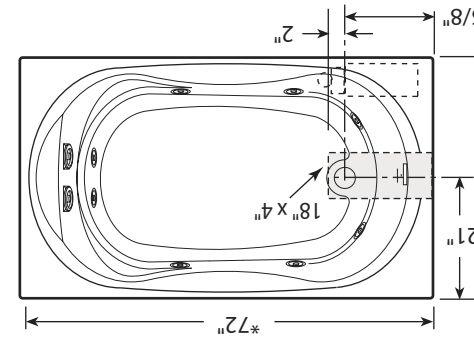
ESPREE 6042  
(Unidad izquierda sólo como se representa)



ESPREE 6042 CON FALDON  
(Unidad izquierda representada)



ESPREE 7236  
(Unidad izquierda sólo como se representa)



ESPREE 7242  
(Unidad izquierda sólo como se representa)

NOTA: 1. Las dimensiones en general son nominales con una tolerancia de +0 y -1/4 pulg. (+0 y -6.3 mm). 2. \*Añada 1/4 pulg. (6.3 mm) a esta medida al instalar las unidades de 3 muros. 3. Las medidas que aparecen adentro de la unidad representan el corte necesario en el piso para la instalación de desagüe/rebosadero. 4. Todas las medidas vienen en pulgadas; para convertirlas a milímetros, multiplique por 25.4.

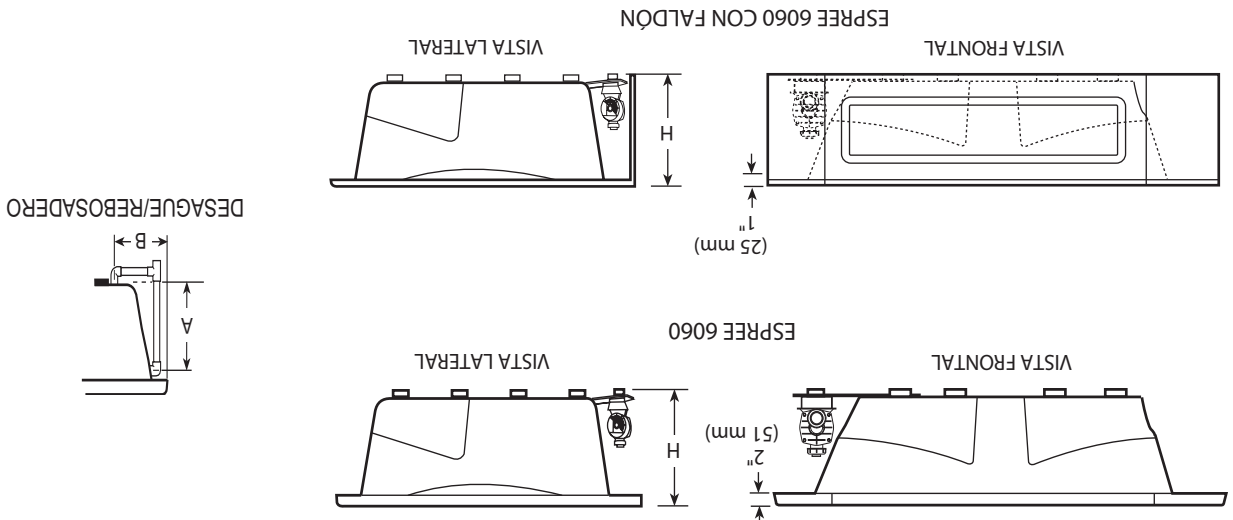
ACCESORIOS PARA TODAS LAS UNIDADES

Paquete de lámparas 7701XXX	805 Platino	805 Platino	805 Platino
959 Blanco	805 Platino	805 Platino	805 Platino
958 Almendra	815 Níquel satinado	815 Níquel satinado	815 Níquel satinado
969 Ostra	826 Níquel cepillado	826 Níquel cepillado	826 Níquel cepillado
	827 Cromo	827 Cromo	827 Cromo
	829 PVD cobre	829 PVD cobre	829 PVD cobre
	898 Cromo cepillado	898 Cromo cepillado	898 Cromo cepillado
	845 Bronce pulido con aceite	845 Bronce pulido con aceite	845 Bronce pulido con aceite
Juego de bordes para salir das de agua X163XXX	Juego de desagüe / rebosadero Juego 8730XXX	Juego de desagüe / rebosadero Juego 8730XXX	Juego de desagüe / rebosadero Juego 8730XXX
	Lado de succión S750000	Lado de succión S750000	Lado de succión S750000
	en línea	en línea	en línea
RapidHeat™ Calentador	RapidHeat™ Calentador	RapidHeat™ Calentador	RapidHeat™ Calentador

NOTA: Las dimensiones en general son nominales con una tolerancia de +0 y -1/4 pulg. (+0 y -6.3 mm).  
 PARA TODAS LAS UNIDADES: Requisitos eléctricos del servicio: Todas requieren un protector de circuito independiente tipo GFCI.  
 RapidHeat™: 120 VAC, 15 AMP, 60 Hz. Protector de circuito independiente tipo GFCI.  
 Motor/bomba: 120 VAC, 15 AMP, 60 Hz. Protector de circuito independiente tipo GFCI.

MODELO	MEDIDAS	REBOSADERO/DESAGÜE	CORTE	CARGA TOTAL SOBRE EL PISO	CAPACIDAD	PESO	FALDÓN Y MONTAJE	CALENTADOR LISTO PARA LA INSTALACION
ESPREE 6060	60" (1524 mm) L 60" (1524 mm) L 22" (559 mm) H	18-1/2" (470 mm) A 12-1/4" (311 mm) B	Vea Página 4	888 lb (404 kg) / 36 lb/pies² (176 kg/m²)	68 Min U.S. gal (257 litros) / 89 Max U.S. gal (336 litros)	122 lb (55 kg)	No Disponible	La fábrica instala (S750000 juego para el calentador)
ESPREE 6060 CON FALDÓN INTEGRADO	60" (1524 mm) L 60" (1524 mm) L 22" (559 mm) H	18-1/2" (470 mm) A 12-1/4" (311 mm) B	NA	888 lb (404 kg) / 36 lb/pies² (176 kg/m²)	68 Min U.S. gal (257 litros) / 89 Max U.S. gal (336 litros)	122 lb (55 kg)	Integrado	La fábrica instala (U395000 juego para el calentador)

ESPECIFICACIONES (de esquina)



BAÑERAS DE ESQUINA

ESPECIFICACIONES

# ESPECIFICACIONES

**IMPORTANTE: Lea las instrucciones antes de iniciar la instalación.**

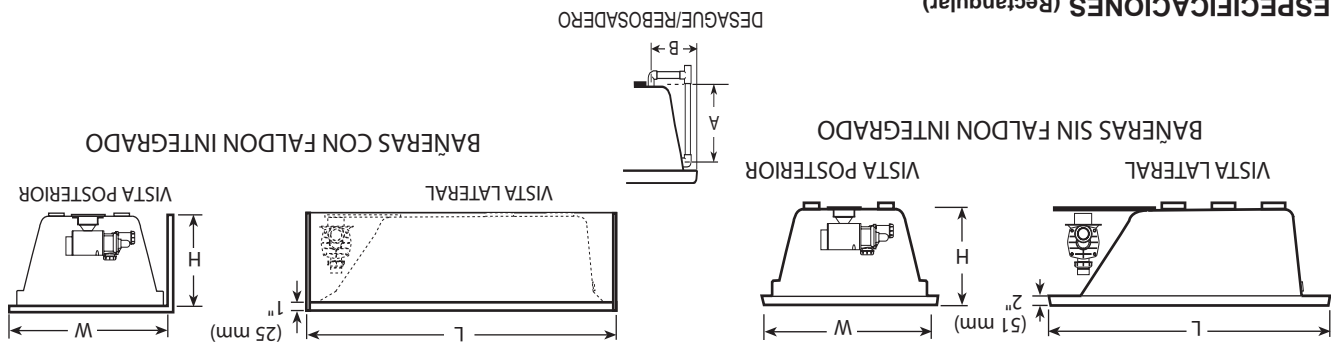
Las bañeras de hidromasaje Whirlpool se entregan listas para instalarse y completamente equipadas con motor, bomba, accesorios de plomería y mecanismos necesarios para el hidromasaje. La instalación del equipo de desagüe y rebosadero es opcional.

Saque la bañera de su caja; consérvela hasta haber revisado completamente el producto. **Nunca levante la bañera sujetándola por los accesorios de plomería, levántela por el casco.**

Inspeccione el casco de la bañera en cuanto la reciba. En caso de que detecte algún daño o desperfecto en el terminado, no la instale. La garantía no cubre daños o desperfectos reclamados después de la instalación. La responsabilidad de Jacuzzi Whirlpool Bath, por daños de embarque, termina al entregar los productos en buen estado al distribuidor. Presente sus reclamos por daños al distribuidor. Para mayor información sobre la cobertura de la garantía, consulte la garantía publicada en el empaque del producto.

El funcionamiento de las bañeras y el buen estado de las conexiones han sido probados en fábrica antes del embarque. **NOTA: Antes de la instalación, llene la bañera con agua y enciéndala para verificar que no presenta fugas provocadas durante el embarque o por mal manejo.** Jacuzzi Whirlpool Bath no se hace responsable por desperfectos que pudieran haberse descubierto, reparado o evitado de haberse seguido este procedimiento de inspección y verificación.

## BAÑERAS RECTANGULARES



## ESPECIFICACIONES (Rectangular)

MODELO	MEDIDAS		MEDIDAS DEL REBOSADERO/DESAGÜE		CORTE	CARGA TOTAL SOBRE EL PISO	CAPACIDAD	PESO	FALDON Y MONTAJE PARA LA INSTALACION	CALENTADOR LISTO
ESPREE 542**	60"	42"	16-7/8"	15-5/8"	58" X 40"	936 lb (429 mm) A 1473 mm X 1016 mm B	58 Min U.S. gal (219 litros) 66 Max U.S. gal (250 litros)	128 lb (58 kg)	No Disponible	SI
ESPREE 6032	60"	32"	18-1/16"	10-1/4"	Vea Pagina 4	785 lb (357 kg) A 591 lb/pies² (357 kg/m²) B	50 Min U.S. gal (189 litros) 58 Max U.S. gal (220 litros)	102 lb (46 kg)	No Disponible	SI
ESPREE 6032 CON FALDON INTEGRADO	60"	32"	16-7/8"	10-1/3/16"	NA	785 lb (357 kg) A 591 lb/pies² (357 kg/m²) B	50 Min U.S. gal (189 litros) 58 Max U.S. gal (220 litros)	113 lb (51 kg)	Integrado	SI
ESPREE 6036	60"	36"	16-7/8"	15-5/8"	58" X 34"	825 lb (429 mm) A 1473 mm X 863 mm B	50 Min U.S. gal (189 litros) 61 Max U.S. gal (231 litros)	117 lb (53 kg)	No Disponible	SI
ESPREE 6042	60"	42"	16-7/8"	15-5/8"	58" X 40"	936 lb (429 mm) A 1473 mm X 1016 mm B	60 Min U.S. gal (227 litros) 68 Max U.S. gal (257 litros)	127 lb (58 kg)	No Disponible	SI
ESPREE 6042 CON FALDON INTEGRADO	60"	42"	16-7/8"	10-1/3/16"	NA	893 lb (429 mm) A 51 lb/pies² (403 kg/m²) B	60 Min U.S. gal (227 litros) 68 Max U.S. gal (257 litros)	127 lb (57 kg)	Integrado	SI
ESPREE 7236	36"	72"	16-7/8"	15-5/8"	70" X 34"	911 lb (414 kg) A 249 kg/m² (1778 mm X 863 mm) B	64 Min U.S. gal (242 litros) 73 Max U.S. gal (276 litros)	120 lb (55 kg)	No Disponible	SI
ESPREE 7242	42"	72"	16-7/8"	15-5/8"	70" X 40"	886 lb (403 kg) A 42 lb/pies² (205 kg/m²) B	74 Min U.S. gal (280 litros) 89 Max U.S. gal (336 litros)	120 lb (55 kg)	No Disponible	SI

\*Añada 1/4 pulg. a esta medida H instalar en nichos con tres muros.

**NOTA: Las dimensiones en general son nominales con una tolerancia de +0 y -1/4 pulg. (+0 y -6.3 mm).**

**PARA TODAS LAS UNIDADES:** Requisitos eléctricos del servicio: Todas requieren un protector de circuito independiente tipo GFCI.

**RapidHeat™** Calentamiento rápido: 120 VAC, 15 AMP, 60 Hz. Protector de circuito independiente tipo GFCI.

Motor/Bomba: 120 VAC, 15 AMP, 60 Hz Protector de circuito independiente tipo GFCI.

\*\*120 VAC, 20 AMP, 60HZ. \*120 VAC, 20 AMP, 60HZ.



## TABLA DE CONTENIDO

1-2	Especificaciones
3-4	Diagramas de instalaciones
5-8	Instrucciones de instalación
5	Estructura y soporte
6	Acceso de servicio
7	Conexiones eléctricas
8	Información sobre el desague
9-10	Funcionamiento
11	Mantenimiento
12	Guía general de reparación de averías en lasbañeras de hidromasaje
13	Servicios autorizados
14-18	Piezas de repuestos
14	1 Posición de control aéreo y BMH chorro
15	2 Posición de control (Aire & bomba/motor, encendido/apagado)
16	HTC Boquilla y ensamblaje de succión
16	Ensamblaje de las boquillas de salida de agua para Masajes en la parte posterior
17	3 Posición de control
18	Ensamblaje del motor/ bombeo, calentador RapidHeat™, equipo para reparar las uniones, Interruptor activado por aire y tensor de descarga
19-20	Garantía

## Conserve estas instrucciones para uso futuro.

### Registro del propietario

Fecha de compra	_____
Comprado a	_____
Instalado por	_____
Número de serie	_____
Número de modelo	_____

NOTA: Para obtener referencia de un agente de servicio de servicio en su área llame al: 800-288-4002. Usted puede visitar también nuestro sitio Web en <http://www.jacuzzi.com/>. Para encontrar la lista de agente de servicio, haga clic en [For The Trade](#). Luego haga clic en [Electrical/Mechanical Service Agents](#). Dependiendo del problema haga clic en [Electrical/Mechanical Repairs](#), o en [Finish, Surface o en Shell-Related Problems o en Repair Parts or Accessories](#) para obtener una lista de agentes autorizados, de los contratistas, o de los distribuidores.



**ADDENDUM**

Las instrucciones de la seguridad Cambian

# INSTRUCCIONES IMPORTANTES SEGURIDAD LEA Y SIQUE TODAS LAS INSTRUCCIONES GUARDE ESTAS INSTRUCCIONES

INSTRUCCIONES que PERTENECEN A UN RIESGO DE FUEGO, DE CALAMBRE,  
O DE LA HERIDA A PERSONAS

**ADVERTENCIA** — CUANDO SE USA ESTA UNIDAD, LAS PRECAUCIONES BÁSICAS SIEMPRE SE DEBEN SEGUIR, INCLUSIVE LO SIGUIENTE:

**PELIGRO:** PARA REDUCIR EL RIESGO DE LA HERIDA, NO PERMITE QUE NIÑOS UTILICEN ESTA UNIDAD A MENOS QUE ELLOS SEAN SUPERVISADOS DE CERCA SIEMPRE.

**ADVERTENCIA** — UTILIZA ESTA UNIDAD PARA SU USO DESTINADO DESCRIBIO COMO EN ESTE MANUAL. NO UTILICE LAS FIJACIONES NO RECOMENDADO POR LOS FABRICANTES.

**ADVERTENCIA** — NUNCA DEJE CAER O METE CUALQUIER OBJETO EN ALGUNA APERTURA.

**ADVERTENCIA** — NO OPERE ESTA UNIDAD SIN EL GUARDIA SOBRE LA SUCCIÓN QUE QUEDA.

**ADVERTENCIA** — ESTA UNIDAD DEBE SER CONECTADA SÓLO A UN CIRCUITO DEL SUMINISTRO QUE ES PROTEGIDO POR UN INTERRUPTOR (GFCI) DE CIRCUITO DE DEFECTO DE SUELO. TAL

GFCI DEBE SER PROPORCIONADO POR EL INSTALADOR Y DEBE SER PRUBADO EN UNA BASE RUTINARIA. PARA PROBAR EL GFCI, EMPUJE EL BOTÓN DE LA PRUEBA. EL GFCI DEBE

INTERRUMPIR EL PODER. EMPUJE EL BOTÓN. EL PODER SE DEBE RESTAURAR. SI EL GFCI FALLA DE OPERAR EN ESTA MANERA, EL GFCI ES DEFECTUOSO. SI EL GFCI INTERRUMPE

EL PODER A LA BAÑERA SIN EL BOTÓN DE LA PRUEBA PARA SE EMPUJAR, UNA CORRIENTE DEL SUELO QUE FLUYE, INDICANDO UNA POSIBILIDAD DE UN CALAMBRE. NO UTILICE ESTA BAÑERA

DE HYDROMASSAGE. DESCONECTE LA BAÑERA DE HYDROMASSAGE Y TENGA EL PROBLEMA CORREGIDO POR UN REPRESENTANTE CALIFICADO DEL SERVICIO ANTES DE UTILIZAR.

**ADVERTENCIA** — (UNIDADES DE CONEXIÓN PERMANENTE) ESTAS UNIDADES CUENTAN CON UN TERMINAL VERDE (O UN CONECTOR DE CABLE MARCADO CON "G", "GR", "GROUND" O "GROUNDING") DENTRO DEL COMPARTIMIENTO DE TERMINALES. PARA REDUCIR EL RIESGO

DE DESCARGA ELÉCTRICA, CONECTE EL TERMINAL O EL CONECTOR AL TERMINAL DE TIERRA DEL SERVICIO ELÉCTRICO O DEL TABLERO DE ALIMENTACIÓN CON UN CONDUCTOR DEL MISMO

TAMAÑO DE LOS CONDUCTORES DEL CIRCUITO QUE SUMINISTRAN ESTE EQUIPO.

## OPERAR INSTRUCCIONES

**ADVERTENCIA** — LA INMERSIÓN PROLONGADA EN EL AGUA CALIENTE PUEDE INDUCIR HIPERTERMIA. LA HIPERTERMIA OCURRE CUANDO LA TEMPERATURA INTERNA DEL CUERPO ALCANZA UN PLANOS VARIOS GRADOS ENCIMA DE LA TEMPERATURA CORPORAL NORMAL DE 98.6°F. LOS SÍNTOMAS DE HIPERTERMIA INCLUYEN EL AUMENTO DE UN EN LA TEMPERATURA INTERNA DEL CUERPO, EL MAREO, EL LETARGO, SOMNOLENCIA Y DESMAYAR. LOS EFECTOS DE HIPERTERMIA INCLUYEN:

A) EL FRACASO PARA PERCIBIR EL CALOR,  
B) EL FRACASO PARA RECONOCER LA NECESIDAD DE SALIR EL BALNEARIO O LA JACUZZI,

C) DESCONOCIMIENTO DEL PELIGRO INMINENTE,  
D) EL DAÑO FETAL EN MUJERES ENCINTAS,

E) LA INCAPACIDAD FÍSICA SALIR EL BALNEARIO O EL JACUZZI, Y  
F) LA INCONSCIENCIA QUE TIENE COMO RESULTADO EL PELIGRO DE AHOGAR.

**ADVERTENCIA** — EL USO DE ALCOHOL, LAS DROGAS O LA MEDICINA PUEDEN AUMENTAR MUCHO EL RIESGO DE HIPERTERMIA FATAL.

**ADVERTENCIA** — NO MANIPULE CON CONTROLES USUARIO-OPERADOS NI TALES DISPOSITIVOS.



Printed on Recycled Paper

©2005 Jacuzzi Whirlpool Bath DA38000A 06/05

Printed in the U.S.A.

# INSTRUCCIONES

**ADVERTENCIA** — LOS PRODUCTOS CUANDO SE USA ELECTRICOS, LAS PRECAUCIONES BÁSICAS SIEMPRE SE DEBEN SEGUIR, INCLUSIVE LO SIGUIENTE:

**PELIGRO** — EL RIESGO DE CALAMBRE. CONECTA SOLO A UN CIRCUITO PROTEGIDO POR UN INTERRUPTOR (GFCI) DE CIRCUITO DE DEFECTO DE SUELO.

**PRECAUCIÓN** — PRUEBA EL INTERRUPTOR DE DEFECTO DE SUELO QUE PROTEGE ESTE APARATO PERIODICAMENTE DE ACUERDO CON LAS INSTRUCCIONES DEL FABRICANTE.

**ADVERTENCIA** — UTILIZA ESTA UNIDAD SOLO PARA SU USO DESTINADO DESCRIBO COMO EN ESTE MANUAL. NO UTILICE LAS FIJACIONES NO RECOMENDADO POR LOS FABRICANTES.

**ADVERTENCIA** — PARA EVITAR LESIONES, TENGA CUIDADO AL ENTRAR Y SALIR DE LA TINA DE HIDROMASAJE.

**ADVERTENCIA** — MANTENGA EL CUERPO Y EL CABELLO A UNA DISTANCIA MÍNIMA DE 6 PULG. (15 CM) DEL ACCESORIO DE SUCCIÓN MIENTRAS EL SISTEMA DE HIDROMASAJE ESTÉ EN FUNCIONAMIENTO. SI EL LARGO DEL CABELLO EXCEDE LOS HOMBROS, SE LO DEBE SUJETAR CERCA DE LA CABEZA.

**ADVERTENCIA** — RIESGO DE DESCARGA ELÉCTRICA. NO UTILICE ELECTRODOMÉSTICOS, COMO SECADORES DE CABELLO, LÁMPARAS, TELÉFONOS, RADIOS O TELEVISORES, EN UN RADIO DE 60 PULG. (1,5 M) DE LA TINA DE HIDROMASAJE.

**ADVERTENCIA** — EL RIESGO DE LA HERIDA ACCIDENTAL O AHOGÁNDOSE; NO UTILICE LAS DROGAS O EL ALCOHOL ANTES O DURANTE EL USO DE BAÑERA DE HYDROMASSAGE EQUIPADA CON UNA CALENTADORA PARA EVITAR LA INCONSCIENCIA Y AHOGAR POSIBLE.

**ADVERTENCIA** — RIESGO DE LESIÓN FETAL. LAS MUJERES EMBARAZADAS O QUE PUEDAN ESTARLO DEBEN CONSULTAR A UN MÉDICO ANTES DE UTILIZAR UNA TINA DE HIDROMASAJE CON CALENTADOR.

**ADVERTENCIA** — RIESGO DE HIPERTERMIA Y POSIBILIDAD DE AHOGARSE. NO UTILICE UNA TINA DE HIDROMASAJE CON CALENTADOR INMEDIATAMENTE DESPUÉS DE HACER EJERCICIOS INTENSOS.

**ADVERTENCIA** — RIESGO DE HIPERTERMIA Y POSIBILIDAD DE AHOGARSE. LA TEMPERATURA DEL AGUA QUE SUPERE LOS 104°F (40°C) PUEDE SER PERJUDICIAL PARA LA SALUD. CONTROLE Y REGULE LA TEMPERATURA DEL AGUA ANTES DE UTILIZAR LA TINA.

**ADVERTENCIA** — RIESGO DE HIPERTERMIA. LAS PERSONAS QUE TOMEN MEDICAMENTOS O QUE TENGAN UNA HISTORIA CLÍNICA PROBLEMÁTICA DEBEN CONSULTAR A UN MÉDICO ANTES DE UTILIZAR UNA TINA DE HIDROMASAJE CON CALENTADOR.

PARA INCORPORADO Y LAS UNIDADES DE GOTA-EN, INSTALAN PARA PERMITIR EL ACCESO PARA ATENDER A.

ESTA UNIDAD SE DEBE MOLER ELÉCTRICAMENTE Y DEBE SER INSTALADA POR UN CONTRATISTA LICENCIADO, POR EL ELECTRICISTA, Y POR EL PLOMERO.

LAS MATERIAS DEL EDIFICIO Y EL ALAMBRAO SE DEBEN DIRIGIR LEJOS DE LA MOTRIZ/BOMBA O FUELE U OTRO CALOR QUE PRODUCE LOS COMPONENTES DE ESTA UNIDAD.

EL MOTOR Y EL CALENTADOR TIENEN EN SU PARTE EXTERIOR UN CONECTOR DE CABLE A PRESIÓN PARA PERMITIR LA CONEXIÓN DE UN CONDUCTOR DE UNIÓN SÓLIDO DE COBRE #8 AWG (8,4 MM) ENTRE ESTA UNIDAD Y EL RESTO DE LOS EQUIPOS ELÉCTRICOS Y METALES EXPUESTOS CERCANOS, A FIN DE CUMPLIR CON LAS NORMAS LOCALES.

## PRECAUCIONES

• Ponga en funcionamiento el sistema de hidromasaje sólo cuando la tina tenga un nivel de agua que supere en 1 pulga (2,5 cm) como mínimo a la boquilla de aire más alta.

• No llene en exceso la tina para evitar que el panel de control quede sumergido.

• No utilice aditivos para baño a base de aceites en la tina de hidromasaje.

• No utilice sustancias abrasivas para limpiar la tina, ya que pueden arruinar la superficie.

• Para evitar la decoloración del acabado acrílico, no llene la tina con agua a más de 140°F (60°C).

**NOTA:** Este producto debe ser instalado por profesionales. Es necesario contar con conocimientos de técnicas de construcción, instalaciones eléctricas y plomería de acuerdo con las normas para lograr una instalación adecuada y la satisfacción del usuario. Recomendamos que la instalación de todos los productos Jacuzzi Whirlpool Bath® esté a cargo de un contratista matriculado. Nuestra garantía no cubre problemas relacionados con instalaciones defectuosas.

**LAS ESPECIFICACIONES DE LOS PRODUCTOS ESTÁN SUJETAS A CAMBIOS SIN AVISO. UTILICE LAS INSTRUCCIONES DE INSTALACIÓN ENTREGADAS CON EL PRODUCTO.**

La empresa ha obtenido los listados de los códigos aplicables (normas) que suelen estar disponibles a nivel nacional para productos de este tipo. Es responsabilidad del instalador o propietario determinar el cumplimiento de las normas locales específicas antes de instalar el producto. La empresa no realiza manifestaciones ni ofrece garantías con respecto al cumplimiento de ninguna norma, ni será responsable de dicho cumplimiento.



**PRECAUCIONES**

- No active el sistema hidrotérapéutico a menos que el nivel del agua llegue 2 pulg. (5 cm) arriba del chorro más alto.
- Nunca deje caer o inserte ningún objeto en las aperturas.
- No use aditivos de baño a base de aceite en la bañera de hidromasaje.
- Para limpiar la bañera de hidromasaje no use sustancias abrasivas que puedan dañar la superficie.
- Para evitar la decoloración del terminado acrílico, cuide que la temperatura del agua no pase de 140°F (60°C).
- Es necesario purgar el sistema hidrotérapéutico por lo menos dos veces al mes. Para su conveniencia, hemos desarrollado un sistema de depuración de plomería (Systems Clean™) específicamente para las bañeras de hidromasaje. Para averiguar sobre su disponibilidad llame al teléfono: 1-800-288-4002.
- Dé a la unidad el uso previsto y siga las instrucciones descritas en este manual. Sólo utilice los accesorios recomendados por el fabricante.
- Esta unidad debe conectarse solamente al circuito protegido con un interruptor de pérdida a tierra (GFCI de sus siglas en inglés). Dicho interruptor debería ser provisto por el instalador y ser revisado de manera rutinaria. Para examinar el interruptor GFCI, presione el botón de prueba. El interruptor (GFCI) debería interrumpir el paso de corriente. Luego presione el botón de reinicio. Para entonces, la corriente debe haberse restablecido. Si el interruptor GFCI falla, al operarse de la manera indicada, es porque existe corriente haciendo tierra, indicando una posibilidad de descarga eléctrica. De ser así, no use esta unidad. Desconecte la unidad y encargue el arreglo del problema a un electricista calificado antes de usarlo.
- En la parte externa del motor se encuentra un conector de cables a presión que permite la conexión de un conductor de cobre No. 8AWG (8.4 mm) entre la unidad y el equipo eléctrico y los metales cercanos expuestos, esto, a fin de cumplir con las normas de instalación requeridas.
- Esta unidad debe ser instalada por un electricista y un plomero autorizado.
- Para unidades instaladas como parte de la estructura, instale de manera que permita acceso para el mantenimiento.

**NOTA:** Este es un producto de calidad profesional. Para una instalación apropiada y la satisfacción del usuario, se requiere de un conocimiento de acuerdo a los códigos en las técnicas de construcción, plomería y electricidad. Recomendamos que un contratista calificado efectúe la instalación de todos los productos del Jacuzzi Whirlpool Bath. Nuestra garantía no cubre los problemas que resulten de una instalación inadecuada.



**PRECAUCION:** EXAMINE, PERIODICAMENTE, INTERRUPTOR DE CIRCUITO CON PÉRDIDA A TIERRA QUE PROTEGE ESTE APARATO DE ACUERDO A LAS INSTRUCCIONES DE FABRICACION.

**ADVERTENCIA:** RIESGO DE LESIONARSE O AHOGARSE ACCIDENTALMENTE; LOS NIÑOS NO DEBERIAN USAR LA BAÑERA DE HIDROMASAJE SIN LA SUPERVISION DE UN ADULTO.

**ADVERTENCIA:** PARA EVITAR LESIONARSE, OBRE CON PRUDENCIA CUANDO ENTRE O SALGA DE LA BAÑERA DE HIDROMASAJE.

**ADVERTENCIA:** RIESGO DE LESIONARSE O AHOGARSE ACCIDENTALMENTE; PARA PREVENIR QUE EL CUERPO Y/O EL CABELLO SE ATOREN NO USE LA BAÑERA DE HIDROMASAJE HASTA QUE TODOS LOS SEGUROS DE SUCCION ESTEN INSTALADOS.

**ADVERTENCIA:** CUANDO ESTE FUNCIONANDO EL SISTEMA, MANTENGA EL CUERPO Y EL CABELLO A UNA DISTANCIA MINIMA DE 6 PULG. (15 CM) DEL MECANISMO DE SUCCION, ESTO PARA EVITAR DAÑO FISICO QUE RESULTE EN EL ENTRAMPAMIENTO DEL CUERPO O DEL CABELLO. SI EL LARGO DEL CABELLO ESTA POR DEBAJO DE LOS HOMBROS DEBERA LLEVARSE RECOGIDO.

**ADVERTENCIA:** NUNCA INTRODUZA O DEJE CAER NINGUN OBJETO EN LAS ABERTURAS.

**ADVERTENCIA:** RIESGO DE DESCARGA ELECTRICA; NO PERMITA QUE LOS APARATOS ELECTRICOS (COMO SECADOR DE CABELLO, LAMPARA, TELEFONO, RADIO O TELEVISION) ESTEN A UNA DISTANCIA DE 60 PULG. (1,5 M) A LA BAÑERA DE HIDROMASAJE.

**ADVERTENCIA:** RIESGO DE LESIONARSE O AHOGARSE ACCIDENTALMENTE; PARA EVITAR QUEDAR SIN CONOCIMIENTO Y AHOGARSE NO CONSUMA DROGAS O BEBA ALCOHOL ANTES O DURANTE EL USO DE LA BAÑERA DE HIDROMASAJE EQUIPADA CON CALENTADOR.

**ADVERTENCIA:** RIESGO DE LESION FETAL; LAS MUJERES EMBARAZADAS O CON POSIBILIDAD DE EMBARAZO DEBERIAN CONSULTAR CON UN MEDICO ANTES DE USAR UNA BAÑERA DE HIDROMASAJE EQUIPADA CON CALENTADOR.

**ADVERTENCIA:** RIESGO DE HIPERTERMIA Y POSIBLE AHOGAMIENTO; NO USE LA BAÑERA DE HIDROMASAJE EQUIPADA CON CALENTADOR INMEDIATAMENTE DESPUES DE HABER EFECTUADO EJERCICIOS INTENSOS.

**ADVERTENCIA:** RIESGO DE HIPERTERMIA Y POSIBLE AHOGAMIENTO; LA TEMPERATURA DEL AGUA DE MAS DE 104°F (40°C) PUEDE CAUSAR DAÑO A SU SALUD. REVISE Y AJUSTE LA TEMPERATURA DEL AGUA ANTES DE USAR LA BAÑERA.

**ADVERTENCIA:** RIESGO DE HIPERTERMIA; LAS PERSONAS QUE TOMAN MEDICAMENTOS Y/O TIENEN ANTECEDENTES MEDICOS ADVERSOS, DEBERIAN CONSULTAR CON UN MEDICO ANTES DE USAR LA BAÑERA DE HIDROMASAJE EQUIPADA CON CALENTADOR.

PARA REDUCIR EL RIESGO DE DESCARGA ELECTRICA SE PROPORCIONA UN EQUIPO CON TERMINAL DE TIERRA LOCALIZADO EN EL COMPARTIMIENTO DE ALAMBRAO DE CAMPO. ESTE TERMINAL DEBE SER CONECTADO A UN MECANISMO DE TIERRA PROPORCIONADO EN EL PANEL ELECTRICO, CON UN CONECTOR EQUIVALENTE, EN TAMAÑO A LOS CONECTORES DEL CIRCUITO QUE SUMINISTRAN ESTE EQUIPO.

# INSTRUCCIONES IMPORTANTES DE SEGURIDAD

## LEA Y SIGA TODAS LAS INSTRUCCIONES

## GUARDE ESTAS INSTRUCCIONES

Instalador: Deje este manual al propietario.  
Proprietario: Lea este manual y guárdelo para referencia en el futuro.

## MANUAL DE INSTALACION Y OPERACION

*Espree™ Series*



## Free Manuals Download Website

<http://myh66.com>

<http://usermanuals.us>

<http://www.somanuals.com>

<http://www.4manuals.cc>

<http://www.manual-lib.com>

<http://www.404manual.com>

<http://www.luxmanual.com>

<http://aubethermostatmanual.com>

Golf course search by state

<http://golfingnear.com>

Email search by domain

<http://emailbydomain.com>

Auto manuals search

<http://auto.somanuals.com>

TV manuals search

<http://tv.somanuals.com>