

## gallery™ 6 oval undermount whirlpool bath

*like its namesake, the gallery™ whirlpool bath is a place of reverence—a haven suited for quiet reflection.*



The Gallery™ whirlpool bath is a work of art—a clean, stylish oval of relaxation, ideal for quiet contemplation.

features:

- 4 fully adjustable TheraPro® jets
- 2 directionally adjustable AccuPro™ foot jets
- 1 directionally adjustable AccuPro™ lumbar jet
- Installation flexibility.  
Can be undermounted or dropped in.
- Sculpted armrest
- Contoured backrest
- Energy-efficient, self-draining pump
- Patented Fixed Air Flow System
- Slip-resistant bottom
- Exclusive Tru-Level™ self-leveling base system
- Drain included

### gallery™ 6 oval undermount whirlpool bath

model number: X315 – LH, X320 – RH

exterior dimensions:

72" long x 42" wide x 20½" high

interior dimensions (at bottom):

50" long x 28" wide

# of Jets/type of Jets:

4 TheraPro® Jets,

1 AccuPro™ Lumbar Jet,

2 Directionally Adjustable AccuPro™  
Foot Jets

operating gallons:

62 gallons





# Gallery™ 6 Oval Undermount Whirlpool Bath

Model: X315, X320

## Ordering Information

Product Code:

- X315 Gallery™ 6 Oval Undermount Whirlpool Bath Left Hand
- X320 Gallery™ 6 Oval Undermount Whirlpool Bath Right Hand

- Right and Left Hand Drain Location
- Accessories / Hardware:
  - TheraPro™ Jet Rings Kit #D095
  - AccuPro™ Jet Rings Kit #P556
  - Trip-Lever Drain Kit: #X559
  - Rotary Drain Kit, 26" Cable: #8730
- Trim Kit Finishes Available:
  - (827) - Chrome
  - (898) - Brushed Chrome
  - (815) - Satin Nickel
  - (829) - Bright Brass
  - (805) - Platinum
  - (826) - Brushed Nickel
  - (845) - Oil Rubbed Bronze

## Installation Notes

Refer to installation instructions included with fixture before beginning installation. Please confirm product availability and specifications before commencing with any installation work.

PRODUCT SPECIFICATIONS AND AVAILABILITY ARE SUBJECT TO CHANGE WITHOUT NOTICE.

## Technical Specifications

### Dimensions

72" L x 42" W x 20-1/2" H  
(1829 mm) L x (1067 mm) W x (521 mm) H

### Drain/Overflow

A: 16" (406 mm) B: 11-1/2" (292 mm)

### Cutout

Template Provided: P/N X302000

### Total Weight

871 lb (395 kg) / 42 lb/sq. ft. (203 kg/m<sup>2</sup>)

### Operating Gallonage

62 U.S. Gal. (235 Liters)

### Product Weight

105 lb (48 kg)

### Skirt Mounting

Not Available

### Electrical Specifications

Requires a dedicated GFCI protected separate circuit.

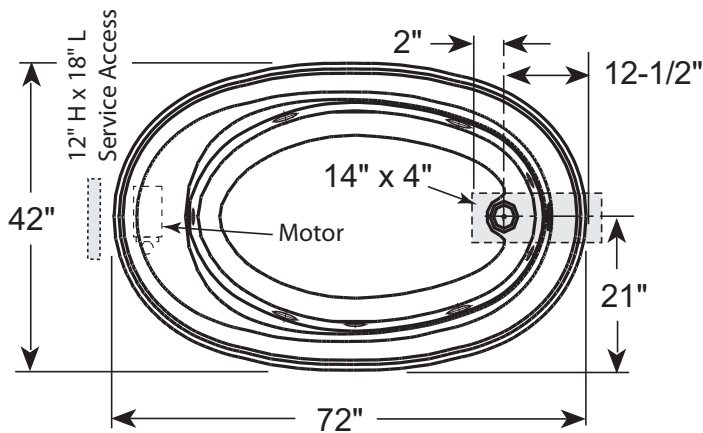
Motor/Pump: 120 VAC, 15 AMP, 60 Hz.

RapidHeat™: 120 VAC, 15 AMP, 60 Hz.

### Heater (Optional)

Requires a dedicated GFCI protected separate circuit.

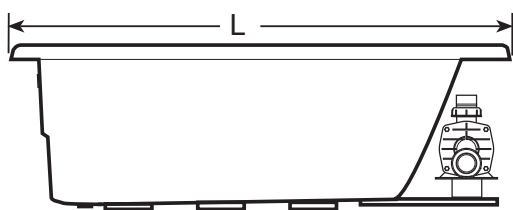
RapidHeat™: P/N S750000



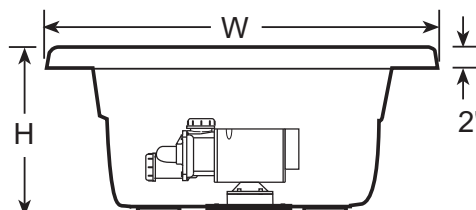
Product Shown: Gallery™ 6 Oval Undermount Whirlpool Bath Right Hand Shown Model: X320

\* Measurements inside unit represent cutout in floor to allow for drain/overflow.

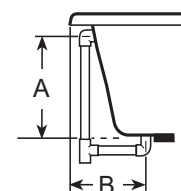
Minimum Service Access dimensions given.



SIDE VIEW



END VIEW



DRAIN/OVERFLOW

## Free Manuals Download Website

<http://myh66.com>

<http://usermanuals.us>

<http://www.somanuals.com>

<http://www.4manuals.cc>

<http://www.manual-lib.com>

<http://www.404manual.com>

<http://www.luxmanual.com>

<http://aubethermostatmanual.com>

Golf course search by state

<http://golfingnear.com>

Email search by domain

<http://emailbydomain.com>

Auto manuals search

<http://auto.somanuals.com>

TV manuals search

<http://tv.somanuals.com>