



In literary terms, an allusion is a reference, a hint. In the Allusion® air bath, you'll discover much more than the mere suggestion of luxury. With clean, contemporary, minimalist lines, the Allusion® family of products makes a striking statement — one that speaks to more than a hint of style.

FEATURES:

- Exclusive 360° Balanced Air Flow™ system
- 800 watt heated air blower
- Thermal lumbar comfort™ (TLC)
- Safely use salts and aromatic oils
- Drain-assist purge system
- All-in-one electronic control panel
- PrO₃™ Ozone Sanitation System standard

Detail: The Allusion® Pure Air® II bath's contemporary form is pure sculpture. The exclusive Jacuzzi® TLC system delivers pure rejuvenation.

**Allusion® 6636
PURE AIR® II BATH**

MODEL NUMBER:
Y800

EXTERIOR DIMENSIONS:
66" long x 36" wide x
26" high

OPERATING GALLONS:
57 gallons



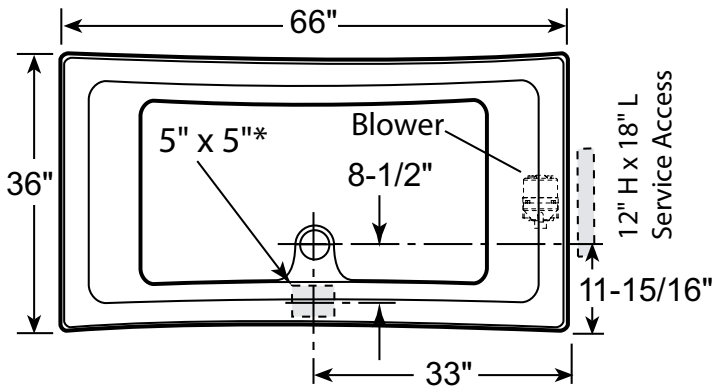


Allusion® 6636 PURE AIR® II BATH

Y800

Allusion® 6636 Pure Air® II Bath, Right Hand
(Includes a required drain/actuator kit in chrome)

- Left and Right Drain Location
- Accessories / Hardware:
4 X HTC Jet Rings Kit: #D095
- Trim Kit Finishes Available:
(827) – Chrome
(898) – Brushed Chrome
(815) – Satin Nickel
(829) – Bright Brass
(805) – Platinum
(826) – Brushed Nickel
(845) – Oil Rubbed Bronze



Product Shown: Allusion® 6636 Pure Air® II Bath Right Hand (Y800) Shown.

* Measurements inside unit represent cutout in floor to allow for drain/overflow.

Minimum Service Access dimensions given.

INSTALLATION NOTES

Refer to installation instructions included with fixture before beginning installation. Please confirm product availability and specifications before commencing with any installation work.

PRODUCT SPECIFICATIONS AND AVAILABILITY ARE SUBJECT TO CHANGE WITHOUT NOTICE.

Technical Specifications

DIMENSIONS

66" L x 36" W x 26" H
(1829 mm) L x (914 mm) W x (660 mm) H

DRAIN/OVERFLOW

A: 17-3/8" (441 mm) B: 11-15/16" (210 mm)

CUTOUT

Template provided Part Number BY20000

TOTAL WEIGHT

681 lb (309 kg) / 42 lb/sq. ft. (206 kg/m²)

OPERATING GALLONAGE

57 U.S. Gal. (216 Liters)
Min. 40 U.S. Gal. (151 Liters)
Max. 75 U.S. Gal. (284 liters)

PRODUCT WEIGHT

124 lb (56 kg)

SKIRT MOUNTING

Not Available

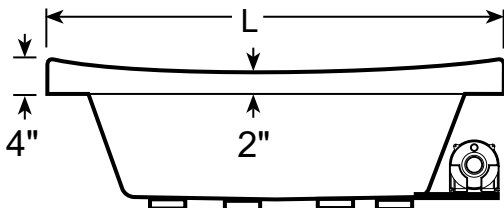
ELECTRICAL SPECIFICATIONS

Requires a dedicated GFCI protected separate circuit.

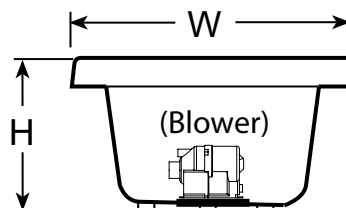
Blower: 120 VAC, 15 AMP, 60 Hz.

HEATER

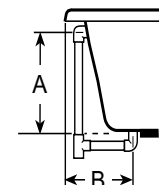
No water heater is available on this unit. Blower has integral air heater.



SIDE VIEW



END VIEW



DRAIN/OVERFLOW

Free Manuals Download Website

<http://myh66.com>

<http://usermanuals.us>

<http://www.somanuals.com>

<http://www.4manuals.cc>

<http://www.manual-lib.com>

<http://www.404manual.com>

<http://www.luxmanual.com>

<http://aubethermostatmanual.com>

Golf course search by state

<http://golfingnear.com>

Email search by domain

<http://emailbydomain.com>

Auto manuals search

<http://auto.somanuals.com>

TV manuals search

<http://tv.somanuals.com>