

## era™ elongated PerfectHeight™ complete toilet set



Era™ Elongated PerfectHeight™ toilet bowl and tank with Jacuzzi® Propulsion™ Flushing System for superior waste removal and minimal clogging.

Classic and versatile, the Era™ toilet features Jacuzzi Propulsion™ Advanced Flushing System with a 3" flush valve for greater flushing power.

#### Features:

- Jacuzzi® Propulsion™ Advanced Flushing System for exceptional flushing and reliability :
  - 3" flush valve provides improved flushing power to standard 2" flush valves.
  - 2 1/8" fully glazed trapway helps reduce clogging.
  - Powerful rim jets offers better bowl cleansing.
  - Siphon jet assists in the complete removal of waste.
  - Pilot fill valve for consistent and quiet refills.
- Ergonomic, 16.5" PerfectHeight™ elongated bowl for greater comfort.
- Classic design to complement traditional to modern décor.
- Complete toilet set comes with everything you need for easy installation: Toilet, seat, wax ring kit and brass hardware.

### era™ toilet bowl and tank

model number: BK37

dimensions:

28" L x 16<sup>3</sup>/<sub>8</sub>" W x 32<sup>1</sup>/<sub>4</sub>" H

bowl height:

16<sup>1</sup>/<sub>2</sub>" PerfectHeight™

bowl:

elongated front





# Era™ Elongated Perfect Height™ Complete Toilet Set

Model: BK37

## Suite Components

- Era™ 4" Pedestal/Console Lavatory .....BK38
- Era™ 8" Pedestal/Console Lavatory .....BK39
- Era™ Pedestal .....BK40
- Era™ Metal Console Base .....BK41
- Era™ 4" Countertop Lavatory .....BK45
- Era™ 8" Countertop lavatory .....BK46
- Era™ Two piece elongated toilet set.....BK47
- Era™ One piece elongated toilet .....BM06

## Installation Notes

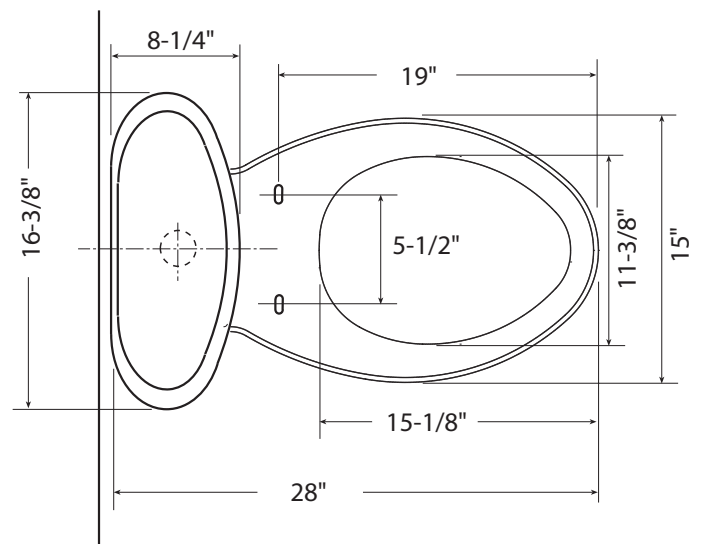
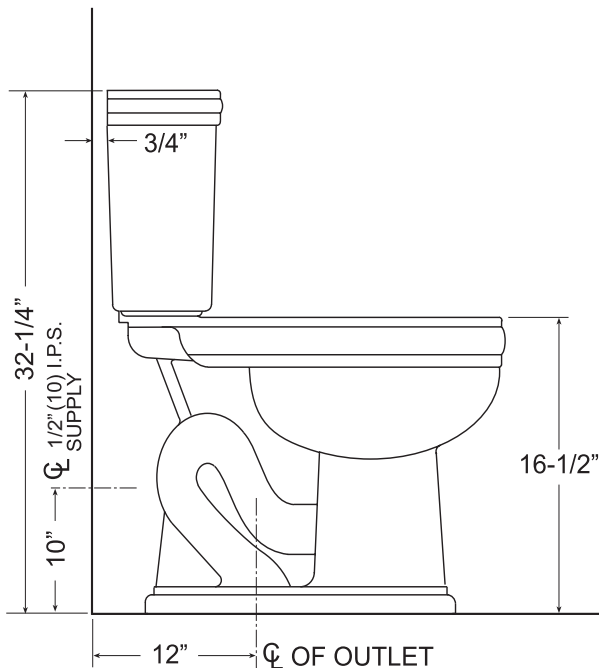
Refer to installation instructions included with fixture before beginning installation. Please confirm product availability and specifications before commencing with any installation work.

PRODUCT SPECIFICATIONS AND AVAILABILITY ARE SUBJECT TO CHANGE WITHOUT NOTICE.

## Specifications

Water Use:	1.6 GPF/6.0LPPF
Flush System:	Power Flo™
Trap Diameter:	2" Dia.
Rough In:	12" rough in
Warranty:	Five Year Limited Warranty
Overall:	28" L x 16-3/8" W x 32-1/4" H
Bowl Height:	16-1/2" Perfect Height™
Material:	Two piece vitreous china bowl and tank

Shipping Weight:	93.0 lbs - Toilet
Shipping Dimensions:	29.1 L x 17.3 W x 25.8 H - CTS



Meets the Americans with Disabilities Act Guidelines and ANSI A117.1 requirements where installed so top of seat is 17" from the finished floor.

*These dimensions and specifications are subject to change without notice.*

## Free Manuals Download Website

<http://myh66.com>

<http://usermanuals.us>

<http://www.somanuals.com>

<http://www.4manuals.cc>

<http://www.manual-lib.com>

<http://www.404manual.com>

<http://www.luxmanual.com>

<http://aubethermostatmanual.com>

Golf course search by state

<http://golfingnear.com>

Email search by domain

<http://emailbydomain.com>

Auto manuals search

<http://auto.somanuals.com>

TV manuals search

<http://tv.somanuals.com>