

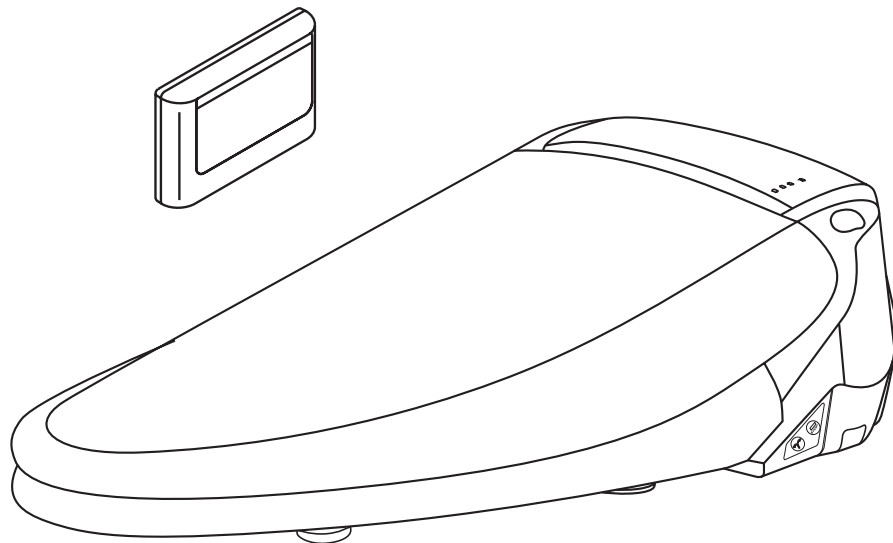
# Refresh™

PERSONAL HYGIENE SYSTEM

## Refresh Personal Hygiene System™

### OWNER'S MANUAL

Round      EU44959 — ROUND FRONT  
Elongated    EV77959 — ELONGATED FRONT



**This manual contains important safety information.  
Please read carefully before product installation or use.**



EX93000 Refresh Installation Manual 10/06



# Important Safeguards

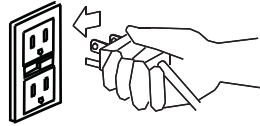


For safety reasons, please read this entire manual before installation or use.

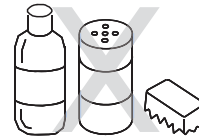
### Danger - Possibility of electric shock!

Use the correct voltage according to the specifications and connect to a three-prong GFCI grounded outlet.

NOTE: This GFCI outlet should be installed prior to performing this installation.



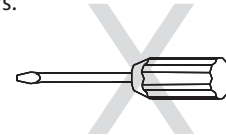
Do not use harsh brushes or abrasive detergents to clean the Refresh Personal Hygiene System™. Use only mild soap and a soft cloth for cleaning.



Please use caution and avoid spraying water directly on the Refresh Personal Hygiene System™ or power cord. This could result in electric shock or fire.



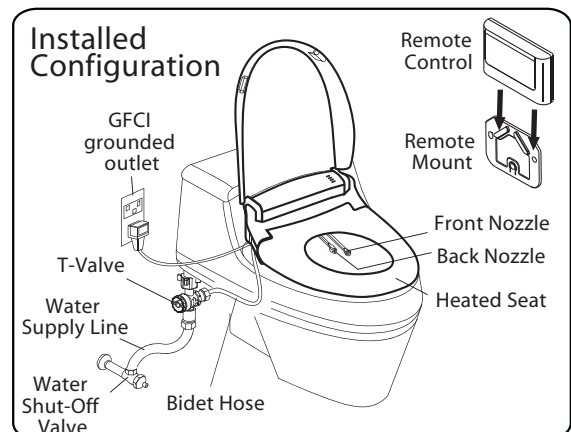
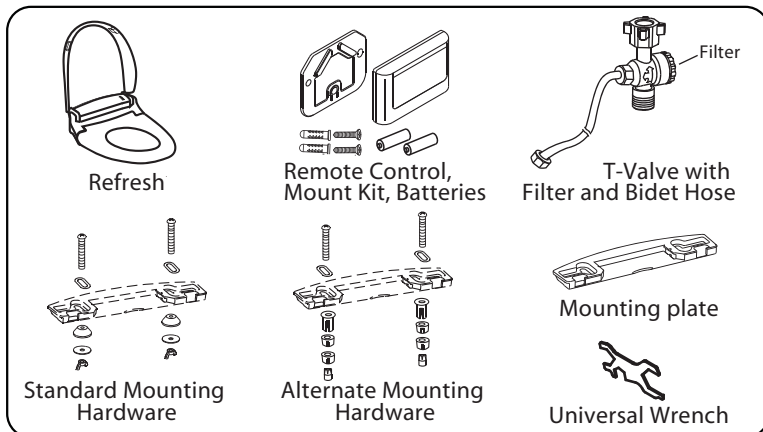
Do not disassemble or modify the Refresh Personal Hygiene System™. Only a authorized service representative should perform repairs.



## Specifications

Model	EU44959 — ROUND FRONT	EV77959 — ELONGATED FRONT
Rated Power Source	120VAC , 15 Amp GFCI (1400W)	
Tap Water Pressure	7–106 psi (0.5-7.5 kgf/cm)	
Rated Power Consumption	1.5 kwh	
Seat Temperature	OFF: room temperature LOW: 97°F (35°C) MED: 100°F (38°C) HIGH: 104°F (40°C)	
Seat & Lid	Soft Closing	
Maximum Spray Volume	0.2 gal/min (0.72 liter/min)	
Water Temperature	OFF: room temperature LOW: 97°F (35°C) MED: 100°F (38°C) HIGH: 104°F (40°C)	
Dryer Temperature	LOW / MED / HIGH	
Electrical Safety Protection	15mA – GFCI	
Power Cord Length	4 ft (1.2m)	
Product Dimensions	15"W x 19"L x 6"H (383 mm W x 483 mm L x 153 mm H)	15"W x 20.1"L x 6"H (383 mm W x 511 mm L x 153 mm H)
Product Weight	9.5 lbs (4.3 kg)	9.7 lbs (4.4 kg)

## Parts & Configuration



Typical install time: 30-60 minutes

# Before Installation

## Tools Needed

- Flat head screwdriver
- Phillips head screwdriver
- Universal wrench (included)
- Measuring tape

**NOTE:** The included Universal Wrench will work for most applications. Depending on your toilet configuration, an adjustable wrench may also be needed.

## Alternate Mounting Hardware

Some toilets may not provide adequate access to the seat mounting holes preventing proper installation of the Standard Mounting Hardware.

In this case you will need to use the Alternate Mounting Hardware and follow the enclosed instructions.

## Check Water Supply Line

Check the line that connects the toilet tank to the water shut-off valve. If it is rigid pipe, you may need to purchase a flexible hose to replace it before installing the Refresh Personal Hygiene System™. The length of the hose and the size of the connectors will vary.



CAUTION

# Installation



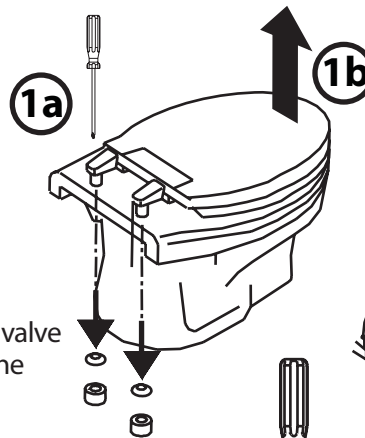
CAUTION

Please read these carefully before installing the Refresh Personal Hygiene System™. Failure to do so could result in flooding, leaking, or damage to the Refresh Personal Hygiene System™.

## 1) Remove Toilet Seat

Steps may vary by type of seat.

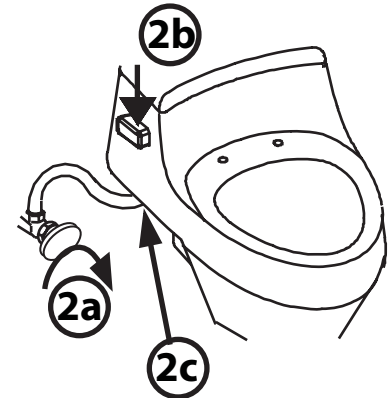
- Lift hinge covers and use a screwdriver to remove the mounting bolts.
- Remove the toilet seat.



## 2) Turn OFF Water and Flush Toilet

You may wish to place a container under the tank to catch any leaking that could occur during installation.

- Turn water valve OFF completely. If the water valve does not shut OFF completely, STOP. Repair the water shut-off valve before proceeding.
- Flush the toilet to empty the tank.
- Disconnect water supply line from toilet tank.

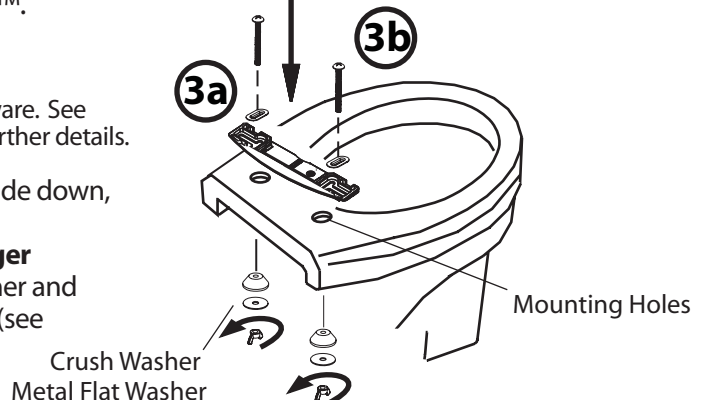


**IMPORTANT:** Do not continue without completing these steps! Failure to do so could result in flooding, leaking, or damage to the Refresh Personal Hygiene System™.

## 3) Install Mounting Plate

**NOTE:** These instructions are for Standard Mounting Hardware. See Alternate Mounting Hardware at the top of this page for further details.

- Place Mounting Plate over mounting holes, flat side down, curve toward the back of the toilet.
- Insert bolts through the Mounting Plate and **finger** tighten the wing nuts. Make sure the crush washer and metal flat washer are put on in the correct order (see graphic).



# Installation (continued)

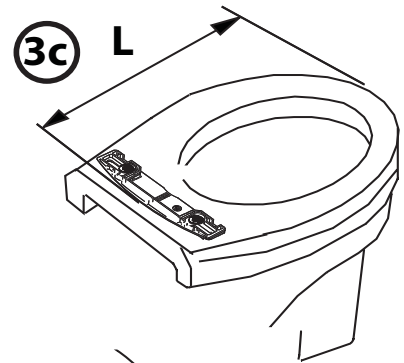
## 3) Install Mounting Plate (continued)

- c) Adjust mounting plate so length (L) between the front of the toilet bowl and the back of the mounting plate is as follows:

**Round (EU44959):** L=18¼" (465 mm)

**Elongated (EV77959):** L=20½"(495 mm)

- d) Tighten Mounting Bolts with screwdriver until the mounting plate is securely fastened to the toilet.

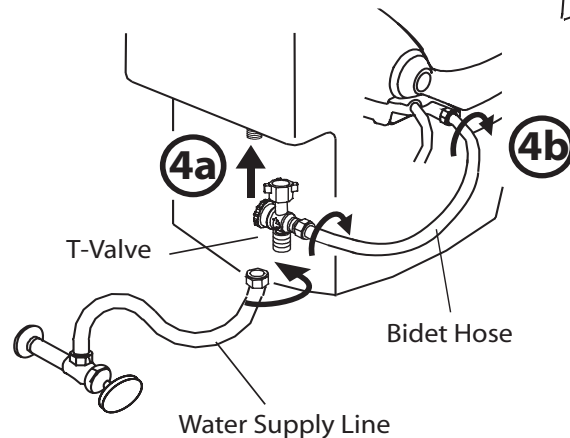


## 4) Connect T-Valve and Hoses

**NOTE:** If your water supply line is rigid pipe, you may need to replace it before installing the Refresh Personal Hygiene System™.

- a) Install the T-Valve between the water supply line and the toilet tank.  
b) Place the Refresh on or beside the toilet and connect the Bidet Hose to the Refresh.

**IMPORTANT:** Use wrench to tighten all connections before continuing. Failure to do so could result in flooding, leaking, or damage to the Refresh Personal Hygiene System™. Do not overtighten!

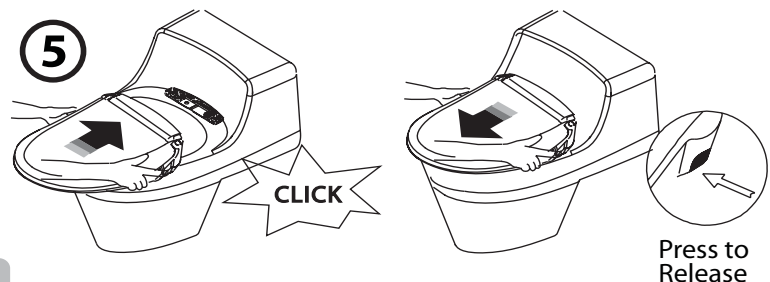


## 5) Attach the Refresh

- a) Slide the Refresh onto the mounting plate. You will hear a "click" indicating the seat has been properly attached. Confirm that the seat switch is in full contact with the toilet bowl rim.

### To Release the Refresh:

Unplug the power plug and turn the water supply valve OFF. Push the button located on the right corner of the seat and gently pull.



## 6) Turn ON Water & Connect Power

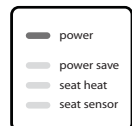
**CAUTION:** Use only a grounded 15 Amp GFCI outlet!

- a) Turn the water supply valve ON slowly. Ensure the connections are not leaking before continuing.

**IMPORTANT!** Make sure work area is dry and hands are dry before continuing.

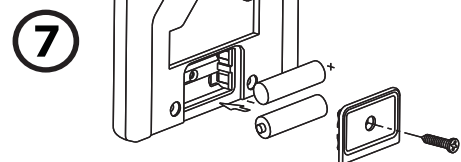
- b) Insert power plug into a grounded 15 Amp GFCI outlet. The blue power LED on the Refresh Display Panel will illuminate.

**IMPORTANT!** Make sure the power plug is removed and the water supply is shut-off before removing the Refresh.



## 7) Battery Installation

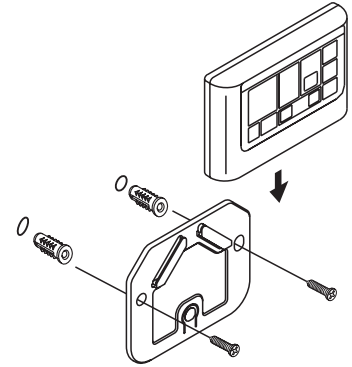
- a) Remove battery cover from Remote Control and insert two (2) AAA batteries (included) as shown.  
b) Refasten battery cover with screw.



# Installation (continued)

## 8) Remote Control Installation

- a) Identify a location for the Remote Control that is visible and reachable from the toilet and that does not obstruct the IR signal.  
Depending on your wall type, you can install the screws directly or use anchor mounts (provided) as shown.
- b) If you prefer to not drill holes in your wall, you may use double sided foam tape to adhere bracket to wall. In this case, make sure to choose a tape with an adhesive that will not damage wall upon removal.



## 9) Filling the Reservoir

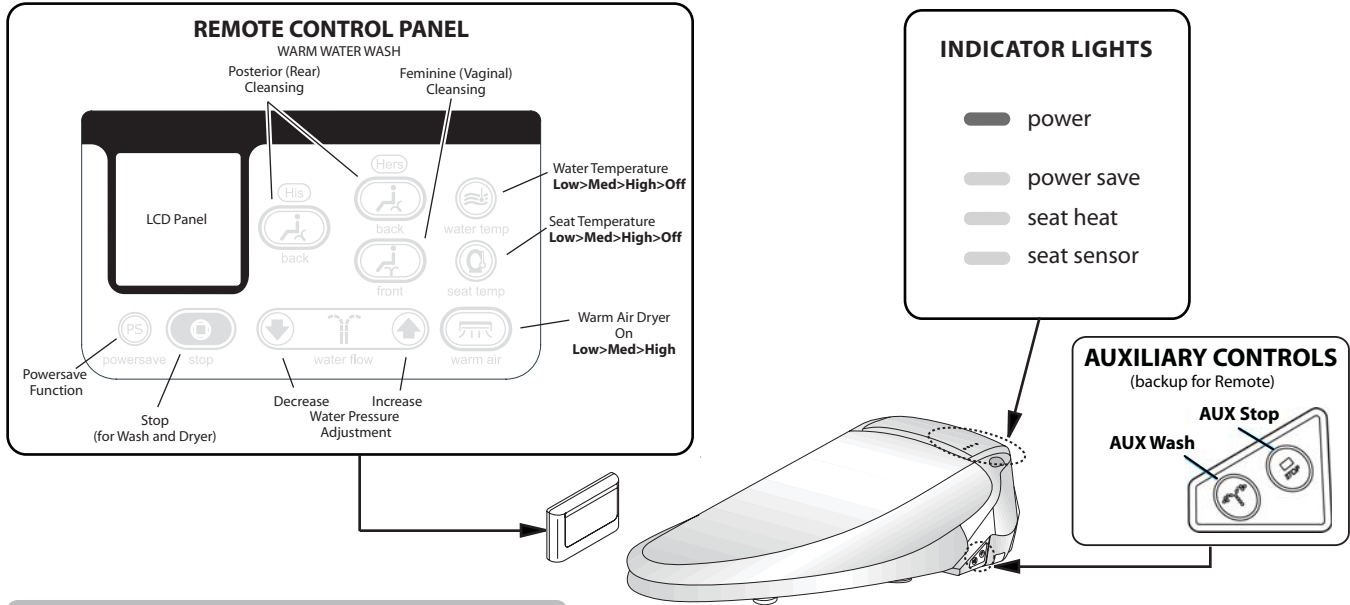
- a) Place a plastic sheet (not provided) over the seat. Sit on the Refresh to activate the seat switch. Press one of the wash functions on the Remote Control. The reservoir will begin to fill. It will take between 5 and 10 seconds for the reservoir to completely fill.  
When the reservoir is full the wash wand will extend and begin to spray. Push STOP to cancel the wash function. Remove the plastic sheet and discard.
- b) Your Refresh bidet seat is now ready for use! Refer to the Operation section of this manual for programming and operation instructions.

# Troubleshooting

	Issue	Possible Causes	Solution
1	Low water flow or pressure	1) Clogged filter 2) Twisted hose 3) Household water pressure low	1) Clean filter 2) Straighten hose 3) Increase water pressure to Refresh
2	Nozzles do not function properly	1) Nozzles are dirty 2) Clogged filter 3) Water pressure is too low	1) Clean the nozzles 2) Clean the filters 3) Adjust water pressure
3	Nozzles fail to react	Nozzles are dirty	Clean nozzles
4	Washing feature does not work or fails to spray	1) User not properly seated 2) Seat switch is not contacting toilet fixture properly	1) Adjust your sitting position 2) Make sure the seat switch is contacting toilet bowl rim (switch is in seat foot)
5	Product shuts OFF during use	1) Washing time exceeding 5 minutes 2) Power failure	1) Repeat cleaning function 2) Check power and/or unplug the cord to reset
6	Seat not heated	Seat temperature set to OFF	Reset heated seat temperature
7	Water not heating	Water temperature set to OFF	Reset heated water temperature
8	Water flow sporadic or inconsistent	Pulsating / Spa mode activated	Reset to normal washing mode
9	Dryer not working	Dryer only operates when activated by weight of person on seat	Sit on Refresh to operate Dryer

# Operation

Some features of the Refresh Personal Hygiene System™ are designed to function only when the seat is occupied.



## Using the Refresh Remote Control

### Warm Water Washing

Sit on the seat and press the FRONT or BACK (either HIM or HER) button to begin water flow. Press STOP button to discontinue water flow.

### Water Flow/Pressure Adjustment

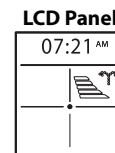
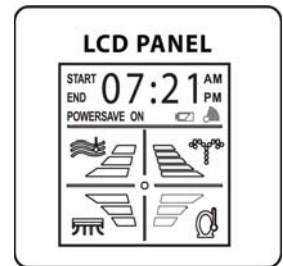
While water is flowing, press the button to increase pressure or the button to decrease pressure. Repeat until desired pressure is reached. There are five (5) levels of water pressure. Each wider bar on the LCD graphic display represents one level increase.

### Pulsating Water Mode

To change to Pulsating Mode; While water is flowing, press the FRONT or BACK (either HIM or HER) button for over three (3) seconds. To deactivate and return to normal washing mode, repeat the above step.

### Warm Air Dryer

Press the WARM AIR button to start dryer. Press STOP to stop the dryer.



## Adjusting Seat, Water, and Dryer Temperature

You must be sitting on the seat for these functions. The last entered temperature settings are stored in memory.

### Adjusting Seat Temperature

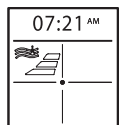
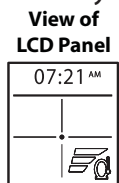
Press SEAT TEMP button to adjust temperature. Repeat until desired level is achieved. There are four (4) temperature levels: **low>medium>high>off**. Each wider bar on the LCD graphic display represents one level increase. No LCD graphic indicates seat heating is OFF.

### Adjusting Water Temperature

Press WATER TEMP button to adjust temperature. Repeat until desired level is achieved. There are four (4) temperature levels: **low>medium>high>off**. Each wider bar on the LCD graphic display represents one level increase. No LCD graphic indicates water heating is OFF.

### Adjusting Dryer Temperature

Press WARM AIR button to adjust temperature. Repeat until desired level is achieved. There are three (3) temperature levels: **low>medium>high**. Each wider bar on the LCD graphic display represents one level increase.



# Operation (continued)





## Setting the Clock

- Press and hold the STOP button on the remote Control for over 5 seconds until the Clock flashes.
- Use the  button to set the HOUR and the  button to set the MINUTES.

## Power Save Mode

The Refresh Personal Hygiene System™ includes a power saving feature to reduce electrical consumption when not in use. Once set, the Power save function turns the Refresh ON and OFF each day according to your programmed time settings.

### Setting the Power save Start and End Times

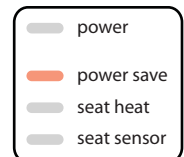
- Press and hold the Power save button for 5 seconds. "POWER SAVE START" on the Remote and the Power save LED on the Refresh will flash.
- Adjust the Power save Start time using the  WATER FLOW button to set the HOUR and the  WATER FLOW button to set the MINUTES. When the desired Start time is displayed on the Remote, press the Power save button again.
- "POWER SAVE END" on the Remote and the Power save LED on the Refresh will flash.
- Adjust the Power save End time using the  WATER FLOW button to set the HOUR and the  WATER FLOW button to set the MINUTES. When the desired End time is displayed on the Remote, press the Power save button again.



The remote LCD will show "POWER SAVE ON" and the Power save LED on the Refresh will be green. Power save function is now ON and the unit will go into Power save mode at the programmed start time.

### Enabling and Disabling the Power save

- Press the Power save button to toggle between Power save ON and Power save OFF.
- To change Power save Start and End Times refer to the procedure above.

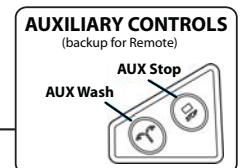
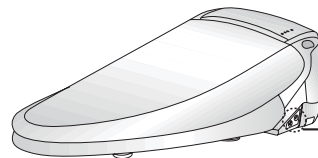


### When Power save is Operating

- When the Refresh is in Power save mode, the Power save LED on the seat will glow ORANGE.
- Sitting on the Refresh while it is in Power save mode returns the unit to normal operation. The Refresh will not re-enter the Power save mode until the next day's scheduled start time.

## Auxiliary Controls

There are two (2) buttons on the rear, right corner of the Refresh for use when the Remote Control is unavailable.



**Rear Wash:** Sit on the seat and press the AUX WASH button to begin water flow (only posterior cleaning is available when using Auxiliary Controls).

(For each of the operations below you must start in the Rear Wash mode.)

**Water Pressure:** Press the AUX WASH button again until the desired water pressure is achieved. Press the AUX STOP button to discontinue the water flow.

**Warm Air Dryer:** Press the AUX STOP button to activate Warm Air Dryer. It will automatically be set to the medium temperature level. Press the AUX STOP button again to turn OFF the dryer.

**Seat Temperature:** To adjust the Seat Temperature, press and hold the AUX STOP button for more than 5 seconds. Press the AUX STOP button again to change seat temperature: **low>medium>high>off**.

**Water Temperature:** To adjust the Water Temperature, press and hold the AUX WASH button for more than 5 seconds. Press the AUX WASH button again to change water temperature: **low>medium>high>off**.

## Remote Control Beeping/Silent Modes

The remote control has two (2) operational modes: **Beeping Mode** and **Silent Mode**. Beeping mode beeps to confirm when a command from the remote has successfully been received by the seat.

To change modes, press and hold the WATER TEMP button on the remote for 5 seconds.

# Maintenance



CAUTION

Always unplug the Refresh before cleaning!

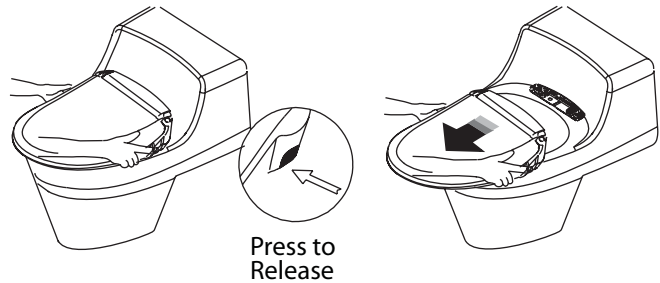


CAUTION

## Seat Cleaning and Removal

Use a soft, damp cloth and mild cleanser (such as dish soap) to wipe down the seat. **DO NOT** scrub or use harsh, abrasive products to clean the Refresh bidet seat.

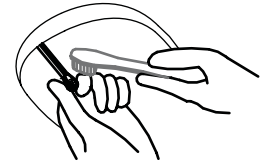
For a more thorough cleaning, you may remove the Refresh bidet seat. To release, push the button located on the back right side of the seat and pull the Refresh bidet seat forward.



## Nozzle Cleaning

It is recommended that you clean the retractable nozzles monthly or as necessary.



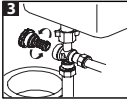



To clean the nozzles, pull them out gently and use a soft, damp brush or cloth to wipe down. **DO NOT** use soap or detergents to clean nozzles.



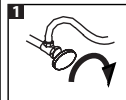
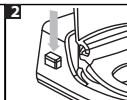




## Filter Cleaning

For proper Refresh bidet seat function, it is important to occasionally clean the water filter. Frequency of cleaning depends on your local water supply. Clogged filters cause decreased water flow, affecting operation. Remove filters by hand. **DO NOT** operate with filters removed.

### T-VALVE FILTER:

- 
- 
- 
- 
- 
- 

### BIDET-HOSE FILTER:

- 
- 
- 
- 
- 
- 

**For other issues or questions, contact Jacuzzi Customer Service:  
1-800-288-4002**

## Contact Information

Jacuzzi Whirlpool Bath  
Customer Service  
14801 Quorum Dr., Suite 400  
Dallas, TX 75254

PHONE: 1-800-288-4002  
WEB: [www.jacuzzi.com](http://www.jacuzzi.com)

## Warranty

The Refresh Personal Hygiene System™ is covered by a limited one year warranty, valid from the original date of purchase for original purchaser.

Please complete and return the enclosed product registration card to receive important product updates.



## Free Manuals Download Website

<http://myh66.com>

<http://usermanuals.us>

<http://www.somanuals.com>

<http://www.4manuals.cc>

<http://www.manual-lib.com>

<http://www.404manual.com>

<http://www.luxmanual.com>

<http://aubethermostatmanual.com>

Golf course search by state

<http://golfingnear.com>

Email search by domain

<http://emailbydomain.com>

Auto manuals search

<http://auto.somanuals.com>

TV manuals search

<http://tv.somanuals.com>