

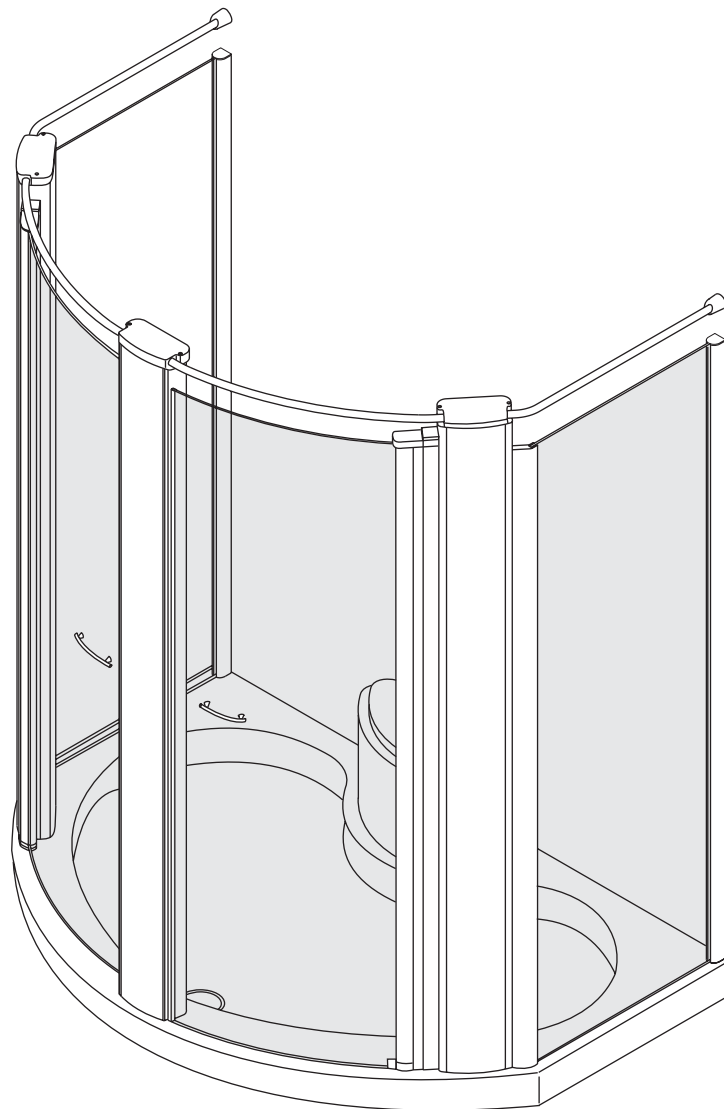


# SUMMER RAIN™ II

## 2 PERSON SHOWER SYSTEM

### ONE WALL

#### INSTALLATION AND OPERATING INSTRUCTIONS



Jacuzzi Whirlpool Bath® BY82000 03/05

## **IMPORTANT SAFETY INFORMATION**

Do not place or use electrically connected devices, such as television, radio, or stereo speakers, lights, hair dryers, or telephones, within 1.5 m (5 feet) of shower.

**Note: This is a professional grade product. A knowledge of construction techniques, plumbing and electrical installation according to codes are required for proper installation and user satisfaction. We recommend that a licensed contractor perform the installation of all Jacuzzi Whirlpool Bath® products. Our warranty does not cover improper installation related problems.**

# CONTENTS

Specifications _____	2
Enclosure Specifications _____	3
Rough-in Reference _____	3
Component Identification _____	4
Base Installation _____	5-7
Tower and Doors Installation _____	8-15
Operation _____	16-17
Maintenance _____	18
Tower Fixture Repair Parts _____	19
Tower Plumbing Repair Parts _____	20
Warranty _____	23-24

**Save These Instructions for Future Use.**

<b><i>Owner's Record</i></b>	
Date Purchased _____	_____
Purchased From _____	_____
Installed By _____	_____
Serial Number _____	_____
Model _____	_____

# SPECIFICATIONS

## Important: Read complete instructions before beginning installation.

Each unit arrives ready for installation, equipped with base, glass and associated hardware.

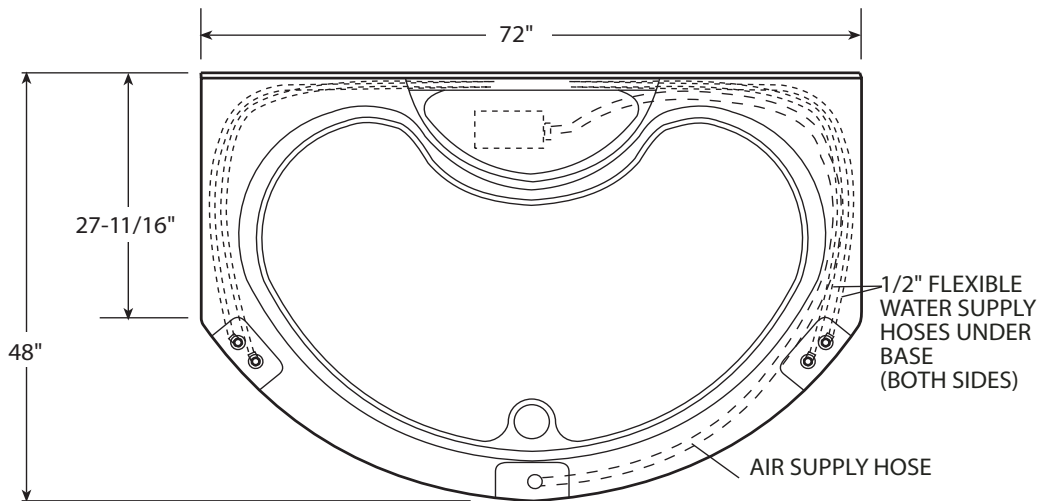
Remove the unit from the carton. Retain the shipping carton until satisfactory inspection of the product has been made.

Immediately upon receipt, inspect the base and other components before installing. Check all carton inserts for parts and hardware. Should inspection reveal any damage or defect in any component, do not install the unit. Damage or defect to any component claimed after the unit is installed is excluded from the warranty. Jacuzzi Whirlpool Bath's responsibility for shipping damage ceases upon delivery of the products in good order to the carrier. Refer any claims for damage to the carrier. For definitions of warranty coverage and limitations, refer to the published warranty information packed with the product.

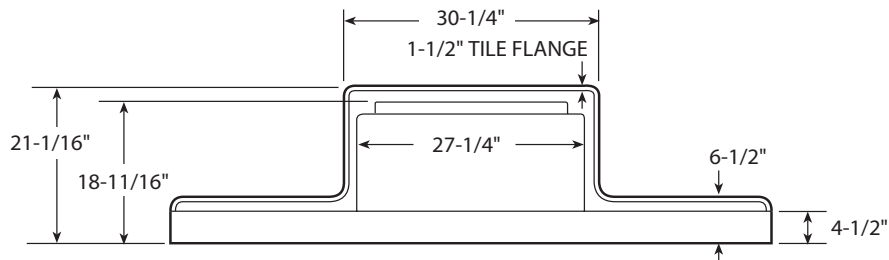
Jacuzzi Whirlpool Bath® is not responsible for any defect that could have been discovered, repaired, or avoided by following this inspection.

## BASE SPECIFICATIONS

### DIMENSIONS



### TOP VIEW



### FRONT VIEW

#### PRODUCT WEIGHT (Base and Enclosure )

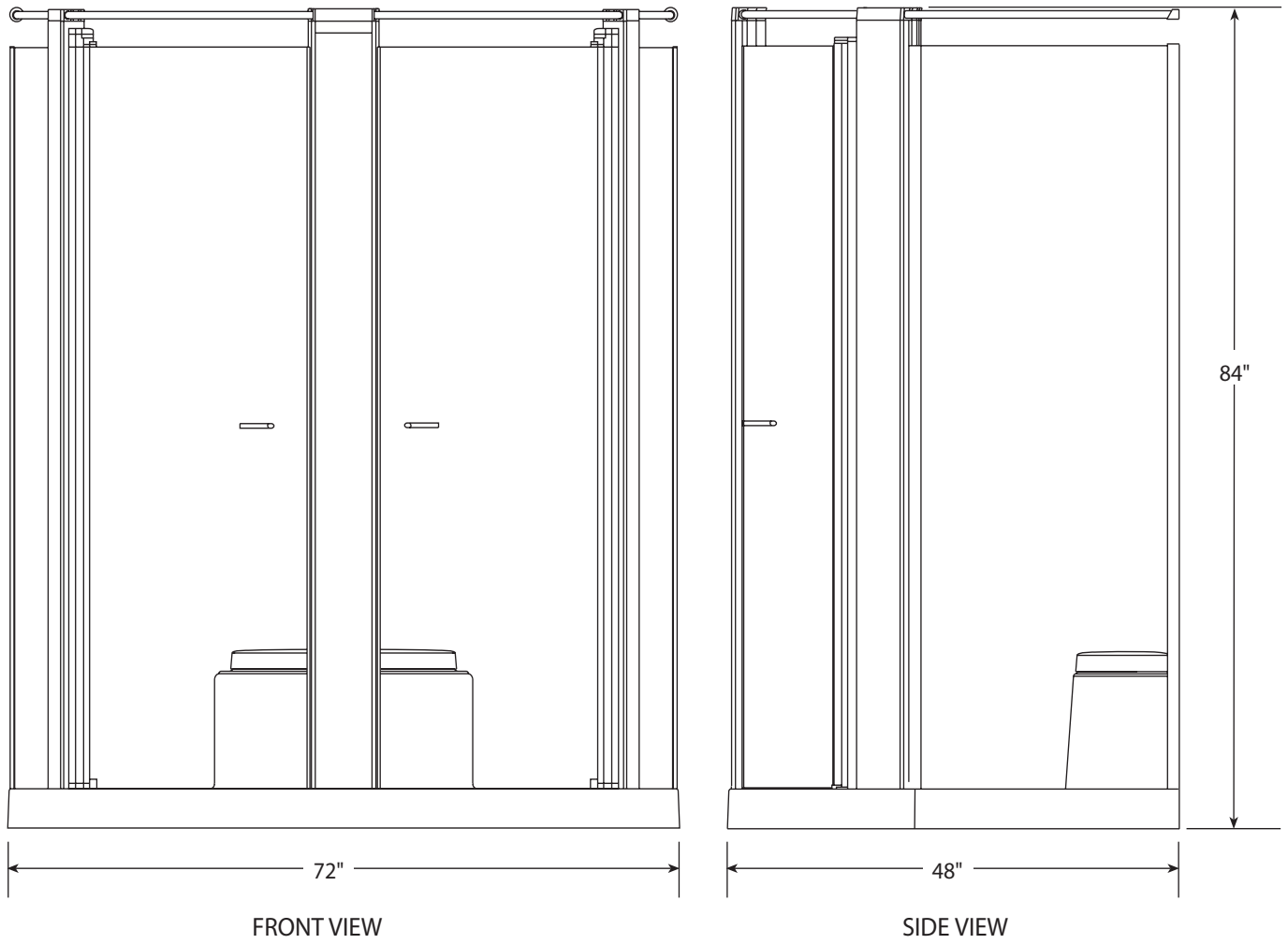
950 lb  
(431 kg)

#### TOTAL WEIGHT/FLOOR LOADING

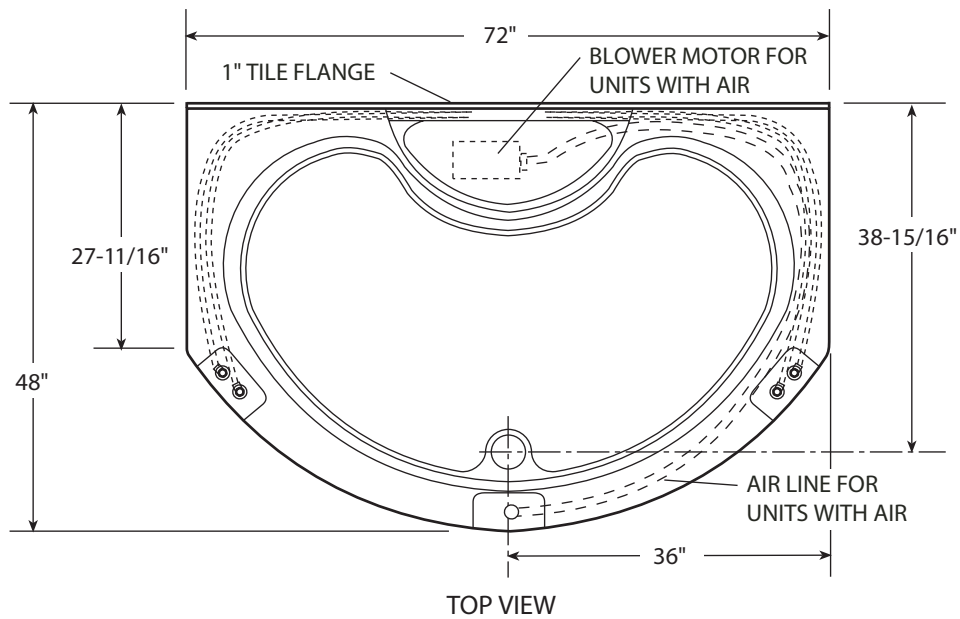
1266.6 lb (574.5 kg)  
63.3 lb/sq. ft. (332.1 kg/m<sup>2</sup>)

**NOTE: MINIMUM WATER PRESSURE FOR THE SYSTEM IS 45 PSI WITH 3/4" HOT & COLD SUPPLY SERVICE.**

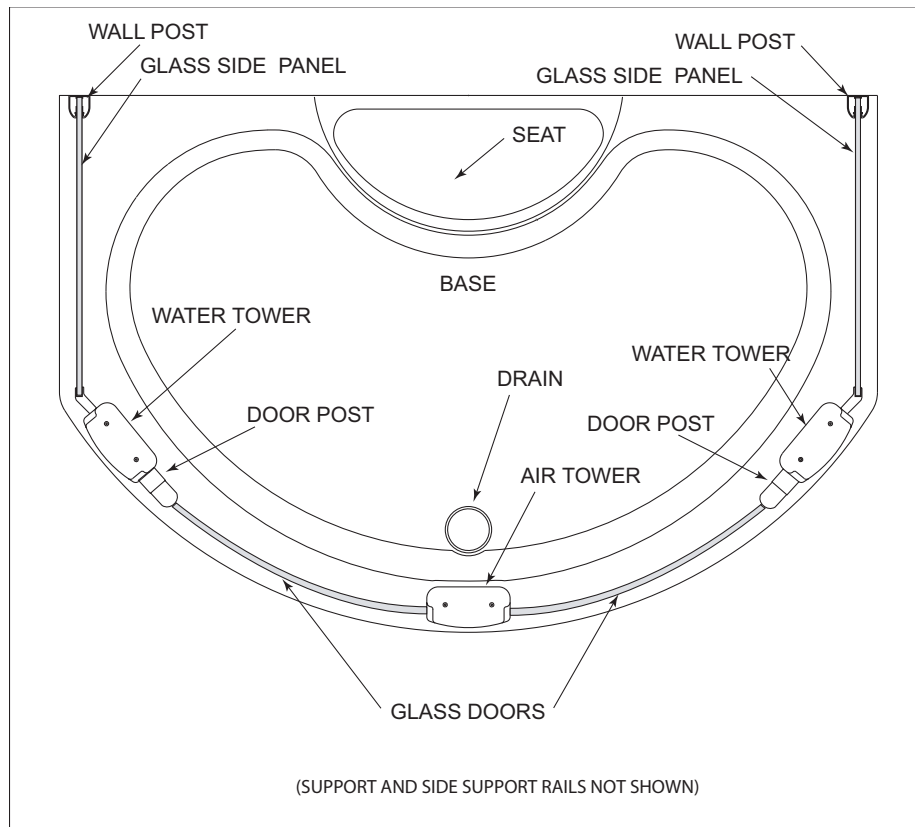
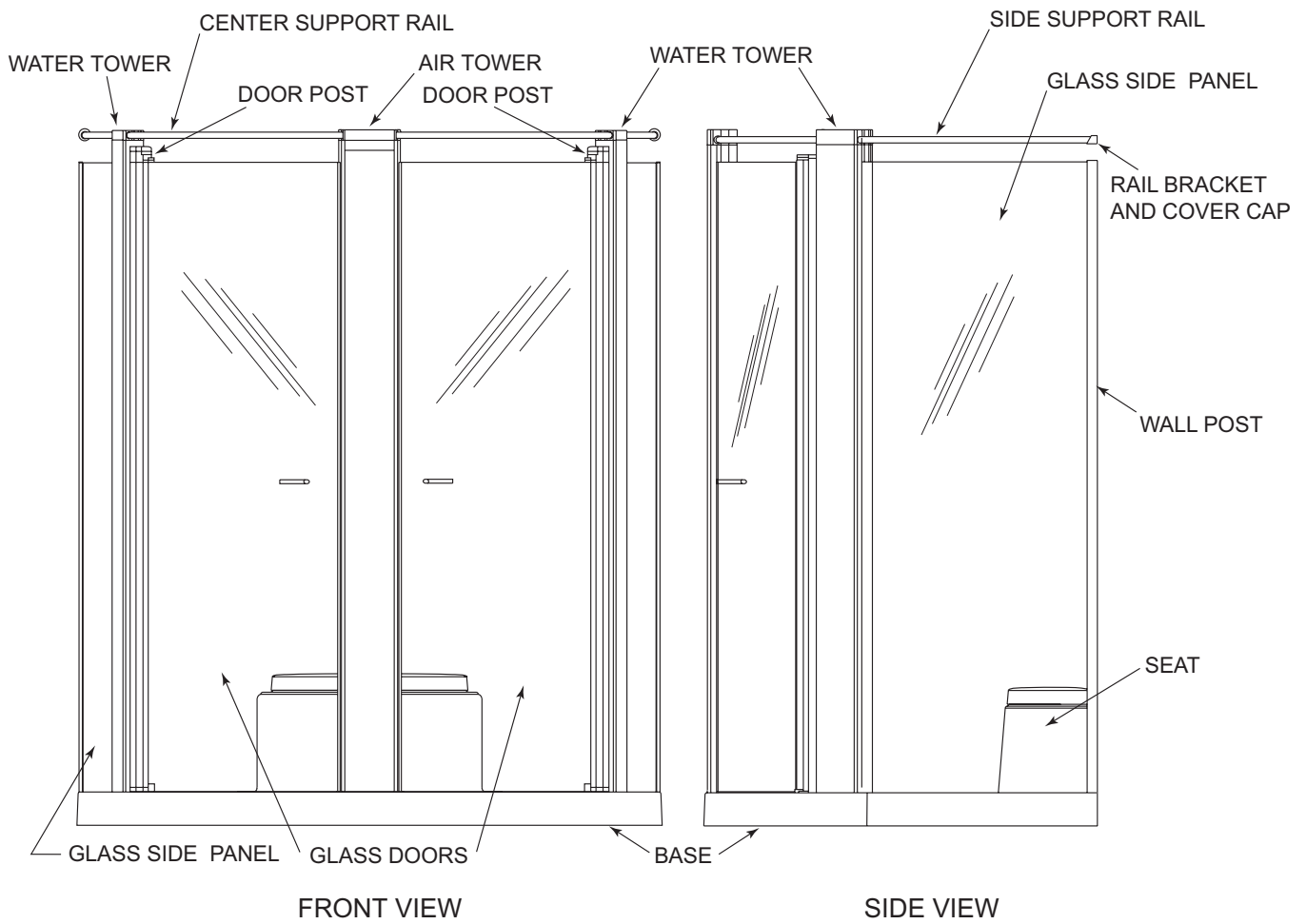
## ENCLOSURE SPECIFICATIONS



## ROUGH-IN REFERENCE



# COMPONENT IDENTIFICATION



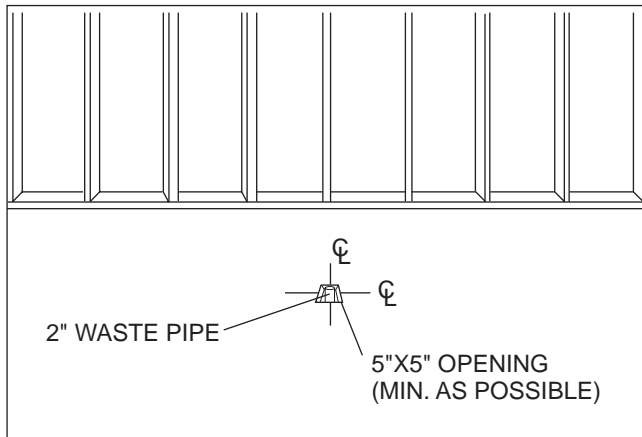
# BASE INSTALLATION

## PRELIMINARY ROUGH-IN

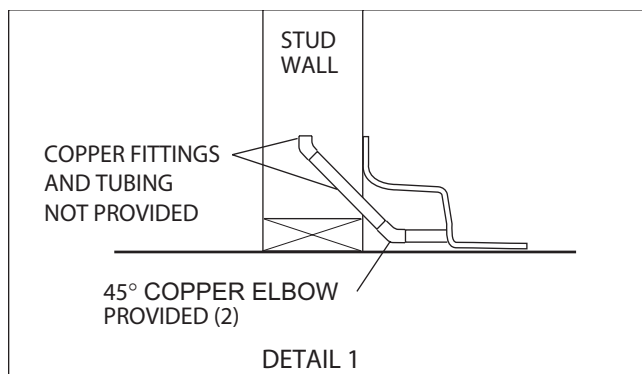
The floor structure beneath the unit must be able to support a total weight of the unit and bather. Refer to page 2, SPECIFICATIONS, for weight specifications. Refer to COMPONENT IDENTIFICATION on page 4 to help identify parts.

### STEP 1

Provide an opening in the subfloor no less than 5" x 5" square. This opening should be located on the center lines of the shower base drain hole.



**CAUTION:** A nonflammable protective barrier must be placed between soldering work and base unit to prevent damage to the base.

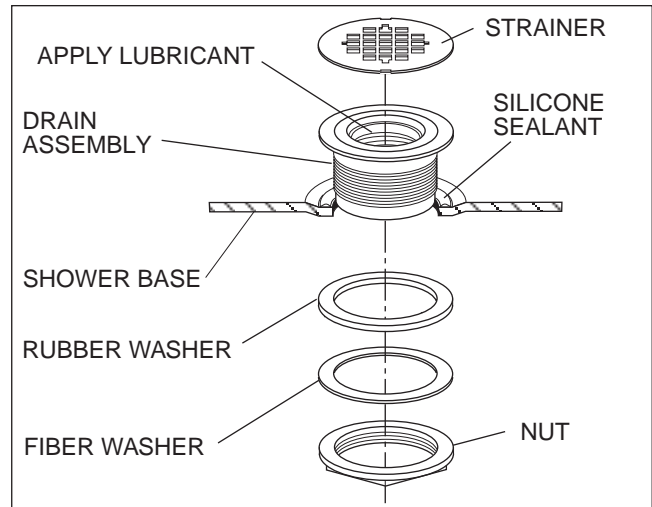


## INSTALLATION INSTRUCTIONS

### STEP 2

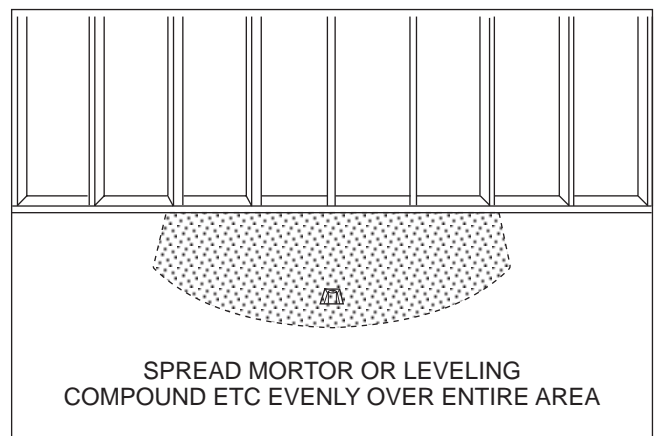
Remove the stainless steel strainer from the drain assembly. Disassemble the locknut and two gaskets from the back of the drain assembly. Apply a 1/4" bead of caulking (silicone) to the drain hole and insert the drain assembly. Replace the rubber washer, fiber washer, and lock nut in that order. Hand tighten the locknut. Remove excess sealant from finished side.

Apply a lubricant (common household liquid soap works well) to the inside of the rubber seal of the drain assembly.



### STEP 3

If the subfloor is level, no other preparation is necessary. You can proceed to install the shower base. If the subfloor is not level, level the subfloor by spreading floor leveling compound, mortar, plaster or minimal expansion structural foam with a minimum density of 5 lbs./cubic feet **EVENLY** over **ENTIRE** area where base will be installed. The compound used **MUST** make contact with the entire bottom surface of the base. Both sides of a joint or splice of subfloor should be level to each other. Level and support waste pipe cutout area greater than 5" x 5". The base is **NOT** to be supported by the tile flange.



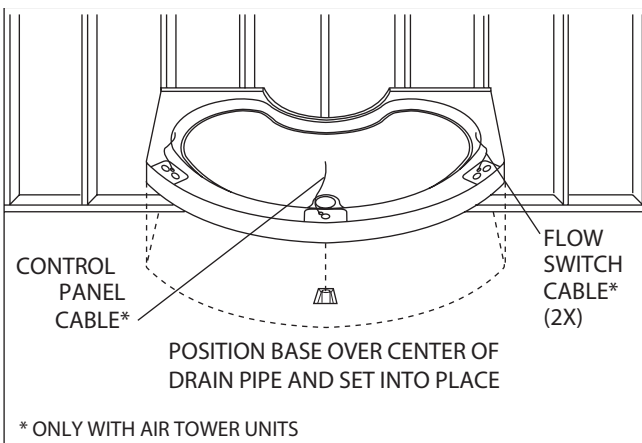
# BASE INSTALLATION

## STEP 4

Before installing the base, make sure the 4 water supply hoses are routed to seat area. If you have a with Air unit also route the air supply hose to the seat area. If you have a with Air unit also pull the 2 flow switch cables and the control panel cable through base at this time.

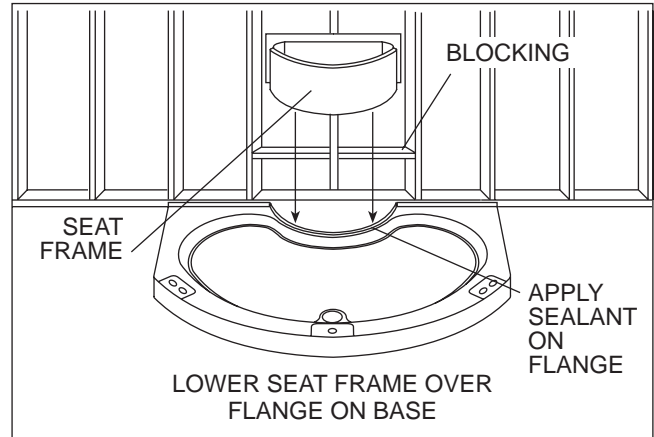
With the drain fitting passing over the center of the drainpipe, lower the shower base carefully into place, push down firmly until the base is in place.

You **must** check the level of the base in two directions. Do **not** lift a corner of the shower base to level the base. This will cause a loss of contact with the mortar and void your warranty. Attach the shower base flange to the stud wall and blocking with self-drilling screws (included). Use a minimum of 3 screws per flange section.



## STEP 5

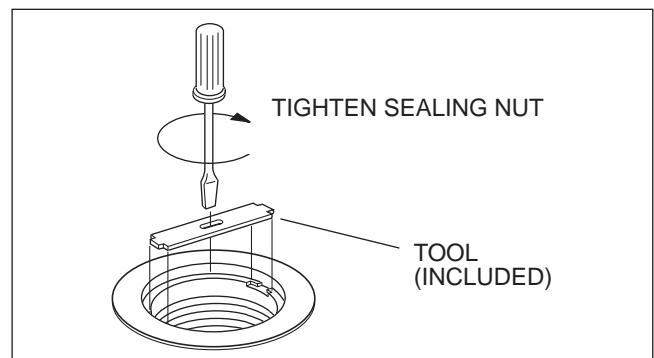
Before installing the seat frame, apply silicone sealant around mating flange on base. Lower seat frame onto flange and base. Attach the seat frame flange to the stud wall and blocking with self-drilling screws (included). Use a minimum of 3 screws per flange section. Clean up any excess sealant.



**NOTE:** If there is any gap between seat frame flange and stud or blocking, shims **MUST** be used to prevent distortion or cracking of the flange. See Shim Instructions.

## STEP 6

With a large screwdriver and the tool included with the drain, tighten the inside compression nut to seal the drain pipe connection. After drain is fully installed, test for proper drainage. If the shower base does not drain properly, rectify this condition before proceeding with the installation. **Jacuzzi Whirlpool Bath® is not responsible for removal and/ or reinstallation costs.**

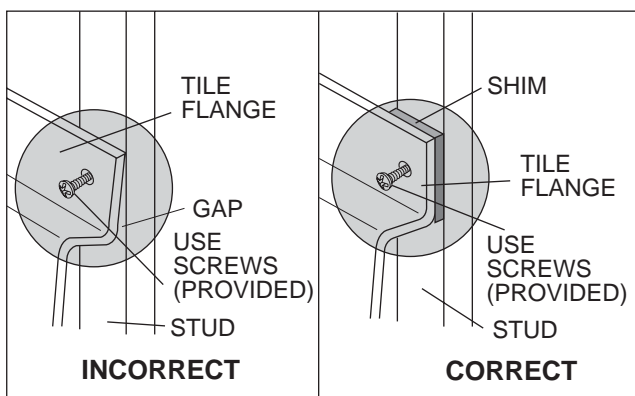


**NOTE:** Watertight installation of the drain is the installer's responsibility. Drain leakage is excluded from the Jacuzzi Whirlpool Bath® warranty.

Replace the strainer and tape over the drain hole to prevent finishing material from entering drain.

**NOTE:** If there is any gap between base flange and stud or blocking, shims **MUST** be used to prevent distortion or cracking of the flange. See Shim Instructions.

## SHIM INSTRUCTIONS



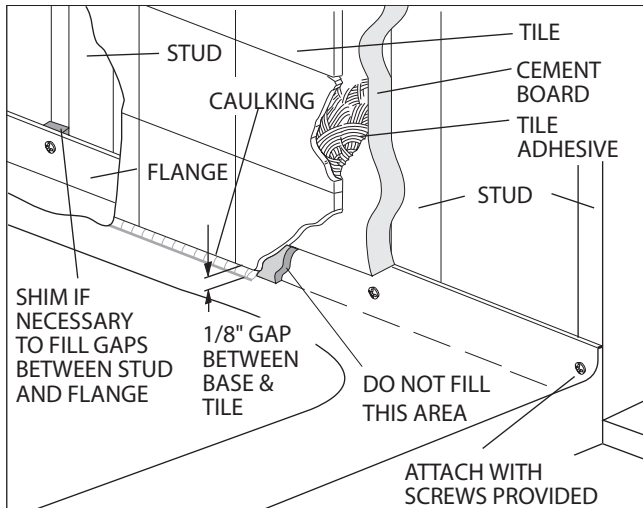


## BASE INSTALLATION

### STEP 7

Place cement board or equivalent on top of shower base flange and secure to studwall.

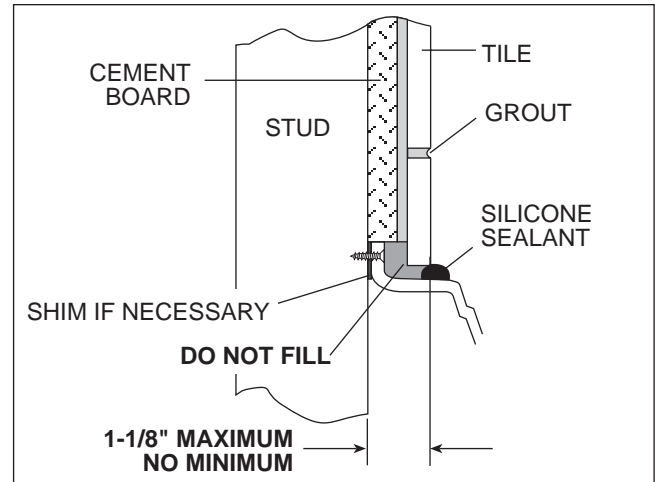
Apply tile (or other finishing material) leaving a 1/8" gap between the finishing material and the shower base flange lip. Seal this gap with silicone sealant. Leave a minimum 1/4" gap at the back and front corners of the shower base to allow drainage from leakage through unsealed tiled grout.



See Shim Instructions on page 6.

### STEP 8

Filling the area marked **DO NOT FILL** will prevent moisture from properly draining back into the base through weep holes. This moisture is due to leakage through the tile grout. Sealing the tile grout will reduce or prevent this leakage.



### STEP 9

**NOTE: ALLOW 24 HOURS DRYING TIME BEFORE BEGINNING THE TOWER AND DOOR INSTALLATION.**

## CLEAN UP AFTER BASE INSTALLATION

To avoid dulling and scratching the acrylic surface of the base, never use abrasive cleaners. A mild liquid detergent and warm water clean soiled surfaces.

Remove spilled plaster with a wood or plastic edge. Metal tools scratch the surface. Spots left by plaster or grout can be removed if lightly rubbed with detergent on a damp cloth or sponge.

Paint, tar, or other difficult stains can be removed with paint thinner, turpentine, or isopropyl alcohol (rubbing alcohol).

Minor scratches which do not penetrate the color finish can be removed by lightly sanding with 600-grit wet/dry sandpaper. You can restore the glossy finish to the acrylic surface of the base with a special compound, Meguiar's #10 Mirror Glaze. If not available, use automotive rubbing compound followed by an application of automotive paste wax.

Major scratches and gouges which penetrate the acrylic surface require refinishing. See your Jacuzzi Whirlpool Bath® dealer for special instructions.

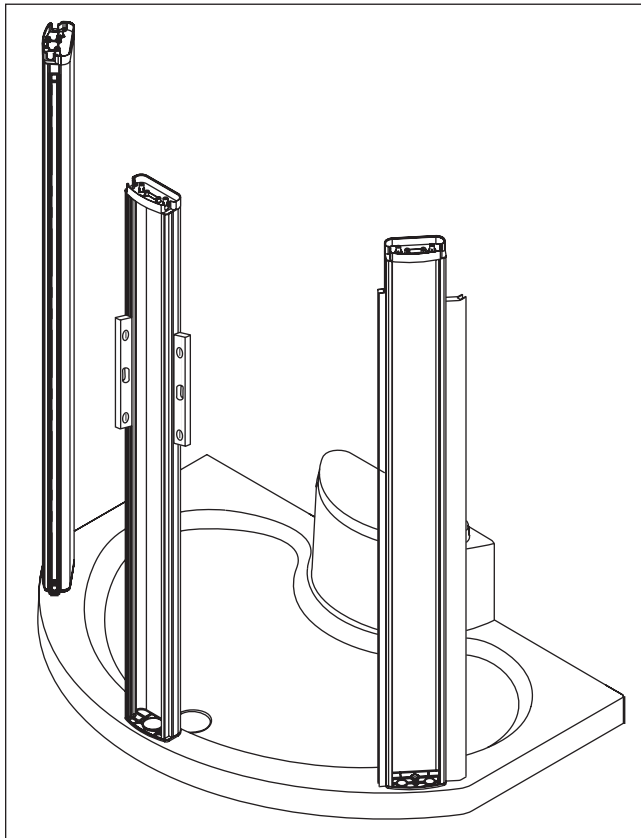
# TOWERS AND DOORS INSTALLATION

THESE INSTRUCTIONS ARE FOR SUMMER RAIN UNITS WITH AND WITHOUT AIR FEATURE OPTION. REFER TO COMPONENT IDENTIFICATION ON PAGE 4 TO HELP IDENTIFY PARTS.

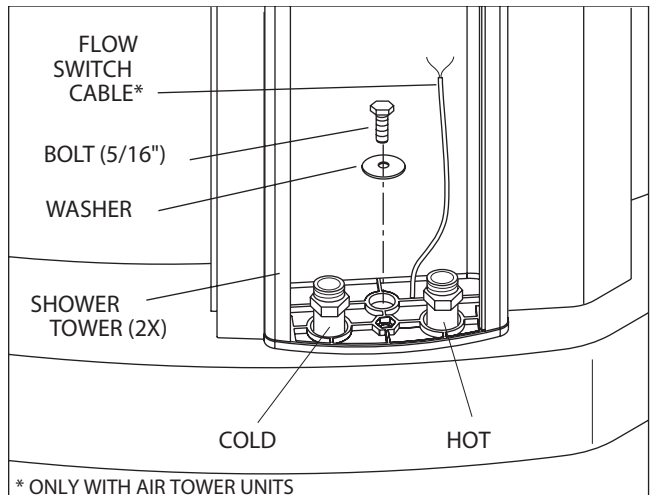
All wall finish tiling, trim, and sealing should be completed before beginning this part of the installation.

## STEP 1

Position each tower on mounting pad on base. For the shower towers, feed hot and cold supply line through appropriate holes in bottom of tower. For air feature, feed air line through large hole on bottom cap of the air tower. Check with a level when attaching towers to base. Tighten tower base bolts after leveling (1 bolt per shower tower and 2 bolts for air tower).

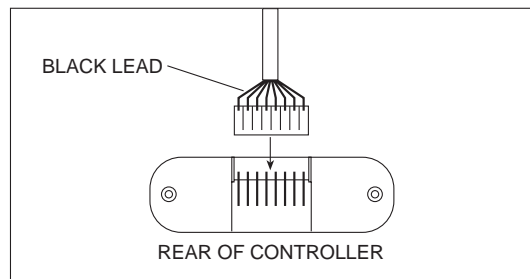
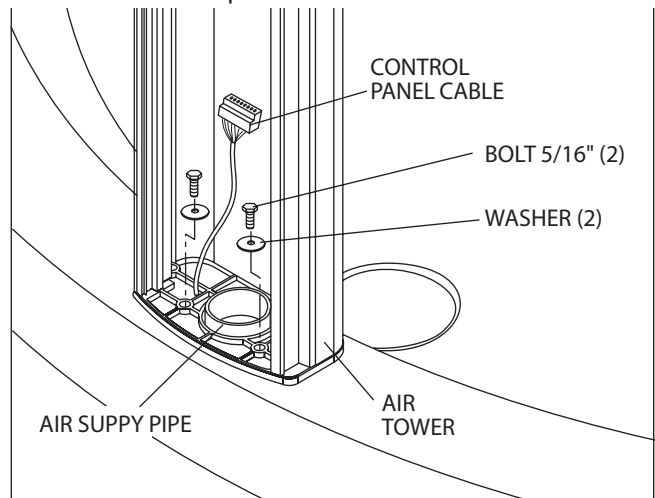


## WATER TOWER DETAIL



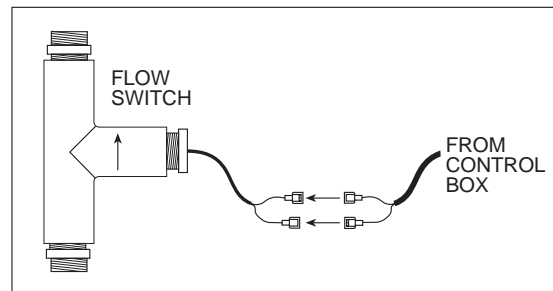
## STEP 2 (WITH AIR FEATURE ONLY)

Route control panel cable up through air tower and connect to control panel.



## STEP 3 (WITH AIR FEATURE ONLY)

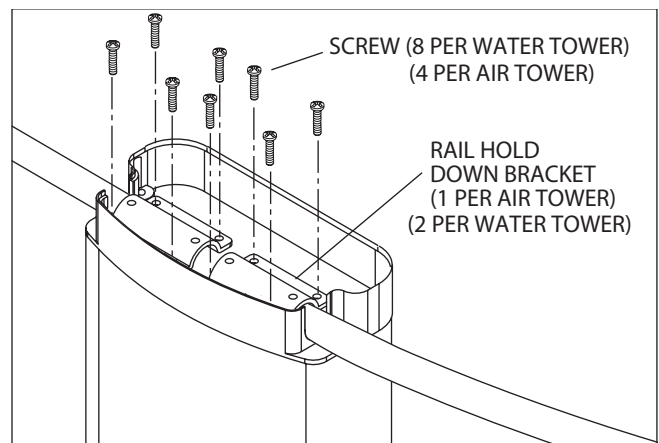
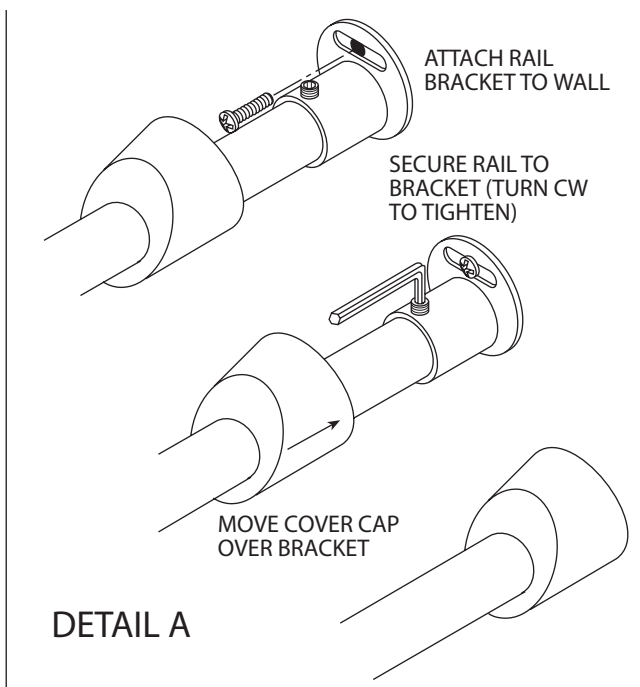
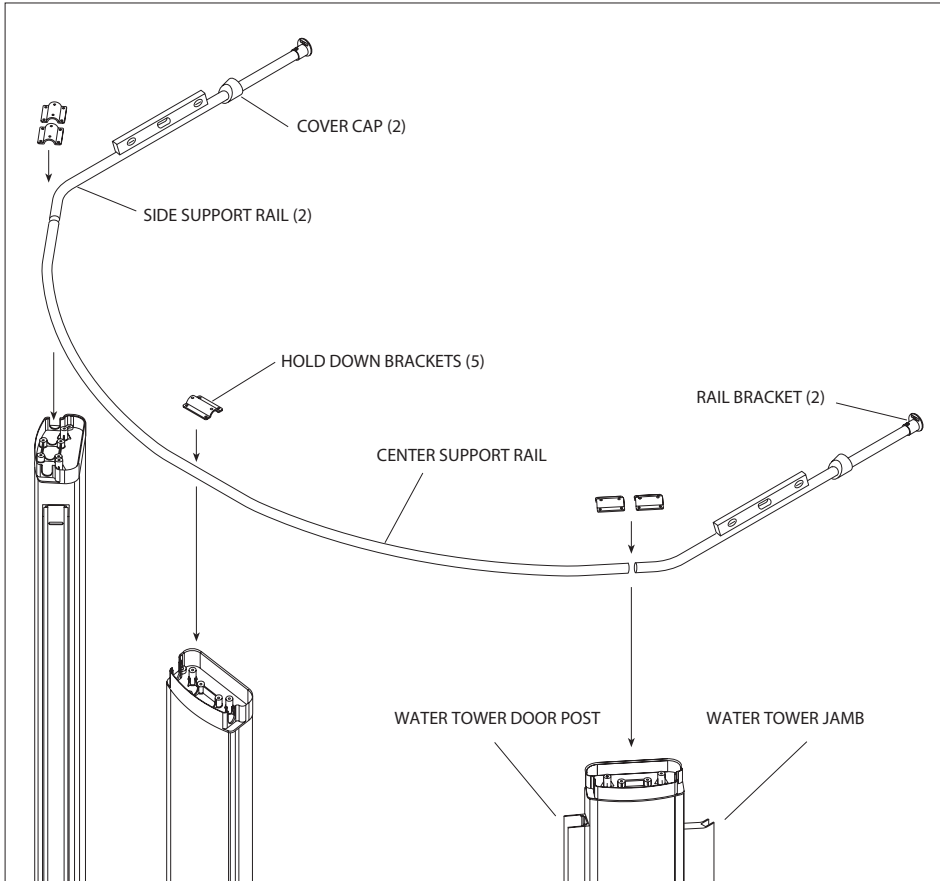
Route flow switch cables up through water towers and connect to flow switch on both shower towers.



## TOWERS AND DOORS INSTALLATION

### STEP 4

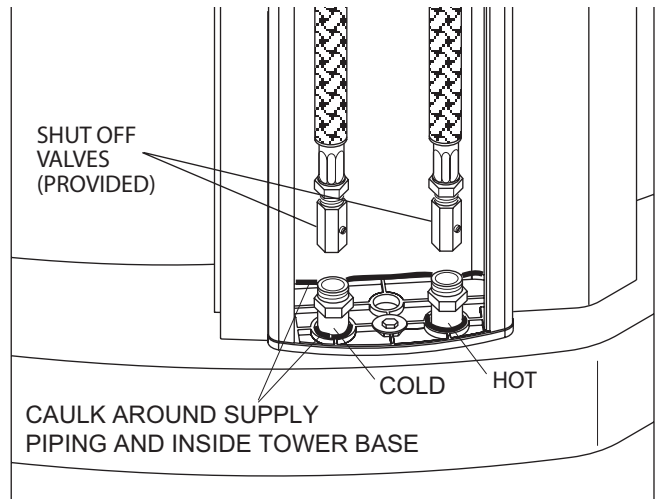
Take the side support rails and install a cover cap and wall bracket on each end. Place the center support rail into slot on each tower. If rail does not readily fit into slots, it may be necessary to loosen the bolts holding towers to base (it may only be necessary to loosen one tower). **DO NOT FORCE CENTER RAIL INTO SLOTS.** With center support rail in position, install hold down brackets but do not tighten screws. Place the side support rails into the slot on each water tower. With side rails in position install hold down brackets, but do not tighten screws. Check side support rails for level and mark on the finished wall where to attach rail bracket. See DETAIL A. Drill 3/16" holes and secure bracket with screws and wall anchors provided. Slide cover cap over rail bracket. If a tower bolt was loosened, retighten while checking the plumb of the tower. Tighten screws on all hold down brackets.



## TOWERS AND DOORS INSTALLATION

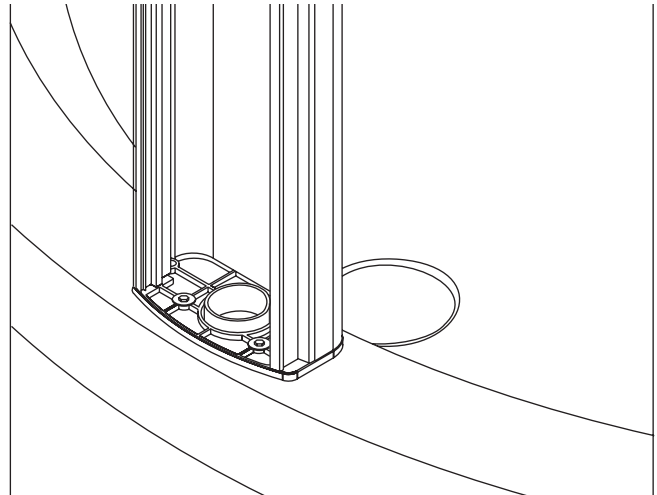
### STEP 5

Two shut-off valves are provided per water tower. To hook up supply lines, unscrew valves from braided line. Using thread sealant, screw each valve to stub out at bottom of tower. Then reconnect braided line using provided gasket. Do not twist or kink supply lines when connecting. Perform this step for both water towers.



### STEP 4 (WITH AIR FEATURE ONLY)

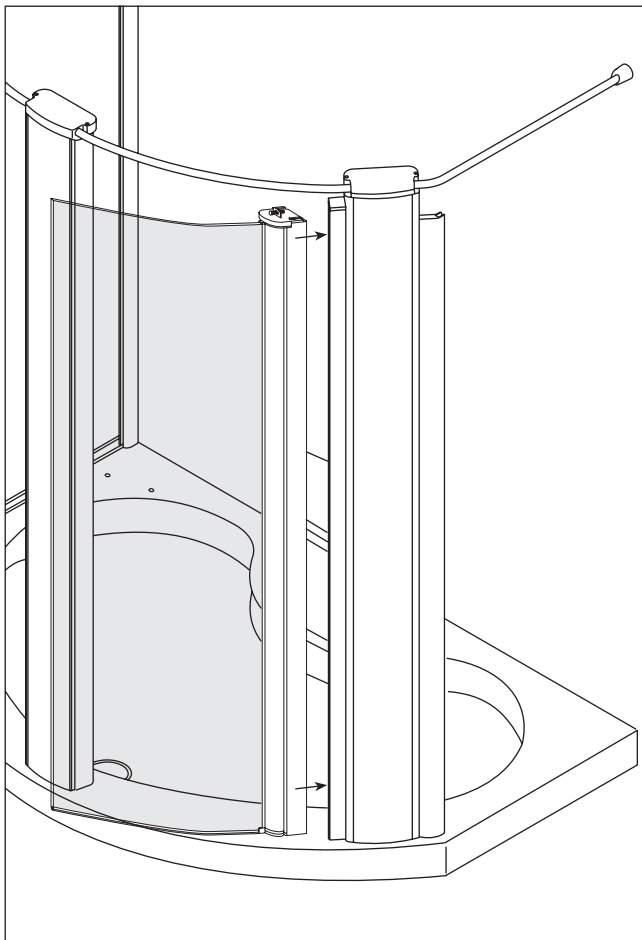
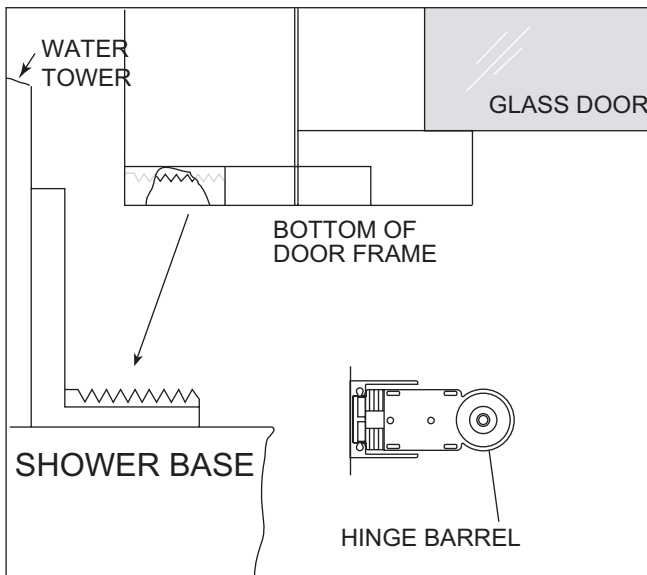
Attach air supply pipe to air tower plumbing.



# TOWERS AND DOORS INSTALLATION

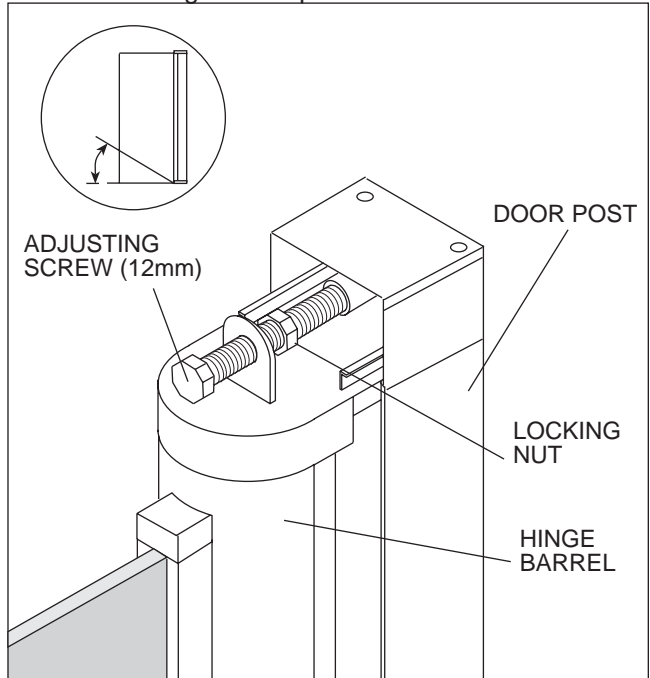
## STEP 6

Move the door assembly to the door post on water tower and slide the assembly into the door post. Locate the base of the door into the slot of serrated door positioner that positions the hinge barrel as shown.



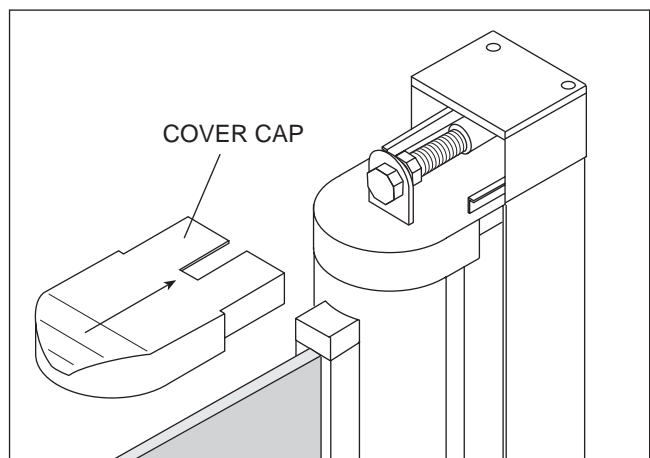
## STEP 7

Check that the magnetic mouldings on door and air tower overlap. Insert adjusting bolt with locking nut into fixed nut in top cap (See below). Adjust the door with adjusting screw until the glass is parallel with shower base and door moulding mates with water tower moulding. It may be necessary to reposition the door into another slot (See STEP 6) which can be done without removing door from wall post. To do so remove the adjusting screw from wall post, lift the door slightly to reposition. Reinsert adjusting screw and locking nut and adjust glass door. After final adjustment, lock this position with locking nut. Repeat for other door.



## STEP 8

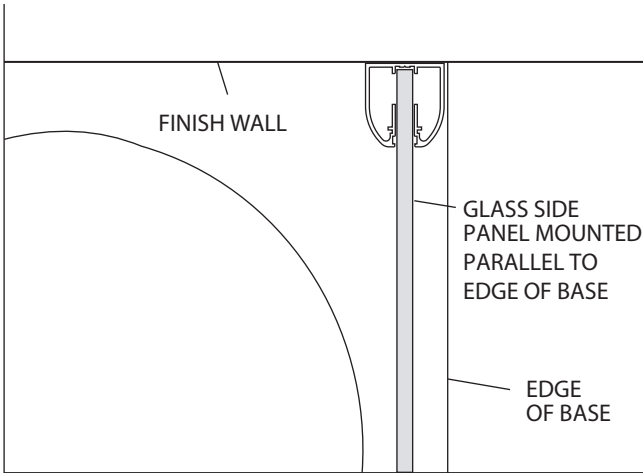
Install cover cap by sliding over adjusting screw and bracket.



# TOWERS AND DOORS INSTALLATION

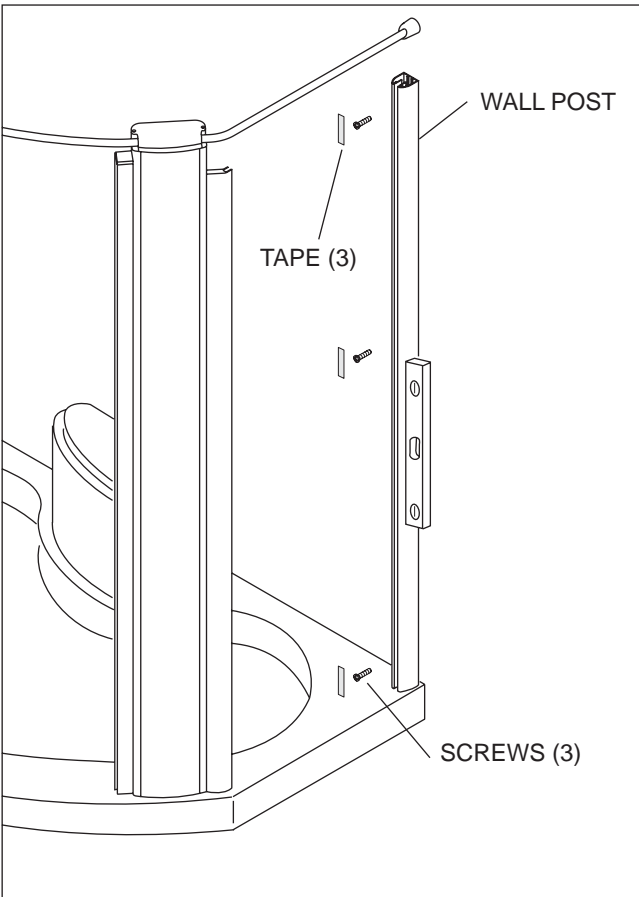
## STEP 9

Position the fixed glass wall post so that the glass side panel will be parallel with the outside edge of the base. The fixed glass wall post position may vary slightly due to the anchored location of the water tower.



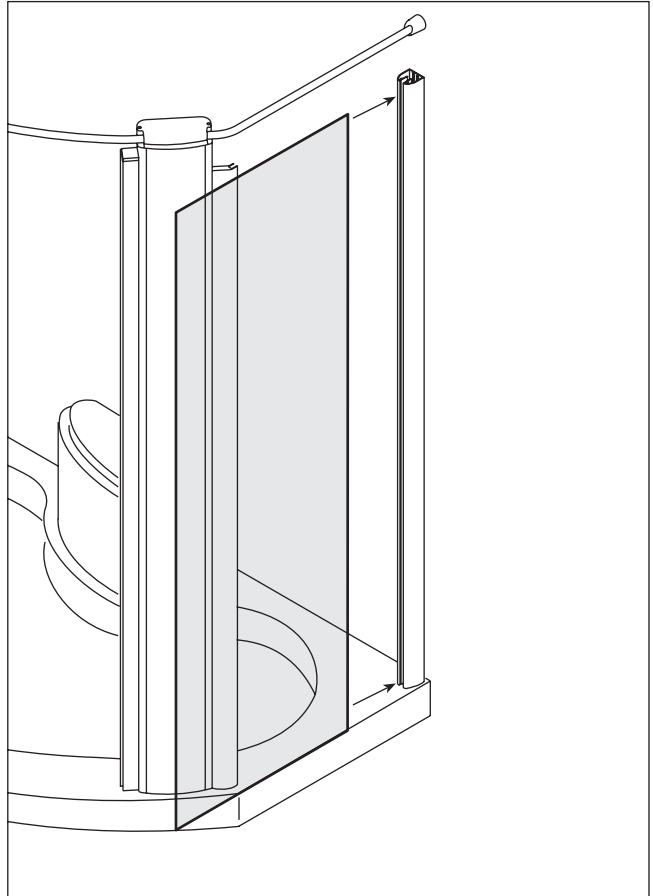
## STEP 10

Level the post in its proper position and mark where screw holes are to be drilled. Drill 3/16" holes and secure with wall anchors and screws provided. Apply tape (provided) firmly over screw heads.



## STEP 11

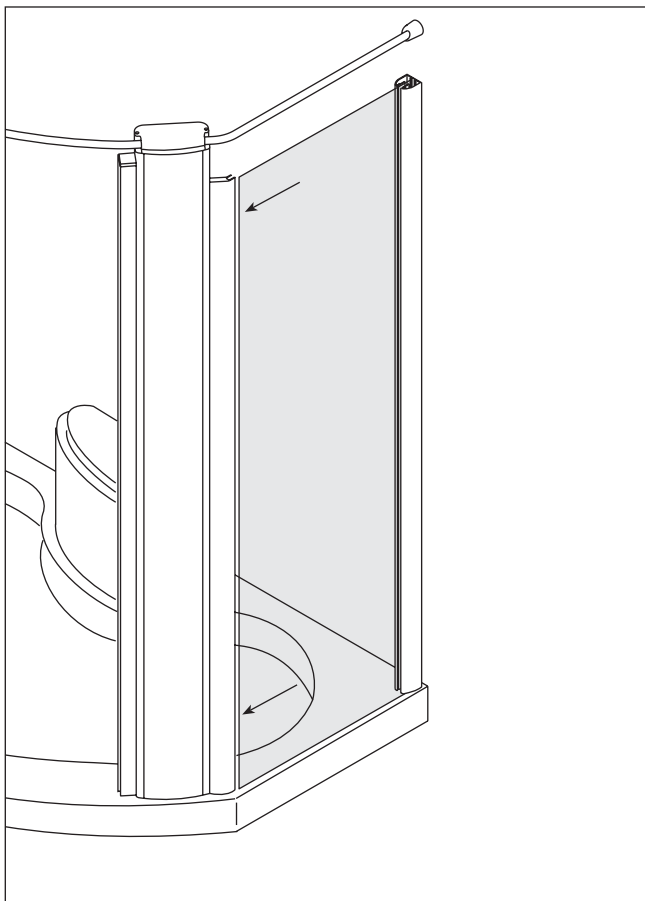
Slide fixed glass panel all the way into wall post.



## TOWER AND DOOR INSTALLATION

### STEP 12

Align the glass with glass jamb and insert. Repeat STEPS 8 through STEP 10 for the other fixed glass panel.

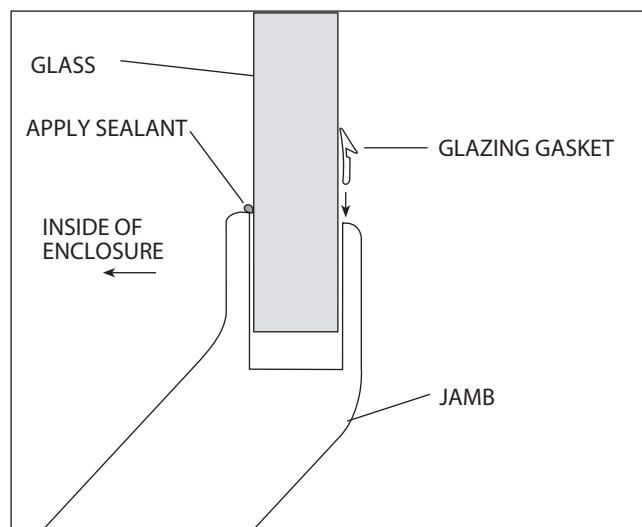
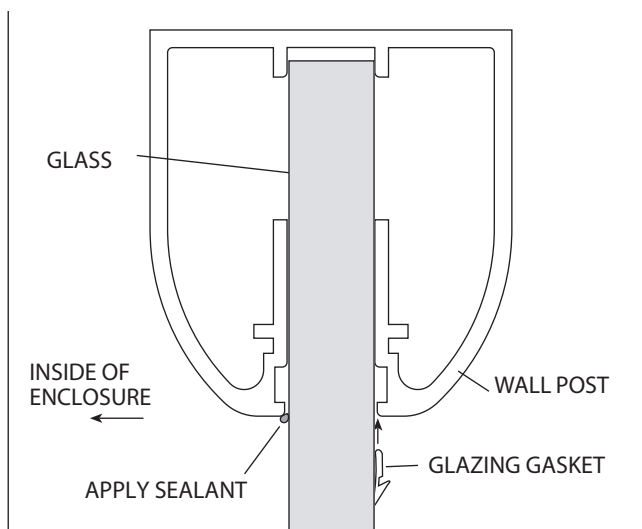


### STEP 13

Install glazing gasket on fixed glass walls post and jambs on the outside. Note orientation of gasket. Soapy water may help to insert the glazing gasket.

NOTE: The glazing is to be installed on the **outside** of enclosure for both wall posts and tower jambs.

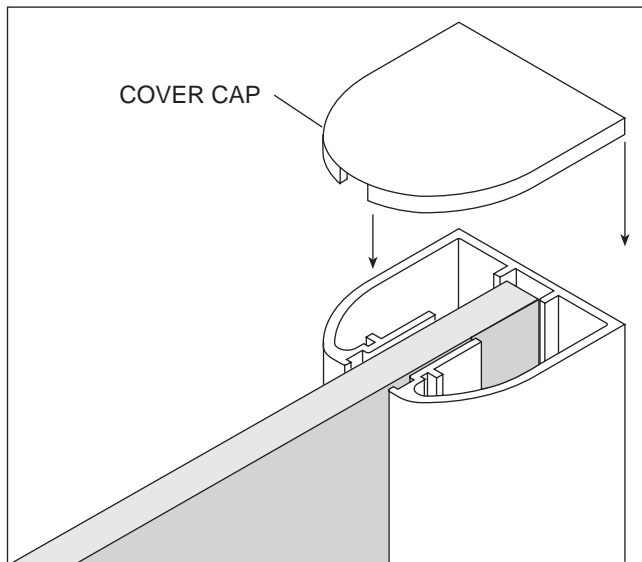
Clean any soapy residue off the glass and towers. On the inside of enclosure, apply sealant to entire length of glass and wall post as well as the entire length of the glass and tower jamb.



# TOWERS AND DOOR INSTALLATION

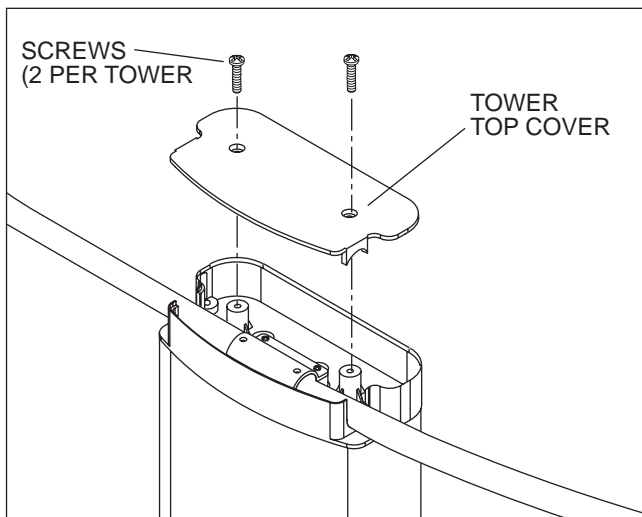
## STEP 14

Install fixed glass cover cap on wall post.



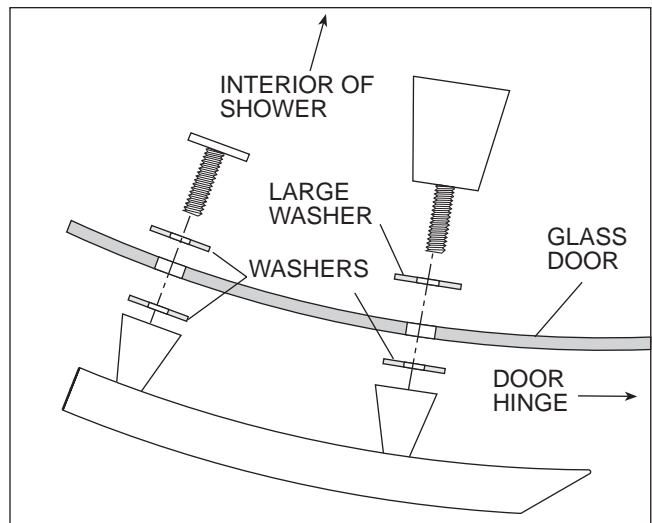
## STEP 15

Install all towers' top cover



## STEP 16

Install handles as shown. Note orientation of handle. Hand tighten knob. Flat screw has a screw driver notch. Do not over tighten either knob or flat screw as cracked glass may result.

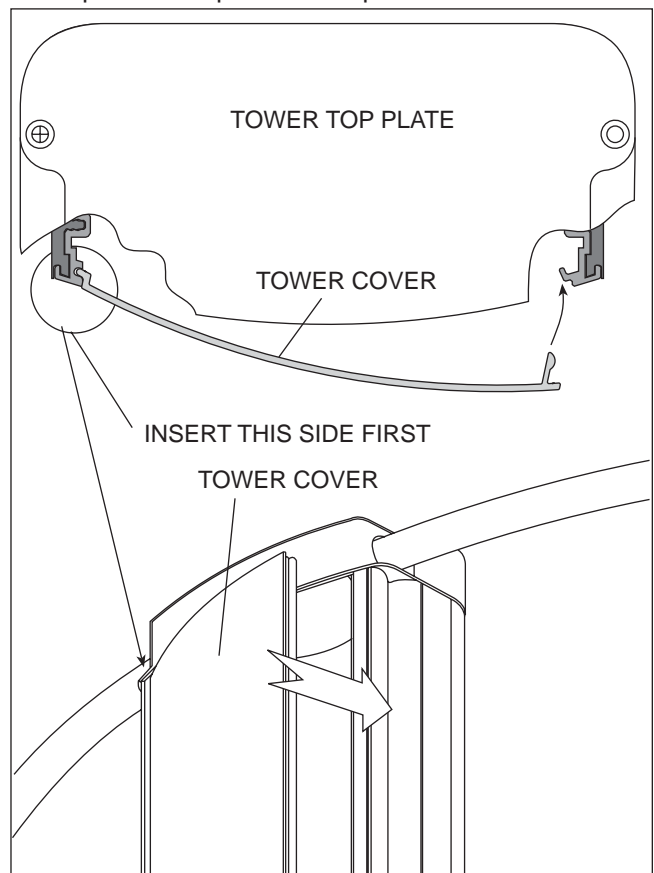


## STEP 17

Turn on water supply and check for leaks. Correct any leaks before continuing the installation.

## STEP 18

Install all tower cover panels as shown. Align left side of tower cover panel with inside seat in each tower. Begin each panel's snap in at the top of the tower.

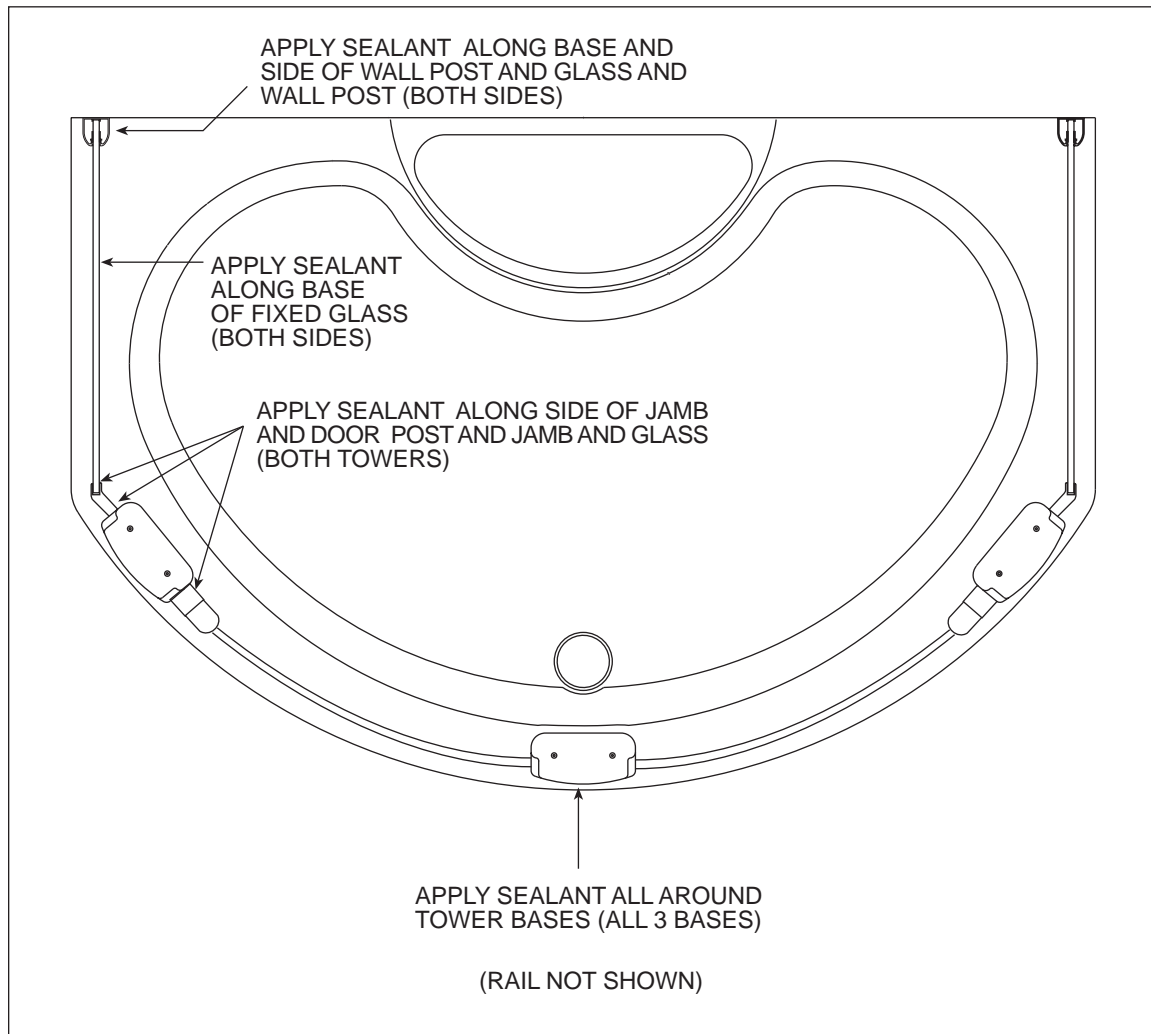




## TOWERS AND DOOR INSTALLATION

### STEP 19

Seal all around all bases of towers with sealant. Also seal the inside of both wall posts, jambs, door posts and bottom of both glass side panels on the inside only.



### STEP 20

Remove tape over drain and any other masking or protective covers. Proceed with clean up.

## CLEAN UP AFTER TOWERS AND DOOR INSTALLATION

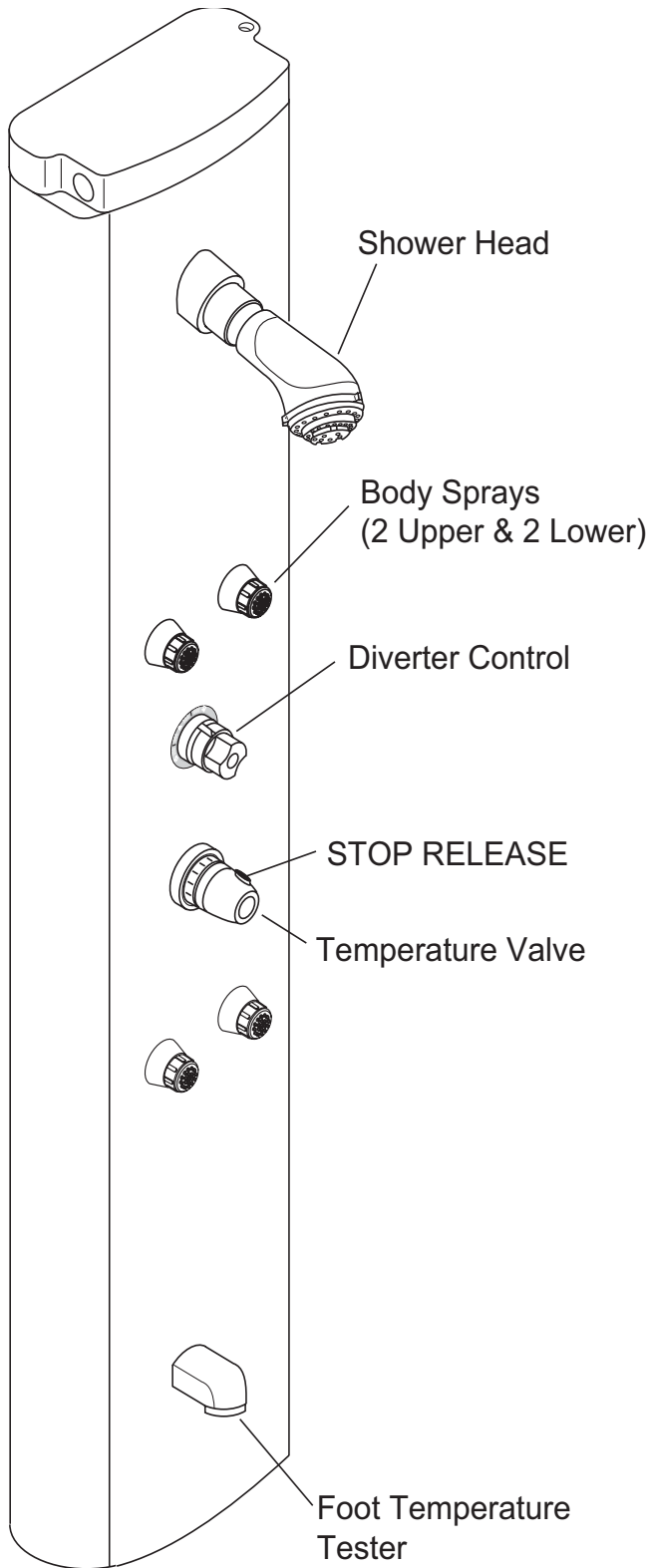
To avoid dulling and scratching the tower surfaces and support rails never use abrasive cleaners. Use a mild liquid detergent and warm water clean soiled surfaces. Use a mild glass cleaner to clean glass panels and doors.

Paint, tar, or other difficult stains can be removed with normal glass and finish cleaners. Use caution when applying these products to coated metal surfaces. Test in an inconspicuous place before using. **Do not use abrasives, alcohol, acetone, ammonia or other solvents on any tower component.**

Scratches to towers and metal components may not buff or polish out requiring surface refinishing or replacement. Consult your Jacuzzi Whirlpool Bath® dealer or visit our website at: <http://jacuzzi.com/> for a list of authorized finish contractors.

# OPERATION

## SHOWER TOWERS

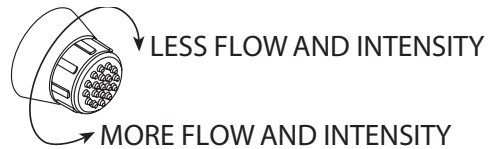


### Shower Head

There are three selectable positions: Jet, Normal Pulsating, and Aerated flow.

### Body Sprays (2 Upper and 2 Lower)

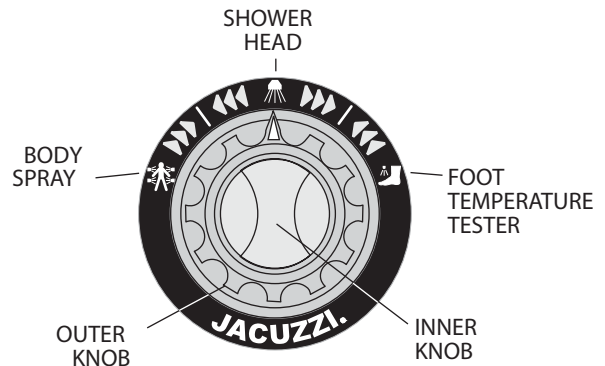
To adjust the flow and intensity, turn as shown. The spray can also be turned to change the direction of the spray.



### Diverter Control

To turn ON water, turn the inner knob clockwise and adjust for more or less flow.

The outer knob will divert the water to body sprays, shower head (position shown), and foot temperature tester. Water flow is proportional to each function when outer knob is positioned between main functions. When outer knob is pointing to white line on outer dial face (half way between main functions) water will be diverted equally.



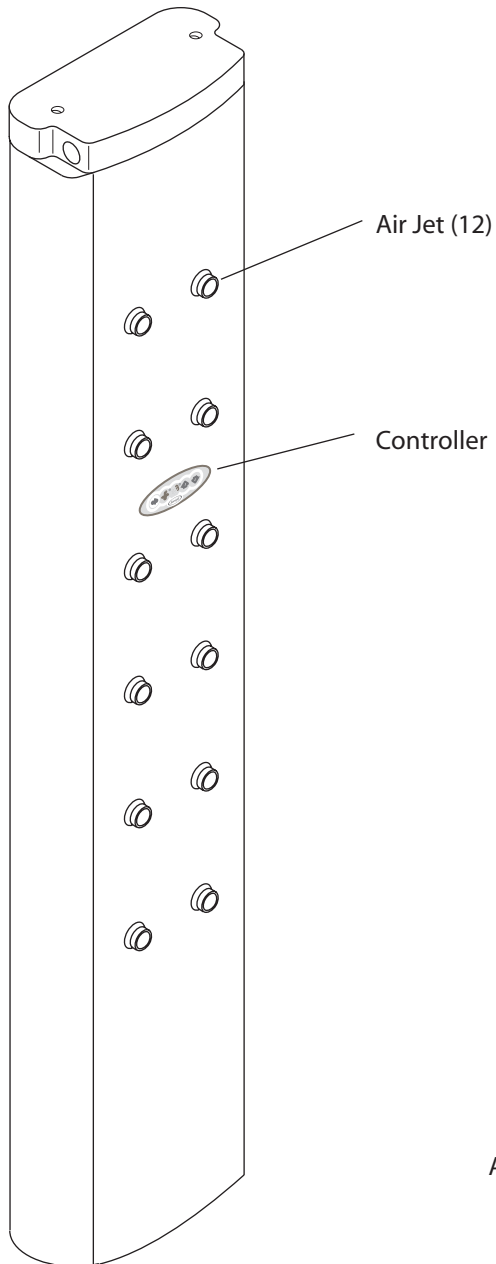
### Temperature Valve

The temperature of the mixed water is adjusted by means of the graduated handle. This handle has as safety stop set at 100° F (38°C). To increase the temperature, press the RED button to release the stop and continue turning the handle.

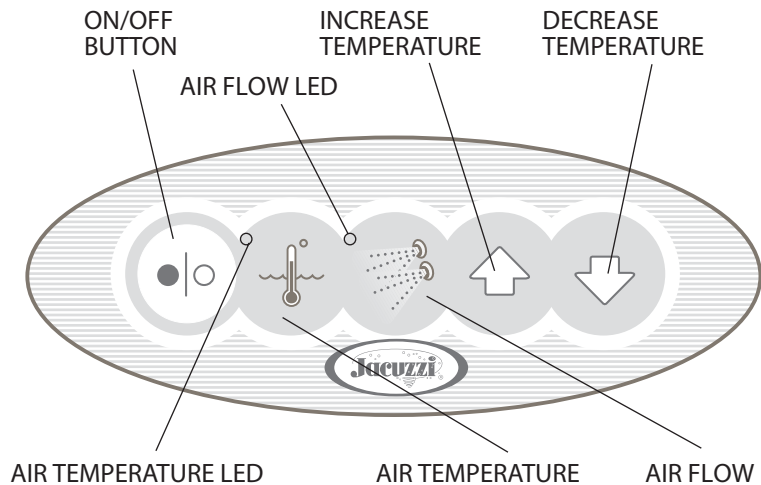
### Foot Temperature Tester

# OPERATION

## AIR TOWER



## AIR TOWER CONTROLS



### CONTROLLER

To turn ON press ON/OFF button or turn ON water at either shower tower. The unit will then automatically go into a preheat cycle to heat the air transmission pipes. There will be a 5 (five) minute pause while the system preheats. During this time both LEDs will be ON. When ready for drying, press the ON/OFF button. Heat and air flow will rise together (only at initial start-up). After reaching the desired flow, the temperature may be decreased or increased using the Temperature button. The air flow may also be adjusted.

Note: Temperature and air flow are factory set with a predetermined heat and air speed.

## MAINTENANCE

To remove any lime scale from the shower head and body sprays, rub with your finger the outer ring of nozzles on the shower head and all nozzles on the body spray.

To clean the foot temperature tester, unscrew the nozzle and back flush the wire mesh filter. Do not use metal tools (such as scissors or screwdrivers, etc.) to clean the body sprays, shower head or foot temperature tester.

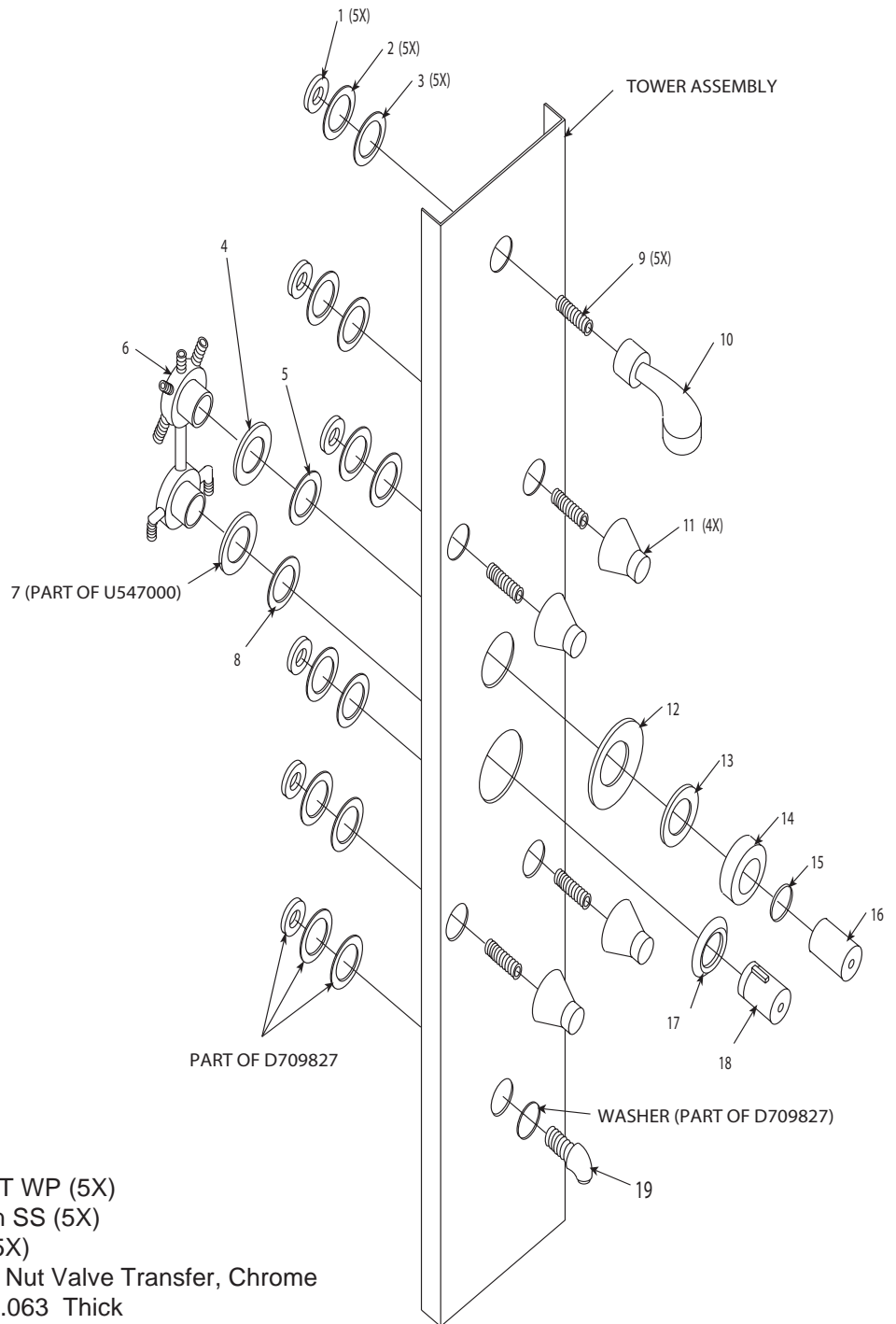
To clean the base, simply use a mild, nonabrasive liquid detergent solution. You can protect and restore the gloss to a dulled acrylic surface by applying Meguiar's #10 Mirror Glaze, a product specifically designed for use on acrylic finishes. If Meguiar's is not available, an acrylic polish of equal quality or automotive paste wax is acceptable.

The glass can be cleaned with any glass-cleaning product available on the market.

**Do not use abrasives, alcohol, acetone, ammonia or other solvents on any tower component.**

The thermostatic valve has 2 screen filters that should be cleaned periodically. To remove the filters turn off hot and cold supplies. Remove each water tower cover. Disconnect the supply hoses from the valve and remove filter from the hose. Remove any debris. Reinstallation is the reverse of removal. Turn on hot and cold supply and check for leaks before replacing tower cover.

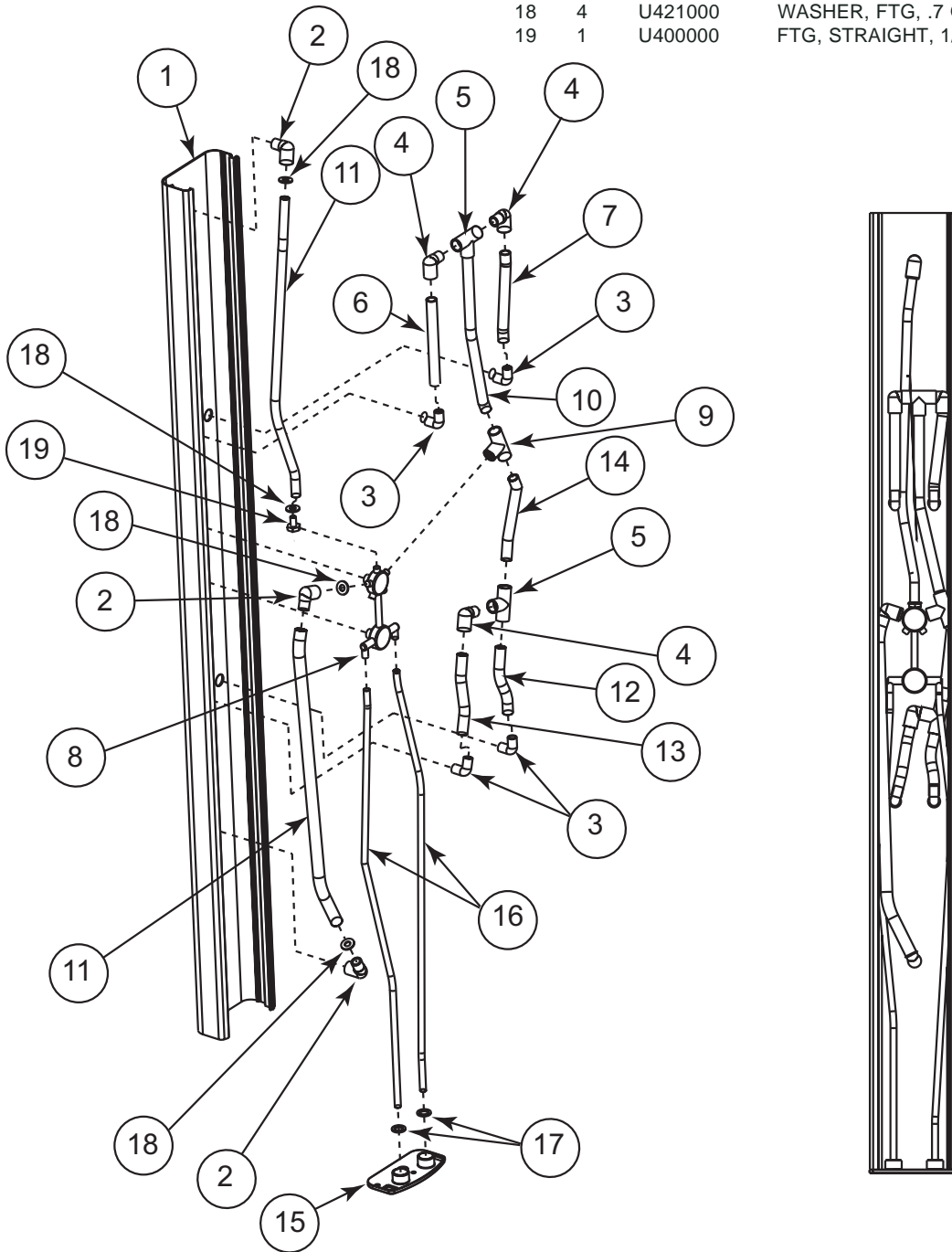
# TOWER FIXTURES REPAIR PARTS



1. C546000 Lock Nut, 1/2" NPT WP (5X)
2. G559000 Ring Compression SS (5X)
3. G560000 Washer Rubber (5X)
4. U546000 (Part of U547000) Nut Valve Transfer, Chrome
5. U566000 Gasket, 1.41 ID x .063 Thick
6. U547000 Valve, Mixer/Transfer Assembly
7. U550827 (Part of U547000) 567000 Nut, Mixer Valve, Chrome
8. U567000 Gasket, 1.9 ID x .063 Thick
9. G432000 Nipple, 1/2" Close
10. U217827 Shower Head, Chrome
11. U215827 Jet, Wall Body, Chrome
12. U219827 Face Plate, Transfer Valve, Chrome
13. U546827 Nut Transfer Valve, Chrome
14. U545827 Collar, Transfer Valve, Chrome
15. U544000 O-Ring, Transfer Valve
16. U543827 Knob, Flow Control, Chrome
17. U549827 Collar, Mixer Valve, Chrome
18. U548827 Knob, Mixer Valve Chrome
19. D709827 Fill Spout Assembly, Stubby, Chrome

# TOWER PLUMBING REPAIR PARTS

ITEM NO.	QTY.	PART NO.	DESCRIPTION
1	1	Y221000	TOWER, 2 PERSON SHOWER
2	3	U401000	FTG, ELL, .50" FST x 10 mm BARB
3	4	Y724000	1/2" ELBOW, SLIP x THREAD, SCH 40
4	3	7164000	ELL, STREET, .50", 90°
5	2	0455000	1/2" TEE
6	1	7269000	1/2" PIPE, FLEX 5 1/2" LG
7	1	7269000	1/2" PIPE, FLEX 5 1/2" LG
8	1	U547000	VALVE, MIXER/TRANSFER ASSEMBLY
9	1	Y723000	1/2" TEE, S x S x THREAD, SCH 40
10	1	7269000	1/2" PIPE, FLEX 13.75" LG
11	2	U405000	TUBING, PVC REINFORCED, 31.00" LG
12	1	7269000	1/2" PIPE, FLEX 5" LG
13	1	7269000	1/2" PIPE, FLEX 6" LG
14	1	7269000	1/2" PIPE, FLEX 8" LG
15	1	U137827	CAP, BOTTOM, TOWER, CH
16	2	U540000	1/2" FLEX HOSE, 38", FEMALE SWIVEL HEADS
17	2	GASKET	GASKET SUPPLIED WITH HOSE
18	4	U421000	WASHER, FTG, .7 OD
19	1	U400000	FTG, STRAIGHT, 1/2" FTS x 10 mm BARB





---

**PRODUCT SPECIFICATIONS ARE SUBJECT TO CHANGE WITHOUT NOTICE.  
USE INSTALLATION INSTRUCTIONS SUPPLIED WITH PRODUCT.**

Jacuzzi Whirlpool Bath® has obtained applicable code (standards) listings generally available on a national basis for products of this type. It is the responsibility of the installer/owner to determine specific local code compliance prior to installation of the product. Jacuzzi Whirlpool Bath® makes no representation or warranty regarding, and will not be responsible for any code compliance.

---

**Jacuzzi Whirlpool Bath National Headquarters**

P.O. Box 702168, Dallas, TX 75370-2168

**Service Support:** (800) 288-4002

Jacuzzi Whirlpool Bath® BY82000 03/05



Printed on Recycled Paper

Printed in U.S.A.



# Jacuzzi Whirlpool Bath Limited Warranty Designer Collection Shower Product

## WARRANTY COVERAGE

Jacuzzi Whirlpool Bath (the "Company") offers the following express limited warranty to the original purchaser of any Jacuzzi Whirlpool Bath Designer Collection Bath Product ("unit") who purchases the product for personal or single family use ("user"). The Company will repair or replace, at its option, the unit or its equipment in accordance with the following terms and conditions.

### TWO YEAR LIMITED WARRANTY ON BATHS

Our limited warranty on Designer Collection Bath products is for two (2) years. Our warranty covers the unit and factory-installed components against defects in material or workmanship. Warranty coverage begins on the date the unit was originally purchased by the user.

### NINETY DAY (PARTS ONLY) LIMITED WARRANTY ON OPTIONS AND ACCESSORIES

Our warranty on options and accessories manufactured by the Company is for ninety (90) days for parts only. Our warranty covers options and accessories manufactured by the Company against defects of material or workmanship. Warranty coverage begins on the date the option or accessory was originally purchased by the user.

## WARRANTY LIMITATIONS

Our limited warranty does not cover defects, damage, or failure caused by the common carrier, installer, user, or other person, or resulting from, without limitation, any of the following: careless handling (lifting unit by plumbing, abrading finish, etc.); modification of any type for any reason (including modification to meet local codes); improper installation (including installation not in accordance with instructions and specifications provided with the unit); connections supplied by the installer of the equipment; improper voltage supply or unauthorized electrical modification; misuse; incorrect operation, or lack of proper routine maintenance; operation of the unit without specified minimum amount of water or at inappropriate water temperature; use of abrasive or improper cleaners; or acts of God, such as lightning, floods, earthquakes, etc.

In addition, THE COMPANY WILL NOT BE RESPONSIBLE FOR INCIDENTAL OR CONSEQUENTIAL DAMAGES or losses arising from any cause (e.g., water damage to carpet, ceiling, loss of use, etc.) including its own negligence; damages to, respecting, or resulting from: plated parts when pool and/or spa chemicals are used in the unit; optional bath equipment not manufactured by the Company but supplied by Dealer, installer or the Company; the unit's prior usage as an operational display; or defects that should have been discovered before installation. This limited warranty does not include: labor, transportation, or other costs incurred in the removal and/or reinstallation of the original unit and/or installation of a replacement unit; any costs relating to obtaining access for repair; or loss of use damage, including loss of sales, profit or business advantage of any kind under any circumstances. Bath units are excluded from any warranty coverage if any addition, deletion, or modification of any kind whatsoever has been made to the unit (or to any component).

Warranty coverage is provided in the United States of America and Canada.

## EXCLUSION OF IMPLIED WARRANTIES

IMPLIED WARRANTIES OF MERCHANTABILITY AND FITNESS FOR A PARTICULAR PURPOSE ARE DISCLAIMED ALTOGETHER OR TO THE FULL EXTENT ALLOWED BY LAW.

NOTICE: This warranty gives you specific legal rights, and you may also have other rights which vary from state to state. There are no warranties applicable to Jacuzzi Whirlpool Bath products except as expressly stated herein or as implied by applicable state and federal laws. The Company will not be responsible for any statements or representations made in any form that go beyond, are broader than or are inconsistent with any authorized literature or specifications furnished by the Company.

Some states do not allow limitations on how long an implied warranty lasts, or the exclusion or limitation of incidental or consequential damages, so the above limitations and exclusions may not apply to you.

## RETURN OF WARRANTY CARD

The attached Warranty Registration Card MUST be filled out by the purchaser within thirty (30) days from purchase and mailed to Jacuzzi Whirlpool Bath in order for this warranty to become effective.



Jacuzzi Whirlpool Bath  
P.O. Box 702168  
Dallas, TX 75370-2168

## RESPONSIBILITIES OF OTHERS

Inspecting the unit prior to installation is the responsibility of the installer or building contractor who acts on behalf of the user. They are responsible for ensuring the unit is free of defect or damage. Notices are placed on and in the unit and on the shipping carton advising the installer of this responsibility. In the event of a problem, the unit must not be installed. The Company is not responsible for failures or damage that could have been discovered, repaired, or avoided by proper inspection and testing prior to installation.

Damage occurring in transit is the responsibility of the carrier. The user or installer MUST open the crate and inspect the unit for damage when it is delivered. If damage is discovered, it must be reported immediately to the seller and the carrier in writing, and an inspection requested. Failure of the carrier to respond should be reported to the seller and the carrier. Your freight claims should be filed promptly thereafter.

It is the responsibility of the installer, building contractor, or user to provide access for service. The Company is not responsible for any costs relating to obtaining access for repair. The user shall bear such costs and, if appropriate, must seek recovery from the installer.

Damage occurring to the unit during installation is the responsibility of the installer and/or building contractor and damage occurring thereafter is the responsibility of the user.

Failure of any optional equipment is the sole responsibility of the equipment manufacturer. (Options and accessories manufactured by the Company are warranted for ninety (90) days from the original date of purchase for parts only.)

The Distributor or Dealer is responsible for knowing local code requirements and notifying the installing contractor and/or user of these requirements at the time of purchase. The Company is not responsible for costs to modify any product to obtain any code approval, such as city, county, or state building codes in U.S.A. or municipal or provincial codes in Canada.

## WARRANTY SERVICE

For the customer's benefit, the Company maintains a list of independent service personnel to perform required warranty service repairs. Such firms are not agents or representatives of the Company and cannot bind the Company by words or conduct.

The Company will provide the warranty service described above when the following conditions have been met: the failure is of the nature or type covered by the warranty; the user has informed an Authorized Jacuzzi Whirlpool Bath Service Agent or Warranty Service Department Representative of the nature of the problem during the warranty period; conclusive evidence (e.g., proof of purchase or installation) is provided to the foregoing by the user proving that the failure occurred or was discovered within the warranty period; an authorized independent service person or Company representative has been permitted to inspect the unit during regular business hours within a reasonable time after the problem was reported by the user.

In order to obtain warranty service, consult your local telephone book for the location of the nearest Jacuzzi Whirlpool Bath Authorized Service Agent. Describe the problem and the Authorized Service Agent will inspect the unit and provide the required warranty service.

If you are unable to contact a Jacuzzi Whirlpool Bath Authorized Service Agent, call or write:

Jacuzzi Whirlpool Bath  
Warranty Service Department  
P.O. Box 702168  
Dallas, TX 75370-2168  
Call: 1-(800) 288-4002

To obtain warranty replacement for factory-installed components for Company supplied options and accessories manufactured and supplied by the Company, call or write the above. Provide a description of the problem and proof of purchase. You will be instructed how to obtain replacements and where to return, at your expense, the failed component(s), option(s), or accessory(ies).

All replacement parts, equipment, and repairs shall assume the remaining warranty period of the part(s) replaced.

The Company's warranty obligation shall be discharged upon tender of replacement or repair. The customer's refusal to accept the tender terminates the Company's warranty obligation.

Jacuzzi Whirlpool Bath® BY82000 03/05

Ninety-Day  
Parts Only  
Limited Warranty  
On  
Accessory(ies)

Ninety-Day  
Parts Only  
Limited Warranty  
On  
Accessory(ies)



**Warranty  
Registration Card**

This card must be filled out and returned to the address printed on the other side within thirty (30) days from date of purchase in order for this warranty to be come effective.

Purchaser's Name \_\_\_\_\_  
Purchaser's Address \_\_\_\_\_

City \_\_\_\_\_ State \_\_\_\_\_ Zip \_\_\_\_\_

Date of Purchase \_\_\_\_\_

Model Name \_\_\_\_\_

Serial Number \_\_\_\_\_

Dealer's Name \_\_\_\_\_

Dealer's Address \_\_\_\_\_

1. How did you first hear about this Jacuzzi® product?  
 Advertisement  Article in Magazine/Newspaper  
 Visited Dealer/Plumbing Supplier  Yellow Pages  
 Builder/Plumber/Remodeler  Decorator/Architect  
 Visited Retailer/Home Center/Store  
 Word of Mouth... Friend/Relative/Acquaintance  
 Other (Please Describe) \_\_\_\_\_
2. Who first gave you specific information about this product (specifications, prices, etc.)?  
 Dealer/Plumbing Supplier  Builder  Remodeler  
 Plumbing Contractor  Retailer/Home Center/Store  
 Decorator/Architect  Already Installed
3. What was the main reason for purchase?  
 Styling  Warranty Service  Product Features  
 Brand Name  Price  Hydrotherapy  
 Home Resale  
 Other \_\_\_\_\_
4. Who finally decided which product you would buy?  
 Self  Spouse  Self and Spouse Together  
 Other Family Member  Designer/Architect  
 Builder/Plumber/Remodeler  Already Installed  
 Who installed?  Already installed/New Home  
 Contractor/Plumber when remodeling  
 Self/Spouse when remodeling  
 Other \_\_\_\_\_
5. What is the current market value of this property?  
 Please estimate \$ \_\_\_\_\_
6. What is the age of the head of the household? \_\_\_\_\_ years
7. What other manufacturers did you consider?  
 Eijler  Lasco  Price Pfister  
 Kohler  American Standard  Sterling  
 Other (Specify) \_\_\_\_\_
8. How long did you shop before purchasing unit?  
 1 day  2 months - 6 months  
 2 - 7 days  6 months - 1 year  
 1 week - 2 weeks  1 year - 2 years  
 2 weeks - 4 weeks  +2 years
9. Approximately how long have you lived in this home?  
 1 month - 2 months  
 2 months - 6 months  
 6 months - 1 year  
 1 year - 2 years  
 +2 years
10. Please indicate, approximately, the total annual income of your household.  
 Up to \$24,999  \$50,000 to \$74,999  
 \$25,000 to \$29,999  \$75,000 to \$99,999  
 \$30,000 to \$39,999  \$100,000 to \$149,999  
 \$40,000 to \$49,999  \$150,000 and Above
11. Was your purchase process?  
 Very easy  Easy  Difficult  Very Difficult
12. How technically aware were you of the patented Jacuzzi® jet system prior to your purchase?  
 Not aware  Somewhat aware  Very aware

## Free Manuals Download Website

<http://myh66.com>

<http://usermanuals.us>

<http://www.somanuals.com>

<http://www.4manuals.cc>

<http://www.manual-lib.com>

<http://www.404manual.com>

<http://www.luxmanual.com>

<http://aubethermostatmanual.com>

Golf course search by state

<http://golfingnear.com>

Email search by domain

<http://emailbydomain.com>

Auto manuals search

<http://auto.somanuals.com>

TV manuals search

<http://tv.somanuals.com>