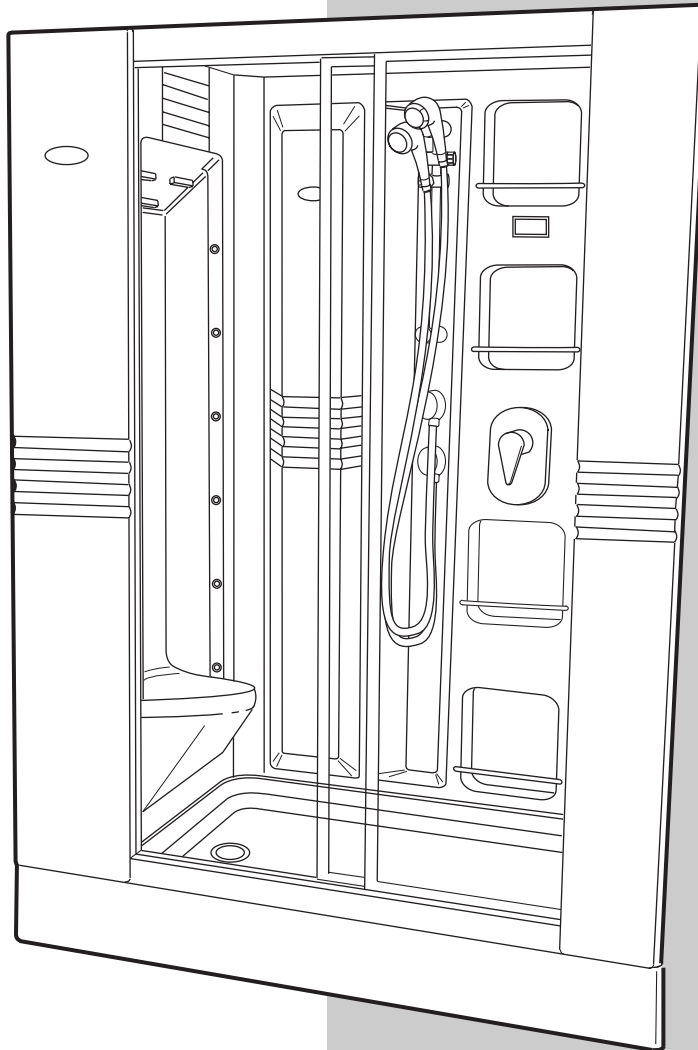


OWNER'S MANUAL

Assembly, Installation
& Operating Instructions



J-DREAM IITM Shower System

IMPORTANT SAFETY INFORMATION

READ ALL INSTALLATION INSTRUCTIONS

Jacuzzi Whirlpool Bath does not recommend prolonged periods of use of the steamer. Prolonged use of the steam system can raise the internal human body temperature excessively and impair the body's ability to regulate its internal temperature (resulting in hyperthermia). Consult your physician about your safety and comfort before using the steam system; limit your use of steam to 10-15 minutes until you are certain of your body's reaction. A cooling shower spray can be used simultaneously with the steam to assist in regulating your body temperature.

Alcohol, certain drugs or medications such as tranquilizers affect a person's ability to withstand high temperatures and may produce dangerous side effects. Do not use alcohol or drugs when using the J-Dream II.

The elderly, the infirm, and children should not use the J-Dream II unattended. Pregnant women and people with heart conditions should consult their physicians before using the steamer.

The wet surface of the J-Dream II can be slippery. Use care when entering and exiting.

When using the J-Dream II, basic safety precautions should always be followed:

This unit is to be connected to a Ground Fault Circuit Interrupter (GFCI). This is also known as an Earth Leakage Circuit Breaker (ELCB). Check at least once a month to be sure this is operational. With the unit operating, push in the test button. The unit should stop operating and the trip indicator should appear. Restore the power; push to OFF, then turn ON. The unit should now operate normally. If the interrupter fails to operate in this manner, there is a fault in the electrical system or the GFCI and you may not be protected from an electrical shock. Turn off the power and have a qualified electrician check the circuit before using it again.

Do not use electrically connected devices such as television, radio, or stereo speakers, lights, hair dryers, or telephones within 1.5 m (5 feet) of the J-Dream II while in use.

Read manufacturer's safety information with all optional equipment.

Note: This is a professional grade product. A good knowledge of construction techniques, plumbing and electrical installation according to codes are required for proper installation and user satisfaction. We recommend that a licensed contractor perform the installation of all Jacuzzi Whirlpool Bath products. Our warranty does not cover improper installation related problems.

Save These Instructions for Future Use.

Owner's Record

Date Purchased _____

Purchased From _____

Installed By _____

Serial Number _____

(See page 2 for location of serial number.)

Contents

Part I Assembly & Installation

Specifications _____	2
General Information _____	3-4
Packaging _____	5
Hardware Identification _____	6
Rough-in _____	7
Base and Drain _____	8-9
Installation of Panels _____	10-16
Door Frame _____	17
Top Frame _____	18
Hose and Electrical Connections _____	19-21
Bonding _____	22
Final Plumbing _____	23
Front Panels _____	24
Cover _____	25
Completing the Installation _____	26
Part II Operation and Maintenance _____	27-30
Warranty _____	33-34

Inspection and Shipping Claim

Check for shipping damage upon receipt of the J-Dream II. Jacuzzi Whirlpool Bath is not responsible for damage to the J-Dream II sustained during shipping. If damage is evident before unpacking, see instructions regarding shipping claims on the outside of the carton and immediately file a claim with the carrier.

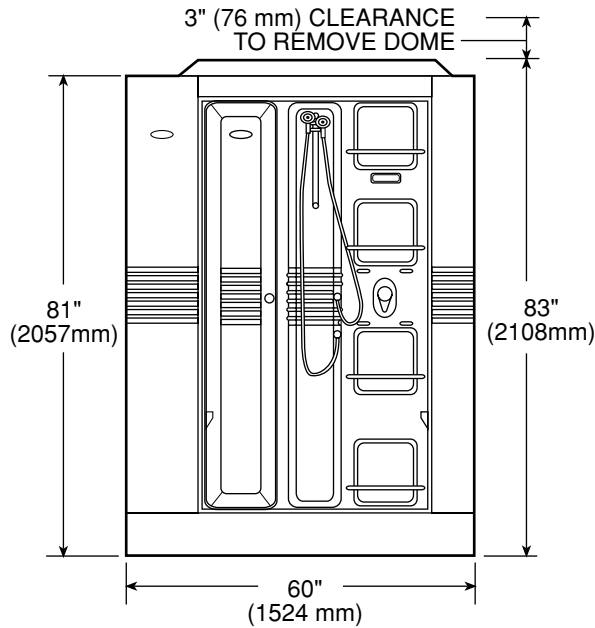
Once the J-Dream II has been removed from the carton and before it is permanently installed, check the parts completely for damage resulting from shipping or handling. All Jacuzzi Whirlpool Bath products are factory tested for proper operation and watertight connections prior to shipping. If problems are detected, immediately notify your Jacuzzi Whirlpool Bath dealer or Authorized Service Agent, or call Jacuzzi Whirlpool Bath, (800) 288-4002, for Warranty Service.

NOTE: Damage or defects which could have been discovered and repaired prior to installation and which are claimed after final installation of the J-Dream II, are excluded from our warranty.

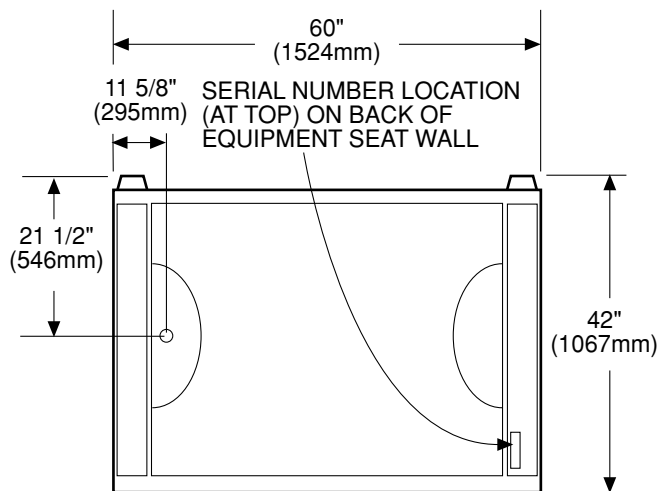
J-Dream II Owner's Manual



FRONT VIEW



TOP VIEW



SPECIFICATIONS

DIMENSIONS	TOTAL WEIGHT/ FLOOR LOADING	REQUIRED WATER SUPPLY	PRODUCT WEIGHT	ELECTRICAL REQUIREMENTS*	SHIPPING WEIGHT
60" (1524mm)L 42" (1067mm)W 83" (2108mm)H	833 lb (379 kg) 47.6 lb/ft ² (233 kg/m ²)	6 gpm (23 liter/min) @ 30-65 psi (2.1-4.6 Bar)	525 lb (239 kg)	240 VAC, 3-Wire 20 Amp, 50-60 Hz (Must be GFCI Protected)	849 lb (386 kg)

* Unit supplied with a 240 VAC, 20 Amp, 3 wire plug (NEMA 6-20P).

PRODUCT SPECIFICATIONS ARE SUBJECT TO CHANGE WITHOUT NOTICE.

J-Dream II Owner's Manual

Read all instructions before beginning assembly and installation.

General Assembly Information

The J-Dream II shower unit is installed into a niche with the drain towards the left hand side of the unit as you face the shower door. This manual details the assembly, installation and operation. After the drain, water supply stub-out, and electrical supply are provided, the shower unit should be assembled freestanding away from the walls of the room. Next connect and static test the water supply lines. The electrical connections should then be completed before the unit is moved into final position, drain fit is rechecked, and assembly is completed before final testing.

Room Construction: Important

The room where the shower unit is to be located must be constructed of materials that can withstand excessive amounts of moisture and condensation. Large amounts of steam can be released into the room when the shower door is opened. Providing natural or forced ventilation of the room will help maintain comfort and minimize moisture damage to the building. Jacuzzi Whirlpool Bath is not responsible for damages resulting from excess moisture or water spillage. Consult an architect or engineer for aid in designing your interior structure. **Do not install heat lamps directly above the shower unit. The clear top will deform from excess heat.**

Water Supply Required

The water supply must be capable of delivering 6 gallons per minute minimum to the unit within a pressure range of 30-65 PSI (2.1-4.6 BAR). Pressures in excess of 65 PSI (4.6 BAR) must be reduced with a regulator in the supply line. This is the amount of water and pressure required to ensure adequate performance of the J-Dream II, it is not the water consumption rate.

NOTE: DO NOT provide less than minimum flow specified. Negative pressure under certain conditions could cause a health hazard by fouling of the house potable water supply.

Electrical Power Required

See Specifications for power required. Power supplied to the unit must be through a *GFCI protected, dedicated circuit with proper bonding and grounding. The GFCI must be located in an area that will allow access for frequent testing.

* GFCI (Ground Fault Circuit Interrupter) is also known as an ELCB (Earth Leakage Circuit Breaker.) This device must be a type approved by electrical codes and standards to protect users from potential electrical hazards.

J-Dream II Owner's Manual

Electrical requirements

Your J-Dream II, as it comes from the factory, requires a GFCI protected 240 VAC 3-wire 20 AMP 50-60 Hz circuit (2 conductor with ground) for single (1) phase electrical service, and must be in a separate circuit having no other appliance connected in that circuit. If you do not have this kind of circuit, a qualified electrician should be called in to install the necessary wiring. Inadequately sized wiring or locating the unit too far from the main service panel may cause a voltage drop. A drop in voltage can cause the unit to malfunction and bring about permanent damage to the shower's electrical system. The circuit ground wire must be provided to take advantage of the designed-in safety features of the J-Dream II. Bond according to procedure described on page 23. **Caution: Without proper grounding and bonding, a system malfunction may cause fatal shock.**

Electrical precautions

Lighting and electrical receptacles must be located at least 5 feet (1.5 meters) from the J-Dream II. Lighting located between 5 feet and 10 feet (1.5 meters and 3 meters) from the J-Dream II must be on a circuit protected by a GFCI. Do not use electrically connected devices, such as television, radio, telephones, stereo speakers, lights or cooking devices within 5 feet of the J-Dream II while it is in use.

Ventilation

Water which drips on the floor during exit from the J-Dream II may cause a walking hazard and/or structural damage unless proper waterproof building materials are used in the area surrounding the unit. Take into consideration, also, the high room humidity which will exist due to use of the steamer. Providing natural or forced ventilation of the room will help maintain comfort and minimize moisture damage to the building. Jacuzzi Whirlpool Bath is not responsible for damages resulting from excess moisture or water spillage. Consult an architect or engineer for aid in designing your installation.

Maintenance

Cleaning the J-Dream II

To clean your J-Dream II, simply use a mild nonabrasive liquid detergent or commercially prepared bathtub cleaners. **Do not use abrasive cleaners.** You can protect and restore the gloss to a dulled surface by applying a plastic polish specifically designed for use on acrylic finishes (methylmethacrylate). If an acrylic polish is not available, an automotive paste wax will do.

Repairs to the surface

Minor scratches which do not penetrate the color finish (acrylic) can be removed with 600-grit wet/dry sandpaper. Restore the glossy finish with an acrylic polish or a comparable automotive paste wax.

Major scratches or gouges which penetrate the acrylic surface will require refinishing. Ask your dealer for special instructions.

J-Dream II Owner's Manual

J-Dream II Packaging

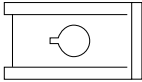
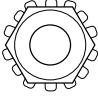
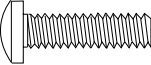
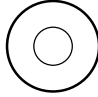
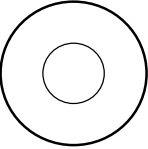
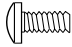
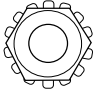
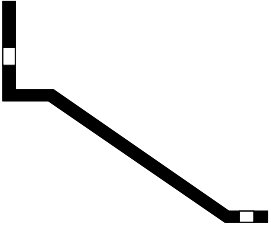


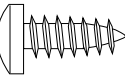
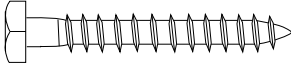
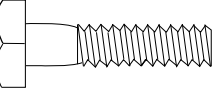
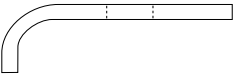
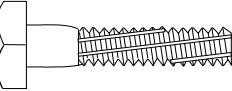

6 cartons packed together on a wooden crate.

Contents of cartons:

- Wall Panels
- Door Frame
- Base/Cover (includes product accessory pack and owners manual)
- Back Wall
- Seat Wall
- Equipment/Seat Wall

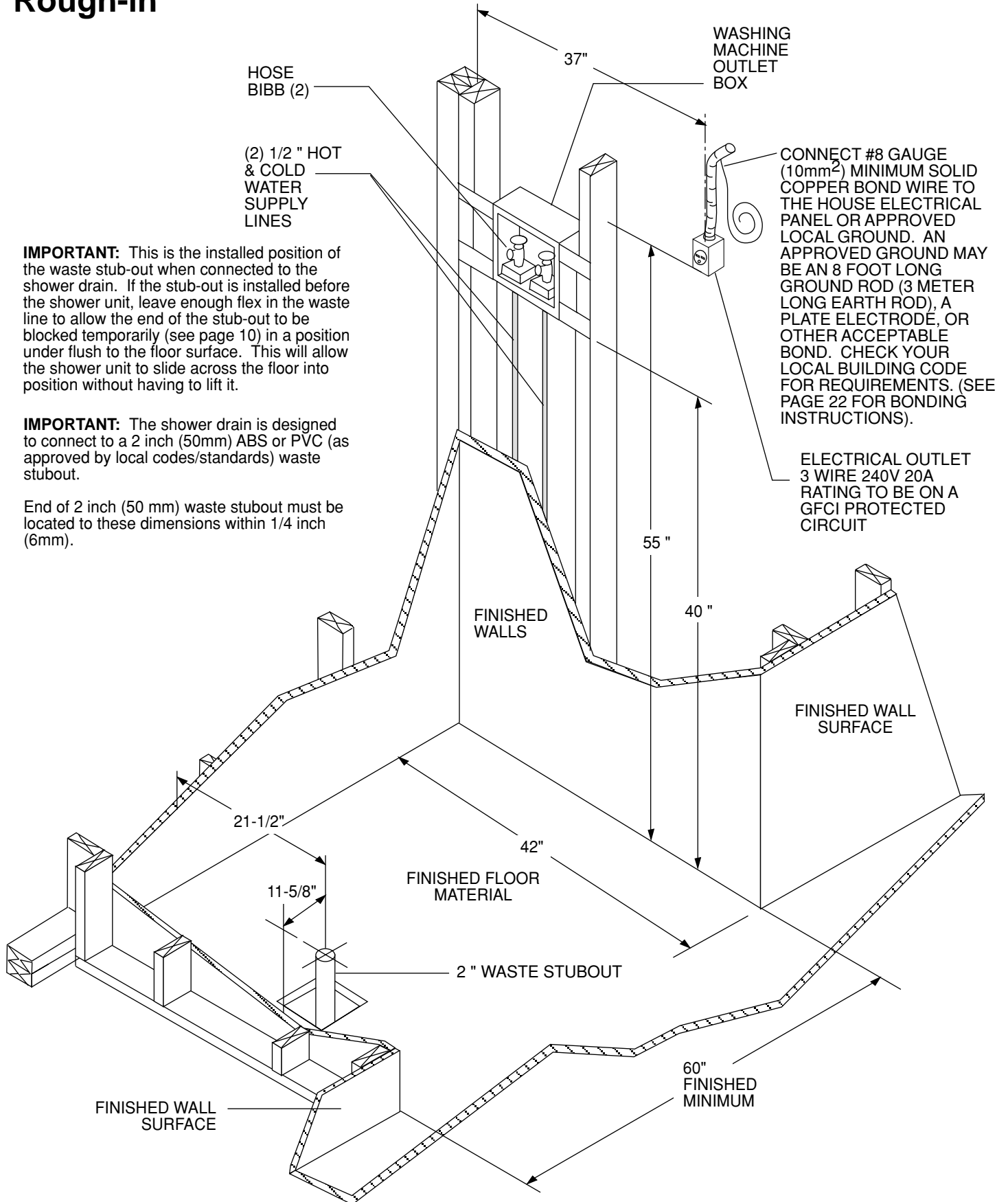
J-Dream II Owner's Manual

Letters (A) are used in the illustrations of the assembly procedure.

A CLIP		U-CLIP 10-24	J NUT		1/4-20 LOCK NUT
B SCREW		PAN HEAD SCREW #10-24 x 3/4"	K WASHER		FLAT WASHER #10
C WASHER		FLAT WASHER 1/4"	L SCREW		PAN HEAD SCREW #6-32 x .38
D NUT		LOCK NUT 10-24	SIDE BRACKET		
E SCREW		FLAT HEAD SCREW M4x10mm	L BRACKET		
F SCREW		PAN HEAD SCREW #12 x 1/2	LAG SCREW		
G BOLT		HEX BOLT 1/4-20 x 1.5"	CLAMP		
H BOLT		SELF-TAPPING M6x50mm			
I WASHER		EXTERNAL TOOTH LOCK-WASHER 1/4			

J-Dream II Owner's Manual

Rough-in

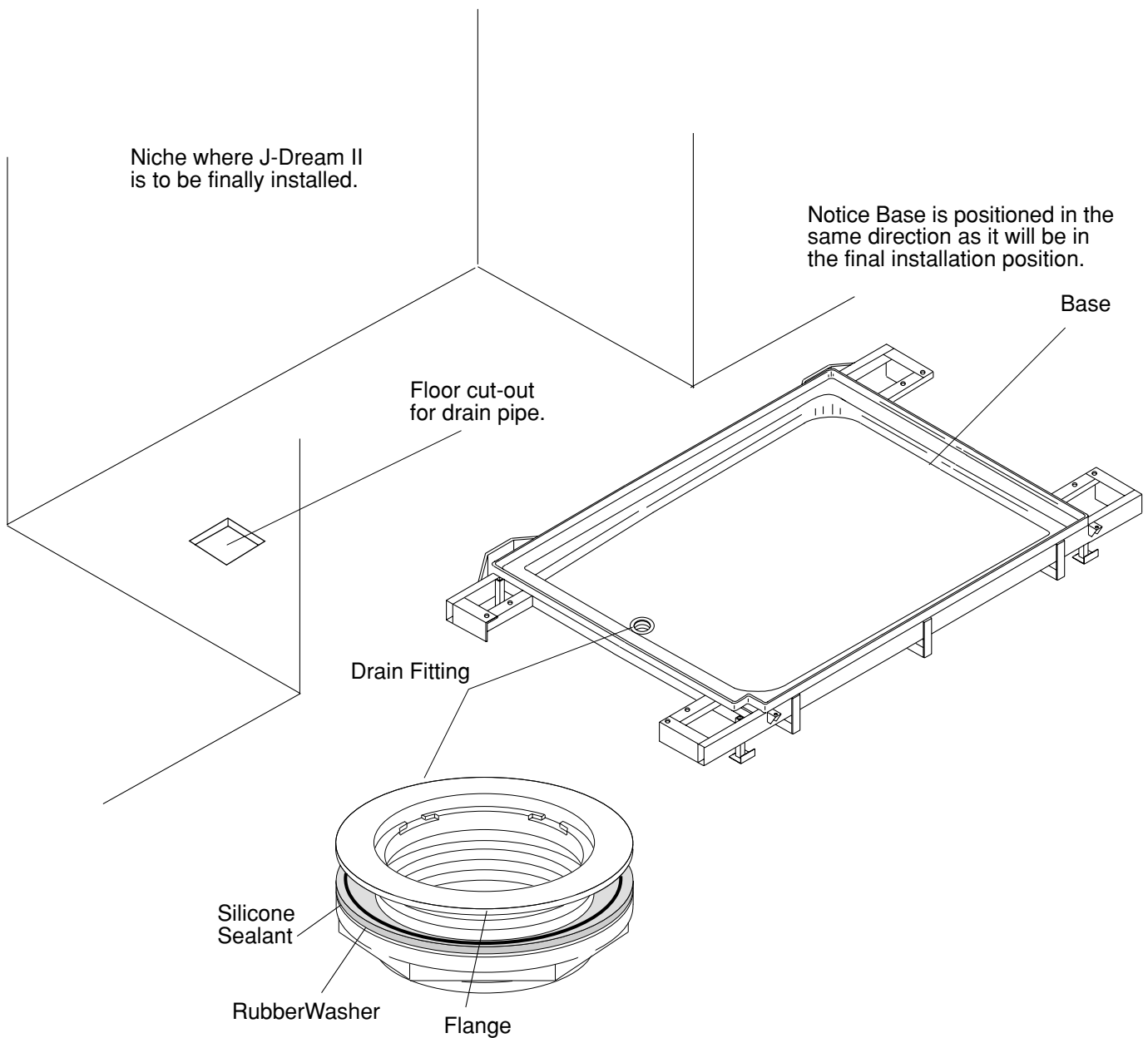


J-Dream II Owner's Manual

Locate Base to provide assembly access to all sides

Remove Base from carton labeled **Base/Top**. Place Clear Top in carton to prevent damage. (The Clear Top will not be installed until the unit has been fully assembled and plumbed).

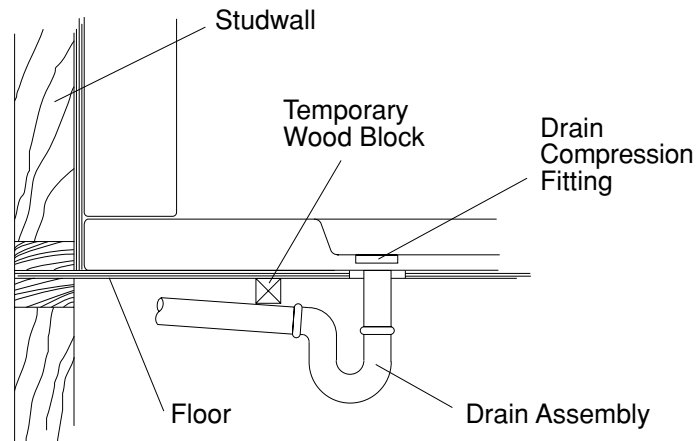
Position the J-Dream base on the floor so that you have work access to all four sides of the unit during assembly. (Allow a minimum of 24" (600 mm) of access on each side of base.) Before starting assembly, position the base pointing in the same direction as it will be in the final installation position so no unnecessary turning of the unit is required.



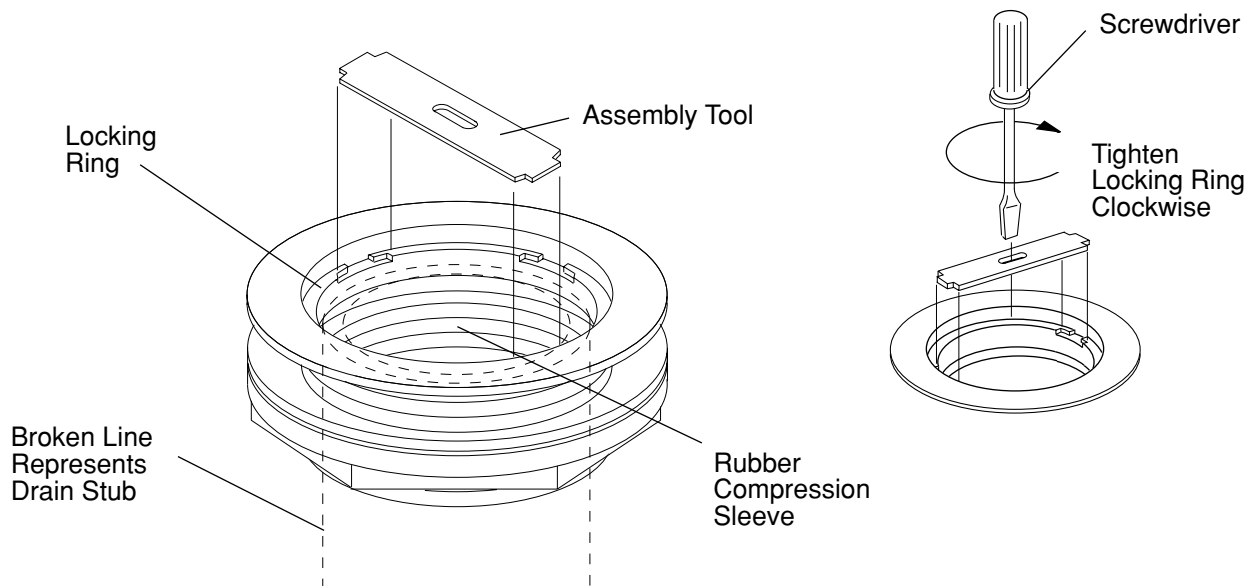
J-Dream II Owner's Manual

Drain Fitting (provided with unit)

Leave enough flexibility in the waste line to allow the end of the stub-out to be blocked temporarily in a position under flush with the floor surface. This will allow the shower unit to slide across the floor into position without having to lift the shower unit.

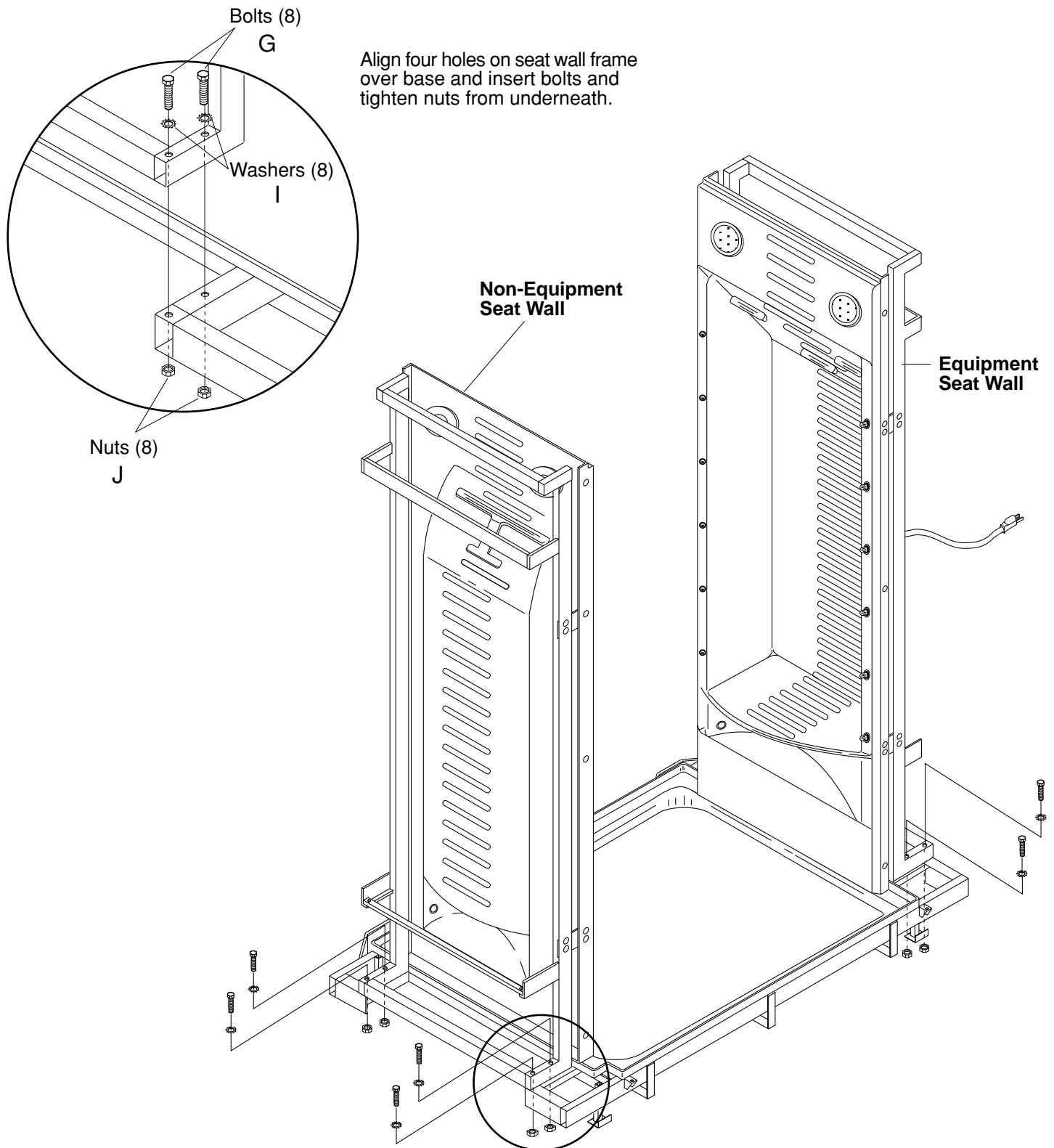


Remove the block and pull the drain assembly up to insert the stub into the drain. The drain fitting is a non-caulk type (compression fitting) drain. Make certain that the locking ring is loose to allow the drain stub to insert easily inside the rubber compression sleeve. If necessary, lubricate the sleeve with a mild soap solution. The drain stub must extend well into the rubber sleeve before the locking ring is tightened. Use a screwdriver and the assembly tool provided to tighten the locking ring.



J-Dream II Owner's Manual

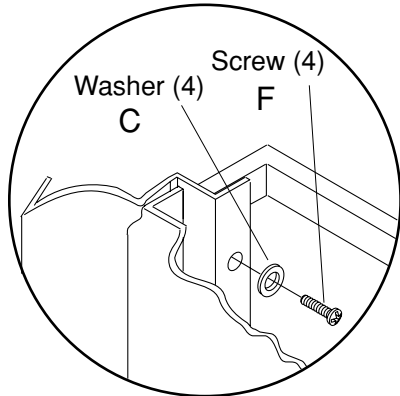
Attach Seat Walls to Base (J-Dream II with stereo shown)



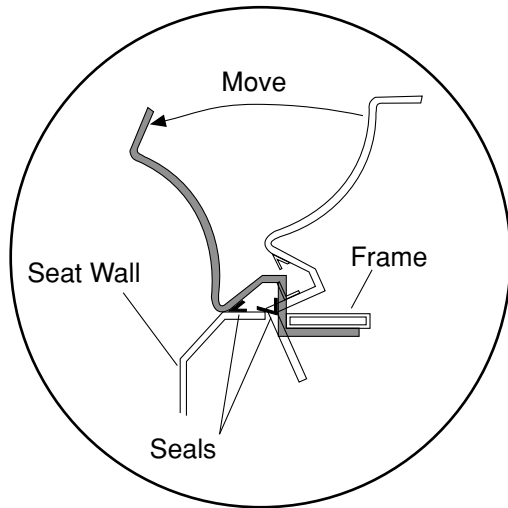
J-Dream II Owner's Manual

Attach Panel #2 to Seat Wall Frame

Slide in panel feeding between frame and edge of seat wall. Align to frame and fasten panel to frame. Important: do **not** caulk panel to seat wall as the seat wall is hinged and designed to swing open.

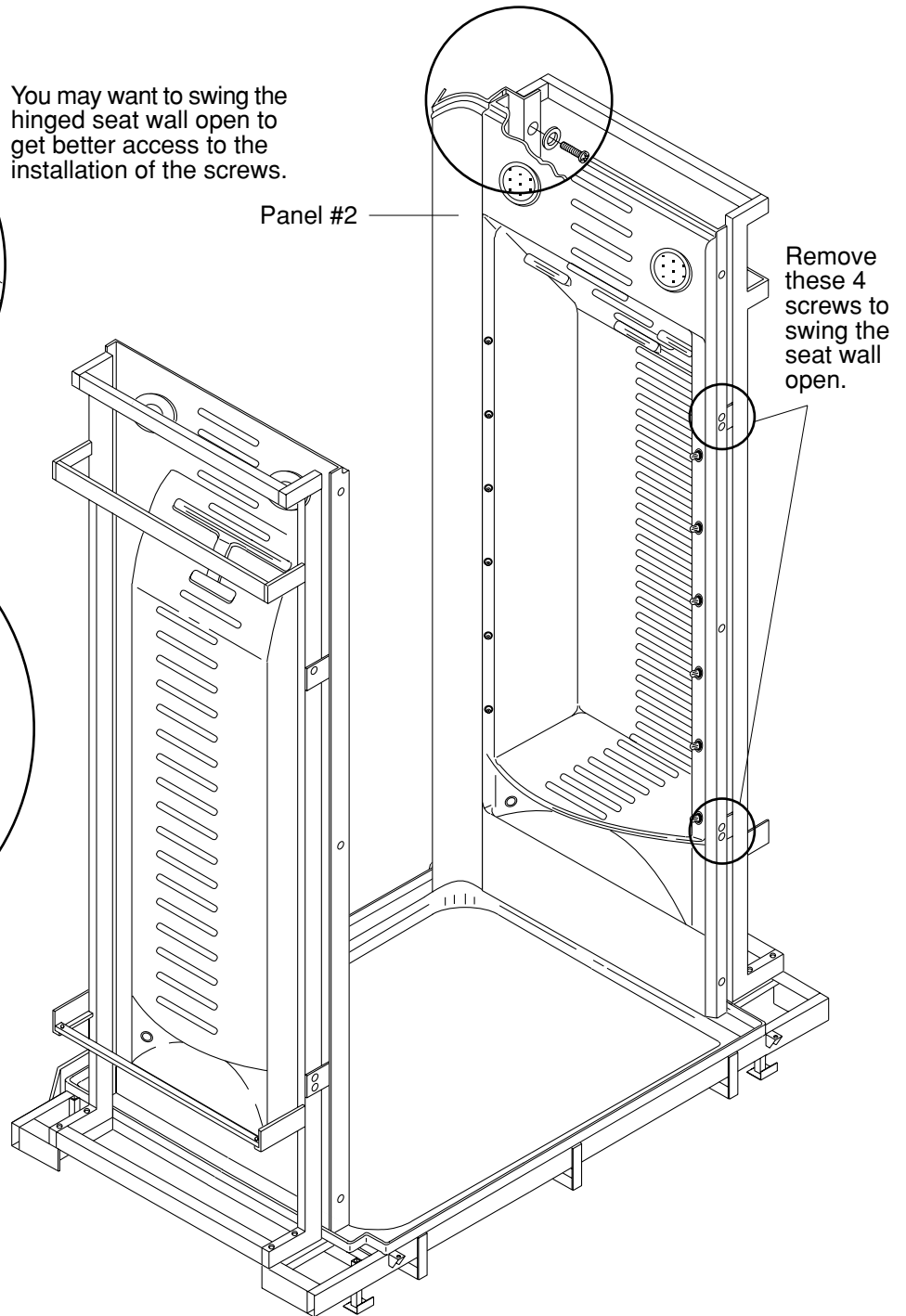


You may want to swing the hinged seat wall open to get better access to the installation of the screws.



Top View

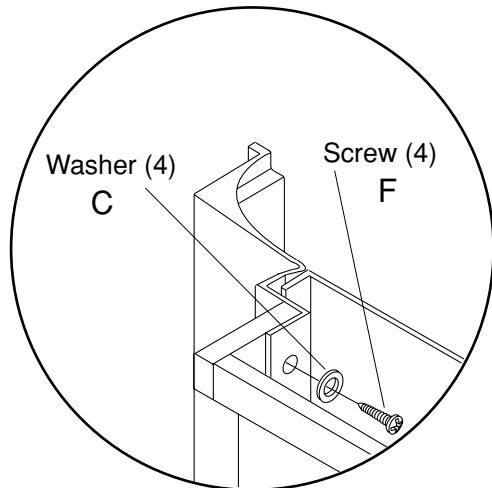
When Panel #2 is installed and put in position the seals will be as shown.



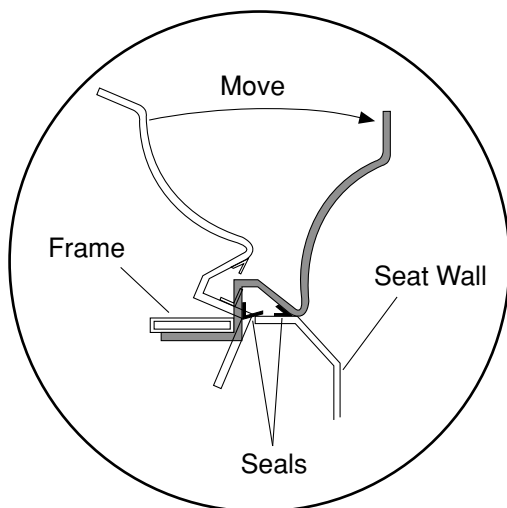
J-Dream II Owner's Manual

Attach Panel #3 to Seat Wall Frame

Slide in panel feeding between frame and edge of seat wall. Align to frame and fasten panel to frame. Important: do **not** caulk panel to seat wall as the seat wall is hinged and designed to swing open.

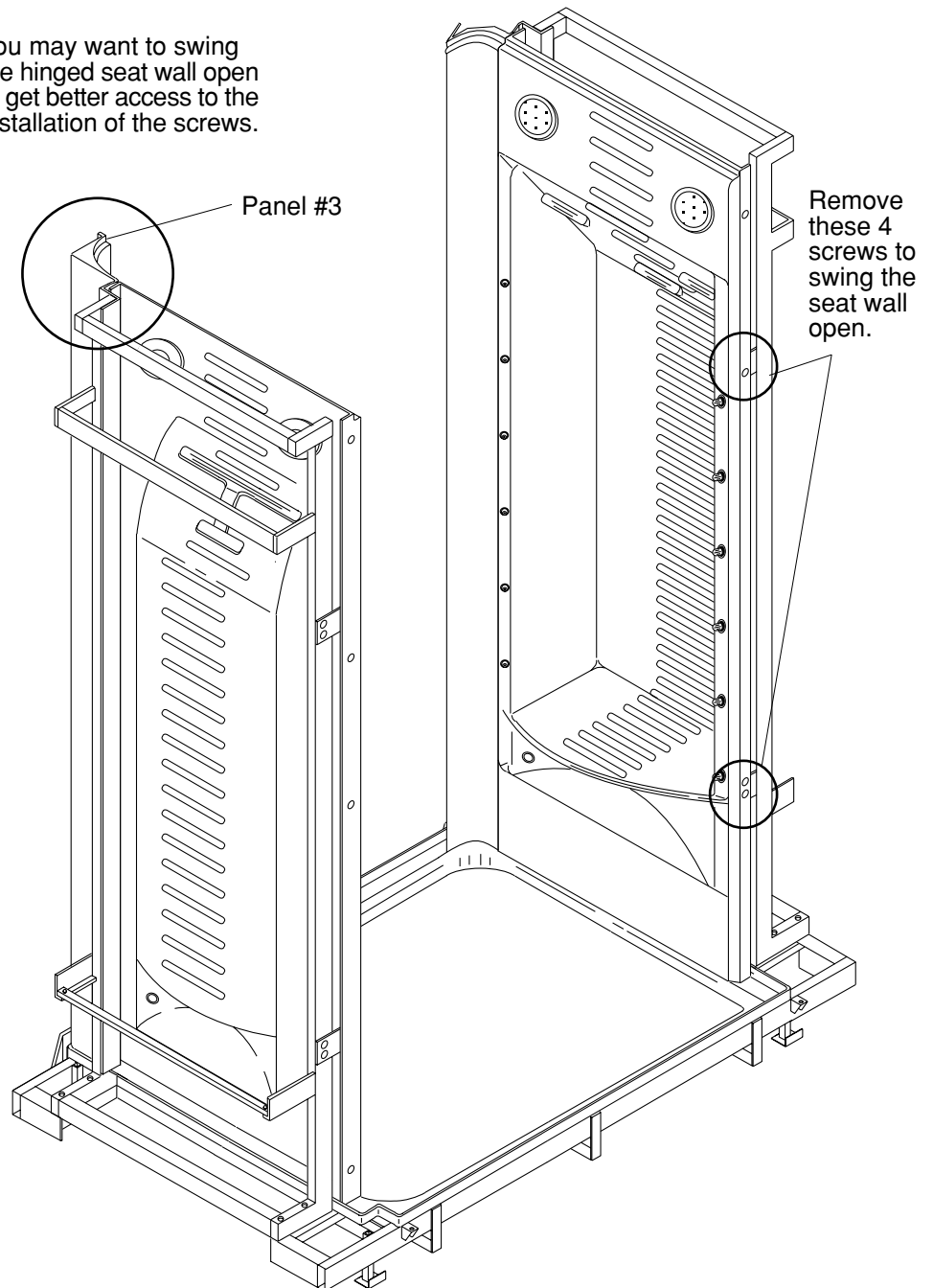


You may want to swing the hinged seat wall open to get better access to the installation of the screws.



Top View

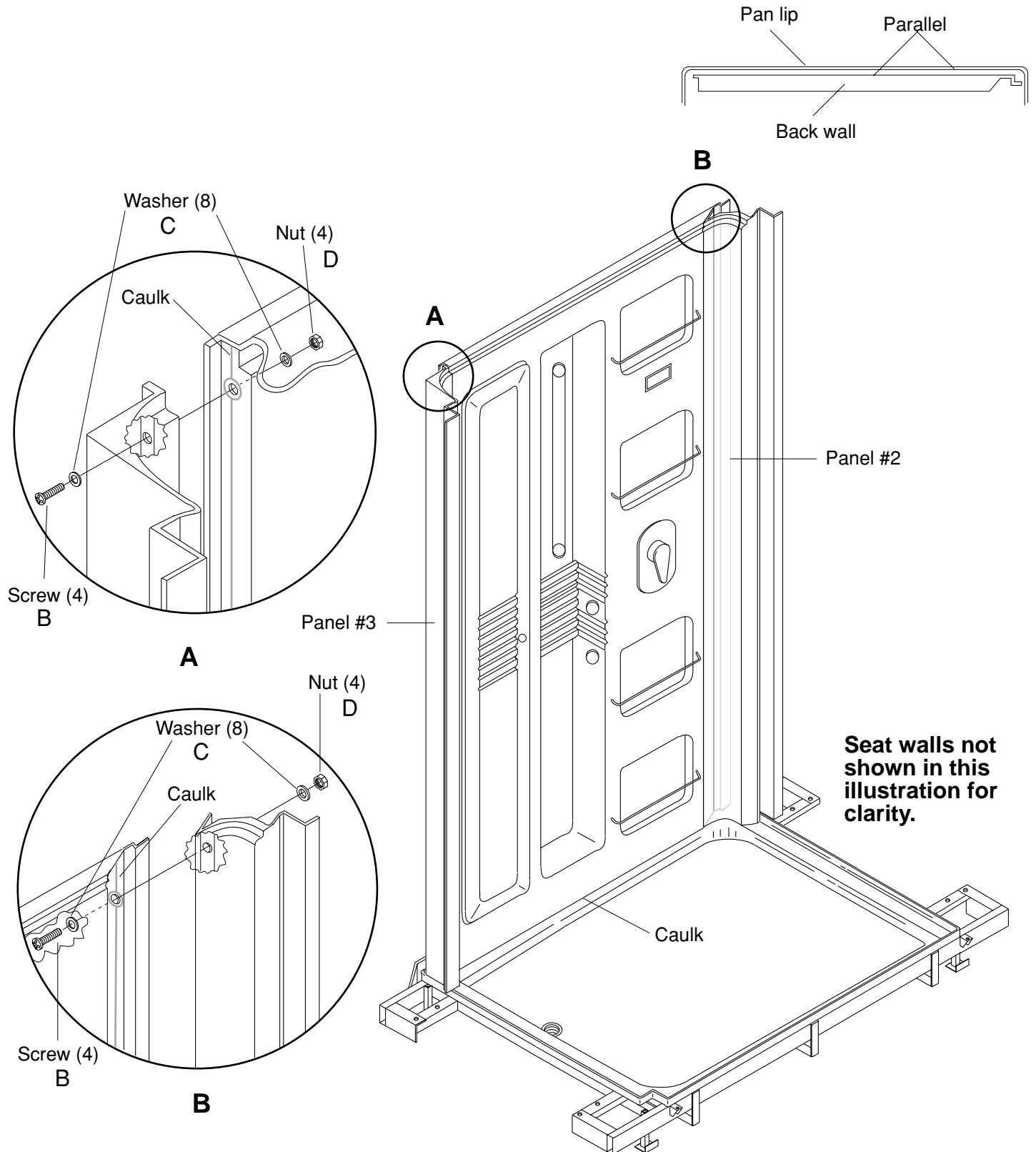
When Panel #3 is installed and put in position the seals will be as shown.



J-Dream II Owner's Manual

Install Back Wall

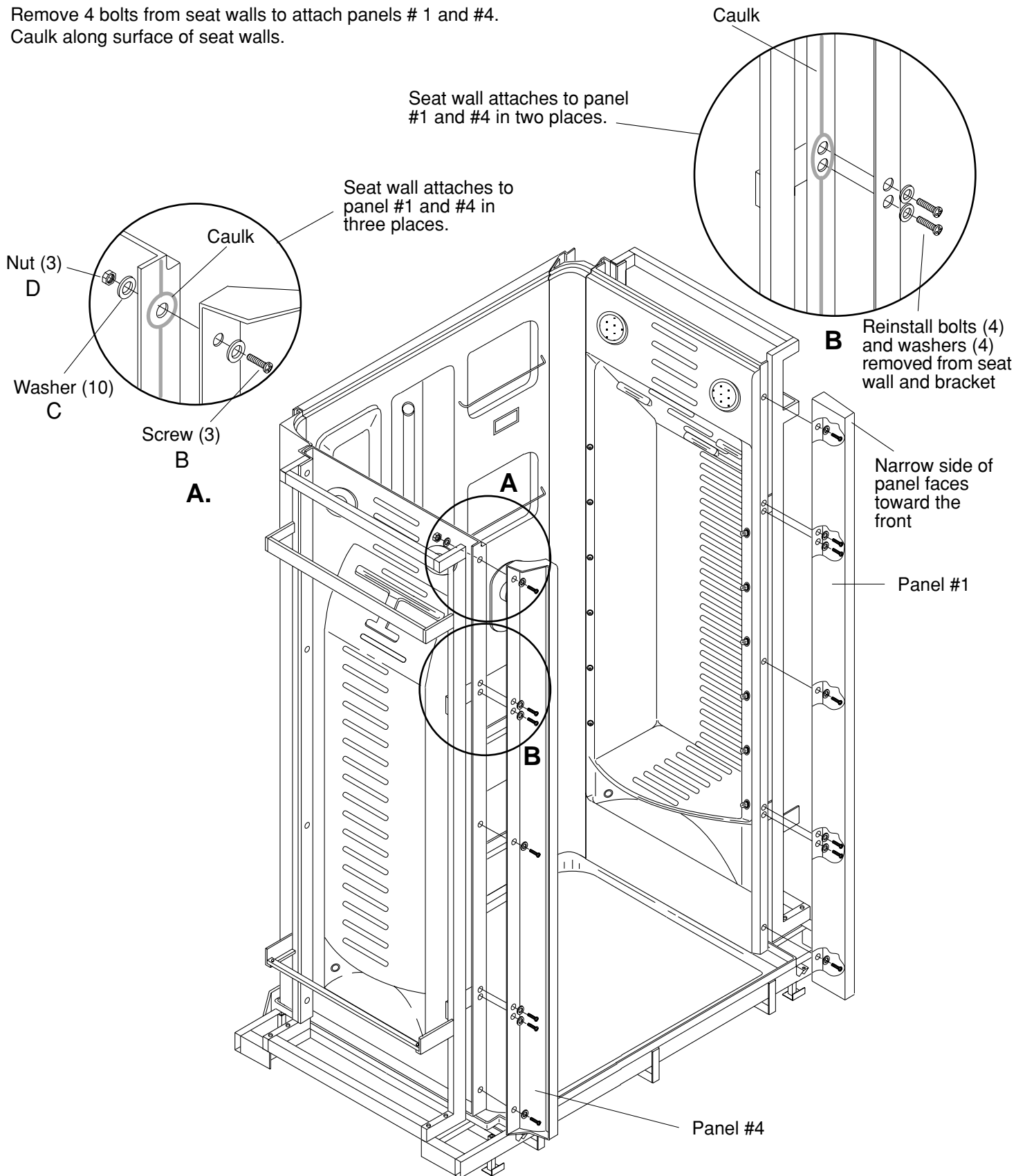
Caulk the bottom and sides of back wall where indicated in the illustrations below. Install fasteners. Now align the back wall parallel to the pan lip to center the back wall between the seat walls.



J-Dream II Owner's Manual

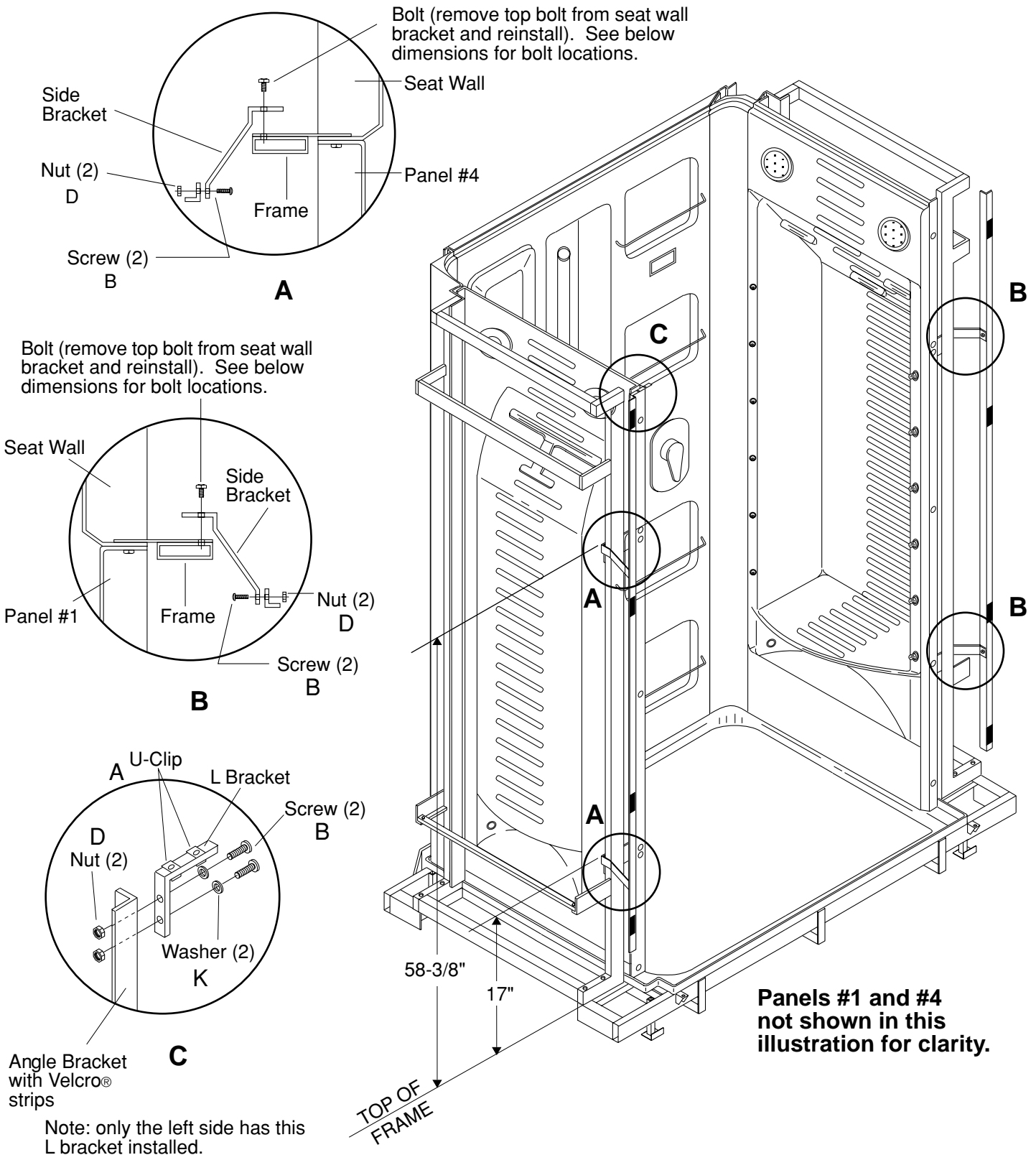
Attach Panels #1 and #4 to Seat Walls

Remove 4 bolts from seat walls to attach panels # 1 and #4.
Caulk along surface of seat walls.



J-Dream II Owner's Manual

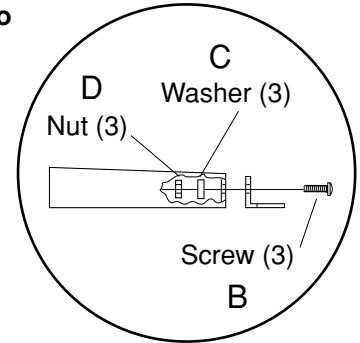
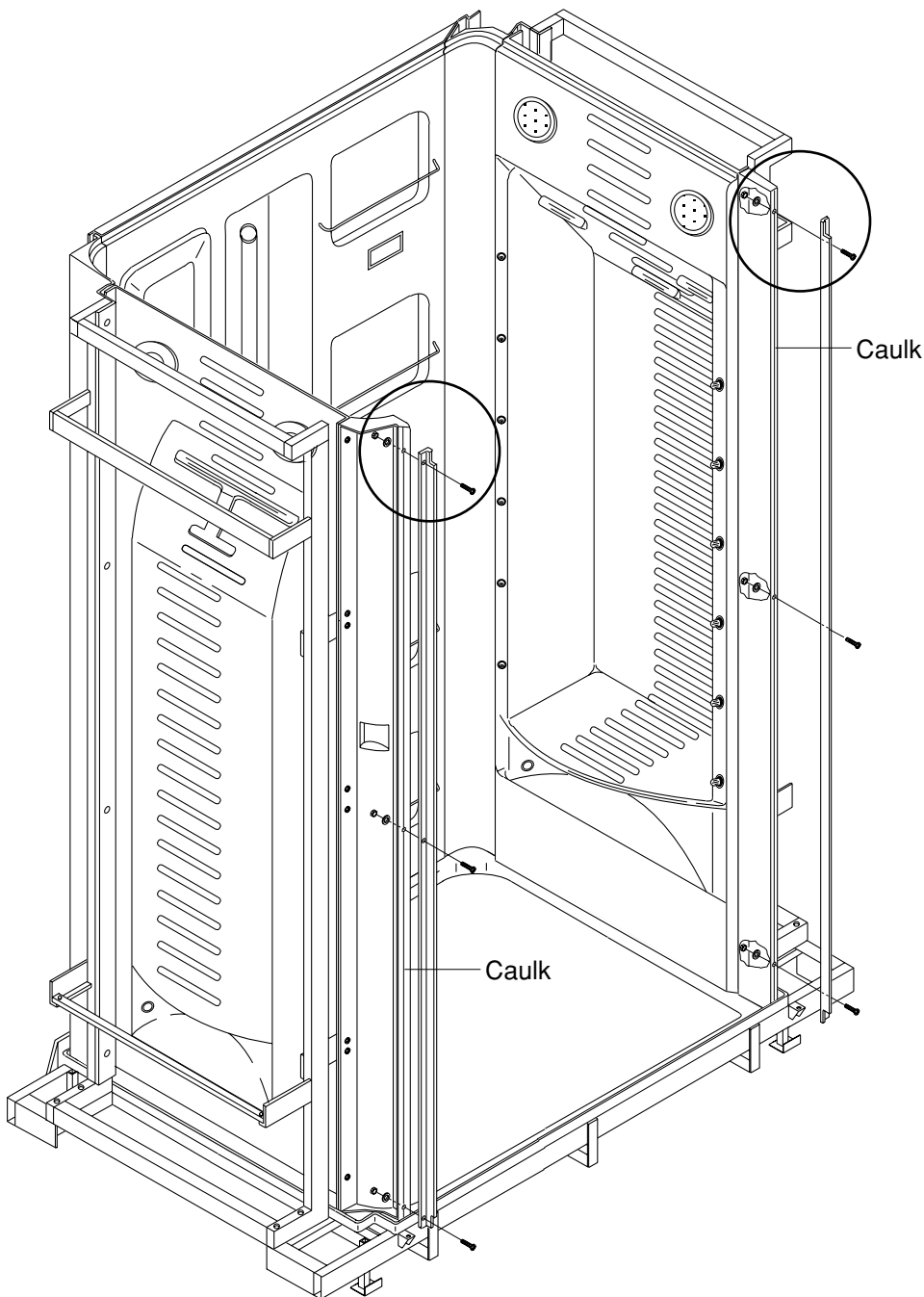
Attach Brackets to Seat Wall Frames and L Bracket to left Angle Bracket



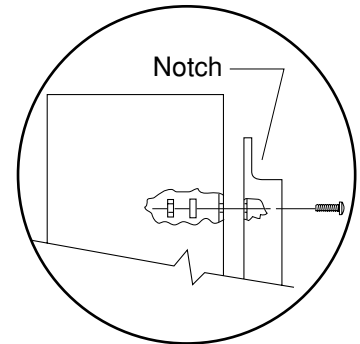
J-Dream II Owner's Manual

Attach Painted Angle Brackets to Panels #1 and #4

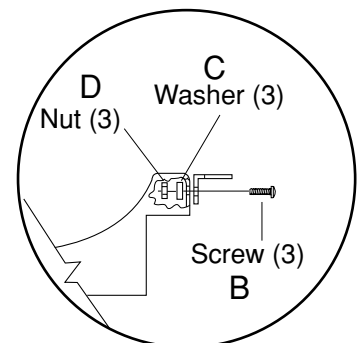
Note that each angle bracket has a notch on the top and bottom. This notch does not get screwed against the side panels but faces out as shown in the side view for both left and right sides. **Do not tighten the screws at this time as the angle brackets will have to be aligned with the door frame holes.**



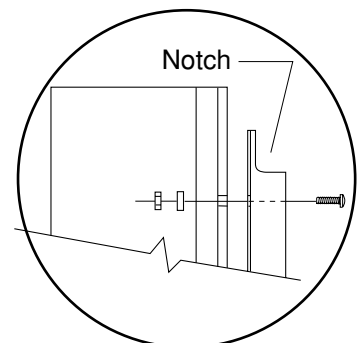
Top View (right side)



Side View (right side)



Top View (left side)

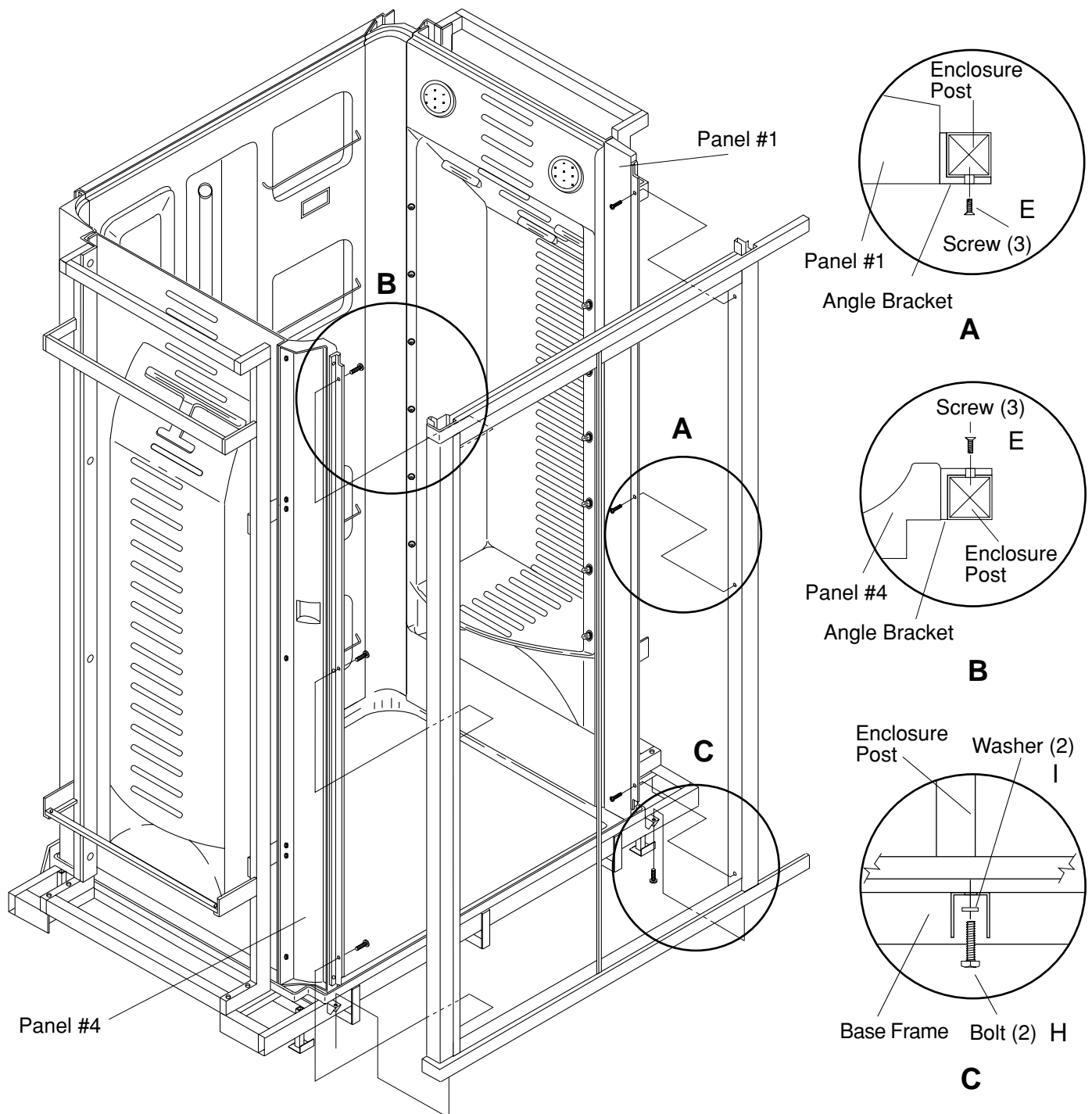


Side View (left side)

J-Dream II Owner's Manual

Attach Door Frame to Angle Brackets and Base Frame

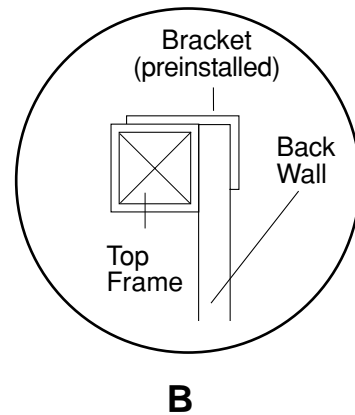
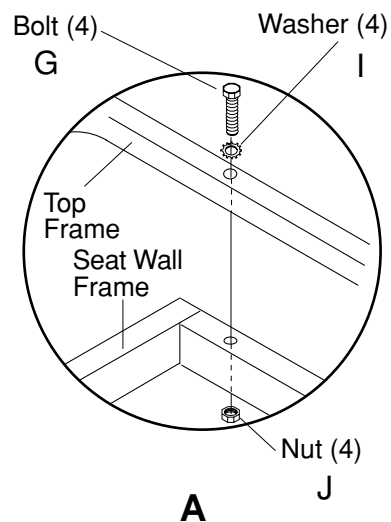
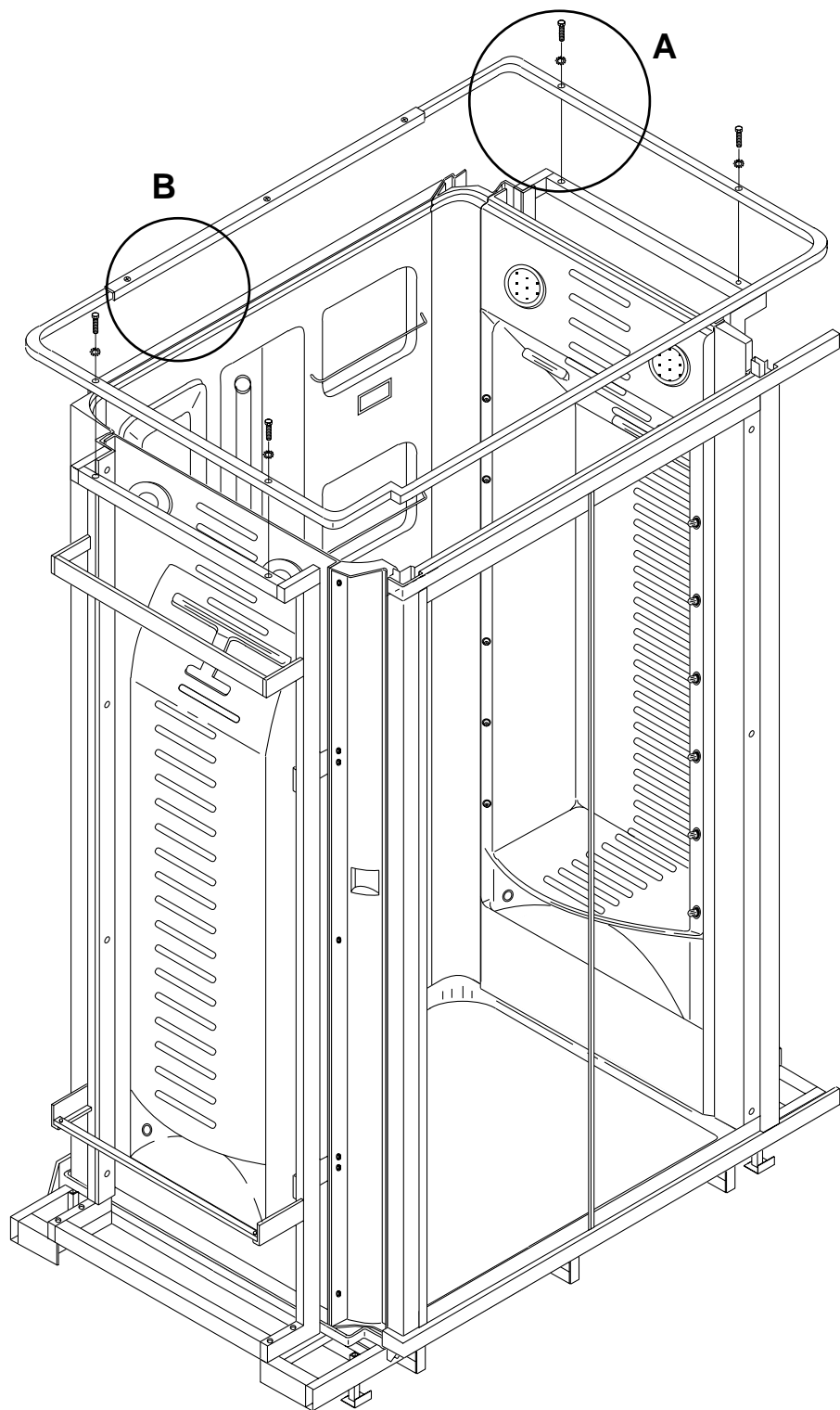
Before proceeding, make sure the seat walls are closed and fastened. See detail B on page 15. Align door frame over tabs on base frame and pan lip. Pan lip is to fit into corner posts of door frame. Align holes along sides of door frame with angle brackets and mark this position of the angle brackets. Remove door frame and angle bracket screws. Apply the silicone caulk and reinstall the angle brackets at the marked position. Insert screws and tighten. Reposition the door frame and install screws through angle brackets into door frame post. Then install bolts (2) through frame tabs into door frame. Do not over tighten. Do **not** silicone caulk angle brackets to door frame as they allow service access to equipment.



J-Dream II Owner's Manual

Attach Top Frame to Door Frame, Back Wall and Seat Wall Frames

Press/tap top frame into door frame, aligning notch in door frame with corner of top of frame while aligning with corners of enclosure. Frame snaps down into door frame and back snaps over back wall. Install bolts (4) through top frame and into left and right seat wall frames.

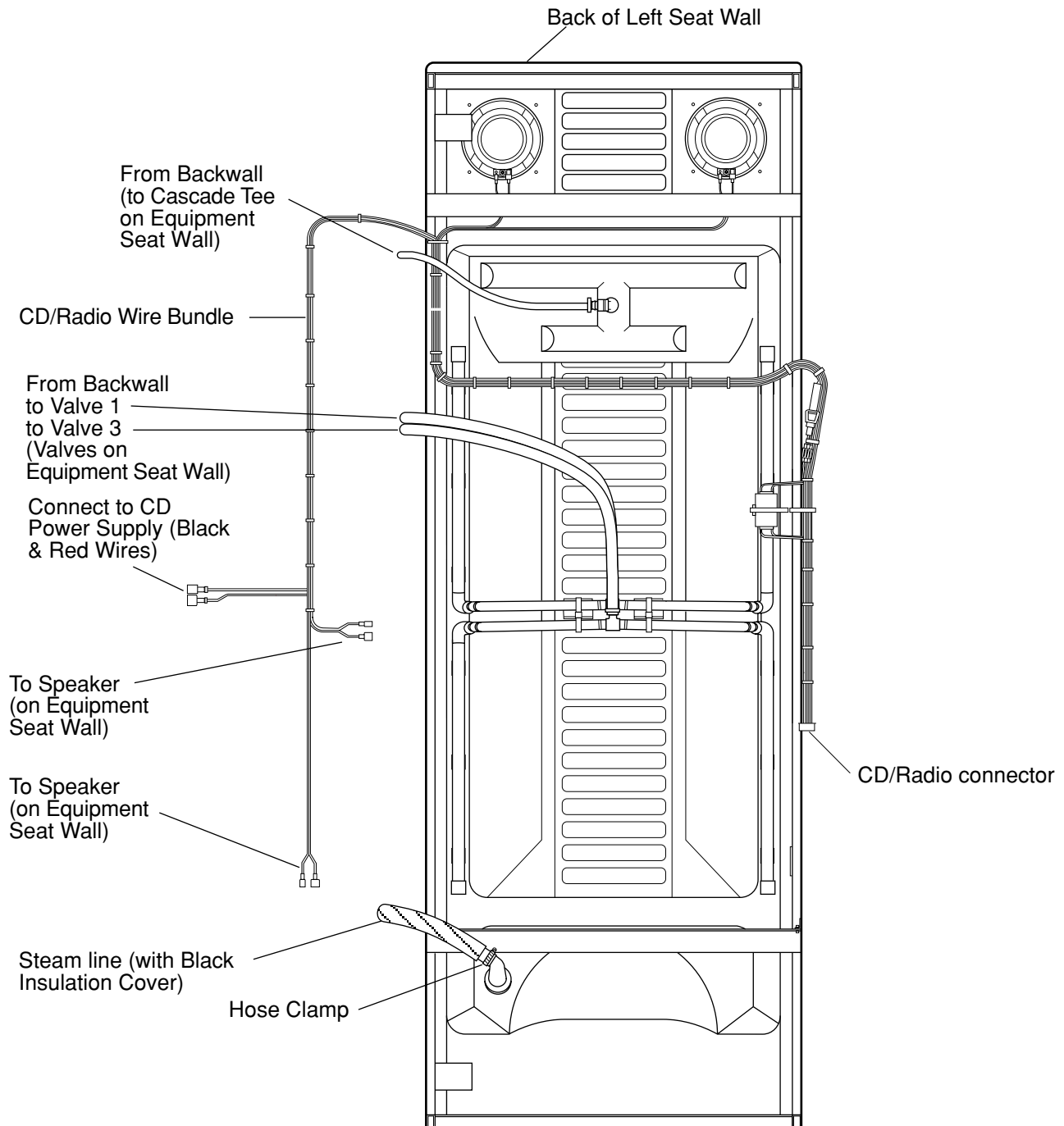


J-Dream II Owner's Manual

Left Seat Wall

Feed the four hoses and controller cable from the back wall and connect them as shown. The steam hose connection uses a hose clamp while the other hoses use spring clamps that are on the hoses.

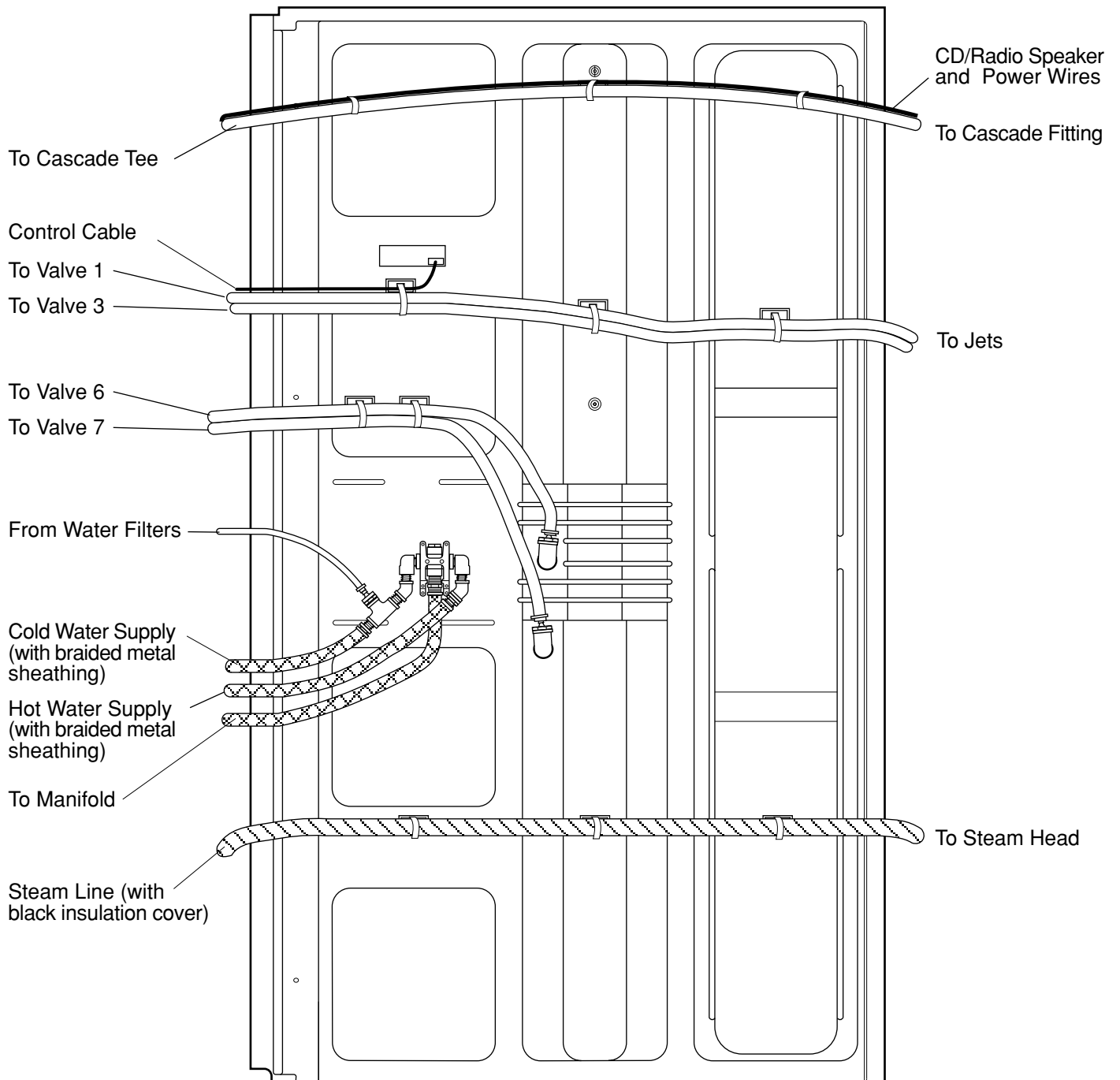
Also feed the CD/Radio wire bundle to the back wall. (J-Dream II with stereo only.)



J-Dream II Owner's Manual

Back Wall

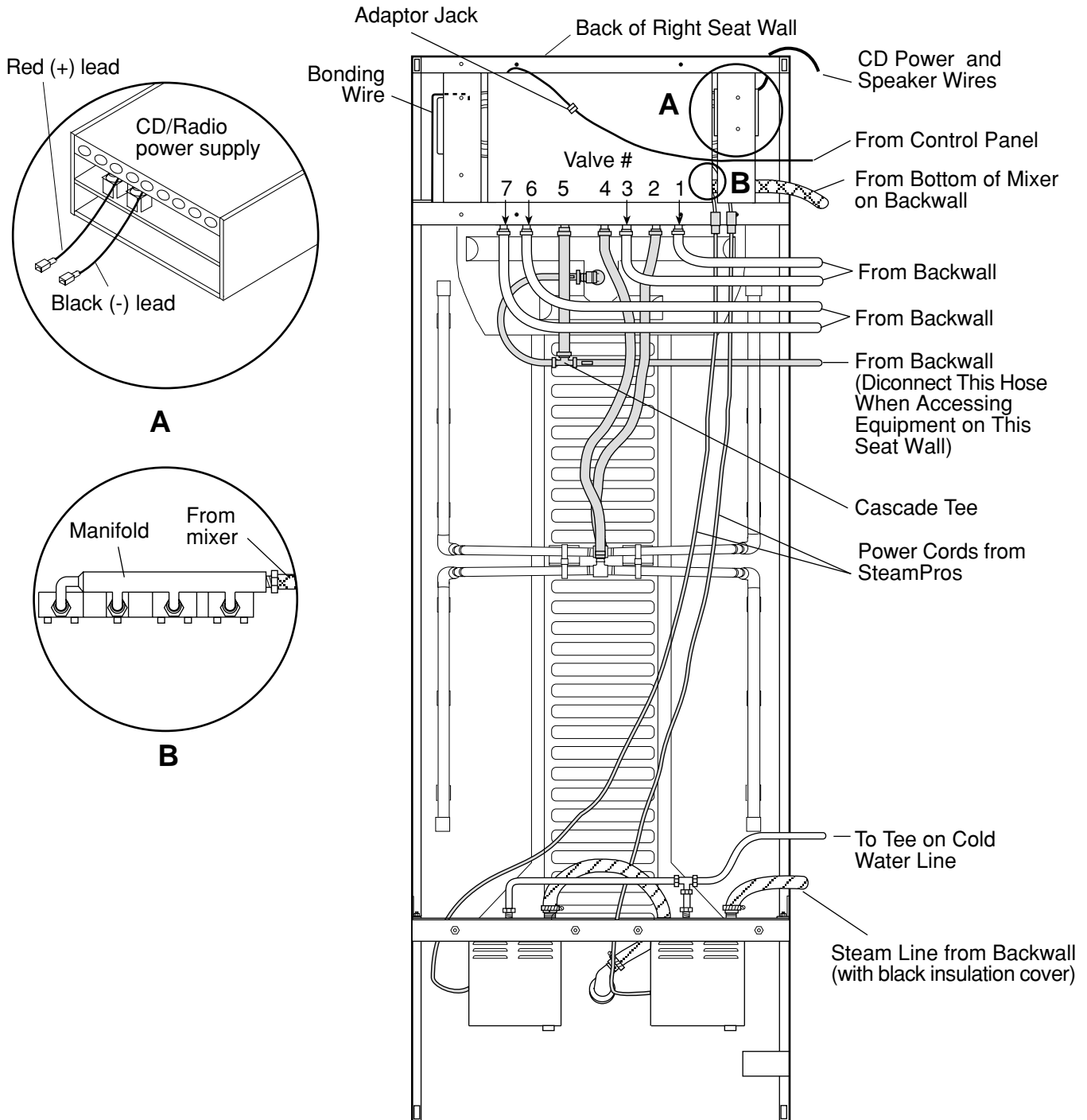
Use cable ties to attach the CD/Radio wire bundle to the cascade hose. The hoses from valves 1 and 3 and the steam hose are loosely attached to their mounting brackets to allow the slack when connecting them and when the hinged seat wall is swung open (like a door) to access equipment. After they have been connected and there is sufficient slack, the cable ties may be tightened. Feed the hot and cold water, valve manifold supply, valve 6 and 7 lines from the equipment side wall and connect as below. Route the water filter line and control cable to the equipment side wall.



J-Dream II Owner's Manual

Right Seat Wall (Equipment Wall)

Connect the hoses routed from the back wall as below (grayed lines are pre-attached). Connect the controller line. The red and black leads in the CD/Radio wire bundle must be hooked up to the corresponding colored leads of the power supply. Connect the speaker leads. Connect the two SteamPro power cords after unraveling them.



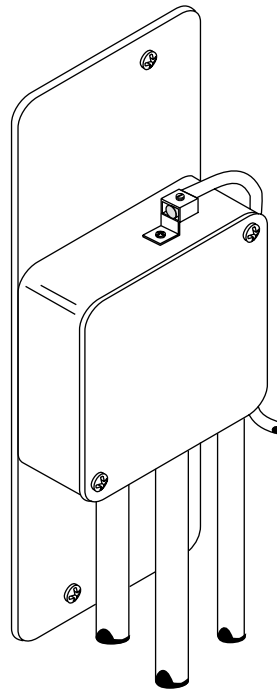
J-Dream II Owner's Manual

Bonding (top left hand side of right hand equipment seat wall)

Connect a #8 guage (10mm²) minimum solid copper bond wire to the house electrical pannel or an approved local ground. An approved ground may be an 8 foot long ground rod (3 meter long earth rod), a plate electrode or ther acceptable bond location. Check your local building code for requirements.

(If necessary, remove one screw in the plastic cover plate on top of seat wall frame and swing plate out of the way for access.)

POWER CORD
JUNCTION BOX



J-Dream II Owner's Manual

1. Make sure electric power is **OFF** at main breaker.
2. **Static test water supply hoses for leaks.**
3. Plug power cord into GFCI protected wall outlet.
4. Move the assembled J-Dream II into final position.
5. Connect 2" shower drain (see page 9).
6. Adjust the levelling screws in the J-Dream II base feet and lock them in position.
7. Recheck fit of drain plumbing.
8. Secure J-Dream II in position using clamps (provided) on two front feet.
9. Connect showerhead hoses to wall outlets, snap drain cover into place.
10. Adjust the Optica mixer rotational limit stop. To adjust, consult the Optica instructions enclosed with this manual.

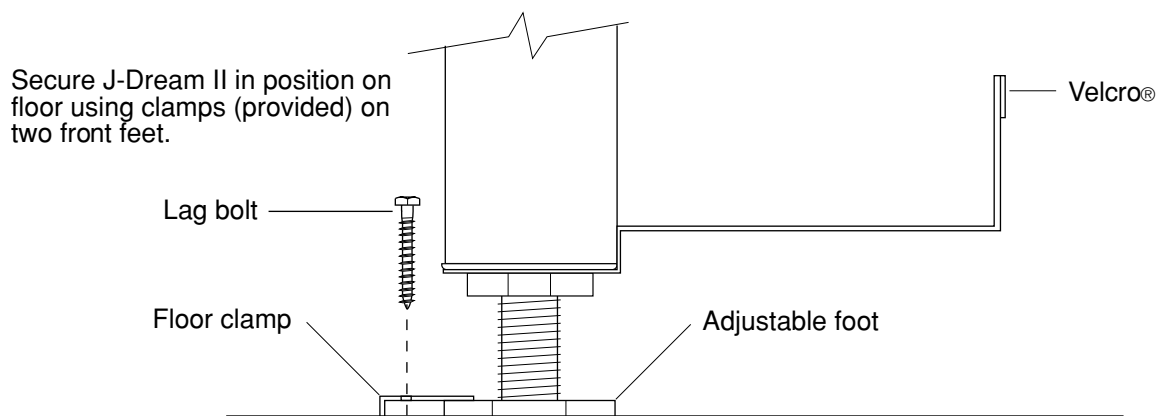
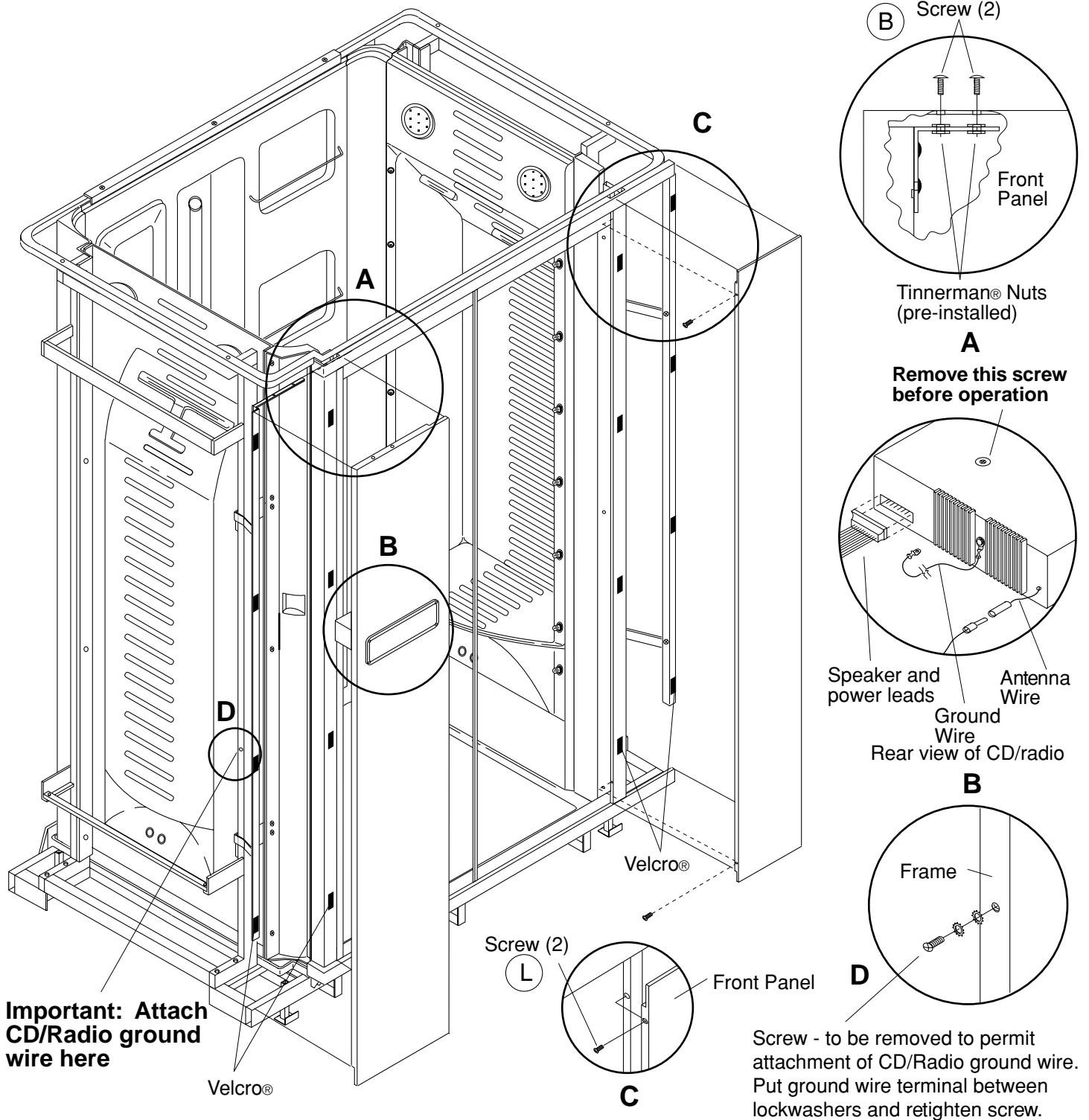


FIGURE 1

J-Dream II Owner's Manual

Attach Front Panels to Unit

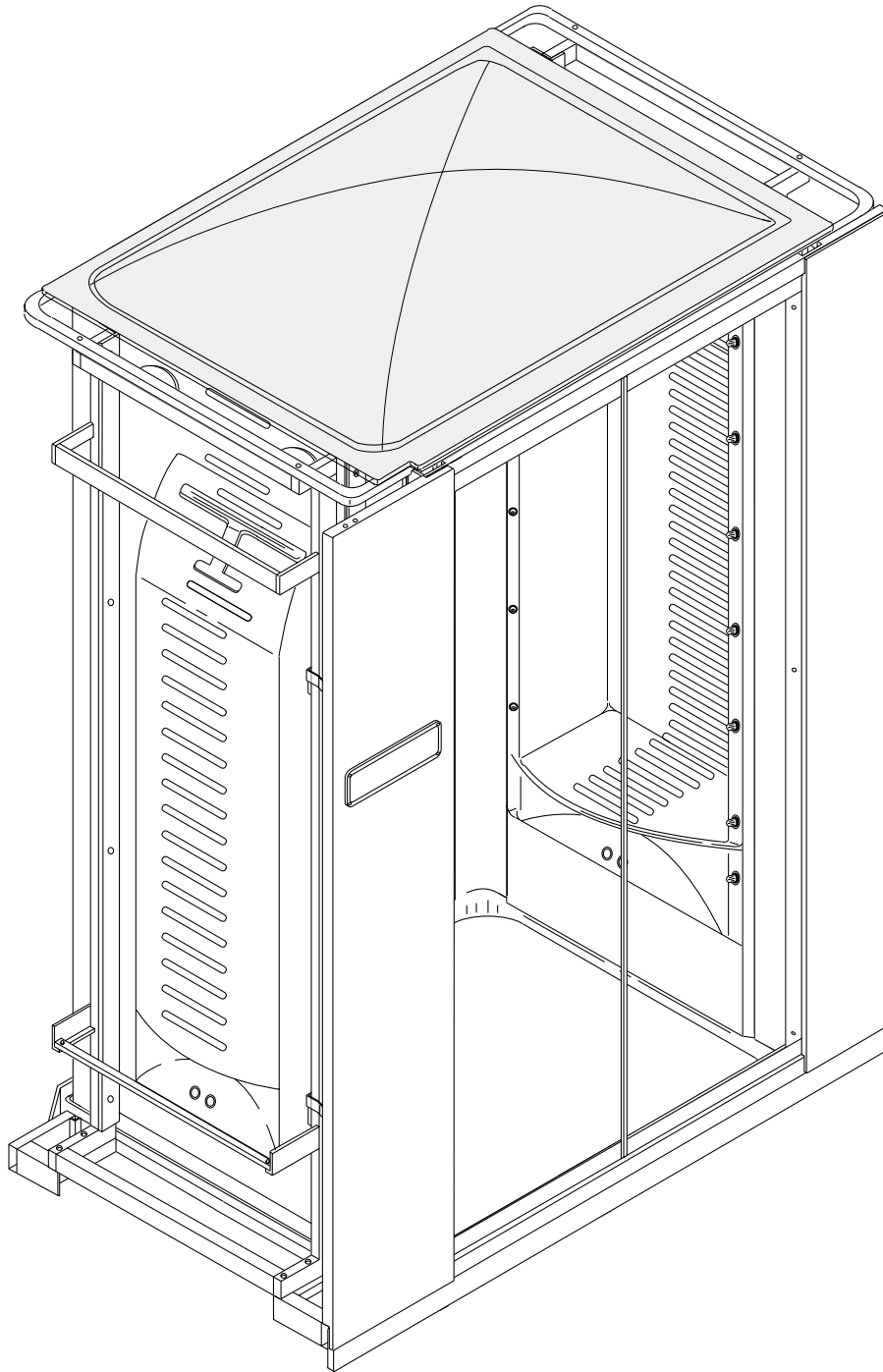
Attach both left and right front panels with pre-installed Velcro®. On the left front panel, install 2 screws through the top of the panel. Connect the CD/radio ground wire, speaker/power connector and antenna wire before installing left front panel. Ground wire is bolted to the seat wall frame.



J-Dream II Owner's Manual

Top Cover

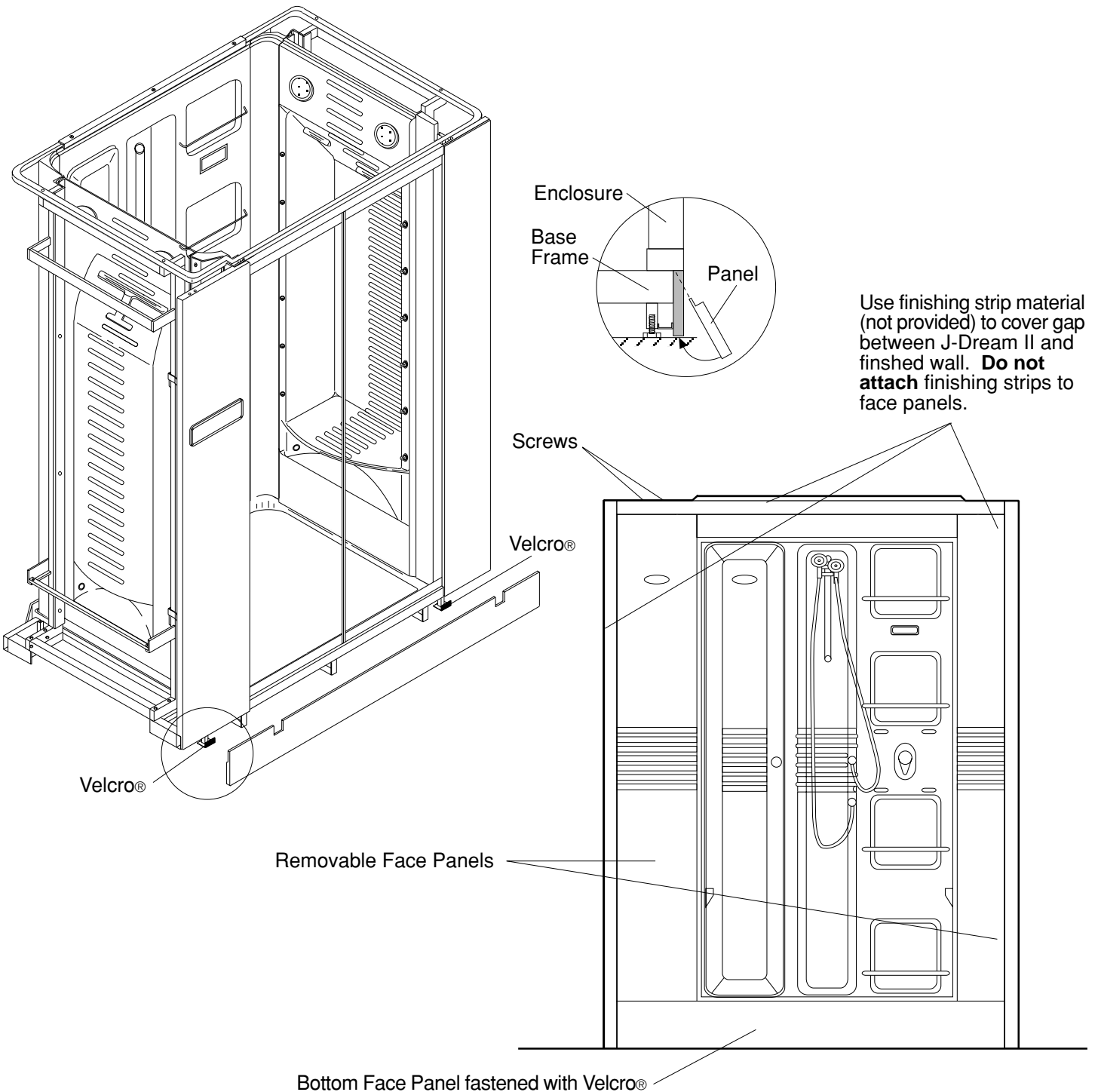
Place cover on top of unit. Align notch in cover with the corresponding notch in the top metal frame.



J-Dream II Owner's Manual

Turn On Electric Power at Main Breaker Operate Unit and Check for Leaks Attach Bottom Front Panel to Unit

Take the bottom panel at an angle and insert under the bottom of the enclosure frame. Rotate backwards till it is up against the brackets with the pre-installed Velcro®.

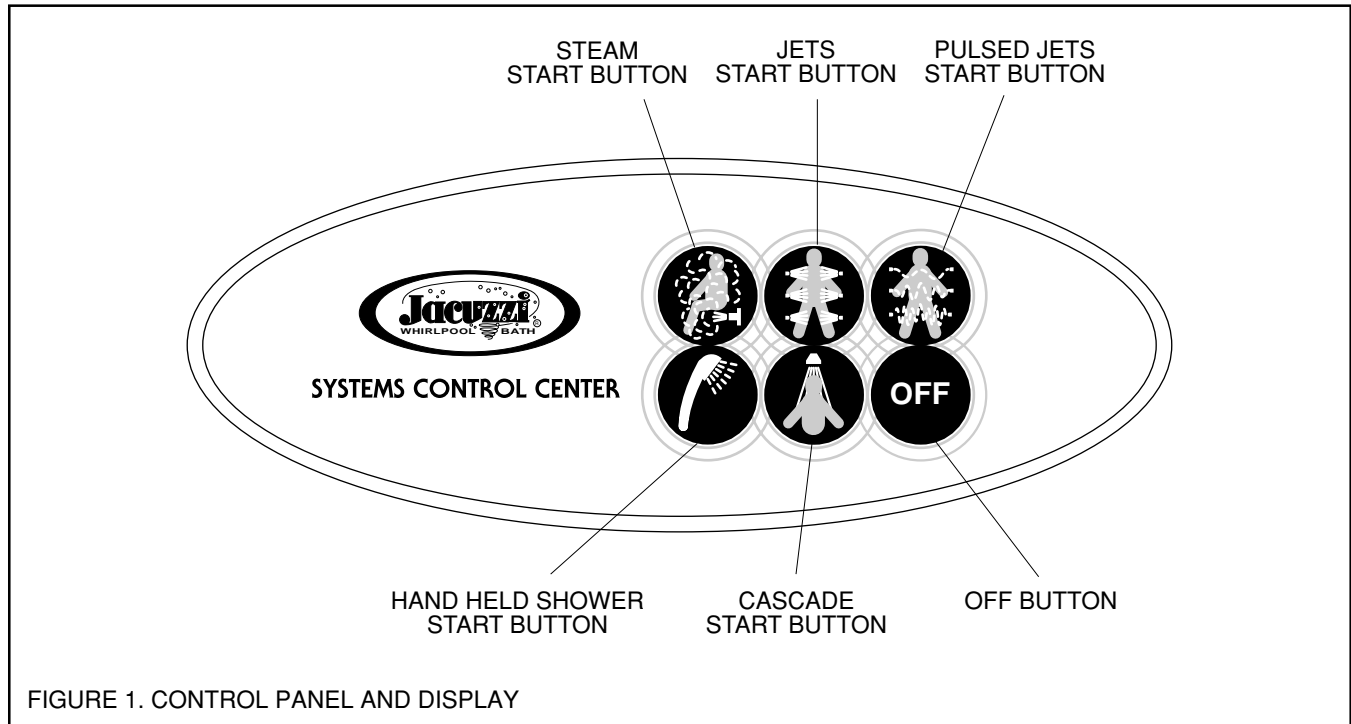


Part II: Operating Instructions

CONTROL PANEL

System control is provided by the electronic display located inside the shower cabin (see Figure 1)

The display is used to start up the five functions of the unit: the shower, the cascade waterfall, the hydromassage (all jets), hydromassage (pulsed jets), and the steam bath. The display is composed of clear symbols to identify the five functions.

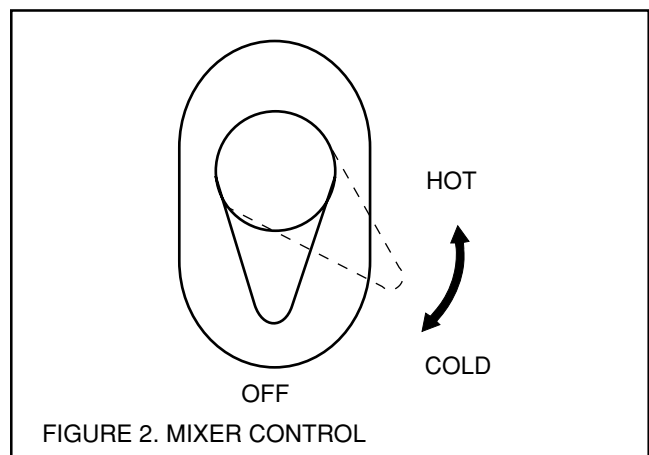


Starting Any Function

The mixer valve must be ON for the functions of the control panel to be operational except for the steam function. After the mixer valve has been set and is ON, press any button to start that function. The steam function can be ON with any other function. Other functions can **only** be ON one at a time. Pressing the OFF button turns **all** functions OFF.

Mixer Control

To adjust the temperature turn the mixer handle as shown in Figure 2. When exiting the J-Dream with all functions OFF, the mixer control **must** be turned to the OFF position.



Shower

The shower button has four modes: pressing once activates one shower, pressing twice activates the other shower only, pressing a third time activates both showers and pressing a fourth time deactivates both showers. Pressing the OFF button or any other button will turn the shower mode OFF regardless if one or the other or both showers are operating.

Cascade

This feature offers the pleasant sensation of a waterfall lapping over your shoulders and body as you are comfortably seated. To start the cascade, press the CASCADE button on the display (Figure 1) to automatically start water delivery from the nozzles above the seats. To stop the cascade, press the CASCADE button again or OFF button or any other button.

Starting the Hydromassage

The J-Dream allows you to enjoy the benefits of a real hydromassage. The hydromassage is created by the combined action of 16 water jets (four sets of 4). The action of each group of jets is either alternated or pulsed.

To start the hydromassage jets, press the JETS button once (Figure 1). This will activate the jets on one wall. Pressing it a second time will shut OFF that wall and activate the other wall. Pressing a third time activates both walls and pressing a fourth time turns the hydromassage OFF. The PULSED JETS button may be pushed with either wall or both walls on. Pressing this button once will increase the rate of the pulses from a default speed. Pressing a second and third time continues to increase the rate of pulsation. Pressing a fourth time reverts to the default rate. To stop the hydromassage in any mode, press the OFF button or any other button.

Starting the Steam Bath

Press the STEAM start button on the display (Figure 1). The steam function has a 60 minute cycle after which it turns off automatically. The steam bath can be turned off at any time by depressing the OFF button. **Do NOT operate the steam generators without the water supply ON as permanent damage to the generators will occur.**

CD/RADIO

For operation of the CD/radio consult the manual enclosed.

NOTE: In order to hear the TV audio, the Pioneer CD Receiver AUX function must be setup to be ON.

To perform this setting:

- If the unit is on, press SOURCE and hold until the unit turns off.
- Press FUNCTION repeatedly until AUX appears in the display
- Select AUX on and off with ▲/▼. The status will be displayed: AUX :ON.

If power to the unit is interrupted, the CD Receiver will have to be reset.

Note: For units with AM/FM radios, the quality of AM reception will vary by locality. Jacuzzi Whirlpool Bath is not responsible for the quality of AM reception.

Maintenance

Routine Maintenance

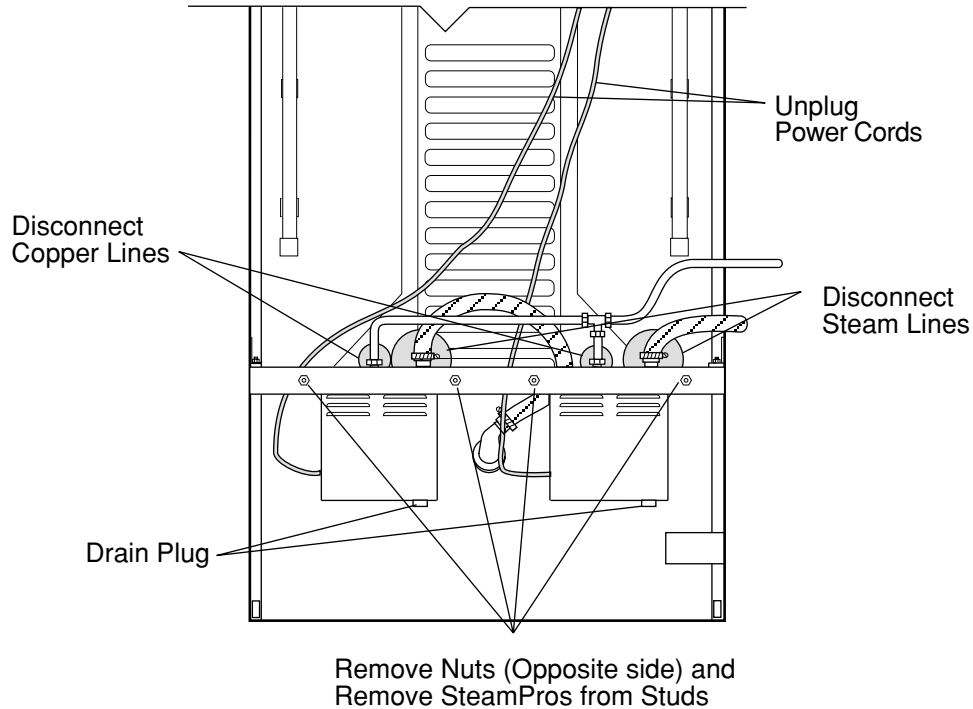
The shower head is equipped with a filter which must be occasionally cleaned of limestone and other deposits. The filter is placed between the flexible hose and the shower head. If limestone deposits are on the jet nozzles, the shape of the water jets may be altered. Remove and clean the nozzles occasionally. Unscrew the nozzle to remove. Clean it by soaking it in a moderate vinegar and water solution. Do not use metal tools (such as scissors or screwdrivers, etc.) to clean the nozzle. For routine cleaning of the dome and plastic surfaces, such as the side panel, the shower wall panel, etc., use a mild liquid detergent only. Any normal polish can be used to keep acrylic surfaces shiny. The glass panels can be cleaned with any glass-cleaning product available on the market. **Do not use abrasives, alcohol, acetone, ammonia or other solvents on any part of the J-Dream.**

Care and Maintenance of SteamPros

Maintenance of the Steampros includes flushing and visually inspecting for water leaks.

To flush the units:

1. Turn OFF power to the unit.
2. To gain access to the SteamPros, the seat wall (equipment wall) must be swung open. To do so, remove the three screws from door frame (refer to page 17, diagram A). Then remove right front panel. Refer to page 11 and remove the four bolts indicated. Swing seat wall open far enough to remove cascade line from cascade tee by loosening spring clamp (refer to page 21). Swing seat wall fully open and turn the water supply OFF. Unplug the SteamPros' power cords and disconnect all plumbing. Remove the SteamPros from their mounting (refer to illustration below).
3. Flush the tanks out; the drain plug can be removed with an 8 mm hexagonal wrench.
4. Reinstall SteamPros. Turn ON the water supply and check for leaks. Reattach cascade line.
5. Close seat wall, reinstall bolts, screws and panel.
6. Turn ON power to the unit.



Troubleshooting Chart

PROBLEM	PROBABLE CAUSE	REMEDY
1. Control is on and appears to be functioning, but no steam.	A. Steamer heating up. B. High limit safety switch tripped.	A. Allow 2 minutes for steam to flow. B. Replace water filter, drain and flush out steamer and steam plumbing. Pour six ounces of water into the steam delivery tube. Reset high limit safety switch.
2. Steam generator will fill and produce steam, but will boil water away without refilling and shut itself off.	A. There is a high concentration of mineral buildup in the tank water because of continued use without draining the tank. This causes faulty water fill operation, and the high temperature safety switch will trip.	A. Replace water filter, drain and flush out steamer and steam plumbing. Pour six ounces of water into the steam delivery tube. Reset high limit safety switch.
3. Excess water is exhausted from the steam head.	A. There is a high concentration of mineral buildup in the tank.	A. Replace water filter, drain and flush out steamer and steam plumbing. Pour six ounces of water into the steam delivery tube.

**PRODUCT SPECIFICATIONS ARE SUBJECT TO CHANGE WITHOUT NOTICE.
USE INSTALLATION INSTRUCTIONS SUPPLIED WITH PRODUCT.**

Jacuzzi Whirlpool Bath has obtained applicable code (standards) listings generally available on a national basis for products of this type. It is the responsibility of the installer/owner to determine specific local code compliance prior to installation of this product. Jacuzzi Whirlpool Bath makes no representation or warranty regarding, and will not be responsible for any code compliance.

Jacuzzi Whirlpool Bath
P.O. Box 702168, Dallas, TX 75370-2168
Service Support: Call (800) 288-4002



Jacuzzi Whirlpool Bath Limited Warranty Shower System Product

WARRANTY COVERAGE

Jacuzzi Whirlpool Bath (the "Company") offers the following express limited warranty to the original purchaser of any Jacuzzi Whirlpool Bath Shower System product ("unit") who purchases the product for personal or single family use ("user"). The Company will repair or replace, at its option, the unit or its equipment in accordance with the following terms and conditions.

ONE YEAR LIMITED WARRANTY ON SHOWER SYSTEM

Our warranty on Shower System products is for one (1) year. Our warranty covers the unit and factory-installed components (e.g., pump, motor) against defects in material or workmanship. Warranty coverage begins on the date the unit was originally purchased by the user.

NINETY DAY (PARTS ONLY) LIMITED WARRANTY ON OPTIONS AND ACCESSORIES

Our warranty on options and accessories manufactured by the Company is for ninety (90) days for parts only. Our warranty covers options and accessories manufactured by the Company (e.g., fill spout kits, trim kits, skirts) against defects of material or workmanship. Warranty coverage begins on the date the option or accessory was originally purchased by the user.

WARRANTY LIMITATIONS

Our warranty does not cover defects, damage, or failure caused by the common carrier, installer, user, or other person, or resulting from, without limitation, any of the following: careless handling (lifting unit by plumbing, abrading finish, etc.); modification of any type for any reason (including modification to meet local codes); improper installation (including installation not in accordance with instructions and specifications provided with the unit); connections supplied by the installer of the equipment; improper voltage supply or unauthorized electrical modification; misuse; incorrect operation, or lack of proper routine maintenance; operation of the unit without specified minimum amount of water or at inappropriate water temperature; use of abrasive or improper cleaners; or acts of God, such as lightning, floods, earthquakes, etc.

In addition, THE COMPANY WILL NOT BE RESPONSIBLE FOR INCIDENTAL OR CONSEQUENTIAL DAMAGES or losses arising from any cause (e.g., water damage to carpet, ceiling, loss of use, etc.) including its own negligence; damages to, respecting, or resulting from: plated parts when chemicals are used in the unit; optional equipment not manufactured by the Company, supplied by Dealer, installer or the Company; the unit's prior usage as an operational display; or defects that should have been discovered before installation. This limited warranty does not include: labor, transportation, or other costs incurred in the removal and/or reinstallation of the original unit and/or installation of a replacement unit; any costs relating to obtaining access for repair; or loss of use damage, including loss of sales, profit or business advantage of any kind under any circumstances. Units in commercial use are excluded from any warranty coverage whatsoever.

Warranty coverage is provided in the United States of America only.

IMPLIED WARRANTIES

Implied warranties of merchantability and fitness for a particular purpose are disclaimed altogether or to the full extent allowed by law.

NOTICE: This warranty gives you specific legal rights, and you may also have other rights which vary from state to state. There are no warranties applicable to Jacuzzi Whirlpool Bath products except as expressly stated herein or as implied by applicable state and federal laws. The Company will not be responsible for any statements or representations made in any form that go beyond, are broader than or are inconsistent with any authorized literature or specifications furnished by the Company.

Some states do not allow limitations on how long an implied warranty lasts, or the exclusion or limitation of incidental or consequential damages, so the above limitations and exclusions may not apply to you.

RETURN OF WARRANTY CARD

The attached pre-addressed Warranty Registration Card MUST be filled out by the purchaser within thirty (30) days from purchase and mailed to Jacuzzi Whirlpool Bath in order for this warranty to become effective.



Jacuzzi Whirlpool Bath
P.O. Drawer J
Walnut Creek, CA 94596-9885

RESPONSIBILITIES OF OTHERS

Inspecting the unit prior to installation is the responsibility of the installer or building contractor who acts on behalf of the user. They are responsible for ensuring the unit is free of defect or damage. Notices are placed on and in the unit and on the shipping carton advising the installer of this responsibility. In the event of a problem, the unit must not be installed. The Company is not responsible for failures or damage that could have been discovered, repaired, or avoided by proper inspection and testing prior to installation.

Damage occurring in transit is the responsibility of the carrier. The user or installer MUST open the crates and inspect the unit for damage when it is delivered. If damage is discovered, it must be reported immediately to the seller and the carrier in writing, and an inspection requested. Failure of the carrier to respond should be reported to the seller and the carrier. Your freight claims should be filed promptly thereafter.

It is the responsibility of the installer, building contractor, or user to provide access for service. The Company is not responsible for any costs relating to obtaining access for repair. The user shall bear such costs and, if appropriate, must seek recovery from the installer.

Damage occurring to the unit during installation is the responsibility of the installer and/or building contractor and damage occurring thereafter is the responsibility of the user.

Failure of any optional equipment is the sole responsibility of the equipment manufacturer. (Options and accessories manufactured by the Company are warranted for ninety (90) days from the original date of purchase for parts only.)

The Distributor or Dealer is responsible for knowing local code requirements and notifying the installing contractor and/or user of these requirements at the time of purchase. The Company is not responsible for costs to modify any product to obtain any code approval, such as city, county, or state building codes.

WARRANTY SERVICE

For the customer's benefit, the Company maintains a list of independent service personnel to perform required warranty service repairs. Such firms are not agents or representatives of the Company and cannot bind the Company by words or conduct.

The Company will provide the warranty service described above when the following conditions have been met: the failure is of the nature or type covered by the warranty; the user has informed an Authorized Jacuzzi Whirlpool Bath Service Agent or Warranty Service Department Representative of the nature of the problem during the warranty period; conclusive evidence (e.g., proof of purchase or installation) is provided to the foregoing by the user proving that the failure occurred or was discovered within the warranty period; an authorized independent service person or Company representative has been permitted to inspect the unit during regular business hours within a reasonable time after the problem was reported by the user.

In order to obtain warranty service, consult your local telephone book for the location of the nearest Jacuzzi Whirlpool Bath Authorized Service Agent. Describe the problem and the Authorized Service Agent will inspect the unit and provide the required warranty service.

If you are unable to contact a Jacuzzi Whirlpool Bath Authorized Service Agent, call or write:

Jacuzzi Whirlpool Bath
Warranty Service Department
P.O. Box 702168
Dallas, Texas 75370-2168
Call: (800) 288-4002

To obtain warranty replacement for factory-installed components or Company supplied options and accessories manufactured and supplied by the Company, call or write the above. Provide a description of the problem and proof of purchase. You will be instructed how to obtain replacements and where to return, at your expense, the failed component(s), option(s), or accessory(ies).

All replacement parts, equipment, and repairs shall assume the remaining warranty period of the part(s) replaced.

The Company's warranty obligation shall be discharged upon tender of replacement or repair. The customer's refusal to accept the tender terminates the Company's warranty obligation.

Ninety-Day
Parts Only
Limited Warranty
On
Accessory(ies)

Jacuzzi® is a Federally registered trademark owned by Jacuzzi Inc.

©Copyright 1997 Jacuzzi Whirlpool Bath K922000 8/13/04



**Warranty
Registration Card**

This card must be filled out and returned to the address printed on the other side within thirty (30) days from date of purchase in order for this warranty to be come effective.

Purchaser's Name _____

Purchaser's Address _____

City _____ State _____ Zip _____

Date of Purchase _____

Model Name _____

Serial Number _____

Dealer's Name _____

Dealer's Address _____

1. How did you first hear about this Jacuzzi® product?
 Advertisement Article in Magazine/Newspaper
 Visited Dealer/Plumbing Supplier Yellow Pages
 Builder/Plumber/Renovator Decorator/Architect
 Visited Retailer/Home Center Store
 Word of Mouth... Friend/Relative/Acquaintance
 Other... Please Describe _____

2. Who first gave you specific information about this product (specifications, prices, etc.)?
 Dealer/Plumbing Supplier Builder Renovator
 Plumbing Contractor Retailer/Home Center Store
 Decorator/Architect Already installed
 What was the main reason for purchase?
 Styling Warranty Service Product Features
 Brand Name Price Hydrotherapy
 Home Resale
 Other _____

3. Who finally decided which product you would buy?
 Self Spouse Self and Spouse Together
 Other Family Member Designer/Architect
 Builder/Plumber/Renovator Already installed
 Who installed? Already installed/New Home
 Contractor/Plumber when remodeling
 Self/Spouse when remodeling
 Other _____

4. What is the current market value of this property?
 Please estimate \$ _____ years

5. What other manufacturers did you consider?
 Eiler Lasco Price Pfister Aqua Glass
 Kohler American Standard Sterling
 Other (Specify) _____

6. How long did you shop before purchasing unit?
 1 day 2 months-6 months
 2-7 days 6 months-1 year
 1 week-2 weeks 1 Year-2 years
 2 weeks-4 weeks +2 years
 1 month-2 months

7. Approximately how long have you lived in this home?
 Please indicate, approximately, the total annual income of your household.
 Up to \$24,999 \$50,000 to \$74,999
 \$25,000 to \$29,999 \$75,000 to \$99,999
 \$30,000 to \$39,999 \$100,000 to \$149,999
 \$40,000 to \$49,999 \$150,000 and above

8. Was your purchase process?
 Very easy Easy Difficult Very difficult
 Somewhat aware Very aware

9. How technically aware were you of the patented Jacuzzi® jet system prior to your purchase?
 Not aware Somewhat aware Very aware

Ninety-Day
Parts Only
Limited Warranty
On
Accessory(ies)

JACUZZI WHIRLPOOL BATH

K922000
8/13/04

Free Manuals Download Website

<http://myh66.com>

<http://usermanuals.us>

<http://www.somanuals.com>

<http://www.4manuals.cc>

<http://www.manual-lib.com>

<http://www.404manual.com>

<http://www.luxmanual.com>

<http://aubethermostatmanual.com>

Golf course search by state

<http://golfingnear.com>

Email search by domain

<http://emailbydomain.com>

Auto manuals search

<http://auto.somanuals.com>

TV manuals search

<http://tv.somanuals.com>