



# UNDERMOUNT LAVATORY

## INSTALLATION INSTRUCTIONS

Installer: Leave this manual for homeowner.

Homeowner: Read this manual and keep for future reference.

**Save These Instructions for Future Use.**

### *Owner's Record*

Date Purchased \_\_\_\_\_

Purchased From \_\_\_\_\_

Installed By \_\_\_\_\_

Serial Number \_\_\_\_\_

Model \_\_\_\_\_

# BEFORE YOU BEGIN

## READ AND FOLLOW ALL INSTRUCTIONS

- Observe all local plumbing and building codes.
- Carefully inspect the new lavatory for damage.
- If the existing lavatory does not have supply shut-off valves, you will install them before installing the new lavatory.
- Rough-in information is included with your lavatory. The rough-in information shown will be helpful in placing the lavatory, water supply piping, shut-off valves and drain in their proper positions.

**⚠ CAUTION:** Your new lavatory is finished to an attractive high gloss. It may also be heavy and difficult to lift. To protect the finish and avoid possible damage before and after installation, please handle your lavatory with care. Place the lavatory on a thick bed of newspapers when working on it before installation.

## TOOLS AND MATERIALS

You can determine which tools and materials are necessary by reading the complete installation instructions and examining the job you have to do.

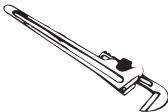
These are normally needed:

utility knife  
flat blade screwdriver  
drill  
saber saw or keyhole saw  
emery cloth

basin or pail and sponge  
hammer and nails  
chisel  
square  
cardboard, newspapers or a dropcloth



Level



Pipe Wrench  
(12")



Adjustable Wrench  
(10")



Basin Wrench



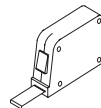
Safety Glasses



Hacksaw



Tubing Cutter



Tape Measure

The following materials are optional, in case existing materials are unusable:  
Two (2) shut-off valves with 1/2" I.P.S. outlet, (check house piping to determine valve inlet dimension.),  
1/2" I.P.S. hot and cold water supply tubes with compression nut and ferrule,  
drain tail pipe (two for double bowl sinks) and trap,  
additional drain pipe as required,  
2" x 4" board

# REMOVING YOUR OLD LAVATORY

For new construction begin with **INSTALLING YOUR NEW LAVATORY**

1. Turn off the water supply. This is done by closing the two shut-off valves located under the lavatory.

If there are no shut-off valves leading to the lavatory, you must turn off the water at the main valve. This is usually located in the basement, garage, or near the foundation on the outside of the house. It may also be near the water meter.

Check to be sure the water is off by turning on the faucet where you are working until the water stops flowing.

If you have shut off the main valves in a two-story house or greater, you should open another faucet on the same or lower level. Water will then drain from the entire line. This will help avoid spills. Be sure and close the faucets before you turn on the main valve again.

2. Disconnect the drain pipes. Take off as many sections as possible between the lavatory and the wall or floor to facilitate removal.

Place a basin under work area to catch any water that may still be in the drain.

3. Before removing anything else, check to see how the lavatory is supported. If the pipes in the wall are providing support for the lavatory, use care in removing the faucet connections. The lavatory may fall once the faucet is disconnected, so have a helper hold it up while you work.

Look under the lavatory to see if there are lugs holding it to the countertop. Do not remove the lugs until you have first braced the lavatory against falling.

You may be able to shore it up with pieces of lumber from below. Or you can rig the support as shown in **Figure 1**. This support consists of a strong wire or cord draped over a 2" x 4". Drop the wire through the drain and tie it to a block of wood. Twist the cord until the block of wood is snug against the tailpiece and provides a sure support for the lavatory.

You may then unscrew the lugs and lower the lavatory by carefully untwisting the block of wood.

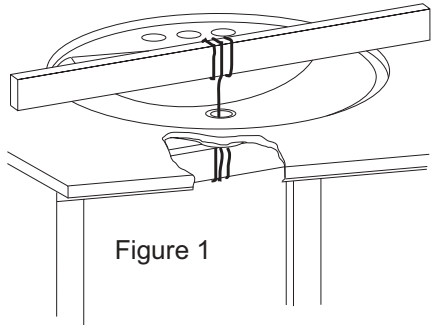


Figure 1

Detach the faucet from the shut-off valves by unscrewing the compression nut at the joints between the valves and the water supply tubes.

If the connection is corroded you may need to cut off the nut with a hacksaw. If there is no nut or shut-off valve, use a tube cutter or hacksaw to separate the faucet from the water supply tubes.

Keep the basin and sponge handy for water that remains in the pipe and faucet.

# INSTALLING YOUR NEW LAVATORY

There are many ways to install an undermount sink, and the details of the installation will depend on the quality of your cabinets and countertop. This installation guide describes only one way of installing an undermount sink. These instructions assume that you are working with a base cabinet with no sink or countertop currently installed. The countertop you are going to install will also need to have holes cut to accommodate the sink and faucet.

1. Determine the centerline of the sink position and alignment with cabinet and countertop. A template is provided for locating the sink bowls and faucet holes.

2. Attach two support boards to the sides of the cabinet, one in front and one in back, placing them 20 1/2" apart and equal distances from the centerline (See **Figure 2**, A). Place the boards at the proper height to allow the top of the sink to be flush with the top of the cabinet. It may be necessary for you to reinforce the sides of the cabinet for it to support the 350-pound minimum.

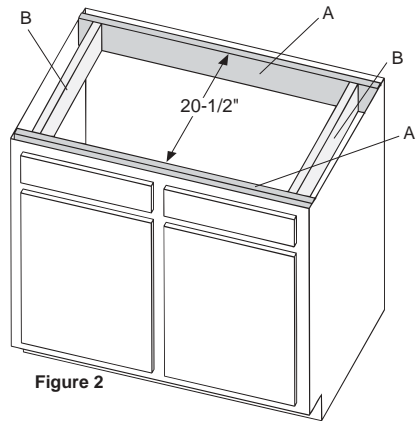


Figure 2

3. Rest your sink on the support boards and slide it from side to side until it is centered. At this point, you can also check the sink cutout measurements of your countertop.

4. Now that you have the sink in position, attach two more 20 1/2" boards between the support boards (See **Figure 2**, B).

5. Shim the sink to bring it to the proper height.

6. Install the countertop. Put a seal of caulk between the sink and countertop to prevent water leaks.

7. Install the basket strainer. First, clean around the drain hole with a damp cloth to remove any dust or other particles that may interfere with a watertight seal. Remove the washers and nuts from the basket strainer. Pack the underside of the basket with Plumbers Putty and push it firmly in place. Put the large rubber washer over the basket threads from under the sink, followed by the thin washer (may be made of paper, fiber, or metal). Thread the large metal lock nut onto the strainer body and tighten (See **Figure 3**).

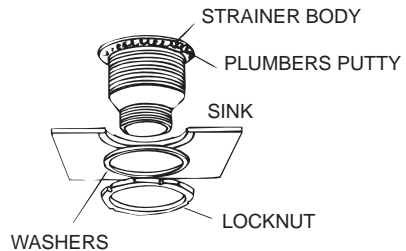


Figure 3

8. Installer must determine the best way to drill holes in the countertop, ensuring proper alignment with the sink without damaging the finished countertop surface.

9. Install the faucet according to the faucet installation instructions, inserting the faucet through the faucet holes in the sink and the countertop. The faucet holes in the sink have been enlarged to allow the faucet to be raised through the countertop. When the faucet is securely in place, attach the new hot and cold water supply tubes to the faucet tubes.

10. Connect the drain tailpiece to the bottom of the pop-up, then fasten the trap and drain extension to the wall stub-out in the wall. **See Figure 4.** You may use metal or plastic drain pipe and trap, following the directions provided by the manufacturer.

11. Use a tube cutter to trim the free ends of the hot and cold supply tubes to at least 1/4" longer than necessary to reach into the inlets of the shut-off valves. It is better to cut the tubes longer than needed, then trim them again. Remove any burrs or sharp edges with an emery cloth.

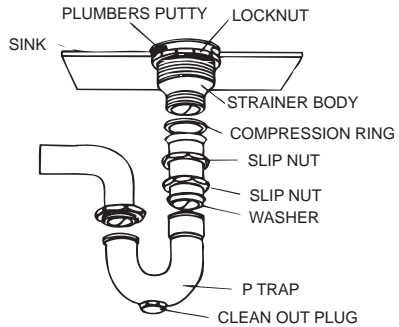


Figure 4

The supply stop handles cannot extend more than 3" (7.6 cm) from the finished wall when in the open position.

Join the hot and cold water supplies to the shut-off valves as instructed by the faucet manufacturer.

12. Turn on the main water supply then open the shut-off valves. Check all connections for leaks. A slight tightening of about 1/4 turn will normally stop any leaks.

## CARE AND CLEANING

For general cleaning, use a mild, nonabrasive soap and warm water. Do not use abrasive cleaners. Such cleaners contain sand or silica and will eventually scratch the surface.

## PARTS

### Parts Policy

In order to avoid unnecessary delay or uncertainty in the satisfaction of warranty claims, buyers are advised to return alleged defective parts to the place of purchase. Sellers are authorized to address and resolve all warranty claims on fixtures directly with buyers.

Your limited warranty is packed in with your lavatory.

Faucets are not included. All fixture dimensions are nominal and may vary within the range of tolerances established by ANSI Standards A112.19.4. All measurements shown are subject to change or cancellation.

## QUESTIONS? / PROBLEMS?

Please review the Installation Instructions in this manual to ensure correct installation. For additional assistance, please call:

Jacuzzi Whirlpool Bath  
Service Support Department  
1-800-288-4002.

If you need assistance with operation or maintenance related questions, please call our Service Support Department at 1-800-288-4002. For service agent listing, visit our web site at <http://www.jacuzzi.com/>.

# LIMITED WARRANTY

JACUZZI WHIRLPOOL BATH (“Jacuzzi Whirlpool Bath”, “we”, “us”, “our”), warrants to the original consumer/purchaser for the applicable warranty period set forth below, that the products we sell are free from defects in material and workmanship, except as otherwise indicated below.

PRODUCTS	WARRANTY PERIOD (commences upon date originally installed for its intended purpose)
• All cast iron sink products with porcelain enamel finish.	Limited lifetime vessel warranty to the original consumer/purchaser only. The porcelain enamel finish is warranted for one (1) year.
• 1.6 gpf/6 ltr. china toilets.	Five (5) years.
• All other china products and kitchen sink accessories.	Two (2) years.
• All toilet seats.	One (1) year.

**ANY IMPLIED WARRANTY OF MERCHANTABILITY OR FITNESS FOR A PARTICULAR PURPOSE ON THESE PRODUCTS IS LIMITED IN DURATION TO THE WARRANTY PERIOD SPECIFIED ABOVE. SOME STATES DO NOT ALLOW LIMITATIONS ON HOW LONG AN IMPLIED WARRANTY LASTS, SO THE ABOVE LIMITATIONS MAY NOT APPLY TO YOU.**

**This limited warranty does not cover:**

- (a) damage to any products based on or resulting from improper installation or repair, misuse or abuse (including but not limited to excessive operating conditions), or alteration or adjustment other than in conformity with our specifications or instructions, whether performed by a contractor, service company or yourself;
- (b) damages resulting from failure to reasonably clean, care for or maintain a product in accordance with our instructions/recommendations; or,
- (c) any products we sell that have been moved or removed from their original installation site.

## LIMITED WARRANTY (cont'd)

If you believe that a product fails to meet the above limited warranty, you should notify us in writing prior to expiration of the applicable warranty period set forth above at the following address:

Jacuzzi Whirlpool Bath  
Warranty Service Department  
P.O. Box 702168  
Dallas, TX 75370-2168

Notification should include a description of the product, model number and how the product fails to meet the above warranty. Upon receipt of a written claim under this limited warranty and evidence of the date of purchase or installation, and after inspection by an authorized Jacuzzi Whirlpool Bath representative, at our option and in our sole discretion, we will either repair or replace the product with a Jacuzzi Whirlpool Bath product of the same or similar type and size; provided, however, that we will not pay any costs (labor or otherwise) associated with either removing a previously installed product; installing a replacement product; or transportation or return of a product.

**JACUZZI WHIRLPOOL BATH WILL NOT BE LIABLE FOR ANY OTHER LOSS OR EXPENSE(S) NOT SPECIFICALLY DESCRIBED ABOVE, AND DISCLAIMS ANY LIABILITY FOR CONSEQUENTIAL OR INCIDENTAL DAMAGES.**

**SOME STATES DO NOT ALLOW THE EXCLUSION OR LIMITATION OF INCIDENTAL OR CONSEQUENTIAL DAMAGES, SO THE ABOVE EXCLUSION MAY NOT APPLY TO YOU.**

**THIS WARRANTY GIVES YOU SPECIFIC LEGAL RIGHTS AND YOU MAY ALSO HAVE OTHER RIGHTS WHICH VARY FROM STATE TO STATE.**





## Free Manuals Download Website

<http://myh66.com>

<http://usermanuals.us>

<http://www.somanuals.com>

<http://www.4manuals.cc>

<http://www.manual-lib.com>

<http://www.404manual.com>

<http://www.luxmanual.com>

<http://aubethermostatmanual.com>

Golf course search by state

<http://golfingnear.com>

Email search by domain

<http://emailbydomain.com>

Auto manuals search

<http://auto.somanuals.com>

TV manuals search

<http://tv.somanuals.com>