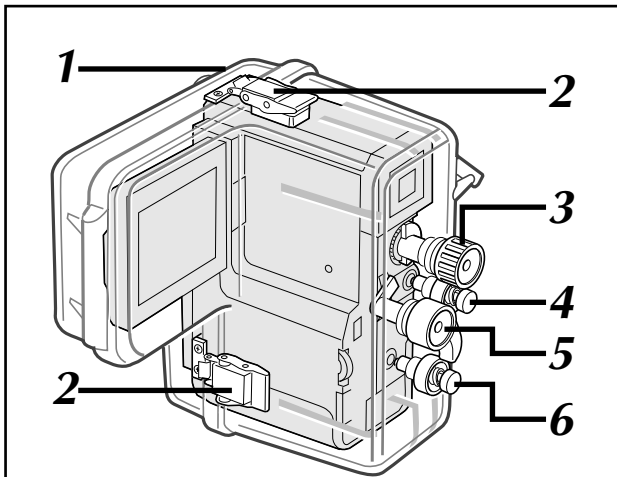


## WR-DVXU Marine Case

User's Manual

ENGLISH

### Names of the parts



- 1 ..... Marine case front lid
- 2 ..... Buckle
- 3 ..... Power dial
- 4 ..... START/STOP button
- 5 ..... Zoom lever
- 6 ..... SNAPSHOT button

### Please read before use.

This marine case is a precision instrument designed to permit safe video recording under high water pressure. Please pay careful attention when handling the unit before and after use, as explained in this user's manual.

Each part of the marine case has been subject to strict controls during the manufacturing process, and the individual functions have faced stringent tests during the assembly process. Each marine case has also had to pass water-proof inspections using high-pressure water testers. However, damage can sometimes occur during transport and distribution, or during storage after purchase, so before diving always carry out the following pre-use test to verify safety.

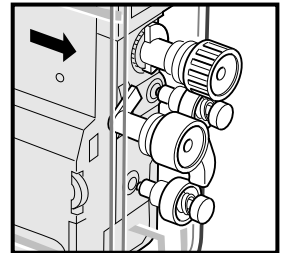
### Pre-use test

When using the marine case for the first time after purchase, or after it has been in storage for a long time, dive to the usage depth with only the empty marine case (without mounting the camcorder inside), and test for water leaks.

### Mounting method and operating method for each part

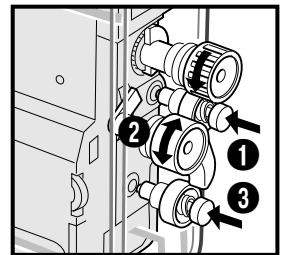
1. Remove the four buckles on the marine case and open the front lid.
2. Remove the camcorder hand strap or grip strap.
3. Open the LCD monitor, then insert the camcorder into the marine case.

4. Position so that the power dial projection in the marine case pushes the lock button located on the camcorder power dial.



5. Turn the marine case power dial to the left to move the camcorder power dial to the "A" position.

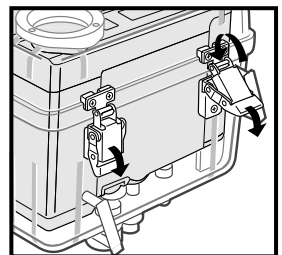
6. Place the included anti-fogging silica gel in the gap between the camcorder and the marine case to prevent fogging in the marine case.



7. Before sealing the marine case, check that there is no sand, dirt, or other foreign matter on the O-ring mounted on the front lid or on the O-ring contact surface on the main unit. Also make sure that the inserted silica gel bag is not pinched. If you dive with foreign matter trapped in these areas, water will leak.

8. Check that the O-ring on the front lid is correctly mounted in the groove, then press in the front lid. Flip down the four buckles in the directions indicated by the arrows in the figure on the right to seal the marine case.

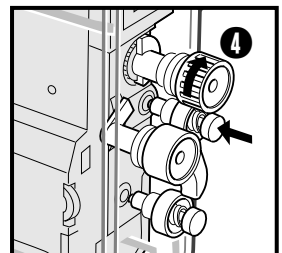
9. Press the START/STOP button once to start recording from the camcorder (1 in the figure on the right). Press the button again to stop recording (1 in the figure on the right).



10. The zoom can be adjusted with the zoom lever (2 in the figure on the right).

11. It is possible to take a snapshot using the SNAPSHOT button (3 in the figure on the right).

12. When you are finished shooting, turn the power dial to the right to switch the camcorder power dial to the Off position (4 in the figure on the right).



1. Never use any of the following chemicals for cleaning, rust-proofing, fog prevention, repair, or other purposes.
  - 1) Do not clean the marine case with alcohol, gasoline, paint thinner, or other volatile organic solvents, chemical cleaners or similar agents. (Pure water or lukewarm water is adequate for cleaning.)
  - 2) Do not use rust-proofing agents or the like on metal parts. (Stainless steel and aluminum are used for all metal parts, so pure water is adequate for cleaning.)
  - 3) Do not use commercially-available anti-fogging agents. (Always use the fogging agent that came with the marine case.)
  - 4) Do not use any silicon grease other than that specified for the O-ring. (Always use the silicon grease that came with the marine case.)
  - 5) Do not use any adhesives for repairs, etc. (If any repairs are necessary, please consult the store of purchase.)  
Direct or indirect use (vaporized chemicals) of any of the above chemicals on the marine case can cause cracks when the marine case is placed under high pressure.
2. Exercise caution, as this marine case is a completely airtight structure. If it is left exposed to direct sunlight, or in a car, ship, or on the beach, the internal temperature can climb extremely high, which may cause the camcorder inside to stop working properly.
3. Do not open or close the case in areas where it may be subjected to water spray or sand.
4. If you must open the marine case at the diving site in order to replace the battery or tape, observe the precautions below.
  - 1) Select a location safe from water spray and sand.
  - 2) Use the included blower or similar device to completely blow off water between the main unit and the lid section of the marine case, and to blow off water adhering to the buckles that fasten them. Dry off any water remaining on the marine case with a dry cloth.
  - 3) When removing the buckles and opening the lid section, be careful that no water drips from your hair or body into the marine case.
  - 4) In order to avoid touching the camcorder with hands that have salt water on them, place a towel dampened with pure water in a plastic bag beforehand and use it to wipe any salt off your hands and fingers before touching the camcorder.
5. After use, wash off adequately with pure water as soon as possible. If the marine case has been used in salt water, soaking the marine case in pure water for a while is effective for removing the salt.
6. After washing, wipe off any water with a dry cloth free of salt to completely dry off the marine case. However, do not expose the marine case to direct sunlight in order to dry it. This can cause discoloration and breakage of the marine case, and can speed up deterioration of the O-ring.
7. Wipe the inside of the marine case with just a dry cloth. Maintain the transparency of the front glass inside by wiping it with a silicon cloth or the like before and after use.
8. Remove the O-ring from the lid section and wipe off any salt, sand, and other foreign matter. In the same manner, wipe off any adhering foreign matter from the groove into which the O-ring was fit and from the main unit of the marine case where the O-ring contacted it. When removing the O-ring from the groove, avoid using sharp-tipped metal objects; instead use a round-tipped object, such as a hair pin, to avoid damaging the O-ring when you remove it.
9. When the marine case will be left unused for a prolonged time, to avoid O-ring deformation remove the O-ring from the marine case groove, apply a thin film of silicon grease, and store it in a clean plastic bag. When setting the O-ring in place to use the marine case again, carefully check the O-ring for scratches and cracks.
10. Since the marine case is made of acrylic plastic, handle it carefully. In particular, it can be easily scratched by rocks, etc. at the shooting site and may be damaged if it is dropped or otherwise subject to shock. When going to the shooting site by car, ship, train, or plane, avoid transporting the camcorder in the marine case. If you take adequate handling precautions, however, there should be no problem in transporting the camcorder in the marine case for a short distance, for example from the target site to the diving site.
11. Avoid removing any parts other than those indicated in the user's manual, altering the marine case, or using any parts other than those specified. If any problems occur, please consult the store of purchase.
12. The appearance and specifications of this unit are subject to change without prior notice.

## Main specifications

<b>Maximum pressure</b>	: Water depth up to 20 meters
<b>Power switch</b>	: Mechanism can be used
<b>Recording switch</b>	: Mechanism can be used
<b>Main unit dimensions</b>	: 150 (w) x 140 (d) x 160 (h) mm
<b>Main unit weight</b>	: 630 g
<b>Compatible model</b>	: GR-DVX
<b>Accessories</b>	: Maintenance kit (silicon grease, anti-fogging silica gel, blower, paper, lens cleaning solution, silicon cloth, cotton swabs, carrying case, O-ring)

## Free Manuals Download Website

<http://myh66.com>

<http://usermanuals.us>

<http://www.somanuals.com>

<http://www.4manuals.cc>

<http://www.manual-lib.com>

<http://www.404manual.com>

<http://www.luxmanual.com>

<http://aubethermostatmanual.com>

Golf course search by state

<http://golfingnear.com>

Email search by domain

<http://emailbydomain.com>

Auto manuals search

<http://auto.somanuals.com>

TV manuals search

<http://tv.somanuals.com>