



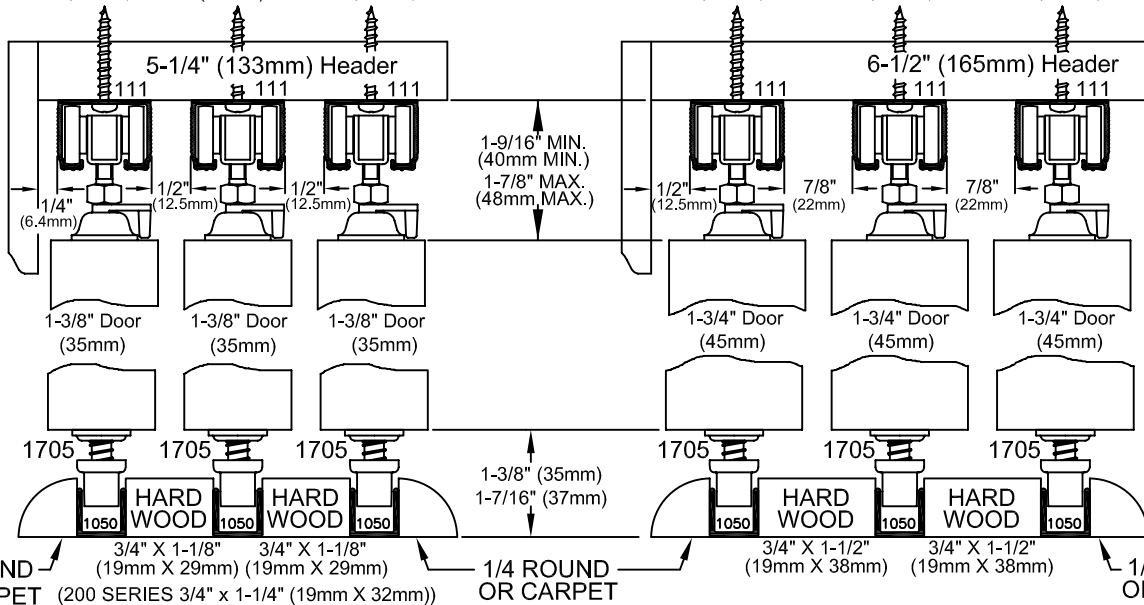
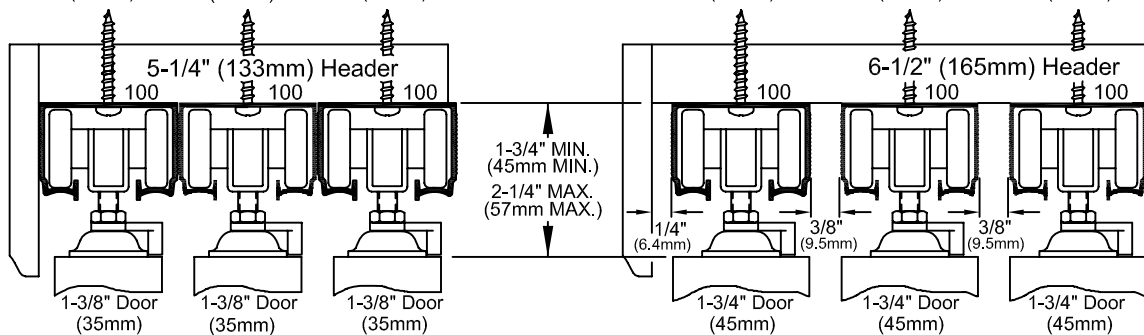
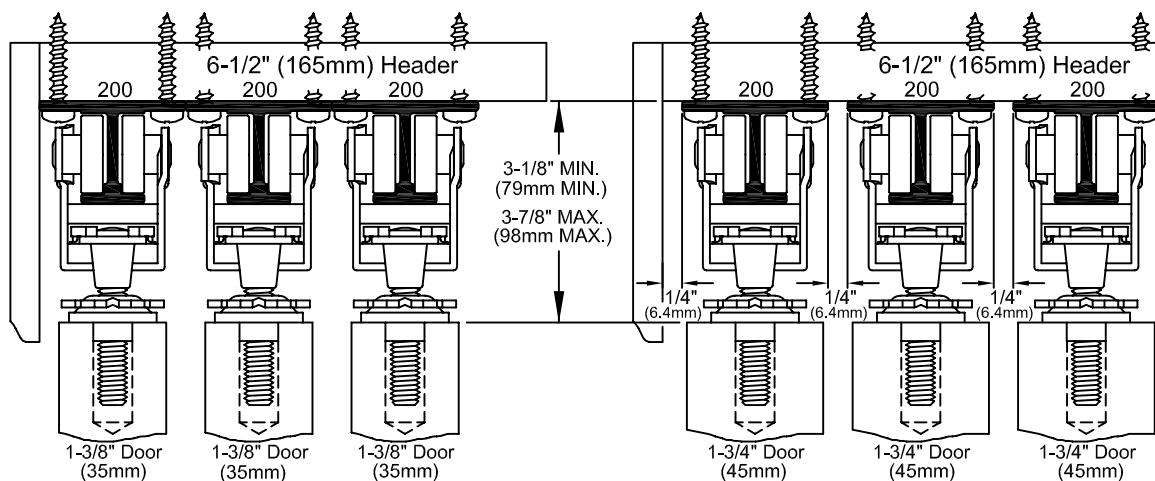
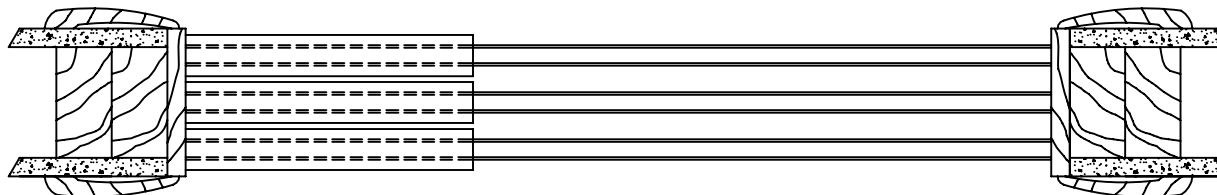
INSTRUCTIONS

200/100/111MD

FOR 1-3/8" (35mm)
TO 1-3/4" (45mm)

www.johnsonhardware.com

MULTI-PASS SLIDING DOOR HARDWARE
FINISHED OPENING WIDTH 3X DOOR WIDTH -2" (50mm)



Free Manuals Download Website

<http://myh66.com>

<http://usermanuals.us>

<http://www.somanuals.com>

<http://www.4manuals.cc>

<http://www.manual-lib.com>

<http://www.404manual.com>

<http://www.luxmanual.com>

<http://aubethermostatmanual.com>

Golf course search by state

<http://golfingnear.com>

Email search by domain

<http://emailbydomain.com>

Auto manuals search

<http://auto.somanuals.com>

TV manuals search

<http://tv.somanuals.com>