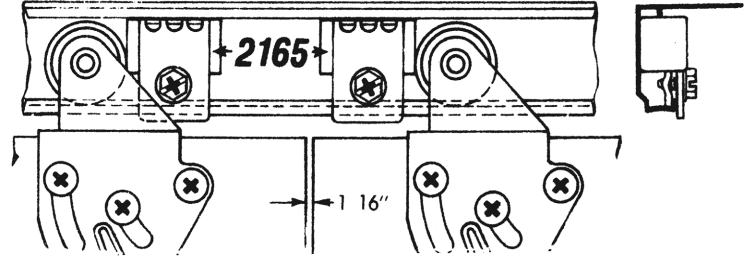
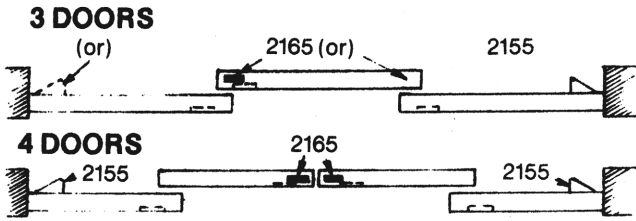


INSTRUCTIONS

2255 3 or 4 Sliding Door Stop Kit

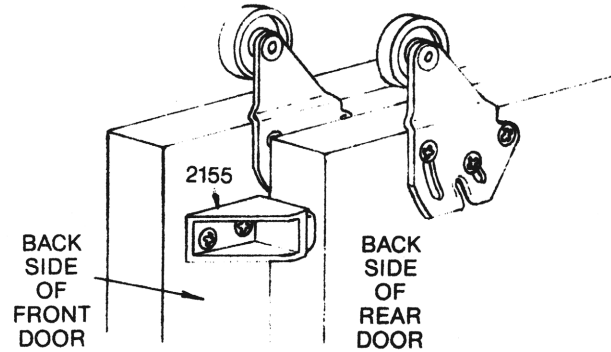
FOR JOHNSON TRACKS:
1138, 1166, 1222F, 2200, 2200F, 2204F,
2222, 2550F, 2600F, 2800, 2800F, 2850



Locate center door(s) in closed position. Snap 2165 stop over back lip of rear leg of track and slide against wheel as shown. Tighten securely using screwdriver or wrench.

Open center doors as far as possible leaving pulls exposed for access. Locate a firm base on rear of front door and position 2155 stop against edge of rear door. Fasten in place with screws.

NOTE: Do not rely on outer "skin" of hollow core doors to hold stop. Make sure that screws are all into the solid inner frame of door.



Free Manuals Download Website

<http://myh66.com>

<http://usermanuals.us>

<http://www.somanuals.com>

<http://www.4manuals.cc>

<http://www.manual-lib.com>

<http://www.404manual.com>

<http://www.luxmanual.com>

<http://aubethermostatmanual.com>

Golf course search by state

<http://golfingnear.com>

Email search by domain

<http://emailbydomain.com>

Auto manuals search

<http://auto.somanuals.com>

TV manuals search

<http://tv.somanuals.com>