



HEARTH PRODUCTS

HEARTH PRODUCTS
KITS AND ACCESSORIES

750,231M
REV. NC 06/2008

Cat. No	Model	Description
H5773	ADAGIO-AG	Arched Face Black Facade
H5774	ADAGIO-PF	Arched Face Brushed Nickel Facade

**INSTALLATION INSTRUCTIONS FOR FACADE KITS
FOR USE WITH ADAGIO™ DIRECT-VENT GAS FIREPLACES**



KIT CONTENTS:

Facade Kit

- 1 ea. Facade Assembly (1)
- 1 ea. Instruction Sheet

Filigree Inset Kit

- 1 ea. Upper Filigree inset (2)
- 1 ea. Lower Filigree inset (3)
- 7 ea. Washers #10 (4)
- 7 ea. Hex Head Nuts (5)

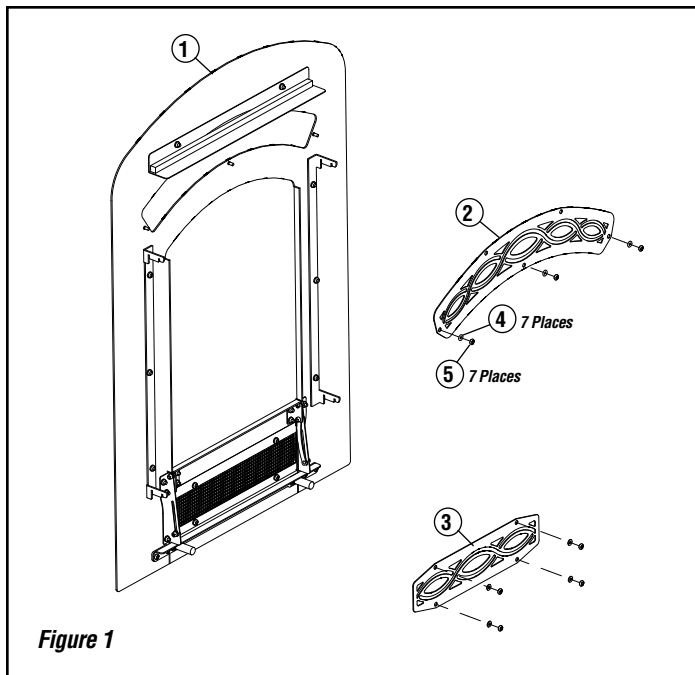


Figure 1

TOOLS / SUPPLIES NEEDED:

3/8" Socket or Nutdriver

GENERAL INFORMATION

The arched facade kits are offered in two attractive finishes, black and brushed nickel. If you encounter any problems or need clarification of these instructions, contact your local distributor or dealer.

Note: The base of the appliance will need to be elevated by 3/4" minimum above the floor to allow for the proper fit of the facade (i.e. 3/4" board as platform). See Installation Instructions Manual.

**Installer: Leave This Instruction Sheet With The Appliance.
Consumer: Retain This Instruction Sheet For Future Reference.**

The arched facade kits require a filigree inset kit. These kits are sold separately. Contact your dealer for ordering information.

Filigree Inset Kits (Sold Separately - Required)		
Cat. No.	Model	Description
H6845	ADAGIO-INSET-ASPEN-BK	Aspen, Black
H6846	ADAGIO-INSET-ASPEN-BN	Aspen, Brushed Nickel
H6847	ADAGIO-INSET-ASPEN-BKN	Aspen, Black Nickel
H6848	ADAGIO-INSET-ASPEN-G	Aspen, Gold
H6849	ADAGIO-INSET-NAPA-BK	Napa, Black
H6850	ADAGIO-INSET-NAPA-BN	Napa, Brushed Nickel
H6851	ADAGIO-INSET-NAPA-BKN	Napa, Black Nickel
H6852	ADAGIO-INSET-NAPA-G	Napa, Gold
H6853	ADAGIO-INSET-TUSCAN-BK	Tuscan, Black
H6854	ADAGIO-INSET-TUSCAN-BN	Tuscan, Brushed Nickel
H6855	ADAGIO-INSET-TUSCAN-BKN	Tuscan, Black Nickel
H6856	ADAGIO-INSET-TUSCAN-G	Tuscan, Gold

INSTALL ONLY WHEN FIREPLACE IS OFF AND COOL.

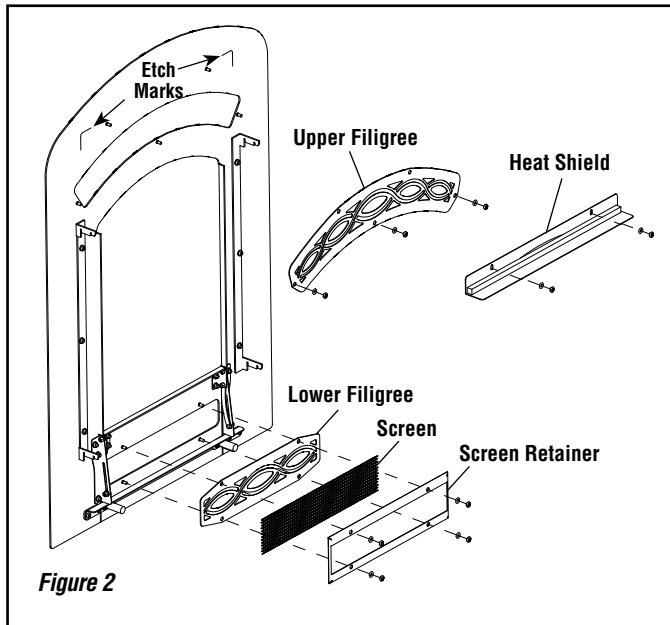
ALL WARNINGS, PRECAUTIONS AND INSTRUCTIONS PROVIDED IN THE INSTALLATION INSTRUCTIONS MANUAL AND THE CARE AND OPERATION MANUAL PROVIDED WITH THE APPLIANCE APPLY TO THESE INSTRUCTIONS. THOROUGHLY READ AND FOLLOW THE INSTRUCTIONS PROVIDED WITH THE APPLIANCE BEFORE PROCEEDING TO THE FOLLOWING INSTRUCTIONS.

INSTALLATION INSTRUCTIONS

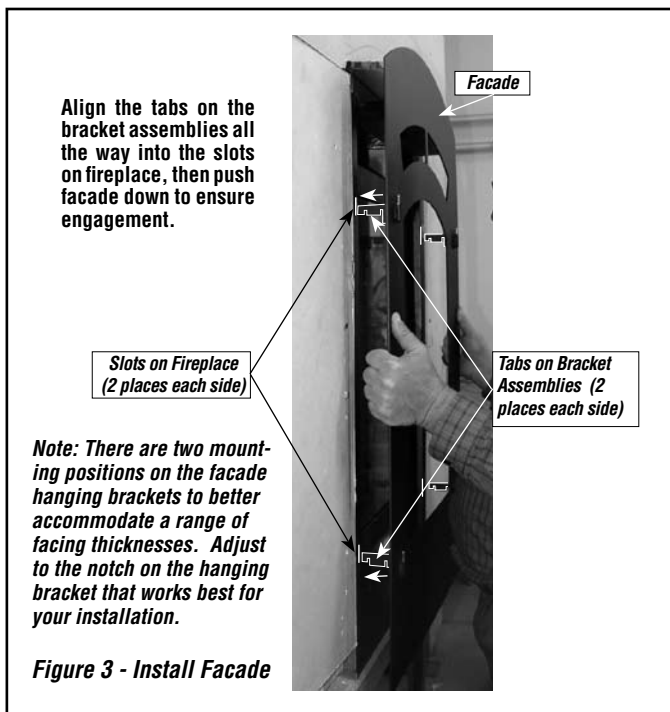
1. Install the appliance, firebox liner and logs per the Installation Instructions Manual provided with the appliance and the Installation Instruction Sheet provided with the firebox liner kit (sold separately).
2. Using a 3/8" socket or nutdriver, remove heat shield, screen retainer and screen from facade. See **Figure 2**.

NOTE: DIAGRAMS & ILLUSTRATIONS ARE NOT TO SCALE.

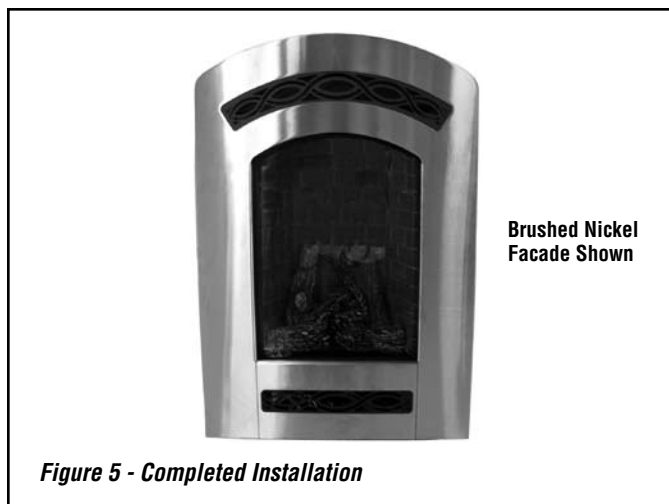
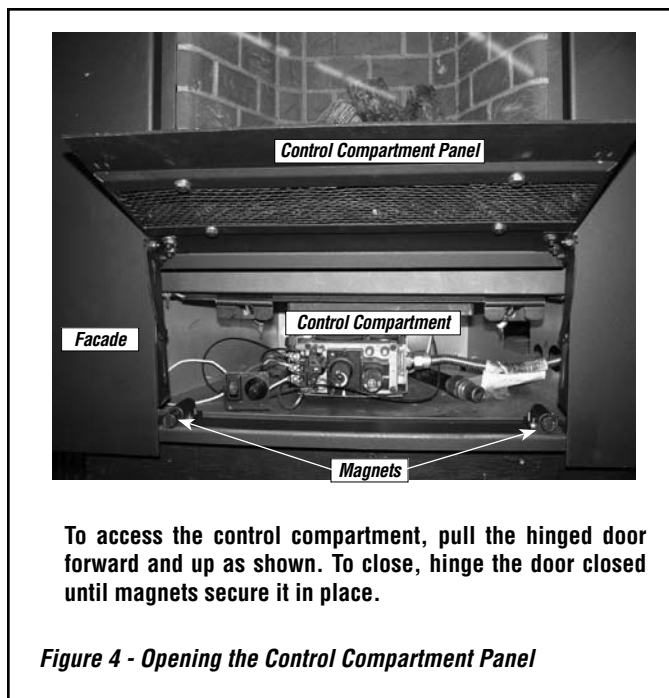
- Using a 3/8" socket or nutdriver, install the upper filigree inset, lower filigree inset, screen and screen retainer with provided washers and nuts as shown in **Figure 2**. *Note: you will have four extra washers and nuts.*
- Reinstall heat shield aligning the top corners of the heat shield with the etch marks in the back of the facade for proper placement. Do not over tighten nuts.



- Install the facade onto the fireplace face per instructions in **Figure 3**.



- See **Figure 4** for instructions on accessing the control compartment.



IMPORTANT NOTE (Gold and Nickel Finishes Only): The gold and nickel finishes will require heat to harden and cure (after approximately 3 fires, the finish will be completely cured). Prior to burning this appliance the gold and nickel surfaces should be cleaned thoroughly with a good window cleaning solution and a soft cloth. Do not use any metal polishes or abrasives to clean the surfaces. Any oils or fingerprints left on the finish during the curing process may become permanent blemishes.

NOTE: DIAGRAMS & ILLUSTRATIONS ARE NOT TO SCALE.

Lennox Hearth Products reserves the right to make changes at any time, without notice, in design, materials, specifications, prices and the discontinuance of colors, styles and products. Consult your local distributor for fireplace / insert code information.

Free Manuals Download Website

<http://myh66.com>

<http://usermanuals.us>

<http://www.somanuals.com>

<http://www.4manuals.cc>

<http://www.manual-lib.com>

<http://www.404manual.com>

<http://www.luxmanual.com>

<http://aubethermostatmanual.com>

Golf course search by state

<http://golfingnear.com>

Email search by domain

<http://emailbydomain.com>

Auto manuals search

<http://auto.somanuals.com>

TV manuals search

<http://tv.somanuals.com>