



HEARTH PRODUCTS

P/N 775,147M REV. E 03/2010



OTL Report No. 116-S-08-5

Ce manuel d'installation est disponible en français, simplement en faire la demande. Numéro de la pièce 775,147CF.

INSTALLATION INSTRUCTIONS

Direct-Vent
SEREFINA™ SERIES

ELITE™ SERIES

MODELS

CI1500DVF

CI2500DVF

WARNING AVERTISSEMENT

**HOT GLASS WILL
CAUSE BURNS.**

**DO NOT TOUCH GLASS
UNTIL COOLED.**

**NEVER ALLOW CHILDREN TO
TOUCH GLASS.**



**UNE SURFACE VITRÉE CHAUDE PEUT
CAUSER DES BRÛLURES.**

**LAISSER REFROIDIR LA SURFACE
VITRÉE AVANT D'Y TOUCHER.**

**NE PERMETTEZ JAMAIS À UN ENFANT
DE TOUCHER LA SURFACE VITRÉE.**

This appliance may be installed in an aftermarket permanently located, manufactured home (USA only) or mobile home, where not prohibited by local codes. This appliance is only for use with the type of gas indicated on the rating plate. This appliance is not convertible for use with other gases, unless a certified kit is used.

WARNING: If the information in these instructions is not followed exactly, a fire or explosion may result causing property damage, personal injury or death.

- Do not store or use gasoline or other flammable vapors and liquids in the vicinity of this or any other appliance.
- **WHAT TO DO IF YOU SMELL GAS**
 - Do not try to light any appliance.
 - Do not touch any electrical switch; do not use any phone in your building.
 - Immediately call your gas supplier from a neighbor's phone. Follow the gas supplier's instructions.
 - If you cannot reach your gas supplier, call the fire department.
- Installation and service must be performed by a qualified installer, service agency or the gas supplier.

INSTALLER: Leave this manual with the appliance.
CONSUMER: Retain this manual for future reference.

INSTALLATEUR: Laissez cette notice avec l'appareil.
CONSOMMATEUR: Conservez cette notice pour consultation ultérieure.

AVERTISSEMENT: Assurez-vous de bien suivre les instructions données dans cette notice pour réduire au minimum le risque d'incendie ou d'explosion ou pour éviter tout dommage matériel, toute blessure ou la mort.

- Ne pas entreposer ni utiliser d'essence ni d'autres vapeurs ou liquides inflammables dans le voisinage de cet appareil ou de tout autre appareil.
- **QUE FAIRE SI VOUS SENTEZ UNE ODEUR DE GAZ:**
 - Ne pas tenter d'allumer d'appareil.
 - Ne touchez à aucun interrupteur. Ne pas vous servir des téléphones se trouvant dans le bâtiment où vous trouvez.
 - Appelez immédiatement votre fournisseur de gaz depuis un voisin. Suivez les instructions du fournisseur.
 - Si vous ne pouvez rejoindre le fournisseur de gaz, appelez le service des incendies.
- L'installation et l'entretien doivent être assurés par un installateur ou un service d'entretien qualifié ou par le fournisseur de gaz.

TABLE OF CONTENTS

Packaging	Page 2
Introduction	Page 2
Safety and Warning Information	Page 3
General Information	Page 5
High Altitude	Page 5
Location	Page 6
New York City, New York (MEA)	Page 6
Commonwealth Of Massachusetts Requirements.....	Page 6
Specifications.....	Page 7
Appliance and Vent Clearances	Page 8
Manufactured Home Requirements.....	Page 9
Questions to Ask Local building Official	Page 9
Vent Termination Clearances	Page 9
Typical Installation Sequence	Page 11
Detailed Installation Steps.....	Page 11
Step 1 Preparation.....	Page 11
Step 2 Remove Packaging	Page 11
Step 3 Remove Stove From Pallet	Page 11
Step 4 Remove Front Glass	Page 12
Step 5 Remove Firebox Contents.....	Page 13
Step 6 Remove Cardboard Packaging.....	Page 13
Step 7 Install LP Conversion / Options	Page 13
Wiring Diagrams.....	Page 13
Step 8 Install Lower Access Door.....	Page 14
Step 9 Install Venting.....	Page 14
Step 10 Connect Gas Line.....	Page 18
Step 11 Install Log Set	Page 18
Step 12 Reinstall Front Glass	Page 20
Step 13 Perform Leak Test.....	Page 20
Step 14 Check Appliance Operation.....	Page 21
Step 15 Adjust Burner	Page 21
Step 16 Install Top, Trivet & Ash Lip.....	Page 22
Step 17. Attaching Safety in Operation Warnings	Page 23
Rating Plates.....	Page 24

This manual is part of a set of two supporting this product. Refer to manual 775,148M for Care and Operation.

This installation manual will help you obtain a safe, efficient, dependable installation for your appliance and vent system.

Please read and understand these instructions before beginning your installation.

These Millivolt appliances are listed by OMNI-Test Laboratories Inc. for installation in bedrooms and manufactured (mobile) homes.



We recommend that our gas hearth products be installed and serviced by professionals who are certified in the U.S. by the National Fireplace Institute® (NFI) as NFI Gas Specialists.

PACKAGING LIST

The assembled vented gas stove heater is packaged with:

- one - log set located in firebox
- one - ember strip located beneath stove body (on pallet)
- one - bag of glowing embers located in the firebox
- one - envelope containing the literature package which consists of the homeowner's manual, installation instructions and warranty; located on the top of the firebox
- one - cast iron top
- one - trivet
- one - natural gas to propane conversion kit
- one - ash lip
- one - lower access door
- four - leg levelers

INTRODUCTION

These vented gas heaters are sealed combustion, air circulating gas stoves designed for residential applications. These appliances must be installed with "Security Secure Vent™" or "Simpson Dura Vent" brand vent systems routed to the outside atmosphere (other brands may not be used).

Millivolt appliances are designed to operate on natural or propane gas. A millivolt gas control valve with piezo ignition system provides safe, efficient operation. External electrical power is required to operate the optional blower if installed on these units.

These appliances comply with National Safety Standards and are tested and listed by OMNI-Test Laboratories Inc.; Beaverton, Oregon (Report No. 116-S-08-05) to ANSI Z21.88 (in Canada, CSA-2.33), and CAN/CGA-2.17-M91 in both USA and Canada, as vented gas heaters.

Installation must conform to local codes. In the absence of local codes, installation must comply with the current National Fuel Gas Code, ANSI Z223.1. (In Canada, the current CAN/CSA-B149.1 installation code.) Electrical wiring must comply with the National Electrical Code ANSI/NFPA 70 - latest edition. In Canada, the current CSA C22-1 Canadian Electrical Code - latest edition.

DONOT ATTEMPT TO ALTER OR MODIFY THE CONSTRUCTION OF THE APPLIANCE OR ITS COMPONENTS. ANY MODIFICATION OR ALTERATION MAY VOID THE WARRANTY, CERTIFICATION AND LISTINGS OF THIS UNIT.

IMPORTANT SAFETY AND WARNING INFORMATION

! WARNING

Young children should be carefully supervised when they are in the same room as the appliance. Toddlers, young children and others may be susceptible to accidental contact burns. A physical barrier is recommended if there are at risk individuals in the house. To restrict access to a fireplace or stove, install an adjustable safety gate to keep toddlers, young children and other at risk individuals out of the room and away from hot surfaces.

! AVERTISSEMENT

Les jeunes enfants devraient être surveillés étroitement lorsqu'ils se trouvent dans la même pièce que l'appareil. Les tout petits, les jeunes enfants ou les adultes peuvent subir des brûlures s'ils viennent en contact avec la surface chaude. Il est recommandé d'installer une barrière physique si des personnes à risques habitent la maison. Pour empêcher l'accès à un foyer ou à un poêle, installez une barrière de sécurité; cette mesure empêchera les tout petits, les jeunes enfants et toute autre personne à risque d'avoir accès à la pièce et aux surfaces chaudes.

! WARNING

Improper installation, adjustment, alteration, service or maintenance can cause injury or property damage. Refer to this manual. For assistance or additional information consult a qualified installer, service agency or the gas supplier.

! WARNING

Failure to comply with these installation instructions will result in an improperly installed and operating appliance, voiding its warranty. Any change to this appliance and/or its operating controls is dangerous.

! WARNING

Clothing or other flammable material should not be placed on or near the appliance.

! AVERTISSEMENT

On ne devrait pas placer de vêtements ni d'autres matières inflammables sur l'appareil ni à proximité.

! WARNING

Any safety screen or guard removed for servicing the appliance must be replaced prior to operating the appliance.

! AVERTISSEMENT

Tout écran ou protecteur retiré pour permettre l'entretien de l'appareil doit être remis en place avant de mettre l'appareil en marche.

! WARNING

Improper installation or use of this appliance can cause serious injury or death from fire, burns, explosion or carbon monoxide poisoning.

! WARNING

Children and adults should be alerted to the hazards of high surface temperature and should stay away to avoid burns or clothing ignition.

! AVERTISSEMENT

Les enfants et les adultes devraient être informés des dangers que posent les températures de surface élevées et se tenir à distance afin d'éviter des brûlures ou que leurs vêtements ne s'enflamment.

! WARNING

DO NOT ATTEMPT TO ALTER OR MODIFY THE CONSTRUCTION OF THE APPLIANCE OR ITS COMPONENTS. ANY MODIFICATION OR ALTERATION MAY VOID THE WARRANTY, CERTIFICATION AND LISTINGS OF THIS UNIT.

- ◆ **FOR YOUR SAFETY** do not install or operate this appliance without first reading and understanding this manual. Any installation or operation of the appliance deviating from that which is stated in this manual WILL void the warranty and may be hazardous.
- ◆ **INSTALLATION AND REPAIR SHOULD ONLY BE DONE BY A QUALIFIED SERVICE TECHNICIAN. DO NOT ATTEMPT TO SERVICE THE APPLIANCE YOURSELF.**
- ◆ Do not make any make-shift compromises during installation. Any modification or alteration may result in damage to the appliance or dwelling and will void the warranty, certification and listings of this unit.
- ◆ Failure to use manufacturer provided parts, variations in techniques and construction materials or practices other than those described in this manual may create a fire hazard and void the limited warranty.
- ◆ This gas appliance must be equipped for the proper fuel type and altitude at which it will be operated. Any operation outside the parameters outlined in this manual may result in a hazardous condition and will void the warranty. Please carefully read the sections pertaining to these subjects and/or be sure your appliance is properly equipped.
- ◆ Never use solid fuels such as wood, paper, cardboard, coal, or any flammable liquids, etc., in this appliance.
- ◆ Any grill, panel, or glass removed for service **MUST** be replaced prior to operating the appliance. Do not operate appliance with the glass front removed, cracked or broken.
- ◆ Gold and nickel plated surfaces must be cleaned with glass cleaner and a clean soft cloth before firing the first time or fingerprints will remain permanently. NEVER use brass polish to clean gold or nickel, this will remove the plating!!!
- ◆ When opening the lower door on the face while the appliance is burning, pull at the far left or far right vent openings, because the door is hot during operation.
- ◆ LHP, its employees, or any of its representatives assume no responsibility for any damages caused by an inoperable, inadequate, or unsafe condition as a result of any improper operation, service or installation procedures, whether direct or indirect.
- ◆ Due to high temperatures, the appliance should be located out of traffic and away from furniture and draperies.
- ◆ En raison des températures élevées, l'appareil devrait être installé dans un endroit où il y a peu de circulation et loin du mobilier et des tentures.
- ◆ Provide adequate clearances around air openings and adequate accessibility clearance for service and proper operation. Never obstruct the front openings of the appliance.
- ◆ These appliances are designed to operate on natural or propane gas only. The use of other fuels or combination of fuels will degrade the performance of this system and may be dangerous.
- ◆ These appliances are designed as supplemental heaters. Therefore, it is advisable to have an alternate primary heat source when installed in a dwelling.
- ◆ These appliances must not be connected to a chimney or flue serving a separate solid fuel burning appliance.
- ◆ These appliances are vented gas appliances. Do not burn wood or other material in these appliances.
- ◆ This appliance is only for use with the type of gas indicated on rating plate. This appliance is not convertible for use with other gases, unless a certified kit is used.
- ◆ Cet appareil doit être utilisé uniquement avec les types de gaz indiqués sur la plaque signalétique. Ne pas l'utiliser avec d'autres gaz sauf si un kit de conversion certifié est installé.
- ◆ Hot while in operation. Do not touch. Severe Burns may result. Keep children, clothing furniture, gasoline and other liquids having flammable vapors away.
- ◆ L'appareil est chaud lorsqu'il fonctionne. Ne pas toucher l'appareil. Risque de brûlures graves. Surveiller les enfants. Garder les vêtements, les meubles, l'essence ou autres liquides produisant des vapeurs inflammables loin de l'appareil.
- ◆ This appliance may be installed in an aftermarket, permanently located, manufactured home (USA only) or mobile home, where not prohibited by local codes.
- ◆ Cet appareil peut être installé dans une maison préfabriquée (mobile) déjà installée à demeure si les règlements locaux le permettent.
- ◆ Ensure clearances are in accordance with local installation codes and the requirements of the gas supplier.
- ◆ Dégagement conforme aux codes d'installation locaux et aux exigences du fournisseur de gaz.
- ◆ Installation and repair should be done by a qualified service person. The appliance should be inspected before use and at least annually by a professional service person. More frequent cleaning may be required due to excessive lint from carpeting, bedding material, etcetera. It is imperative that control compartments, burners and circulating air passageways of the appliance be kept clean.
- ◆ L'installation et la réparation devrait être confiées à un technicien qualifié. L'appareil devrait faire l'objet d'une inspection par un technicien professionnel avant d'être utilisé et au moins une fois l'an par la suite. Des nettoyages plus fréquents peuvent être nécessaires si les tapis, la literie, et cetera produisent une quantité importante de poussière. Il est essentiel que les compartiments abritant les commandes, les brûleurs et les conduits de circulation d'air de l'appareil soient tenus propres.
- ◆ Do not use these appliances if any part has been under water. Immediately call a qualified, professional service technician to inspect the appliance and to replace any parts of the control system and any gas control which have been under water.
- ◆ Ne pas utiliser cet appareil s'il a été plongé, même partiellement, dans l'eau. Appeler un technicien qualifié pour inspecter l'appareil et remplacer toute partie du système de commande et toute commande qui a été plongée dans l'eau.
- ◆ Only trim kit(s) supplied by the manufacturer shall be used in the installation of this appliance.
- ◆ Seules les trousse de garniture fournies par le fabricant doivent être utilisées pour l'installation de cet appareil.
- ◆ **INSTALLER: THESE INSTRUCTIONS ARE TO REMAIN WITH THE HOME OWNER!**

GENERAL INFORMATION

Note: Installation and repair should be performed by a qualified service person. The appliance should be inspected annually by a qualified professional service technician. More frequent inspections and cleanings may be required due to excessive lint from carpeting, bedding material, etc. It is imperative that the control compartment, burners and circulating air passage ways of the appliance be kept clean.

S'assurer que le brûleur et le compartiment des commandes sont propres. Voir les instructions d'installation et d'utilisation qui accompagnent l'appareil.

Provide adequate clearances around air openings and adequate accessibility clearance for service and proper operation. Never obstruct the front openings of the appliance.

These appliances are designed to operate on natural or propane gas only.

These millivolt models come standard with the manually-modulated gas valve; flame appearance and heat output can be controlled at the gas valve.

These appliances are designed as supplemental heaters. Therefore, it is advisable to have an alternate heat source when installed in a dwelling.

Table 1 shows the BTU input for each model:

Input (BTU/HR) Manually-Modulated Gas Valves (millivolt models)		
Models	Natural Gas	Propane
CI1500DVF	17,500 to 28,000	20,500 to 27,000
CI2500DVF	25,500 to 8,500	26,500 to 34,500

Table 1

Tables 2 and 3 show the units' gas pressure requirements:

Inlet Gas Supply Pressure (all models)		
Fuel #	Minimum	Maximum
Natural Gas	4.5" WC (1.12 kPa)	10.5" WC (2.61 kPa)
Propane	11.0" WC (2.73 kPa)	13.0" WC (3.23 kPa)

Table 2

Manifold Gas Supply Pressure (millivolt models)		
Fuel #	Low	High
Natural Gas	(Lo) 1.6" WC (.40 kPa)	(Hi) 3.5" WC (.87 kPa)
Propane	(Lo) 6.3" WC (1.57 kPa)	(Hi) 10.0" WC (2.49 kPa)

Table 3

Installations at Altitudes of 0 to 4500 feet - Units are tested and approved for elevations of 0 to 4500 feet (0 to 1370 meters).

Installations at Altitudes above 4500 ft.-

For elevations above 4500 feet (1370 meters), install the unit according to the regulations of the local authorities having jurisdiction and, in the USA, the latest edition of the National Fuel Gas Code (ANSI Z223.1) or, in Canada, the latest edition of the CAN/CSA-B149.1 and CAN-B149.2 codes.

Table 4 shows the units' gas orifice size for the elevations indicated:

Burner Orifice Sizes			
Model No.	Natural Gas	Propane Gas	Elevation Feet (meters)
CI1500DVF	#37 (.104")	1.55mm (.061")	0-4500 (0-1372)
CI2500DVF	.121"	1.75mm (.068")	0-4500 (0-1372)

Table 4

The millivolt appliances are manually controlled and feature a spark igniter (piezo) that allows the appliance's pilot gas to be lit without the use of matches or batteries. This system provides continued service in the event of a power outage.

Do not use these appliances if any part has been under water. Immediately call a qualified, professional service technician to inspect the appliance and to replace any parts of the control system and any gas controls which have been under water.

Ne pas se servir de cet appareil s'il a été plongé dans l'eau, complètement ou en partie. Appeler un technicien qualifié pour inspecter l'appareil et remplacer toute partie du système de contrôle et toute commande qui ont été plongés dans l'eau.

This appliance may be installed in an aftermarket permanently located, manufactured home (USA only) or mobile home, where not prohibited by local codes.

Cet appareil peut être installé dans un maison préfabriquée (É.-U. seulement) ou mobile déjà installée à demeure si les règlements locaux le permettent.

Test gauge connections are provided on the front of the millivolt gas control valve (identified IN for the inlet and OUT for the manifold side).

Propane tanks are at pressures that will cause damage to valve components. Verify that the tanks have step down regulators to reduce the pressure to safe levels.

These appliances must be isolated from the gas supply piping system (by closing their individual manual shut-off valve) during any pressure testing of the gas supply piping system at test pressures equal to or **less than** 1/2 psig (3.5 kPa).

These appliances and their individual shut-off valves must be disconnected from the gas supply piping system during any pressure testing of that system at pressures **greater than** 1/2 psig (3.5 kPa).

These appliances must not be connected to a chimney or flue serving a separate solid fuel burning appliance.

WARNING: This appliance must be properly connected to a venting system. Operation of this gas appliance when not connected to a properly installed and maintained venting system can result in carbon monoxide (CO) poisoning and possible death.

Carbon Monoxide Poisoning: Early signs of carbon monoxide poisoning are similar to the flu with headaches, dizziness and/or nausea. If you have these signs, obtain fresh air immediately. Have the appliance serviced by a qualified technician as it may not be operating correctly. Some people are more affected by carbon monoxide than others. These include pregnant women, people with heart or lung disease or anemia, those under the influence of alcohol, and those at high altitudes.

 **WARNING**

Do not place clothing or other flammable materials on or near this appliance.

 **AVERTISSEMENT**

Surveiller les enfants. Garder les vêtements, les meubles, l'essence ou autres liquides à vapeur inflammables loin de l'appareil.

 **WARNING**

Failure to comply with the installation and operating instructions provided in this document will result in an improperly installed and operating appliance, voiding its warranty. Any change to this appliance and/or its operating controls is dangerous. Improper installation or use of this appliance can cause serious injury or death from fire, burns, explosion or carbon monoxide poisoning.

 **WARNING**

Children and adults should be alerted to the hazards of high surface temperatures. Use caution around the appliance to avoid burns or clothing ignition. Young children should be carefully supervised when they are in the same room as the appliance.
Note: An Optional Screen Panel for the glass is available (see Homeowners Manual for ordering information).

LOCATION

In selecting the location, the aesthetic and functional use of the appliance are primary concerns. However, vent system routing to the exterior and access to the fuel supply are also important. Consideration should be given to traffic ways, furniture, draperies, etc., due to elevated surface temperatures.

Considerations Should Include:

- Existing Chimneys
- Aesthetic Considerations
- Roof Design (Rafter Locations and Roof Pitch)
- Room Traffic
- Proximity to Combustibles
- Proximity for Optimum Heat Transfer
- Electrical Wiring (if optional blower is installed)

The installation of this stove will require some research. Once your options are determined, consult with your local building department who will be able to give you the necessary installation requirements for your area (Is a building permit required?, Rooms where installation may not be allowed?, etc.).

NEW YORK CITY, NEW YORK (MEA)

Installation of these appliances are approved for installation in New York City in the US state of New York.

COMMONWEALTH OF MASSACHUSETTS REQUIREMENTS

(Massachusetts Approval #G1-1105-11)

These appliances are approved for installation in the US state of Massachusetts if the following additional requirements are met:

- Install this appliance in accordance with Massachusetts Rules and Regulations 248 C.M.R. Sec. 5.08 2(a) through 2(e).
- Installation and repair must be done by a plumber or gas fitter licensed in the Commonwealth of Massachusetts.
- The flexible gas line connector used shall not exceed 36 inches (92 centimeters) in length.
- The individual manual shut-off must be a T-handle type valve.

Massachusetts Horizontal Vent Requirements

In the Commonwealth of Massachusetts, horizontal terminations installed less than seven (7) feet above the finished grade must comply with the following additional requirements:

- A hard wired carbon monoxide detector with an alarm and battery back-up must be installed on the floor level where the gas fireplace is installed. The carbon monoxide detector must comply with NFPA 720, be ANSI/UL 2034 listed and be ISA certified.
- A metal or plastic identification plate must be permanently mounted to the exterior of the building at a minimum height of eight (8) feet above grade and be directly in line with the horizontal termination. The sign must read, in print size no less than one-half (1/2) inch in size, GAS VENT DIRECTLY BELOW. KEEP CLEAR OF ALL OBSTRUCTIONS.

SPECIFICATIONS: Serefina™

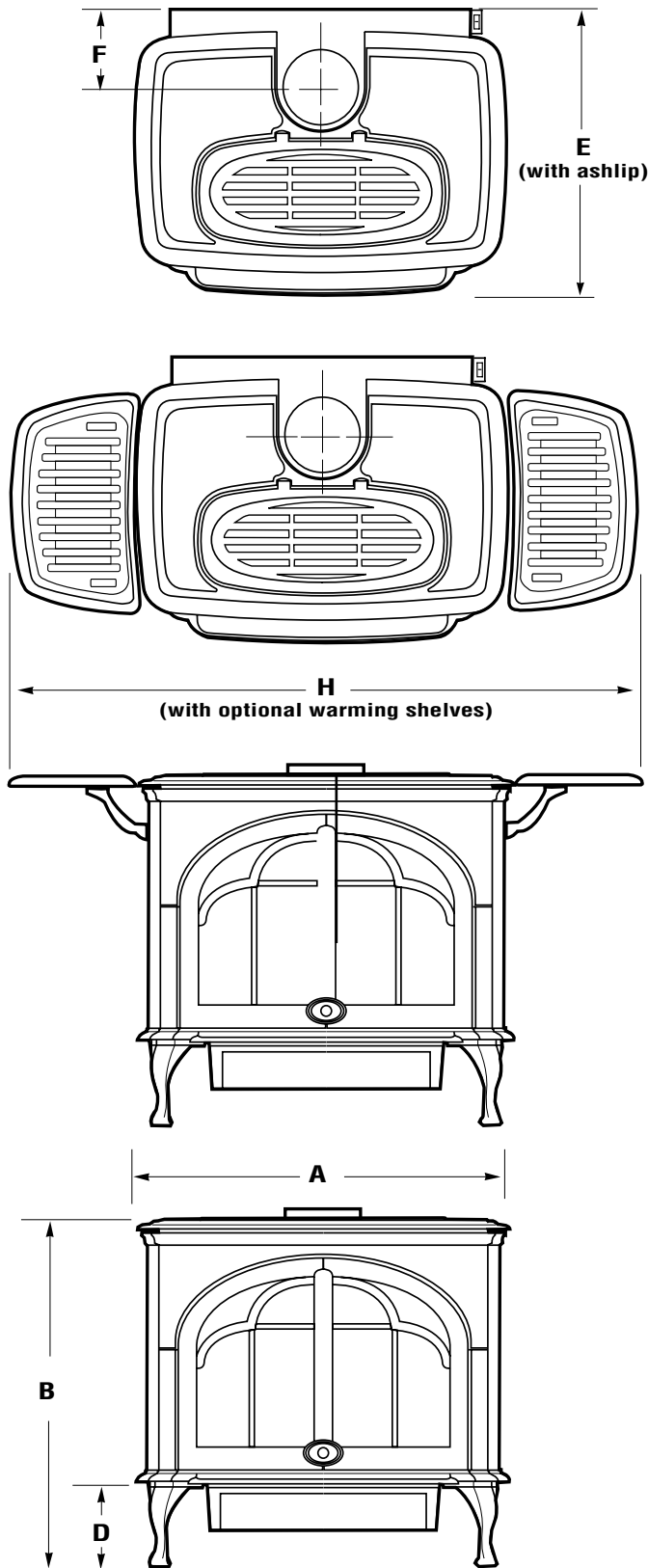


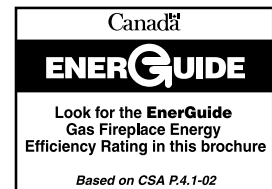
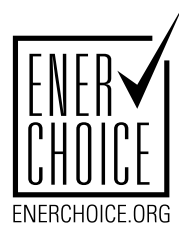
Figure 1

NOTE: DIAGRAMS & ILLUSTRATIONS ARE NOT TO SCALE.

Dimensions		
	CI1500DVF	CI2500DVF
A	24-1/2" (622 mm)	30-1/2" (775 mm)
B	27-1/2" (699 mm)	28-1/2" (724 mm)
C	19" (483 mm)	22" (559 mm)
D	7" (178 mm)	7" (178 mm)
E	20-1/2" (521 mm)	23-1/2" (597 mm)
F	6" (152 mm)	6" (152 mm)
G	28" (711 mm)	29" (737 mm)
H	40" (1016 mm)	48-1/2" (1232 mm)

Specifications		
	CI1500DVF	CI2500DVF
Min./Max BTU/hr Input - NG	17,500 / 28,000	25,500 / 38,500
Min./Max BTU/hr Input - LP	20,500 / 27,000	26,500 / 34,500
DV Vent Size	4" inner / 6-5/8" outer	4" inner / 6 5/8" outer
Room Fan CFM	150	150
Weight (lb)	206	290

Efficiencies		
	CI1500DVF	CI2500DVF
EnerGuide P4	67% (NG) 65% (LP)	67% (NG) 64% (LP)
Steady State Efficiency *	85% (NG) 87% (LP)	83% (NG) 85% (LP)



Note: Due to Lennox' ongoing commitment to quality, all specifications, ratings and dimensions are subject to change without notice.

*Based on maximum vent configuration.

MINIMUM CLEARANCES TO COMBUSTIBLES

Clearances To Combustible Materials / Floor Protection

- The location should also be free of electrical, plumbing or other heating/air conditioning ducting.
- Due to high temperatures, this appliance should be located out of traffic and away from furniture, draperies and not in windy or drafty areas.
- This appliance can be installed in most residential room configurations, parallel to a rear or adjacent wall, or in an alcove that allows for the minimum clearances to combustible surfaces. Your local building inspector should review your plans prior to installation.
- When installing this appliance, provide adequate clearances for the purposes of servicing and proper operation.
- As determined through the safety certification of this unit, a minimum clearance to combustible materials must be maintained around specific areas of the gas appliance. (See **Table 5 and Figures 2A, 2B and 2C**).

Clearances		
	CI1500DVF	CI2500DVF
A (minimum)	*10" (254 mm)	*10" (254 mm)
B (minimum)	*14-1/4" (362 mm)	*17-1/4" (438 mm)
C (minimum)	*15-7/8" (403 mm)	*19" (483 mm)
D (minimum)	4" (102 mm)	4" (102 mm)
E (minimum)	2" (51 mm)	2" (51 mm)
F (minimum)	4" (102 mm)	4" (102 mm)
G (minimum)	0" (0 mm)	0" (0 mm)
H (minimum)	***62" (1575 mm)	***62" (1575 mm)
I (minimum)	**28-1/2" (724 mm)	**34-1/2" (876 mm)
J (MAXIMUM)	48" (1219 mm)	48" (1219 mm)

Table 5

* Dimensions with a single asterisk are reference dimensions only.

** If the optional warming shelves are installed, a greater alcove width is required as follows:

CI1500DVF - 44" (1118 mm) min.

CI2500DVF - 52-1/2" (1334 mm) min.

***This includes any projections such as shelves, windowsills, mantels, etc. above the appliance.

Note: Recommended clearance zone from the front of the appliance to combustibles is 36 inches (914 mm) minimum.

Floor Protection

When installed directly on carpeting, tile (see Note below) or other combustible material other than wood flooring, the appliance shall be installed on a metal or wood panel extending the full width and depth of the stove body.

Note: Ceramic tile is non-combustible and does not require a wood or metal panel under the appliance.

Vent Clearances - All Models

For Horizontal Sections: At Wall Firestops:

Top - 3" (76.2 mm) min. Top - 3" (76.2 mm) min.

Sides - 1" (25.4 mm) min. Sides - 1" (25.4 mm) min.

Bottom - 1" (25.4 mm) min. Bottom - 1/2" (12.7 mm) min.

For Vertical Sections:

Sides - 1" (25.4 mm) min.

Clearance To Combustibles and Alcove Dimensions

Side View / Rear Wall or Alcove Clearances

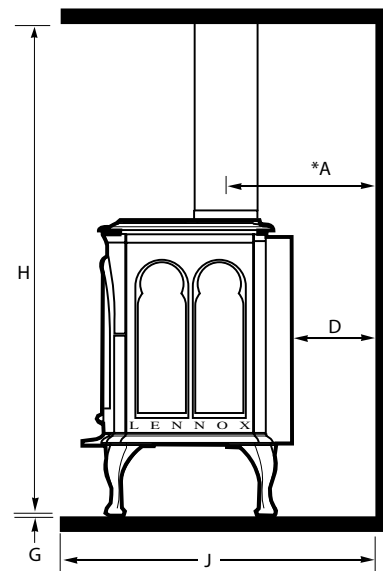


Figure 2A

Top View / Rear Wall or Alcove Clearances

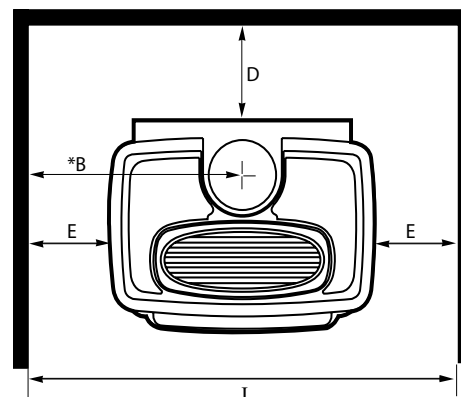


Figure 2B

Top View / Corner Clearances

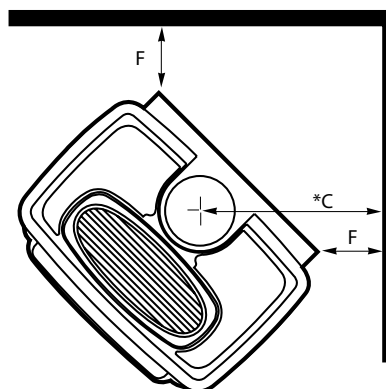


Figure 2C

NOTE: DIAGRAMS & ILLUSTRATIONS ARE NOT TO SCALE.

MANUFACTURED (MOBILE) HOME REQUIREMENTS

These models may be installed in an aftermarket permanently located, manufactured home, where not prohibited by local codes. When installed in Manufactured Housing the following supplemental requirements must be met:

- The appliance must be secured to the floor (i.e. use (4) 1/4" x 2-3/4" bolts and nuts or equivalent. Note: Not included) for securing appliance to the manufactured home floor.
- The appliance must be grounded to the chassis of the manufactured home. Use a No. 8 or heavier copper wire at least 18" in length.
- The structural integrity of the manufactured home floor, walls, ceiling and roof must be maintained.
- A manufactured (mobile) home installation must conform with the Manufactured Home Construction and Safety Standard, Title 24 CFR, Part 3280, or, when such a standard is not applicable, the Standard for Manufactured Home Installations, ANSI / NCSBCS A225.1, or standard for Gas equipped Recreational Vehicles and Mobile Housing, CSA Z240.4.

QUESTIONS TO ASK LOCAL BUILDING OFFICIAL

This appliance must be installed per manufacturers' instructions.

Installations must conform to appropriate local codes and applicable state and federal requirements. Familiarity with these requirements before installation is essential. Some important considerations to discuss with local building officials include:

1. Applicable codes (i.e. Uniform Mechanical Code, State or Regional Gas Codes, National Fuel Gas Code)
2. Local amendments
3. Recognized testing lab: OMNI-Test Laboratories Inc.; Beaverton, Oregon
4. Is a permit required - cost?
5. In some states or municipalities, a licensed gas fitter or plumber may be required to install this appliance. Check with your local building official for requirements in your area (i.e. Is a license required for installation of gas supply line)?
6. Maximum amount of gas pipe without a pressure test - type of test required?
7. Are below grade penetrations of the gas line allowed?
8. Is concealed gas piping allowed?
9. Specific requirements of concealed fittings?
10. Is rigid pipe to appliance required?
11. Allowed piping materials?
12. Shut-off valve required within 4 feet of the firebox?
13. May the shut-off valve be concealed?
14. Rooms where the installation is not allowed?

In the absence of local codes, installation should conform to National Fuel Gas Code, ANSI Z223.1 / NFPA 54-Latest Edition in the USA or National Fuel Gas Code, CAN/CSA-B149.1-Latest Edition in Canada.

VENT TERMINATION CLEARANCES

Vertical Vent Termination Clearances

These instructions should be used as a guideline and do not supersede local codes in any way. Install vent according to local codes, these instructions, the current National Fuel Gas Code (ANSI-Z223.1) in the USA or the current standards of CAN/CSA-B149.1 in Canada.

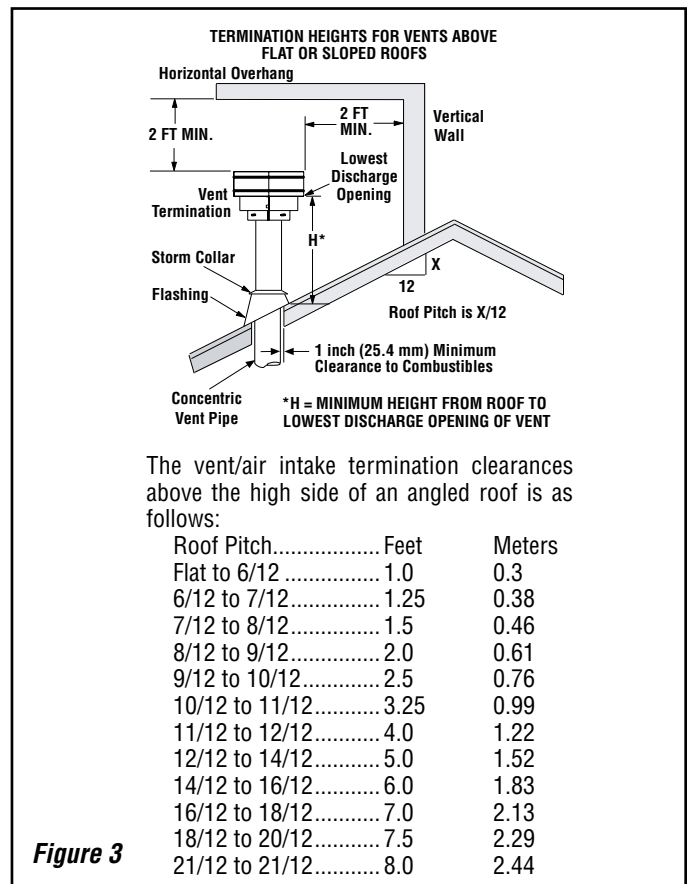


Figure 3

Horizontal Vent Termination Clearances

The horizontal vent termination must have a minimum of 3" (76 mm) clearance to any overhead combustible projection of 2-1/2" (64 mm) or less. See Figure 4. For projections exceeding 2-1/2" (64 mm), For additional vent location restrictions refer to Figure 5.

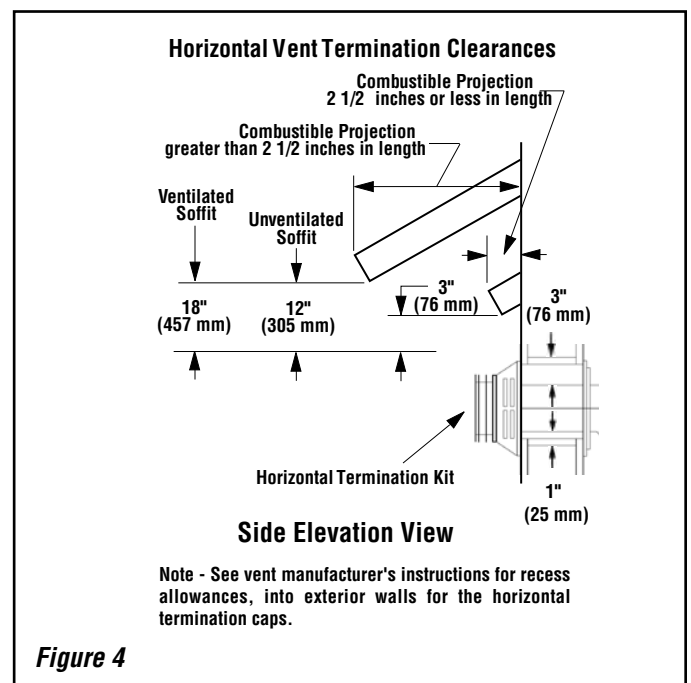
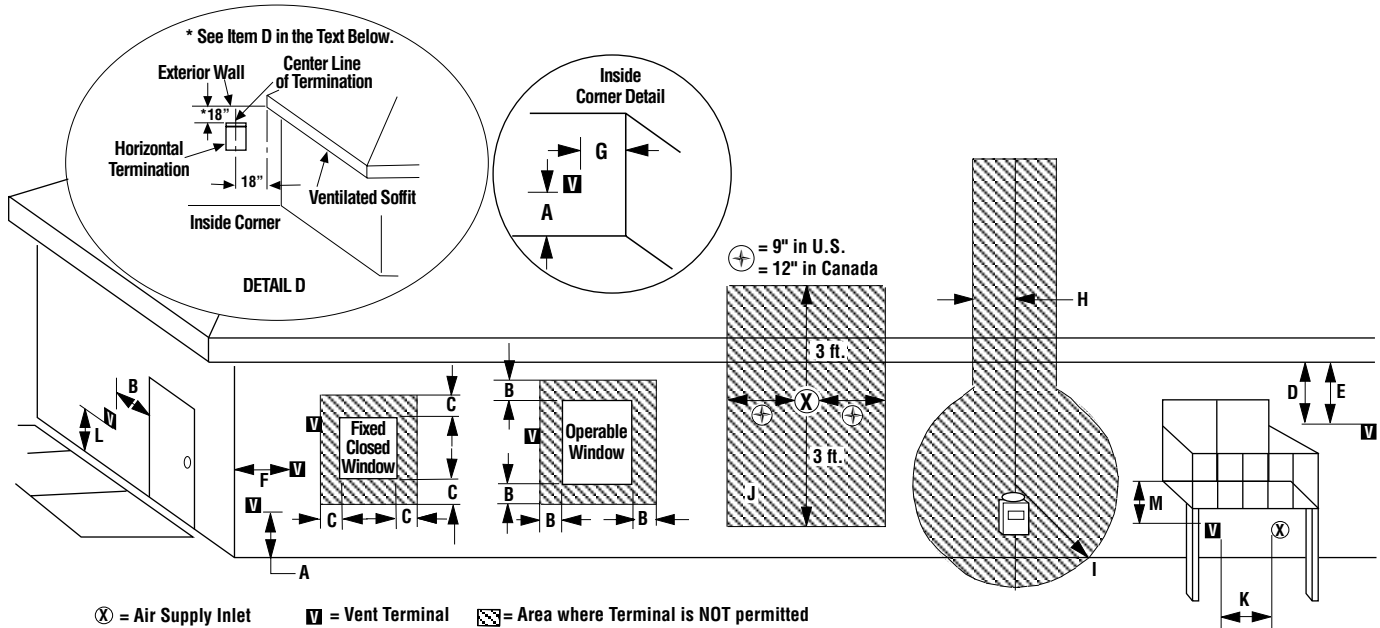


Figure 4

NOTE: DIAGRAMS & ILLUSTRATIONS ARE NOT TO SCALE.

EXTERIOR HORIZONTAL VENT TERMINATION CLEARANCE REQUIREMENTS



Minimum Clearances	Canadian Installation *	US Installation **
A = Clearance above grade, veranda, porch, deck or balcony.	12 inches (30 cm) *	12 inches (30 cm) **
B = Clearance to window or door that may be opened.	6 in. (15.2 cm) for appliances < 10,000 BTU/hr (3kW), 12 in. (30 cm) for appliances > 10,000 BTU/hr (3kW) and < 100,000 BTU/hr (30kW), 36 inches (91 cm) for appliances > 100,000 BTU/hr (30kW)*	6 in. (15.2 cm) for appliances < 10,000 BTU/hr (3kW), 9 in. (23 cm) for appliances > 10,000 BTU/hr (3kW) and < 50,000 BTU/hr (15kW), 12 inches (30 cm) for appliances > 50,000 BTU/hr (15kW)*
C = Clearance to permanently closed window	12 inches (305 mm) recommended to prevent window condensation	9 inches (229 mm) to prevent window condensation
D = Vertical clearance to ventilated soffit located above the terminal within a horizontal distance of 18 in. (458 mm) from the center line of the terminal	18 inches (458 mm)	18 inches (458 mm)
E = Clearance to unventilated soffit	12 inches (30 cm)	12 inches (30 cm)
F = Clearance to outside corner	5 inches (12.7 cm)	5 inches (12.7 cm)
G = Clearance to inside corner	6 in. (15 cm)	6 in. (15 cm)
H = Clearance to each inside of center line extended above meter / regulator assembly	3 feet (91 cm) within a height of 15 feet above the meter / regulator assembly *	3 feet (91 cm) within a height of 15 feet above the meter / regulator assembly **
I = Clearance to service regulator vent outlet	3 feet (91 cm) *	3 feet (91 cm) **
J = Clearance to non-mechanical air supply inlet to building or the combustion air inlet to any other appliance	6 in. (15.2 cm) for appliances < 10,000 BTU/hr (3kW), 12 in. (30 cm) for appliances > 10,000 BTU/hr (3kW) and < 100,000 BTU/hr (30kW), 36 inches (91 cm) for appliances > 100,000 BTU/hr (30kW)*	6 in. (15.2 cm) for appliances < 10,000 BTU/hr (3kW), 9 in. (23 cm) for appliances > 10,000 BTU/hr (3kW) and < 50,000 BTU/hr (15kW), 12 inches (30 cm) for appliances > 50,000 BTU/hr (15kW)*
K = Clearance to mechanical air supply inlet	6 feet (1.8 meters) *	3 feet (91 cm) above, if within 10 feet (3 m) horizontally**
L = Clearance above paved sidewalk or paved driveway located on public property	7 feet (2.13 m) ‡	7 feet (2.13 m) ‡
M = Clearance under veranda, porch, deck or balcony	12 in. (30 cm) * ‡	12 in. (30 cm) ** ‡

* In accordance with the current CAN/CSA-B149.1 National Gas and B149.2 Propane Installation Code - Latest Editions.

** In accordance with the current ANSI Z223.1 / NFPA 54 National Fuel Codes - Latest Edition.

‡ A vent shall not terminate directly above a sidewalk or paved driveway which is located between two single family dwellings and serves both dwellings.

*‡ Only permitted if veranda, porch, deck or balcony is fully open on a minimum 2 sides beneath the floor.

Figure 5

NOTE: DIAGRAMS & ILLUSTRATIONS ARE NOT TO SCALE.



WARNING

Failure to position the parts in accordance with these diagrams or failure to use only parts specifically approved with this appliance may result in property damage or personal injury.



AVERTISSEMENT

Risque de dommages ou de blessures si les pièces ne sont pas installées conformément à ces schémas et ou si des pièces autres que celles spécifiquement approuvées avec cet appareil sont utilisées.

TYPICAL INSTALLATION SEQUENCE

See the page numbers references in the following steps for detailed procedures.

The typical sequence of installation follows, however, each installation is unique resulting in variations to those described.

- Step 1.** (Page 11) Preparation - Plan and install gas line, venting system and floor protection (if necessary).
- Step 2.** (Page 11) Remove outer carton. Remove inner packages and packing materials and set aside.
- Step 3.** (Page 11) Remove stove from pallet and place into positioned where unit is to be installed.
- Step 4.** (Page 12) Remove front glass enclosure from stove and set aside.
- Step 5.** (Page 13) Remove packaged materials from inside firebox and set aside (log set, bag of embers and NG to LP conversion kit).
- Step 6.** (Page 13) Remove cardboard packaging material from beneath relief door and discard.
- Step 7.** (Page 13) Install LP Conversion kit (if necessary). Install any optional accessories (excluding firescreens).
- Step 8.** (Page 14) Install lower access door.
- Step 9.** (Page 14) Venting System Installation.
- Step 10.** (Page 18) Connect gas supply line to the appliance. Purge Air.
- Step 11.** (Page 18) Install log set, ember strip and embers.
- Step 12.** (Page 20) Reinstall front glass enclosure.
- Step 13.** (Page 20) Test all connections for leaks (factory and field).
- Step 14.** (Page 21) Check appliance for proper operation.
- Step 15.** (Page 21) Adjust burner to ensure proper flame appearance.
- Step 16.** (Page 22) Install stove top, trivet and ash lip.
- Step 17.** (Page 23) Attach Safety in Operation Warnings.

DETAILED INSTALLATION STEPS

Step 1: PREPARATION - Plan and install gas line and floor protection (if necessary - see Floor Protection, **Page 8**).

Gas Supply Line (reference **Figure 18** on **Page 18**) - Installing a gas supply line from the fuel supply to the appliance involves numerous considerations of materials, protection, sizing, locations, controls, pressure, sediment, and more. Certainly no one unfamiliar and unqualified should attempt sizing or installing gas piping.

The gas supply line should be plumbed from the fuel source to the area where the appliance is to be installed per requirements outlined in NFPA 54 - latest edition (USA) and CAN/GSA-B149.1 - latest edition (Canada).

The proper gas line diameter must be used to run from the supply regulator (at the gas company meter) to the appliance. Never use galvanized or plastic pipe. Refer to **Table 6** for suggested sizing of the gas supply line if black iron pipe is being used.

The gas supply line should be connected to the appliance at step 10.

**Suggested Sizing of Black Iron Pipe
Schedule 40 - Pipe Supply Line**

Schedule 40 Pipe Length (Feet)	Schedule 40 Pipe Inside Diameter (Inches)	
	Natural Gas	Propane Gas
0-10	1/2	3/8
10-40	1/2	1/2
40-100	1/2	1/2
100-150	3/4	1/2
150-200	3/4	1/2

Table 6

IMPORTANT NOTE: If propane is used, be aware that if the tank size is too small (i.e. under 100-lbs, if this is the only gas appliance in the dwelling. Ref. NPFA 58), there may be loss of pressure, resulting in insufficient fuel delivery (which can result in sooting or other malfunctions). Any damage resulting from an improper installation, such as this, is not covered under the limited warranty.

Step 2: REMOVE PACKAGING - Remove the large outer carton. Remove all the inner packages and packing materials and set aside. To remove the ember strip package below the stove body, carefully cut the 2 plastic ties using scissors.

Step 3: REMOVE FROM PALLET - A. Remove the trivet, then the cast iron stove top by carefully lifting them up and off and setting them aside (**READ CAUTION BELOW**).



CAUTION

The cast iron stove top is very heavy and may require a minimum of two people to lift; one person on each side (the C11500 series cast top weighs ~20 pounds and the C12500 series cast top weighs ~40 pounds).

B. Remove stove body from pallet (**READ CAUTION BELOW**).



CAUTION

The stove body is very heavy. The use of a heavy duty escalara (stair step hand truck) is recommended for lifting the stove body.

Remove the screws and support plate which secure the stove legs to the pallet. Lift stove off of the pallet and place it into position (where unit is to be installed).

Note: Install Leg Leveling Bolts if Necessary: The four leg leveling bolts (included in literature package), are provided for leveling the stove if necessary. To install, thread the bolts into the existing holes in the bottom of each leg. Turn the leveling bolts to adjust for correct height.

Step 4: REMOVE FRONT GLASS ENCLOSURE PANEL

WARNING

- Do not attempt to substitute the materials used on these doors, or replace cracked or broken glass.
- Handle this glass with extreme care! Glass is susceptible to damage – Do not scratch or handle roughly while reinstalling the glass door frame.
- The glass door(s) of this appliance must only be replaced as a complete unit as provided by the manufacturer. Do not attempt to replace broken, cracked or chipped glass separately.
- Do not attempt to touch the front enclosure glass with your hands while the appliance is in use.

WARNING

Do not operate appliance with the glass front removed, cracked or broken.

AVERTISSEMENT

Ne pas utiliser l'appareil si le panneau frontal en verre n'est pas en place, est craqué ou brisé.

Only doors certified with the appliance shall be used.

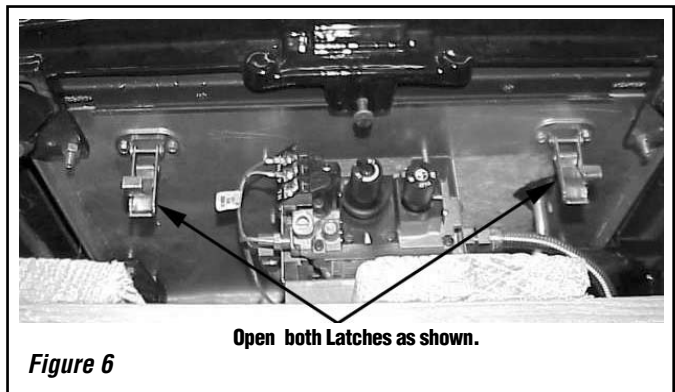
Seules des portes certifiées pour cet appareil doivent être utilisées.

CAUTION: DO NOT abuse glass door by striking or slamming shut.

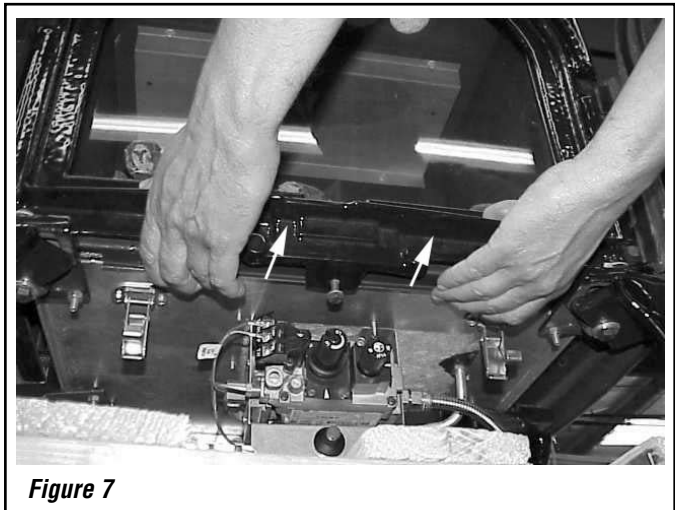
Do not remove glass door while the appliance is hot.

Remove the front glass enclosure from stove as follows:

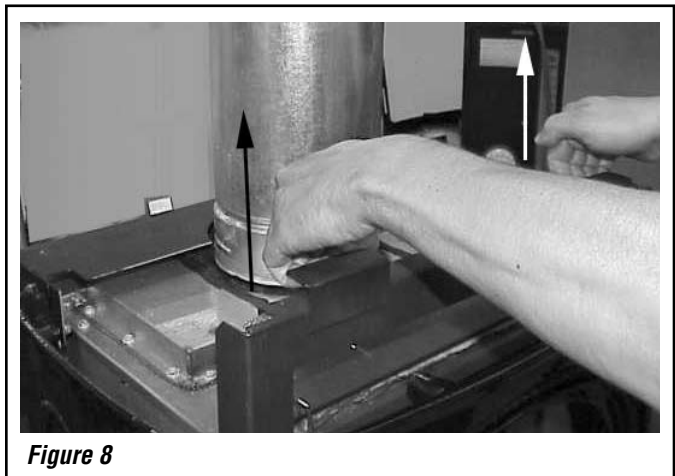
A. Locate and open the 2 latches below the stove body (See **Figure 6**).



B. Reach under the bottom front of the front glass enclosure and pull it forward as shown in **Figure 7**.



C. Lift glass assembly up and out and carefully set aside in a safe place (see **Figure 8**).



Step 5: REMOVE MATERIALS FROM FIREBOX - Remove the packaged materials from inside of the firebox and set aside (propane conversion kit, log support cartons, log set and embers).

Step 6: REMOVE CARDBOARD - Remove the cardboard packaging material from beneath the relief door and discard (see **Figure 9**).



Step 7: INSTALL LP CONVERSION KIT (IF NECESSARY) AND OPTIONAL ACCESSORIES

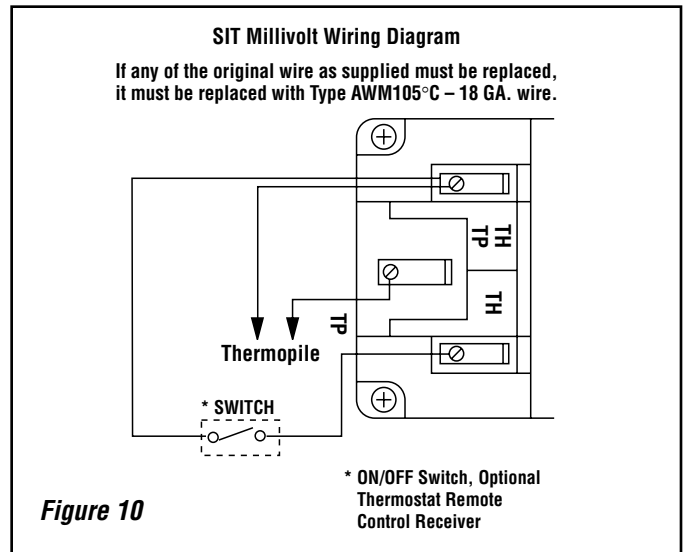
Install the LP conversion kit and optional accessories per instructions provided with the kits (do not install an optional firescreen or brick liner kit at this point).

- A. Optional accessories include a wall thermostat, blower kit, brick liner kit, warming shelves and a standard or deluxe remote control kits.
- B. If a wall-mounted thermostat is selected, mount it in a convenient location on a wall near the stove. If the warming shelves are being installed, see Homeowners Manual for installation instructions.
- C. Wire the thermostat within the millivolt control circuit using a maximum of 25 feet of 18 gage, 2 conductor wire. Caution: Do not connect the optional wall thermostat, gas control valve or control wiring system of the unit to a 120 volt power supply (residential line voltage)

The gas valve is set in place and pre-wired at the factory on both models (see **Figure 10**).

CAUTION: Label all wires prior to disconnection when servicing controls. Wiring errors can cause improper and dangerous operation.

ATTENTION: Au moment de l'entretien des commandes, étiquetez tous les fils avant de les débrancher. Des erreurs de câblage peuvent entraîner un fonctionnement inadéquat et dangereux.



OPTIONAL WALL THERMOSTAT

If an optional wall thermostat is to be installed, install the thermostat per the manufacturers instructions (provided with the thermostat). Failure to follow manufacturers instructions could result in a malfunction. Pay special attention to the thermostat location requirements. If the location requirements are not adhered to the appliance, erratic operation or failure may occur.

Do not mount the thermostat where it may be affected by:

- Radiant heat from this appliance, fireplaces, sun or other heat sources.
- Drafts or dead spots behind doors or in corners.
- Hot or cold air from ducts.

Wiring - Optional Forced Air Blower Kit:

BK-CI (see **Figure 11** for wiring diagram) - (An optional field-provided outletbox/J-Box may also be used). Install the blower kit according to the installation instructions provided with the kit.

WARNING

The power cord must be plugged directly into a properly grounded three-prong 120 volt, 60 hz wall receptacle. Do not cut or remove the grounding prong from this plug. Do not route power cord under or in front of appliance.

CAUTION: Label all wires prior to disconnection when servicing controls. Wiring errors can cause improper and dangerous operation.

ATTENTION: Au moment de l'entretien des commandes, étiquetez tous les fils avant de les débrancher. Des erreurs de câblage peuvent entraîner un fonctionnement inadéquat et dangereux.

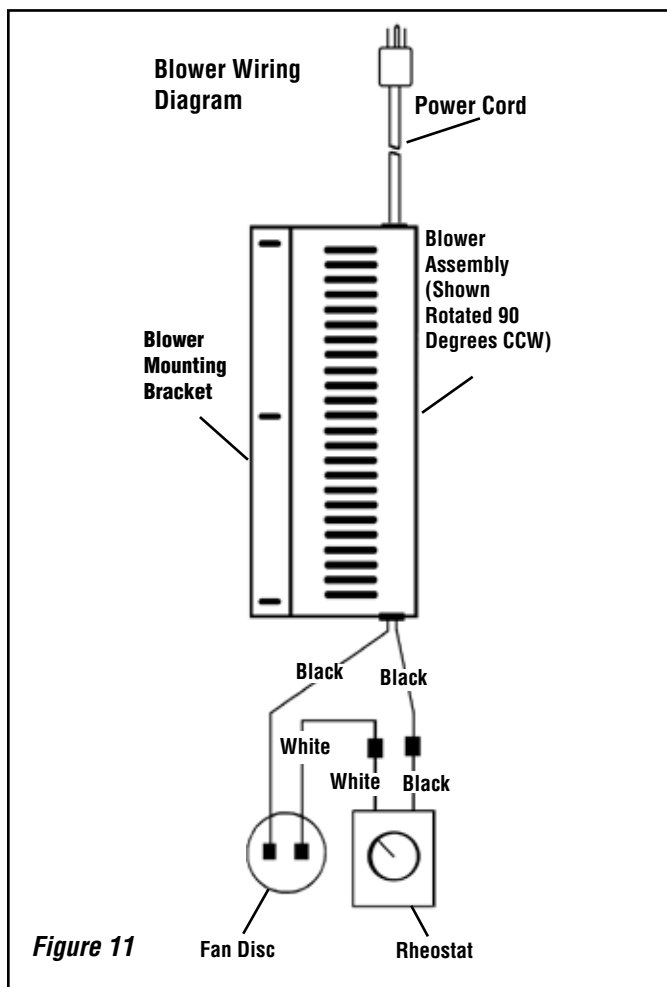


Figure 11

Step 8: INSTALL LOWER ACCESS DOOR .

Install the lower access door by inserting the tabs on the door sides into the corresponding holes on the brackets on the stove bottom (see **Figure 12** below)

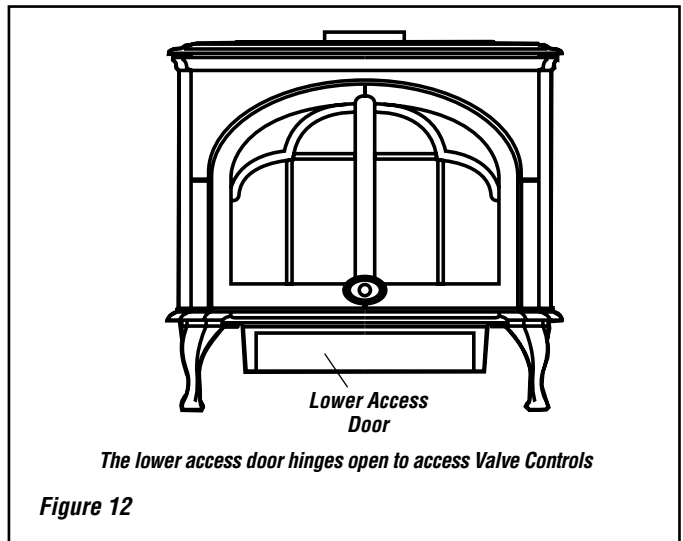


Figure 12

Step 9: VENTING SYSTEM INSTALLATION

INSTALL VENTING COMPONENTS PER VENT MANUFACTURERS INSTRUCTIONS

The vent system may not service multiple appliances, and must never be connected to a flue serving a solid fuel burning appliance.

CAUTION: Under no circumstances should these appliances be vented to other rooms or buildings. These appliances must only be vented to the outside. Vent terminations shall not be recessed into a wall or siding.

IMPORTANT: Do not exceed the maximum horizontal run allowed (see **Figures 13 and 14**).

Support Brackets - Install vent support brackets as specified in the vent manufacturers instructions and the National Gas Fuel Code, USA - NFPA 54 / ANSI Z223.1, 7.6.5 Support of Gas Vents. Gas vents shall be supported and spaced in accordance with their listings and the (vent) manufacturer instructions.

General Information: These instructions should be used as a guideline and do not supersede local codes in any way. Install vent according to local codes, these instructions, the current National Fuel Gas Code (NFPA 54 / ANSI-Z223.1) in the USA or the current standards of CAN/CSA-B149.1 in Canada.

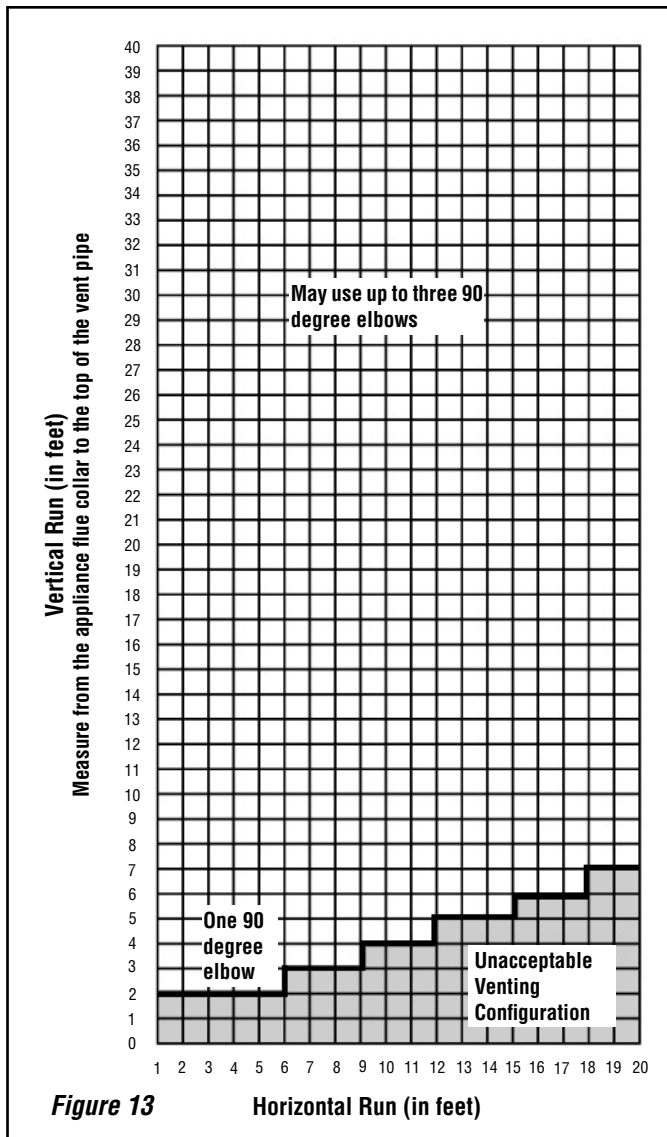
These stoves are designed, tested and listed for operation and installation with, and only with, "Security Secure Vent™" or "Simpson Dura Vent" brand Components (co-axial DV pipe with 4" inner and 6-5/8" outer diameter). These approved vent system components are labeled for identification. DO NOT use any other manufacturer's vent components with these appliances. These stoves must be vented directly to the outside.

Horizontal Termination

The vent must rise vertically, a minimum of 24" (610 mm) off the top of the appliance for Natural Gas and 36" for Propane Gas before the first elbow.

The horizontal run may extend up to 20 feet (6 meters) and include a vertical rise of up to 40 feet (12 meters) - see **Figure 13**. Horizontal termination must meet the criteria shown in **Figures 4 and 5**.

- Approved vent systems must terminate above and including the heavy line in **Figure 13**.
- Two 45 degree elbows may be substituted for each single 90 degree elbow.
- With a rise between 2 feet to 5 feet, one 90 degree or two 45 degree elbows may be used.



Vertical Termination

A vertical vent system must terminate no less than 8 feet (2.44 meters) and no more than 40 feet / 12 meters (above the appliance flue collar. See **Figure 14**.

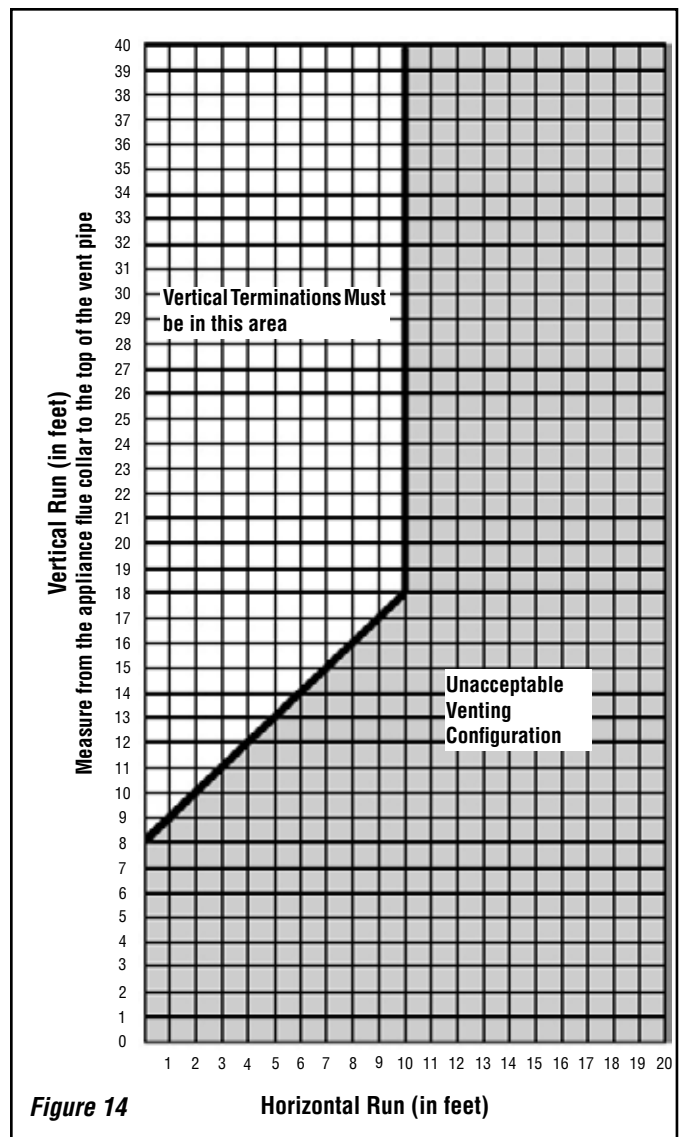
A vertically terminated vent system must also conform to the following criteria:

No more than three 90 degree elbows may be used.

Two 45 degree elbows may be substituted for one 90 degree elbow. No more than six 45 degree elbows may be used.

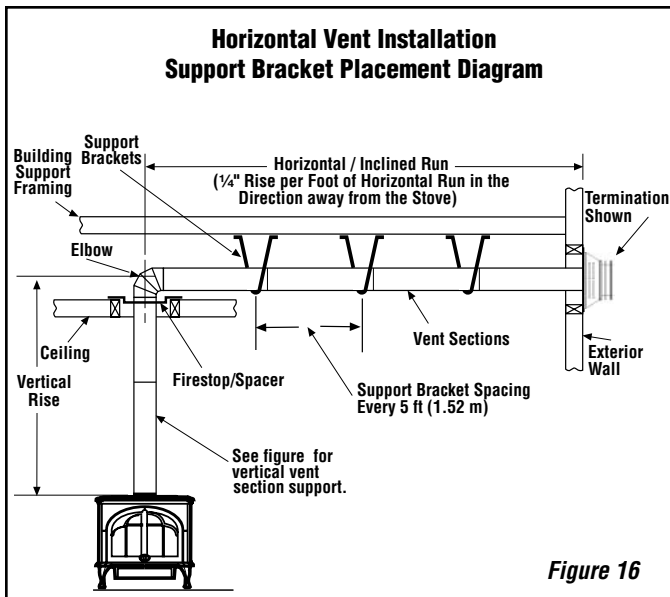
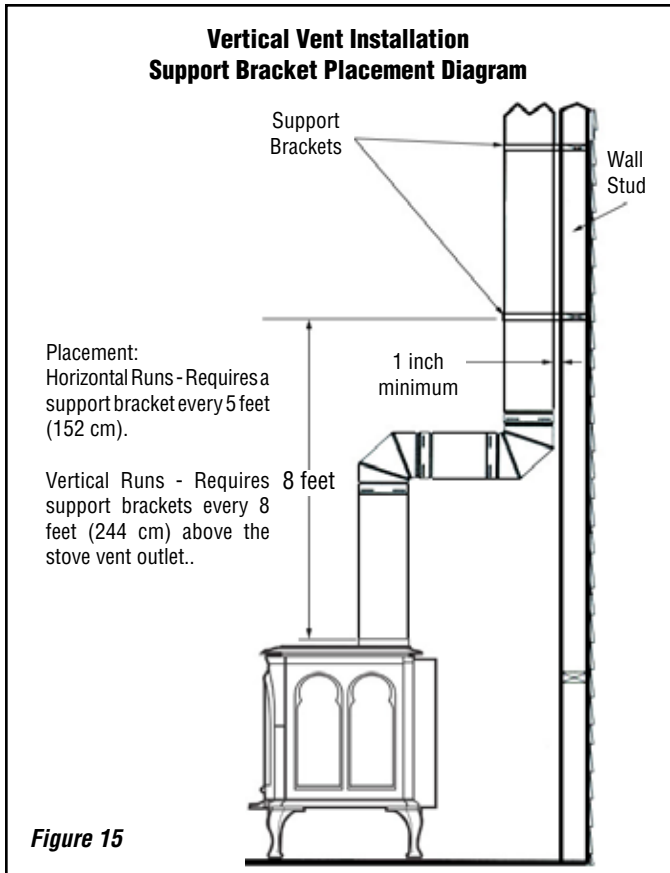
Vent must rise a minimum of 2 feet before an offset is used.

Termination height must conform to roof clearance as specified in **Figure 3**.



Installing Support Brackets

Install support brackets per vent manufacturers instructions.



Direct-Vent Retrofit Of Existing Chimney System

An existing Class-A (wood-burning) Metal Chimney or Masonry Chimney can be converted to a direct-vent system. Use one of the following chimney conversion kits listed below. Have the existing chimney system inspected by a professional prior to the conversion.

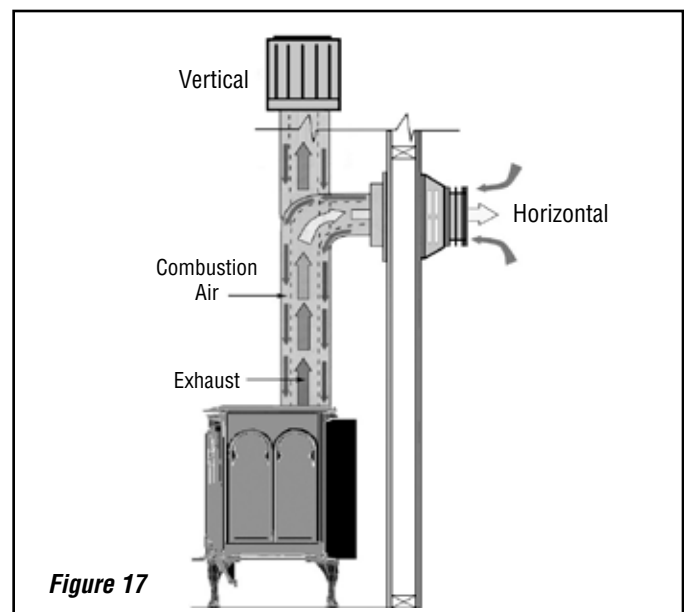
The chimney conversion should not be applied to the portion of the vent system that is in the room of the appliance. Use only Co-Axial direct-vent pipe (4" inner pipe, 6 5/8" outer pipe as listed on **Page 17**) from the appliance to the retro-connector into converted flue system. Adhere to all specifications outlined in this manual regarding clearances to combustibles, vertical and horizontal vent length minimums and maximums, etc. Read all instructions in this manual and provided by vent manufacturer with kit carefully before starting the installation. Failure to follow the instructions may create a fire or other safety hazard, and will void the warranty. The following Vent System components may be safely used with this appliance.

Chimney DV Liner Kits	
Model	Brand: SECURITY SECURE VENT / Description
SV4MCK	Masonry Chimney Conversion Kit –Vertical term. Cap, cap adapter, masonry cover, black adapter (to flex), 2 gear clamps
SV4CCK1	Factory Built Chimney Conversion Kit – for 6" I.D., 1" insulation.
SV4CCK2	Factory Built Chimney Conversion Kit – for 7" I.D., 1" insulation; 8" I.D., 1" insulation; 6" I.D., 2" insulation
SV4CCK3	Factory Built Chimney Conversion Kit – for 10" I.D., 1" insulation; 7" I.D., 2" insulation; 8" I.D., 2" insulation
Model	Brand: SIMPSON DURA-VENT / Description
934	Masonry Chimney Conversion Kit
931	Factory Built Chimney Conversion Kit A – for 6" I.D.;
932	Factory Built Chimney Conversion Kit B – for 6", 7" & 8" I.D.
933	Factory Built Chimney Conversion Kit C – for 7" & 8" I.D.

Table 7

Select Venting System - Horizontal Or Vertical

The following sections describe vertical (roof) and horizontal (exterior wall) vent applications. Refer to the section relating to your installation. A list of approved venting components is shown on **Pages 16 and 17**.



DIRECT-VENT SYSTEM COMPONENTS

The following "Security Secure Vent™" or "Simpson Dura-Vent" brand Direct-Vent components may be safely used with these appliances.

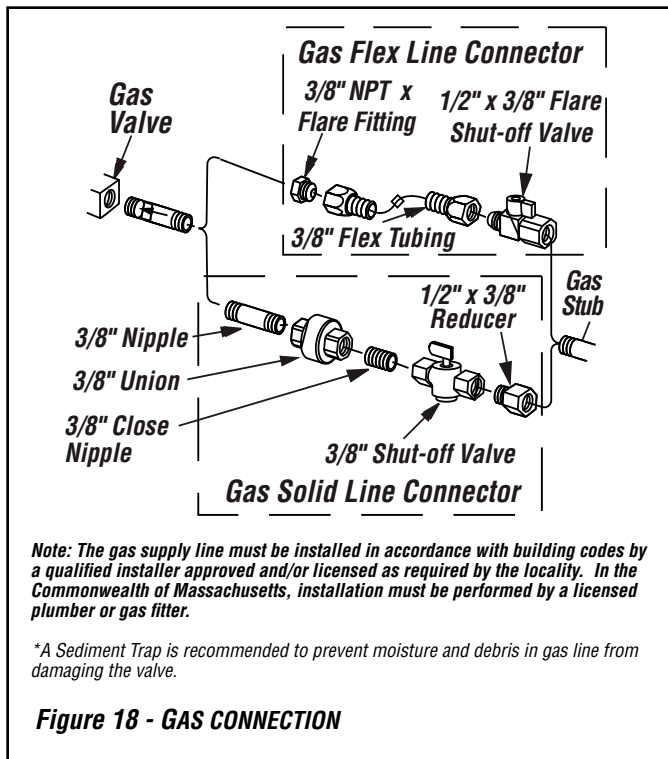
IMPORTANT NOTE: Seal the first section of pipe to the stove collar using mill-pac black, high temperature sealant.

Model #	SECURITY SECURE-VENT - Description	Model #	SIMPSON DURA-VENT Description
N/A	N/A	970	Basic Horizontal Term. Kit (90 Deg. Black Elbow, Wall Thimble Cover, Horizontal Square Term. Cap)
N/A	N/A	971	Horizontal Term. Kit A (90 Deg. Black Elbow, Wall Thimble Cover, Horizontal Square Term. Cap, adj. 24" black pipe, 11-14 5/8" adj. black pipe)
SV4FK	Vertical Flat Roof Term. Kit (w/flashing, storm collar, vertical Term. Cap)	973	Vertical Termination Kit (990B, 940, 984)
SV4FAK	Vertical pitched Roof Kit, 1/12-7/12 (with adjustable roof flashing, storm collar, vertical termination cap)	978	Vertical Pitched Roof Kit, 0/12-6/12 (with adjustable flashing, storm collar, low profile term. Cap)
SV4FBK	Vertical pitched Roof Kit, 8/12-12/12 (with adjustable roof flashing, storm collar, vertical termination cap)	N/A	N/A
SV4L6	6" Pipe Length (Galvanized)	908	6" Pipe Length (Galvanized)
SV4LB6	6" Pipe Length (Black)	908B	6" Pipe Length (Black)
N/A	N/A	907B	9" Pipe Length (Black)
SV4L12	12" Pipe Length (Galvanized)	906	12" Pipe Length (Galvanized)
SV4LB12	12" Pipe Length (Black)	906B	12" Pipe Length (Black)
SV4L24	24" Pipe Length (Galvanized)	904	24" Pipe Length (Galvanized)
SV4LB24	24" Pipe Length (Black)	904B	24" Pipe Length (Black)
SV4L36	36" Pipe Length (Galvanized)	903	36" Pipe Length (Galvanized)
SV4LB36	36" Pipe Length (Black)	903B	36" Pipe Length (Black)
SV4L48	48" Pipe Length (Galvanized)	902	48" Pipe Length (Galvanized)
SV4LB48	48" Pipe Length (Black)	902B	48" Pipe Length (Black)
SV4LA	6" Adj. Pipe Length, (Galvanized)	908	6" Adj. Pipe Length, (Galvanized)
SV4LBA	6" Adj. Pipe Length (Black)	N/A	N/A
SV4LA12	12" Adj. Pipe Length, (Galvanized)	911	11"-14 5/8" Adj. Pipe Length (Galvanized)
SV4LBA12	12" Adj. Pipe Length, (Black)	911B	11"-14 5/8" Adj. Pipe Length (Black)
SV4E45	45 Deg. Elbow, Swivel (Galvanized)	945G	45 Deg. Elbow, Swivel (Galvanized)
SV4EB45	45 Deg. Elbow, Swivel (Black)	945BG	45 Deg. Elbow, Swivel (Black)
SV4E90	90 Deg. Elbow, Swivel (Galvanized)	990G	90 Deg. Elbow, Swivel (Galvanized)
SV4EB90	90 Deg. Elbow, Swivel (Black)	990BG	90 Deg. Elbow, Swivel (Black)
SV4E90	90 Deg. Elbow (Galvanized)	990	90 Deg. Elbow (Galvanized)
SV4EB90	90 Deg. Elbow (Black).	990B	90 Deg. Elbow (Black)
SV4CHC-1	Horizontal Standard Term. Cap	984	Horizontal Standard Term. Cap
N/A	N/A	991	Vertical High Wind Term. Cap
SV4CGV	Vertical Termination Cap	N/A	N/A
SV4STC36	Snorkel Termination Cap 36"	981	Snorkel Termination Cap 36"
SV4STC14	Snorkel Termination Cap 14"	982	Snorkel Termination Cap 14"
SV4VS	Vinyl Shield Protector	950	Vinyl Siding Standoff
SV4SF	Round Ceiling Support / Wall Thimble Cover	940	Round Ceiling Support / Wall Thimble Cover
SV4CSB	Cathedral Ceiling Support Box, decorative square	941	Cathedral Ceiling Support Box
SV4PF	Black Plate, Decorative, Square	N/A	N/A
SV4SU	Universal Support	942	Round Ceiling Support Box/Wall Thimble
SV4FC	Storm Collar	953	Storm Collar
SV4RSM	Wall Radiation Shield	N/A	N/A
SV4BF	Firestop	963	Firestop Spacer
SV4F	Flashing, Flat Roof (storm collar included)	N/A	N/A
SV4FA	Flashing, Adjustable roof 1/12-7/12 (storm collar included)	943	Flashing 0/12-6/12
SV4FB	Flashing, Adjustable 8/12-12/12 (storm collar included)	943S	Flashing 7/12-12/12
SV4BM	Wall Band (Strap)	988	Wall Strap

Table 8

NOTE: Snorkel Caps: These are elongate vent termination caps, which incorporate the principles of natural draft into a horizontal installation. Two styles are common, 14" and 36" (Cap height). They enhance draft and relieve back-pressure by creating natural draft in the snorkel.

Step 10. CONNECTING GAS LINE



Make gas line connections. All codes require a shut-off valve mounted in the supply line. **Figure 18** illustrates two methods for connecting the gas supply. The flex-line method is acceptable in the U.S., however, Canadian requirements vary depending on locality. Installation must be in compliance with local codes.

These appliances are equipped with a gas flex line for use (where permitted) in connecting the unit to the gas line. A gas flex line is provided to aid in attaching the direct-vent appliance to the gas supply. The gas flex line can only be used where local codes permit. See **Figure 18** for flex line description. The flex line is rated for both natural and propane gas. A manual shut off valve is also provided with the flex line. The gas control valve is located in the lower control compartment. To access the valve, open the lower access door. The millivolt control valve has a 3/8" (10 mm) NPT thread inlet port fitting.

AIR PURGING PROCEDURES MUST PERFORMED BY A QUALIFIED TECHNICIAN ONLY.

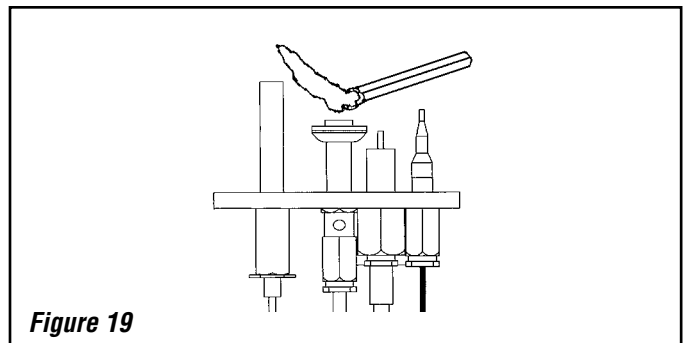
Purging Air from Supply Line

- Turn gas supply line valve off.
- Loosen setscrew at inlet pressure tap on upper right of control valve (see **Figure 30**).
- Turn gas supply line valve on.
- When gas flows, turn supply valve off.
- Close the inlet pressure tap.

Purging Air from Appliance

Purge air from appliance by holding gas control valve down in the pilot position until pilot will light (see **Figure 19**). **DO NOT LIGHT A MATCH IF YOU SMELL GAS.** Light a match then allow gas flow to pilot. If the Match "blows", there is air in the line (purge line). If the flame is straight and tall, there is no gas pressure.

When first lighting the appliance, it will take a few minutes for the line to purge air from the appliance. Once purging is complete, the pilot and burner will light and operate as indicated in the instruction manual. Subsequent lightings of the appliance will not require such purging. Inspect the pilot flame (remove logs, if necessary, handling carefully).



Step 11. INSTALLING LOGS AND GLOWING EMBERS

The packaged log set and bag of glowing embers are located within the firebox of the stove.

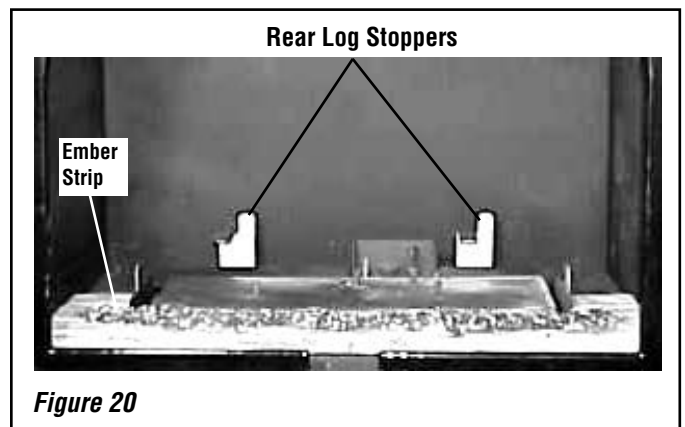
Installation Instructions:

WARNING

If logs are not installed according to the directions shown here, flame impingement and improper combustion could occur and result in soot and/or excessive production of carbon monoxide (CO), a colorless, odorless, toxic gas.

Carefully install the ember strip and seven-piece log set into the firebox as shown in these instructions. All logs should fit onto corresponding pins and/or log stoppers. This will ensure a proper flame and safe combustion.

- Carefully place the ember strip as shown in **Figure 20**. Ensure that it is pushed all the way back in position (toward the sub-floor front flange).



Note: If an optional Brick Liner Kit was purchased, install it now, per instructions provided in kit

2. Place the largest log onto the rear log stoppers (see **Figure 20**). Ensure that the grooves on the bottom of the log aligns onto the corresponding places on the rear log stoppers. Push the log back so that it is against the back of the rear log stoppers (see **Figure 21**).



Figure 21

3. Place the left front log onto the corresponding burner pin and sub-floor left tab as shown in **Figure 22**.

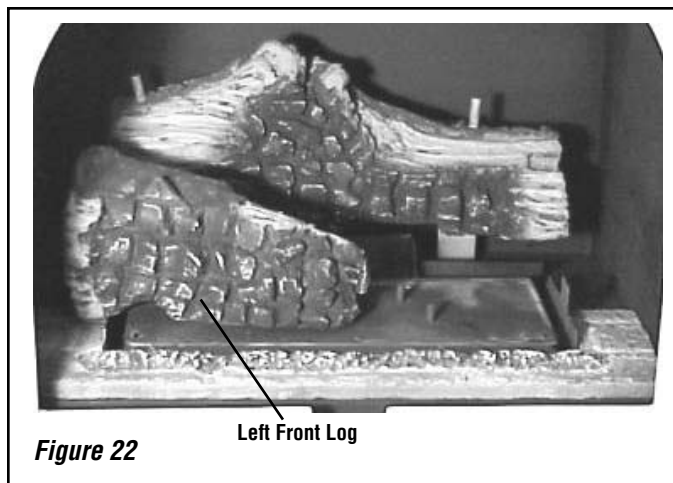


Figure 22

4. Place the center log piece over the corresponding pins next to the front left log as shown in **Figure 23**.

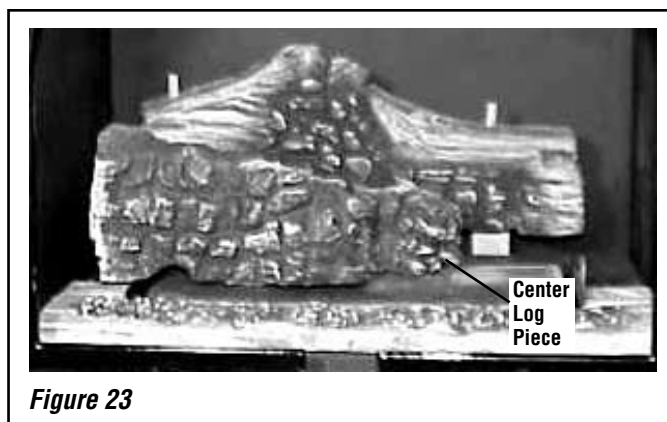


Figure 23

5. Install the right front log onto the corresponding burner pin and sub-floor right tab as shown in **Figure 24**.

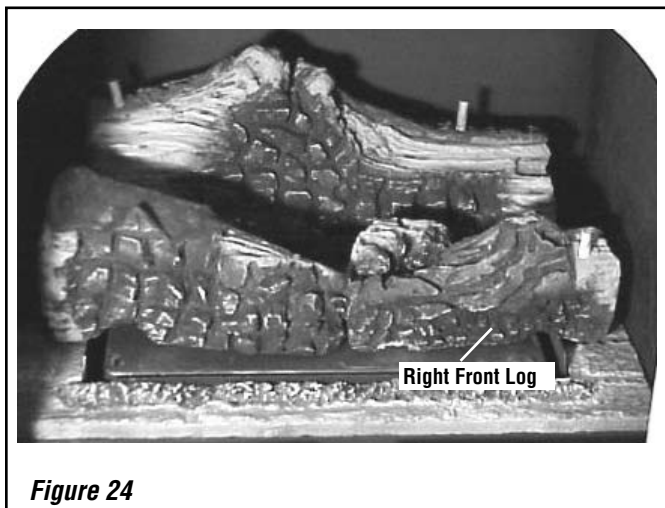


Figure 24

6. Install the left top twig onto the corresponding pin on the rear log and align it with the indentation on the front left log as shown in **Figure 25**.

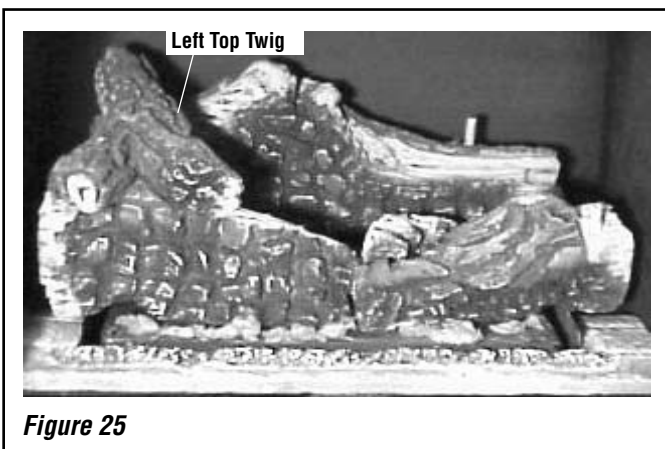


Figure 25

7. Install the center top twig onto the corresponding pin on the rear log and align it with the indentation on front left log as shown in **Figure 26**.

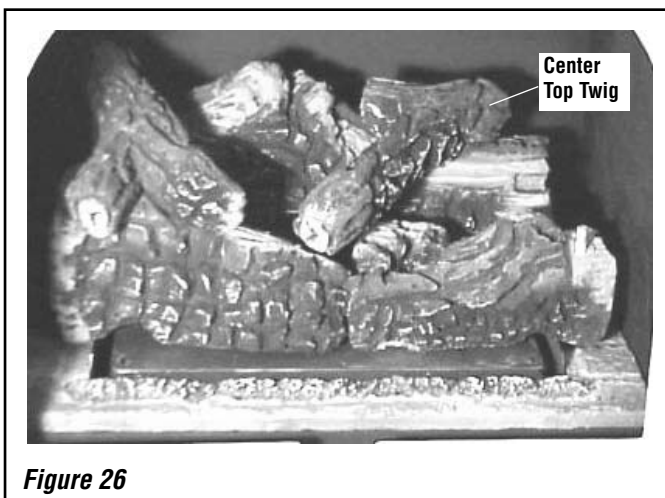


Figure 26

NOTE: DIAGRAMS & ILLUSTRATIONS ARE NOT TO SCALE.

8. Install the front right twig onto the corresponding pin on the right front log. Align the twig with the indentation on the front right log as shown in **Figure 27**.

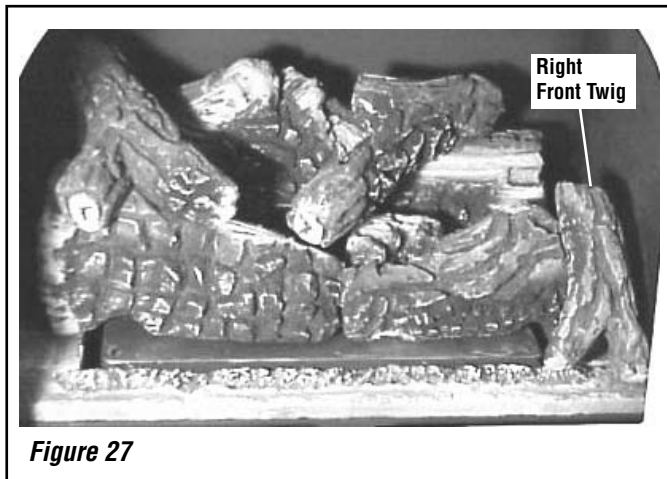


Figure 27

9. Place the glowing embers on the burner as shown in **Figures 28 and 29**.

One package of ember material has been included with this log set. You will not need to use the entire bag.

IMPORTANT: The quantity and placement of the ember material can affect stove performance therefore it is very important that it be placed as shown in Figures 28 and 29.

- a. Unpackage and divide the fine ember material (mineral wool) into dime-sized fluffy pieces.
- b. Distribute the pieces over the top of the front burner ports avoiding covering the slots (see **Figure 29**) and filling the area in front of the forward logs.

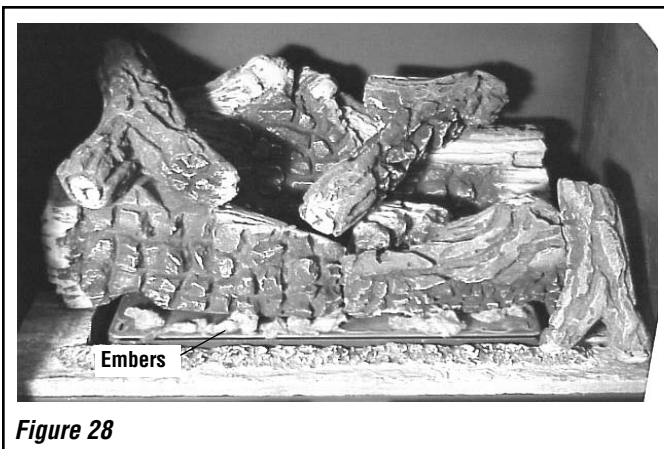
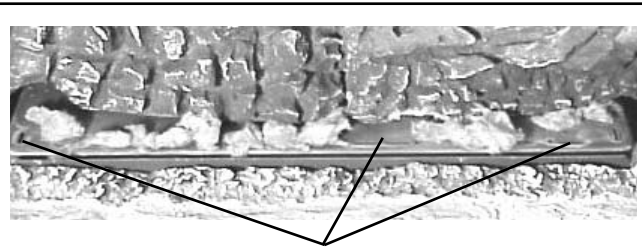


Figure 28



DO NOT PLACE EMBERS ON TOP OF THE BURNER SLOTS.

Figure 29

VERIFY THAT THE GAS LINE HAS BEEN PURGED OF AIR (SEE STEP 10).

Step 12. RE-INSTALL FRONT GLASS ENCLOSURE PANEL

(Reverse instructions on Step 4)

Retrieve the front glass enclosure panel. Visually inspect the gasket on the backside of the frame. Gasket surface must be clean, free of irregularities and seated firmly.

With the stove top off, position the glass front enclosure panel into the front opening with the gasket facing the relief door (reference **Figures 8 and 9**). Let the bottom of the door frame gently slide down, then hook the top flange of the glass frame over the top of the firebox frame.

Fasten the two latches located beneath the firebox floor to the glass frame vee-flange. Close both the latches securely.

Step 13. TEST ALL CONNECTIONS FOR LEAKS (FACTORY AND FIELD).

WARNING

Never use an open flame to check for leaks.

Turn on gas supply and test for gas leaks using a gas leak test solution (also referred to as bubble leak solution). **Note:** Using a soapy water solution (50% dish soap, 50% water) is an effective leak test solution but it is not recommended, because the soap residue that is left on the pipes/fittings can result in corrosion over time.

- A. Light the appliance (refer to the lighting instructions provided in the Homeowner's Care and Operation Instructions).
- B. Brush all joints and connections with the gas leak test solution to check for leaks. If bubbles are formed, or gas odor is detected, turn the gas control knob (off/pilot/on) to the "OFF" position. Either tighten or refasten the leaking connection, then retest as described above.
- C. When the gas lines are tested and leak free be sure to rinse off the leak testing solution,
- D. Turn on burner then observe the individual tongues of flame on the burner. Make sure all ports are open and producing flame evenly across the burner. If any ports are blocked, or partially blocked, clean out the ports.

Step 14. CHECKING APPLIANCE OPERATION

With gas line installed run initial system checkout before closing up the front of the unit. Follow the pilot lighting instructions provided in the Homeowner's Care and Operation Instructions (or pull out the instruction label located in a holder on rear shield of stove). For piezo igniter location see **Figure 30**.

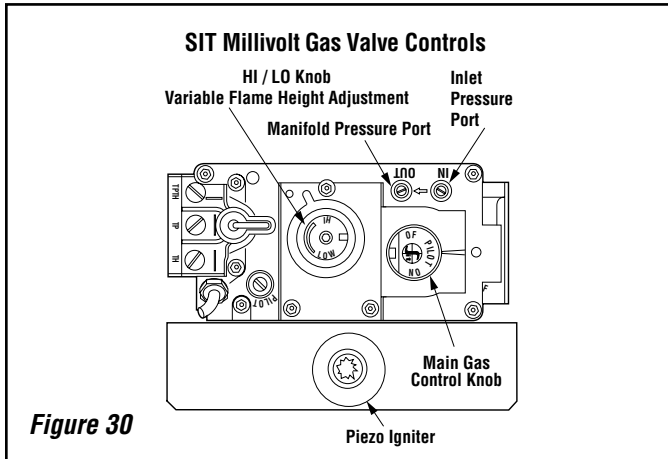


Figure 30

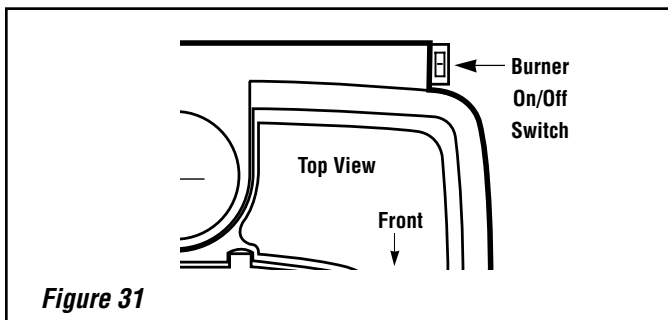


Figure 31

SIT Millivolt Appliance Checkout

The pilot flame should be steady, not lifting or floating. Flame should be blue in color with traces of orange at the outer edge. The top 3/8" (10 mm) at the pilot generator (thermopile) and the top 1/8" minimum (tip) of the quick drop out thermocouple should be engulfed in the pilot flame.

The flame should project 1" (25 mm) beyond the hood at all three ports (**Figure 32**).

Replace logs if removed for pilot inspection.

To light the burner, rotate the gas valve control knob counterclockwise to the "ON" position then turn "ON" the ON/OFF rocker switch.

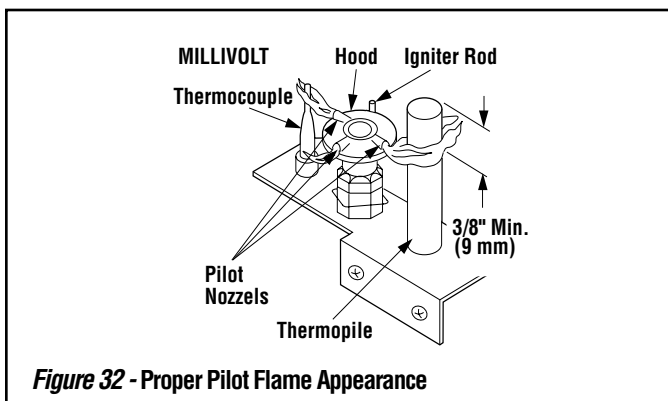


Figure 32 - Proper Pilot Flame Appearance

Step 15. BURNER ADJUSTMENTS

Flame Appearance and Sooting

Proper flame appearance is a matter of taste. Generally, most people prefer the warm glow of a yellow to orange flame.

Appliances operated with air shutter openings that are too large will exhibit flames that are blue and transparent. These weak, blue and transparent flames are termed anemic. If the air shutter opening is too small sooting may develop.



Figure 33 - Burner Flame Appearance

Sooting is indicated by black puffs developing at the tips of very long orange flames. Sooting results in black deposits forming on the logs, appliance inside surfaces and on exterior surfaces adjacent to the vent termination. Sooting is caused by incomplete combustion in the flames and lack of combustion air entering the air shutter opening. To achieve a warm yellow to orange flame that does not soot, the shutter opening must be adjusted between these two extremes.

No smoke or soot should be present. Reposition the logs if flames impinge on any of them. If the logs are properly positioned and sooting conditions exist, the air shutter opening on the main burner tube should be adjusted. Normally, the more offsets in the vent system, the greater the need for the air shutter to be opened further.

! IMPORTANT

Ensure that the front glass panel is in place and sealed during adjustment.

! WARNING

Air shutter adjustment should only be performed by a qualified professional service technician.

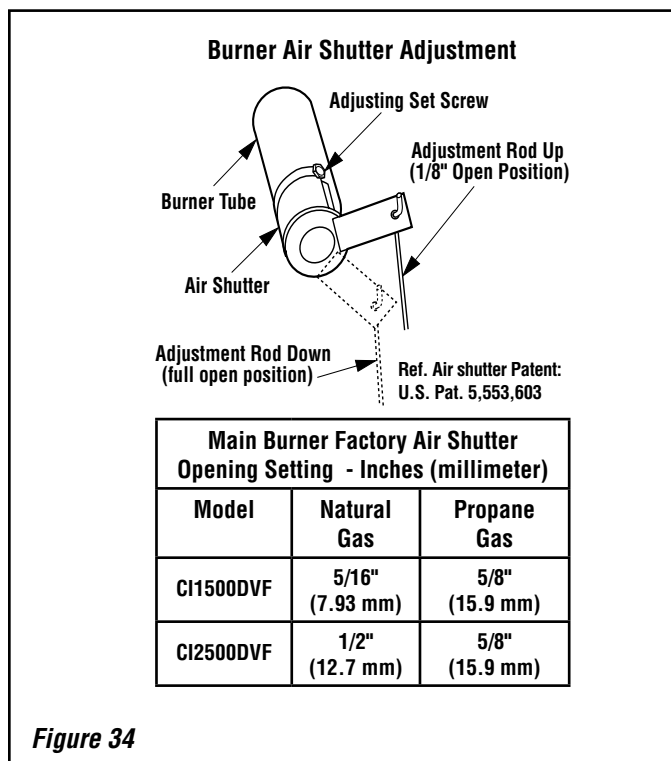
! CAUTION

The adjustment rod and nearby appliance surfaces are hot. Exercise caution to avoid injury while adjusting flame appearance.

Burner Adjustment

Initially, always position the air shutter to the factory setting as shown in **Figure 34** (adjustment rod is located in the lower control area). This can be done by moving the adjustment rod up or down accordingly. Allow the burner to operate for at least 15 minutes. Observe the flame continuously. If it appears weak or sooty as previously described, adjust the air shutter to a more open position until the desired flame appearance is achieved.

The adjustment rod and associated adjustable air shutter is patented technology. Flame adjustments can be made quickly and accurately to taste without the need of disassembling the appliance and waiting for 30 minutes after each adjustment.



Air Shutter Adjustment Guidelines:

If the burner flame appearance differs greatly from what is shown on **Page 21** (see **Figure 33**), some adjustment from standard for the air shutter gap may be necessary (to compensate for variables in the installation and fuel such as, BTU value / composition, gas pressure, specific gravity of gas, altitude, etc.).

The following chart is provided to aid you in achieving the correct air shutter adjustment for your installation.

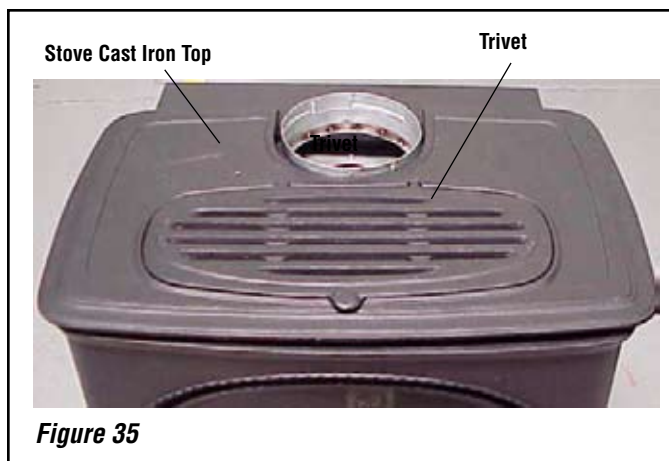
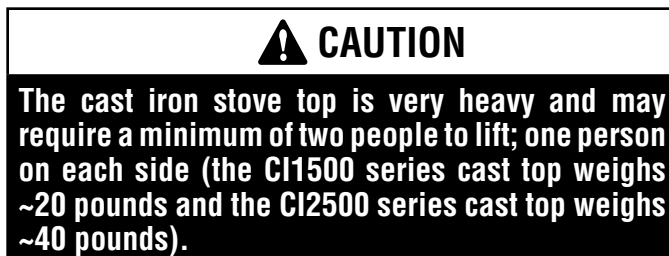
Air Shutter Adjustment Guidelines:		
Amount of Primary Air	Flame Color	Air Shutter Adjustment
If air shutter is closed too far →	Flame will be yellow →	Air shutter gap should be increased
If air shutter is open too far →	Flame will be blue →	Air shutter gap should be decreased

Table 9

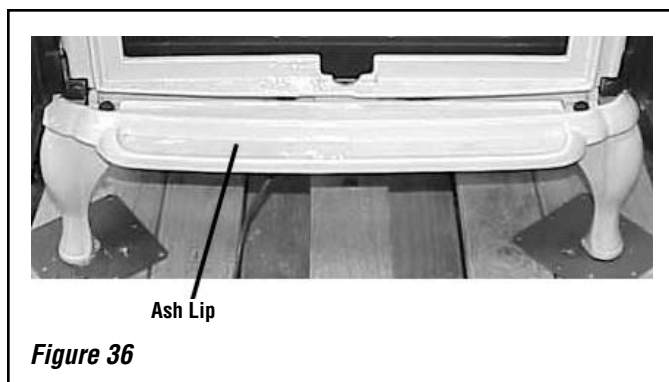
When satisfied that the appliance operates properly, proceed to finish the installation. Leave the control knob in the ON position and the on/off switch in the OFF position.

Step 16. INSTALL STOVE TOP, TRIVET AND ASH LIP

- A. Place the cast iron top into position on the stove top (See **Figure 35**). Place the trivet into the recess on the cast iron top (See **Figure 35**).



- B. Locate the *ash lip* from packaging (Step 2). Remove the 2 bolts from the tapped holes in the ash lip. Align the ash lip below the firebox as shown in **Figure 36** (the tapped holes in ash lip should align with corresponding slots below firebox). Reinstall the 2 bolts that were removed from the ash lip (finger tight only. If a tool is used, be careful not to overtighten).



Step 17. INSTALLER INSTRUCTIONS - ATTACHING SAFETY IN OPERATION WARNINGS

It is the installers responsibility to ensure these warnings are properly affixed during installation. These warning labels are a critical step in informing consumers of safe operation of this appliance.

ATTACHING SAFETY IN OPERATION WARNINGS

It is required that the safety instruction labels furnished with the fireplace be affixed to the operation and control point of the fireplace. A safety instruction label must be affixed to the wall switch plate where the fireplace is turned on and off (See **Figure A**) or wall thermostat (See **Figure B**) and if used on the remote control handheld transmitter (**Figure C**). To properly complete the installation of this fireplace, locate the multi-lingual adhesive labels provided with the Care and Operation Instructions and proceed as follows:

1. Locate the wall switch or wall thermostat that controls the fireplace (verify the switch operates the fireplace by turning it on and off). Clean the wall switch plate or wall thermostat thoroughly to remove any dust and oils. Affix the label to the surface of the plate of the wall switch that controls the fireplace (**Figure A**) or the wall thermostat (**Figure B**). Choose the language primarily spoken in the home. If unknown, affix the English language label.
2. If a remote control is used to control the fireplace, locate the transmitter and clean it thoroughly to remove any dust and oils. Affix the label to the surface of handheld transmitter (**Figure C**). Choose the language primarily spoken in the home. If unknown, affix the English language label.
3. If you are unable to locate the labels, please call Lennox Hearth Products or your nearest Lennox Hearth Products dealer to receive additional safety instruction labels free of charge.

Cat. No. H8024 Replacement Label Kit

LENNOX HEARTH PRODUCTS
1-800-9-LENNOX

Note: English is red text on clear label. French and Spanish are white text on black label.

APPOSITION DES MISES EN GARDE RELATIVES À LA SÉCURITÉ D'UTILISATION

Il est impératif que les étiquettes de sécurité fournies avec le foyer soient collées à côté des dispositifs de contrôle du foyer. Une étiquette de sécurité doit être collée sur la plaque de l'interrupteur contrôlant l'allumage du foyer (voir **Figure A**) ou sur le thermostat mural (voir **Figure B**) et, le cas échéant, sur le boîtier de la télécommande (**Figure C**). Pour achever l'installation correcte de ce foyer, procédez comme suit avec les étiquettes adhésives en langues étrangères fournies avec les instructions d'utilisation et d'entretien :

1. Repérez l'interrupteur ou le thermostat mural qui contrôle le foyer (vérifiez que l'interrupteur contrôle le fonctionnement du foyer en le faisant basculer de Marche à Arrêt, et vice-versa). Nettoyez soigneusement la plaque murale de l'interrupteur ou le thermostat mural pour éliminer la poussière et les traces de graisse ou d'huile. Collez l'étiquette sur la surface de la plaque de l'interrupteur mural qui contrôle le foyer (**Figure A**) ou du thermostat mural (**Figure B**). Choisissez la langue qui est principalement parlée dans la résidence du propriétaire. En cas de doute, collez l'étiquette en anglais.
2. Si une télécommande est utilisée pour contrôler le foyer, nettoyez la soigneusement pour éliminer la poussière et les traces de graisse ou d'huile. Collez l'étiquette sur le boîtier de la télécommande (**Figure C**). Choisissez la langue qui est principalement parlée dans la résidence du propriétaire. En cas de doute, collez l'étiquette en anglais.
3. Si vous ne trouvez pas les étiquettes, veuillez appeler Lennox Hearth Products ou votre distributeur Lennox Hearth Products local pour recevoir gratuitement des étiquettes supplémentaires.

Étiquettes de remplacement, n° cat. H8024

LENNOX HEARTH PRODUCTS
1-800-9-LENNOX

Remarque : Le texte anglais est rouge sur un support transparent. Le texte français et espagnol est blanc sur un support noir.

COLOCACIÓN DE ADVERTENCIAS DE SEGURIDAD EN OPERACIÓN

Se requiere que las etiquetas de instrucciones de seguridad incluidas con la chimenea se coloquen en el punto de operación y control de la misma. Se debe colocar una etiqueta de instrucciones de seguridad en la placa del interruptor de pared desde el cual se enciende y se apaga la chimenea (ver la **Figure A**) o en el termostato de pared (ver la **Figure B**) y en el transmisor de control remoto (**Figure C**) si se usa. Para completar correctamente la instalación de esta chimenea, encuentre las etiquetas adhesivas multilingües incluidas con las instrucciones de cuidado y operación y haga lo siguiente:

1. Identifique el interruptor o el termostato de pared que controla la chimenea (verifique que el interruptor opera la chimenea encendiéndola y apagándola). Limpie bien la placa del interruptor o el termostato de pared para quitar el polvo y aceite. Pegue la etiqueta en la superficie de la placa del interruptor que controla la chimenea (**Figure A**) o en el termostato de pared (**Figure B**). Seleccione el idioma que más se habla en la casa. Si no sabe cuál es, use la etiqueta en inglés.
2. Si se usa un control remoto para controlar la chimenea, encuentre el transmisor y límpielo bien para quitar el polvo y aceite. Pegue la etiqueta en la superficie del transmisor (**Figure C**). Seleccione el idioma que más se habla en la casa. Si no sabe cuál es, use la etiqueta en inglés.
3. Si no puede encontrar las etiquetas, sírvase llamar a Lennox Hearth Products o al distribuidor de Lennox Hearth Products más cercano para recibir etiquetas de instrucciones de seguridad adicionales gratuitas.

Juego de etiquetas de repuesto - N° de cat. H8024

LENNOX HEARTH PRODUCTS
1-800-9-LENNOX

Nota: La etiqueta en inglés es transparente con texto rojo. Las etiquetas en francés y español son negras con texto blanco.

DIAGRAMMES DES ÉTIQUETTES DE SÉCURITÉ / DIAGRAMAS DE ETIQUETAS DE SEGURIDAD / SAFETY LABEL DIAGRAMS

⚠ AVERTISSEMENT

Un foyer chaud peut causer de graves brûlures
Ne laissez jamais un enfant toucher à la vitre ou à toutes autres parties du foyer

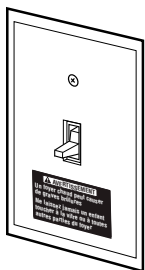


Figure A

⚠ ADVERTENCIA

La chimenea caliente causará quemaduras graves
Nunca permita que los niños toquen el vidrio ni otras partes de la chimenea



Figure B

⚠ WARNING



Hot Fireplace Will Cause Severe Burns
Never Allow Children to Touch Glass or other Fireplace Parts





Figure C

NOTE: DIAGRAMS & ILLUSTRATIONS ARE NOT TO SCALE.

RATING LABELS

		MODEL NO. CI1500DVF SERIES
MANUFACTURED AT: AUBURN, WASHINGTON		
FOR USE WITH NATURAL GAS.		EQUIPE POUR GAZ NATUREL
ALTIMUDE		0-4500 FT (0-1370 M)
MIN. GAS SUPPLY PRESS ("WC)		4.5"
PRESS MIN. D'ALIMENTATION ("CE)		3.5"
MANIFOLD PRESSURE ("WC)		#37
PRESSION CE TUBULURE ("CE)		#37
MANUFACTURER'S RECOMMENDED ORIFICE SIZE		#37
DIMENSION DE L'INJECTEUR RECOMMANDE PAR		#37
MANUFACTURIER (DMS)		#37
MAX INPUT (BTUH)		28,000
ENTRÉE MAX (BTUH)		28,000
MIN INPUT (BTUH)		17,500
ENTRÉE MIN (BTUH)		17,500
ELECTRICAL RATING/EXIGENCES ELECTRIQUES:		-UNIT/APPREIL: MILLIVOLT
OPTIONAL FAN/SOUFFLEUR OPTIONAL <input checked="" type="checkbox"/>		1 ph 60 HZ 120 VOLTS LESS THAN 5 AMPS
MINIMUM	SIDEWALLS	2"
	FLOOR	0"
CLEARANCES TO	CEILING OR ALCOVE HEIGHT	62"
	BACK/CORNER 45°	4"
COMBUSTIBLE	VENT SURFACES: TOP	3"
	SIDES	1"
MATERIAL	BOTTOM	1"
ALCOVE MAXIMUM DEPTH		48"
DEGAGEMENT	MUR ADJACENTS	50.8mm
	PLANCHER	0mm
MINIMUM DE	PLAFOND OU HAUTEUR D'ALCÔVE	1574.8mm
	EN ARRIÈRE ET COIN 45 ANGLE	101.6mm
MATERIAUX	SURFACES D'AERATION: DESSUS	76.2mm
	COTES	25.4mm
COMBUSTIBLES	BAS	25.4mm
PROFONDEUR D'ALCÔVE MAXIMALE		1219.2mm
DIRECT VENT GAS STOVE / APPAREIL A GAZ AVEC EVACUATION DIRECTE VENTED GAS STOVE HEATER - NOT FOR USE WITH SOLID FUEL. FOYER DE CHAUFFAGE AU GAZ A EVACUATION - NE DOIT PAS ETRE UTILISE AVEC UN COMBUSTIBLE SOLIDE.		
FOR USE WITH GLASS DOOR CERTIFIED WITH THE APPLIANCE ONLY. N'UTILISER SEULEMENT QUE LA PORTE DE VERRE CERTIFIE AVEC L'APPAREIL. "CAUTION: Do not operate the appliance with glass removed, cracked or broken. Replacement of panel should be done by a licensed or qualified service person." "This appliance is equipped at the factory for use with natural gas only. Units using propane must be field converted using the LP conversion kit, P/N H3705"		
FINAL INSPECTION BY:		
ANSI Z21.88-2007 CSA 2.33-2007 CAN/CGA-2.17-M91		
		Portland Oregon USA
OMNI-Test Laboratories, Inc.		
VENTED GAS STOVE HEATERS		
FOYER DE CHAUFFAGE AU GAZ A EVACUATION		P/N 9-1452A
SERIAL NUMBER/NOMBRE DE SERIE		
XXXXX XXXXX		
XXXXXXXXXXXXXXXXXXXX		
P/N 9-1452A		

		MODEL NO. CI2500DVF SERIES
MANUFACTURED AT: AUBURN, WASHINGTON		
FOR USE WITH NATURAL GAS.		EQUIPE POUR GAZ NATUREL
ALTIMUDE		0-4500 FT (0-1370 M)
MIN. GAS SUPPLY PRESS ("WC)		4.5"
PRESS MIN. D'ALIMENTATION ("CE)		3.5"
MANIFOLD PRESSURE ("WC)		.121
PRESSION CE TUBULURE ("CE)		.121
MANUFACTURER'S RECOMMENDED ORIFICE SIZE		.121
DIMENSION DE L'INJECTEUR RECOMMANDE PAR		.121
MANUFACTURIER (DMS)		.121
MAX INPUT (BTUH)		38,500
ENTRÉE MAX (BTUH)		38,500
MIN INPUT (BTUH)		25,500
ENTRÉE MIN (BTUH)		25,500
ELECTRICAL RATING/EXIGENCES ELECTRIQUES:		-UNIT/APPREIL: MILLIVOLT
OPTIONAL FAN/SOUFFLEUR OPTIONAL <input checked="" type="checkbox"/>		1 ph 60 HZ 120 VOLTS LESS THAN 5 AMPS
MINIMUM	SIDEWALLS	2"
	FLOOR	0"
CLEARANCES TO	CEILING OR ALCOVE HEIGHT	62"
	BACK/CORNER 45°	4"
COMBUSTIBLE	VENT SURFACES: TOP	3"
	SIDES	1"
MATERIAL	BOTTOM	1"
ALCOVE MAXIMUM DEPTH		48"
DEGAGEMENT	MUR ADJACENTS	50.8mm
	PLANCHER	0mm
MINIMUM DE	PLAFOND OU HAUTEUR D'ALCÔVE	1574.8mm
	EN ARRIÈRE ET COIN 45 ANGLE	101.6mm
MATERIAUX	SURFACES D'AERATION: DESSUS	76.2mm
	COTES	25.4mm
COMBUSTIBLES	BAS	25.4mm
PROFONDEUR D'ALCÔVE MAXIMALE		1219.2mm
DIRECT VENT GAS STOVE / APPAREIL A GAZ AVEC EVACUATION DIRECTE VENTED GAS STOVE HEATER - NOT FOR USE WITH SOLID FUEL. FOYER DE CHAUFFAGE AU GAZ A EVACUATION - NE DOIT PAS ETRE UTILISE AVEC UN COMBUSTIBLE SOLIDE.		
FOR USE WITH GLASS DOOR CERTIFIED WITH THE APPLIANCE ONLY. N'UTILISER SEULEMENT QUE LA PORTE DE VERRE CERTIFIE AVEC L'APPAREIL. "CAUTION: Do not operate the appliance with glass removed, cracked or broken. Replacement of panel should be done by a licensed or qualified service person." " "This appliance is equipped at the factory for use with natural gas only. Units using propane must be field converted using the LP conversion kit, P/N H3705"		
FINAL INSPECTION BY:		
ANSI Z21.88-2007 CSA 2.33-2007 CAN/CGA-2.17-M91		
		Portland Oregon USA
OMNI-Test Laboratories, Inc.		
VENTED GAS STOVE HEATERS		
FOYER DE CHAUFFAGE AU GAZ A EVACUATION		P/N 9-1452F
SERIAL NUMBER/NOMBRE DE SERIE		
XXXXX XXXXX		
XXXXXXXXXXXXXXXXXXXX		
P/N 9-1452F		

NOTES

Lennox reserves the right to make changes at any time, without notice, in design, materials, specifications, prices and also to discontinue colors, styles and products. Consult your local distributor for fireplace code information.



Printed in U.S.A. © 2003 Lennox Hearth Products

P/N 775,147M REV. E 03/2010

1508 Elm Hill Pike, Suite 108 • Nashville, TN 37210

Free Manuals Download Website

<http://myh66.com>

<http://usermanuals.us>

<http://www.somanuals.com>

<http://www.4manuals.cc>

<http://www.manual-lib.com>

<http://www.404manual.com>

<http://www.luxmanual.com>

<http://aubethermostatmanual.com>

Golf course search by state

<http://golfingnear.com>

Email search by domain

<http://emailbydomain.com>

Auto manuals search

<http://auto.somanuals.com>

TV manuals search

<http://tv.somanuals.com>