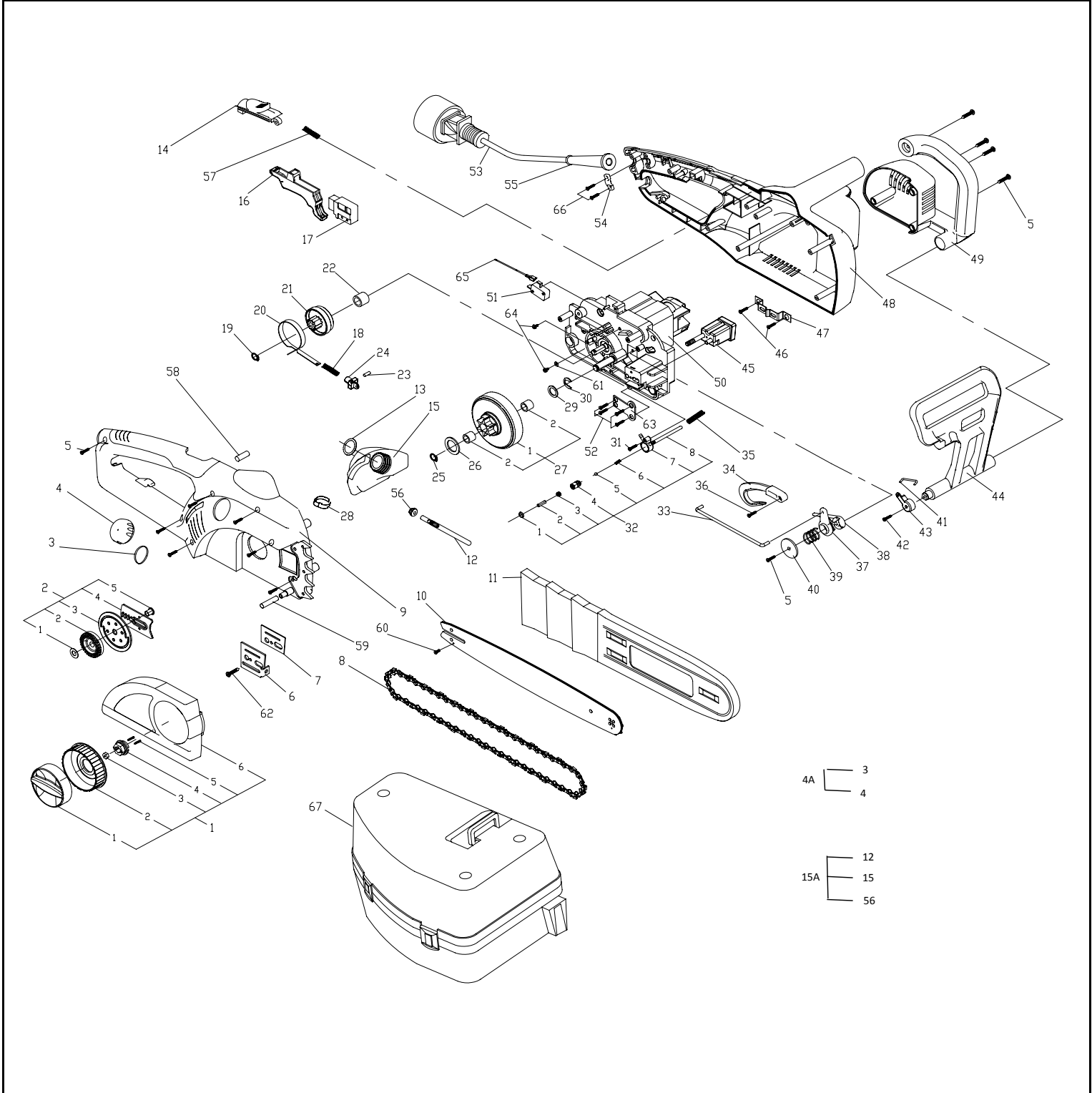




SERVICE SPARE PARTS LIST

SPECIFY MODEL NO. WHEN ORDERING PARTS		DATE	REVISED DATE
16" Electric Chain Saw		11/28/2007	7/27/2009
MODEL NO.	MCC4516FK		V1



16" Electric Chain Saw MCC4516FK

PARTS LIST

7/27/2009

No.	Parts No.	Description	Q	P Code
1	6228-211402	SPROCKET COVER ASS'Y	1	100
2	6228-211504	SPROCKET ASS'Y	1	100
3	6012-210501	WASHER	1	100
4A	AO6017-210103-US888	OIL CAP ASS'Y INCL 3, 4	1	100
4	6017-210103	OIL CAP	1	100
5	6SDABB04-18	SCREW	14	100
6	6043-211302	ADJUSTMENT PLATE	1	100
7	6050-211301	GASKET	1	100
8	6220-210201	16 INCH CHAIN	1	100
9	6038-211503	HOUSING (R)	1	100
10	9040-310111M	16 INCH BAR	1	100
11	6101-210502	BAR COVER	1	100
12	6228-211506	OIL PIPE ASS'Y	1	100
13	6076-210503	WASHER	1	100
14	6056-211501	SWITCH BUTTON	1	100
15A	AO6066-211501-US888	OIL TANK ASSY INCL 12, 15, 56	1	100
15	6066-211501	OIL TANK	1	100
16	6028-211501	TRIGGER	1	100
17	6022-211502	SWITCH	1	100
18	6024-211301	SPRING	1	100
19	6CG-9.5	C RING	1	100
20	6079-211501	SPRING, BRAKE	1	100
21	6073-211501	GEAR	1	100
22	6059-210201	ADJUSTMENT COVER	1	100
23	6115-211502	PIN	1	100
24	6154-211502	CONNECTION	1	100
25	6CC-10	C RING	1	100
26	6014-210502	WASHER	1	100
27	6228-210104	GEAR BEARING ASS'Y	1	100
28	6077-211501	COVER	1	100
29	6057-210102	WASHER	1	100
30	6CY-08	RING	1	100
31	6SDABB03-18	SCREW	1	100
32	6228-210105	OIL PUMP ASS'Y	1	100
33	6188-211501	PULL BAR	1	100
34	6114-211501	PULL PLATE	1	100
35	6024-211507	SPRING	2	100

16" Electric Chain Saw MCC4516FK

PARTS LIST

7/27/2009

No.	Parts No.	Description	Q	P Code
36	6SQABB04-20	SCREW	1	100
37	6181-211501	CLUTCH	1	100
38	6181-211502	CLUTCH	1	100
39	6024-211503	SPRING	1	100
40	6014-211501	WASHER	1	100
41	6154-211301	CONNECTING BAR	1	100
42	6SQABB4.5-30	SCREW	1	100
43	6154-211504	CONNECTOR	1	100
44	6017-211503	FRONT-HAND GUARD	1	100
45	6228-211303	FIXED ASS'Y	1	100
46	6SDABB04-16	SCREW	2	100
47	6079-211503	SPRING	1	100
48	6038-211504	HOUSING (L)	1	100
49	6086-211501	FRONT HANDLE COVER	1	100
50	6228-211401	MOTOR GEAR BOX ASS'Y	1	100
51	6022-211501	SWITCH	1	100
52	6SDABB04-10	SCREW	8	100
53	6011-211502	POWER CORD	1	100
54	6043-840001	STRAIN RELIEF	1	100
55	6059-855001	CORD GUARD	1	100
56	6012-211501	RUBBER STOP	1	100
57	6024-211506	SPRING	1	100
58	6PC05-14.7	PIN	1	100
59	6PC4.4-35	PIN	1	100
60	6SQAB-04-06	SCREW	1	100
61	6WFB-03-12	WASHER	1	100
62	6SDABB03-15	SCREW	1	100
63	6158-211502	PLATE	1	100
64	6SLABB03-06	SCREW	2	100
65	6010-211301	WIRE	1	100
66	6SDABB04-14	SCREW	2	100
67	6120-211401	CARRY CASE	1	100

Free Manuals Download Website

<http://myh66.com>

<http://usermanuals.us>

<http://www.somanuals.com>

<http://www.4manuals.cc>

<http://www.manual-lib.com>

<http://www.404manual.com>

<http://www.luxmanual.com>

<http://aubethermostatmanual.com>

Golf course search by state

<http://golfingnear.com>

Email search by domain

<http://emailbydomain.com>

Auto manuals search

<http://auto.somanuals.com>

TV manuals search

<http://tv.somanuals.com>