

## Direct-Vent Gas Fireplace

DAVE LENNOX  
*signature*  
COLLECTION

Installer: Leave This Manual With The Appliance.  
Consumer: Retain This Manual For Future Reference.

P/N 775,219M Rev. C, 06/2009

A French manual is available upon request. Order P/N 775,219CF.  
Ce manuel d'installation est disponible en français, simplement  
en faire la demande. Numéro de la pièce 775,219CF.

In the Commonwealth of Massachusetts:

- Installation must be performed by a licensed plumber or gas fitter
- See Table of Contents for location of additional Commonwealth of Massachusetts requirements

Tested &  
Listed By  
**O-T-L**  
US  
Portland  
Oregon USA  
OMNI-Test Laboratories, Inc.  
Report No.050-S-08c-5



Ravelle™ 42 (RAVL42)



### ! WARNINGS



- **Hot! Do not touch!** The glass and surfaces of this appliance will be hot during operation and will retain heat for a while after shutting off the appliance. Severe burns may result.
- **Carefully supervise children in the same room as appliance.** If small children are present in the home, it is recommended that this appliance be fitted with a barrier screen kit. See *Page 37* for ordering information.
- These appliances may be installed in an aftermarket permanently located, manufactured (mobile) home (USA only), where not prohibited by local codes. This appliance is only for use with the type of gas indicated on the rating plate. This appliance is not convertible for use with other gases unless a certified kit is used.
- Lennox Hearth Products gas-burning appliances are designed for use as a supplemental heater. They are not intended for continuous use as a primary heat source.

**WARNING:** If the information in these instructions is not followed exactly, a fire or explosion may result causing property damage, personal injury or death.

- Do not store or use gasoline or other flammable vapors and liquids in the vicinity of this or any other appliance.
- **WHAT TO DO IF YOU SMELL GAS**
  - Do not try to light any appliance.
  - Do not touch any electrical switch; do not use any phone in your building.
  - Immediately call your gas supplier from a neighbor's phone. Follow the gas supplier's instructions.
  - If you cannot reach your gas supplier, call the fire department.
- Installation and service must be performed by a qualified installer, service agency or the gas supplier.

**AVERTISSEMENT:** Assurez-vous de bien suivre les instructions données dans cette notice pour réduire au minimum le risque d'incendie ou d'explosion ou pour éviter tout dommage matériel, toute blessure ou la mort.

- Ne pas entreposer ni utiliser d'essence ni d'autres vapeurs ou liquides inflammables dans le voisinage de cet appareil ou de tout autre appareil.
- **QUE FAIRE SI VOUS SENTEZ UNE ODEUR DE GAZ:**
  - Ne pas tenter d'allumer d'appareil.
  - Ne touchez à aucun interrupteur. Ne pas vous servir des téléphones se trouvant dans le bâtiment où vous trouvez.
  - Appelez immédiatement votre fournisseur de gaz depuis un voisin. Suivez les instructions du fournisseur.
  - Si vous ne pouvez rejoindre le fournisseur de gaz, appelez le service des incendies.
- L'installation et l'entretien doivent être assurés par un installateur ou un service d'entretien qualifié ou par le fournisseur de gaz.

## IMPORTANT SAFETY AND WARNING INFORMATION

- ◆ **FOR YOUR SAFETY** do not install or operate your Ravelle™ 42 gas fireplace without first reading and understanding this manual. Any installation or operation of the appliance deviating from that which is stated in this manual WILL void the warranty and may be hazardous.
- ◆ **INSTALLATION AND REPAIR SHOULD ONLY BE DONE BY A QUALIFIED SERVICE TECHNICIAN. DO NOT ATTEMPT TO SERVICE THE APPLIANCE YOURSELF.**
- ◆ The fireplace should be inspected and cleaned before use and at least annually by a qualified service technician. More frequent cleaning may be required due to excessive lint from bedding material, carpeting, etc.
- ◆ It is imperative that control compartments, burners and circulating air passageways of the room heater be kept clean.
- ◆ Adequate clearances around the combustion chamber and accessibility clearances for servicing and proper operation must be maintained.
- ◆ Turn off the gas before servicing this appliance. It is recommended that a qualified service technician perform an appliance check-up at the beginning of each heating season.
- ◆ All installations must conform with all local, state and national codes. In the absence of local codes, the installation must conform with National Fuel Gas Code ANSI Z223.1-latest edition, also known as NFPA 54 (In Canada, the current CAN/CSA B149.1 installation code). Refer to the National Fuel Gas Code and local zoning and code authorities for details on installation requirements. Your Ravelle 42 gas fireplace must be vented to the outside in accordance with the latest edition of the National Fuel Gas Code.
- ◆ This gas fireplace **MUST** be vented directly to the outside and **MUST NEVER** be attached to a chimney serving a separate solid fuel burning appliance. Each gas appliance **MUST USE** a separate vent system. Common vent systems are **PROHIBITED**.
- ◆ Mobile home installations must conform with the Mobile Home Construction and Safety Standard, Title 24 CFR, Part 3280 (in Canada CAN/CSA Z240 MH), or, when such a standard is not applicable, the Standard for Mobile Home Installations, ANSI A225.1 - latest edition.
- ◆ The appliance, when installed, must be electrically grounded in accordance with local codes or in the absence of local codes, with the National Electrical Code, ANSI/NFPA 70 - latest edition. In Canada, the current CSA C22-1 Canadian Electrical Code - latest edition.
- ◆ Do not make any make-shift compromises during installation. Any modification or alteration may result in damage to the appliance or dwelling and will void the warranty, certification and listings of this unit.
- ◆ Failure to use manufacturer provided parts, variations in techniques and construction materials or practices other than those described in this manual may create a fire hazard and void the limited warranty.
- ◆ Your Lennox Hearth Products gas fireplace must be equipped for the proper fuel type and altitude at which it will be operated. Any operation outside the parameters outlined in this manual may result in a hazardous condition and will void the warranty. Please carefully read the sections pertaining to these subjects and/or be sure your appliance is properly equipped.
- ◆ Do not use this fireplace if any part has been under water. Immediately call a qualified service technician to inspect the appliance and to replace any part of the control system and any gas control which has been under water.
- ◆ Due to high temperatures, the fireplace should be located out of traffic areas and away from furniture and draperies.
- ◆ Children and adults should be alerted to the hazards of high surface temperature and should stay away to avoid burns or clothing ignition. Young children should be carefully supervised when they are in the same room as the Lennox Hearth Products gas fireplace. Clothing or any other flammable material should not be placed on or near the fireplace.
- ◆ Never use solid fuels such as wood, paper, cardboard, coal, or any flammable liquids, etc., in this appliance.
- ◆ Any grill, panel, or glass removed for service **MUST** be replaced prior to operating the fireplace. Do not operate appliance with the glass front removed, cracked or broken. Replacement of the glass should be done by a qualified service technician.
- ◆ **DO NOT USE** abrasive cleaner on the glass door assembly. **DO NOT ATTEMPT** to clean the glass door when it is hot.
- ◆ Gold and nickel plated surfaces must be cleaned with glass cleaner and a clean soft cloth before firing the first time or fingerprints will remain permanently. **NEVER** use brass polish to clean gold or nickel, this will remove the plating!!!
- ◆ Lennox Hearth Products, its employees, or any of its representatives assume no responsibility for any damages caused by an inoperable, inadequate, or unsafe condition as a result of any improper operation, service or installation procedures, whether direct or indirect.
- ◆ **INSTALLER: THESE INSTRUCTIONS ARE TO REMAIN WITH THE HOME OWNER!**

## CONGRATULATIONS!

When you purchased your new gas fireplace, you joined the ranks of thousands of individuals whose answer to their home heating needs reflects their concern for aesthetics, efficiency and our environment. We extend our continued support to help you achieve the maximum benefit and enjoyment available from your new gas fireplace.

Thank you for selecting a Lennox Hearth Products gas fireplace as the answer to your home heating needs.

## TABLE OF CONTENTS

Cautions and Safety .....	2
Orifice Size/Altitude Adjustment .....	4
Codes and Approvals .....	5
New York City, New York (MEA) .....	5
Commonwealth of Massachusetts Requirements .....	5
Pre-Installation .....	6-7
Features .....	6
Venting .....	6
Fuel .....	6
Packaging List .....	6
Specifications .....	6
Preparing your Fireplace for Installation .....	7
Clearances to Combustibles .....	7
Installation .....	8-13
Framing Dimensions .....	8
Fireplace Dimensions .....	9
Raised Installations .....	10
Hearth Extension Considerations .....	10
Facing Installation Considerations .....	11
Face Installation .....	13
Vent Installation .....	14-20
Application .....	14
Vent Parts List .....	15
Vent Considerations .....	16
Horizontal Vent Installation .....	17
Vertical Vent Installation .....	17
Flue Restrictors .....	18
Vertical Vent Termination Clearances .....	18
Horizontal Terminations .....	19
Vertical Terminations .....	19
Horizontal Vent Termination Clearances .....	20
Brick Panel and Log Set Installation .....	21
Electrical Connections .....	22
Gas Line Installation .....	23
Gas Pressure Requirements .....	23
LP and Natural Gas Supplies .....	23
Increasing Efficiency And Hot Air Movement .....	24
Forced Air Heating Installation .....	25-28
Operating Instructions .....	29-32
Pre-Lighting Checklist .....	29
Lighting Instructions .....	29
Flame Color and Behavior .....	30
Air Shutter Adjustment .....	31
Paint Curing .....	31
Quiet Operation .....	31
Blower Operation .....	31
Optional Wall Thermostat .....	31
Operating Options .....	32
Millivolt Control System .....	32
Maintenance and Servicing .....	33-34
Maintenance Checklist .....	33
Vent Pipe Maintenance .....	33
Opening and Removing Door .....	34
Glass/Door Maintenance .....	34
Blower Removal .....	34
Fuel Conversion .....	34
Troubleshooting .....	35
Replacement Parts .....	36
Accessories .....	36-37
Fireplace Labels .....	38-39
Product Reference Information .....	40

### USING THIS MANUAL

Please read and carefully follow all of the instructions found in this manual. Please pay special attention to the safety instructions provided in this manual.

**PRODUCT IS SUBJECT TO CHANGE WITHOUT NOTICE**

## ORIFICE SIZE/ALTITUDE ADJUSTMENT

For altitudes above 2,000 feet (In Canada 4,500 FT/1370 M), the orifice should be de-rated by 4% for every 1,000 feet to maintain the proper ratio of gas to air. Improper orifice sizing may result in damage and unsafe conditions. Changing the orifice should only be done by a qualified service technician. Contact your Lennox Hearth Products dealer for proper orifice sizes.

## SMOKE DETECTORS

Since there are always several potential sources of fire in any home, we recommend installing smoke detectors. If possible, install the smoke detector in a hallway adjacent to the room (to reduce the possibility of occasional false activation from the heat produced by the appliance). If your local code requires a smoke detector be installed within the same room, you must follow the requirements of your local code. Check with your local building department for requirements in your area.

## THE RAVELLE™ 42 FIREPLACE

- Must conform with all local, state and national installation codes. In the absence of local codes, the installation must conform with National Fuel Gas Code ANSI Z223.1 - latest edition, also known as NFPA 54 (In Canada, the current CAN/CSA B149.1 installation code). Refer to the National Fuel Gas Code and local zoning and code authorities for details on installation requirements.
- Mobile home installations must conform with the Mobile Home Construction and Safety Standard, Title 24 CFR, Part 3280 (in Canada CAN/CSA Z240 MH), or, when such a standard is not applicable, the Standard for Mobile Home Installations, ANSI A225.1 - latest edition.
- Must be vented directly to the outside in accordance with the latest edition of the National Fuel Gas Code and must never be attached to a chimney serving a separate solid fuel burning appliance.
- Has been certified for use with either natural gas or propane.
- Is not for use with solid fuels.
- Is approved for sitting rooms and/or bedrooms.

## CODES AND APPROVALS

### Certification

Gas appliances must be tested and certified by a nationally recognized testing and certification laboratory to ANSI (American National Standard Institute) gas appliance safety standards.

This fireplace has been tested and certified by OMNI -Test Laboratories to ANSI Z21.88/CSA 2.33 Standard for Vented Gas Fireplace Heater and CGA 2.17-M91 and UL 307B Gas Burning Heating Appliances for Manufactured (Mobile) Homes in both USA and Canada.

It has met all necessary ANSI Standards and is fully certified for installation in any community. If there are any questions or if you need further substantiation either write to or call your Lennox Hearth Products dealer. If you have further questions, please contact Lennox Hearth Products.

Check all local building and safety codes before installation. The installation instructions and appropriate code requirements must be followed exactly and without compromise. In the absence of local codes the following standards and codes must be followed.

## NEW YORK CITY, NEW YORK (MEA)

### (NYC MEA Approval #138-07-E)

Installation of these fireplaces are approved for installation in New York City in the US state of New York.

## COMMONWEALTH OF MASSACHUSETTS REQUIREMENTS

### (Massachusetts Approval #G3-1104-102)

These fireplaces are approved for installation in the US state of Massachusetts if the following additional requirements are met:

- Install this appliance in accordance with Massachusetts Rules and Regulations 248 C.M.R. Sec. 5.08 2(a) through 2(e).
- Installation and repair must be done by a plumber or gas fitter licensed in the Commonwealth of Massachusetts.
- The flexible gas line connector used shall not exceed 36 inches (92 centimeters) in length.
- The individual manual shut-off must be a T-handle type valve.

### Massachusetts Horizontal Vent Requirements

In the Commonwealth of Massachusetts, horizontal terminations installed less than seven (7) feet above the finished grade must comply with the following additional requirements:

- A hard wired carbon monoxide detector with an alarm and battery back-up must be installed on the floor level where the gas fireplace is installed. The carbon monoxide detector must comply with NFPA 720, be ANSI/UL 2034 listed and be ISA certified.
- A metal or plastic identification plate must be permanently mounted to the exterior of the building at a minimum height of eight (8) feet above grade and be directly in line with the horizontal termination. The sign must read, in print size no less than one-half (1/2) inch in size, **GAS VENT DIRECTLY BELOW. KEEP CLEAR OF ALL OBSTRUCTIONS.**

## PRE-INSTALLATION

### Features

### Installation Options

Residential  
 Vented vertical and horizontal  
 Manufactured (mobile) home  
 Natural gas (NG) or propane (LP)  
 Bedrooms  
 Optional wall-mounted or remote thermostat  
 Ductable for greater heat distribution

### Venting

This fireplace can be vented with Security™ Secure Vent™ pipe\*. Coaxial pipe diameters are 6-5/8" outer and 4" inner. The combustion air for this fireplace is drawn from outside the house through the outer DV (direct vent) pipe. Room air is not required for combustion.

When planning your installation, select the correct length of vent pipe for your particular requirements. Determine the minimum clearance to combustibles from the rear of the unit to the wall. It is also important to note the thickness of the wall. Before cutting the vent hole through the wall make sure that ALL vent and termination clearances (see **Pages 18-20**) will be met.

### Electrical

The standard fan motor requires 120 Volts AC for operation. The fireplace is not dependent on the fan or an outside electrical supply to operate.

### Millivolt Valve

This fireplace is operated with a millivolt valve and therefore burns even during a power outage.

### Fuel

This fireplace comes from the factory equipped to burn natural gas at a specified elevation. The fireplace can be converted to burn LP gas (liquid propane) by changing the cassette (valve and pilot assembly) or installing a conversion kit. Only Lennox Hearth Products conversion kits can be used to convert from NG to LP or LP to NG. Contact your Lennox Hearth Products dealer for details.

### Specifications

Fireplace weight: 250 lbs  
 Pipe: Type - direct-vent  
 Recommended manufacturer\*  
 Security™ Secure Vent™\*  
 Diameter - 6-5/8"x 4" for vertical terminations  
 Diameter - 8"x 5" for horizontal terminations

### Packaging List

The **Ravelle™ 42** gas fireplace comes with the following parts:  
 1 Fireplace Body with Burner Cassette  
 1 Log Set  
 1 Bag of Ember Material  
 1 Installation and Operation Manual

### Decorative Faces - One Required

Arch Inset  
 Classic Inset  
 Screen  
 Foundry™

### Brick Liners - One Required


Standard Brick  
 Red Brick  
 Architectural Stone

### Ductability (optional)

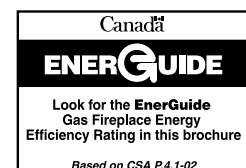
Forced Air Duct Kit  
 Whole Home Comfort System

**Note: See Pages 36 and 37 for ordering information.**

\* Other approved chimney brand is Simpson Dura-Vent DV-GS.

RATINGS	Model Ravelle 42	
	NATURAL GAS	LP GAS
Max/Min Input BTUh 0-2,000 Feet (0-610 M) ❶	42,000 / 29,500	36,000 / 25,000
Manifold Pressure (IN. WC)	3.5 / 1.7	10 / 5.1
Min. Inlet Pressure (IN. WC)	5	11
Maximum heat output BTUs/hour-steady state	34,860	29,880
P4 Efficiency 	50.43%	53.47%
Orifice (DMS) 0-2,000 Feet (0-610 M) ❶	#30	#49

- ❶ Unit factory equipped for 0-2000 FT/0-610 M, In Canada 0-4500 FT/0-1370 M  
 ❷ The Steady State Efficiency numbers based on maximum vent configuration.  
 ❸ Tested to CSA P.4.1-02 "Testing Method for Measuring Annual Fireplace Efficiency."  
 Electrical Rating: 120 VAC, 60 HZ, Less Than 2 Amps



## Preparing Your Ravelle™ 42 Fireplace For Installation

Read all instructions before beginning your installation. If instructions have not been read carefully, your installation could void your warranty and may create a serious fire, health, or other safety hazard.

The Lennox Hearth Products warranty will be voided if one of the following occurs:

- Installation of any damaged fireplace or vent system component.
- Unauthorized modification of the direct vent system.
- Installation other than as instructed by Lennox Hearth Products, Security™, or Simpson Dura-Vent.
- Installation of any fireplace or vent system component not manufactured or approved by Lennox Hearth Products, Security™ or Simpson Dura-Vent.

When planning the installation for your Ravelle 42 gas fireplace, it's necessary to consider the following:

- Where the unit is to be installed
- The vent system configuration to be used
- Gas supply (NG or LP)
- Electrical wiring
- Framing and finishing
- Optional accessories

## Clearances to Combustibles

**Minimum clearances include any projections such as shelves, window sills, mantels, spacers/standoffs or surfaces to combustible construction etc. above the appliance. Paint or lacquer used to finish the mantel must be heat resistant in order to avoid discoloration.**

### Minimum clearances to combustible materials in inches:

Front corners to enclosure (from stand-offs)	0 (0mm)
Rear corners to enclosure (from stand-offs)	0 (0mm)
Top to header (from stand-offs)	0 (0mm)
Bottom of unit to floor	0 (0mm)
Edge of door glass to side wall and side trim	7-1/2 (191mm)
Back to enclosure (from stand-offs)	0 (0mm)

**Mantel:** The drawing at the lower right shows the minimum distances from the base of the fireplace to combustible mantel and facing material. Combustible materials may be placed above and within the shaded areas. If your fireplace has an arched face, the combustible mantel facing material may curve with the arch of the face as long as a minimum distance of 10" is maintained between the top of the face and the combustible facing material.

**Hearth Protection:** Hearth protection in front of the Ravelle™ 42 gas fireplace is not required. However, hearth protection is recommended and will enhance the appearance of the fireplace.

**Pipe Clearances:** All installations using a vertical termination cap must maintain 1" (25mm) clearance between the direct vent pipe and combustibles. For horizontal terminations, when the top of the horizontal run of pipe is less than 8 feet (2.4 M) above the base of the fireplace, 1" (25mm) clearance on the sides and bottom and 5" (127 mm) on the top of the pipe is required. For those horizontal runs at or above 8 feet, 1" (25 mm) is required on the sides and bottom and 2" (51 mm) on the top of the pipe. See **Page 19** for allowable pipe configurations.

## Dimensions

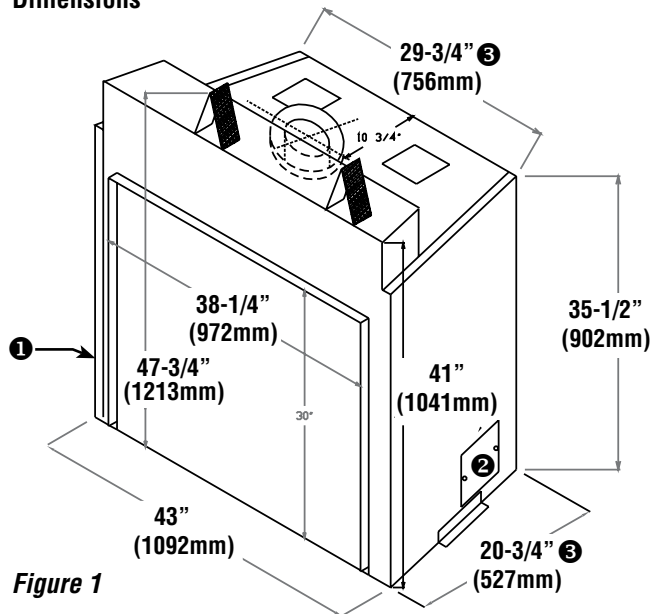
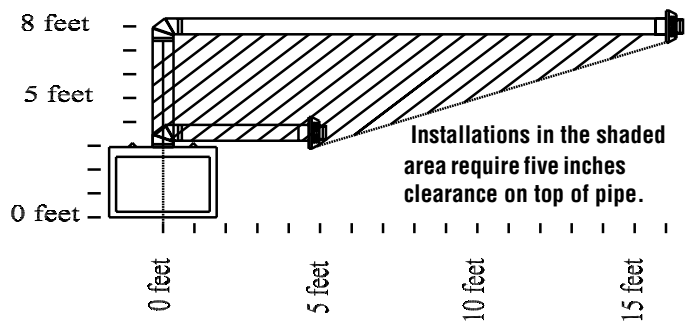


Figure 1

- 1 The center of the access hole for the gas piping is located at the left side of the fireplace 6-7/8" back from the front edge and 2-1/8" up from the base of the unit.
- 2 The electrical access is located at the right lower rear of the fireplace.
- 3 These dimensions include the 3/4" stand-offs.



### Mantel and Facing Material (side view)

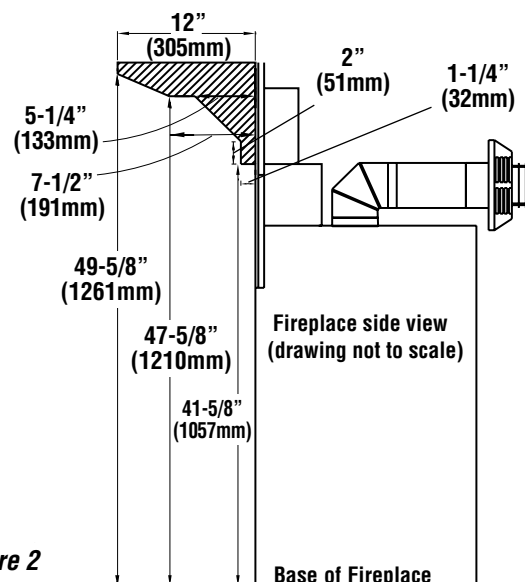


Figure 2

NOTE: DIAGRAMS & ILLUSTRATIONS ARE NOT TO SCALE.

## INSTALLATION

### Framing Dimensions

The dimensions given on this page are minimum framing distances necessary to maintain safe clearances between the Ravelle™ 42 gas fireplace and combustible materials.

- 1 If the unit is to be vented horizontally with a 90° elbow right off the top of the fireplace and directly through an exterior wall, then a hole 10-3/4" (273 mm) square with a center line 42-1/4" (1073 mm) above the base of the fireplace will accommodate the wall thimble and direct vent pipe.
- 2 The gas line should be routed to the left side of the unit. The access hole in the fireplace for the gas line is 6-7/8" (175 mm) back from the front edge and 2-1/8" (54 mm) up from the base of the unit. If the gas line enters the unit from the right side the piping will need to be disconnected to remove the fan.  
If a wall-mounted on/off switch or thermostat is to be used, these wires should be routed to the left front of the unit for access to the fireplace. The wire should be fed through the gas line hole, along the gas line, to the valve.
- 3 The electrical power supply wiring should be routed to the right rear of the unit.

**Note:** The fireplace may be placed directly on wood or non-combustible flooring, but not on vinyl floor covering or carpet.

**Framing Suggestions:** The framing header above the front of the fireplace should be as narrow front to back as allowable to give maximum clearance to the direct vent pipe (i.e. don't use a 6" (152 mm) thick header when a 4" (102 mm) thick one is allowed).

A 6" (152 mm) header may need to be notched to accommodate vertical vent pipe. If the fireplace is going to be horizontally vented directly out the back, do not place a stud in line with the wall thimble. If a hearth extension greater than 1" (25 mm) thick is going to be used, the fireplace and the header must be raised accordingly. See **Hearth Extension Considerations** for further details.

**Insulation:** The exterior walls adjacent to the fireplace should be insulated like the rest of the house, but insulation should not be placed around the fireplace or vent pipe.

**Corner Installations:** The dimensions on this page are minimum and show the stand-offs on the rear corners of the fireplace up against the corner walls.

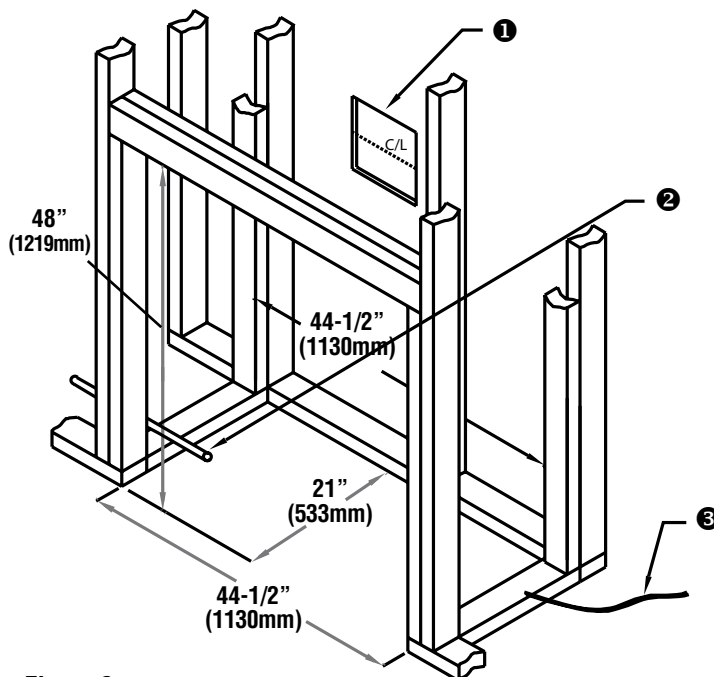


Figure 3



# Fireplace Dimensions

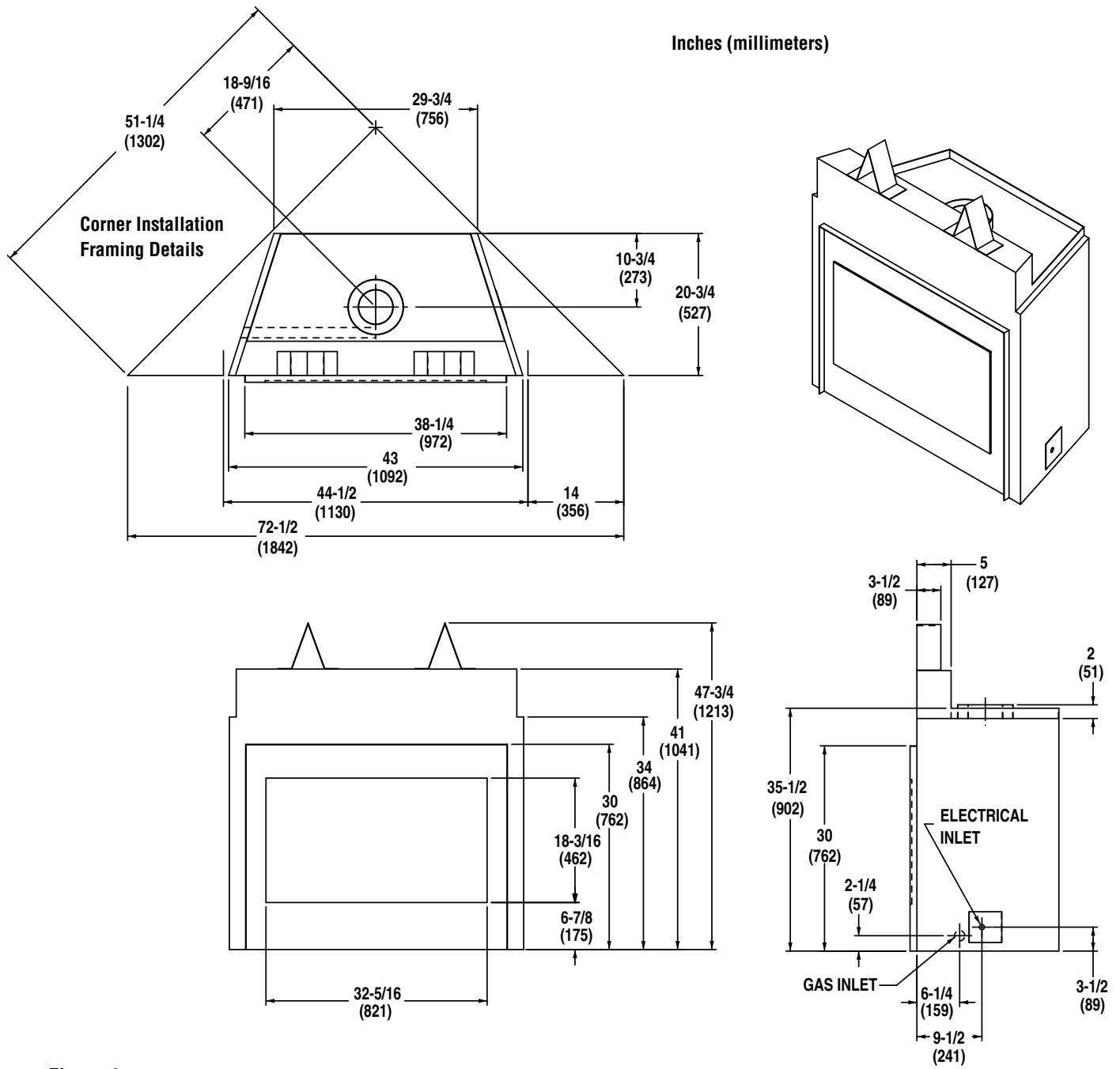


Figure 4

NOTE: DIAGRAMS & ILLUSTRATIONS ARE NOT TO SCALE.

## Raised Installations

The fireplace may be raised by building a platform of sufficient strength to support the fireplace and pipe. When building a raised hearth extension, please see the note below regarding height of the fireplace in relation to the thickness of the hearth extension material.

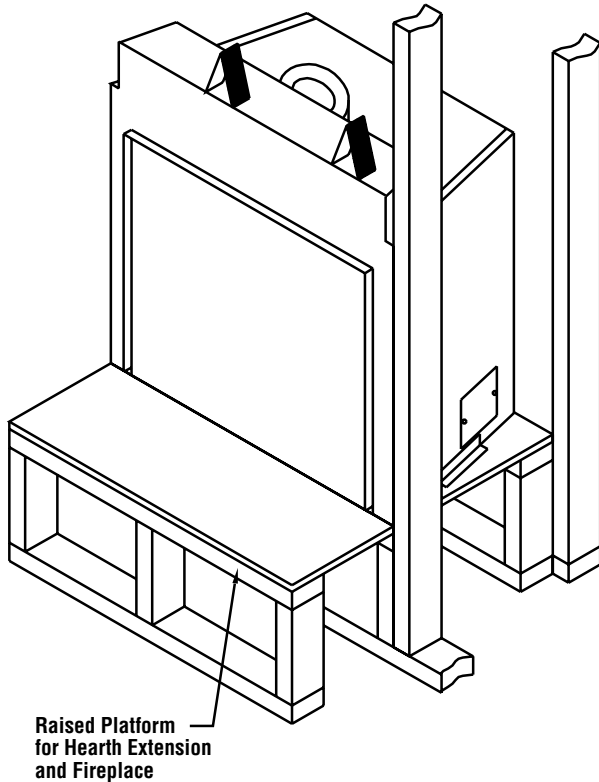


Figure 5

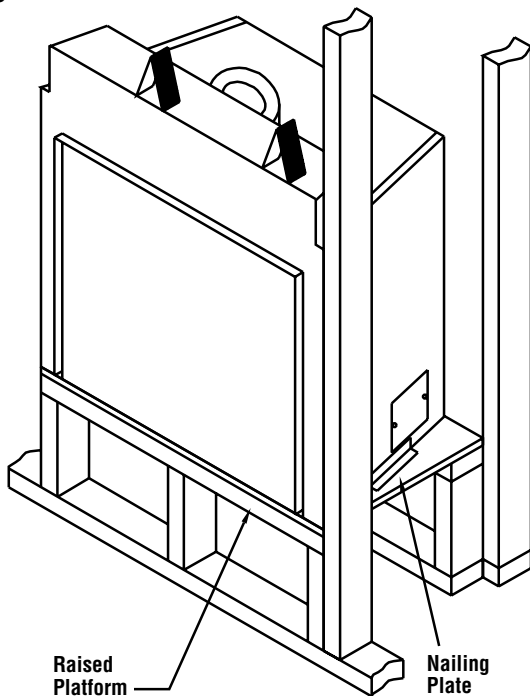


Figure 6

## Hearth Extension Considerations

A hearth extension in front of the fireplace is not required; however, to enhance the appearance of the Ravelle™ 42 gas fireplace, one is recommended. **Note: There is a 1" (25 mm) space between the base of the fireplace and the bottom of the decorative fireplace face.** This space will allow a 7/8" (22 mm) thick hearth extension (including backer board if desired). Should a hearth extension thicker than 7/8" (22 mm) be desired, the height of the fireplace must be raised the thickness of that hearth extension less the 7/8" (22 mm). For example, if a 2-7/8" (73 mm) thick cultured stone is to be placed on the floor to serve as the hearth extension, then the fireplace must be raised 2" (51 mm) (possibly using 1/2" (13 mm) plywood over 2 x 4's laid flat) to accommodate the 2-7/8" (73 mm) stone. It is important to note that if the fireplace is raised then it is necessary to raise the height of the header above the stand-offs an equal amount. If you wish to install your fireplace without a hearth extension you must remember to set your finished flooring height 1" (25 mm) higher than the bottom base of the fireplace or install the fireplace 1" (25mm) lower than the finished flooring materials for that room. This will assure that no gap will exist between the room's flooring and your new fireplace decorative face after it is installed.

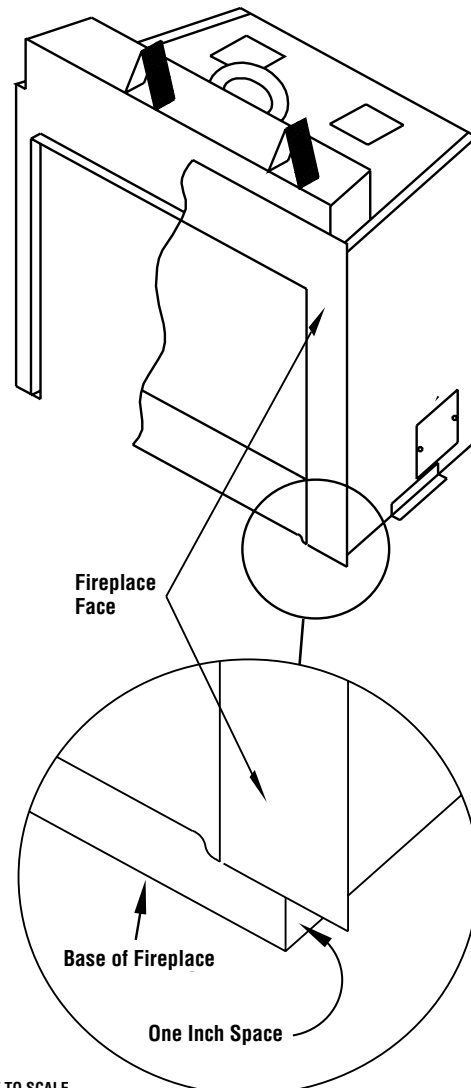


Figure 7

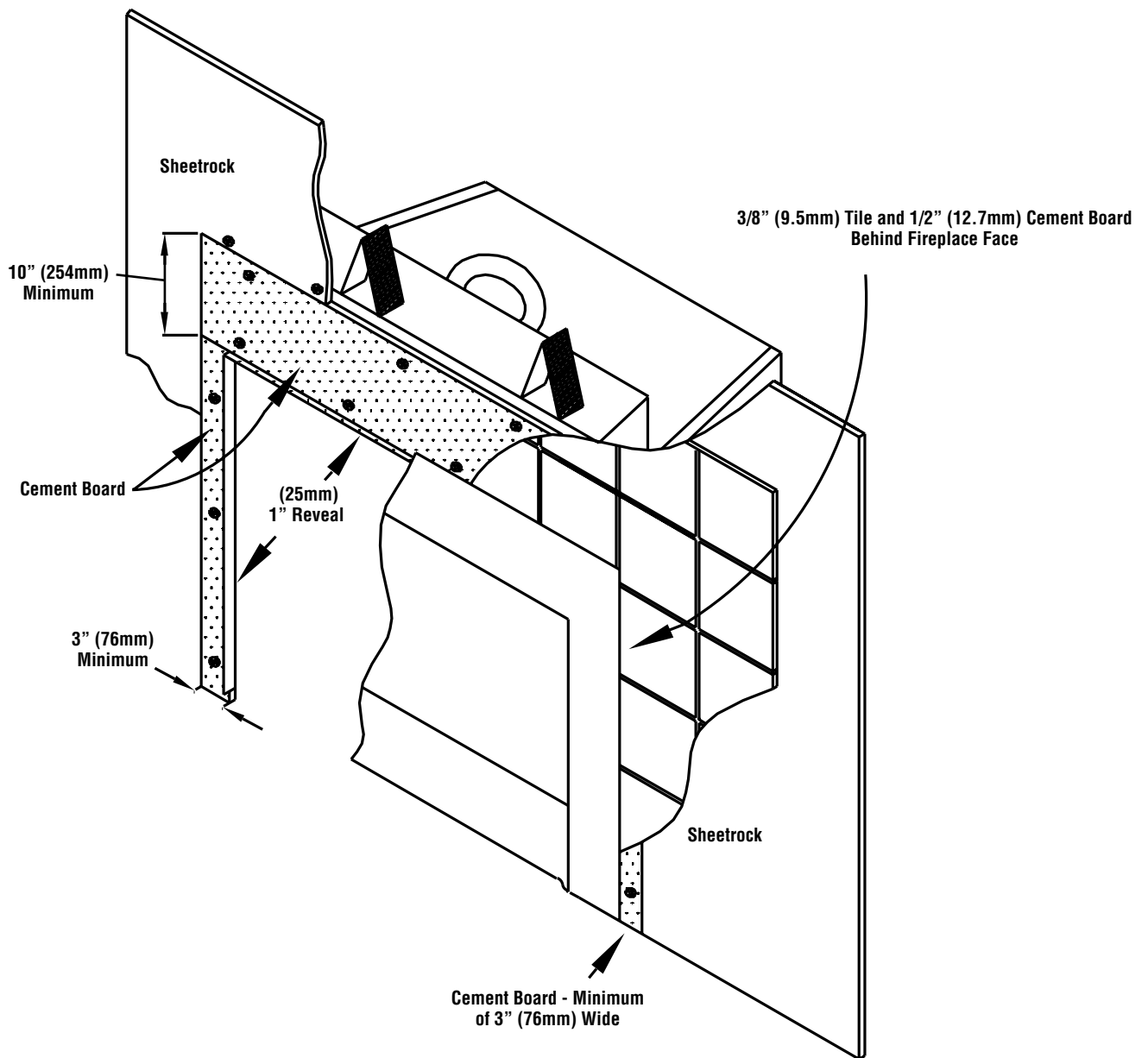
NOTE: DIAGRAMS & ILLUSTRATIONS ARE NOT TO SCALE.

## Facing Installation Considerations

Non-combustible cement board (such as Wonderboard, Durock, or Hardybacker) must extend 10" (254 mm) above the 1" (25 mm) top reveal and a minimum of 3" (76 mm) from each side reveal (see **Figure 8**). This cement board may be 1/4" (6.3 mm) thick or greater, but would normally be the thickness of the drywall - for example 1/2" (13 mm). The cement board may be fastened by drywall screws.

The screws should be driven through the cement board into the outer metal skin of the fireplace. The sheetrock (drywall) is then butted up to the cement board. The sheetrock above the fireplace should also be fastened to the fireplace by driving screws into the outer metal skin of the fireplace.

**Facing Less Than 1" Thick:** If the combined thickness of the facing material (eg. 3/8" [9.5 mm] thick ceramic tile and 1/2" [13 mm] thick cement board) is less than 1" (25mm), then the tile can be placed behind the fireplace face (see below).



**Figure 8**

NOTE: DIAGRAMS & ILLUSTRATIONS ARE NOT TO SCALE.

## Facing Greater Than 1" (25mm) Thick:

If the combined thickness of the facing material (eg. brick or cultured stone) and concrete board is greater than 1", then the facing material must be placed around the face. A template (Arch #75098, Foundry™ #75035 and Classic [Louver] #75101) should be used while installing the facing material. Templates for the various faces may be purchased from your Lennox Hearth Products dealer or a template may be made of plywood using the dimensions listed on this page. If you choose to make a template, 1/8" (3mm) must be added to each side and top dimension to provide sufficient clearance so the face may be removed for access to the firebox. Since the bottom of the fireplace face is 1" above the base of the fireplace, 1" (25mm) must be added to the height of the template if the template is to rest on the floor or platform on which the fireplace is placed. It is extremely IMPORTANT that the template be centered left to right on the glass door of the fireplace.

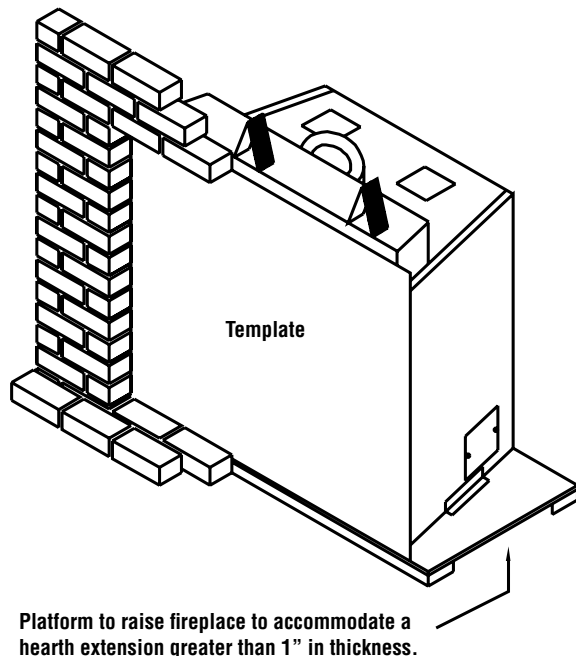


Figure 9

The fireplace face dimensions are:

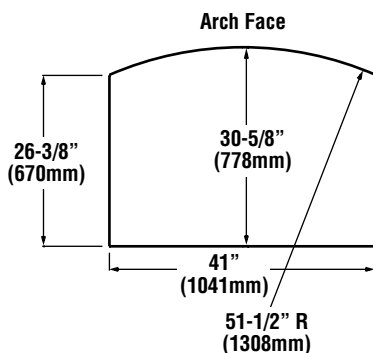


Figure 10

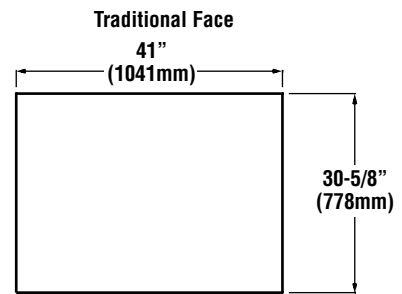


Figure 12

## Adjustment prior to arched face installation:

The corners of the 1" (25mm) reveal around the fireplace opening need to be adjusted prior to installing an arched face (see **Figures 13 and 14**). Remove screws A and loosen screw B. Rotate the corner downward bending the metal at pivot point C until the holes from which screws A were removed line up with the lower set of holes. Reinstall screws A and tighten screw B. When finished, the corners should look like the corner shown in **Figure 15**.

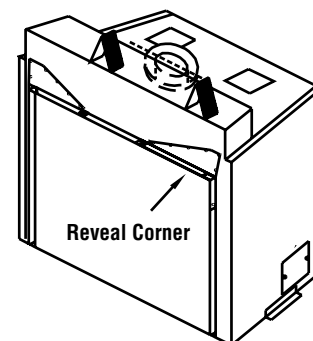


Figure 13

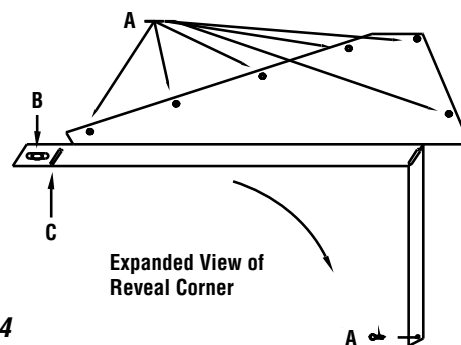


Figure 14

Reveal Corner Adjusted for Arch Face

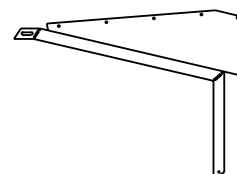


Figure 15

NOTE: DIAGRAMS & ILLUSTRATIONS ARE NOT TO SCALE.

## Face Installation

A number of different faces are available for the Ravelle™ 42 gas fireplace, however, all the faces are installed in a similar manner. A total of four screws (two upper and two lower) attach the face to the fireplace. To install a face:

1. Locate the two screws found in the hardware bag shipped with the face. Position the face (with the lower door open) in front of the fireplace. Install the two screws, A in the diagram below, through the holes in the lower door hinge bracket and screw them into the captive nut on tab B located on the fireplace. Do not fully tighten these screws yet.

2. Bracket C in the diagram below is installed on the face during the face assembly (see instructions included with face). The captive screws D on this bracket should be screwed into captive nuts E on the fireplace. A phillips head screwdriver inserted through the vent holes in the face can be used to complete this task. Align the face for plumb and level and then tighten all four screws.

**CAUTION:** Any masonry that has been cleaned with an acid wash must be properly neutralized before installing the fireplace face. The acid wash will tarnish the face. Consult your masonry installer.

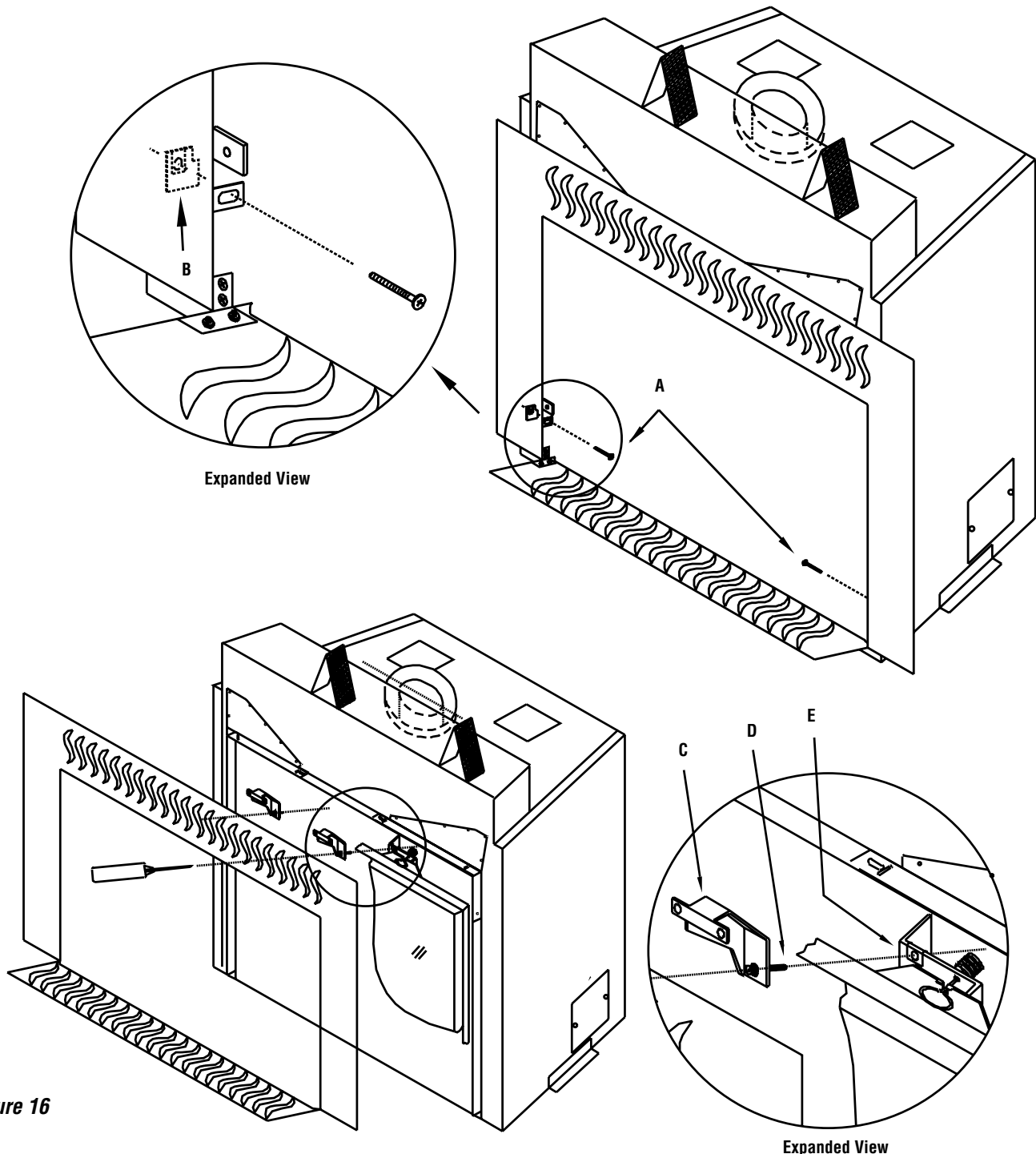


Figure 16

NOTE: DIAGRAMS & ILLUSTRATIONS ARE NOT TO SCALE.

## VENT INSTALLATION

### Application:

The Ravelle™ 42 gas fireplace, has been tested and listed as a direct vent heater system by OMNI-Test Laboratories, Portland, Oregon. and is recommended for use with Security™ Secure Vent™ pipe.

### IMPORTANT:

- Read all instructions carefully before starting the installation. Failure to follow these instructions may create a fire or other safety hazard and will void the warranty. Be sure to check for specific clearances to combustible requirements on **Page 7**. **Do not extend the venting system vertically or horizontally in excess of the distance prescribed on Page 19.** Consult your local building codes before beginning the installation.
- **Always maintain the proper air spaces (see Page 7) between the vent pipe and nearby combustibles to prevent a fire hazard. Do not fill air spaces with insulation.** Be sure to check the vent termination clearance requirements from decks, windows, soffits, gas regulators, air supply inlets and public walkways, as specified in these installation instructions on **Page 20** and local building codes.
- **This gas appliance and vent system must be vented directly to the outside of the building and never be attached to a chimney serving a separate solid fuel or gas-burning appliance.** Each direct vent gas appliance must use its own separate vent system. Common vent systems are prohibited.
- The Ravelle 42 gas fireplace is recommended for use with Security Secure Vent pipe. The appliances and vent manufacturers warranties will be voided and serious fire, health, or other safety hazards may result from any of the following actions:
  - Installation of any damaged direct vent component.
  - Unauthorized modification of the direct vent system.
  - Installation of any vent component part not approved or manufactured by the approved vent manufacturer.
  - Installation other than as instructed by Lennox Hearth Products and vent manufacturers instructions.

### Vent Parts List

Direct vent pipe Security™ Secure Vent™\* may be used with the Ravelle 42 gas fireplace. Please see the lists below to verify the components available from each direct vent pipe manufacturer. Snorkel terminations are available for applications which may require vertical rise on the building exterior. The components listed below come in a galvanized finish. Most of the components are also available in a painted black finish. Add a "B" to the end of the part number when ordering if a black part is desired.

#### Security™ Secure Vent 6-5/8" x 4" Pipe

<u>Part Number</u>	<u>Description</u>
SV4L6	6" Pipe Length
SV4L12	12" Pipe Length
SV4L24	24" Pipe Length
SV4L36	36" Pipe Length
SV4L48	48" Pipe Length
SV4LA	6" Pipe, Adjustable
SV4LA12	12" Pipe, Adjustable
SV4FA	Flashing, 1/12 to 176/12 Roof Pitch
SV4FB	Flashing, 8/12 to 12/12 Roof Pitch
SV4RSM	Wall Radiation Shield
SV4E46	45° Elbow
SV4E90	90° Elbow
SV4VS	Vinyl Shield Protector
SV4FC	Storm Collar
SV4CGV	Vertical Termination Cap
SV4BF	Firestop
SV4CHC	Horizontal Termination Cap
SV4STC36	Snorkel Termination (36") Cap
SV4STC14	Snorkel Termination (14") Cap
SV4BM	Wall Band

#### Simpson DuraVent 6-5/8" x 4" GS Pipe

<u>Part Number</u>	<u>Description</u>
908	6" Pipe Length
907	9" Pipe Length
906	12" Pipe Length
904	24" Pipe Length
903	36" Pipe Length
902	48" Pipe Length
911	11" to 14-5/8" Pipe, Adjustable
912	12" to 17" Pipe, Adjustable
917	17" to 24" Pipe, Adjustable
942	Wall Thimble
943	Flashing, 0/12 to 6/12 Roof Pitch
943S	Flashing, 7/12 to 12/12 Roof Pitch
945	45° Elbow
950	Vinyl Siding Standoff
953	Storm Collar
963	Ceiling Firestop
980	Vertical Termination
981	Snorkel Termination (36")
982	Snorkel Termination (14")
984	Horizontal Square Termination (High Wind)
988	Wall Strap
991	Vertical Termination (High Wind)

## Vent Parts List - Horizontal

Direct vent pipe by Security™ or Simpson Dura-Vent may be used with the Ravelle™ 42 gas fireplace. Please see the lists below to verify the components available from each direct vent pipe manufacturer. All horizontally terminated venting of the Ravelle 42 gas fireplace uses 8" x 5" size vent pipe and all vertically terminated venting uses 6-5/8" x 4" size vent pipe. The flue collar on the fireplace is 8" x 5" in size. Therefore, when vertically terminating it is necessary to use a reducer - part number 75247 (available from Lennox Hearth Products) - to make the transition from the 8" x 5" flue collar to the 6-5/8" x 4" pipe. Snorkel terminations are available for applications which may require vertical rise on the building exterior. The components listed below come in a galvanized finish. Most of the components are also available in a painted black finish. Add a "B" to the end of the part number when ordering if a black part is desired.

### Security™ Secure Vent™ 8"x 5" Pipe

<u>Part Number</u>	<u>Description</u>
SV5L6	6" Pipe Length
SV5L12	12" Pipe Length
SV5L24	24" Pipe Length
SV5L36	36" Pipe Length
SV5L48	48" Pipe Length
SV5LA	6" Pipe, Adjustable
SV5LA12	12" Pipe, Adjustable
SV5E45	45° Elbow
SV5E90	90° Elbow
SV5RSM	Wall Radiation Shield
SV5VS	Vinyl Shield Protector
SV5BF	Firestop
SV5CHC-1	Horizontal Termination Cap
SV5STC14	Snorkel Termination (14") Cap
SV5STC36	Snorkel Termination (36") Cap
SV5BM	Wall Band

### Simpson Dura-Vent GS 8"x 5" Pipe

<u>Part Number</u>	<u>Description</u>
1208	6" Pipe Length
1207	9" Pipe Length
1206	12" Pipe Length
1204	24" Pipe Length
1203	36" Pipe Length
1202	8" Pipe Length
1211	11" to 14-5/8" Pipe, Adjustable
1217	17" to 24" Pipe, Adjustable
1290	90° Elbow
1247	Wall Thimble
1263	Ceiling Firestop
1288	Wall Strap
1281	Snorkel Termination (36")
1282	Snorkel Termination (14")
1284	Horizontal Termination Cap
1285	Horizontal Termination Cap (High Wind)
1250	Vinyl Siding Standoff

## Vent Parts List - Vertical

Direct vent pipe by Security or Simpson Dura-Vent may be used with the Ravelle 42 gas fireplace. Please see the lists below to verify the components available from each direct vent pipe manufacturer. All horizontally terminated venting of the Ravelle 42 gas fireplace uses 8" x 5" size vent pipe and all vertically terminated venting uses 6-5/8" x 4" size vent pipe. The flue collar on the fireplace is 8" x 5" in size. Therefore, when vertically terminating it is necessary to use a reducer - part number 75247 (available from Lennox Hearth Products) - to make the transition from the 8" x 5" flue collar to the 6-5/8" x 4" pipe. Snorkel terminations are available for applications which may require vertical rise on the building exterior. The components listed below come in a galvanized finish. Most of the components are also available in a painted black finish. Add a "B" to the end of the part number when ordering if a black part is desired.

### Security Secure Vent 6-5/8"x 4" Pipe

<u>Part Number</u>	<u>Description</u>
SV4L6	6" Pipe Length
SV4L12	12" Pipe Length
SV4L24	24" Pipe Length
SV4L36	36" Pipe Length
SV4L48	48" Pipe Length
SV4LA	6" Pipe, Adjustable
SV4LA12	12" Pipe, Adjustable
SV4FA	Flashing, 1/12 to 176/12 Roof Pitch
SV4FB	Flashing, 8/12 to 12/12 Roof Pitch
SV4RSM	Wall Radiation Shield
SV4E46	45° Elbow
SV4E90	90° Elbow
SV4VS	Vinyl Shield Protector
SV4FC	Storm Collar
SV4CGV	Vertical Termination Cap
SV4BF	Firestop
SV4BM	Wall Band

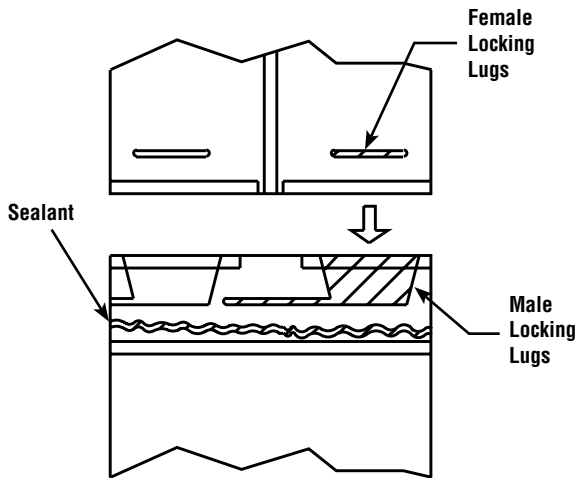
**Part Available from Lennox Hearth Products Only:**  
75247 8" x 5" to 6-5/8" x 4" Reducer

### Simpson Dura-Vent GS 6-5/8" x 4" Pipe

<u>Part Number</u>	<u>Description</u>
908	6" Pipe Length
907	9" Pipe Length
906	12" Pipe Length
904	24" Pipe Length
903	36" Pipe Length
902	48" Pipe Length
911	11" to 14-5/8" Pipe, Adjustable
912	12" to 17" Pipe, Adjustable
917	17" to 24" Pipe, Adjustable
942	Wall Thimble
945	45° Elbow
943	Flashing, 0/12 to 6/12 Roof Pitch
943S	Flashing, 7/12 to 12/12 Roof Pitch
953	Storm Collar
963	Ceiling Firestop
988	Wall Strap
980	Vertical Termination Cap
991	Vertical Termination Cap (High Wind)

## Vent Considerations

**Twist-lock procedure:** Four indentations, located on the female ends of pipes and fittings, are designed to slide straight onto the male ends of adjacent pipes and fittings by orienting the four pipe indentations so they match and slide into the four entry slots on the male ends (see **Figure 17**). Push the pipe sections completely together, then twist-lock one section clockwise approximately one-quarter turn until the two sections are fully locked. The female locking lugs will not be visible from the outside on the pipe or fittings. They may be located by examining the inside of the female ends.



**Figure 17**

**Supports:** Horizontal runs of vent must be supported every three feet. Wall straps are available for this purpose.

**Pipe Sealing:** If Security™ Secure Vent™ pipe is used, then sealant is required at only the first pipe joint attaching the pipe to the flue collar on the fireplace. If Simpson Dura-Vent GS pipe is used, then the pipe must be sealed as follows: seal both the inner and outer pipes with a high temperature silicone sealant rated for at least 600° F (commonly known as “RTV”). Run a 1/8” (3mm) bead of silicone around the outside of the male end of the outer sleeve. Run a 1/8” (3mm) bead of silicone about 1/4” (6mm) from the end of the male inner pipe, which is found in the pipe to be attached above. Twist-lock the pipes or fittings together.



## Horizontal Vent Installation

### IMPORTANT NOTES:

1. All Ravelle™ 42 gas fireplaces horizontally terminated vent installations use 8" x 5" Security™ Secure Vent™ or Simpson Dura-Vent GS direct-vent pipe.
2. When this pipe passes through a wall, a wall thimble - Security #SV5RSM or Simpson #1247 is required. The hole in the wall for the wall thimble should be 10-3/4" x 10-3/4".
3. Horizontal runs of vent must be supported every three feet. Wall straps - Security #SV5BM or Simpson #1288 are available for this purpose.
4. If the vent passes through a ceiling or floor, a firestop - Security #SV5BF or Simpson #1263 is required.
5. Venting terminals shall not be recessed into a wall or siding. If installing the termination cap on a wall covered with siding, a vinyl siding standoff - Security #SV5VS or Simpson #1250 or furring strips must be used to ensure that the termination cap is not recessed into the siding.
6. The horizontal run of vent must have a 1/4" (6mm) rise for every 12" (305mm) of run towards the termination.
7. If the wall being penetrated is constructed of non-combustible material, such as masonry block or concrete, an 8-1/2" (216mm) diameter hole is acceptable and a wall thimble is not required.
8. The location of the horizontal vent termination on an exterior wall must meet all local and national building codes and must not be blocked or obstructed. For allowable external vent terminations locations, see the diagram on **Page 20**.
9. Allowable clearances from the vent pipe to combustible materials must be maintained. See **Page 7** for these clearances.
10. Do not locate the termination cap where it may be blocked by shrubbery or snow.

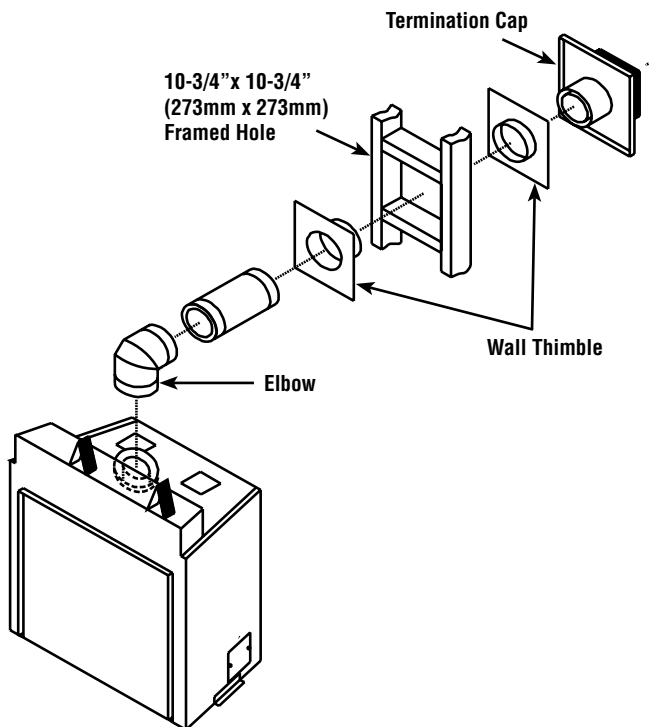


Figure 18

## Vertical Vent Installation

### IMPORTANT NOTES:

1. All Ravelle 42 gas fireplace vertically terminated vent installations use 6-5/8" x 4" Security or Simpson Dura-Vent GS direct-vent pipe.
2. Fireplaces that are vertically terminated require pipe reducer - Lennox Hearth Products #75247 - installed on the fireplace's flue collar before the direct vent pipe can be installed.
3. If the vent passes through a ceiling or floor, a firestop - Security #SV4BF or Simpson #963,
4. If the vent passes through the roof, a roof flashing - Security #SV4FA or SV4FB, Simpson #943 or 943S and storm collar - Security #SV4FC, Simpson #953 are required.
5. Allowable clearances from the vent pipe to combustible materials must be maintained. See **Page 7** for these clearances.
6. A maximum of two 45° elbows may be used. See **Page 18** for allowable offsets.
7. The maximum system height is 30 feet (9.1 M) and the minimum is 10 feet (3 M).

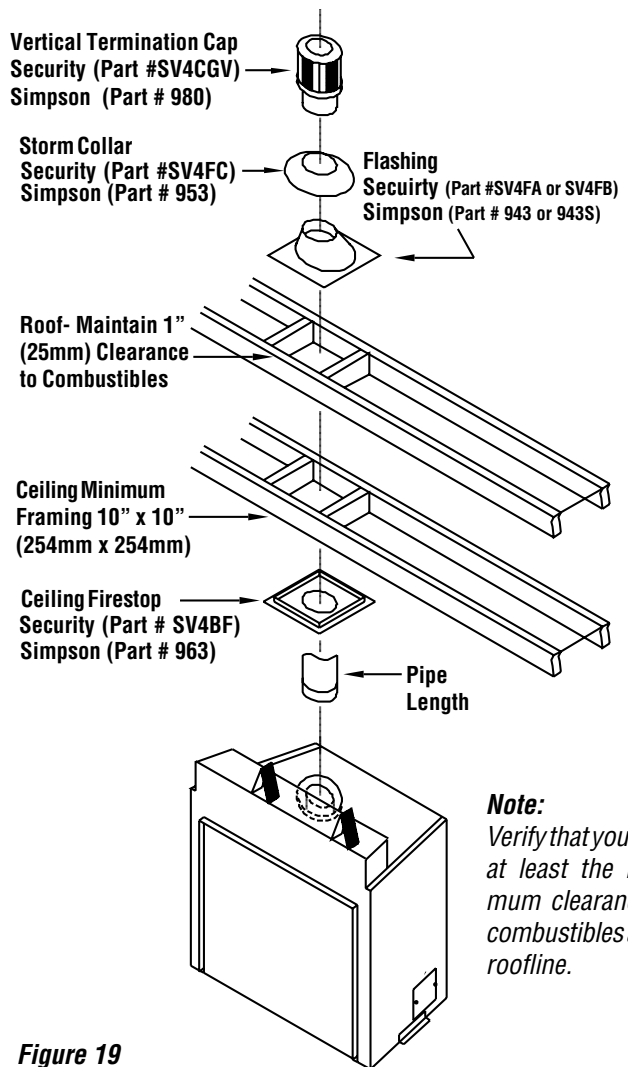


Figure 19

NOTE: DIAGRAMS & ILLUSTRATIONS ARE NOT TO SCALE.

## Flue Restrictors

The flue restrictor settings shown in *Figures 22 and 23* are for typical installations and may need to be adjusted from standard to take into account other variables in the installation to achieve proper combustion. See *Flue Restrictor Guidelines* on this page to assist you in making a proper flue restrictor adjustment.

The Ravelle™ 42 gas fireplace uses balanced flue technology to ensure proper combustion. Flue restrictors may need to be installed depending on the vent configuration of your fireplace. The drawings on *Page 19* show all the allowable pipe configurations for the Ravelle 42 gas fireplace. To properly install the flue restrictor, find your pipe configuration in the drawings on *Page 19* and note which restrictor setting is recommended. The flue restrictors and four black self-tapping 5/32" allen head screws can be found in the firebox in a plastic bag. The restrictors should be placed over the openings at both sides of the ceiling of the firebox. For each restrictor, two self-tapping 5/32" allen head screws should be installed in either holes 1, 2, 3, or 4 in the restrictor and screwed into the two holes in the firebox ceiling. (There are four holes at each side of the firebox ceiling to receive only two screws. Insert the screws into either two holes). See the drawing to the right for the location of hole numbers on the restrictor. The numbered holes in which the screws are inserted in the restrictor should correspond to the restrictor position numbers found on the drawings for your pipe configuration. Restrictor positions are based on tests run in a laboratory. The optimum restrictor positions may need to be adjusted slightly depending on the conditions surrounding the residential installation. Do not adjust restrictors to a point where the fireplace is sooting.

**Notes:** The higher the number of the flue restrictor position, the greater amount of combustion air will be delivered.

### Flue Restrictor Adjustment Guidelines

After the flue restrictors have been set to the standard settings as shown in *Figures 22 and 23*, the burner flame appearance should be evaluated to determine if the flue restrictors need to be set to a different position to adjust for variables in your installation. Light the appliance and allow it to burn for 20 minutes. See *Flame Color and Behavior* on *Page 30* to determine if you have a proper burner flame appearance. If the proper flame appearance cannot be achieved, the flue restrictor may need to be set to a different position. See the following guidelines to determine if you need to readjust the flue restrictors.

Before proceeding, confirm the manifold and inlet gas pressure is correct, primary air shutter is properly adjusted, venting system connections are secure and not blocked and if you are at a high elevation, ensure unit has been properly derated:

### Symptoms - Lack of Combustion Air

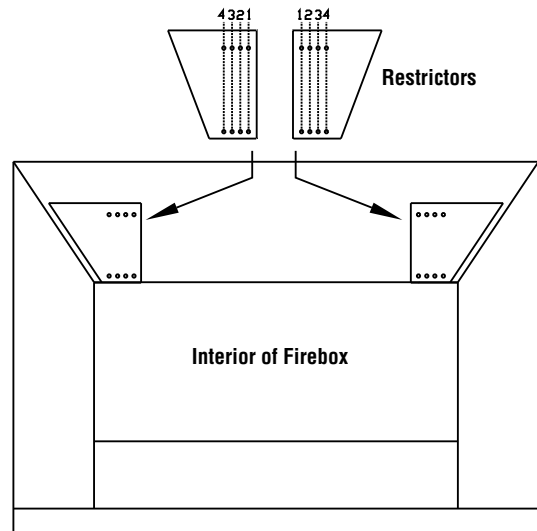
**If the symptoms listed below are present, you may need to adjust the flue restrictor to a more open position.**

- Flame appears yellow
- Floating Flames (lazy, ill defined, quiet, may roll)
- Sooting
- Pilot becomes yellow and appliance shuts down

### Symptoms - Excessive Combustion Air

**If the symptoms listed below are present, you may need to adjust the flue restrictor to a more closed position.**

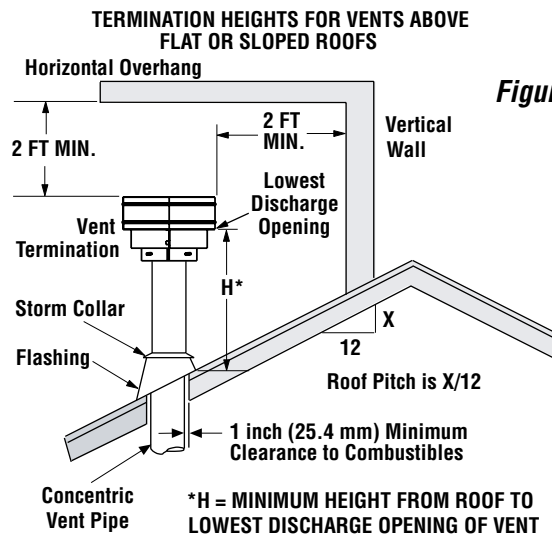
- Low Flame
- Pilot pulls and appliance shuts down
- Pilot flame ghosts



**Figure 20**

### Vertical Vent Termination Clearances

The vent / air intake termination clearances above the high side of an angled roof is as shown in the table below.



**Figure 21**

Termination Heights For Vents Above Flat Or Sloped Roofs Ref. NFPA 54 / ANSI Z223.1		
Roof Pitch	* Feet	* Meters
Flat to 6/12	1.0	0.3
6/12 to 7/12	1.25	0.38
7/12 to 8/12	1.5	0.46
8/12 to 9/12	2.0	0.61
9/12 to 10/12	2.5	0.76
10/12 to 11/12	3.25	0.99
11/12 to 12/12	4.0	1.22
12/12 to 14/12	5.0	1.52
14/12 to 16/12	6.0	1.83
16/12 to 18/12	7.0	2.13
18/12 to 20/12	7.5	2.29
20/12 to 21/12	8.0	2.44

## Horizontal Terminations (Use 8" Direct-Vent Pipe)

The shaded areas in the diagram below show all allowable combinations of vent configuration with horizontal terminations. Horizontal sections of pipe require 1/4" (6.4 mm) of rise for every 12" (305 mm) of run. A second 90° or 45° elbow (in addition to the first 90° elbow at the top of the vertical length of pipe) is allowed as long as the overall length of the horizontal run of pipe does not exceed those shown below. Use the restrictor positions indicated. If the fireplace is vented with an elbow directly off the top of the flue collar and three to four feet of horizontal pipe is used, then no restrictor is to be installed in the fireplace.

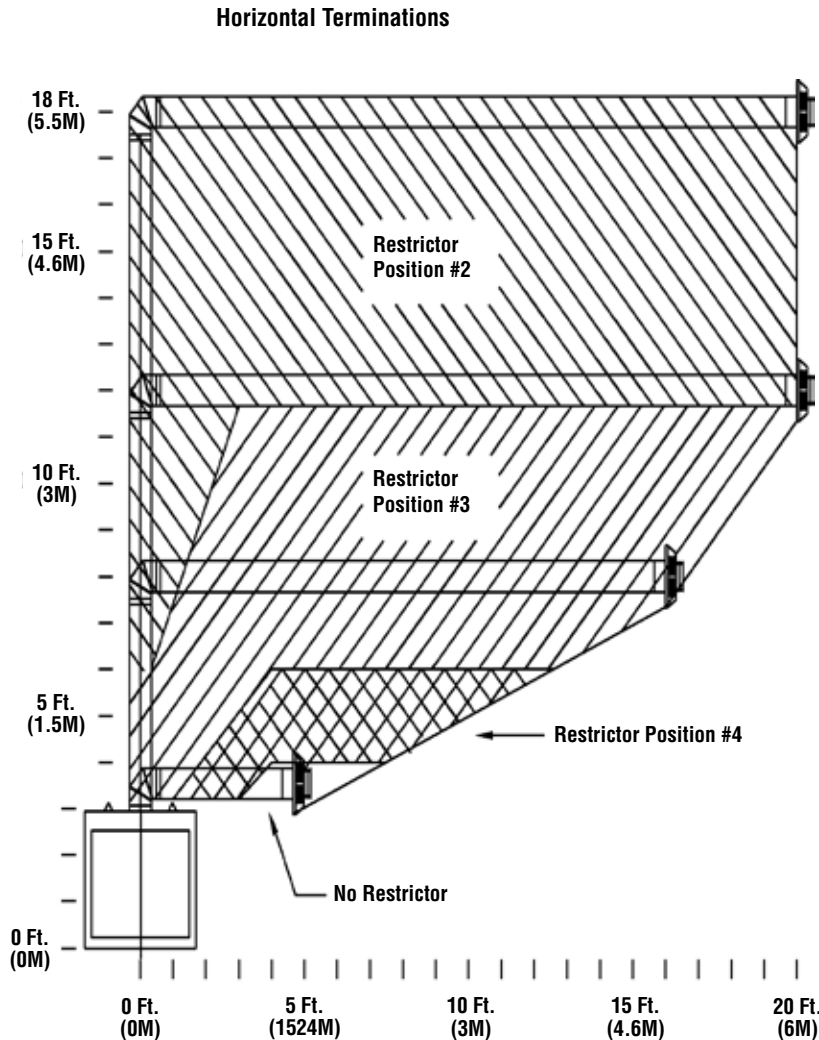


Figure 22

**Snorkel Terminations:** For installations requiring a vertical rise on the exterior of the building, 14-inch (356 mm) and 36-inch (914 mm) tall snorkel terminations - Security™ #SV5STC14 or SV5STC36 and Simpson #1281 or 1282 are available. Follow the same installation procedures as used for standard horizontal terminations. If the snorkel termination must be installed below grade (i.e. basement application), proper drainage must be provided to prevent water from entering the snorkel termination. Do not attempt to enclose the snorkel within the wall or any other type of enclosure. On vinyl siding, furring strips may be used to ensure that the snorkel is not recessed into the siding. NEVER install the snorkel upside down.

## Vertical Terminations (Use 6-5/8" Direct-Vent Pipe)

The shaded areas in the diagram below show all allowable combinations of straight vertical and offset to vertical (maximum four 45° elbows or two 90° elbows) vent configurations with vertical terminations. The termination must fall within the shaded areas on the diagram. Use the restrictor positions indicated. The maximum offset length at a 45° angle consists of one three foot and one four foot section of pipe. The maximum height is 30 feet (9.1 M) and the minimum is 10 feet (3 M).

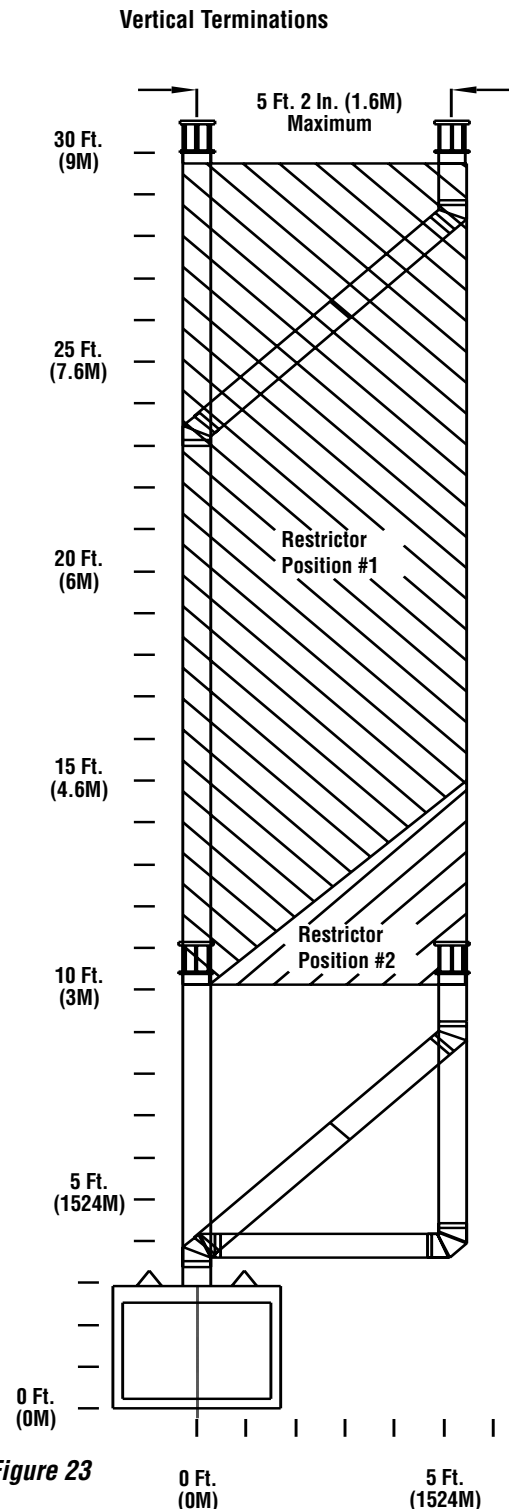
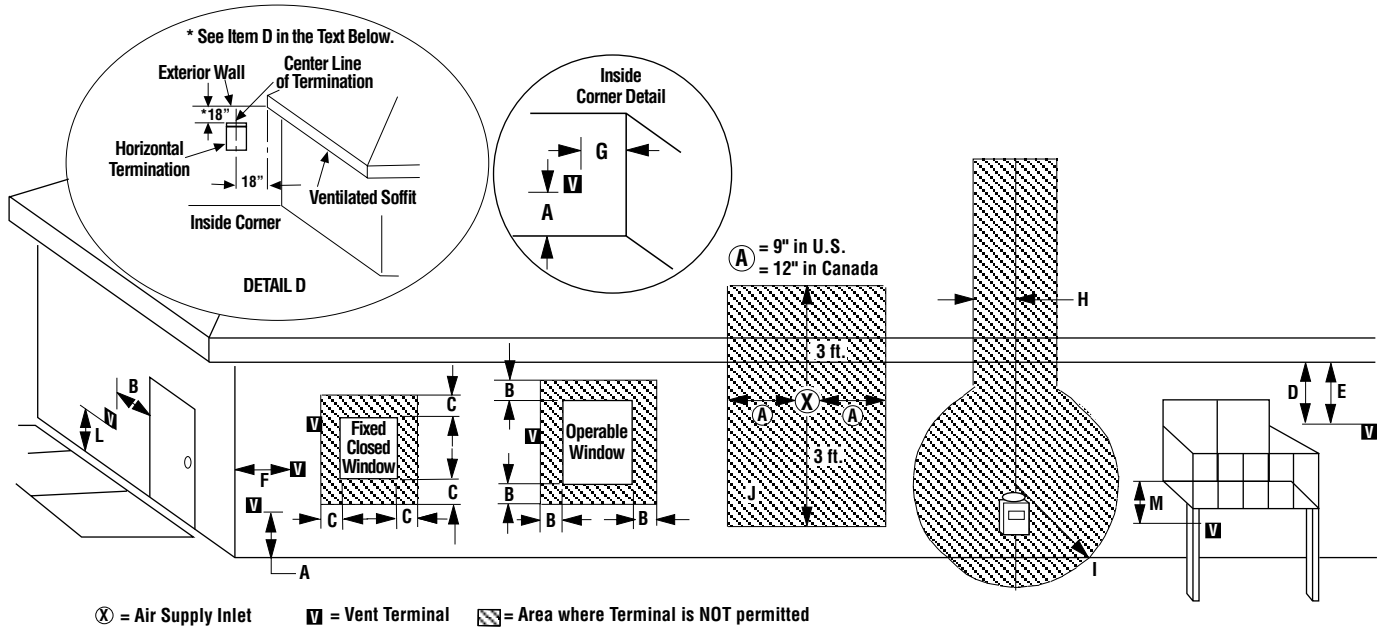


Figure 23

NOTE: DIAGRAMS & ILLUSTRATIONS ARE NOT TO SCALE.

## Exterior Horizontal Vent Termination Clearance Requirements



Minimum Clearances	Canadian Installation *	US Installation **
A = Clearance above grade, veranda, porch, deck or balcony.	12 inches (30 cm) *	12 inches (30 cm) **
B = Clearance to window or door that may be opened.	6 in. (15.2 cm) for appliances < 10,000 BTU/hr (3kW), 12 in. (30 cm) for appliances > 10,000 BTU/hr (3kW) and < 100,000 BTU/hr (30kW), 36 inches (91 cm) for appliances > 100,000 BTU/hr (30kW)*	6 in. (15.2 cm) for appliances < 10,000 BTU/hr (3kW), 9 in. (23 cm) for appliances > 10,000 BTU/hr (3kW) and < 50,000 BTU/hr (15kW), 12 inches (30 cm) for appliances > 50,000 BTU/hr (15kW)*
C = Clearance to permanently closed window	12 inches (305 mm) recommended to prevent window condensation	9 inches (229 mm) recommended to prevent window condensation
D = Vertical clearance to ventilated soffit located above the terminal within a horizontal distance of 18 in. (458 mm) from the center line of the terminal	18 inches (458 mm)	18 inches (458 mm)
E = Clearance to unventilated soffit	12 inches (30 cm)	12 inches (30 cm)
F = Clearance to outside corner	5 inches (12.7 cm)	5 inches (12.7 cm)
G = Clearance to inside corner	6 in. (15 cm)	6 in. (15 cm)
H = Clearance to each inside of center line extended above meter / regulator assembly	3 feet (91 cm) within a height of 15 feet above the meter / regulator assembly *	3 feet (91 cm) within a height of 15 feet above the meter / regulator assembly **
I = Clearance to service regulator vent outlet	3 feet (91 cm) *	3 feet (91 cm) **
J = Clearance to non-mechanical air supply inlet to building or the combustion air inlet to any other appliance	6 in. (15.2 cm) for appliances < 10,000 BTU/hr (3kW), 12 in. (30 cm) for appliances > 10,000 BTU/hr (3kW) and < 100,000 BTU/hr (30kW), 36 inches (91 cm) for appliances > 100,000 BTU/hr (30kW)*	6 in. (15.2 cm) for appliances < 10,000 BTU/hr (3kW), 9 in. (23 cm) for appliances > 10,000 BTU/hr (3kW) and < 50,000 BTU/hr (15kW), 12 inches (30 cm) for appliances > 50,000 BTU/hr (15kW)*
K = Clearance to mechanical air supply inlet	6 feet (1.8 meters) *	3 feet (91 cm) above, if within 10 feet (3 m) horizontally**
L = Clearance above paved sidewalk or paved driveway located on public property	7 feet (2.13 m) ‡	7 feet (2.13 m) ‡
M = Clearance under veranda, porch, deck or balcony	12 in. (30 cm) * ‡	12 in. (30 cm) ** ‡
* In accordance with the current CSA/CAN-B149.1 National Gas and B149.2 Propane Installation Code - Latest Editions.		
** In accordance with the current ANSI Z223.1 / NFPA 54 National Fuel Codes - Latest Edition.		
‡ A vent shall not terminate directly above a sidewalk or paved driveway which is located between two single family dwellings and serves both dwellings.		
*‡ Only permitted if veranda, porch, deck or balcony is fully open on a minimum 2 sides beneath the floor.		

Figure 24

NOTE: DIAGRAMS & ILLUSTRATIONS ARE NOT TO SCALE.

## Brick Panel and Log Set Installation

### Brick Panel

The brick panels are extremely fragile so handle them with care.

1. Remove brick panels from box and wrapping.
2. The long rectangular panel goes in the rear of the firebox - the thin layer of bricks should be down. The panel rests on three metal tabs protruding from the rear of the firebox about 3" above the firebox floor.
3. On the side panels, the rounded edge goes to the front. Install the side panels by sliding them along the side of the firebox into retainers at the top and bottom.

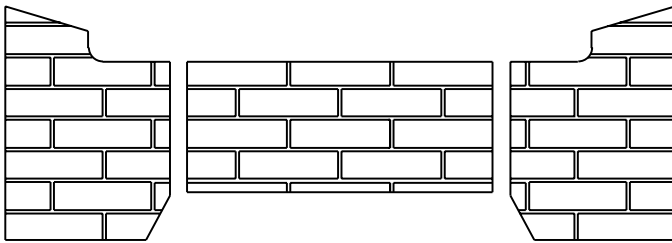


Figure 25

### Log Set and Embers

Firebox Accessories / Parts	
Cat. No.	Description
H5859	Log Set
H5863	Bag of Embers (volcanic stone)
H5864	Bag of Rockwool (glowing embers)

### Log Installation Instructions

If logs are not installed according to the log installation instructions, flame impingement and improper combustion could occur and result in soot and/or excessive production of carbon monoxide (CO), a colorless, odorless, toxic gas.

The size and position of the log set is critical to achieve a safe, reliable and attractive flame pattern. Any attempt to use a different log set in the fireplace will void the warranty and will result in incomplete combustion, sooting and poor flame quality.

1. Remove the six logs from the box and foam packaging. Lay them out for easy identification during installation.
2. Place rear log on insert tabs (these tabs will penetrate the center of the log) at the rear of the burner.
3. Place a light (fluffed) layer of embers (rockwool) directly on top of the port holes in the burner. **CAUTION: A 1/4" (6.4mm) air space between the rockwool and lower base of the rear log needs to be maintained for combustion air and proper flame aesthetics.**
4. Place Log #2 on tab. An air shield is provided for natural gas use only. For LP conversions, remove the air shield.
5. Place Logs #3, #4 and #5 on tab inserts.

6. Place Log #6 on tab located on right side of firebox. The other end of the log is placed on the burner.
7. Volcanic stone may be placed along the front edge of the burner, but not directly over the burner ports.

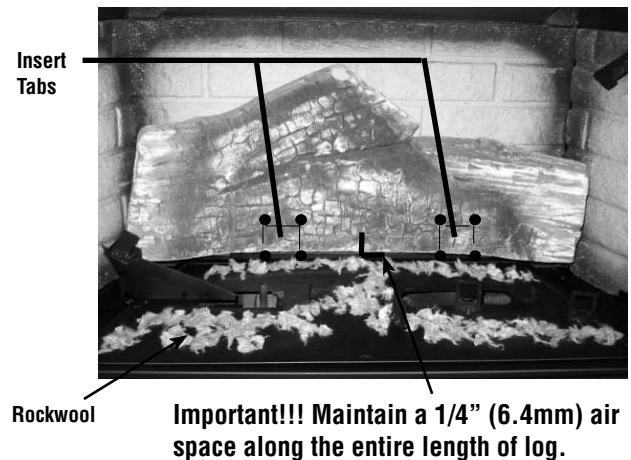


Figure 26

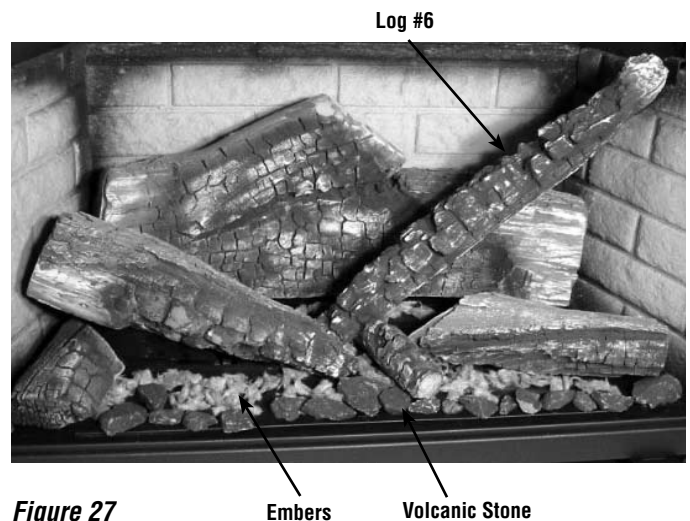


Figure 27

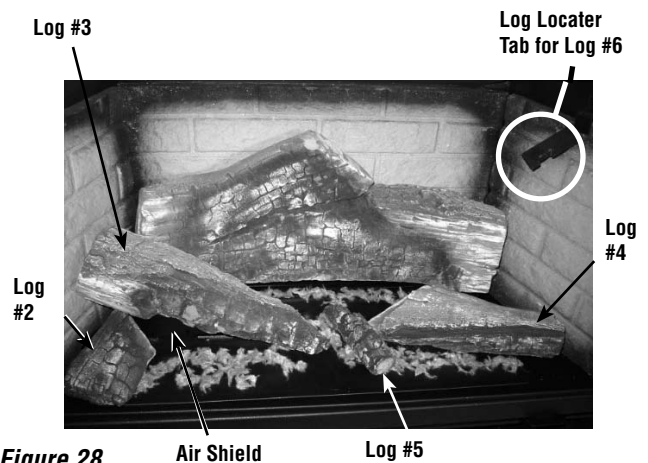


Figure 28

NOTE: DIAGRAMS & ILLUSTRATIONS ARE NOT TO SCALE.

## Electrical Connections:

- \* The breaker supplying electricity to the fireplace must be turned off at the electrical panel before any connections are made at the fireplace.
- \* The wire supplying the fireplace should be a minimum of 14 gage and provide 120 Volts at 60 hz.
- \* The fireplace must be grounded in accordance with local electrical codes or, in the absence of local codes, with the National Electrical Code or ANSI/NFPA 70 - latest edition.
- \* The electrical box is located at the right rear of the fireplace (see **Figures 29 and 30**). Remove the cover, loosen the wire clamp A and feed the household supply line through the clamp and retighten clamp.
- \* Connect the supply ground wire to the green screw B.
- \* Remove the wire nut C from the black wires coming from the fireplace and join these wires to the black supply wire reusing the wire nut. Repeat for white wires.
- \* Reinstall the cover to the fireplace.
- \* If a wall-mounted burner on/off switch or thermostat is to be used, the wires running from the switch or thermostat should be routed to the left side of the fireplace. The wire should be fed through the gas line supply hole along the gas line to the valve.

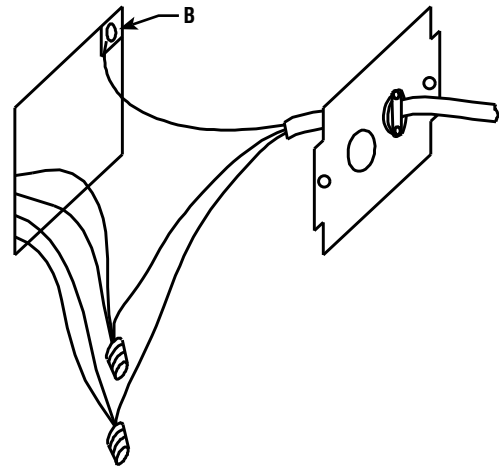


Figure 30

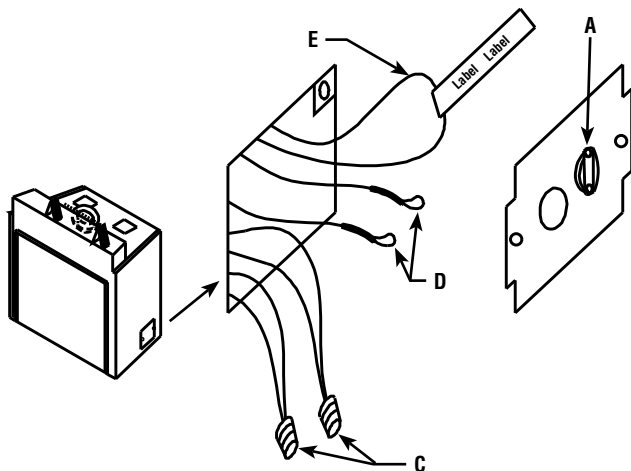


Figure 29

## Wall-Mounted Fan Speed Control:

If desired, a wall-mounted fan speed control can be installed. The breaker supplying electricity to the fireplace must be turned off at the electrical panel before any connections are made. The loop of wire with the label attached (E in **Figure 29**) may be cut and the wire leads from the wall-mounted speed control connected to each end of the cut wire.

## Optional Heat Ducting System:

The remaining red and white wires with capped ends (wires D in **Figure 29**) are for the optional Forced Air Heating System. See the instructions provided with the system for installation details.

## Fan Wiring Diagram

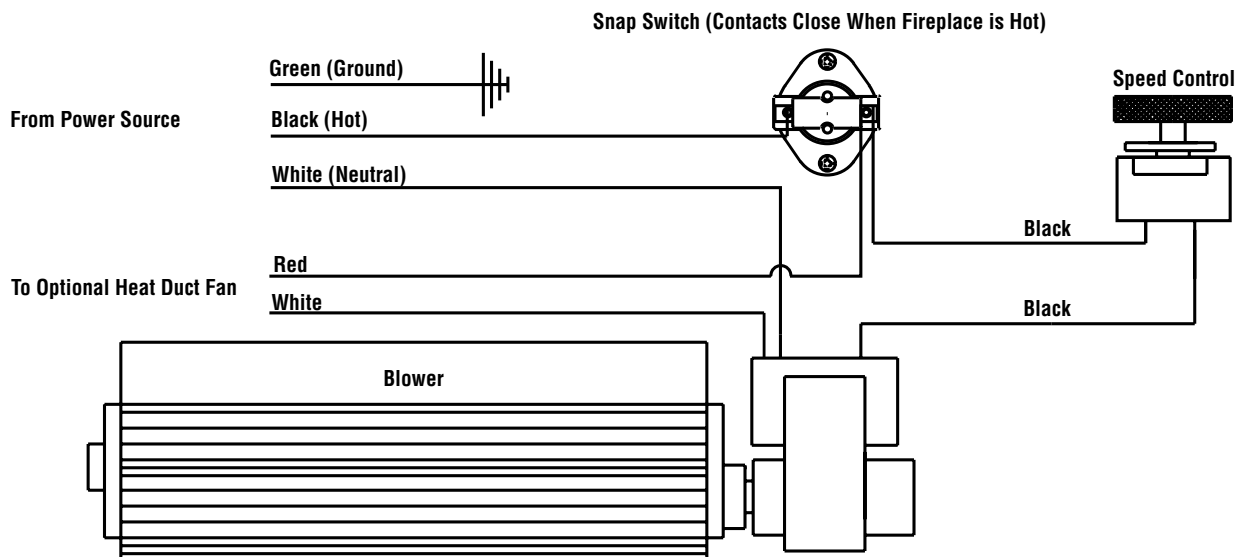


Figure 31

NOTE: DIAGRAMS & ILLUSTRATIONS ARE NOT TO SCALE.

## Gas Line Installation

The Ravelle™ 42 gas fireplace must be connected to the gas line in accordance with local codes and/or the National Fuel Gas Code, ANSI Z223.1 (In Canada, the current CAN/CSA B149.1 installation code). The gas line should enter the fireplace on the left side (see diagrams on **Pages 8 and 9**). If the gas line enters the unit from the right side, the line will need to be disconnected to remove the fan. The fireplace comes with a flex line attached to the supply side of the gas valve. The fitting on the end of the flex line can receive a 1/2" female iron pipe coupling, a 3/8" male iron pipe, or a shut-off valve. There is sufficient room to locate the shut-off valve under the firebox at the end of this flex line, however, local codes may require the shut-off to be located on the exterior of the fireplace. After connecting the gas line, all joints in the line and connections at the valve should be checked for leaks before final positioning of the unit. Conduct a gas leakage test of the appliance piping and control system downstream of the shutoff valve in the supply line to the appliance.

## Gas Pressure Requirements

### A MAJOR CAUSE OF OPERATING PROBLEMS WITH GAS APPLIANCES IS IMPROPER GAS PRESSURE!

**The most important item to check during the initial installation and the first thing to check when operating problems occur is gas pressure!**

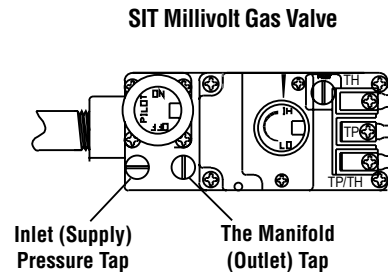
**This fireplace will not function properly unless the required gas pressure is supplied. See the table on this page for gas pressure requirements.**

Two pressure taps are provided on the fireplace's valve to check gas pressures. To access the taps remove the two socket head screws to remove the valve control panel/heat shield. The taps are located below the on/off/pilot knob (see **Figure 32**). The left tap is the inlet (supply) pressure side. To check inlet pressure (with the fireplace burning) insert a small flat bladed screwdriver into the tap and turn a half turn counter-clockwise. Cover the tap with the line from a manometer and read the pressure. Close the tap gently but securely after completing the check. The manifold (outlet) tap is to the right of the inlet tap. To check manifold pressure (with the fireplace burning at the high burn setting) insert a small flat bladed screwdriver into the tap and turn a half turn counter-clockwise. Cover the tap with the line from the manometer and check the pressure. Again close the tap gently but securely after completing the check. Check the taps for gas leaks with a gas leak test solution (retighten if necessary).

If the pressure is not sufficient, make sure the gas supply line is large enough, the supply regulator is properly adjusted and the total gas load for the residence does not exceed the amount supplied.

**Note:** *The appliance and its individual shut-off valve must be disconnected from the gas supply piping system during any pressure testing of that system at test pressures in excess of 1/2 psig. The appliance must be isolated from the gas supply piping system by closing its individual manual shut-off valve during any pressure testing of the gas supply piping system at test pressures equal to or less than 1/2 psig. Check with your gas supplier or plumber.*

Fuel Type	Inlet Pressure			Manifold Pressure	
	Desired	Minimum	Maximum	On Hi Fire	On Lo Fire
Natural Gas	7" WC	5" WC	10.5" WC	3.5" WC	1.7" WC
LP Gas	11" WC	11" WC	13" WC	11" WC	5.4" WC



**Figure 32**

## LP and Natural Gas Supplies

Your Ravelle gas fireplace is equipped from the factory for use with natural gas only as specified on the Safety / Listing label attached to the appliance. This appliance can only be operated using propane gas (LP) if a certified fuel conversion kit provided by Lennox Hearth Products is installed by a qualified service technician.

Also check the orifice size on the label on the igniter bracket. It must be the correct size for the fuel and altitude.

**Do not run propane tank dry. Running the tank dry may cause a hazardous condition due to pressure drop in empty tank.**

**Solid fuel is NOT to be used with this unit.**

## Increasing Efficiency and Hot Air Movement

A number of different options are available to the homeowner to maximize the heat output and air movement to different rooms in the house.

**Grills:** If your Ravelle™ 42 gas fireplace is installed in a cabinet or a chase, heat can be drawn from these enclosures and circulated into the living area by cutting one or two openings covered by a register or Grill.

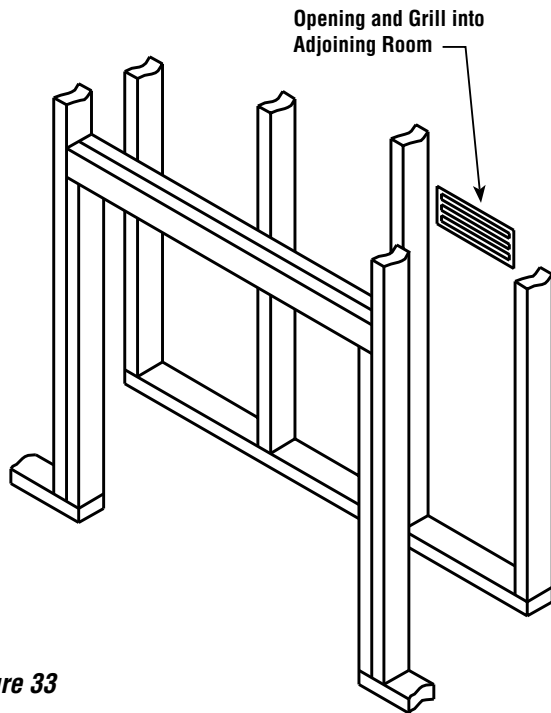


Figure 33

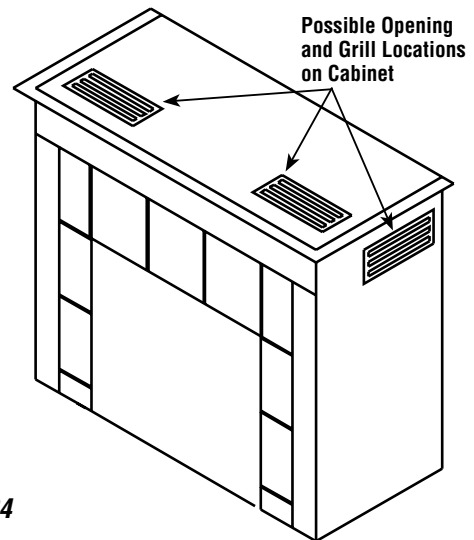


Figure 34

**Whole Home Comfort System:** The Whole Home Comfort System is a very inexpensive and efficient way to move air into and heat other areas of the house. In the bottom of the Ravelle™ 42 gas fireplace are four inch and Six inch (152 mm) diameter knock-out plates. Four inch (102 mm) or six inch (152 mm) diameter return air ducting may be fastened to the bottom of the fireplace, run into another room in the house and terminated with a grill. When the fireplace is burning, with or without the fireplace fan running, air is drawn from a distant room (lowering the pressure in that room) through the return air duct into the bottom of the fireplace. The air then passes through the outer shell and heat exchanger of the fireplace and into the room in which the fireplace is located. The hot air in the fireplace room moves through an open doorway or hall into the low pressure room from which the air was drawn. This system functions well by convection even without the use of the fireplace fan. Six inch (152 mm) diameter ducting moves more air than four inch diameter ducting. Ducting in uninsulated areas of a house (for example in the crawl space) should be wrapped in insulation to ensure maximum heat retention. Check local building codes - some areas may require firestops when the duct passes from room to room.

*Note: Grill can be in the Wall, Ceiling, or Floor.*

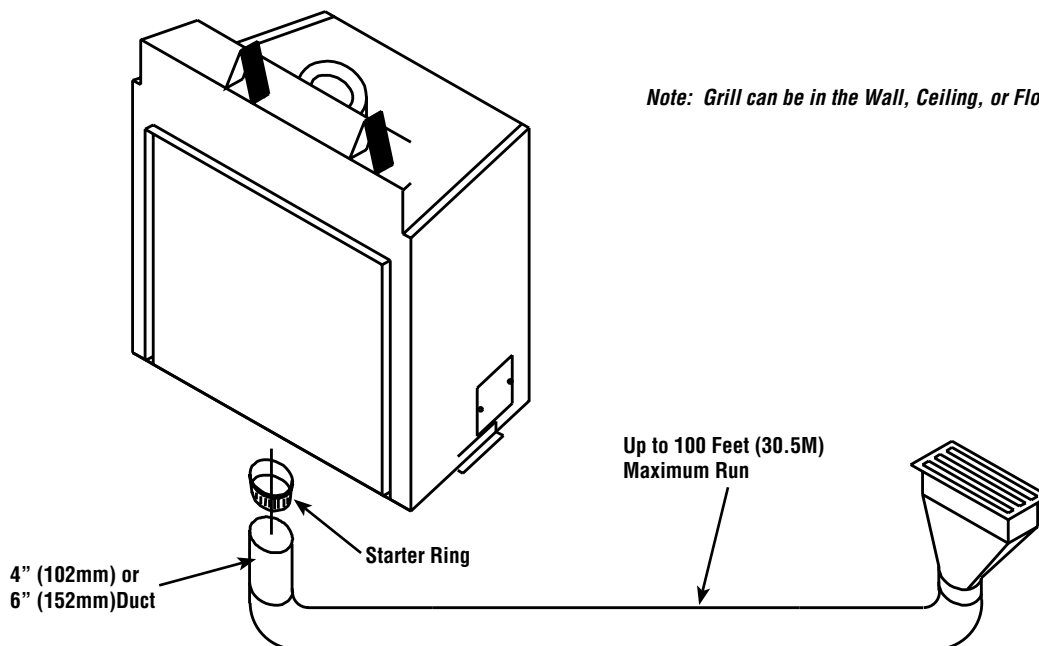


Figure 35



## Forced Air Heating Installation

Hot air can be drawn off the Ravelle™ 42 gas fireplace and moved into other rooms of the house with the forced air heating system. This system can be purchased as an option from your Lennox Hearth Products dealer (part #75134).

The system draws heated air from the Ravelle 42 gas fireplace and moves it with the use of a 150 CFM fan through six inch ducts into other rooms in the house. The system acts as a forced air furnace. One or two systems can be used with each Ravelle 42 gas fireplace.

### SYSTEM OVERVIEW

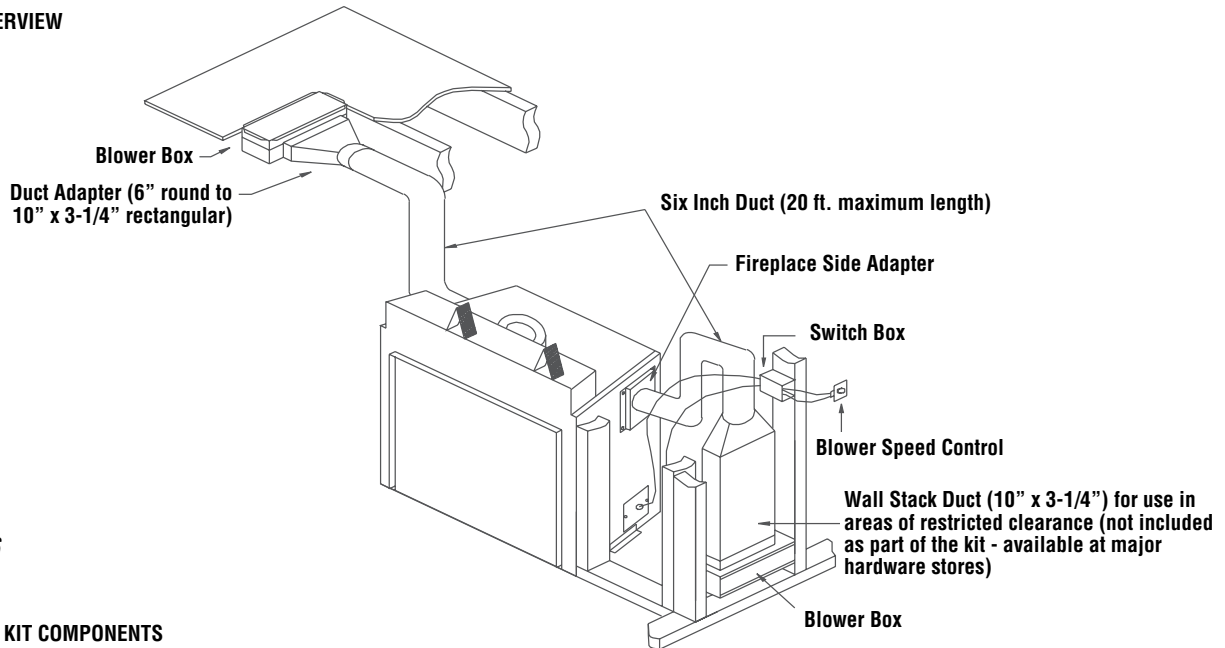


Figure 36

### FORCED AIR KIT COMPONENTS

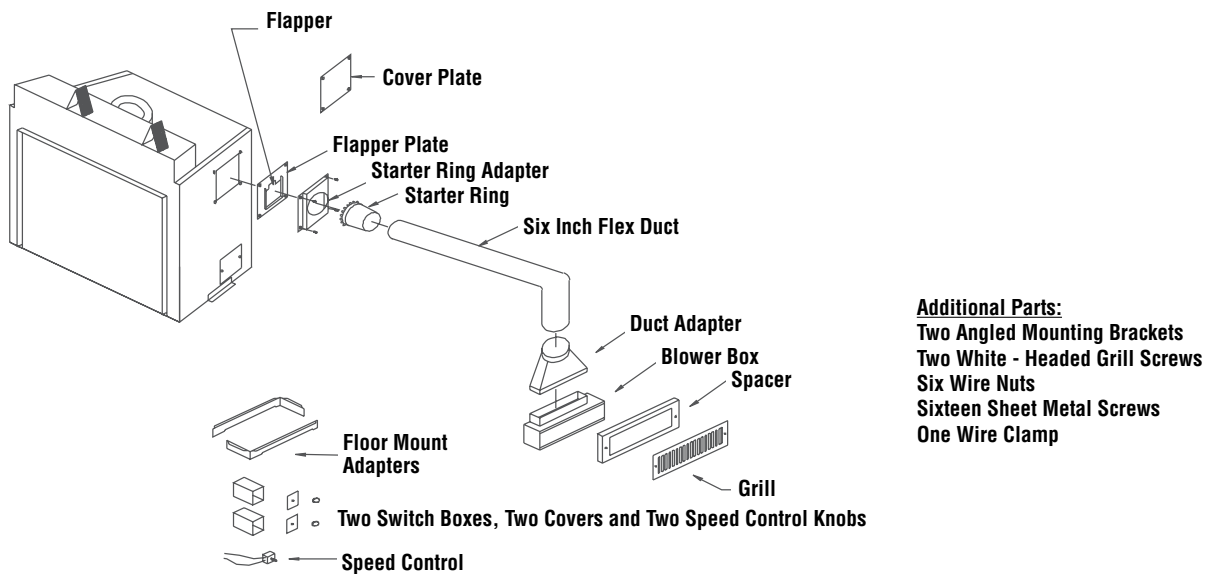


Figure 37

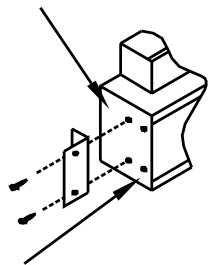
NOTE: DIAGRAMS & ILLUSTRATIONS ARE NOT TO SCALE.

The fan box may be located in the wall, floor, or ceiling.

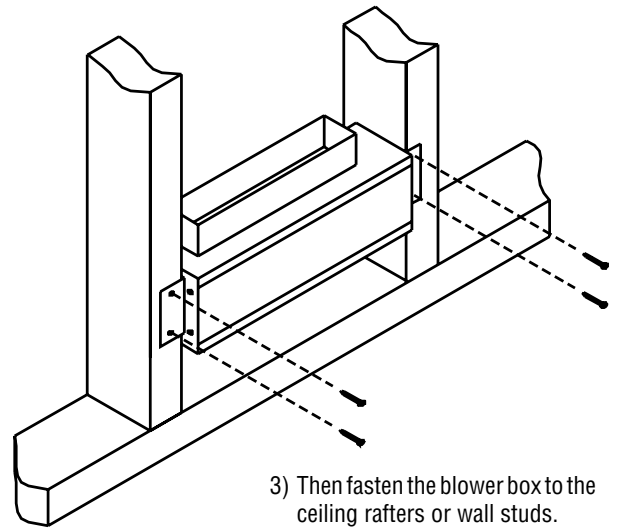
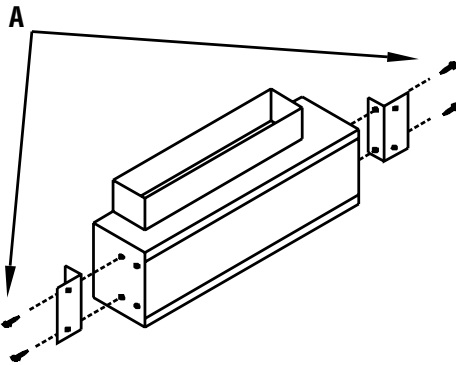
### Ceiling and Wall Mounting:

1) Fasten the two angled brackets to the side of the face box with the screws provided (see A below).

2) Fasten the bracket in these holes for 2 x 4 walls.



Fasten the bracket in these holes for 2 x 6 or greater walls or ceiling.

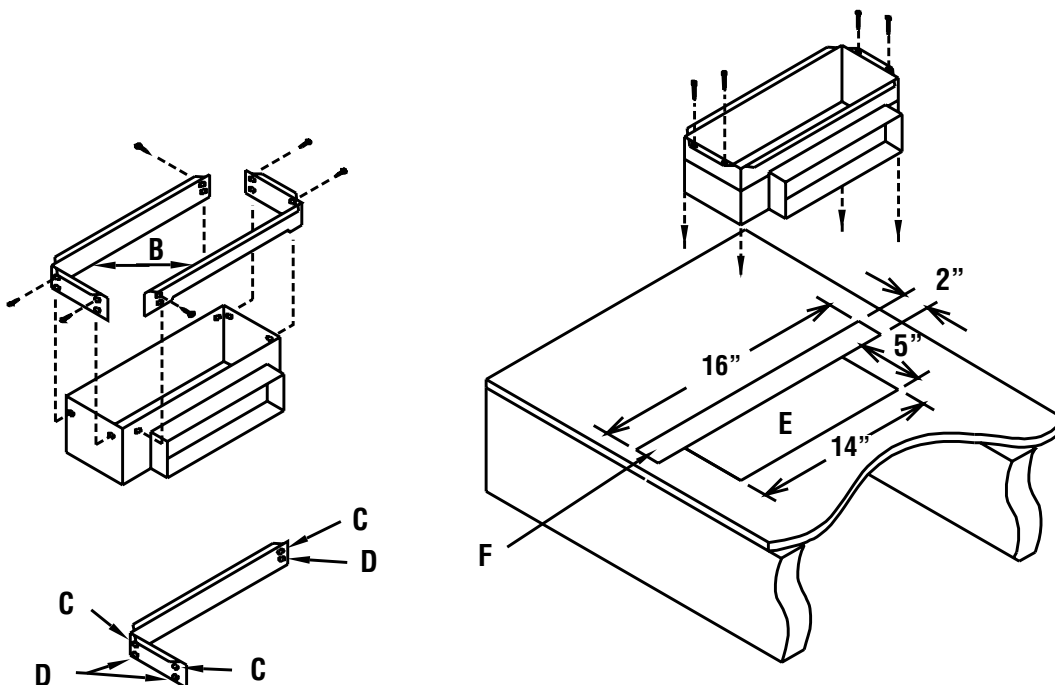


3) Then fasten the blower box to the ceiling rafters or wall studs.

**Figure 38**

### Floor Mounting:

1. Fasten the two floor mount adapters (B below) to the side of the fan box with the screws provided. The floor mount adapters have two sets of holes. The upper holes (C below) should be used if the flooring material is thin and the lower holes (D below) should be used if the flooring material is thick.
2. Cut the hole (E below) for the fan box. Since the fan box body is wider than the portion that comes up through the floor an additional piece of flooring (F below) should also be cut out for the fan box to slide through. (Save this piece F and nail it back in place after the fan box is installed).
3. Slide the fan box through the cut holes and nail or screw it to the floor.



**Figure 39**

NOTE: DIAGRAMS & ILLUSTRATIONS ARE NOT TO SCALE.

## Duct Assembly:

The duct has zero clearance to combustibles.

1. Remove the cover plate from the top of the fireplace. Save the screws and discard the plate.
2. Insert the starter ring into the starter ring adapter and bend the tabs under to secure the ring to the adapter. See the expanded view below.
3. Place the adapter with the attached starter ring over the flapper plate and secure them to the top of the fireplace using the four screws that held the cover plate.
4. Fasten the remaining components of the duct: flex line, duct adapter, wall stack and fan box using at least three sheet metal screws and aluminum duct tape at each joint.
5. Secure the ducting to prevent sagging.

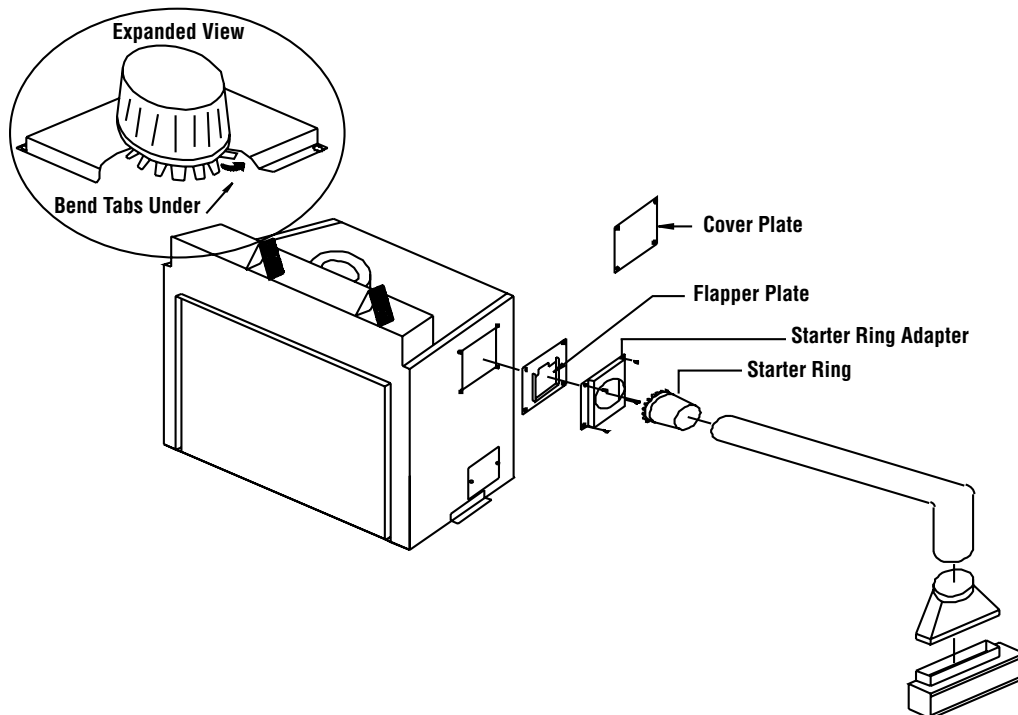


Figure 40

## Wiring of the Forced Air System:

Disconnect the electrical supply to the fireplace at the electrical panel prior to wiring the forced air system fan. All wiring should be done by a qualified electrician.

1. After installing the fan box and ducting from the fireplace to the fan box, the wiring of the fan box should be undertaken. Included in the ducting kit are two electrical switch boxes. One is for installation in new construction and the other is to be used in a remodel. Select the switch box needed and fasten it to the wall framing in the room in which the fan box is located.

(Instructions continue on the following page).

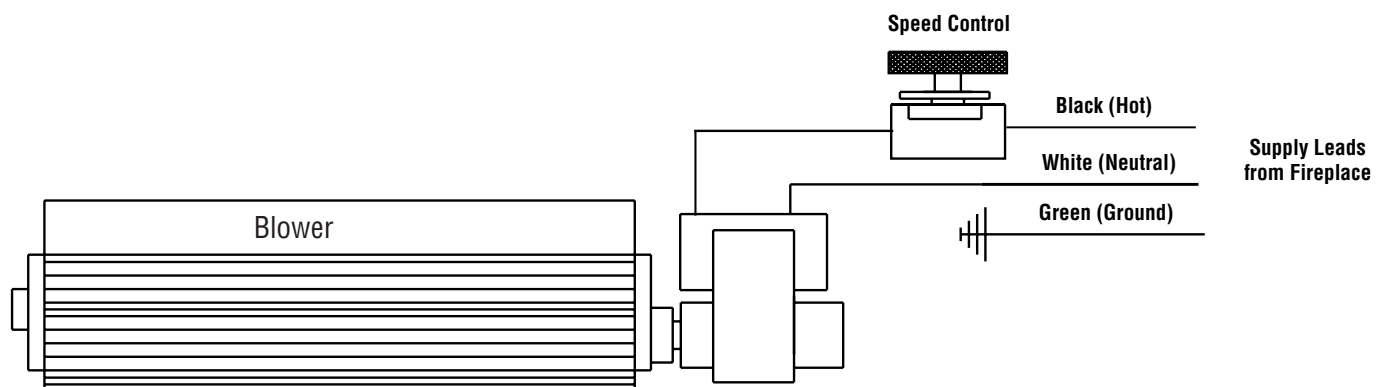


Figure 41

NOTE: DIAGRAMS & ILLUSTRATIONS ARE NOT TO SCALE.

## Wiring of the Forced Air System Continued:

2. Remove the cover over the electrical box at the right lower rear of the fireplace. Run sheathed wire from the fireplace electrical box to the switch box and from the switch box to the fan box. Install the wire clamp in the unused knock-out hole in the fireplace electrical box cover. Run the end of the sheathed wire through this wire clamp. In the electrical box are a white wire and a red wire with clear caps on their ends. Remove these caps and join the red wire and black wire with the wire nuts provided. Also join the white wire from the fireplace with the white wire from the sheathed wire using the wire nuts provided. Fasten the ground wire from the sheathed wire to the green grounding screw in the electrical box. When the fireplace gets up to temperature, a heat activated switch will close and allow electricity to flow to the red wire.
3. At the switch box, cut the black sheathed wire, strip back the insulation and join each end (with the wire nuts provided) to a lead from the speed control. It does not matter which lead from the speed control is fastened to which black wire. After making these connections, roll the connectors and wire into the switch box. Two different colors of covers and knobs come with the kit. Select the cover desired and fasten the speed control and cover to the box with the screws supplied. Push the desired knob onto the shaft of the speed control.
4. Remove the four screws holding the fan to the fan box and lift fan out of the fan box (see **Figure 43**). Feed the sheathed wire A through the wire clamp B. Remove the insulation from the sheathed wire and the two wires coming from the fan motor. Join together using the wire nuts provided the black wire from the motor and the black sheathed wire. Also join the two white wires. Fasten the ground wire to the green grounding screw inside the fan box. Reinstall the fan in the fan box using the four screws.

### Notes:

The speed of this forced air system fan can be controlled by the speed control that is installed with it. The speed control also has an off position. This fan is energized only when the fireplace is up to temperature. It will also shut off automatically when the fireplace cools down.

To maximize hot air distribution, this forced air system can be used in conjunction with the Whole Home Comfort System described in this manual.

**Grill Installation:** The Grill that covers the fan box is secured with the two white-headed screws provided. When the fan box is mounted in a 2"x4" framed wall the box will extend past the sheetrocked wall into the room. In these installations the Grill spacer should be used (see **Figure 42**).

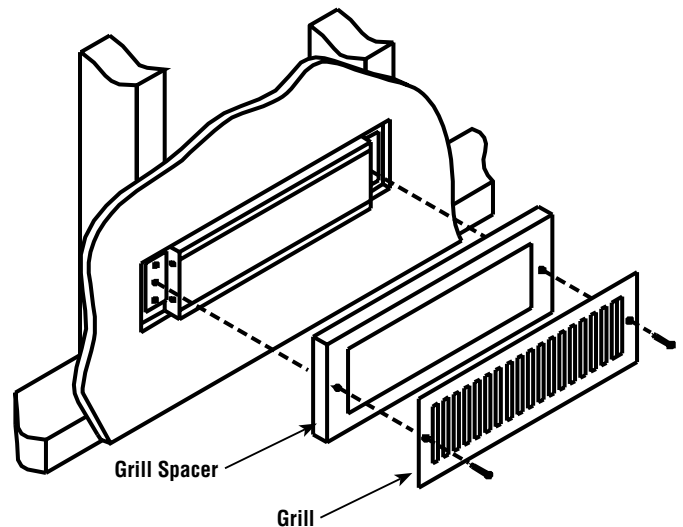


Figure 42

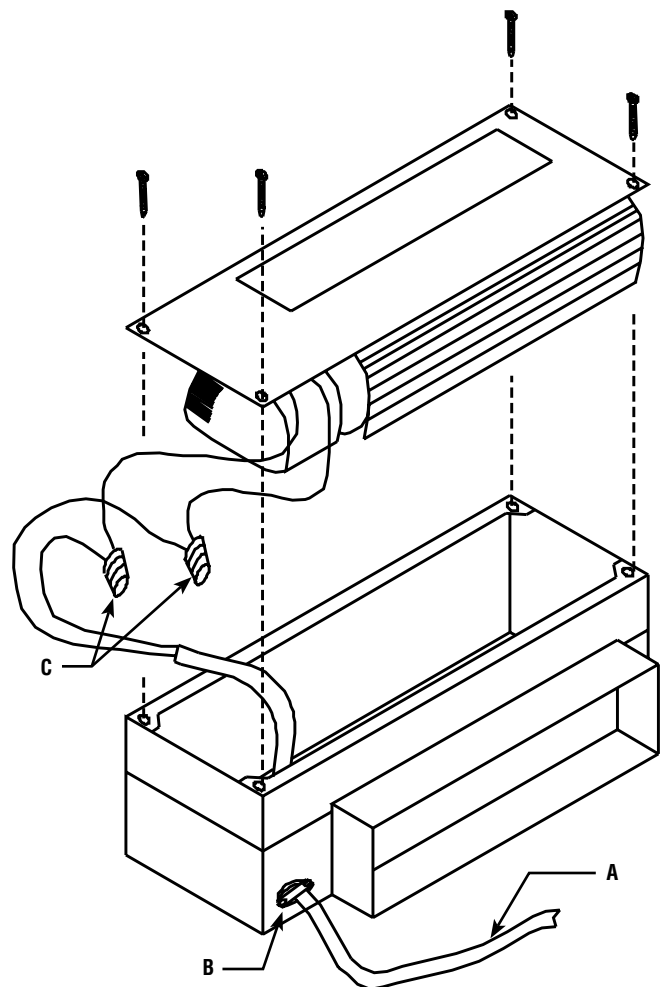


Figure 43

NOTE: DIAGRAMS & ILLUSTRATIONS ARE NOT TO SCALE.

## Operating Instructions

### Pre-Lighting Checklist

Be sure to check these items before the initial lighting of the fireplace:

- The fireplace gas label corresponds to the gas supply available - that is "natural gas" for natural gas or "LP gas" for Propane gas.
- Gas pressure has been checked carefully - see **Page 23**.
- All gas fittings have been checked for leaks.
- All clearances to combustibles have been met - see **Page 7**.
- All combustible materials have been removed from the area in front of the fireplace.
- All vented areas of the fireplace face are unobstructed.
- House is ventilated to clear initial paint curing odors - see **Page 31**.
- All packaging materials have been removed from the firebox.
- While fireplace is cool, fingerprints or other marks have been cleaned from any gold or nickel surfaces with denatured alcohol and a soft cloth. Marks left on these surfaces may become etched into the finish if not removed prior to burning the unit.
- Brick panel, log set, volcanic stone and embers have been installed.
- The glass door is in place and is properly sealed.

### Lighting Instructions

The following is a copy of the operating and lighting instructions found with each fireplace:

#### FOR YOUR SAFETY READ BEFORE OPERATING

**WARNING: IF YOU DO NOT FOLLOW THESE INSTRUCTIONS EXACTLY, A FIRE OR EXPLOSION MAY RESULT CAUSING PROPERTY DAMAGE, INJURY, OR LOSS OF LIFE.**

**CAUTION: HOT WHILE IN OPERATION. DO NOT TOUCH. KEEP CHILDREN, FURNITURE, GASOLINE AND OTHER LIQUIDS WITH FLAMMABLE VAPORS AWAY. NEVER OPERATE UNIT WITH GLASS OFF OR ATTEMPT TO REMOVE THE GLASS WHILE HOT.**

- A. This appliance is equipped with a piezo ignition device to light the pilot. When lighting the pilot, follow these instructions exactly.
- B. **BEFORE LIGHTING**, smell around the appliance area for gas. Be sure to smell next to the floor, because some gas is heavier than air and will settle on the floor.

#### WHAT TO DO IF YOU SMELL GAS:


**DO NOT** try to light the appliance.  
**DO NOT** touch any electric switch,  
**DO NOT** use any phone in the building. Immediately call your gas supplier from a neighbor's phone. Follow the gas supplier's instructions. If you cannot reach your gas supplier, call the fire department.

- C. Use only your hand to push in or turn the gas control knob. Never use any tool. If the knob will not push in or turn by hand, don't try to repair it, call a qualified service technician. Force or attempted repair may result in a fire or explosion.
- D. **DO NOT** use this appliance if any part has been under water. Immediately call a qualified service technician to inspect the appliance and to replace any part of the control system and any gas control which has been under water.





## OPERATING INSTRUCTIONS

**CAUTION: YOUR Lennox Hearth Products gas FIREPLACE MUST ALWAYS BE OPERATED WITH GLASS IN PLACE.**


**STOP!! Read the safety information above before proceeding.**

1. Open the lower door. Make sure gas supply shut-off cocks are open and ON/OFF rocker switch is "OFF." If equipped with a thermostat, set it to the lowest setting.
2. Turn off all electrical power to the appliance.
3. Push in gas cock dial slightly and turn clockwise  to "OFF."

**Note:** Dial cannot be turned from "PILOT" to "OFF" unless dial is pushed in slightly. Do not force.

4. Wait five minutes to clear out any gas. Then smell for gas, including near the floor. If you smell gas, STOP! Follow "B" above. If you don't smell gas continue.
5. Locate the pilot by looking at the left center of the burner, under the left elevated log. Blue flame will be seen when the pilot is lit.
6. Turn the gas control knob counter-clockwise  to the "PILOT" position.
7. Push the knob all the way in and hold in that position. Immediately light the pilot by pressing the igniter button several times until pilot is lit. Continue to hold the knob in for about 30 seconds after the pilot is lit. Release knob and it will pop back out. Pilot should remain lit. If it goes out, repeat steps 4-8 holding knob in an additional 15 seconds after pilot is lit. If knob does not pop out when released, stop and immediately call your service technician or gas supplier. If the pilot will not stay lit after several tries, turn the gas control knob to "OFF" and call your service technician or your gas supplier.
8. After pilot is lit, turn gas control knob counter-clockwise  to "ON." Knob can only be turned to "ON" if the knob has popped out.
9. To turn burner on, turn "ON/OFF" rocker switch to "ON" or set the thermostat to the desired temperature above room temperature.
10. Adjust the flame height (and heat output) by turning the flame height knob clockwise  for full flame and counter-clockwise  for reduced flame.
11. Turn on the electric power to the appliance and set the blower to the desired air flow after it turns on when the appliance reaches operating temperature.

## TO TURN OFF GAS TO APPLIANCE

1. Turn off the "ON/OFF" rocker switch and/or thermostat (if installed) to its lowest setting.
2. Turn off electric power to the appliance if service is to be performed.
3. Push in gas control knob slightly and turn clockwise  to "OFF." Do not force.

**This appliance needs fresh air for safe operation and must be installed so there are provisions for adequate combustion and ventilation air.**

## SHUTDOWN PROCEDURE

To turn off the burner, turn the rocker switch to "OFF" or adjust the thermostat (if installed) to a setting below room temperature. The pilot will remain lit for future burner ignition. For complete shutdown, see "TO TURN OFF GAS TO APPLIANCE" above.

## ⚠ WARNINGS

- **Improper installation, adjustment, alteration, service or maintenance can cause injury or property damage. For assistance or additional information, consult a qualified installer, service agency or your gas supplier.**
- **Operation of this appliance when not connected to a properly installed and maintained venting system can result in carbon monoxide (CO) poisoning and possible death.**
- **Carbon monoxide poisoning – Early signs of carbon monoxide poisoning resemble the flu with headaches, dizziness, or nausea. If you have these signs, get fresh air at once! Have the heater inspected by a qualified service technician. Some people are more affected by carbon monoxide than others. These include pregnant women, people with heart or lung disease or anemia, those under the influence of alcohol and those at high altitudes.**

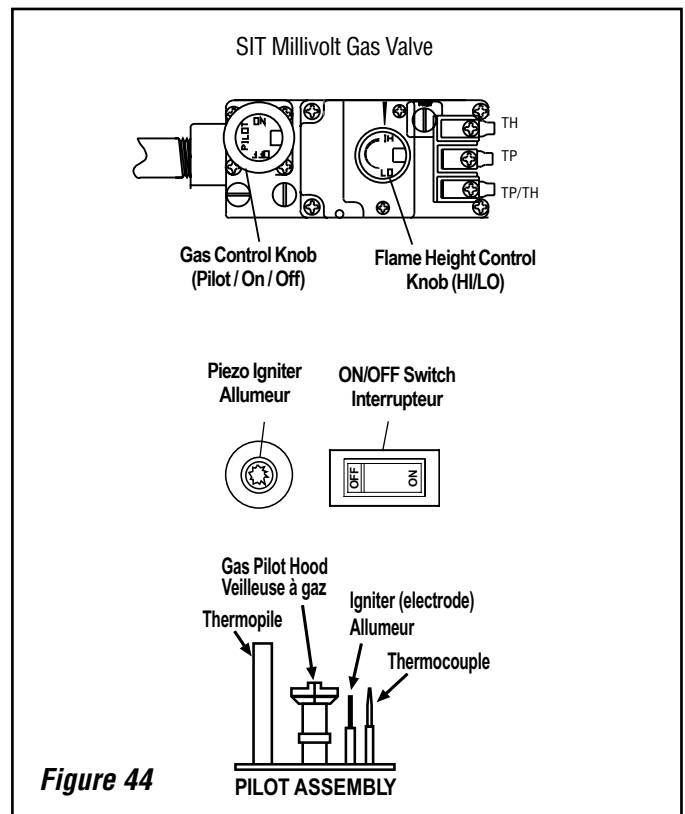


Figure 44

## Flame Color and Behavior

Your Ravelle™ 42 gas fireplace is designed for maximum heating efficiency. Therefore, upon lighting of the main burner the flames will be semi-transparent or "bluish." After 10-20 minutes of operation the logs will heat up and the flames will become a yellow/orange color.

Adjusting the fireplace to cause the flames to turn orange sooner may result in poor combustion, sooting and a hazardous situation. See **Figure 45** showing proper flame appearance.

When testing for proper operation - If an optional thermostat is installed adjust it to its highest temperature setting. Visually determine that main burner gas is burning properly: i.e., no floating, lifting or flashback. Adjust the primary air shutter(s) as required. Check for proper main burner operation at both high and low flame.

## Burner Flame Appearance

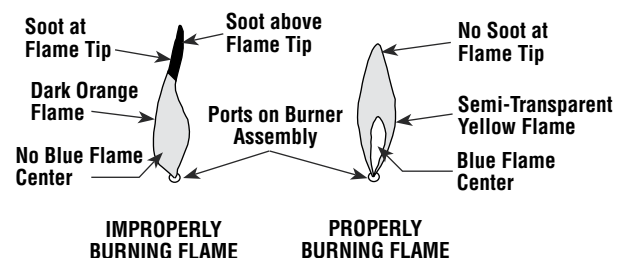


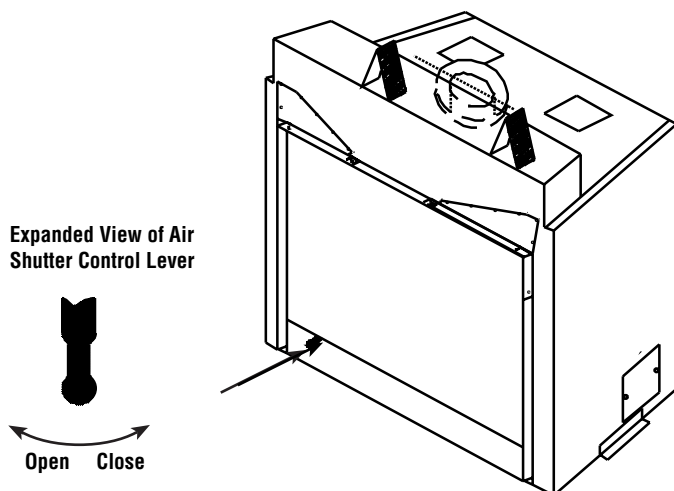
Figure 45

NOTE: DIAGRAMS & ILLUSTRATIONS ARE NOT TO SCALE.

## Air Shutter Adjustment

The Ravelle™ 42 gas fireplace has an air shutter control lever located at the upper left corner beneath the firebox (see **Figure 46**). The lever is linked to the primary air shutter on the main burner. The air shutter regulates the amount of primary air the burner receives and therefore how clean the fireplace burns. The air shutter should only be adjusted by a qualified gas technician. The fireplace should burn for about 15 minutes with the logs installed before adjusting the air shutter. Moving the lever to the left will open the shutter and turn the flames more transparent and blue. Moving the lever to the right will close the shutter and turn the flames more orange.

**CAUTION:** The air shutter should never be set so as to make the tips of the flames sooty or create sooting on the viewing glass, logs, or heat exchanger. If soot begins to form after burning, the air shutter should be opened gradually until the sooting condition stops. Gas quality and gas pressure may vary which can affect the burning characteristics of the fireplace.



**Figure 46**

## Paint Curing

This fireplace has been painted with a high temperature metallic paint. It leaves the factory dry to the touch, but completes the curing process as the fireplace is used. To cure the paint, burn the appliance four successive times for 10 minutes each time with a five minute cool down between each firing. Also some parts of the appliance may be lightly coated with machining oil. Ventilate the house during these first firings as the paint and oil give off unpleasant odors. It is recommended that persons sensitive to an imbalance in the indoor air quality avoid the fireplace during the curing process.

## Quiet Operation

As the Ravelle 42 gas fireplace is burning a number of normal operational sounds may be heard. The flow of gas through the gas valve and orifice may make a rushing or whistling noise. If this noise is objectionable, it can be reduced by turning down the flame. Turning down the flame can reduce total heat output by more than 30%. When the blower turns on, the sound of rushing air may be heard. The blower sounds may be reduced by adjusting the speed control located behind the lower door. Also, a slight clicking sound may be heard as the gas valve or blower switch turn on and off.

## Blower Operation

Your Ravelle 42 gas fireplace comes equipped with a 200 CFM blower with a variable speed control and an automatic temperature activated on/off snap switch.

### Operation:

1. After the fireplace warms up, a heat activated switch will turn on the fan. A fan speed control is located behind the lower door. The speed control has an off position and the knob can be rotated to set the fan at the desired speed. The fan will not operate until the fireplace is warm.
2. Once the fan turns on, set the speed control knob to the desired speed. No further adjustment is necessary, the fan will turn on and off automatically whenever the fireplace is warm.
3. If you do not wish to have the fan on, turn the speed control knob until it clicks to the "OFF" position.

## Optional Wall Thermostat

If an optional wall thermostat is to be installed, install the thermostat per the manufacturers instructions (provided with the thermostat). Failure to follow manufacturers instructions could result in a malfunction. Pay special attention to the thermostat location requirements. If the location requirements are not adhered to the appliance, erratic operation or failure may occur.

Do not mount the thermostat where it may be affected by:

- Radiant heat from this appliance, fireplaces, sun or other heat sources.
- Drafts or dead spots behind doors or in corners.
- Hot or cold air from ducts.

## Operating Options

Your Ravelle™ 42 gas fireplace comes equipped with an “On/Off” rocker switch used to turn the burner on and off while the pilot light is on. The switch is a round rocker switch located behind the lower door of the fireplace’s face.

A wall-mounted switch, a millivolt wall thermostat, or a remote control can be used to supplement the rocker switch. The gas valve is powered by millivolts generated by the pilot assembly. This millivolt system is very sensitive to electrical resistance, therefore make sure all connections are tight, clean and free from corrosion. Do not splice any millivolt wires. Consult the table on this page to determine the proper gage of wire for the thermostat or wall switch connections. This table refers to the total length of the wire (out to the switch and back). The thermostat must be a millivolt type. A 24-volt furnace thermostat will not work. Never hook up household current - 120 Volts - to the millivolt system. It is not recommended to hook up any more than two switches to the fireplace (for example a rocker switch and a wall thermostat). Additional switches may affect the system resistance and increase the chance of the burner not igniting.

Follow the instructions included with the thermostat or remote control for wiring. The thermostat, remote control and rocker switch will turn the burner on and off independently. Be sure to set the rocker switch to the “Off” position when using the thermostat or remote control and set the thermostat or remote control to the lowest temperature when you wish to use the rocker switch only, otherwise one may override the other.

Thermostat Wire	
Wire Size	Maximum Length
12 Gage	100 Feet
14 Gage	64 Feet
16 Gage	40 Feet
18 Gage	25 Feet
20 Gage	16 Feet

## Millivolt Control System

This fireplace operates on a millivolt control system. As such, no additional power supply is needed for the fireplace to heat. The pilot assembly contains a thermocouple, that when heated by the pilot flame, generates electricity (millivolts-  $mV=1/1000$  of a volt) which opens a valve allowing gas to flow to the pilot assembly. The pilot assembly also contains a thermopile, that when heated by the pilot flame, generates electricity that flows to terminal #1 (labeled THTP) on the gas valve. When the electricity is conducted from terminal #1 through the on/off switch, thermostat, or receiver of the remote control to terminal #3 (labeled TH) on the gas valve, the main burner will ignite.

## Millivolt Control Schematic

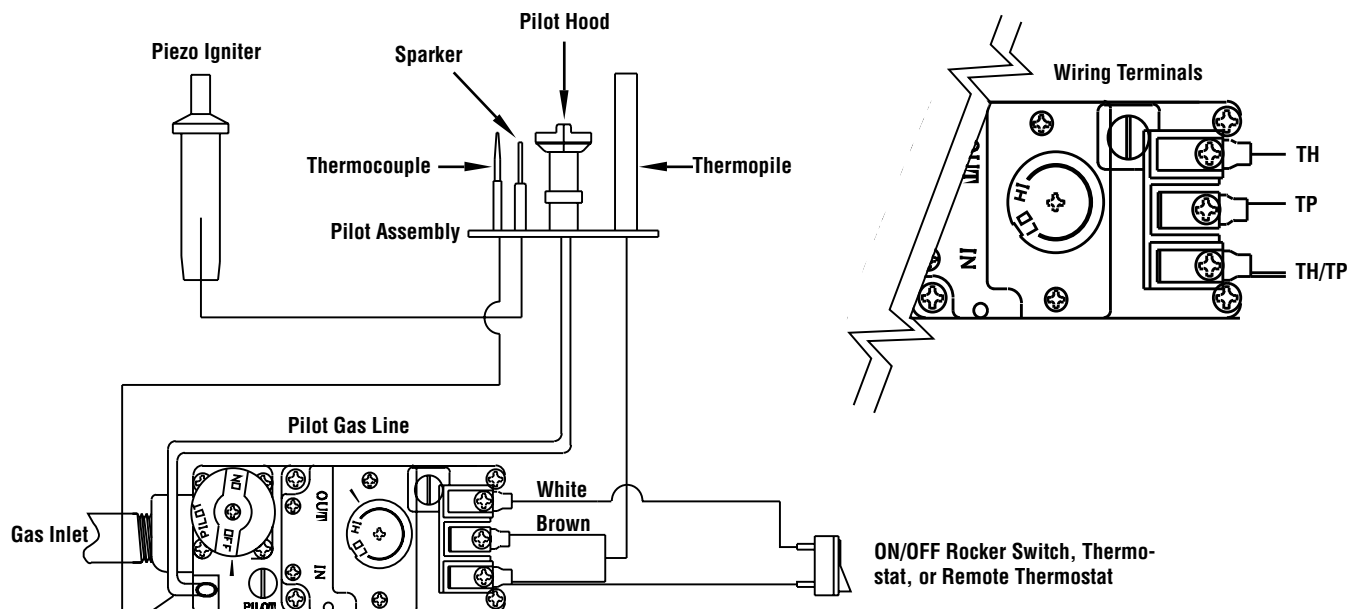


Figure 47

NOTE: DIAGRAMS & ILLUSTRATIONS ARE NOT TO SCALE.



## MAINTENANCE AND SERVICING

### Maintenance Checklist

The following should only be performed by a qualified service technician.

**CAUTION:** Label all wires prior to disconnection when servicing controls. Wiring errors can cause improper and dangerous operation. Verify proper operation after servicing.

#### 1. Annual inspection should be made and the following checks performed:

- When unit is cool, glass viewing door and inspect burner for dirt, soot and lint accumulations and remove if necessary. If excessive soot accumulation is present on burner, have a qualified service technician adjust the burner for proper combustion.
- Clean inside of glass with gas fireplace glass cleaner. NEVER attempt to remove or clean the glass when the unit is hot.
- Check the hot air outlet vents for lint or other accumulations. Never block or restrict vent openings, obstruct flow of ventilation air, or use vents other than those approved for use with this appliance.
- Check that direct vent pipe, air intake and flue are open and free of soot, blockage, or debris.
- Check gaskets once a year. Gaskets must be tight. Replace if necessary.
- Inspect the pilot system for proper flame. NEVER ADJUST THE PILOT until after the gas pressure has been checked and supply lines have been completely bled (this may take an hour or more when bleeding through the pilot). All pilots are checked and burned at the factory prior to shipment. The pilot adjustment screw is located to the upper right of the flame height control knob. Adjust the pilot screw to properly size the flames. Flames should completely surround the thermopile and thermocouple and extend across the main burner tube ports. Be careful not to back the screw out of its threads. Check for gas leaks using a gas leak test solution.
- Check that the area around the fireplace is kept clear and is free of combustible materials, gasoline and other flammable vapors and liquids.
- Check the millivolt system as per the table on this page.

#### 2. The viewing glass should be cleaned periodically (see Glass Maintenance).

#### 3. Should repairs or maintenance of the fireplace require the disassembly of the vent/air intake system, the reassembly and resealing should be completed by a qualified service technician and follow the instructions on Page 16 of this manual.

Millivolt and System Checks				
Check Test	To Test	Connect Meter Leads to Terminals	Thermostat Connects	Meter Reading Should Be
A	Complete System	2 & 3	Closed	100 MV or More
B	Thermopile Output	1 & 2	Open	Greater Than 325 MV
C	System Resistance	2 & 3	Closed	2.5 Ohms

### Proper Pilot Flame Appearance

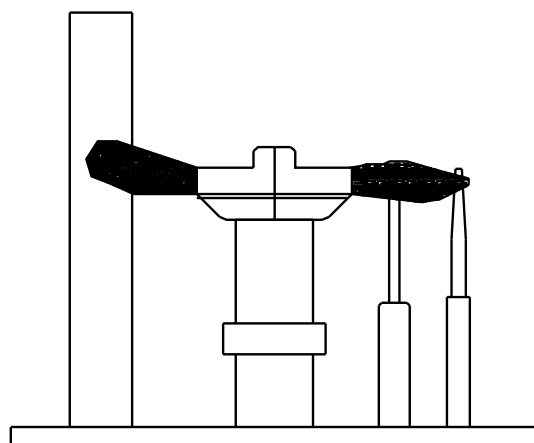


Figure 48

### Vent Pipe Maintenance

Conduct an inspection of the venting system semi-annually. Recommended areas to inspect are as follows:

1. Check areas of the venting system which are exposed to the elements for corrosion. These will appear as rust spots, streaks, or in extreme cases, holes. These components should be replaced immediately.
2. Remove the cap and shine a flashlight down the vent. Remove any bird nests or other foreign material.
3. Check for evidence of excessive condensate, such as water droplets forming in the inner liner and subsequently dripping out at joints. Continuous condensate can cause corrosion of caps, pipe and fittings. It may be caused by having excessive lateral runs, too many elbows, or exterior portions of the system being exposed to cold weather.
4. Inspect joints to verify that no pipe sections or fittings have been disturbed and consequently loosened. Also check mechanical supports such as wall straps or plumbers' tape for rigidity.

## Opening and Removing Door

**CAUTION:** Do not open the glass door when the fireplace is burning. Let the unit cool before opening the door. At the top of the glass door are two spring-loaded latches. While holding the door against the firebox, pull each latch forward and up - releasing the top of the glass door. To remove the door, grasp it firmly with both hands and lift it up so the two tabs at the bottom of the door are lifted out of their retaining slots. The glass door is quite heavy, so it is important to place it in a secure spot until reinstalled. To reinstall the door, the tabs at the bottom of the door must be inserted in the slots at the bottom of the firebox. The spring loaded latches must be pulled forward and down to apply pressure against the door.

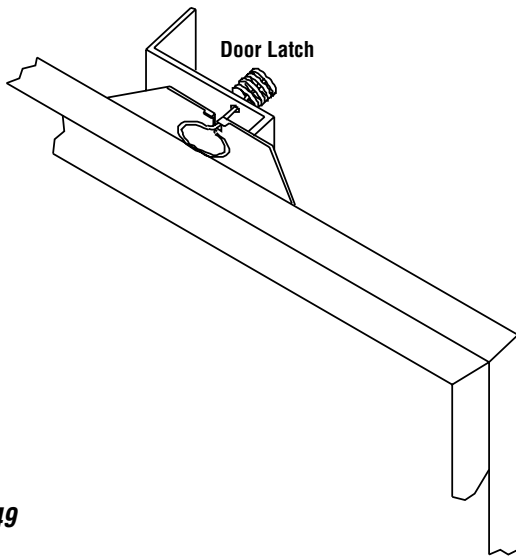


Figure 49

## Glass/Door Maintenance

**Cleaning:** When cool, the glass may be cleaned with a clean, soft cloth and a household glass cleaner. For cleaning white condensation from the interior glass use a gas fireplace glass cleaner available from your fireplace dealer. Use of caustic or abrasive cleaners may damage glass. Gold or nickel plated **doors** must be cleaned with a household glass cleaner or denatured alcohol and a soft cloth before firing or fingerprints and stains will remain permanently. Never use abrasive polish to clean the gold or nickel as it will ruin the finish. **DO NOT** operate fireplace with broken glass. **DO NOT** clean door or glass when hot. **DO NOT** abuse glass door by striking or slamming shut. **DO NOT** use substitute materials if replacing glass. **DO NOT** spray commercial glass cleaner with ammonia on the door and glass gasket as it may dissolve the gasket glue.

**WARNING:** Do not operate appliance with the glass panel removed, cracked, or broken. Do not remove the glass door while the fireplace is hot. Replacement of the glass door should be done by a qualified service technician.

**Glass Replacement:** The glass in the fireplace door cannot be replaced separately. Should the glass be damaged, the entire glass, gasket and frame assembly should be replaced as a unit. This replacement glass assembly is available from your Lennox Hearth Products dealer. The glass is neo-ceramic and alternative types must not be used.

## Blower Removal

Disconnect the power supply at the household electrical panel prior to blower removal. The blower can be accessed through the lower door on the fireplace face.

**CAUTION:** Label all wires prior to disconnection when servicing controls. Wiring errors can cause improper and dangerous operation. Verify proper operation after servicing.

See the fan wiring diagram on **Page 22** for reference. The blower is located at the rear of the open area beneath the firebox. (During installation of the fireplace, if the gas line was fed in from the right side it will now need to be removed). To remove the blower, disconnect the wiring by pulling the two spade connectors loose at the blower motor. The blower rests on two pins - one located at each end of the blower. Grasp the blower assembly at each end and pull the blower forward off the two pins. (If the blower assembly is pulled from the center, it may distort the assembly). The blower can then be carefully pulled out from under the fireplace. To install the blower repeat the steps in the reverse order. There is a rubber grommet at each end of the blower assembly which slides over the pins supporting the blower. Make sure these grommets are in place when reinstalling the blower.

## Fuel Conversion

Converting the Ravelle™ 42 gas fireplace between natural gas and LP can be accomplished by either changing the cassette (valve and pilot assembly) or installing a conversion kit (regulator, burner orifice and changing the orifice position on the pilot). Only a qualified service technician should perform the conversion.

## Cassette Removal:

1. Be sure the gas supply is shut off and the fireplace electrical supply is shut off at the electrical panel before beginning the conversion. Disconnect the gas supply from the fireplace, being careful not to apply pressure to the valve in the process.
2. Remove the log set and brick panels (see Brick Panel and Log Set Installation).
3. Remove the two allen head screws at the left and right rear of the firebox securing the burner support. Lift out the burner and burner support.
4. Remove the two allen head screws holding the burner in place.
5. Remove the labeled cover through which the valve control knobs protrude by removing the two allen head screws securing it and slide it off the valve knobs.
6. Mark and disconnect wires on valve terminals #1 and #3 connected to the burner on/off switch, thermostat, or remote control.
7. Remove all the allen head screws (around the perimeter of the cassette panel) fastening the cassette to the firebox.
8. Grasp the cassette assembly from inside the firebox and pull it into the firebox and out of the fireplace.
9. Install new, converted, or serviced cassette in the reverse order of removal. Replace gasket if necessary.
10. All parts and wires must be correctly reinstalled to ensure safe and proper operation of the unit.

## Conversion Kit:

Please see instructions provided with conversion kit.

## TROUBLESHOOTING

**NOTE:** When troubleshooting the gas control system, be sure the external gas shut off valve, located at the gas supply inlet is in the "ON" position.

**IMPORTANT:** Call your gas supplier or plumber for additional help with any gas control problem. Valve system troubleshooting should only be accomplished by a qualified service technician.

SYMPTOM	PROBABLE CAUSE	CORRECTIVE ACTION
Thin black coating (soot) forms on the viewing glass, logs, or firebox	Improper log or ember placement  Improper air shutter setting  Not enough combustion air	See <b>Log Set Installation on Page 21</b> . If there is soot in one specific location, the rockwool below this location needs to be adjusted. This can be done by pulling embers forward slightly. If the flames have soot tails, the shutter will need to be opened.  If sooting continues open air shutter (see <b>Air Shutter Adjustment on Page 31</b> ).  Check for debris obstructing air flow in valve compartment under fireplace or in front of lower venting.
Humming or whistling coming from fireplace.	Normal operating noise  Obstructed orifice opening	See <b>Quiet Operation on Page 31</b> . The noise may be reduced by slightly turning down the flame. Turning the flame down will reduce the heat output of the fireplace.  If noise is excessive or is "whistling" have your gas supplier check the regulator and orifices and replace if necessary.
A change in flame appearance or burner operation.	A change in gas pressure  Improper log, ember or volcanic stone placement	Have your gas supplier check for correct gas pressure (7" W.C. / po. C.E. [1.74 kPa] natural gas; 11" W.C. / po. C.E. [2.74 kPa] LP gas). <b>NOTE: NEVER BLOCK OR OBSTRUCT AIR INTAKE OR OUTLET VENTS.</b>  See <b>Log Set Installation on Page 21</b> .
Spark igniter will not light pilot after repeated tries.	No gas supplied to unit or air in line  Defective igniter (no spark at electrode)  Defective or misaligned electrode at pilot (spark at electrode)	Check gas supply. To purge, hold in gas cock on valve for 1-2 minutes and try again.  Check for spark at electrode and pilot, if no spark and electrode wire is properly connected, replace igniter and igniter wire.  Using a match, light pilot. If pilot lights, turn off pilot and trigger the igniter again. If pilot lights, an intermittent gas/air supply may be the problem, if longer purge will not light - check gap between electrode and pilot - should be 1/8 inch (3 mm) to have a strong spark. If OK, replace pilot.
Pilot will not stay lit after carefully following lighting instructions.	Low gas inlet pressure  Defective thermopile  Defective automatic valve operator	Check inlet pressure and adjust pilot if necessary.  Be sure wire connections from thermopile are tight at gas valve terminals.  Either rocker switch or thermostat wires may be grounded. Remove wires from valve terminals. If pilot stays lit, trace switch wiring for a ground. May be grounded to fireplace or gas supply.  Check open circuit millivolt output of thermopile. Reading should be greater than 325mV. Also check thermopile wire for kinks that can cause loss of mV. Replace faulty thermopile if wire is okay and reading is less than 325mV.  Turn valve knob to "ON" and thermostat (if installed) to 90°. Millivolt meter should read greater than 100 mV. If reading is OK and burner does not turn on, replace gas valve (qualified service technician only).
Main burner will not burn.	Pilot has gone out  Rocker switch, thermostat, or wires defective  Thermopile may not be generating sufficient millivolts	See <b>Lighting Instructions</b> .  Disconnect rocker switch and thermostat wires at terminals 1 and 3 on valve. Jumper across from 1 to 3 with pilot lit. If burner comes on either rocker switch, thermostat, or wiring is not functioning.  Check thermopile with millivolt meter (see <b>Maintenance and Servicing</b> ), recheck symptom #2.

## REPLACEMENT PARTS - Ravelle™ 42 (RAVL42)

Contact an Authorized Lennox Hearth Products dealer to obtain any of these parts. Never use substitute materials. Use of non-approved parts can result in poor performance and safety hazards.

Part Number	Description
H3134	Cassette Assembly, NG (if LP, Also Requires 75064 Conversion Kit)
H6030	Burner Pan Assembly
H5922	Pilot Assembly (Convertible NG to LP)
H5942	Gas Control Valve NG (if LP, also Requires H5945 Regulator Kit)
H5943	Regulator NG
H5945	Regulator LP
H5928	Main Burner Orifice #30 NG
H5929	Main Burner Orifice #49 LP
H3121	Blower W/Mounting Brackets
H5875	Blower Snap Switch
H5742	Blower Speed Control (rheostat)
H5744	On/Off Switch
H3119	On/Off Switch Wires
H5745	Piezo Igniter
H3120	Electrical Harness W/Inner Plate
H5859	Log Set
H5863	Bag of Embers / volcanic stone
H5864	Bag of Rockwool
H3101	Firebox Door W/Glass
H3123	Flue Restrictor Plates W/Hardware

## ACCESSORIES

### Brick Panel Kits (ref. form #775269M)



Standard Tan Brick



Red Brick



Architectural Stone

Cat. No.	Model	Description
75353	RAVL42-STD-BRK	Standard Tan Brick
75354	RAVL42-ARCHSTONE	Architectural Stone
75356	RAVL42-RED-BRK	Red Brick

## Controls



Wall  
Thermostat

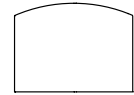


Deluxe  
Remote  
Control

H4635	DWTK	Wall Thermostat, Digital
H0251	RCL-STAT	Remote Control, RCL-STAT, Deluxe Thermostat DC (ref. form #750129M)

## MASONRY TEMPLATES (must be used if facing material exceeds stove body's built-in 1" template)

(ref. form #775209M)



Cat. No.	Model	Description
75098	MT-ARCH42	Arched Template
75101	MT-CLS42	Classic Template
75035	MT-FOUNDRY42	Foundry™ Template
H7201	MT-SCREEN42	Screen Template

## Misc.

75259	NP-RAVL30/42	Nail Plates (4 x 12) galvanized
75247	Reducer 8"-6 5/8"	Reducer (8" to 6-5/8")
75134	RAVL42-DUCTKT	Ductability Kit (ref. form #775272M)
75260	RAVL42-DHHS,	Dog House Heat Shield (for remote thermostat) (ref. form #775207M)

## Knobs

75169	Gold (set of 2)
75170	Brushed Nickel (set of 2)
75010	Black Nickel (set of 2)

## Gas Conversion Kits



75095	RAVL42-CK-LP to NG	Conversion Kit LP to NG (ref. form #775241M)
75064	RAVL42-CK-NG to LP	Conversion Kit NG to LP (ref. form #775250M)

**NOTE:** The form numbers referenced are the part numbers of the instruction sheets included in kits.

**Face Kits  
Arched**

(ref. form #775253M)



Cat. No.	Model	Description
75294	AIF42-BLK	Black Face, Arched
75296	AIF42-GOLD	Gold Face, Arched
75295	AIF42-NKL	Brushed Nickel Face, Arched
75297	AIF42-BKNKL	Black Nickel Face, Arched

**Face Kits  
Classic  
Required to  
Complete Face: Insets**

(ref. form #775253M)



Cat. No.	Model	Description
75290	CIF42-BLK	Black Face, Classic
75292	CIF42-GOLD	Gold Face, Classic
75291	CIF42-NKL	Brushed Nickel Face, Classic
75293	CIF42-BKNKL	Black Nickel Face, Classic

**Insets**

(ref. form #775253M)



75322	AI42-ASPEN-BLK	ASPEN Black
75324	AI42-ASPEN-GOLD	ASPEN Gold
75323	AI42-ASPEN-BRNKL	ASPEN Brushed Nickel
75325	AI42-ASPEN-BKNKL	ASPEN Black Nickel
75338	AI42-NAPA-BLK	NAPA Black
75340	AI42-NAPA-GOLD	NAPA Gold
75339	AI42-NAPA-BRNKL	NAPA Brushed Nickel
75341	AI42-NAPA-BKNKL	NAPA Black Nickel
75314	AI42-TUSCAN-BLK	TUSCAN Black
75316	AI42-TUSCAN-GOLD	TUSCAN Gold
75315	AI42-TUSCAN-BRNKL	TUSCAN Brushed Nickel
75317	AI42-TUSCAN-BKNKL	TUSCAN Black Nickel

**INSETS (Required -  
Includes 1 Top and  
1 Bottom Inset)**

(ref. form #775253M)



75326	CI42-ASPEN-BLK	ASPEN Black
75328	CI42-ASPEN-GOLD	ASPEN Gold
75327	CI42-ASPEN-BRNKL	ASPEN Brushed Nickel
75329	CI42-ASPEN-BKNKL	ASPEN Black Nickel
75318	CI42-NAPA-BLK	NAPA Black
75320	CI42-NAPA-GOLD	NAPA Gold
75319	CI42-NAPA-BRNKL	NAPA Brushed Nickel
75321	CI42-NAPA-BKNKL	NAPA Black Nickel
75342	CI42-TUSCAN-BLK	TUSCAN Black
75344	CI42-TUSCAN-GOLD	TUSCAN Gold
75343	CI42-TUSCAN-BRNKL	TUSCAN Brushed Nickel
75345	CI42-TUSCAN-BKNKL	TUSCAN Black Nickel

**Foundry™  
Face Kit**

(ref. form #775286M)



75124	FOUNDRYF-42	BLACK FACE/Black Nickel Hand-Hammered Straps
-------	-------------	--

**Screen Kit**

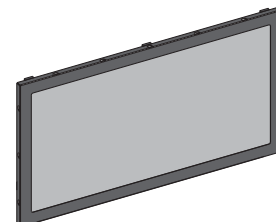
(ref. form #775289M)



75029	Screen Face/double Door/black, 43-1/4"W x 31-7/8"H
-------	--

**Barrier Screen Kit**

(ref. form # 506033-23)



H7723	RAV42-BS	Barrier Screen Kit
-------	----------	--------------------

NOTE: DIAGRAMS & ILLUSTRATIONS ARE NOT TO SCALE.

## SAFETY / LISTING LABEL - ENGLISH

Tested & Listed By  Portland Oregon USA  
OMNI-Test Laboratories, Inc.  
Report No. / Numéro de Rapport  
050-S-08c-5

MODEL MODÈLE **RAVELLE™ 42**

SERIAL NO. **RAVL42**

MANUFACTURED BY / FABRIQUÉ PAR:  
LENNOX HEARTH PRODUCTS  
PO BOX 987  
AUBURN, WA., USA 98071



FACTORY EQUIPPED FOR NATURAL GAS. IF CONTROL PANEL CONTRADICTS THIS LABEL, UNIT FUEL TYPE HAS BEEN CONVERTED.  
CET APPAREIL EST MUNI D'ÉQUIPEMENT POUR L'USAGE DU GAZ NATUREL. SI L'ÉTIQUETTE DU PANNEAU DES COMMANDES CONTREDIT CETTE ÉTIQUETTE, C'EST QUE LE TYPE DE CARBURANT DE CET APPAREIL A ÉTÉ CONVERTI.

### LISTED VENTED GAS FIREPLACE HEATER - NOT FOR USE WITH SOLID FUEL

TESTED TO ANSI Z21.88-2005/CSA 2.33-2005 "VENTED GAS FIREPLACE HEATERS", UL307b, CSA P4.1-02, AND CGA 2.17-M91.  
THIS APPLIANCE MUST BE INSTALLED IN ACCORDANCE WITH LOCAL CODES, IF ANY. IF NOT, FOLLOW THE CURRENT ANSI Z223.1/NFPA 54-LATEST EDITION (USA) OR CAN/CGA B149.1-LATEST EDITION (CANADA). THIS APPLIANCE MUST BE INSTALLED IN ACCORDANCE WITH THE MANUFACTURER'S INSTALLATION INSTRUCTION. FOR INSTALLATION IN SOLID FUEL BURNING FIREPLACES ONLY - MASONRY OR FACTORY BUILT. THIS VENTED GAS FIREPLACE HEATER IS NOT FOR USE WITH AIR FILTERS.  
THIS APPLIANCE IS ONLY FOR USE WITH THE TYPE OF GAS INDICATED ON THE RATING PLATE AND MAY BE INSTALLED IN AN AFTERMARKET, PERMANENTLY LOCATED, MANUFACTURED (MOBILE) HOME WHERE NOT PROHIBITED BY LOCAL CODES. SEE OWNER'S MANUAL FOR DETAILS. THIS APPLIANCE IS NOT CONVERTIBLE FOR USE WITH OTHER GASES UNLESS A CERTIFIED KIT IS USED. MAY BE INSTALLED IN RESIDENTIAL BEDROOMS.

DANGER: RISK OF ELECTRICAL SHOCK. DISCONNECT POWER BEFORE SERVICING UNIT.  
IF ELECTRICALLY CONNECTED, CONNECTIONS AND GROUNDING MUST BE IN ACCORDANCE WITH LOCAL CODES, IF ANY. IF NOT, FOLLOW THE CURRENT NATIONAL ELECTRICAL CODE ANSI/NFPA 70-LATEST EDITION (USA) OR CSA C22-1-LATEST EDITION (CANADA).

#### MINIMUM CLEARANCES TO COMBUSTIBLES IN INCHES

Front corners to enclosure (from stand-offs)	0	Hearth Extension - not required but recommended	0
Back to enclosure (from stand-offs)	0	Rear corners to enclosure (from stand-offs)	0
Top to header (from stand-offs)	0	Base of unit to mantel	47-5/8
Bottom of unit to floor	0	Base of unit to top trim/facing	41-5/8
Side trim or wall to edge of door glass	7.5		

See owner's manual for additional clearance information on mantels and direct vent pipe.

	NG	LP	Minimum Inlet Pressure (in. WC)	NG	LP
Input Rate on "HI" (BTU/H)	42,000	36,000		5	11
Input Rate on "LO" (BTU/H)	29,500	25,000	Manifold Pressure on "HI" (in. WC)	3.5	10
Orifice Size (DMS)	#30	#49	Manifold Pressure on "LO" (in. WC)	1.7	5.1

Blower Electrical Rating: 120 VAC, 60 Hz, Less Than 2 Amps

\*Unit factory equipped for 0-2000 ft/0-610 m, in Canada 0-4500 ft/0-1370 M. For altitudes above 2,000 ft/610m (in Canada 4500 ft/1370m) de-rate the appliance by four (4)% for every 1,000 ft (405 m).

See owner's manual for instructions on changing cassette/valve assembly.

**CAUTION:** HOT WHILE IN OPERATION. DO NOT TOUCH. SEVERE BURNS MAY RESULT. KEEP CHILDREN, CLOTHING, FURNITURE, GASOLINE AND OTHER LIQUIDS HAVING FLAMMABLE VAPORS AWAY. KEEP BURNER AND CONTROL COMPARTMENT CLEAN. SEE INSTALLATION AND OPERATING INSTRUCTIONS ACCOMPANYING APPLIANCE. FOR USE WITH GLASS DOORS CERTIFIED WITH THIS APPLIANCE ONLY. DO NOT OPERATE THE APPLIANCE WITH GLASS REMOVED, CRACKED OR BROKEN. REPLACEMENT OF THE PANEL(S) SHOULD BE DONE BY A LICENSED OR QUALIFIED PERSON.

WARNING: IMPROPER INSTALLATION, ADJUSTMENT, ALTERATION, SERVICE OR MAINTENANCE CAN CAUSE INJURY OR PROPERTY DAMAGE. REFER TO THE OWNER'S INFORMATION MANUAL PROVIDED WITH THIS APPLIANCE. FOR ASSISTANCE OR ADDITIONAL INFORMATION CONSULT A QUALIFIED INSTALLER, SERVICE AGENCY OR GAS SUPPLIER.

#### DATE OF MANUFACTURE

2009	2010	2011	2012	JAN	FEB	MAR	APR	MAY	JUN	JUL	AUG	SEP	OCT	NOV	DEC
<input type="checkbox"/>	<input type="checkbox"/>	<input type="checkbox"/>	<input type="checkbox"/>	<input type="checkbox"/>	<input type="checkbox"/>	<input type="checkbox"/>	<input type="checkbox"/>	<input type="checkbox"/>	<input type="checkbox"/>	<input type="checkbox"/>	<input type="checkbox"/>	<input type="checkbox"/>	<input type="checkbox"/>	<input type="checkbox"/>	<input type="checkbox"/>

Part No / No. pièce #36202 Rev. A, 06/2007

DO NOT REMOVE OR COVER THIS LABEL

IGN

## SAFETY / LISTING LABEL - FRENCH

Tested & Listed By  Portland Oregon USA  
OMNI-Test Laboratories, Inc.  
Report No. / Numéro de Rapport  
050-S-08c-5

MODEL MODÈLE **RAVELLE™ 42**

SERIAL NO. **RAVL42** Le numéro de série est indiqué dans la section anglophone de cette étiquette

MANUFACTURED BY / FABRIQUÉ PAR:  
LENNOX HEARTH PRODUCTS  
PO BOX 987  
AUBURN, WA., USA 98071



CET APPAREIL EST MUNI D'ÉQUIPEMENT POUR L'USAGE DU GAZ NATUREL. SI L'ÉTIQUETTE DU PANNEAU DES COMMANDES CONTREDIT CETTE ÉTIQUETTE, C'EST QUE LE TYPE DE CARBURANT DE CET APPAREIL A ÉTÉ CONVERTI.

### HOMOLOGUÉ FOYER RADIANT PRÉFABRIQUÉ AU GAZ - INSERTION DE FOYER AU GAZ - NE PAS UTILISER AVEC DU COMBUSTIBLE SOLIDE

TESTÉ SELON LA NORME ANSI Z21.88-2005/CSA 2.33-2005 «FOYER RADIANT AU GAZ», UL307B, CSA P4.1-02, ET CGA 2.17-M91.  
CET APPAREIL DOIT ÊTRE INSTALLÉ CONFORMÉMENT AUX EXIGENCES DES CODES RÉGIONAUX ET DU CODE D'INSTALLATION ANSI/NFPA 54-DERNIÈRE ÉDITION (ÉTATS-UNIS), OU CAN/CGA-B149.1-DERNIÈRE ÉDITION (CANADA). CET APPAREIL DOIT ÊTRE INSTALLÉ SELON LES DIRECTIVES D'INSTALLATION DU FABRICANT. POUR INSTALLATION DANS DES FOYERS À COMBUSTIBLE SOLIDE SEULEMENT - DE MAÇONNERIE OU PRÉFABRIQUÉ EN USINE. CE FOYER RADIANT AU GAZ À ÉVACUATION N'EST PAS CONÇU POUR ÊTRE UTILISÉ AVEC DES FILTRES À AIR. CET APPAREIL DOIT ÊTRE UTILISÉ AVEC LE TYPE DE GAZ INDICÉ SUR LA PLAQUE SIGNALÉTIQUE ET PEUT ÊTRE INSTALLÉ DANS UNE MAISON PRÉUSINÉE OU DANS UNE MAISON MOBILE FIXE. LÀ OÙ LES CODES RÉGIONAUX LE PERMETTENT. VOIR LE MANUEL D'ENTRETIEN POUR PLUS DE DÉTAILS. CET APPAREIL NE PEUT PAS ÊTRE CONVERTI POUR L'USAGE AVEC D'AUTRES TYPES DE GAZ À MOINS D'UTILISER UNE TROUSSE DE CONVERSION HOMOLOGUÉE.

DANGER: RISQUE DE CHOC ÉLECTRIQUE. DÉBRANCHEZ L'APPAREIL AVANT D'EN FAIRE L'ENTRETIEN.  
SI L'APPAREIL REQUIERT UN BRANCHEMENT ÉLECTRIQUE, LES RACCORDEMENTS ET LA MISE À LA TERRE DOIVENT ÊTRE CONFORMES AUX EXIGENCES DES CODES RÉGIONAUX ET DU CODE D'INSTALLATION ANSI/NFPA 70 OU CSA C22-1.

#### DÉGAGEMENTS AUX COMBUSTIBLES - EN POUÇES (MILLIMÈTRES)

Coins avant au caisson (depuis les espaceurs)	0 (0mm)	Extension d'âtre - Prolongement de l'âtre - Non requis mais recommandé	
Du dos au caisson (depuis les espaceurs)	0 (0mm)	Côtés arrière au caisson (depuis les espaceurs) - 0 (0mm)	
Du dessus au support (depuis les espaceurs)	0 (0mm)	De la base de l'unité au manteau - 47-5/8" (1210mm)	
Du fond de l'unité au plancher	0 (0mm)	De la base de l'unité à la finition/ façade du dessus - 41-5/8" (1057mm)	
De la finition du côté ou du mur au bord de la vitre	7-1/2 (191mm)		

Voir le manuel d'installation pour plus d'informations sur les dégagements requis au manteau, conduits direct-vent et prolongement de l'âtre.

#### SPÉCIFICATIONS

	NG	LP		NG	LP
Entrée Max/min BTU/hr 0-4500 Pi (0-1370 M)*	42,000	36,000	Pression Minimum D'entrée Du Gaz (IN. WC/C.E.)	5	11
Entrée Minimum BTU/hr 0-4500 Pi (0-1370 M)*	29,500	25,000	Pression À La Sortie - HI (IN. WC/C.E.)	3.5	10
Orifice (DMS)*	#30	#49	Pression À La Sortie - LO (IN. WC/C.E.)	1.7	5.1

Spécifications Électrique 120 Vca, 60 Hz, Moins De 2 Ampères

\*En altitude, au-delà de 2000 pi/610 m, (au Canada 0-4500 pi/0-1370m) la capacité énergétique de l'appareil diminue de quatre (4)% pour chaque 1000 pi (405 m).

Référez-vous au manuel d'instructions du propriétaire pour changer le bloc d'assemblage de la valve.

**DANGER:** CET APPAREIL DÉGAGE DES TEMPÉRATURES ÉLEVÉES ET DEVRAIT ÊTRE INSTALLÉ À L'ÉCART DES ENDROITS TRÈS PASSANTS ET LOIN DES MEUBLES ET RIDEAUX. SURVEILLEZ LES ENFANTS QUI SE TROUVENT DANS LA PIÈCE. GARDEZ LA ZONE AUTOUR DU FOYER EXEMPTÉ DE MATÉRIAUX COMBUSTIBLES, D'ESSENCE ET AUTRES VAPEURS ET LIQUIDES INFLAMMABLES. MAINTENEZ LE BRÛLEUR ET LE BÔTIER DES COMMANDES PROPRE EN TOUT TEMPS. VOIR LES MANUELS D'INSTALLATION ET D'ENTRETIEN QUI ACCOMPAGNENT L'APPAREIL. SEUL LE PANNEAU VITRE FOURNI PAR LE MANUFACTURIER PEUT ÊTRE UTILISÉ AVEC CET APPAREIL. EN AUCUN CAS, L'APPAREIL NE PEUT ÊTRE UTILISÉ SANS LA VITRE OU AVEC LA VITRE BRISÉE. LE REMPLACEMENT DE LA VITRE DOIT ÊTRE EFFECTUÉ PAR UN TECHNICIEN DE SERVICE QUALIFIÉ.

AVERTISSEMENT: UNE INSTALLATION INADÉQUATE DE MÊME QU'UN AJUSTEMENT, UNE MODIFICATION, UNE RÉPARATION OU UN ENTRETIEN INCORRECTS PEUVENT CAUSER DES BLESSURES OU DOMMAGES À LA PROPRIÉTÉ. RÉFÉREZ-VOUS AU MANUEL D'ENTRETIEN LIVRÉ AVEC CET APPAREIL. POUR DE L'ASSISTANCE, CONSULTEZ UN INSTALLATEUR QUALIFIÉ, UNE ENTREPRISE DE SERVICE OU UN FOURNISSEUR DE GAZ.

Le date de fabrication est indiquée dans la section anglophone de cette étiquette

No. pièce #36264 Rev. A, 06/2007

N'ENLEVEZ PAS OU NE COUVREZ PAS CETTE ÉTIQUETTE

IGN 07-2554

## LIGHTING LABEL - ENGLISH

### FOR YOUR SAFETY READ BEFORE OPERATING

**WARNING:** IF YOU DO NOT FOLLOW THESE INSTRUCTIONS EXACTLY, A FIRE OR EXPLOSION MAY RESULT CAUSING PROPERTY DAMAGE, INJURY OR LOSS OF LIFE.

**CAUTION:** HOT WHILE IN OPERATION. DO NOT TOUCH. KEEP CHILDREN, FURNITURE, GASOLINE AND OTHER LIQUIDS WITH FLAMMABLE VAPORS AWAY. NEVER OPERATE UNIT WITH GLASS DOOR OFF OR ATTEMPT TO OPEN THE DOOR WHILE HOT.

- This appliance is equipped with a piezo ignition device to light the pilot. When lighting the pilot, follow these instructions exactly.
- BEFORE LIGHTING**, smell around the appliance area for gas. Be sure to smell next to the floor because some gas is heavier than air and will settle on the floor.

#### WHAT TO DO IF YOU SMELL GAS:

- DO NOT try to light the appliance.
  - DO NOT touch any electric switch; do not use any phone in the building.
  - Immediately call your gas supplier from a neighbor's phone. Follow the gas supplier's instructions.
  - If you cannot reach your gas supplier, call the fire department.
- Use only your hand to push in or turn the gas control knob. Never use any tool. If the knob will not push in or turn by hand, don't try to repair it, call a qualified service technician. Force or attempted repair may result in a fire or explosion.
  - DO NOT use this appliance if any part has been under water. Immediately call a qualified service technician to inspect the appliance and to replace any part of the control system and any gas control which has been under water.

## OPERATING INSTRUCTIONS

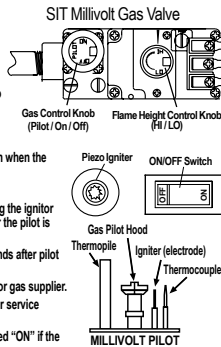
**CAUTION:** YOUR LENNOX™ GAS APPLIANCE MUST ALWAYS BE OPERATED WITH GLASS DOOR IN PLACE.

**STOP!** Read the safety information above before proceeding.

- Open the lower access door. Make sure gas supply shut-off cocks are open and ON/OFF Rocker Switch is "OFF". If equipped with a thermostat, set it to the lowest setting.
- Turn off all electrical power to the appliance.
- Push in Gas Control Knob slightly and turn clockwise to "OFF".

NOTE: Knob cannot be turned from "PILOT" to "OFF" unless Knob is pushed in slightly. Do not force.

- Wait five (5) minutes to clear out any gas. If you smell gas, STOP! Follow "B" above. If you don't smell gas continue.
- Locate the pilot by looking through the "V" in the left front lower log. Blue flame will be seen when the pilot is lit.
- Turn the gas control knob counterclockwise to the "PILOT" position.
- Push the knob all the way in and hold in that position. Immediately light the pilot by pressing the ignitor button several times until pilot is lit. Continue to hold the knob in for about 30 seconds after the pilot is lit. Release knob and it will pop back out.
- Pilot should remain lit. If it goes out, repeat steps 4-8 holding knob in an additional 15 seconds after pilot is lit.
- If knob does not pop out when released, stop and immediately call your service technician or gas supplier.
- If the pilot will not stay lit after several tries, turn the gas control knob to "OFF" and call your service technician or your gas supplier.
- After pilot is lit, turn gas control counterclockwise to "ON". Knob can only be turned "ON" if the knob has popped out.
- To turn burner on, turn "ON/OFF" rocker switch to "ON" or set the thermostat to the desired temperature above room temperature.
- Adjust the flame height (and heat output) by turning the flame height knob clockwise for reduced flame and counterclockwise for full flame.
- Set the blower to the desired air flow after it turns on when the appliance reaches operating temperature.



## TO TURN OFF GAS TO APPLIANCE

- Turn off the "ON/OFF" rocker switch and/or thermostat (if installed).
- Turn off electric power to the appliance if service is to be performed.
- Turn gas control knob clockwise to "OFF". Do not force.

This appliance needs fresh air for safe operation and must be installed so there are provisions for adequate combustion and ventilation air. See Installation and Operation Manual accompanying appliance.

**WARNING:** Improper installation, adjustment, alteration, service or maintenance can cause injury or property damage. For assistance or additional information, consult a qualified installer, service agency or your gas supplier.

Operation of this appliance when not connected to a properly installed and maintained venting system can result in carbon monoxide (CO) poisoning and possible death.

## SHUTDOWN PROCEDURE

- To turn off the burner, switch the rocker switch to "OFF" or adjust the thermostat to a setting below room temperature (if installed). The pilot will remain lit for future burner ignition.

#36202 Rev. A, 06/2007

For complete shutdown: See "TO TURN OFF GAS TO APPLIANCE" above.

IGN

## LIGHTING LABEL - FRENCH

### POUR VOTRE SÉCURITÉ, LIRE AVANT L'ALLUMAGE

**AVERTISSEMENT:** SI VOUS NE RESPECTEZ PAS RIGOREUSEMENT LES INSTRUCTIONS CI-DESSOUS, VOUS POURRIEZ ENCOURIR UN RISQUE D'INCENDIE ET/OU D'EXPLOSION QUI POURRAIENT CAUSER DES DOMMAGES MATÉRIELS ET CORPORELS POUVANT ENTRAÎNER LA MORT.

**DANGER:** CET APPAREIL DÉGAGE DES TEMPÉRATURES ÉLEVÉES ET DEVRAIT ÊTRE INSTALLÉ À L'ÉCART DES ENDROITS TRÈS PASSANTS ET LOIN DES MEUBLES ET RIDEAUX. GARDEZ LA ZONE AUTOUR DU FOYER EXEMPTÉ DE MATÉRIELS COMBUSTIBLES, D'ESSENCE ET AUTRES VAPEURS ET LIQUIDES INFLAMMABLES.

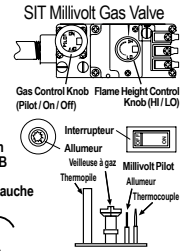
- Cet appareil utilise un système d'allumage par étincelle (allumeur Piézo-électrique) pour allumer la veilleuse. Assurez-vous de suivre rigoureusement les instructions d'allumage de la veilleuse.
  - AVANT D'ALLUMER L'APPAREIL**, assurez-vous qu'il n'y a pas d'odeur de gaz près de l'appareil ni près du sol car certains gaz plus lourds que l'air auraient tendance à s'y accumuler en cas de fuite.
- QUE FAIRE SI VOUS SENTEZ UNE ODEUR DE GAZ:**
- N'ALLUMEZ aucun appareil.
  - Né touchez aucune prise électrique; N'utilisez aucun téléphone dans votre édifice.
  - Sortez de la maison. À partir d'un autre endroit, appelez immédiatement votre fournisseur de gaz et suivez les directives.
  - S'il est impossible de joindre le distributeur de gaz, appelez les pompiers.
- N'utilisez aucun outil pour tourner ou pousser le dispositif de contrôle du gaz. Si vous ne pouvez le faire manuellement, n'essayez pas de réparer l'appareil. Appelez un technicien de service qualifié. Si vous tentez de forcer ou réparer le dispositif de contrôle du gaz vous pourriez encourir un risque d'incendie et/ou d'explosion.
  - N'utilisez pas cet appareil si une de ses composantes a été émergée dans l'eau. Appelez immédiatement un technicien de service qualifié et reconnu afin qu'il inspecte et remplace au besoin toutes pièces du système qui auraient été en contact avec l'eau.

## ALLUMAGE

**DANGER:** VOTRE APPAREIL AU GAZ LENNOX DOIT ÊTRE OPÉRÉ AVEC DES PORTES DE VERRE.

**ATTENTION!** Lisez les consignes de sécurité ci-dessous avant d'opérer votre appareil.

- Ouvrir la porte du bas. Assurez-vous que l'alimentation en gaz est à la position Fermée "OFF". Si l'appareil est équipé d'un thermostat, placez-le à la température la plus basse.
  - Couper le courant électrique qui alimente l'appareil.
  - Enfoncé légèrement le bouton de contrôle du gaz et tournez-le dans le sens des aiguilles d'une montre à la position "OFF".
- NOTE: Le bouton de contrôle du gaz ne peut être tourné de la position "PILOT" à "OFF" sans qu'une légère pression ne soit appliquée.
- Attendez au moins 5 minutes pour que le gaz qui se trouve dans la chambre de combustion puisse s'échapper. Si vous sentez une odeur de gaz ARRÊTEZ! Référez-vous à la section B ci-dessus. Si vous ne sentez pas d'odeur de gaz, allez à la prochaine étape.
  - Vous pouvez aussi voir le pilote en regardant à travers le V situé dans le bas de la bûche gauche avant. Une flamme bleue est visible lorsque la veilleuse est allumée.
  - Tournez le bouton de contrôle de gaz dans le sens inverse des aiguilles d'une montre pour le placer sur "PILOT".
  - Cet appareil de chauffage est équipé d'un système d'allumage par étincelle (allumeur Piézo-électrique), devant être utilisé pour l'allumage de la veilleuse. Poussez complètement le bouton de contrôle du gaz et le maintenir dans cette position. Appuyez immédiatement sur le bouton (allumeur Piézo-électrique) situé à gauche du robinet de contrôle du gaz. L'étincelle produite par l'allumeur Piézo-électrique doit allumer la veilleuse. Continuez à maintenir le bouton de contrôle dans cette position pendant environ 30 secondes après l'allumage de la veilleuse. Relâchez le bouton de contrôle du gaz qui reviendra à la position initiale. La veilleuse doit rester allumée. Répétez les étapes 4 à 8 pendant 15 secondes supplémentaires si la veilleuse s'éteint.
  - Si le bouton de contrôle du gaz ne revient pas à la position initiale une fois relâché, appeler immédiatement un technicien qualifié ou votre distributeur de gaz.
  - Si la veilleuse ne reste pas allumée après plusieurs essais, tournez le bouton de contrôle du gaz à la position "OFF" et appelez immédiatement un technicien qualifié ou votre distributeur de gaz.
  - Lorsque la veilleuse est allumée, tournez le bouton de contrôle du gaz dans le sens inverse des aiguilles d'une montre pour le placer à la position "ON". Le bouton de contrôle peut-être tourné à la position "ON" seulement si il n'est plus enfoncé.
  - Pour allumer le brûleur, mettre l'interrupteur à la position "ON" ou ajustez le thermostat à la température souhaitée.
  - Ajustez la flamme et la température souhaitée en tournant le bouton de réglage de la flamme dans le sens des aiguilles d'une montre pour l'abaisser et dans le sens contraire pour l'augmenter.
  - Ajustez le ventilateur au volume désiré lorsque l'appareil aura atteint la température de fonctionnement.



## POUR COUPER L'ALIMENTATION EN GAZ DE L'APPAREIL

- Fermez l'interrupteur et/ou le thermostat «MARCHE/ARRÊT».
- Coupez l'alimentation électrique de l'appareil si vous prévoyez en faire le service.
- Tournez le bouton de commande du gaz dans le sens des aiguilles d'une montre à "OFF". Ne le forcez pas.

Cet appareil a besoin d'air frais pour opérer sereinement et doit être installé pour qu'il y ait un apport en air suffisant. Référez-vous aux manuels d'entretien et d'installation fournis avec l'appareil.

**AVERTISSEMENT:** Une installation inadéquate, un mauvais ajustement, une altération ou toutes autres modifications inappropriées pourraient entraîner des blessures physiques et/ou des dommages matériels. Référez-vous au guide d'utilisation fourni avec ce foyer. Pour assistance ou information supplémentaires contactez un installateur qualifié, un agent de service ou un fournisseur de gaz.

Si vous opérez cet appareil sans qu'il ne soit correctement raccordé à un conduit d'évacuation, vous pourriez risquer d'être empoisonné au monoxyde de carbone (CO) ce qui pourrait entraîner des conséquences grave ou la mort.

## PROCÉDURE D'ARRÊT

- Pour arrêter le brûleur, mettre l'interrupteur à la position "OFF" ou ajustez le thermostat à une température en dessous de la température ambiante. La veilleuse restera allumée pour permettre un allumage ultérieur.

Pour un arrêt complet: Consultez la procédure ci-dessus «POUR COUPER L'ALIMENTATION EN GAZ DE L'APPAREIL».

No. pièce#36264 Rev. A, 06/2007

IGN 07-2554

## WARRANTY

Your gas fireplace is covered by a limited warranty (provided with appliance). Please read the warranty to be familiar with its coverage.

Retain this manual. File it with your other documents for future reference.

## PRODUCT REFERENCE INFORMATION

We recommend that you record the following important information about your appliance. Please contact your Lennox Hearth Products dealer for any questions or concerns. For the number of your nearest Lennox Hearth Products dealer, please call 1-800-9-LENNOX.

## REPLACEMENT PARTS

See **Page 36** for a complete replacement parts list. Use only parts supplied from the manufacturer.

Normally, all parts should be ordered through your Lennox distributor or dealer. Parts will be shipped at prevailing prices at time of order.

When ordering repair parts, always give the following information:

1. The model number of the appliance.
2. The serial number of the appliance.
3. The part number.
4. The description of the part.
5. The quantity required.
6. The installation date of the appliance.

If you encounter any problems or have any questions concerning the installation or application of this system, please contact your dealer.

## LENNOX HEARTH PRODUCTS

1110 West Taft Avenue

Orange, CA 92865

Visit us at [www.Lennox.com](http://www.Lennox.com)

Your Fireplace's Model Number \_\_\_\_\_

Your Fireplace's Serial Number \_\_\_\_\_

The Date On Which Your Fireplace Was Installed \_\_\_\_\_

Your Dealer's Name \_\_\_\_\_

Fuel Type (Check one)  Natural Gas  Propane Gas (LP)

NATIONAL  
FIREPLACE  
INSTITUTE



CERTIFIED  
[www.nficertified.org](http://www.nficertified.org)

We recommend that our gas hearth products be installed and serviced by professionals who are certified in the U.S. by the National Fireplace Institute® (NFI) as NFI Gas Specialists.

NATIONAL  
FIREPLACE  
INSTITUTE



CERTIFIED  
[www.nficertified.org](http://www.nficertified.org)

Nous recommandons que nos foyers au gaz soient installés et que l'entretien soit effectué par des professionnels certifiés par le National Fireplace Institute® (NFI). (Etats-Unis seulement)

Lennox Hearth Products reserves the right to make changes at any time, without notice, in design, materials, specifications, prices and also to discontinue colors, styles and products. Consult your local distributor for fireplace code information.

**LENNOX**<sup>TM</sup>

**HEARTH PRODUCTS**

1110 West Taft Avenue • Orange, CA 92865



## Free Manuals Download Website

<http://myh66.com>

<http://usermanuals.us>

<http://www.somanuals.com>

<http://www.4manuals.cc>

<http://www.manual-lib.com>

<http://www.404manual.com>

<http://www.luxmanual.com>

<http://aubethermostatmanual.com>

Golf course search by state

<http://golfingnear.com>

Email search by domain

<http://emailbydomain.com>

Auto manuals search

<http://auto.somanuals.com>

TV manuals search

<http://tv.somanuals.com>