

# OPERATION AND PARTS MANUAL



## Electric and Gasoline Surface Grinders Model DFG Series

Revision #4 (05/28/09)

To find the latest revision of this  
publication, visit our website at:  
[www.multiquip.com](http://www.multiquip.com)



**THIS MANUAL MUST ACCOMPANY THE EQUIPMENT AT ALL TIMES**



# WARNING



## **CALIFORNIA — Proposition 65 Warning**

Engine exhaust and some of its constituents, and some dust created by power sanding, sawing, grinding, drilling and other construction activities contains chemicals known to the State of California to cause cancer, birth defects and other reproductive harm. Some examples of these chemicals are:

- Lead from lead-based paints.
- Crystalline silica from bricks.
- Cement and other masonry products.
- Arsenic and chromium from chemically treated lumber.

Your risk from these exposures varies, depending on how often you do this type of work. To reduce your exposure to these chemicals: **ALWAYS** work in a well ventilated area, and work with approved safety equipment, such as dust masks that are specially designed to filter out microscopic particles.

## MULTIQUIP DFG SERIES SURFACE GRINDERS

Table Of Contents.....	3-4
Parts Ordering Procedures .....	6
Notice to Operators.....	7-8
Operator Instructional Data Sheet .....	9
Safety Precautions.....	10
Preparation .....	10-11
Operation .....	12-13
Maintenance, Repair and Storage.....	13-14
Assembly .....	15
Removing the SURFACE GRINDER from the Pallet .....	15
Installing the SSG24-1000 Safety and Dust Shield Assembly Kit.....	16
Before Starting the Engine.....	17
Filling the Engine Crankcase with Oil .....	17
Filling the DFG/G Series Engine Fuel Tank .....	17
Assembly Instructions/Operation .....	18
Theory of Operation.....	18
Multi-Accessory Attachments and Applications.....	19-26
Installing a Multi-Accessory Attachment (not including multi-segmented, dry diamond discs) in the counter-rotating discs.....	26-27
Removing a Multi-Accessory Attachment (not including multi-segmented, dry diamond discs) from the counter-rotating discs .....	28-29
Transporting the Surface Grinder .....	29
Adjusting the Operator Handle Height.....	30
Starting the DFG/E Series Electrically Powered Surface Grinder On the Job Site .....	30-32
Starting the DFG/G Series Gasoline Powered Surface Grinder On the Job Site .....	32-33
Operating the Surface Grinder on the Job Site .....	33-36
Stopping the DFG/E Electrically Powered Surface Grinder .....	36
Stopping the DFG/G Gasoline Powered Surface Grinder .....	36
Operational Parameters and Techniques for DFG Series Surface Grinder's .....	36-39

# TABLE OF CONTENTS

Maintenance/Service .....	40
Preventative Maintenance Check List .....	40
Checking V-Belt Tension and Alignment .....	40
Installing a Replacement V-Belt or Centrifugal Clutch or Pulley .....	41-43
Replacing the LORD® Type Elastomeric Mounts on the Multi-Accessory Discs.....	44
Lubrication Requirements .....	45
Electric Motor Service .....	46
Engine Service.....	46
Troubleshooting .....	47
Electric Motor .....	47
Gasoline Engine.....	47-48
Storage .....	49
Specifications.....	50
Explanation of Code In Remarks Column .....	52
Suggested Spare Parts.....	53
Component Parts Drawings	
Operator Handle Assembly (Electric) .....	54-55
Operator Handle Assembly (Gasoline).....	56-57
Electric Motor Assembly .....	58-59
Gasoline Engine Assembly .....	60-61
Wheel Assembly .....	62-63
Transmission Assembly .....	64-65
Head Assembly.....	66-67
Safety and Shield Assembly .....	68-69
Scarifier Assembly .....	70-71
SCRAPE-R-TACH .....	72-73
Grinder Block Assembly .....	74-75
Decals .....	76-77
Terms and Condition of Sale —Parts .....	78



# PARTS ORDERING PROCEDURES

www.multiquip.com



## Ordering parts has never been easier! Choose from three easy options:

Effective:  
January 1<sup>st</sup>, 2006

### Order via Internet (Dealers Only):

Order parts on-line using Multiquip's SmartEquip website!

- View Parts Diagrams
- Order Parts
- Print Specification Information



If you have an MQ Account, to obtain a Username and Password, E-mail us at: [parts@multiquip.com](mailto:parts@multiquip.com).

To obtain an MQ Account, contact your District Sales Manager for more information.

Goto [www.multiquip.com](http://www.multiquip.com) and click on **Order Parts** to log in and save!

Use the **internet** and qualify for a **5% Discount** on *Standard orders* for all orders which include complete part numbers.\*

Note: Discounts Are Subject To Change



### Order via Fax (Dealers Only):

All customers are welcome to order parts via Fax.

**Domestic (US) Customers dial:**  
1-800-6-PARTS-7 (800-672-7877)

**Fax** your order in and qualify for a **2% Discount** on *Standard orders* for all orders which include complete part numbers.\*

Note: Discounts Are Subject To Change



**Order via Phone: Domestic (US) Dealers Call:**  
1-800-427-1244

### Non-Dealer Customers:

Contact your local Multiquip Dealer for parts or call 800-427-1244 for help in locating a dealer near you.



**International Customers** should contact their local Multiquip Representatives for Parts Ordering information.

## When ordering parts, please supply:

- |   |  |
|---|--|
| <input type="checkbox"/> Dealer Account Number                                | <input type="checkbox"/> Specify Preferred Method of Shipment:                         |
| <input type="checkbox"/> Dealer Name and Address                              | <input checked="" type="checkbox"/> UPS/Fed Ex <input checked="" type="checkbox"/> DHL |
| <input type="checkbox"/> Shipping Address (if different than billing address) | <input type="checkbox"/> Priority One <input checked="" type="checkbox"/> Truck        |
| <input type="checkbox"/> Return Fax Number                                    | <input type="checkbox"/> Ground  |
| <input type="checkbox"/> Applicable Model Number                              | <input type="checkbox"/> Next Day  |
| <input type="checkbox"/> Quantity, Part Number and Description of Each Part   | <input type="checkbox"/> Second/Third Day  |

### NOTICE

All orders are treated as *Standard Orders* and will ship the same day if received prior to 3PM PST.

WE ACCEPT ALL MAJOR CREDIT CARDS!



# NOTICE TO OPERATORS

**IF YOU CAN NOT READ OR DO NOT FULLY UNDERSTAND THE CONTENTS OF THIS MANUAL, PLEASE CONTACT THE FACTORY FOR PROPER ASSISTANCE BEFORE ATTEMPTING TO OPERATE THIS PRODUCT.**

**SI TU NO PUEDES LE'ER O NO COMPRENDES EL CONTENIDO DE ESTE MANUAL FAVOR DE PONERSE EN CONTACTO CON LA. FABRICA PARA ASISTENCIA- A PROPIA ANTES DE INTENTAR PARA OPERAR ESTE PRODUCTO.**

**SOLLTEN SIE DIESE GEBRAUCHSANWEISUNG NICHT LESEN KOENNEN ODER ES NICHT VOLLKOMMEN VERSTEHEN, WENDEN SIE SICH BITTE AN DEN HERSTELLER FUER RICHTIGE HILFE EHE SIE VERSUCHEN DIESES PRODUKT ZU OPERIEREN.**

**SI VOUS NE LISEZ OU NE COMPRENDRE ENTIEREMENT LES MATIERES DE CE MANUEL, S'IL VOUS PLAIT, CONTACTEZ L'USINE POUR L'ASSISTANCE APPROPRIEE AVANT D'UTILISER LE PRODUIT.**

** DANGER**

** CAUTION**

These safety alert symbols identify important safety messages in this manual. When you see these symbols, be alert to the possibility of personal injury and carefully read the message that follows.

Do not allow anyone to operate the SURFACE GRINDER without first reading this Operator Manual and becoming familiar with its operation. The manufacturer of the SURFACE GRINDER has gone to great extremes to provide the owner(s) and/or operator(s) with the finest equipment available for its intended job function of removing covering materials from concrete and wood floor surfaces. Yet, the possibility exists that the SURFACE GRINDER can be utilized in and/or subjected to job applications not perceived and/or anticipated by the manufacturer. Such misuse and/or misapplication of the SURFACE GRINDER can lead to the possibility of serious damage, injury or even death. It is the responsibility of the owner(s) and/or operator(s) to determine that the SURFACE GRINDER is being utilized and/or operated within the scope of its intended job function. It is the responsibility of the owner(s) and/or operator(s) to establish, monitor and constantly upgrade all safety programs and/or practices utilized in and for the operation of the SURFACE GRINDER. The purpose of such programs is to provide for owner(s) and/or operator(s) safety. Operators must be instructed to recognize and avoid unsafe conditions associated with their work (29 CFR 1926.21 (b)(2)) and/or applicable updated revisions. It is the responsibility of the owner(s) and/or operator(s) to determine that no modifications and/or alterations have been made to the SURFACE GRINDER. Modifications and/or alterations can lead to the possibility of serious damage, injury or even death. It is the responsibility of the owner(s) and/or operator(s) to make this Operator Manual available for consultation during all phases of operation. Refer to OSHA 2207 and/or applicable updated revisions which contains all OSHA job safety and health rules and regulations (1926 and 1910) covering construction.

## **! CAUTION**

The concept of powered SURFACE GRINDER has been successfully utilized for many years as a practical solution to many types of surface preparation requirements. The basic concept is proven and well accepted within the associated marketplaces. Use of a SURFACE GRINDER requires strenuous work activity. This type of work activity can be considered to be greater in magnitude than that experienced with the use of many other types of both light construction and lawn and garden related equipment. This type of work activity should only be attempted by operators of adequate physical size and stature, mental awareness and physical strength and condition. The body parts most noticeably affected during any specific process are the arms, hands, wrists, shoulders, lower back and legs. The process can also produce excessive stress/strain directly to the back muscles, spinal vertebrae and many other body parts. Back related pain can be a side effect of utilizing a SURFACE GRINDER. An operator with a chronic back related problem or a history of back and/or other medically related problems should not attempt to utilize the SURFACE GRINDER. Use of the SURFACE GRINDER may only aggravate this and any other medically related problem. Because of the diverse type of prevailing job applications, job site conditions, operator experience levels and operator physical characteristics, no warranty, guarantee, representation and/or liability is made by the manufacturer as to the absolute correctness or sufficiency of any operational procedure, operational position and/or technique. There is no absolute guarantee that an operator of any given experience level, physical size and/or physical condition will be immune to the possibility of and/or probable physical side effects of the normal use of the SURFACE GRINDER. Each potential operator must be made aware of and assume the operational and physical liability described and/or associated with the use of the SURFACE GRINDER. Improper use of the SURFACE GRINDER can result in property damage and/or personal injury, including death. Each potential operator not willing to assume the operational and physical liability described and/or associated with the use of the SURFACE GRINDER, should not operate it. Proper levels of operator experience, skill and common sense are essential for maximizing the safe and efficient operation of the SURFACE GRINDER.

Record the SURFACE GRINDER and electric motor serial numbers in the spaces provided below.

\_\_\_\_\_ Model Number

\_\_\_\_\_ Serial Number

\_\_\_\_\_ Electric Motor Serial Number

\_\_\_\_\_ Date of Purchase

Specifications and design are subject to change without notice or obligation. All specifications are general in nature and are not intended for specific application purposes. Multiquip, Inc. reserves the right to make changes in design, engineering or specifications and to add improvements or discontinue manufacture at any time without notice or obligation. Multiquip, Inc. and its agents accept no responsibility for variations which maybe evident in actual products, specifications, pictures and descriptions contained in this publication.



# OPERATOR INSTRUCTIONAL DATA SHEET

The following undersigned operators of the SURFACE GRINDER described and/or pertaining to this Operator Manual have received formal safety and operational information/instruction from the undersigned owner(s)/instructor(s) in accordance to OSHA 29 CFR 1926.21 (b)(2) and/or applicable updated revisions pertaining to, but not necessarily limited to the:

- 1) **READING, COMPREHENSION AND ACKNOWLEDGEMENT OF THE MATERIAL COMPRISING THE ENTIRE CONTENTS OF THE APPLICABLE OPERATOR MANUAL AND APPLICABLE SAFETY AND OPERATIONAL INFORMATION VIDEO TAPE FOR THE SURFACE GRINDER.**
- 2) **FORMALIZED OPERATOR SAFETY PROGRAM TO BE DEvised BY THE OWNER OF THE SURFACE GRINDER IN CONJUNCTION WITH THE CONTENTS OF THE APPLICABLE OPERATOR MANUAL AND THE APPLICABLE SAFETY AND OPERATIONAL INFORMATION VIDEO TAPE FOR THE SURFACE GRINDER AND THE APPLICABLE MATERIAL INCLUDED IN THE NATIONAL ELECTRICAL CODE®.**
- 3) **OSHA AND NATIONAL ELECTRIC CODE® RULES AND REGULATIONS RESEARCHED FOR AND/OR BY THE OWNER OF THE SURFACE GRINDER AND DEEMED APPLICABLE TO THE SAFE AND PROPER USE AND/OR OPERATION OF THE SURFACE GRINDER FOR ANY SPECIFIC JOB APPLICATION.**
- 4) **LOCAL LAWS, REGULATIONS AND CUSTOMS RESEARCHED FOR AND/OR BY THE OWNER OF THE SURFACE GRINDER AND DEEMED APPLICABLE TO THE SAFE AND PROPER USE AND/OR OPERATION OF THE SURFACE GRINDER FOR ANY SPECIFIC JOB APPLICATION.**
- 5) **FORMALIZED MAINTENANCE PROGRAM FOR THE SURFACE GRINDER TO BE DEvised BY THE OWNER OF THE SURFACE GRINDER IN ACCORDANCE WITH, BUT NOT NECESSARILY LIMITED TO, THE SPECIFICATIONS, GUIDELINES AND OPERATIONAL INFORMATION CONTAINED IN THE APPLICABLE OPERATOR MANUAL.**
- 6) **COMPREHENSIVE OPERATIONAL INSTRUCTIONS FOR THE CORRECT AND PROPER USE OF THE SURFACE GRINDER AS PER THE CONTENTS OF THE APPLICABLE OPERATOR'S MANUAL, SAFETY AND OPERATIONAL INFORMATION VIDEO TAPE AND APPLICABLE MATERIAL INCLUDED IN THE NATIONAL ELECTRIC CODE®.**

_____ Operator	_____ Owner/Instructor	_____ Date
_____ Operator	_____ Owner/Instructor	_____ Date
_____ Operator	_____ Owner/Instructor	_____ Date
_____ Operator	_____ Owner/Instructor	_____ Date
_____ Operator	_____ Owner/Instructor	_____ Date
_____ Operator	_____ Owner/Instructor	_____ Date

**NOTE: INSERT COPIES OF THIS PAGE WITHIN THE OPERATOR'S MANUAL IF SPACE FOR ADDITIONAL OPERATORS IS REQUIRED.**

## DANGER

THE FOLLOWING SAFETY PRECAUTIONS PROVIDE SOME COMMON SENSE GUIDES TO PROMOTE SAFETY AND EFFICIENCY WITH THE SURFACE GRINDER. NO WARRANTY, GUARANTEE OR REPRESENTATION IS MADE BY THE MANUFACTURER AS TO THE ABSOLUTE CORRECTNESS OR SUFFICIENCY OF ANY INFORMATION OR STATEMENT. THESE SAFETY PRECAUTIONS ARE INTENDED TO DEAL PRINCIPALLY WITH COMMON PRACTICES AND CONDITIONS ENCOUNTERED IN THE USE OF THE SURFACE GRINDER AND ARE NOT INTENDED TO BE ALL INCLUSIVE. PROPER LEVELS OF OPERATOR EXPERIENCE, SKILL AND COMMON SENSE ARE ESSENTIAL FOR SAFE AND EFFICIENT OPERATION.

## DANGER

THE ENGINE EXHAUST FROM THIS PRODUCT CONTAINS CHEMICALS KNOWN TO THE STATE OF CALIFORNIA TO CAUSE CANCER, BIRTH DEFECTS OR OTHER REPRODUCTIVE HARM. THIS STATEMENT IS MADE IN COMPLIANCE TO CALIFORNIA PROPOSITION 65.

## DANGER

INCORRECT USE OF THE SURFACE GRINDER CAN RESULT IN PROPERTY DAMAGE, PERSONAL INJURY OR EVEN DEATH. TO REDUCE THIS POSSIBILITY, GIVE COMPLETE AND UNDIVIDED ATTENTION TO THE JOB AT HAND AND FOLLOW THESE SAFETY PRECAUTIONS:

### PREPARATION.

1) This SURFACE GRINDER is specialized type of powered equipment, designed for a specific job function and requires adequate and thorough instruction BEFORE it is operated. The size, power, complexity and operating characteristics of this type of powered equipment would dictate that each operator must receive adequate, professional instruction regarding the proper operation of this SURFACE GRINDER before being allowed to utilize it. BEFORE attempting to utilize this SURFACE GRINDER, read this Operator's Manual, the applicable Safety and Operating Information Video Tape and the material supplied by the engine manufacturer to familiarize each operator with its correct operating procedures. Avoid the urge not to take

the necessary time to read this Operator's Manual before operating the SURFACE GRINDER. DO NOT OPERATE THE SURFACE GRINDER UNTIL EACH OPERATOR COMPLETELY COMPREHENDS THE CONTENTS OF THIS MANUAL AND THE APPLICABLE SAFETY AND OPERATIONAL INFORMATION VIDEO TAPE.

- 2) Develop a comprehensive program for the safe operation of the SURFACE GRINDER by its owner(s) and/or operator(s). Such a program will include, but is not limited to: instructional requirements for operation, applicable OSHA requirements, local laws and regulations, job site safety and a SURFACE GRINDER maintenance program. Constantly examine and upgrade this program to guarantee owner(s) and/or operator(s) safety. Each operator must be fully instructed regarding the specifics of this safety program.
- 3) Determine that the SURFACE GRINDER is in its original, factory configuration and has not been modified in any manner. Many modifications can result in potentially dangerous configurations that can lead to property damage and/or personal injury. If there are any questions about possible modifications made to the SURFACE GRINDER, contact the Customer Service Department for specific information BEFORE utilization. There is no charge for this service. Do not operate the SURFACE GRINDER without the use of the original equipment V-belt guard. Use of the SURFACE GRINDER without an approved belt guard can lead to property damage and/or personal injury.
- 4) Minors should never be allowed to operate the SURFACE GRINDER. Bystanders, especially children and animals, should not be allowed in the area where the SURFACE GRINDER is in use. The grinding process can result in flying particles being emitted at high velocity and striking the operator and/or onlookers. This can lead to the possibility of property damage and/or personal injury. Keep all body parts, loose clothing, foreign objects and onlookers clear of the rotating discs, multi-accessory attachments and flying particles.
- 5) Operators must be in adequate physical condition, mental health and not under the influence of any substance (drugs, alcohol, etc.) which might impair vision, dexterity or judgment. Working with the SURFACE GRINDER is strenuous. If you have any condition that might be aggravated by strenuous work, check with your doctor BEFORE operating the SURFACE

# SAFETY PRECAUTIONS

GRINDER. Guide against the possibility of back related injuries. Always lift the SURFACE GRINDER with leg muscles and not with the back.

- 6) Prolonged use of the SURFACE GRINDER (or other, similar machines) exposes the operator to vibrations which may produce Whitefinger Disease (Raynaud's Phenomenon). This phenomenon reduces the hand's ability to feel and regulate temperature, produces numbness and burning sensations and may cause nerve and circulation damage and tissue necrosis. Anti-vibration systems do not guarantee that you will not sustain Whitefinger Disease. Therefore, continuous and regular users should closely monitor the condition of their hands and fingers. After each period of use, exercise to restore normal blood circulation. If any of the symptoms appear, seek medical advice immediately.
- 7) Clothing must be sturdy and snug fitting, but allow complete freedom of movement. Never wear loose fitting jackets, scarves, neckties, jewelry, flared or cuffed pants or anything that could become caught on controls or moving parts. Wear long pants to protect your legs. Protect your hands with heavy duty, non-slip gloves to improve your grip. Good footing is most important when operating the SURFACE GRINDER. Wear sturdy boots with non-slip soles. Steel-toed safety shoes are highly recommended. Never wear tennis shoes or other, similar type shoes which afford little or no protection. Wear an approved safety hard hat to protect the operator's head(s) where there is a danger of head injuries. Noise, generated by the engine of the SURFACE GRINDER and the actual process itself, can damage your hearing. Wear approved sound barriers (ear plugs or ear muffs) to protect your hearing. Continuous and regular operators should have their hearing checked regularly.
- 8) Visually inspect the SURFACE GRINDER, components, tools and accessories for damaged or worn parts. BEFORE each use:
  - a) Disconnect the engine spark plug wire or power source cable.
  - b) Clean and remove all accumulated foreign matter from the wheels and determine that each rotates freely.
  - c) Clean and remove all accumulated foreign matter from inside the mainframe area.
  - d) Inspect the V-belt drive for proper tension, wear and general condition. Replace each component as necessary.
  - e) Inspect the multi-accessory discs and gimbal head assemblies for excessive wear and structural integrity. Replace each component as necessary. The multi-accessory discs rotating at high speed during the specific process can be subject to high wear rates if the installed attachment is not properly maintained and/or replaced at regular service intervals.
  - f) Determine that operator controls work freely, all safety devices are operative and information decals are readable.
  - g) Check to see that the SURFACE GRINDER and all related accessories are in good, mechanical condition BEFORE utilization.
  - h) Reconnect the spark plug wire or power source cable as applicable.
9. Contact appropriate representatives to determine if/where electrical cables, gas lines and other hazardous items are buried under the work surface BEFORE utilization. The SURFACE GRINDER and related accessories are not insulated. Contact with buried electrical cables, gas lines and other hazardous items can result in electrocution and/or an explosion.
10. Know how the controls operate. Know how to stop the engine or electrical motor quickly in an emergency. Always start the engine or electric motor according to the instructions as outlined in this manual to minimize the possibility of unexpected contact with the work surface. Unexpected contact with the work surface can cause loss of machine control, and the possibility of property damage and/or personal injury.
11. Ground the DFG20E or DFG30E electrically powered SURFACE GRINDER motors securely. Determine that any "grounding" wire and/or device is, in fact, properly grounding the motor. Failure to properly ground the motor may cause an electrical shock and/or electrocution, resulting in property damage and personal, injury including death. Electrical wiring and all connections should be performed by a qualified electrician. Depending upon the wiring configuration, the electric motor is designed to operate from either 115 or 230 volt, AC power sources. Determine that the electric motor voltage switch is properly selected according to the intended and/or available power source. Operating the electric motor from an improper voltage/amperage power source can result in property damage and/or personal injury.

# SAFETY PRECAUTIONS

12. When operating the DFG20E or DFG30E electrically powered SURFACE GRINDERS on a surface containing water or other electrically conducting liquid, special precautions must be taken to minimize the possibility of operator electrocution. Once such precaution is to wire and operate the electric motor from a clean, 20 Ampere, 115 Volt AC power source in conjunction with a ground fault circuit interrupter (GFCI). A GFCI is a safety device that disconnects power from a circuit to a load when a potentially dangerous condition occurs. The GFCI opens the circuit when the fault current flow from a power line to a ground exceeds the safe limit for humans.

The GFCI protects against harmful electrical shock to a person caused by contact with a defective electrical product. A GFCI differs from a fuse or circuit breaker. A fuse or circuit breaker opens the circuit when the total current flow in the power line exceeds the safe limit of the power line. They are designed to protect against fire caused by overheating of the power line. Use of a GFCI gives on the job protection from electrical shock hazards caused by ground faults in commercial, industrial and residential applications. They are simple and easy to use: plug a portable GFCI into any suitable, grounded extension cord and plug the SURFACE GRINDER into the GFCI for automatic protection against ground faults.

For specific information, consult current National Electrical Code® publications and OSHA publications 210-22D (or current revision) for construction sites and 555-3 (or current revision) for use around any area containing water.

13. Never exceed the recommended capacities of the SURFACE GRINDER. Refer to the Specifications sections of this manual for more detailed information

## OPERATION

1) Give complete and undivided attention to the job at hand. Do not chew gum, smoke and/or use smokeless tobacco while utilizing the SURFACE GRINDER. Do not attempt to eat and/or drink while utilizing the SURFACE GRINDER. Determine that eyeglasses and/or hearing aid devices are properly secured.

Use of the SURFACE GRINDER is strenuous and causes fatigue. Help prevent the cause of an accident. Plan to take work breaks as required to help maintain proper mental and physical alertness.

2) This SURFACE GRINDER is not sealed or insulated. Do not operate the SURFACE GRINDER in an explosive atmosphere or near combustible materials. Refer to current OSHA® rules and regulations.

3) Gasoline is an extremely flammable fuel. Use extreme caution when handling gasoline or mixing fuel. Always utilize UL®, CSA® OR CE approved containers for the storage and transportation of fuel. Do not smoke or bring fire or flame near the fuel. Always shut off the engine and allow it to cool before refueling. Never remove the fuel tank filler cap while the engine is running. Never operate an engine without a fuel tank filler cap. Select bare ground for fueling and move at least 10 feet from the fueling spot before starting the engine.

Wipe off any spilled fuel before starting the engine and check for leakage. If a fuel or oil leak is found, do not start or run the engine until the leak is fixed and the spillage has been wiped away. Take care not to get fuel or oil on your clothing. If this happens, change your clothing immediately. Before operating the SURFACE GRINDER refer to the **Specifications** section of this manual for more detailed information regarding fuel and lubrication requirements.

4) The SURFACE GRINDER is designed for use by one operator. Use of the SURFACE GRINDER by more than one operator can lead to confusion and loss of control, resulting in property damage and/or personal injury. If it is felt that more than one person is required to operate the SURFACE GRINDER, STOP and contact the Customer Service Department for specific operational and service/maintenance information. There is no charge for this service.

5) Do not operate the SURFACE GRINDER with onlookers close by. Caution all onlookers to stand clear. The grinding process can result in flying particles being emitted at high velocity and striking the operator and/or onlookers This can lead to the possibility of property damage and/or personal injury. Keep all body parts, loose clothing and foreign objects clear of the rotating drum and flails.

6) Start the engine or electric motor according to the instructions as outlined in this manual to minimize the possibility of unexpected contact with the work surface. Unexpected contact with the work surface can cause the loss of machine control and the possibility of property damage and/or personal injury.

# SAFETY PRECAUTIONS

- 7) Start and operate the SURFACE GRINDER only in a well ventilated area. Carbon Monoxide fumes given off by an engine are poisonous. Breathing these fumes can result in property damage and/or personal injury. Operate the SURFACE GRINDER only when/where visibility and light are adequate for the job at hand. Work carefully. Always hold the operator handle firmly with both hands. Wrap your fingers around the handle, keeping it cradled between your thumbs and fingers. Always make sure the operator handle is in good condition and free of moisture, pitch, oil or grease. Wear gloves to improve your grip. Never leave the SURFACE GRINDER running unattended.
- 8) Special care must be exercised on slippery conditions and on difficult, uneven surfaces. Watch for cracks, high spots and other, surface irregularities. Keep proper footing and balance at all times. The normal use of this machine is on level surfaces. Other terrains can be dangerous and should be avoided. Only properly trained operators should attempt these techniques.
- 9) Never start the engine or electric motor with the SURFACE GRINDER directly over cracked, uneven or irregular surfaces. Start the engine or electric motor according to the instructions as outlined in this manual.
- 10) Contact with a hot, engine muffler can cause property damage and/or personal injury. Remain clear of a hot, engine muffler. Do not over speed the engine by altering the governor setting or by disconnecting the engine governor. Serious damage to the engine and/or personal injury can result.
- 11) Clean and remove all accumulated foreign matter from inside the mainframe area after each use. This practice will maximize bearing and V-belt service life.
- 12) Because this SURFACE GRINDER is classified as a low cost, hand held, low horsepower, portable type machine, it is limited in the number of practical and/or suitable job applications. A particular job site, actual surface conditions, job specifications and operator skill/common sense may dictate that a different type of machine (with characteristics of higher purchase cost, being mounted to a carrier vehicle, with greater horsepower and less mobility), method and/or process be utilized to properly complete the job with the degree of efficiency and safety required. Contact the Customer Service Department for specific information regarding suitable job applications, job sites surface conditions and

operator experience/skill/common sense recommendations for this SURFACE GRINDER BEFORE utilization. There is no charge for this service.

## MAINTENANCE, REPAIR AND STORAGE

- 1) Use only genuine, approved replacement parts and accessories for maintenance and repair. Use of parts and accessories manufactured by others can result in property damage and/or personal injury.
- 2) Follow the **Service** instructions as outlined in the appropriate section of this manual.
- 3) Always stop the engine or electric motor and disconnect the spark plug wire or power source cable BEFORE checking or working on the SURFACE GRINDER.
- 4) Always properly maintain the SURFACE GRINDER. Frequently check all fasteners and individual parts. Built in safety features are effective only if they are maintained in good working condition. Replace any questionable part or assembly with a genuine, factory approved, replacement part. Do not forsake proper maintenance for the price of a few replacement parts. Proper maintenance does not cost...it actually pays dividends. Do not attempt any maintenance repair work not described in this manual. Have such work performed at your dealer's service facility.
- 5) A worn or damaged engine muffler is a fire hazard and may cause loss of hearing. Check to see that the muffler is in good condition. If the muffler is equipped with a spark arresting device, determine that it is in proper working condition at regular service intervals. Replace the spark arresting device with an approved replacement if there is any question of its integrity. It is the responsibility of the owner(s) and/or operator(s) to provide for and properly maintain a USDA approved, spark arresting muffler in an operating area specified by law. Check with appropriate governing agencies for more specific information. The SURFACE GRINDER must not be operated if the muffler is faulty or has been removed. Contact with a hot engine muffler can cause property damage and/or personal injury.
- 6) Do not operate the SURFACE GRINDER without the use of factory approved V-belt and diamond blade guards that are maintained in proper structural condition. Frequently inspect the guards for signs of wear, cracks and other signs of fatigue. If there is any question regarding the structural integrity and/or condition

of the belt guard, properly dispose and replace with a genuine, factory approved, replacement part only.

- 7) Maintain all safety and operation decals in proper condition. If any decal becomes damaged and/or unreadable, replace with a genuine, factory approved, replacement part only.
- 8) The SURFACE GRINDER utilizes many self-locking type hexagon head nuts to minimize the effects of vibration. Replace all self-locking hardware with genuine, factory approved, replacement parts only.
- 9) Consult the material supplied by the engine or electric motor manufacturer for specific information relative to proper operational, lubrication and storage requirements.

# ASSEMBLY INSTRUCTIONS/OPERATIONS

## Assembly

The DFG Series SURFACE GRINDER is shipped from the factory secured on a specially designed wooden pallet and protected from external damage by a corrugated carton or wood crate. If shipped with a corrugated carton, the SURFACE GRINDER can be secured to the pallet by wood laths nailed to the pallet body. Remove the carton or crate immediately upon receipt using suitable tools to remove the nails.

### REMOVING THE SURFACE GRINDER FROM THE PALLET.

#### Application: All Models

Tools Required:

- 1 each, pliers.
- 1 each, claw hammer or a hammer and an appropriate pry bar.

The SURFACE GRINDER is secured to the pallet with steel banding. Using the pliers, cut and remove the banding. The SURFACE GRINDER can then be removed from the pallet.

## DANGER

**WEAR SAFETY GLASSES AND OTHER APPROPRIATE SAFETY APPAREL WHEN CUTTING THE STEEL BANDING AND/OR REMOVING THE CORRUGATED/WOOD SHIPPING CRATE.**

Visually inspect the shipment for freight damage and/or missing parts. If shipping damage is evident, contact the delivering carrier immediately to arrange for an inspection of the damage by their claims representative. Federal law requires that a claim be filed within a specific time period. If missing parts are detected, notify your dealer who will assist you in obtaining them.

The SURFACE GRINDER is shipped from the factory completely assembled. If ordered with the SURFACE GRINDER, multi-accessory attachments are normally shipped separately to minimize the potential for loss during shipment.

Check all fasteners for proper security. Consult a fastener torque chart for the proper torque value if any fastener is found to require retorquing.

After April 1, 1996 all SURFACE GRINDERS are shipped from the factory with the SG24-1000 Safety

and Dust Shield Assembly Kit included as a standard accessory. The kit is included in a separate package and is not normally installed by factory personnel. The owner and/ or operator (has) have the option to install the skirt assembly for any specific job application. The DFG-1000 Safety and Dust Shield is designed to perform the following job functions:

- 1) To contain loose materials within the platform area of the SURFACE GRINDER as a direct result of a specific grinding process. This includes materials removed from the surface as well as any slurry mixture utilized to help maximize material removal efficiencies.
- 2) To provide a method for a vacuum system to help remove airborne dust related materials from within the skirt assembly. Dust related materials are usually created as a result of the grinding process. A specific job application may require the reduction and/or minimization of airborne dust related materials from the atmosphere while the SURFACE GRINDER is being operated. The kit includes a hose and necessary hardware to connect the skirt assembly to the 3 inch diameter vacuum attachment fitting located at the rear of the machine. Use of the kit along with a suitable vacuum system will not completely remove all airborne and loose materials directly from the work surface.

## DANGER

**THE USE OF THE SG24-1000 SAFETY AND DUST SHIELD ASSEMBLY KIT ALONG WITH A SUITABLE VACUUM SYSTEM TO REMOVE HAZARDOUS CLASSIFIED, AIRBORNE MATERIALS FROM THE WORK SURFACE WILL NOT ELIMINATE THE REQUIREMENT FOR PROPER SAFETY RELATED EQUIPMENT, OPERATING PLAN AND/OR PROCEDURES.**

## DANGER

**USE OF THE SG24-1000 SAFETY AND DUST SHIELD ASSEMBLY KIT ALONG WITH A SUITABLE VACUUM SYSTEM WILL NOT COMPLETELY REMOVE ALL LOOSE MATERIALS FROM THE WORK SURFACE. HAZARDOUS CLASSIFIED, LOOSE MATERIALS MUST BE REMOVED FROM THE WORK SURFACE BY PROCESSES AND/OR PROCEDURES MEETING THE APPLICABLE OSHA AND/OR EPA REQUIREMENTS.**

# ASSEMBLY INSTRUCTIONS/OPERATIONS

## INSTALLING THE SG24-1000 SAFETY AND DUST SHIELD ASSEMBLY KIT.

**Application: All Models.**

### Tools Required:

- 1 each, 5/32 inch Allen wrench.
- 1 each, 7/16 inch wrench.
- 2 each, 1/2 inch wrenches.
- 1 each, flat blade screwdriver.

- 1) If the SURFACE GRINDER is powered by an engine, disconnect the spark plug wire. If powered by an electric motor, properly disconnect the extension cord or SURFACE GRINDER from the power source.
- 2) Using the allen wrench, remove the bumper guard P/N 29018-016 from the machine.
- 3) Tilt the SURFACE GRINDER back until the operator handle comes in contact with the surface. The SURFACE GRINDER may not be in a stable position in this configuration. To minimize the possibility of property damage and/or personnel injury, properly secure an appropriate weight to the handle for added stability. Other means can be utilized to support the frame and provide proper machine stability. Appropriate wheel chocks are also recommended. FIGURE 1.

## **! DANGER**

**EXERCISE EXTREME CAUTION WHEN WORKING NEAR OR UNDER THE SURFACE GRINDER WITH THE OPERATOR HANDLE TILTED BACK IN THE SERVICE POSITION. IF THE SURFACE GRINDER IS NOT POSITIONED IN A STABLE CONFIGURATION, WITH ADEQUATE COUNTERWEIGHT PROPERLY SECURED, UNEXPECTED MOVEMENT CAN ALLOW THE SURFACE GRINDER TO FALL BACK TO THE WORK SURFACE. THE RESULT CAN BE PROPERTY DAMAGE AND/OR PERSONAL INJURY.**

- 4) Using the 7/16-inch wrench, install the wrap-around rubber skirt P/N 29018-88 around the outside perimeter surrounding the multi-accessory discs. Secure with cap screws P/N 106499-007 and washers P/N 29018-090. The original bumper and cap screws can also be utilized as an alternative attachment method. The notches in the rubbers skirt are provided as a means to compensate for multi-accessory

attachment wear (if applicable). Adjust the location of the rubber skirt to provide the necessary clearance between it and the work surface. Improper clearance will accelerate skirt wear. FIGURE 2.

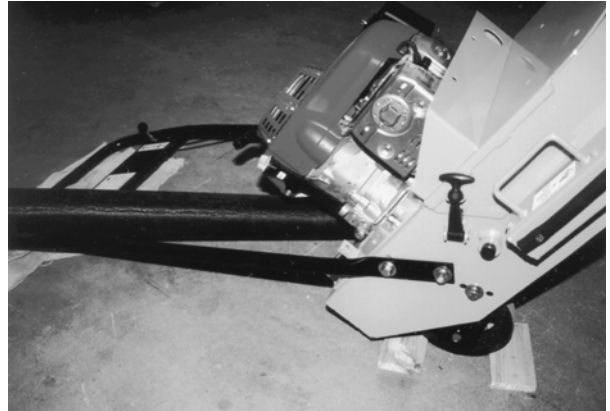


FIGURE 1



FIGURE 2

- 5) Using the 1/2-inch wrenches, the rectangular rubber skirt P/N 29018-089 is attached to the middle support member of the main frame. Proper installation will have the hose attach fitting that is riveted to the skirt facing the rear of the machine. The notches in the rubber skirt are provided as a means to compensate for multi-accessory attachment wear (if applicable). Adjust the location of the rubber skirt to provide the same clearance as with the wrap-around rubber skirt P/N 29018-088. The skirt straps PN 29018-092 provide additional support for the rear skirt assembly. Properly secure with the cap screws PN 06500-007 and self-locking nuts P/N 08233-005. FIGURE 3.



# ASSEMBLY INSTRUCTIONS/OPERATIONS



FIGURE 3

- 6) Assemble the two each, hose clamps P/N 14821-012 over the PN 290018-093 vacuum hose. Install the vacuum hose over the vacuum hose attach fittings. Determine that the configuration minimizes potential kinks or depressions, which can reduce the airflow. Secure the hose clamps tight with the screwdriver.
- 7) The DFG-1000 Safety and Dust Shield Assembly Kit can be removed by reversing the above procedure and reinstalling the original bumper P/N 29018-016
- 8) Return the SURFACE GRINDER to its normal operating position.
- 9) If the SURFACE GRINDER is powered by a gasoline engine, reconnect the engine spark plug wire. If powered by an electric motor and the machine is to be used immediately, reconnect the extension cord or SURFACE GRINDER to the power source. Determine that the ON/OFF switch located on the operator handle is in the OFF position.

## **⚠ DANGER**

**UNEXPECTED MACHINE START UP CAN RESULT IN PROPERTY DAMAGE AND/OR PERSONAL INJURY.**

## ***Before Starting the Engine***

### **FILLING THE ENGINE CRANKCASE WITH OIL.**

**Applications: DFG/G SURFACE GRINDER.**

Tools Required:

1 each, small, clean funnel.

The DFG/G Series SURFACE GRINDER is equipped with a Honda GX340 gasoline engine. This engine is normally not pre-serviced at the factory and will require the **addition of oil** in the crankcase before being placed in service. Consult the material supplied by the engine manufacturer for the engine that has been ordered with your SURFACE GRINDER. Carefully review this material to become familiar with specific operating characteristics, recommendations and service requirements.

- 1) Determine the location(s) of both the oil filler and oil drain plug(s).
- 2) Wipe oil, dust and accumulated dirt from the filler plug area.
- 3) Using the funnel, fill the engine crankcase with a high grade motor oil. Consult the material supplied by the engine manufacturer for proper amount, weight and service classification.
- 4) Replace the oil filler plug and tighten. Wipe off any excess oil spilled on the engine crankcase and SURFACE GRINDER.
- 5) Do not operate the engine unless proper oil level is maintained as per the material supplied by the engine manufacturer.

### **FILLING THE DFG/G SERIES ENGINE FUEL TANK.**

Tools Required:

1 each, small, clean funnel.

## **⚠ CAUTION**

**Never mix oil with gasoline. Four cycle engines are not designed to be operated with oil mixed with the gasoline.**

- 1) Determine the location of the fuel tank filler cap.
- 2) Carefully clean the filler cap and surrounding area to insure that no dirt or debris falls into the fuel tank. Remove the filler cap.

# ASSEMBLY INSTRUCTIONS/OPERATIONS

- Using the funnel, fill the fuel tank with fresh, clean fuel according to the specifications outlined in the material supplied by the engine manufacturer. Do not overfill the tank or spill any fuel. If the fuel tank incorporates a screen mesh to prevent debris from falling into the tank, do not remove to increase the fill rate. Replace the filler cap. Wipe away any excess spilled fuel.

## **! DANGER**

**MANY FUELS ARE EXTREMELY FLAMMABLE. DO NOT SMOKE NEAR THE FUEL TANK. DO NOT FILL THE FUEL TANK WITH THE ENGINE RUNNING OR IF IT IS HOT. ALLOW AMPLE TIME BETWEEN EACH REFUELING FOR THE ENGINE TO COOL.**

## **Operation**

### **THEORY OF OPERATION.**

#### **Application: All Models.**

The DFG Series SURFACE GRINDERS operate on the principle of various multi-accessory attachments being utilized at rotational speeds to make direct contact with a work surface. Various types of multi-accessory attachments are secured to recesses provided in two, counter-rotating, aluminum discs located on the bottom of the machine. The specific type of multi-accessory attachment utilized during the grinding process directly affects the type of material removed, the material removal rate and the resulting flatness and smoothness of the surface.

The grinding process is directly controlled by these conditions:

- The use of a suitable mechanism (multi-accessory attachment) of proper design and configuration to grind the work surface and remove material while delivering acceptable service life.
- Sufficient static weight supporting the multi-accessory attachment to allow it to effectively penetrate the work surface and remove material.
- Adequate horsepower capable of propelling the multi-accessory attachment against the work surface to deliver acceptable productivity rates.

Since no two materials are exactly alike, no two work surface materials can be penetrated and removed by the exact same method. The nature of the grinding process, along with operator experience, skill and common sense, would suggest that efficient

and productive material removal is a matter of trial and error. Combinations of multi-accessory attachment type, condition, and feed rate are direct factors that will also determine the overall success of the job application.

### **MULTI-ACCESSORY ATTACHMENTS AND APPLICATIONS.**

#### **Application: All Models**

While individual multi-accessory attachment design and configuration may vary, basic operational characteristics are identical: impact upon a work surface material and remove a percentage of the material. This common operational characteristic has led to the development of the following popular multi-accessory attachments:

#### **Grinding Stones**

Grinding stones are available in a number of grades, including: C06 extra coarse, C10 coarse, C24 medium, C80 fine and C120 super fine grade. FIGURE 4. All stones incorporate silicon carbide as the abrasive medium and employ a clay binder as the matrix material. Vitrified type stones utilize an oven baking process that produces greater service life over other manufacturing processes. As the clay material wears away, it exposes new, sharp, edges of the imbedded silicon carbide material. All stones have the identical 2" x 2" X 4" dimensions and are secured to the machine by the use of a plastic wedge.



FIGURE 4

The designation system for the grinding stones utilizes a system similarly utilized for most abrasive products: the larger the number, the finer the grain structure and usually, the smoother resulting finish.

# ASSEMBLY INSTRUCTIONS/OPERATIONS

a) The C06 and C10 coarse grade stones are the most popular utilized stones and result in maximum material removal rates. They are utilized for general grinding and the removal of trowel marks, high spots and rough sections on concrete surfaces. The average service life is approximately 4 to 10 hours.

b) The C24 medium grade stone will result in lower material removal rates. It is utilized for finer finish grinding of concrete and rough grinding on terrazzo and other types of stone floor configurations. The average service life is approximately 6 to 10 hours.

c) The C80 fine grade stone will result in still lower material removal rates. It is utilized for polishing concrete and medium grinding on terrazzo and other types of stone floor configurations with a water/slurry mixture only. The average service life is approximately 8 to 20 hours.

d) The C120 super fine grade stone will result in the lowest material removal rates. It is utilized for final polishing on terrazzo and other types of stone floor configurations with a water/slurry mixture only. The average service life is approximately 40 to 75 hours.

## **Tungsten Carbide Grinding Block**

This multi-accessory attachment is most often utilized on larger concrete grinding projects where increased production and service life are required. The block utilizes tungsten carbide balls approximately 1/16 inch diameter that are deposited in a molten matrix material during the manufacturing process at a controlled rate. The end effect is a multi layer deposit of tungsten carbide balls in the matrix material. As the softer matrix material wears with use, it exposes a new layer of fresh tungsten carbide balls to continue the grinding process. The tungsten carbide grinding block is considerably more aggressive than the C10 silicon carbide grinding stone. With the ability to renew itself during usage, the normal life expectancy for this accessory can approach several hundred hours. The nominal dimensions for the tungsten carbide grinding block is 2" x 2" x 4" and is secured to the machine with a plastic wedge. FIGURE 5.

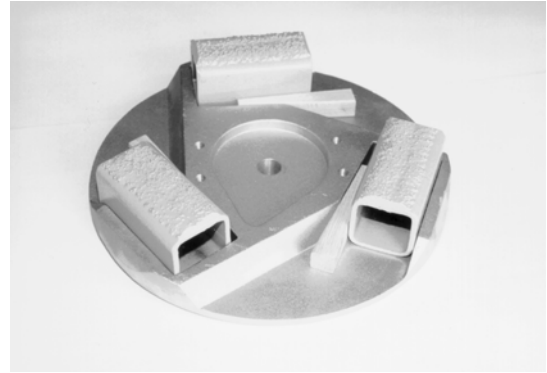


FIGURE 5

## **Scarifier Blocks**

These multi-accessory attachments are comprised of flails and spacer washers secured in a rigid steel case. FIGURE 6. Rotation of the two multi-accessory discs causes the flails to impact against the work surface with a variety of results. Scarifier blocks are secured to the machine with plastic wedges.

Several factors directly affect the selection of a flail design for a specific job application:

a) The type and amount of material to be removed from the work surface. Materials of higher yield and tensile strengths along with the actual volume of material to be removed will generally be the first factors under consideration.

b) Purchase cost versus service life. The original purchase cost of plain, heat-treated steel flails must be compared against the substantially higher costs of the tungsten carbide insert flails. In turn, these costs must be compared to anticipated service life. All flails will eventually wear to the point of requiring replacement. The amount of unproductive time spent to replace worn flails on a job can be substantially greater than the actual replacement cost of many flails. It then becomes a balance between purchase cost, productivity, service life and labor cost.

c) Surface finish and texture. The finest grained surface finish available from the scarifying process is comparable to a "swept or broomed" like finish. If a smooth, flat finish is desired, the scarifying process must be followed with a grinding or polishing type process. Many job requirements may call for large amounts of material to be removed, but followed with additional specifications requiring a finer surface finish or texture. Many times these jobs dictate the use of an aggressive flail configuration because of productivity and cost considerations. Less aggressive flail configurations can then be

# ASSEMBLY INSTRUCTIONS/OPERATIONS

utilized for the final finishing sequence. Generally speaking, the more aggressive the flail configurations, the more coarse the resulting finish and texture.

Many flail configurations are available to meet a wide variety of job applications and surface material specifications. To give additional perspective to each configuration, a rating system of 1 to 10 (10 being highest) has been devised.

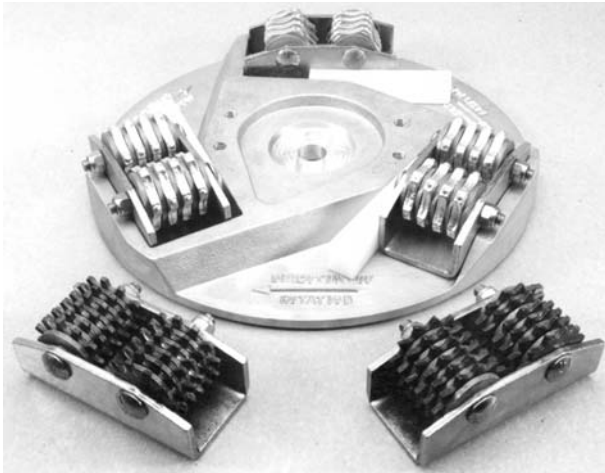


FIGURE 6

## Star Flail

The star flail is manufactured from high carbon steel that is through hardened for additional service life. It is highly effective for light cleaning or scarifying and delivers a finer surface finish texture. FIGURE 7.

### Suggested Applications:

- 1) Removal of thin coatings and encrusted accumulations.
- 2) Cleaning concrete and asphaltic surfaces
- 3) Removing thick material build-ups of greases, paints, oils, vegetable powders and some resins from floors.
- 4) Light scarifying prior to the application of coatings, toppings or sealers.



FIGURE 7

COST 1  
PRODUCTIVITY 3  
SERVICE LIFE 1

The star flail should be replaced when the outside diameter is worn to approximately 1-5/16 inch or the inside diameter elongates to approximately 3/4 inch.

## Beam Flail

The beam type flail is manufactured from high carbon steel that is through hardened for additional service life. It is highly effective for scabbling or scarifying and delivers medium to coarse surface finish texture. FIGURE 8.



FIGURE 8

### Suggested Applications:

- 1) Medium duty asphalt and concrete scarifying.
- 2) Descaling steel decks.
- 3) Removing thick material build-ups of greases, paints, oils, vegetable powders and some resins from floors.
- 4) Dried, fully cured, carpet and tile adhesive removal.

# ASSEMBLY INSTRUCTIONS/OPERATIONS

COST 1  
PRODUCTIVITY 5  
SERVICE LIFE 2

The beam flail should be replaced when the outside diameter is worn to approximately 1-5/16 inch or the inside diameter elongates to approximately 3/4 inch.

## Pentagonal Flail

The pentagonal type flail is manufactured from high carbon steel that is through hardened for additional service life. Each section of the five sided design features a small, tungsten carbide insert that is held in position with copper brazing. It is highly effective for scabbling or scarifying and delivers medium to coarse finish texture. FIGURE 9.



FIGURE 9

Suggested Applications:

- 1) Heavy duty asphalt and concrete scarifying.
- 2) Heavy duty descaling of steel decks.

The pentagonal flail is designed for more aggressive and rapid removal of a surface in comparison to the beam flail. The addition of the tungsten carbide inserts contributes to its long service life and higher production rates. The use of tungsten carbide is also the main reason for the cost differential between it and the other flails. The design configuration yields a rather coarse surface finish and texture. For many job applications, this finish and texture will be satisfactory. Some applications may require an additional smoothing process. If the resulting surface finish is too coarse to meet specifications, it can be smoothed with the use of the star or beam flail.

COST 10  
PRODUCTIVITY 8  
SERVICE LIFE 10

The pentagonal flail should be replaced when two successive tungsten carbide inserts break off or the inside diameter elongates to approximately 3/4 inch. In service, the flail body will wear much faster than the tungsten carbide inserts. The copper brazing used to weld the inserts into the body can fail and an insert break off. The flail can still be used in service. It will just wear a little faster and more uneven in that particular area. As a general rule, a pentagonal flail can be utilized until body wear will no longer support the tungsten carbide inserts.

## Spacer Washer

Spacer washers are stamped from high carbon steel and heat-treated for additional service life. FIGURE 10.



FIGURE 10

Spacer washers serve the following functions:

- 1) Reduces the number of flails required to be mounted on the scarifier block, thus reducing purchase and operational costs.
- 2) Arrange the flails in a sequence or pattern that minimize "blind" or "open" spots. Normally, at least one spacer washer is inserted between two consecutive flails. A scarifier block set up with only star, beam or pentagonal flails will not penetrate the work surface at satisfactory rates. This configuration will minimize the hammering or impact action of the flails.

Variances in material thickness and manufacturing processes can affect the final thickness of both flails and spacer washers. Because of this occurrence, trial and error is important for assembling flails and

# ASSEMBLY INSTRUCTIONS/OPERATIONS

spacer washer on the scarifier block. By mixing and matching flails and spacer washers of specific thicknesses, the required number of components can be assembled on a block in a minimum amount of time.

## **! DANGER**

**USE ONLY FACTORY SUPPLIED SPACER WASHERS ON THE SCARIFIER BLOCK. OTHER WASHER TYPES AND/OR CONFIGURATIONS CAN PRODUCE ABNORMAL WEAR AND ELONGATION, RESULTING IN COMPLETE SEPARATION FROM THE SCARIFIER BLOCK. INADVERTENT SPACER WASHER SEPARATION CAN LEAD TO PROPERTY DAMAGE AND/OR PERSONAL INJURY.**

### **Scarifier Block Bushing**

Scarifier block bushings are designed to be discarded whenever the flails are replaced. FIGURE 11. Normal wear should be uniform about the bushing circumference.



FIGURE 11

Uneven bushing wear would suggest the following problems:

- 1) Inadequate free play exists between the flails/spacer washers and the scarifier block case. If the flails and spacer washers do not have complete freedom of movement, they will not be capable of properly rotating about the scarifier block bushing. The result is bushing wear usually confined to two locations that are 180 degrees apart. Variances in flail and spacer washer thicknesses affect free play when assembled on the scarifier block.

Because free play is also created during the scarifying process due to actual flail and spacer

washer wear, a certain amount of "tightness" can sometimes be tolerated without affecting the service life of the bushings and flails. The specific amount of "tightness" can usually be determined through trial and error. If the flails and spacer washers appear too tight on the scarifier block, remove an appropriate flail or washer and reassemble the block. If a short, operational test indicates normal component wear patterns, the apparent problem has been solved. A general rule for consideration: it is better to have the flails and spacer washers a "little too loose than a little too tight".

- 2) Mixing both worn and new flails on the scarifier block. Proper flail action against the work surface material requires that the flails be of the same approximate dimensions. Flails with various inside and outside dimensions will not impact the work surface material with the same intensity and deliver the same results. Flail bushing wear is directly proportional to the amount of force it must supply against each individual flail. When a bushing can no longer supply adequate force against the flails, it will break, allowing the flails to be hurled against the inside of the SURFACE GRINDER frame. The more aggressive flails require greater forces to keep them contained on the block. These forces, in turn, create faster and/or uneven bushing wear rates.

Because scarifier bushings are a critical component of the actual scarifying process, it is important that each bushing be inspected on a regular basis to determine proper structural integrity.

### **Wire brushes**

Typical applications include light scarifying and cleaning of concrete, asphalt, steel and tile surfaces. Wire brushes are secured to the machine with plastic wedges. FIGURE 12.

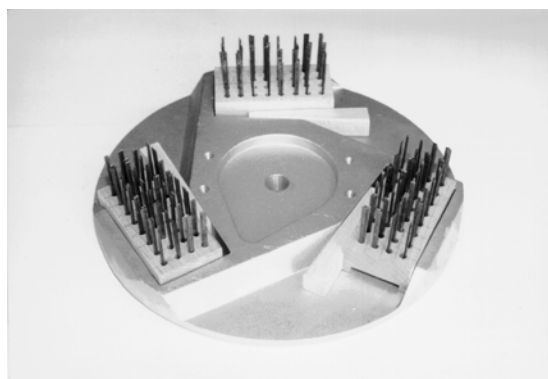


FIGURE 12

# ASSEMBLY INSTRUCTIONS/OPERATIONS

Wire brushes are available in a number of flat wire sizes and resulting configurations. With continuous use, the flat wire will take a "set" that can limit effectiveness and overall productivity. FIGURE 13. For best results, flat wire brushes should be rotated end for end in the aluminum multi-accessory discs a minimum of once for every one hour of operation. External weight applied to the SURFACE GRINDER will not normally increase productivity rates and only accelerate flat wire wear rates.



FIGURE 13

## Floor Brushes

Eleven inch diameter, silicon carbide impregnated, floor brushes are available in a number of styles and designs for general maintenance and cleaning projects. FIGURE 14. They are especially effective cleaning soiled concrete floors with the addition of water soluble solvents. These types of brushes are directly mounted to the multi-accessory discs with the included 1/2 inch x 2 inch long Grade 5 capscrews. A kidney shaped drive plate is provided on the back side of the brush. This drive plate fits into a recess provided in the multi-accessory disc. FIGURE 15. To maximize bristle service life, it is recommended that the silicon impregnated brushes be rotated between multi-accessory discs a minimum of once for every one hour of operation.



FIGURE 14



FIGURE 15

## SCRAPE-R-TACH® Industrial Floor Coatings Removal System

This multi-accessory attachment is designed to remove many urethanes, epoxies, paints, mastics and other, similar material accumulations from concrete floor surfaces. FIGURE 16. Each assembly utilizes two tungsten carbide inserts set at a precise angle. The rotating inserts "cut and shave" against the work surface material with a "scraping" action that removes materials with highly productive results. To increase the effectiveness of the inserts, the scraper block design incorporates a Lord® type rubber mount that helps absorb damaging shocks while allowing the inserts to more easily follow local variations in the surface contour. Units are secured to the machine with plastic wedges.

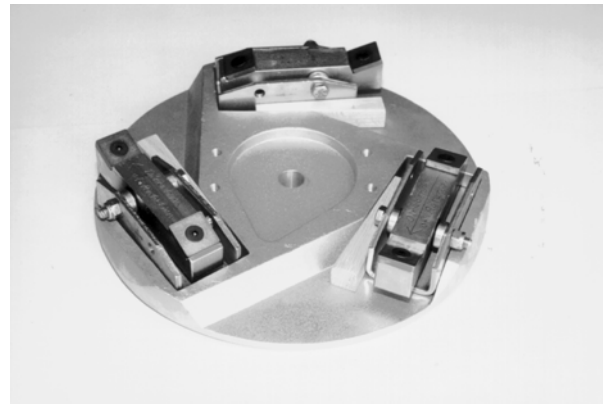


FIGURE 16

The productivity of the product is directly dependent upon the yield and tensile strength of the material being removed. Material thickness has also shown to have a direct effect on overall productivity. For example, the SCRAPE-R-TACH system is a highly productive method for removing thick paint accumulations from factory floors. Production rates

# ASSEMBLY INSTRUCTIONS/OPERATIONS

of up to several hundred square feet per hour can be realized. However, many thin film (ie: 5 mill thickness and thinner) urethane coatings present a much more difficult removal problem. Since removal rates are also directly affected by applied down force, up to 300 lbs of external weight can be applied to the SURFACE GRINDER to increase productivity. Cement blocks or stacked bags of cement make excellent weights and can be secured with "bungy" cords or other means with the provided holes in the top cover. FIGURE 17.



FIGURE 17

Each insert provides 8 scraping edges. As an edge become dull and worn, the insert can be turned and reinstalled to expose a new, sharp edge. FIGURE 18. When all 4 edges of one side become worn and dull, the insert can be turned over to expose an additional 4 edges.

Many materials such as adhesives, rubber deposits and mastics have the tendency to extrude or smear rather than shear from the concrete floor material. The occurrence is also aggravated by higher ambient temperatures. This problem can be significantly reduced with the addition of various amounts of water or a water saturated, fine sand combination placed on the floor. The use of the Safety and Dust Shield Assembly with the SURFACE GRINDER is highly recommended to contain the water/sand slurry mixture from damaging surrounding walls and other vertical surfaces. FIGURE 19.



FIGURE 18

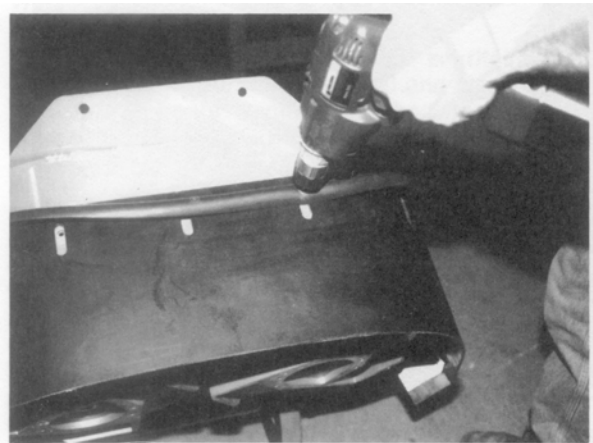


FIGURE 19

To index the tungsten carbide insert, proceed as follows:

Tools required:

1 each, 5/32 Allen wrench.

- 1) Clean the SCRAPE-R-TACH unit with a suitable safety solvent to remove excess material build-up. Remove as much foreign material from the female hexagon socket area of the capscrew. This will allow the wrench to make full contact and maximize the torque transfer to the cap screw.



# ASSEMBLY INSTRUCTIONS/OPERATIONS

## ⚠ CAUTION

Follow all safety precautions for the safety solvent.

- 2) Remove the cap screw from the unit. Clean the newly exposed areas of the insert and SCRAPE-R-TACH unit with the safety solvent. Clean and inspect the threaded holes found in older units for excess wear. New style SCRAPE-R-TACH units feature a through hole design.
- 3) Index the insert to expose a new edge. Reinstall the capscrew and apply a torque value that properly seats the insert firmly against the body of the unit.

## ⚠ CAUTION

An insufficient seating torque value will allow the insert to become loose from the unit body, resulting in premature component wear and improper scraping action. An excessive torque value will strip the threads of the capscrew or unit body.

- 4) Determine that the unit body is free to rotate about the 5/16 inch diameter capscrew that retains the body to the unit. A body that does not freely rotate indicates that a material build-up exists between the rubber mount and retaining capscrew exits. This build-up must be removed by disassembling the body from the unit and cleaning all contact areas with the safety solvent. FIGURE 20.

The SCRAPE-R-TACH system is designed to be installed with the edge of the tungsten carbide inserts facing the direction of rotation. Markings are provided to indicate proper direction of rotation.

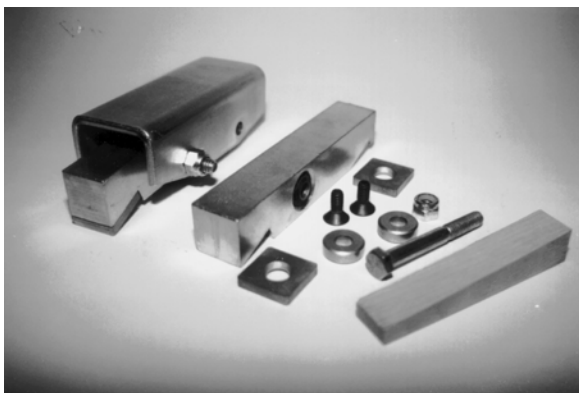


FIGURE 20

## ⚠ CAUTION

Installing the SCRAPE-R-TACH system with the tungsten carbide inserts facing opposite the rotation direction will not deliver satisfactory material removal rates and result in premature component wear requiring early replacement.

### Multi-Segmented, Dry Diamond Disc

Many times increased concrete removal rates can be achieved with the use of multi-segmented, dry diamond discs. FIGURE 21. These discs are designed to operate dry or can also be utilized with water. If the wet option is chosen, an external source for providing water must be devised. No provision for water use is provided with the SURFACE GRINDER. Typical discs are approximately 10 inch diameter and feature up to 20 diamond segments that are welded or brazed to each assembly.

To install the multi-segmented, dry diamond discs, the standard, aluminum, multi-accessory discs are first removed from the SURFACE GRINDER. The diamond discs fasten directly to the gimbal heads with 3/8 inch diameter x 1 inch long Allen head capscrews. FIGURE 22. The rear wheel assembly is then placed in the lowest position to compensate for the thickness variance of the diamond discs. FIGURE 23.



FIGURE 21

# ASSEMBLY INSTRUCTIONS/OPERATIONS

To maximize the service life of the diamond segments, it is recommended that the blades be rotated between gimbal heads a minimum of once for every 8 hours of operation.

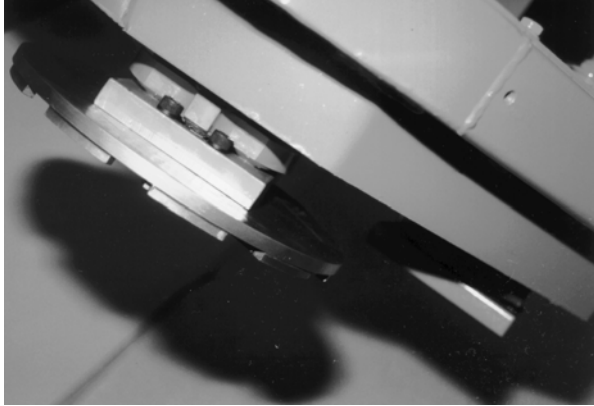


FIGURE 22

## Diamond Segment Block

The diamond insert block is designed to compliment the multi-segmented diamond disc where a quick changeover feature to other attachments is desired.

Diamond segments are retained into a steel block assembly and deliver up to 5 times greater productivity rates than the silicon carbide stones. FIGURE 24. The design resists clogging while delivering a conservative service life up to 15 times longer than the stones. Diamond is the ideal choice for larger concrete removal projects and the removal of epoxies, paints and many thin film coatings.

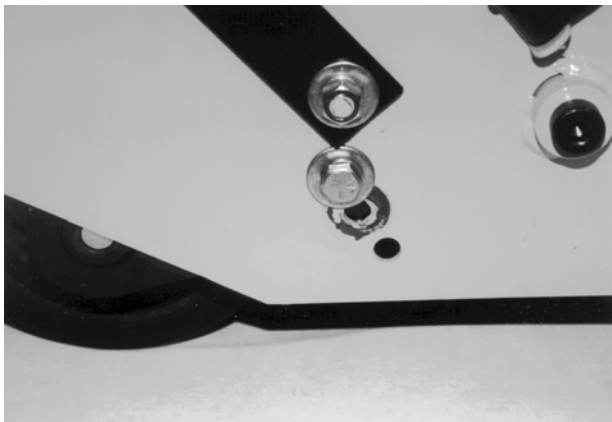


FIGURE 23

The concept is especially useful for removing a thin layer of concrete in final preparation for a new coating application. Can be used in both wet and dry

job applications. Worn inserts are easily replaced in a matter of seconds. Service life is dependent upon many variables, but can approach 35,000 square feet per set, making it a cost efficient solution for many job applications.



FIGURE 24

## INSTALLING A MULTI-ACCESSORY ATTACHMENT (not including multi-segmented, dry diamond discs) IN THE COUNTERROTATING DISCS.

**Application: All Models.**

Tools Required:

1 each, Small Hammer

Parts Required:

6 each, P/N 29019-017 Mounting Wedge

## ⚠ DANGER

**WHEN INSTALLING A MULTI-ACCESSORY ATTACHMENT ON THE SURFACE GRINDER ALWAYS WEAR THE APPROPRIATE SAFETY EYEWEAR AND APPAREL TO MINIMIZE THE POTENTIAL FROM FLYING DEBRIS. FLYING DEBRIS CAN RESULT IN PROPERTY DAMAGE AND/OR PERSONAL INJURY.**

- 1) If the SURFACE GRINDER is powered by an engine, disconnect the spark plug wire. If powered by an electric motor, properly disconnect the extension cord or SURFACE GRINDER from the power source.
- 2) Tilt the SURFACE GRINDER back until the operator handle comes in contact with the surface. The SURFACE GRINDER may not be in a stable position in this configuration. To minimize the possibility of property damage and/or personal injury, properly secure an

# ASSEMBLY INSTRUCTIONS/OPERATIONS

appropriate weight to the handle for added stability. Other means can also be utilized to support the frame and provide proper machine stability. Appropriate wheel chocks are also recommended. FIGURE 25.

## **!** DANGER

**EXERCISE EXTREME CAUTION WHEN WORKING NEAR OR UNDER THE SURFACE GRINDER WITH THE OPERATOR HANDLE TILTED BACK IN THE SERVICE POSITION. IF THE SURFACE GRINDER IS NOT POSITIONED IN A STABLE CONFIGURATION, WITH ADEQUATE COUNTERWEIGHT PROPERLY SECURED, UNEXPECTED MOVEMENT CAN ALLOW THE SURFACE GRINDER TO FALL BACK TO THE WORK SURFACE. THE RESULT CAN BE PROPERTY DAMAGE AND/OR PERSONAL INJURY.**

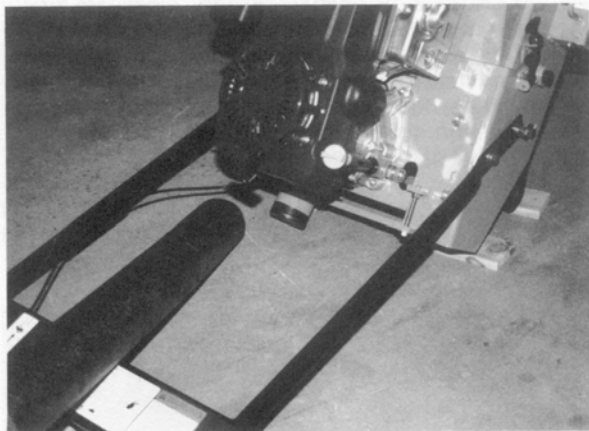


FIGURE 25

- 3) Mount the multi-accessory attachment into the slots provided in the multi-accessory discs. If the attachment is directional in design, determine that its mounting position in the disc allows for proper operation.
- 4) Force a Mounting Wedge P/N 229019-017 into the area between the multi-accessory attachment and the inside rib of the aluminum disc by hand. The straight side of the mounting wedge contacts the multi-accessory attachment. The angled side of the mounting wedge contacts the rib of the disc. FIGURE 26. An improper mounting configuration is depicted in FIGURE 27.

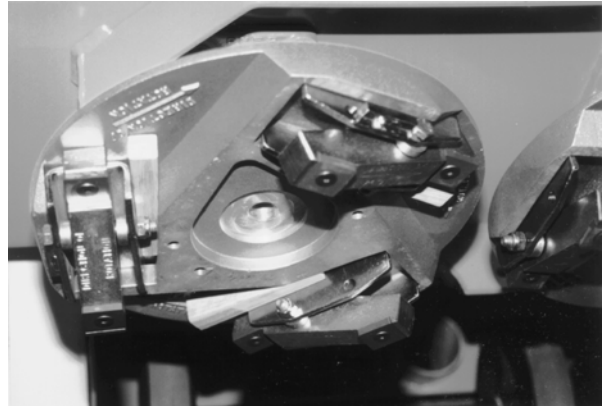


FIGURE 26

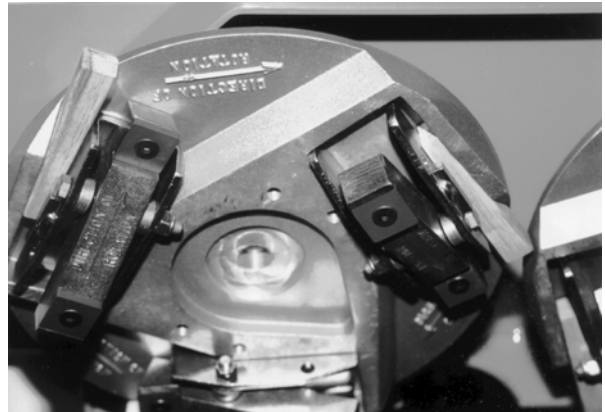


FIGURE 27

## **!** DANGER

**DO NOT OPERATE THE SURFACE GRINDER WITH THE 229019-017 MOUNTING WEDGES IN AN IMPROPER MOUNTING CONFIGURATION. MOUNTING A WEDGE BETWEEN THE MULTI-ACCESSORY ATTACHMENT AND THE OUTSIDE RIB OF THE ALUMINUM DISC CAN ALLOW THE WEDGE TO COME IN DIRECT CONTACT WITH A VERTICAL WALL AND/OR FLOOR OBSTRUCTION. SUCH OCCURRENCE CAN RESULT IN LOSS OF MACHINE CONTROL, PROPERTY DAMAGE AND/OR PERSONAL INJURY.**

**BEFORE OPERATING THE SURFACE GRINDER WITH ANY MULTI-ACCESSORY ATTACHMENT, DETERMINE THAT NO PORTION OF THE ATTACHMENT AND/OR MOUNTING WEDGE EXTENDS BEYOND THE NORMAL PERIMETER OF THE ALUMINUM DISC.**

# ASSEMBLY INSTRUCTIONS/OPERATIONS

- 5) Using a hammer, strike the wider side of the mounting wedge with controlled, direct blows to firmly seat the multi-accessory attachment into the aluminum disc. Usually one or two direct blows will be sufficient to properly retain the attachment.

## CAUTION

Do not apply excessive impact force to the mounting wedge to cause splitting. Once the multi-accessory attachment is seated in the aluminum disc, further impact force on the wedge will not increase the seating force.

## CAUTION

Improper seating force created by an excessive blow to the mounting wedge will not allow the attachment to properly release from the aluminum disc if direct contact with a foreign object is made. Such occurrence can result in property damage and/or personal injury. The correct seating force for a specific job application is that which is sufficient to retain the attachment, yet still allows it to release from the aluminum disc when direct contact with a foreign object is made.

- 6) Determine that the multi-accessory attachment is in full contact with the aluminum disc. If not in proper contact, refer to REMOVING A MULTI-ACCESSORY ATTACHMENT (not including multi-segmented, dry diamond blades) FROM THE COUNTERROTATING DISCS for proper removal procedures.
- 7) Return the SURFACE GRINDER to its normal operating position.
- 8) If the SURFACE GRINDER is powered by an engine, reconnect the engine spark plug wire. If powered by an electric motor and the machine is to be used immediately, reconnect the extension cord or SURFACE GRINDER to the power source. Determine that the ON/OFF switch located on the operator handle is in the OFF position.

## DANGER

**UNEXPECTED MACHINE START UP CAN RESULT IN PROPERTY DAMAGE AND/OR PERSONAL INJURY.**

**REMOVING A MULTI-ACCESSORY ATTACHMENT (not including multi-segmented, dry diamond discs) FROM THE COUNTERROTATING DISCS.**

**Application: All Models.**

Tools Required:

- 1 each, Small Hammer
- 1 each, Drift Punch or small, Pry Bar

## DANGER

**WHEN REMOVING A MULTI-ACCESSORY ATTACHMENT FROM THE SURFACE GRINDER, ALWAYS WEAR APPROPRIATE SAFETY EYEWEAR AND APPAREL TO MINIMIZE THE POTENTIAL FROM FLYING DEBRIS. FLYING DEBRIS CAN RESULT IN PROPERTY DAMAGE AND/OR PERSONAL INJURY.**

- 1) If the SURFACE GRINDER is powered by an engine, disconnect the spark plug wire. If powered by an electric motor, disconnect the extension cord or SURFACE GRINDER from the power source.
- 2) Tilt the SURFACE GRINDER back until the operator handle comes in contact with the surface. Follow the instructions for this procedure as outlined in INSTALLING A MULTI-ACCESSORY ATTACHMENT (not including multi-segmented, dry diamond blades) IN THE COUNTERROTATING DISCS.
- 3) The multi-accessory attachment can be removed by both the use of a drift punch or small, pry bar. If utilizing the drift punch, strike the narrow end of the mounting wedge with controlled, direct blows until the attachment is released from the aluminum disc. If utilizing the pry bar, position the bar between the aluminum disc and the attachment. Use controlled, direct blows to the bar in order to force the attachment loose from the aluminum disc. FIGURE 28.

# ASSEMBLY INSTRUCTIONS/OPERATIONS

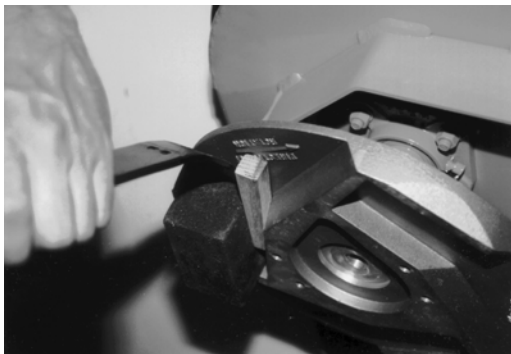


FIGURE 28

## ⚠ CAUTION

Do not utilize excessive force when removing a multi-accessory attachment with the pry bar. Excessive force can result in damage to the aluminum disc. Proper removal techniques by both methods will result in minimal damage to the aluminum disc.

- 4) Return the SURFACE GRINDER to its normal operating position.
- 5) If the SURFACE GRINDER is powered by an engine, reconnect the spark plug wire. If powered by an electric motor and the machine is to be used immediately, reconnect the extension cord or SURFACE GRINDER from the power source. Determine that the ON/OFF switch located on the operator handle is in the OFF position.

## ⚠ DANGER

UNEXPECTED MACHINE START UP CAN RESULT IN PROPERTY DAMAGE AND/OR PERSONAL INJURY.

### TRANSPORTING THE SURFACE GRINDER.

**Application: All Models.**

The SURFACE GRINDER has an operational weight that prohibits one person from loading and/or unloading it alone by conventional, physical efforts.

## ⚠ DANGER

DO NOT ATTEMPT TO LIFT THE SURFACE GRINDER UP INTO A TRANSPORTATION VEHICLE WITH THE USE OF ONE PERSON ALONE. DO NOT ATTEMPT TO LOWER THE SURFACE GRINDER FROM A TRANSPORTATION VEHICLE WITH THE USE OF ONE PERSON ALONE. LIFT AND/OR LOWER THE SURFACE GRINDER ONLY BY THE USE OF A POWER TAILGATE UNIT, A SUITABLE HOIST UNIT OF PROPER CAPACITY AND/OR CONFIGURATION OR BY THE USE OF A PROPER QUANTITY OF PERSONNEL IN PROPER PHYSICAL CONDITION.

- 1) A lifting bail device can be used to facilitate lifting by a mechanical device incorporating a chain and suitable attachment device. The location of the lifting bail may not always locate the exact position of the center of gravity for the SURFACE GRINDER. Lifting handles are also provided on both sides of the transmission case. These handles can be utilized by personnel whenever lifting/lowering the SURFACE GRINDER or as attachment points for a chain sling whenever a suitable hoisting device is utilized. FIGURE 29.

## ⚠ DANGER

EXERCISE EXTREME CAUTION WHEN UTILIZING A MECHANICAL DEVICE FOR LIFTING THE SURFACE GRINDER. UTILIZE THE MECHANICAL DEVICE IN ACCORDANCE TO BOTH ITS STATED STATIC AND DYNAMIC LOADING ENVELOPES. DO NOT UTILIZE THE MECHANICAL DEVICE UNTIL THIS INFORMATION IS PROPERLY KNOWN AND UNDERSTOOD BY ALL APPLICABLE PERSONNEL. FAILURE TO PROPERLY UTILIZE THE MECHANICAL DEVICE CAN RESULT IN PROPERTY DAMAGE AND/OR PERSONAL INJURY.

- 2) When transporting the SURFACE GRINDER on a motor vehicle, the fuel tank breather vent (if so equipped) must be completely closed to eliminate the accidental seepage of fuel and resulting potential fire and environmental hazards.

- 3) To minimize the possibility of damage to the SURFACE GRINDER, always transport in its normal, upright position. All equipment must be secured in/on vehicles with suitable strapping or tie-downs. Personnel should not be transported in the same compartment as equipment and fuel supplies.

# ASSEMBLY INSTRUCTIONS/OPERATIONS

Consult applicable OSHA, AGA, CGA, etc. regulations for the proper transportation flammable gases.

## ADJUSTING THE OPERATOR HANDLE HEIGHT.

### Application: All Models.

The DFG Series SURFACE GRINDER incorporates a handle that can be adjusted to compensate for variances in operator heights. Three adjustment heights are provided. Correct handle height can increase overall machine productivity and reduce operator fatigue.



FIGURE 29

### Tools Required:

1 each, 3/4 wrench or suitable alternative.

- 1) Using the wrench, loosen the 1/2-inch hexagon nuts from the stud assemblies that retain the handle to the main frame.
- 2) Using the wrench, remove the 1/2-inch cap screws that retain the handle in position on the main frame.

## **!** DANGER

**EXERCISE EXTREME CAUTION WHEN REMOVING THE RETAINING CAPSCREWS FROM THE MAIN FRAME. WHEN THE FINAL CAPSCREW IS REMOVED, THE HANDLE IS PROVIDED WITH NO EXTERNAL SUPPORT AND WILL IMMEDIATELY DROP TO THE FLOOR. SUCH OCCURRENCE CAN RESULT IN PROPERTY DAMAGE AND/OR PERSONAL INJURY.**

- 3) Reposition the operator handle in the desired location that aligns the hole in the handle with the threaded hole in the main frame. Replace

the 1/2-inch hexagon cap screws and properly tighten with the wrench. FIGURE 30.

- 4) Using the wrench, properly tighten the 1/2-inch hexagon nuts on the stud assemblies that retain the handle to the main frame.



FIGURE 30

## STARTING THE DFG/E SERIES ELECTRICALLY POWERED SURFACE GRINDER ON THE JOBSITE.

- 1) Position the SURFACE GRINDER on a flat and level surface of firm foundation.
- 2) Determine that the ON/OFF switch located on the operator handle is in the OFF position.

## **!** DANGER

**UNEXPECTED MACHINE START UP CAN RESULT IN PROPERTY DAMAGE AND/OR PERSONAL INJURY.**

- 3) Select the appropriate operating voltage for the electric motor. The motor is designed to operate from a clean, 20 ampere, 115 VAC, 60 Hz nominal or a clean, 10 ampere, 230 VAC, 60 Hz nominal power source. A clean power source refers to the amperage available on the individual electrical circuit selected. Additional electrical products already utilizing the same circuit will reduce the available amperage, resulting in starting and operational difficulties.

A voltage switch (115/230 VAC, 60 Hz) is provided on the motor. For added security, the voltage switch can be locked in position with a combination or keyed lock with an extended shank length. FIGURE 31.

# ASSEMBLY INSTRUCTIONS/OPERATIONS

## ⚠ CAUTION

Operating the SURFACE GRINDER from a power source of improper voltage and amperage will result in un-repairable damage to the electric motor and related controls.



FIGURE 31

- 4) Providing proper voltage and amperage levels to the electric motor is essential to obtain maximum productivity and service life. Low voltage and amperage levels will cause the motor to overheat. The motor is equipped with automatic thermal protection device that will stop it before major internal damage can result. After the motor has cooled to an acceptable temperature level, the switch must be manually activated to restart. FIGURE 32.



FIGURE 32

To minimize the voltage drop to the motor, all extension cords should be copper stranded, 8 AWG or larger. A NEMA 6-20R twist-lock type receptacle is provided with the DFG/E Series

SURFACE GRINDER as a standard accessory. The twist lock feature allows the extension cord to be pulled by the SURFACE GRINDER without becoming detached. Wire the NEMA 6-20R receptacle to the appropriate extension cord that will be coupled to the NEMA 6-20P plug provided on the SURFACE GRINDER. FIGURE 33.

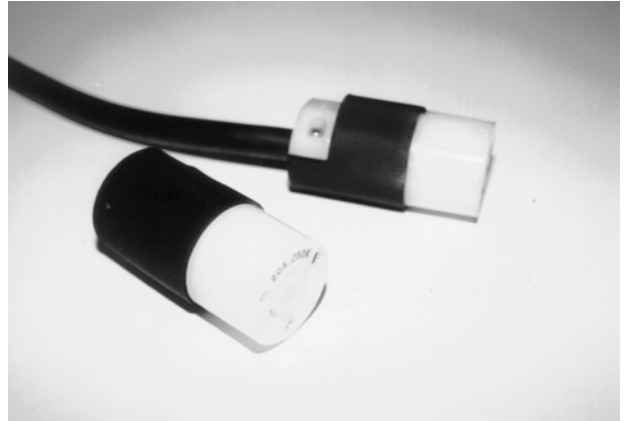


FIGURE 33

## ⚠ DANGER

PROPERLY INSPECT ALL EXTENSION CORDS AND WIRING DEVICES FOR STRUCTURAL INTEGRITY. DO NOT UTILIZE A CORD WITH A WORN OR CUT OUTER JACKET MATERIAL. DO NOT UTILIZE A CORD WITH EXPOSED INNER WIRES OR INSULATION MATERIAL. DO NOT UTILIZE A CORD THAT HAS BEEN REPAIRED WITH ELECTRICAL TAPE. USE OF A AN EXTENSION CORD OF IMPROPER STRUCTURAL INTEGRITY CAN RESULT IN PROPERTY DAMAGE AND/OR PERSONAL INJURY.

## ⚠ DANGER

ALL ELECTRICAL WIRING MUST BE INSTALLED AND/OR APPROVED IN ACCORDANCE TO LOCAL ELECTRICAL CODES AND PRACTICES. AN IMPROPER WIRING INSTALLATION CAN RESULT IN PROPERTY DAMAGE AND/OR PERSONAL INJURY.

- 5) Determine that the power outlet to be utilized is properly grounded. This can be accomplished with proper testing equipment and procedures. If there are any questions regarding the suitability of a specific power outlet, contact the Customer Service Department for assistance BEFORE

# ASSEMBLY INSTRUCTIONS/OPERATIONS

utilizing the SURFACE GRINDER. There is no charge for this service. A qualified electrician can also be consulted. If a 115 VAC power outlet is selected, it is recommended that a properly tested, externally mounted, ground fault circuit interrupter (GFCI) be utilized at all times as an additional safety precaution. Ground fault circuit interrupters are not available for operation on 230 VAC. FIGURE 34.



FIGURE 34

## **! DANGER**

**FOR MAXIMUM PROTECTION AGAINST A FAULT, ALWAYS CONFIGURE THE GROUND FAULT CIRCUIT INTERRUPTER TO BE PLUGGED INTO THE EXTENSION CORD. A CONFIGURATION WITH THE GROUND FAULT CIRCUIT INTERRUPTER PLACED BETWEEN THE POWER SOURCE AND THE EXTENSION CORD WILL NOT AFFORD MAXIMUM PROTECTION AGAINST A POTENTIAL FAULT.**

- 6) Couple the NEMA 6-20R receptacle and the NEMA 6-20P plug together.
- 7) Grasp the operator handle with firm gripping. When starting the electric motor, apply a down force directly to the operator handle to help reduce the amount of machine weight against the work surface. Turn the ON/OFF switch to the ON position. Reduce the amount of applied down force on the operator handle as the electric motor attains its operational speed.

When operating on 115 VAC, the electric motor will require additional starting time to help compensate for the additional starting amperage requirement. This time is usually within two seconds of activating the ON/OFF switch.

- 8) The DFG/E Series electrically powered SURFACE GRINDER is not equipped with a centrifugal clutch assembly. The electric motor is directly coupled to the multi-accessory discs by a V-belt/spur gear transmission.

## **! DANGER**

**AS SOON AS THE ELECTRIC MOTOR HAS STARTED, THE OPERATOR MUST BE IN A POSITION TO ASSUME DIRECT AND FULL CONTROL OF THE SURFACE GRINDER. FAILURE TO ASSUME DIRECT AND FULL CONTROL CAN RESULT IN PROPERTY DAMAGE AND/OR PERSONAL INJURY.**

- 9) The DFG/E Series electrically powered SURFACE GRINDER is stopped by moving the ON/OFF switch located on the operator handle to the OFF position. For safety considerations, it is also recommended that the extension cord be disconnected from both the SURFACE GRINDER and electric power source whenever the SURFACE GRINDER is not in use on the job site.

## **STARTING THE DFG/G SERIES GASOLINE POWERED SURFACE GRINDER ON THE JOBSITE.**

- 1) Position the SURFACE GRINDER on a flat and level surface of firm foundation.
- 2) Refer to the material supplied by the engine manufacturer for the correct starting, operation and stopping procedures.
- 3) The DFG/G Series SURFACE GRINDER is equipped with a centrifugal clutch assembly. The clutch is designed to engage at approximately 2400 RPM engine speed. Normal operation of the clutch will allow the engine to operate at its designated idle speed without the multi-accessory discs rotating. If the multi-accessory discs rotate below the designated engine idle speed, do not continue to operate the SURFACE GRINDER until the problem has been properly corrected. Consult the Customer Service Department for specific information. There is no charge for this service.



# ASSEMBLY INSTRUCTIONS/OPERATIONS

## **⚠ DANGER**

AS SOON AS THE CENTRIFUGAL CLUTCH ASSEMBLY BECOMES ENGAGED, THE OPERATOR MUST BE IN A POSITION TO ASSUME DIRECT AND FULL CONTROL OF THE SURFACE GRINDER. FAILURE TO ASSUME DIRECT AND FULL CONTROL CAN RESULT IN PROPERTY DAMAGE AND/OR PERSONAL INJURY.

## **⚠ DANGER**

DO NOT OPERATE A GASOLINE ENGINE IN CLOSED SPACES WITHOUT PROPER VENTILATION. GASOLINE ENGINES PRODUCE CARBON MONOXIDE FUMES. BREATHING CARBON MONOXIDE FUMES CAN RESULT IN PROPERTY DAMAGE AND/OR PERSONAL INJURY. EXCESSIVE LEVELS OF CARBON MONOXIDE CAN CAUSE DEATH.

- 4) Stop the engine in accordance with the instructions as described in the material supplied by the engine manufacturer.

### **OPERATING THE SURFACE GRINDER ON THE JOBSITE.**

Application: All Models.

## **⚠ DANGER**

THE GRINDING PROCESS PRODUCES EXCESSIVE NOISE, VIBRATION AND FLYING DEBRIS. ALL OPERATORS AND WORK PERSONNEL IN THE VICINITY OF THE SURFACE GRINDER MUST WEAR APPROPRIATE SAFETY EYE WEAR AND HEARING PROTECTION DEVICES. OTHER SAFETY APPAREL AND/OR PROCEDURES, DEEMED NECESSARY BY SUPERVISORY PERSONNEL MUST ALSO BE WORN AND/OR PRACTICED BY ALL APPROPRIATE PERSONNEL.

## **⚠ DANGER**

EXERCISE EXTREME CAUTION WHEN OPERATING THE SURFACE GRINDER IN THE VICINITY OF DECK INSERTS, PIPES, COLUMNS, OPENINGS, LARGE CRACKS, UTILITY OUTLETS OR ANY OBJECT PROTRUDING FROM THE SURFACE. CONTACT WITH SUCH OBJECTS CAN LEAD TO LOSS OF MACHINE CONTROL, RESULTING IN PROPERTY DAMAGE AND/OR PERSONAL INJURY.

## **⚠ DANGER**

DO NOT OPERATE A GASOLINE ENGINE IN CLOSED SPACES WITHOUT PROPER VENTILATION. GASOLINE ENGINES PRODUCE CARBON MONOXIDE FUMES. BREATHING CARBON MONOXIDE FUMES CAN RESULT IN PROPERTY DAMAGE AND/OR PERSONAL INJURY. EXCESSIVE LEVELS OF CARBON MONOXIDE CAN CAUSE DEATH

- 1) The SURFACE GRINDER incorporates counter-rotating discs for mounting a wide variety of multi-accessory attachments. The counterrotating action results in a "self propelled" effect that substantially enhances machine control and reduces fatigue as long as the multi-accessory attachment does not come in direct contact with a protruding obstruction from the floor. Direct contact with such an obstruction can result in rapid and jerky directional movement of the machine. In most operating situations, direct contact with a protruding obstruction from the floor will result in the multi-accessory attachment becoming dislodged from the counter-rotating disc. This occurrence is intended to protect the SURFACE GRINDER from excessive damage and allow the operator to remain in proper control of the machine.

## **⚠ DANGER**

ALWAYS MAINTAIN PROPER CONTROL OF THE SURFACE GRINDER. IF AN OPERATOR LOOSES CONTROL OF THE MACHINE, A "RUNAWAY" SURFACE GRINDER CAN RESULT IN PROPERTY DAMAGE AND/OR PERSONAL INJURY. BECAUSE OF THE UNIQUE OPERATING CHARACTERISTICS OF THE SURFACE GRINDER, THERE IS NO PROVISION FOR THE ELECTRIC MOTOR/ENGINE TO AUTOMATICALLY STOP IF THE OPERATOR FAILS TO MAINTAIN PROPER CONTROL.

## **⚠ DANGER**

WHEN OPERATING THE SURFACE GRINDER ON ABOVE GROUND FLOOR LEVELS, EXERCISE EXTREME CAUTION TO PREVENT LOSS OF CONTROL THAT COULD ALLOW THE MACHINE AND/OR OPERATOR TO FALL DOWN TO LOWER LEVELS. SUCH AN OCCURRENCE CAN

# ASSEMBLY INSTRUCTIONS/OPERATIONS

## RESULT IN PROPERTY DAMAGE AND/OR PERSONAL INJURY.

- 2) Productivity rates with the various multi-accessory attachments can be increased with the addition of external weight being applied to the area over the counter-rotating discs. FIGURE 36. Maximum allowable external weight is 300 lbs. Exceeding this figure can result in permanent structural damage to the SURFACE GRINDER. Provisions for securing the weight by the means of strapping or other, appropriate methods is provided.

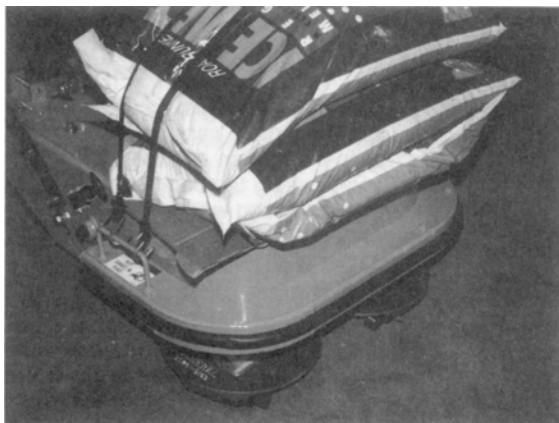


FIGURE 36

## **! DANGER**

**DO NOT OPERATE THE SURFACE GRINDER WITHOUT ALL EXTERNAL WEIGHT PROPERLY SECURED TO THE MAIN FRAME. A SUDDEN CHANGE IN MOVEMENT OR DIRECTION CAN ALLOW THE UNSECURED WEIGHT TO FALL OFF THE SURFACE GRINDER, RESULTING IN LOSS OF MACHINE CONTROL, PROPERTY DAMAGE AND/OR PERSONAL INJURY. THIS PROCEDURE IS ESPECIALLY IMPORTANT WHEN OPERATING THE SURFACE GRINDER ON FLOORS AND/OR SURFACES ABOVE GROUND LEVEL.**

- 3) Proper operator posture and stance will enhance operational safety and overall productivity. FIGURE 38. For most job applications, operate the engine at maximum, governed speed. Consult the material supplied by the engine manufacturer and the SPECIFICATIONS section for specific information.

- 4) The wide variety of potential work surface materials along with the corresponding variety of job site environments, makes it impossible to develop a standardized operating procedure for the SURFACE GRINDER. Use of the SURFACE GRINDER will require constant trial and error testing until satisfactory results are achieved. Experience gained over time and common sense will help minimize the amount of necessary testing. Many factors will directly affect the operating parameters and/or techniques utilized for a specialized job application. Some of these factors include:

- a) Work surface material yield and tensile values. As a general rule, these values will determine material removal rate per unit of time. Materials with high yield and tensile values will characteristically resist/limit material penetration. For such materials, the accepted procedure is to make a number of multiple passes over the work surface rather than attempt to make a single, deep pass. The net effect is to actually increase productivity: more material removed in less time. Other added benefits to this technique are decreased vibration, less operator fatigue and increased component service life.



FIGURE 38

- b. Higher material removal rates can sometimes be achieved by making a series of shallow passes 90 degrees to each other to form a waffle like pattern. This technique is especially useful when removing deeper accumulations of rubber, paint, dirt debris, etc. from industrial floors.

# ASSEMBLY INSTRUCTIONS/OPERATIONS

- 5) The grinding process on many work surface materials can produce sparks, dust and other foreign particle contamination.

## ! DANGER

SPARKS PRODUCED BY THE ACTIONS OF MULTI-ACCESSORY OPTIONS AGAINST THE WORK SURFACE (FOR EXAMPLE: STRIKING ANCHOR BOLTS) MAY COME IN CONTACT WITH MATERIALS THAT CAN RESULT IN A FIRE AND/OR EXPLOSION. THIS OCCURRENCE CAN RESULT IN PROPERTY DAMAGE AND/OR PERSONAL INJURY.

## ! DANGER

THE CREATION OF DUST AND OTHER FOREIGN PARTICLE CONTAMINATION FROM THE OPERATIONAL PROCESS CAN RESULT IN PROPERTY DAMAGE AND/OR PERSONAL INJURY. FOR SUCH OPERATING CONDITIONS, ALWAYS WEAR A NIOSH/MSHA APPROVED DUST/MIST RESPIRATOR. CONSULT APPLICABLE OSHA REGULATIONS FOR SPECIFIC INFORMATION.

- 6) Dust and other particle contamination can be controlled by the following methods:
- The SURFACE GRINDER is equipped with a 1-1/2, 2 or 3 inch outside diameter vacuum tube adaptor located at the rear of the machine. An industrial type vacuum system and front shield assembly can be attached to the SURFACE GRINDER to remove/control dust and other particle contamination from the work surface. A hose clamp is sometimes required to properly secure the vacuum hose to the vacuum tube. FIGURE 39.

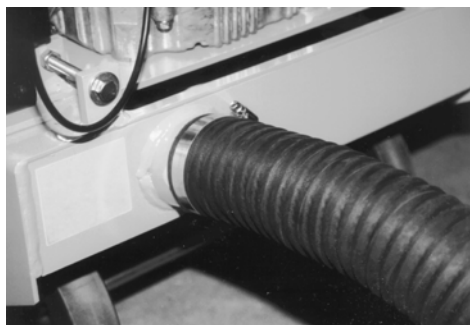


FIGURE 39

## ! DANGER

ALWAYS UTILIZE A VACUUM SYSTEM DESIGNED TO OPERATE WITHIN THE SPECIFIC JOB SITE REQUIREMENT. DUST MATERIAL CAN MEET CLASS II OR CLASS III SPECIFICATIONS OF THE NATIONAL ELECTRIC CODE® FOR HAZARDOUS LOCATION CLASSIFICATIONS. CONSIDERATION MUST ALSO BE GIVEN TO THE CREATION OF HAZARDOUS TYPE MATERIALS REQUIRING SPECIFIC DISPOSAL PROCEDURES. DETERMINE THAT THE VACUUM SYSTEM IS PROPERLY DESIGNED TO OPERATE WITHIN THESE ATMOSPHERES. CONSULT CURRENT NATIONAL ELECTRIC CODE®, OSHA AND ENVIRONMENTAL PROTECTION AGENCY REGULATIONS FOR SPECIFIC INFORMATION.

- Water/sand slurry mixture applied directly to the work surface can be an effective method of reducing the effects of grinding and other material removal processes. This method can be a productive alternative when removing adhesives containing asbestos. A negative effect of this method is that the water/sand slurry mixture can be classified as a hazardous material, requiring proper disposal procedures.
- 7) Normal usage of the SURFACE GRINDER will allow the build-up and accumulation of work surface materials on interior surfaces. It is highly recommended that both the interior and exterior surfaces be properly cleaned after the completion of each usage.

## ! CAUTION

Failure to properly clean the interior surfaces of the SURFACE GRINDER can result in dried material build-up and accumulation directly affecting bearing service life.

## ! DANGER

EXERCISE EXTREME CAUTION WHEN UTILIZING ANY SOLVENT TO REMOVE ACCUMULATED MATERIALS FROM THE SURFACES OF THE MACHINE AND RELATED COMPONENTS. MANY SOLVENTS ARE FLAMMABLE. DO NOT SMOKE OR INTRODUCE FLAME IN THE WORK AREA. PROVIDE ADEQUATE VENTILATION AND WEAR PROPER SAFETY APPAREL.

## **⚠ DANGER**

PROPERLY DISPOSE OF ALL ACCUMULATED MATERIALS PER OSHA AND ENVIRONMENTAL PROTECTION AGENCY CODES AND REGULATIONS. MANY ACCUMULATED MATERIALS CAN BE CLASSIFIED AS HAZARDOUS AND REQUIRE PROPER DISPOSAL PROCEDURES. CONTACT THE APPLICABLE GOVERNMENT AND/OR PRIVATE AGENCIES FOR SPECIFIC INFORMATION.

- 8) On job applications where the work process creates a considerable amount of loose material, it can become almost impossible to determine proper material removal depths and the extent of work already accomplished. The problem can be compounded if a vacuum system is not utilized. Loose material should be removed by sweeping or other, appropriate processes and the SURFACE GRINDER utilized until conditions again warrant removing the accumulated material.

### **STOPPING THE DFG/E SERIES ELECTRICALLY POWERED SURFACE GRINDER.**

- 1) Stopping the SURFACE GRINDER is accomplished by moving the ON/OFF switch located on the operator handle to the OFF position. For safety considerations, it is also recommended that the extension cord be disconnected from both the SURFACE GRINDER and electric power source whenever the SURFACE GRINDER is not in use on the jobsite

### **STOPPING THE DFG/G SERIES GASOLINE POWERED SURFACE GRINDER.**

- 1) Stopping the SURFACE GRINDER is accomplished by moving the engine throttle control lever to the idle speed position (depicted by the turtle). Machines powered by Honda engines can be then stopped by further moving the engine throttle control lever until the ignition system is grounded.
- 2) Machines powered by other engines may utilize a separate ON/OFF switch. If so equipped, turn the switch to the OFF position. Consult the material supplied by the engine manufacturer for specific information.

### **OPERATIONAL PARAMETERS AND TECHNIQUES FOR THE DFG SERIES SURFACE GRINDER.**

**Application: All Models.**

#### **Early Age Grinding**

Early age grinding is an alternative to floating and trowelling. It gets its name from the fact that the concrete is ground at an early age, after it has set but before it has gained much structural strength. The process usually involves the following steps:

- 1) Normal screeding of the floor.
- 2) Smoothing the floor surface with a skip float.
- 3) Cover the floor with polyethane sheeting.
- 4) Removing the sheeting and grinding the floor down a uniform depth of approximately 1/32 inch within 24 to 48 hours of the initial pouring.

The C06 and C10 silicon carbide grinding stones are usually used for the process, although the multi segmented, dry diamond blades can be used as an alternative with substantially greater productivity rates. The main benefit of early age grinding is that it eliminates late work in cold weather. With ordinary finishing methods, a slab cast in the morning of a cold weather day might not get finished trowelled until very late at night. With grinding, the construction crew are able to leave the job at the end of a normal work day and return 1 or 2 days later to finish the job. Early age grinding may not reduce the total number of work hours, but it usually eliminates the need for work at overtime rates, which can substantially increase total project costs.

One side benefit of early age grinding is that the process demands less skill than conventional floating and trowelling. This makes it an attractive process where skilled crew personnel may not be available. It is also an excellent procedure for concrete floors that will be eventually covered by carpet or an applied coating.

#### **Definitions of floor flatness and levelness**

The terms flatness and levelness have poorly understood meanings in everyday speech, but have important distinctions in floor construction.

Flatness is defined as planarity or lack of curvature. A more simple definition is that a flat floor is smooth and free of bumps and dips. An unflat floor is bumpy and wavy. Levelness is defined as horizontality or lack of slope. A level floor is horizontal. A floor that is unlevel is sloped or tilted.

A floor can be flat, but still not level. Some floors are specifically designed to be unlevel; they can be

# ASSEMBLY INSTRUCTIONS/OPERATIONS

intentionally sloped for drainage considerations. Very few, if any, floors are specifically designed to be unflat. Unfortunately, many turn out that way. Flatness and levelness are both desirable, but have different implications for the floor user. Flatness is critical where the user's main concern is the behavior of wheeled type vehicles. Levelness is critical where the user's main concern is with fixed structures such as shelving, racks and the placement of machine tools.

Exceptions exist, but for most users, flatness is more important than levelness. The reasoning is that fixed equipment can be shimmed or adjusted to compensate. However, it is not as easy to adapt a wheeled vehicle to a floor that is not flat enough to allow for proper action.

Flatness and levelness also have different implications for the floor contractor. Flatness is determined mainly by finishing methods. Levelness is determined mainly by the side forms.

## Defined Versus Random Traffic Patterns

Floors are subject to two kinds of traffic patterns: defined and random. On a defined traffic floor, vehicle movement is confined to fixed paths. On a random traffic floor, vehicles are free to roam, though inevitably, some traffic patterns are used more than others.

The distinction is important because the two kinds of traffic demand different methods of measuring surface regularity. On a defined traffic floor, a continuous (or nearly continuous) profile in each of the paths can be measured. But where traffic is random, the possible travel paths are infinite in number. What usually results is statistical sampling; selected points or lines are checked and assumed that they represent the whole floor surface.

The highest degree of surface regularity is found among the defined traffic floors. Defined traffic floors allow the designer and contractor to focus on a limited number of critical areas. When a defined traffic floor is out of tolerance, it is relatively easy to identify the defects for correction---usually by employing a grinding process.

## How to Define Surface Regularity

Since the middle 1980s, new methods of defining surface regularity have been adopted as national standards. Older methods will continue to be utilized, although they are less effective. The following methods will be discussed:

1) The F number system for random traffic floors

2) The TR 34 system for defined traffic floors

Both methods are not of equal value. For random traffic floors, F numbers provide the most complete and consistent system. For defined traffic floors, the TR34 system is superior.

The F number system utilizes a pair of numbers to define surface regularity. The flatness number, Ff, is based upon the curvature over a horizontal distance of 24 inches. The levelness number, Fl, is based upon the floor slope over a horizontal distance of 10 feet. The standard test for F numbers is specified in ASTM E1155 and/or most recent version.

With both Ff and Fl, higher numbers mean greater surface regularity. Though the scale ranges from zero to infinity, almost all floors have F numbers between 10 and 100 for both flatness and levelness. Since the scale is linear, an Ff50 floor is exactly twice as flat as an Ff25 floor.

Most F number specifications are written in a two tier format. The overall F numbers apply to the floor taken as a whole. The local F numbers apply to each individual slab and are usually only one half to two thirds the overall values.

The overall F numbers are not just simple averages. ASTM E1155 covers how to combine F numbers.

The two tier format encourages contractors to achieve good surface regularity while allowing for minor defects. The attempt is to pour the entire floor to the specified overall F numbers. If, for instance, the construction crew has a bad day and fails to meet the specified overall numbers for the slab, the slab can still be accepted provided it meets the specified local numbers.

Such an occurrence serves as a warning to the crew that it must strive for a better performance on later slabs, so as to bring the overall F numbers up to the specified values. If a slab fails to meet even the specified local numbers, it must be repaired or replaced, but such failures seldom occur if all parties understand what is expected from the start.

Designers are not obligated to use this two tier format. Some designers specify a single F number pair (Ff and Fl) which applies to each individual slab. But this also raises the risk that slabs will be rejected.

FIGURE 40 depicts the overall and minimum F numbers for various floor classes. The floor

# ASSEMBLY INSTRUCTIONS/OPERATIONS

classification is from the American Concrete Institute. Although the F number system is only a few years old, it offers these advantages:

- The system controls both flatness and levelness.
- There is a standard test method.
- The system recognizes the statistical nature of profile testing on random traffic floors.
- The system is infinitely variable.

## F<sub>F</sub>/F<sub>L</sub> Classifications set forth by ASTM E1155

FLOOR PROFILE QUALITY CLASSIFICATION	MINIMUM F <sub>F</sub> /F <sub>L</sub> NUMBER REQUIRED			
	SPECIFIED F NUMBERS		MINIMUM LOCAL F NUMBERS	
	FLATNESS F <sub>F</sub>	LEVEL F <sub>L</sub>	FLATNESS F <sub>F</sub>	LEVEL F <sub>L</sub>
CONVENTIONAL				
BULL-FLOAT	15	13	13	10
STRAIGHTEDGE	20	15	15	10
FLAT	30	20	15	10
VERY FLAT	50	30	25	15

FIGURE 40

One of the major limitations of the F number system is that it does not control the surface regularity at joints. Because joints are statistical anomalies, the standard test method forbids measurements within 24 inches. The designer specifying by F number has two methods to accommodate the problem. The first solution is to locate joints at locations where surface regularity is not important. The second solution is to design specifications for the joints themselves.

### The TR 34 tolerances for defined traffic floors

The TR 34 System divides defined traffic floors into three categories:

- Superflat
- Category 1
- Category 2

For each category, the TR 34 System specifies limits for three properties:

Property 1 is the difference in elevation between two points 12 inches apart, measured in the direction of vehicle traffic. This is the levelness tolerance.

Property 2 is the difference in slope over 24 inches measured in the direction of vehicle traffic. This is the flatness tolerance. It is identical as the 24 inch curvature utilized in the F number system.

Property 3 is the difference in elevation between opposite points in the left and right wheel path, measured perpendicular to the direction of vehicle traffic. As with Property 1, it is a levelness tolerance. The TR 34 System specifies different values for Property 3 depending upon whether the distance between left and right wheel paths is more or less than 5 nominal feet

The Superflat category is intended for very narrow aisle warehouses where the highest standards are required. Category 1 is suggested for very narrow aisle warehouses where the vertical lift height is between 26 and 43 feet. Category 2 is for very narrow aisle warehouses where the vertical lift height is under 26 feet and the use of low rise, automatically controlled vehicles. No matter which category of surface regularity is specified, it is accomplished by measuring elevations on 12 inch centers. This is very similar to an F number survey, but with an important distinction. In an F number survey, the elevation profiles are made on the floor at random. With the TR 34 System, the survey measurements are made on the actual paths of the vehicles that will utilize the floor.

### Improving the wear resistance of concrete floors by grinding with the DFG Series SURFACE GRINDER

Poor wear resistance can often be traced back to a surface that is weaker than underlying levels of the pour. This an occurrence can result from bad finishing techniques, improper curing or early freezing.

Where surface weakness is a problem, grinding can be a solution. The process is similar to the early age technique. The grinding depth is typically 1/16 to 1/8 inch. A large project should not be attempted until a small test area has proven that the technique will produce the desired results. Usually only a square yard of floor is ground with the normal wear tests performed.

Repair costs can be minimized by grinding only those floor areas that accommodate traffic. For example, in a pallet rack warehouse, it may be necessary to grind only the aisle areas and not under any of the racks. The grinding process can adversely affect the surface regularity. Where specific properties are important, it may be

# ASSEMBLY INSTRUCTIONS/OPERATIONS

necessary to survey the floor during the grinding process to ensure that flatness and levelness specifications are maintained.

## **Cleaning concrete floors to improve the wear resistance with the DFG Series SURFACE GRINDER**

Clean concrete floors have a longer service life than dirty, poorly maintained floors. Loose debris produces three-bodied wear by allowing particles to roll between the traffic and the floor surface. With some types of debris, especially when lodged in vehicle wheels, wear can be immediate and severe. The DFG Series SURFACE GRINDER can be utilized with a number of multi accessories to clean and extend concrete floor service life. The SCRAPE-R-TACH® floor coatings removal system readily removes food, oil and rubber accumulations from high traffic floor areas. The Clean Sweep™ silicon impregnated, rotary brushes along with a biodegradable detergent applied to floors removes ground in dirt and debris from shop and industrial floors. Dry diamond segmented discs and blocks can be utilized to remove surface imperfections.

## Maintenance/Service

### PREVENTATIVE MAINTENANCE CHECK LIST.

Application: All Models.

The normal operation of the SURFACE GRINDER produces extreme dirt and dust, along with levels of random vibration. Before operating the SURFACE GRINDER, the following service list should be accomplished. This list is for reference only and is not intended to be all inclusive. Other subject areas can be added at the discretion of the owner(s) and/or operator(s):

- 1) Check all fasteners for proper torque values. If a fastener requires re-torquing, consult a torque chart for proper value. Properly discard and replace any worn fastener with a factory approved, replacement part.
- 2) Check the V-belts for wear. Adjust or replace as necessary. Check pulleys for wear and proper alignment. Many loose materials created as a result of operating processes can be extremely abrasive.
- 3) Keep the SURFACE GRINDER clean. Wash the unit after each use. Keep loose materials from accumulating around engine cooling fins. Determine that the interior sections of the frame are free of material build-ups. Such build-ups can restrict the operating process and present a potential safety hazard. Clean and remove any material build-up from the SURFACE GRINDER after each use.
- 4) Engine service life can be extended with proper air cleaner maintenance. Consult the material supplied by the engine manufacturer for specific information.
- 5) Check for proper oil level. Always use clean, high quality engine oil. Change oil as required. Consult the material supplied by the engine manufacturer for specific information
- 6) Remove material accumulations from the exterior surfaces of the electric motor. The electric motor is a totally enclosed, fan cooled (TEFC) design. Keep the fan fins clear of material accumulations to enhance airflow over the motor exterior for cooling purposes.

## DANGER

**DO NOT PERFORM PREVENTATIVE MAINTENANCE CHECKS WITH THE ENGINE OR ELECTRIC MOTOR RUNNING. STOP THE POWER SOURCE AND DISCONNECT THE SPARK PLUG OR EXTENSION CORD BEFORE PERFORMING ANY MAINTENANCE TO THE SURFACE GRINDER. IF GASOLINE ENGINE POWERED, RECONNECT THE SPARK PLUG BEFORE RESTARTING THE ENGINE. IF ELECTRIC MOTOR EQUIPPED, TURN THE ON/OFF SWITCH TO THE OFF POSITION BEFORE RECONNECTING THE EXTENSION CORD. IMPROPER PROCEDURES CAN RESULT IN PROPERTY DAMAGE AND/OR PERSONAL INJURY.**

### CHECKING V-BELT TENSION AND ALIGNMENT.

Application: All Models.

Proper V-belt tension and alignment are essential for smooth transmission of horsepower and extended service life. Improper tension and alignment will accelerate V-belt wear and contribute to decreased productivity. The V-belt is tensioned at the factory with the maximum recommended tension force. Check the belt tension at least two times during the first day of operation as there will normally be a rapid decrease in belt tension until it has been run in. Check the belt tension every eight hours of operation thereafter and maintain tension within the recommended range. The correct operating tension for a V-belt drive is the lowest tension at which it will not slip under peak load conditions.

Tools Required:

1 each, 16 inch minimum length straightedge.  
1 each, 10 lbs minimum capacity, tension scale or belt tension tool.

- 1) If the SURFACE GRINDER is powered by an engine, disconnect the spark plug wire. If powered by an electric motor, disconnect the extension cord or SURFACE GRINDER from the power source.
- 2) Position the SURFACE GRINDER on a suitable work bench with the V-belts approximately at waist level.



- 3) Remove the rubber latches and slide the belt guard away from the engine/electric motor until it clears the catch mechanism. Remove the belt guard from the main frame. If the SURFACE GRINDER is equipped with a Propane converted engine, determine that the Propane cylinder valve is closed before uncoupling the hose. Clean the inside of the belt guard with an appropriate solvent. Check for signs of wear and damage.

## ⚠ CAUTION

Observe all applicable safety precautions for the solvent.

- 4) Check the belt tension using the spring scale or belt tension tool midway between the engine clutch pulley and the transmission pulley. Belt tension should measure approximately 0.22 inch at 3-1/4 to 4-3/8 lbs. measured force range. FIGURE 41. If tension is within specifications, proceed to Step 5. If tension is not within specifications, refer to INSTALLING A REPLACEMENT V-BELT for specific information

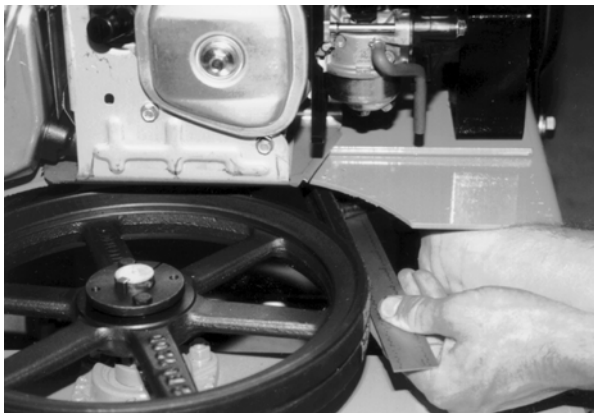


FIGURE 41

- 5) Belt alignment is checked with the straightedge. Place the straightedge squarely against the transmission pulley. Properly aligned pulleys should also place the straightedge squarely against the engine/motor pulley. Remove the straightedge and rotate the engine pulley 120 degrees. FIGURE 42. Recheck alignment with the straightedge. Repeat the process until the engine/motor pulley is rotated a full 360 degrees. Maximum allowable misalignment is + - 1/32 inch. If pulley alignment is not within specifications, refer to INSTALLING A REPLACEMENT V-BELT for specific information.

- 6) Install the belt guard to the main frame. Determine that all safety related decals affixed to the belt guard are fully readable. If any decal is not fully readable, replace with a factory approved, replacement part only.
- 7) If the SURFACE GRINDER is powered by an engine, reconnect the engine spark plug wire. If powered by an electric motor and the machine is to be used immediately, reconnect the extension cord or SURFACE GRINDER to the power source. Determine that the ON/OFF switch located on the operator handle is in the OFF position

## ⚠ DANGER

**UNEXPECTED MACHINE START UP CAN RESULT IN PROPERTY DAMAGE AND/OR PERSONAL INJURY.**



FIGURE 42

### INSTALLING A REPLACEMENT V-BELT, CENTRIFUGAL CLUTCH OR PULLEY.

**Application: As Specified.**

Tools Required:

- 1 each, 7/16 wrench.
- 2 each, 1/2 wrenches.
- 1 each, 9/16 wrench.
- 1 each, 5/32 Allen wrench.
- 1 each, 16 inch minimum length straightedge.
- 1 each, 10 lbs minimum capacity, tension scale or belt tension tool.
- 1 each, torque wrench, 35 ft lbs (47 Nm.) capacity with 7/16 inch and 9/16 inch sockets.
- 1 each, belt tension tool.

Parts Required:

- 2 each, V-Belt, B50 P/N 29018-014
- 1 each, Pulley Assembly P/N 29018-012 (Gas Engine)
- 1 each, Pulley Assy. P/N SFSG240500 (Electric, 60 Hz.)
- 1 each, Pulley Assy. P/N SFSG240510 (Electric, 50 Hz)
- 1 each, Centrifugal Clutch Assembly P/N 29018-022.

- 1) Position the SURFACE GRINDER on a suitable work surface with the V-belts approximately at waist level.
- 2) Remove the rubber latches and slide the belt guard away from the engine/electric motor until it clears the catch mechanism. Remove the belt guard from the main frame. Clean the inside of the belt guard with an appropriate solvent. Check for signs of wear and damage. Secure in a proper storage area.

## **!** CAUTION

Observe all applicable safety precautions for the solvent.

- 3) Using the 1/2-inch wrenches, loosen the engine/motor mounting plate cap screws.
- 4) With the same wrenches, rotate the engine take-up cap screws counterclockwise to loosen the V-belts and allow the engine/electric motor to slide toward the front of the main frame. FIGURE 43.



FIGURE 43

- 5) Remove the worn V-belts. Inspect the engine/electric motor and transmission pulleys for wear and damage. Install the replacement belts, P/N 29018-012 in pairs. The SURFACE GRINDER utilizes two V-belts. Always install replacement belts in matched pairs. Never replace just one of the V-belts.

## **!** CAUTION

Do not operate the SURFACE GRINDER with only one V-belt installed. One V-belt is not capable of transmitting proper horsepower and torque levels to the multi-accessory discs.

- a) Do not install replacement belts if the pulleys have excessively worn grooves. Such pulleys should be replaced to insure proper belt fit. Operating the V-belts in worn pulley grooves will accelerate wear, reduce horsepower and torque levels and significantly reduce component service life.
  - b) A V-belt should never be forced over a pulley. More belts are broken from this cause than from actual failure in service.
  - c) Keep the belts as clean and free of foreign material as possible. Do not use belt dressing
- 6) The centrifugal clutch assembly utilized on both the gasoline engine powered and Propane converted SURFACE GRINDERS is designed to deliver an extended service while requiring minimal service. However, long term use of the SURFACE GRINDER can allow the accumulation of fine dusts and powders within the clutch assembly. These dusts and powders can dramatically reduce the capacity of the the clutch drum bearing, resulting in the following operational characteristics:
    - a) When operating the engine at idle speed, the centrifugal clutch assembly will not fully disengage, allowing the multi accessory discs to rotate at low speed.
    - b) When the engine is advanced to and/or from the idle speed position, erratic machine movement or "grinding" and "thrashing" noises from the clutch area are detected.

In many cases, clutch assembly removal, a cleaning of the bearing surfaces and reassembly will solve the problem.

- 7) Rotate the take-up cap screws clockwise until the V-belts have enough tension to not allow them to fall off the centrifugal clutch and/or pulleys.
- 8) Using the 9/16-inch wrench, remove the retaining cap screw from the engine crankshaft. Using the 5/32 inch allen wrench, loosen the two set screws located near the snap ring. The clutch can now be removed from the engine crankshaft. FIGURE 44.
- 9) The centrifugal clutch is comprised of a rotor/shoe assembly, a drum/pulley assembly, a thrust washer and retaining snap ring.
  - a) Using the snap ring pliers, remove the snap ring from the clutch assembly. FIGURE 45.

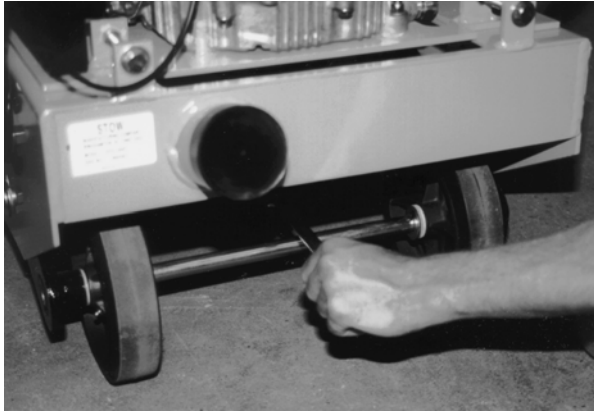


FIGURE 44

## ⚠ DANGER

**WEAR SAFETY EYEWEAR AND OTHER APPROPRIATE APPAREL WHEN DISASSEMBLING THE CENTRIFUGAL CLUTCH ASSEMBLY. CAUTION ALL ONLOOKERS REGARDING THE POTENTIAL FOR FLYING DEBRIS. FAILURE TO EXERCISE PROPER SAFETY PRECAUTIONS CAN RESULT IN PROPERTY DAMAGE AND/OR PERSONAL INJURY.**



FIGURE 45

b) Disassemble the rotor/shoe assembly and drum/pulley assemblies. Clean each component with an appropriate safety solvent. Pay special attention to the inside diameter bore of the drum/pulley assembly bearing. Inspect for signs of excessive wear and damage which can allow the rapid formation of foreign material accumulation. FIGURE 46



FIGURE 46

## ⚠ CAUTION

**Observe all applicable safety precautions for the solvent.**

c) The clutch rotor springs and shoes are relatively maintenance free and should deliver many hours of trouble free operation before complete replacement is required. Severely discolored springs and shoes are signs of excessive clutch slippage caused by improper operation techniques. FIGURE 47.



FIGURE 47

10) Reassemble the components in reverse order and install the clutch assembly on the engine crankshaft with the pulley facing towards the engine.

11) Reinstall the V-belts to the transmission and clutch pulleys and tighten as outlined in CHECKING V-BELT TENSION AND ALIGNMENT.

## REPLACING THE LORD® TYPE ELASTOMERIC MOUNTS ON THE MULTI-ACCESSORY DISCS.

**Application: All Models.**

Lord® type elastomeric rubber mounts are utilized to allow each multi-accessory disc to maintain full contact with the work surface. The rubber mounts afford a constant flex rate for each multi-accessory disc throughout its service life. The rubber compound is resistive to the effects of ultraviolet radiation and most common chemicals encountered when operating the SURFACE GRINDER.

During the manufacturing process, the rubber mounts are pressed into specially machined cavities in the disc mounting plates. Under normal usage and job applications, the Lord® type rubber mounts will deliver appropriate performance for the expected service life of the SURFACE GRINDER. However, an attachment mounted in the multi-accessory disc that directly strikes a vertical floor obstruction with sufficient impact force can cause one or more of the mounts to become separated from the mounting plate. This occurrence will not allow the multi-accessory disc to maintain full contact with the work surface. This occurrence is also intended to protect the transmission gears and bearings from costly damage and the operator from an impact force that could cause personal injury.

### Tools Required:

1 each, 5/16 allen wrench.

2 each, 5/8 wrenches.

1 each, arbor press of sufficient capacity and stability.

### Parts Required:

Elastomeric Mount, P/N 29018-055 (as required).

1 container each: Installation Lubricant (or approved equivalent).

- 1) If the SURFACE GRINDER is powered by an engine, disconnect the spark plug wire. If powered by an electric motor, disconnect the extension cord or SURFACE GRINDER from the power source.
- 2) Position the SURFACE GRINDER on a suitable work bench with the multi-accessory discs at waist level
- 3) Remove the rubber latches and slide the belt guard away from the engine/electric motor until it clears the catch mechanism. Remove the belt guard from the main frame. Clean the inside of the belt guard with an appropriate safety solvent. Check for signs of wear and damage. Secure in a proper storage area.

## ⚠ CAUTION

**Observe all applicable safety precautions for the solvent.**

- 4) Tilt the SURFACE GRINDER back until the operator handle comes in contact with the surface. The SURFACE GRINDER may not be in a stable position in this configuration. To minimize the possibility of property damage and/or personal injury, apply an appropriate weight to the handle to stabilize the SURFACE GRINDER. FIGURE 48. Other means can also be utilized to support the frame and provide proper machine stability. Appropriate wheel chocks are recommended. Follow the instructions for this procedure as outline in INSTALLING A MULTI-ACCESSORY ATTACHMENT (not including multi-segmented, dry diamond blades) IN THE COUNTERROTATING DISCS.
- 5) Utilizing the Allen wrench, remove the affected aluminum multi-accessory disc (if still attached) from the SURFACE GRINDER.
- 6) Utilizing the 9/16-inch wrenches, remove the cap screws that retain the Lord® rubber mounts to both the mounting plate and transmission shaft.

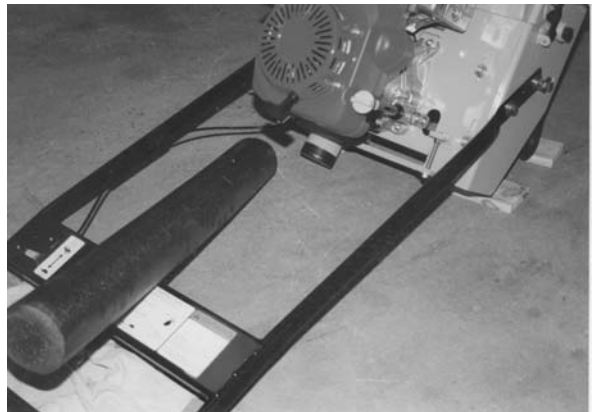


FIGURE 48

- 7) Inspect the appropriate cavities in the mounting plate for wear and damage. Any nick or burr must be removed by the use of an appropriate file, followed by the use of 240 grit sandpaper. FIGURE 49.



FIGURE 49

- 8) Apply the installation lubricant to the exterior surface of the elastomeric mount to minimize damage when pressing into the mounting disc. If the factory supplied lubricant is not available, an acceptable alternative is the use of common liquid soap.

## ⚠ CAUTION

**Do not install an elastomeric mount without the use of an approved lubricant. Installation without an approved lubricant can produce tears in the mount, resulting in substandard operational performance and service life.**

- 9) Support the elastomeric mount, socket and mounting plate as depicted in FIGURE 50. The mounting plate must be suspended from the arbor press to allow the mount to clear when the pressing process is completed. A short section of 1-1/2 inch inside diameter steel tubing can be utilized for this purpose. Using the arbor press, apply a steady force in a straight line direction to the mount until it fully penetrates the cavity in the mounting disc. Do not attempt to push the elastomeric mount through the mounting disc with excessive force. Damage to the elastomeric mount will result.
- 10) Reassemble the mounting discs to the transmission shaft.
- 11) Reassemble the mounting plate to the mounting disc.
- 12) Reassemble the aluminum multi-accessory disc to the mounting plate.
- 13) Check to determine that the replacement elastomeric mounts allow for proper position of the aluminum multi-accessory disc. If the elastomeric mounts are not properly positioned, they will require removal and reinstallation. The removal process can produce tears and

abrasions in the mount that will require new replacements.

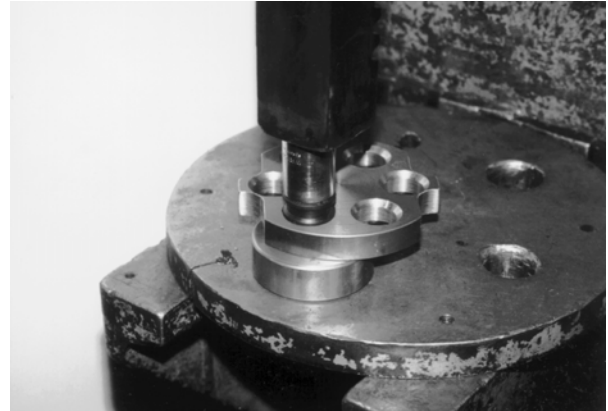


FIGURE 50

### LUBRICATION REQUIREMENTS.

**Application: All Models.**

Parts Required:

1 each, standard grease gun filled with one of the following: ESSO Beacon 325, Shell Alvania #2, Chevron SRI, or equivalent.

1 each, container of dry film lubricant.

- 1) Lubricate the caster wheel bearings with a dry film lubricant only. Dry film lubricants dry immediately upon contact. Use sparingly. Excess lubricant will attract the fine grained, powdered materials described and directly affect bearing service life.

## ⚠ CAUTION

**Do not lubricate the caster wheels with any type of grease material. Grease will attract foreign material accumulations that can accelerate bearing wear.**

- 2) The transmission gears are supported by extra capacity, ball bearing units. Bearings are lubricated at the time of manufacture and do not require additional servicing when placing the unit in initial service. Zerk grease fittings can promote improper service schedules and an excessive amount of over lubrication. Excess grease escaping from around the bearing insert seals will attract foreign material accumulations that can drastically shorten their service life.

Excessive amounts of grease in the bearing race cavity can actually increase friction and resulting heat increases that can also dramatically shorten bearing service life.

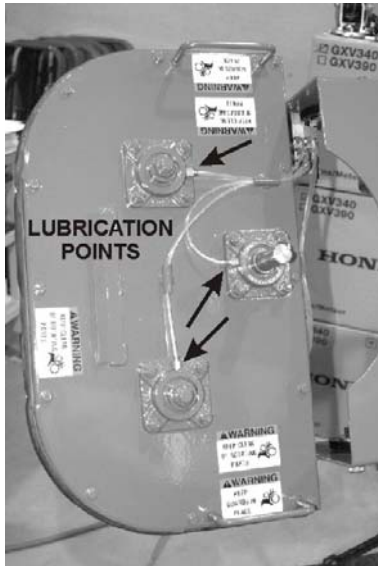


Figure 51. Lubrication Points

- 3) The transmission gears are lubricated at the time of assembly with approximately 24 ounces of Lubricate GR132 grease or equivalent. This lubricant has an EP additive to better allow it to cling to the gears. The transmission should not require additional lubrication or the lubrication to be changed until service work to the gears is performed.
- 4) Standard greasing intervals will range from once every 8 hour work day to approximately once every work week. Always maintain sufficient grease around the circumference of the bearing insert to provide its self-aligning feature and prevent the formation of corrosion.
- 5) Do not apply belt dressing materials to the V-belts for the purpose of minimizing slippage. These products typically attract foreign material accumulations that can accelerate component wear. Excessive V-belt slippage can be eliminated with proper V-belt tension and alignment.

## ELECTRIC MOTOR SERVICE.

### Application: DFG/E Series SURFACE GRINDER.

The electric motor is capable of operating for many years with a reasonably small amount of maintenance. Before attempting to service the motor, disconnect the SURFACE GRINDER from the power source. Clean the motor surfaces periodically, preferably with a vacuum cleaner.

Heavy accumulations of dirt and lint will result in overheating and premature failure of the motor.

The electric motor is equipped with higher capacity ball bearings and under normal service and ambient temperatures should not require relubrication for many years. If you feel that the motor requires relubrication, contact the local representative of the motor manufacturer for specific information.

The seals utilized with the motor are intended to deliver a longer service life in a concrete dust environment. When replacing the seals, utilize only components meeting the original factory specifications.

## ENGINE SERVICE.

### Application: DFG/G Series SURFACE GRINDER.

Consult the material supplied by the engine manufacturer for specific service and maintenance information regarding:

- 1) Muffler
- 2) Spark Plug
- 3) Air Filter System
- 4) Carburetor Adjustment
- 5) Ignition System
- 6) Short and Long Term Storage
- 7) Maximum Governor Speed
- 8) Emission Standards

Keep this information stored with the Operator's Manual for the SURFACE GRINDER so it will always be available for use when the engine requires service or maintenance. A properly maintained engine will add considerably to the service life and overall productivity of the SURFACE GRINDER.

## Troubleshooting

### ELECTRIC MOTOR.

#### Application: DFG/E Series SURFACE GRINDER.

#### MOTOR FAILS TO START

ON/OFF switch in the OFF position. Turn the switch to the ON position.

Improper voltage selection. Determine the available voltage value from the power source. Move the voltage selection switch located on the motor to the proper selection.

SURFACE GRINDER and/or extension cord is not plugged into the power source. Determine that all electrical connections have been properly made. The NEMA 6-20 Series cap and receptacle set is of a twist lock configuration and requires a twist motion to ensure a proper connection.

Improper extension cord size and capacity. Operate the SURFACE GRINDER with copper stranded, 8 AWG or larger extension cords. Improper extension cord size and capacity will result in significant heat rise and corresponding voltage and amperage drop.

Thermal protection device activated. To protect the motor against heat related damage, an automatic thermal protection switch is provided near the voltage selection switch. High operating temperatures will activate the switch and shut the motor off. After the motor has cooled to an acceptable temperature level, depress the switch to restart.

#### ELECTRIC MOTOR LOSES POWER

Improper extension cord size and capacity. Replace with cords meeting the required specifications.

Excessive extension cord length. Even with proper extension cord size and capacity, excessive cord length can reduce the available voltage and amperage to the motor. Measure the available voltage to the motor where the extension cord connects to the SURFACE GRINDER with a voltmeter. Reduce the extension cord length as required to achieve the minimum voltage operating specification as required by the motor manufacturer.

Insufficient available voltage and amperage at the power source. Measure the available voltage at the power source (usually a receptacle) with a voltmeter. If the available voltage is below the minimum operating specification as required by the motor manufacturer, utilize an alternative power source.

Improper motor cooling. See ELECTRIC MOTOR SERVICE.

Excessive load to the motor. See OPERATING THE SURFACE GRINDER ON THE JOBSITE.

### ENGINE.

#### Application: DFG/G Series SURFACE GRINDERS.

#### ENGINE FAILS TO START

Ignition switch in OFF or cut off position. Place switch in the ON position or move throttle control lever to the ignition operational position.

Incorrect carburetor/fuel ignition system adjustment. See SERVICE section.

Air filter blocked. See SERVICE section.

Ignition wire to spark plug loose or disconnected. Reconnect.

#### Application: DFG/G Series SURFACE GRINDER.

Fuel supply exhausted. Refill the fuel tank.

Spark plug fouled. Replace Spark Plug. Refill the fuel tank.

#### ENGINE LOSES POWER

Incorrect carburetor/fuel injection adjustment. See SERVICE section.

Excessive carbon accumulation in combustion chamber. See SERVICE section.

Excessive material build-up around the cooling fins. See SERVICE section.

#### Application: DFG/G Series SURFACE GRINDER.

Water in fuel supply. Drain and replace fuel.

Fuel tank breather vent closed (if so equipped). Open vent.

Air filter blocked. See SERVICE section.

## OPERATIONAL PROBLEMS.

**Application: All Models.**

### UNEVEN MULTI-ACCESSORY ATTACHMENT WEAR

Incorrect installation of the attachment in the aluminum disc. See **INSTALLING A MULTI-ACCESSORY ATTACHMENT ON THE COUNTERROTATING DISCS.**

Worn or damaged gimbal head Lord® rubber mounts. Replace mounts.

Accumulation of foreign material on the multi-accessory attachment. Clean and/or replace the attachment components as necessary.

Flails and spacer washers are mounted too tight on the scarifier frame. Remove and/or replace flails and spacer washers. See **MULTI-ACCESSORY ATTACHMENTS AND APPLICATIONS.**

### EXCESSIVE JUMPING ON THE WORK SURFACE

Incorrect installation of the attachment in the aluminum counterrotating disc. See **INSTALLING A MULTI- ACCESSORY ATTACHMENT ON THE COUNTERROTATING DISCS.**

Worn or damaged gimbal head Lord® rubber mounts. Replace mounts.

Loose gimbal head fasteners. Retorque fasteners as required.

### ACCELERATED V-BELT WEAR

Misaligned and/or improperly tensioned pulleys. Readjust pulleys and V-belt. See **SERVICE** section.

Worn pulleys. Replace pulleys as required. See **INSTALLING A REPLACEMENT V-BELT OR PULLEY.**

Improper V-belt. Replace with a name brand B50 series V-belt. Never replace a single belt. Always replace both V-belts at the same time in matched sets. See **INSTALLING A REPLACEMENT V-BELT OR PULLEY.**

### ACCELERATED BEARING WEAR AND/OR FAILURE

Misaligned and/or improperly tensioned pulleys. readjust pulleys and V-belts. See **SERVICE** section.

Bent transmission input or output shaft. Replace affected shaft(s).

Improper lubrication. See **LUBRICATION REQUIREMENTS.**

### UNEVEN GRINDING ACTION

Excessive material build-up on the caster wheel face surface. Remove the material.

Excessive caster wheel bearing wear. Replace the caster wheel. Excessive axle wear. Replace axle.

Flails and/or spacer washers are mounted too tight on the scarifier frame. Remove and/or replace flails and spacer washers. See **MULTI ACCESSORY ATTACHMENTS AND APPLICATIONS.**

Mixing new and worn flails, silicon carbide stones, etc. Remove and replace with components of the same, approximate size and diameter. See **MULTI ACCESSORY ATTACHMENTS AND APPLICATIONS.**



## Storage

### Application: All Models.

Proper procedure for long term storage of the SURFACE GRINDER will protect it against the effects of corrosion and damage. If the SURFACE GRINDER is not to be operated for a period of 30 days or more, proceed to store as follows:

- 1) Clean all accumulated foreign material from the SURFACE GRINDER utilizing an appropriate safety solvent.

## CAUTION

**Observe all applicable safety precautions for the solvent.**

- 2) Follow the procedure as outlined in the material supplied by the engine manufacturer describing long term storage for the engine.
- 3) Check all visible parts for wear, breakage or damage. Order any part not required to make the necessary repair. This will avoid a needless delay when operating the SURFACE GRINDER at next use.
- 4) Apply a dry film lubricant to all exposed metal components to prevent the formation of rust.
- 5) Store the SURFACE GRINDER inside. If the SURFACE GRINDER must be stored outside, protect it with a suitable covering.

## *Specifications*

STRUCTURE.....	Unitized, Welded Steel Plate
DRIVE REDUCTION SYSTEM .....	B50 Series Belt/Pulley/Spur Gear transmission.
MAXIMUM GRINDING WIDTH .....	24 inches (610 mm)
OVERALL MACHINE WIDTH.....	27-1/2 inches (699 mm)
OVERALL MACHINE LENGTH.....	3 inches (1346 mm)
TYPICAL OPERATOR HANDLE HEIGHT .....	40 inches (1,066 mm)
VACUUM CLEANER CONNECTION DIAMETER .....	1-1/2 inch (51 mm), 2-inch (51 mm) or 3-inch (76 mm)

### **GENERAL.**

DFG/E BASIC WEIGHT..... 250 lbs (114 kg)

DFG/G BASIC WEIGHT .....

DFG/G BASIC WEIGHT .....	300 lbs (136 kg)
--------------------------	------------------

DFG/E ELECTRIC MOTOR, 2 hp, 3450 RPM, 16.8 amperes @ 115 VAC, 60 Hz, or 8.4 amperes @ 230 VAC, 60 Hz, switchable when the motor is not in operation. The electric motor requires a clean (no other electric products on the same circuit) 20 ampere capacity circuit to properly function on 115 VAC, 60 Hz or 10 ampere capacity circuit to properly function on 230 VAC, 60 Hz.

Honda GX340 engine 11 hp (82 kw) nominal, industrial quality, 4 cycle engine, 3450 RPM nominal maximum governed speed.



# EXPLANATION OF CODE IN REMARKS COLUMN

The following section explains the different symbols and remarks used in the Parts section of this manual. Use the help numbers found on the back page of the manual if there are any questions.

## NOTICE

The contents and part numbers listed in the parts section are subject to change **without notice**. Multiquip does not guarantee the availability of the parts listed.

## SAMPLE PARTS LIST

NO.	PART NO.	PART NAME	QTY.	REMARKS
1	12345	BOLT .....	1	INCLUDES ITEMS W/%
2%		WASHER, 1/4 IN. ....		NOT SOLD SEPARATELY
2%	12347	WASHER, 3/8 IN. ...	1	MQ-45T ONLY
3	12348	HOSE .....	A/R	MAKE LOCALLY
4	12349	BEARING .....	1	S/N 2345B AND ABOVE

## NO. Column

**Unique Symbols** — All items with same unique symbol

(@, #, +, %, or >) in the number column belong to the same assembly or kit, which is indicated by a note in the "Remarks" column.

**Duplicate Item Numbers** — Duplicate numbers indicate multiple part numbers, which are in effect for the same general item, such as different size saw blade guards in use or a part that has been updated on newer versions of the same machine.

## NOTICE

When ordering a part that has more than one item number listed, check the remarks column for help in determining the proper part to order.

## PART NO. Column

**Numbers Used** — Part numbers can be indicated by a number, a blank entry, or TBD.

TBD (To Be Determined) is generally used to show a part that has not been assigned a formal part number at the time of publication.

A blank entry generally indicates that the item is not sold separately or is not sold by Multiquip. Other entries will

## QTY. Column

**Numbers Used** — Item quantity can be indicated by number, a blank entry, or A/R.

A/R (As Required) is generally used for hoses or other parts that are sold in bulk and cut to length.

A blank entry generally indicates that the item is not sold separately. Other entries will be clarified in the "Remarks" Column.

## REMARKS Column

Some of the most common notes found in the "Remarks" Column are listed below. Other additional notes needed to describe the item can also be shown.

**Assembly/Kit** — All items on the parts list with the same unique symbol will be included when this item is purchased.

Indicated by:

"INCLUDES ITEMS W/(unique symbol)"

**Serial Number Break** — Used to list an effective serial number range where a particular part is used.

Indicated by:

"S/N XXXXX AND BELOW"

"S/N XXXX AND ABOVE"

"S/N XXXX TO S/N XXX"

**Specific Model Number Use** — Indicates that the part is used only with the specific model number or model number variant listed. It can also be used to show that a part is NOT used on a specific model or model number variant.

Indicated by:

"XXXXX ONLY"

"NOT USED ON XXXX"

**"Make/Obtain Locally"** — Indicates that the part can be purchased at any hardware shop or made out of available items. Examples include battery cables, shims, and certain washers and nuts.

**"Not Sold Separately"** — Indicates that an item cannot be purchased as a separate item and is either part of an assembly/kit that can be purchased, or is not available.

## SUGGESTED SPARE PARTS

### **DFG SURFACE GRINDER 1 TO 3 UNITS Gasoline Engine**

#### **Model**

Qty.	P/N	Description
1.....	29018-037.....	CABLE, THROTTLE
1.....	29018-038.....	KNOB, THROTTLE CONTROL
1.....	29018-022.....	CLUTCH, PULLEY ASSEMBLY
2.....	29018-014.....	V-BELT, TRANSMISSION
3.....	17211ZE5V01.....	ELEMENT SET, AIR CLEANER
3.....	9807955846.....	SPARK PLUG
1.....	17620ZE7000.....	CAP, FUEL TANK
1.....	28462ZV7003.....	ROPE, RECOIL

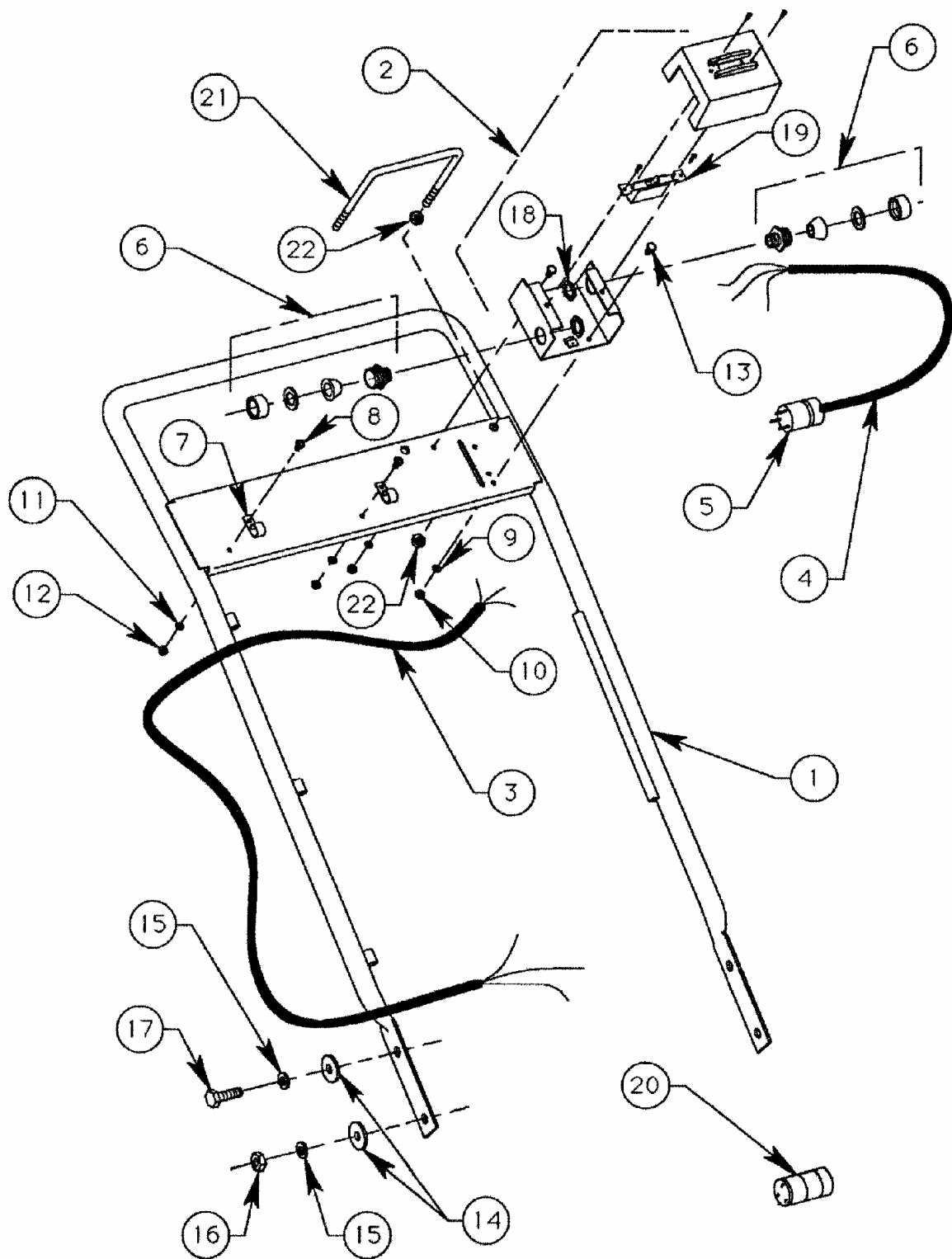
### **DFG SURFACE GRINDER 1 TO 3 UNITS Electric Motor**

#### **Model**

Qty.	P/N	Description
1.....	29018-037.....	CABLE, THROTTLE
1.....	SFHUB1222.....	SWITCH, 2 HP 60 HZ
1.....	SFSG24/E3HP0450 ..	SWITCH, 3 HP 60 HZ
1.....	SFSG24/E3HP0460 ..	SWITCH, 3 HP 60 HZ
2.....	29018-014.....	V-BELT, TRANSMISSION

# OPERATOR HANDLE ASSY. (ELECTRIC)

OPERATOR HANDLE ASSY. (ELECTRIC)



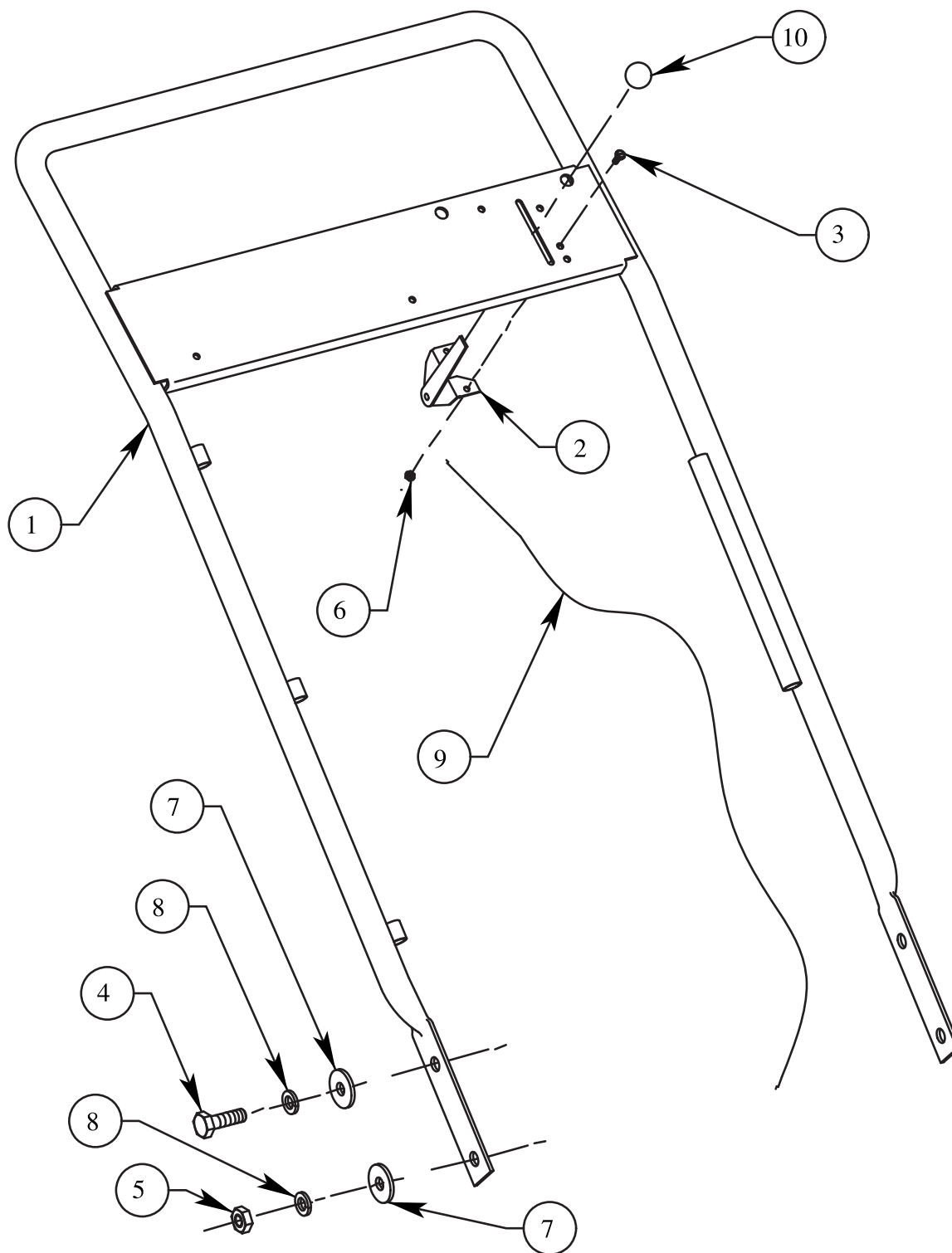
# OPERATOR HANDLE ASSY. (ELECTRIC)

## OPERATOR HANDLE ASSY. (ELECTRIC)

<u>NO.</u>	<u>PART NO.</u>	<u>PART NAME</u>	<u>QTY.</u>	<u>REMARKS</u>
1	29018-033	HANDLE, OPERATOR UNIVERSAL	1	
2	29018-040	HOUSING, SWITCH .....	1	2 HP MOTOR ONLY
3	29018-041	CABLE, LONG 58"	1	
4	29018-042	CABLE, SHORT 12"	1	
5	08885-013	PLUG, MALE, L6-20P .....	1	2 HP MOTOR ONLY
5	SFSG24/E3HP0020	PLUG, MALE.....	1	3 HP MOTOR ONLY
6	SFCG5050	RELIEF, STRAIN	2	
7	29018-043	CLAMP, CABLE	2	
8	29018-044	SCREW, PAN HEAD, 10-32 UNF X 1/2" PLATED	2	
9	07029-004	WASHER, LOCK 1/4" PLATED	2	
10	07033-004	NUT, HEXAGON 1/4-20 UNC, PLATED	2	
11	07029-003	WASHER, LOCK 10 PLATED	2	
12	07036-010	NUT, HEXAGON 10-32 UNF, PLATED	2	
13	06499-004	SCREW, CAP, 1/4-20 UNC X 1/2", PLATED	2	
14	07030-008	WASHER, FLAT 1/2", PLATED	4	
15	07029-008	WASHER, LOCK 1/2", PLATED	4	
16	08233-008	NUT, HEXAGON 1/2-13 UNC, PLATED	2	
17	06503-012	SCREW, CAP 1/2-13 UNC X 1-1/2", PLATED GD. 5	2	
18	29018-031	NUT, BULKHEAD, INCLUDED W/REF. #6	2	
19	SFHUB1222	SWITCH.....	1	2 HP, MOTOR 60 HZ
19	SFSG24/E3HP0450	SWITCH.....	1	3 HP, MOTOR 50 HZ
19	SFSG24/E3HP0460	SWITCH.....	1	3 HP, MOTOR 60 HZ
20	SFHUB2323	RECEPTACLE, FEMALE .....	1	2 HP, MOTOR 60 HZ
20	SFSG24/E3HP0010	RECEPTACLE, FEMALE .....	1	3 HP, MOTOR 50/60 HZ
21	SF53030000	NUT, HEX, NYLOCK 10-24 UNC, PLATED .....	1	3 HP, MOTOR 50/60 HZ
22	SF60030500	SCREW, SOCKET HEAD 10-24 UNC, PLATED.....	2	3 HP, MOTOR 50/60 HZ

# OPERATOR HANDLE ASSY. (GASOLINE)

OPERATOR HANDLE ASSY. (GASOLINE)





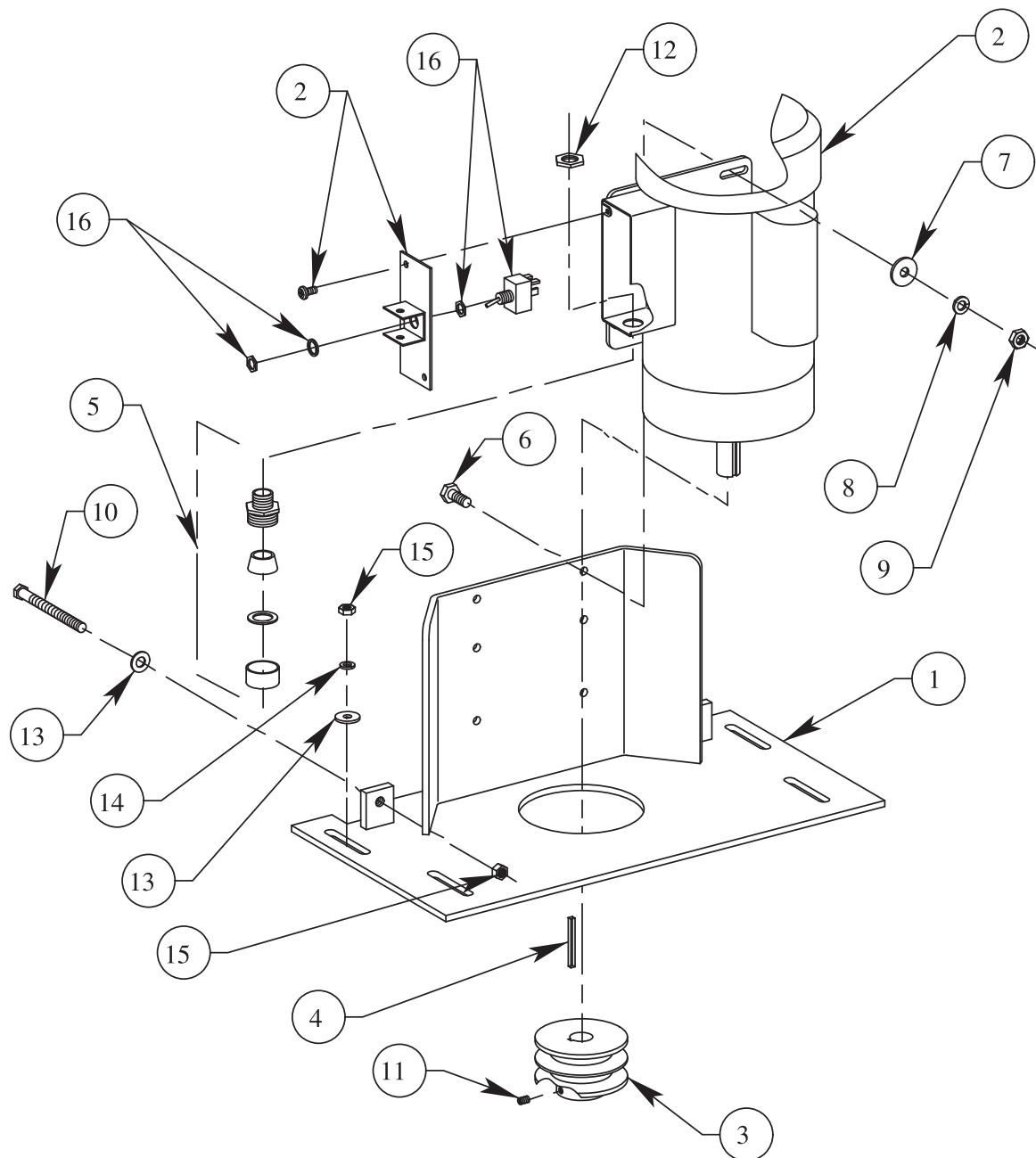
# OPERATOR HANDLE ASSY. (GASOLINE)

## OPERATOR HANDLE ASSY. (GASOLINE)

<u>NO.</u>	<u>PART NO.</u>	<u>PART NAME</u>	<u>QTY.</u>	<u>REMARKS</u>
1	29018-033	HANDLE, OPERATOR UNIVERSAL	1	
2	29018-034	LEVER, THROTTLE CONTROL, W/CABLE & KNOB	1	
3	29018-035	SCREW, SOCKET 10-32 UNF X 5/8", PLATED	2	
4	06503-012	SCREW, CAP 1/2-13 UNC X 1-1/2", PLATED GRADE 5	2	
5	07033-008	NUT, HEXAGON 1/2-13 UNC, PLATED	2	
6	29018-036	NUT, HEXAGON NYLOC, 10-32 UNF, PLATED	2	
7	07030-008	WASHER, FLAT 1/2", PLATED	4	
8	07029-008	WASHER, LOCK 1/2", PLATED	4	
9	29018-037	CABLE, THROTTLE	1	
10	29018-038	KNOB, THROTTLE CONTROL	1	

# ELECTRIC MOTOR ASSY.

ELECTRIC MOTOR ASSY.



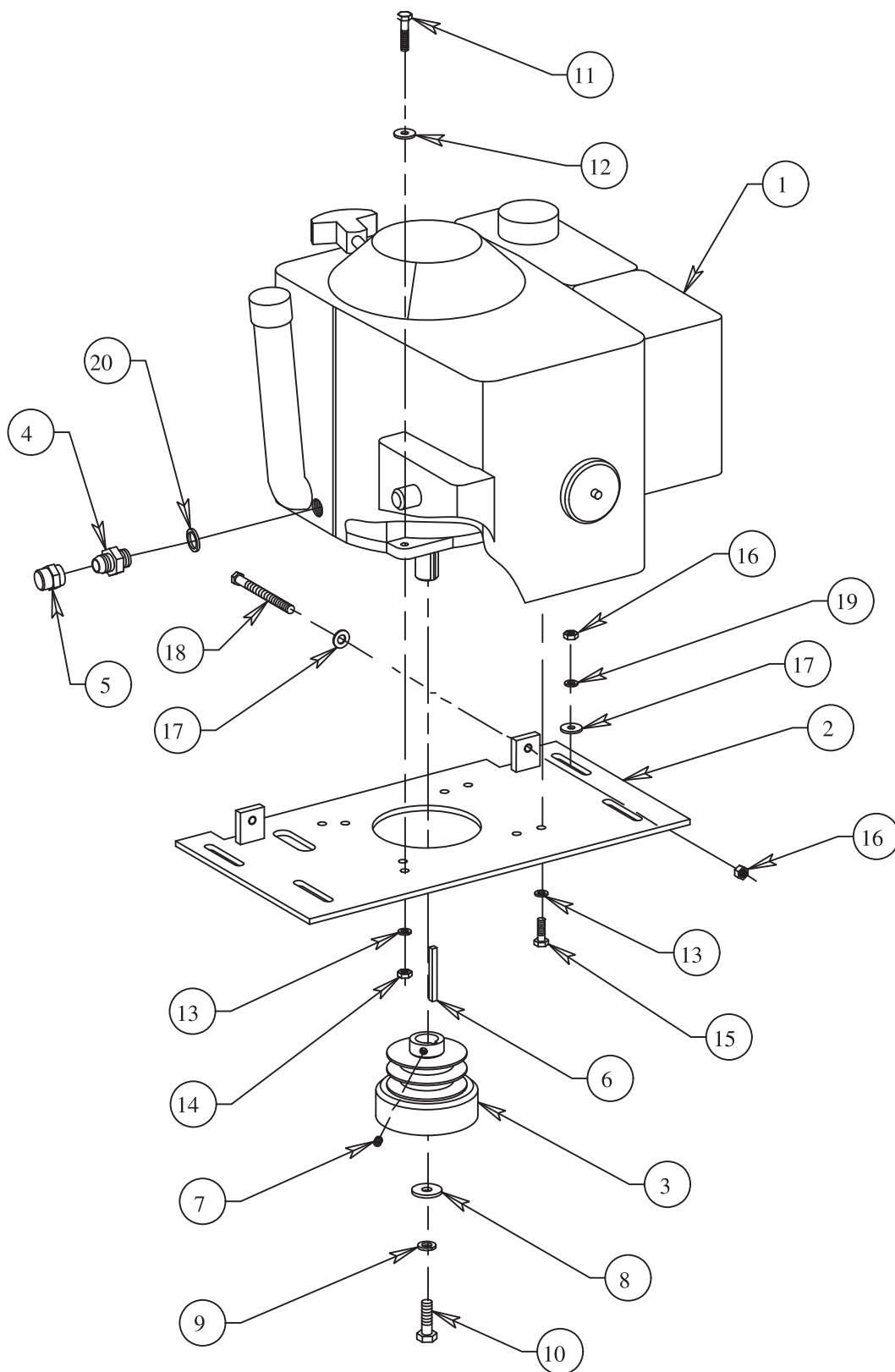
# ELECTRIC MOTOR ASSY.

## ELECTRIC MOTOR ASSY.

<u>NO.</u>	<u>PART NO.</u>	<u>PART NAME</u>	<u>QTY.</u>	<u>REMARKS</u>
1	29018-027	MOUNT, ELECTRIC MOTOR	1	
2	29018-028	MOTOR, ELECTRIC, 2 HP, 115/230 VAC, 60 HZ .....	1.....	P145K34FB18A
2	SF12136000	MOTOR, ELECTRIC, 3 HP, 230 VAC, 50/60 HZ	1	
3	SFSG240500	PULLEY, DRIVE .....	1.....	2 AND 3 HP 60 HZ MOTORS
3	SFSG240510	PULLEY, DRIVE .....	1.....	3 HP 50 HZ MOTOR
4	10057-008	KEY, SQUARE 3/16" X 3/16" X 2"	1	
5	29018-030	RELIEF, STRAIN	1	
6	06500-008	SCREW, CAP 5/16-18 UNC X 1" PLATED	6	
7	07030-005	WASHER, FLAT 5/16", PLATED	6	
8	07029-005	WASHER, LOCK 5/16", PLATED	6	
9	07033-005	NUT, HEXAGON 5/16-18 UNC, PLATED	6	
10	29018-026	SCREW, CAP 3/8-16 UNC X 3-1/2" FULL THD PLT.	2	
11	07898-005	SCREW, SET CUP POINT, 5/196-18 UNC X 5/16"	1	
12	29018-031	NUT, BULKHEAD, INCLUDED W/REF. # 6	2	
13	07030-006	WASHER, FLAT 3/8", PLATED	6	
14	07029-006	WASHER, LOCK 3/8", PLATED	4	
15	07033-006	NUT, HEXAGON 3/8-16 UNC, PLATED	6	
16	29018-032	SWITCH, TOGGLE 115/230 VAC SELECTION	1	

# GASOLINE ENGINE ASSY.

GASOLINE ENGINE ASSY.

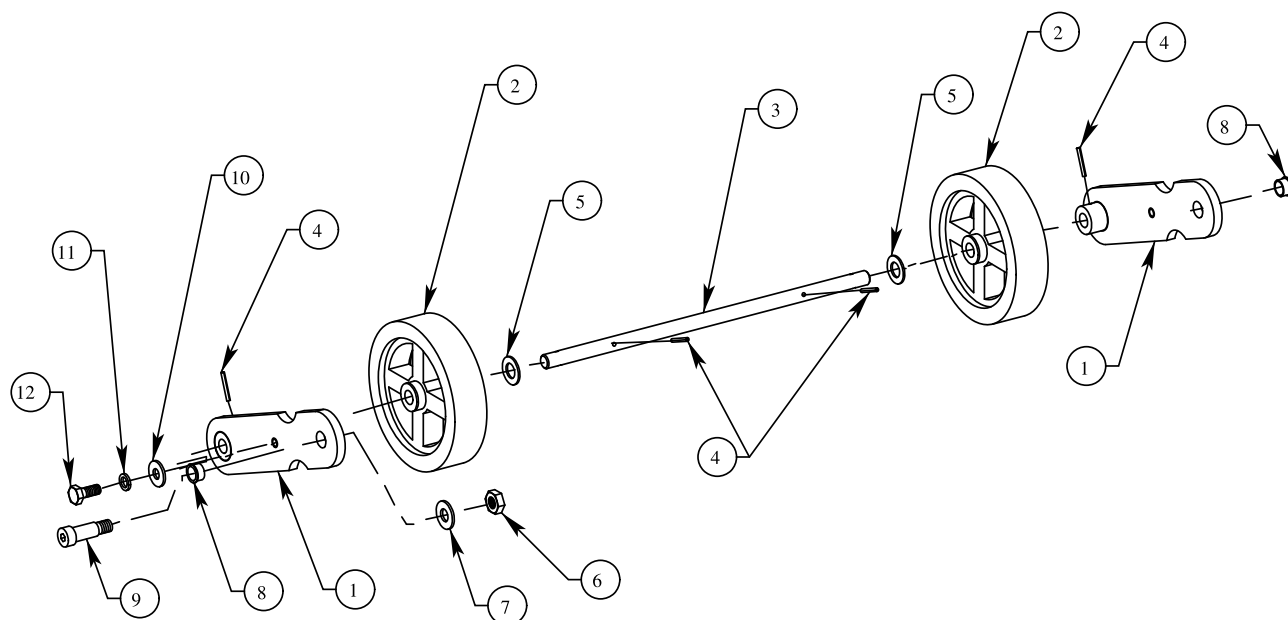


# GASOLINE ENGINE ASSY.

## GASOLINE ENGINE ASSY.

<u>NO.</u>	<u>PART NO.</u>	<u>PART NAME</u>	<u>QTY.</u>	<u>REMARKS</u>
1	GX340	ENGINE, HONDA 11 H.P.	1	
2	29018-021	MOUNT, GASOLINE ENGINE	1	
3	29018-022	CLUTCH, PULLEY ASSY.	1	
4	29018-023	ADAPTER, M20 X 7/8-14 UNF	1	
5	29018-024	CAP, OIL DRAIN	1	
6	29018-025	KEY, SQUARE 1/4" X 1/4" X 2-1/2"	1	
7	07898-005	SCREW, SET CUP POINT, 5/196-18 UNC X 5/16"	2	
8	07030-007	WASHER, FLAT 7/16", PLATED	1	
9	07029-007	WASHER, LOCK 7/16", PLATED	1	
10	06502-012	SCREW, CAP 7/16-14 UNC X 1-1/2", PLATED GDE. 5	1	
11	06500-014	SCREW, CAP 5/16-18 UNC X 1-3/4", PLATED GDE. 5	2	
12	07030-005	WASHER, FLAT 5/16", PLATED	2	
13	07029-005	WASHER, LOCK 5/16", PLATED	4	
14	07033-005	NUT, HEXAGON 5/16-18 UNC, PLATED	2	
15	06510-008	SCREW, CAP 5/16-24 UNF X 1" PLATED, GRADE 5	2	
16	07033-006	NUT, HEXAGON 3/8-16 UNC, PLATED	6	
17	07030-006	WASHER, FLAT 3/8" PLATED	6	
18	29018-026	SCREW, CAP 3/8-16 UNC X 3/1/2", FULL THD PLATED	2	
19	07029-006	WASHER, LOCK 3/8", PLATED	4	
20	SFSG240317	SEAL, ADAPTER	1	

## WHEEL ASSY.

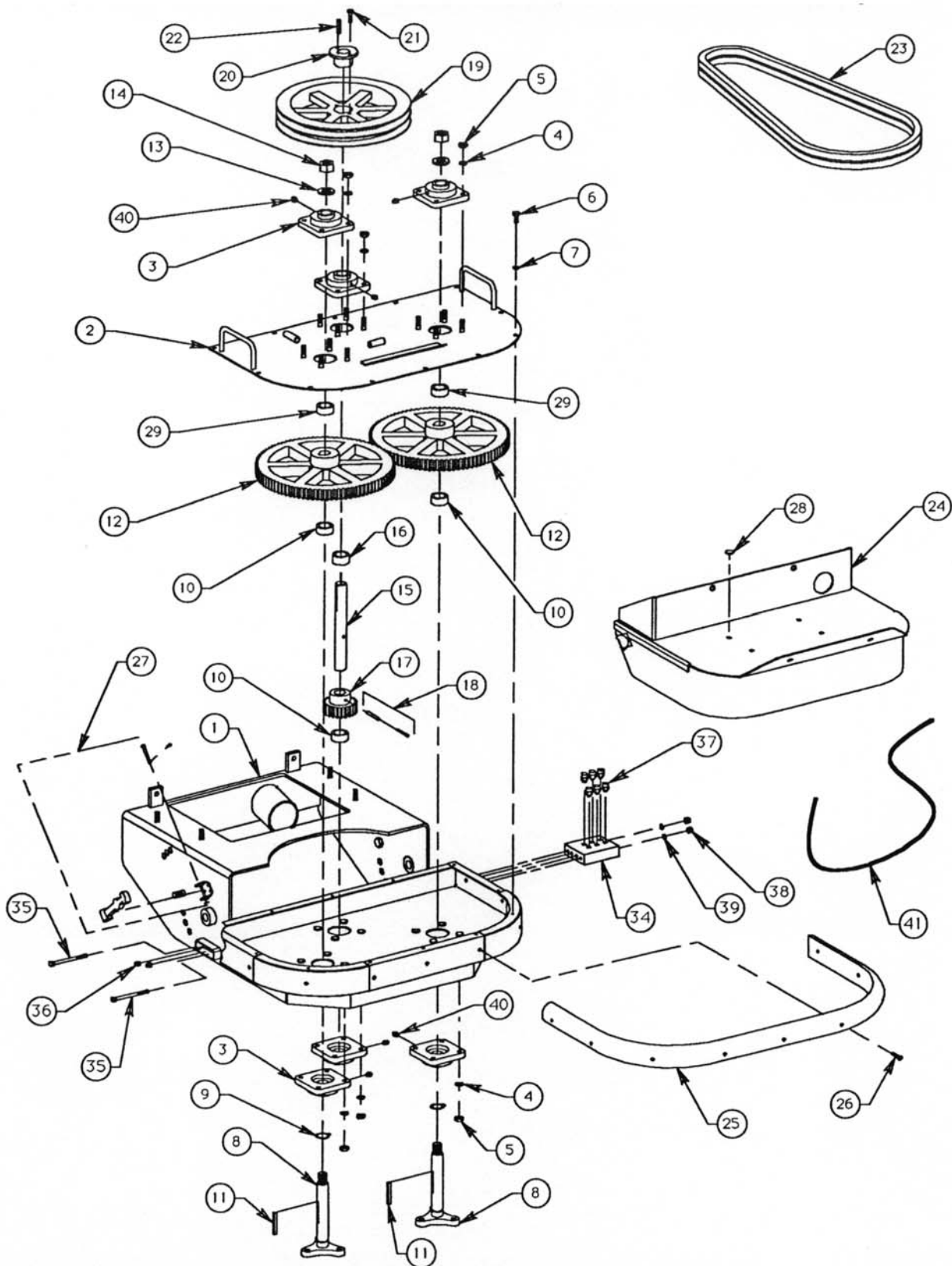


## WHEEL ASSY.

<u>NO.</u>	<u>PART NO.</u>	<u>PART NAME</u>	<u>QTY.</u>	<u>REMARKS</u>
1	29018-046	ARM, SWING	2	
2	29018-047	WHEEL	2	
3	29018-048	AXLE, PLATED	1	
4	07594-024	PIN, ROLL 3/16" 1-1/2"	4	
5	07030-012	WASHER, FLAT 3/4" PLATED	2	
6	07033-010	NUT, HEXAGON 5/8-11 UNC, PLATED	2	
7	07030-010	WASHER, FLAT 5/8" PLATED	2	
8	29018-049	BEARING, OILITE	2	
9	29018-050	BOLT, SHOULDER 3/4-10 UNC X 1-1/2"	2	
10	07030-008	WASHER, FLAT 1/2", PLATED	2	
11	07029-008	WASHER, LOCK 1/2", PLATED	2	
12	06503-010	SCREW, CAP 1/2-13 UNC X 1-14", PLATED	2	

# TRANSMISSION ASSY.

TRANSMISSION ASSY.



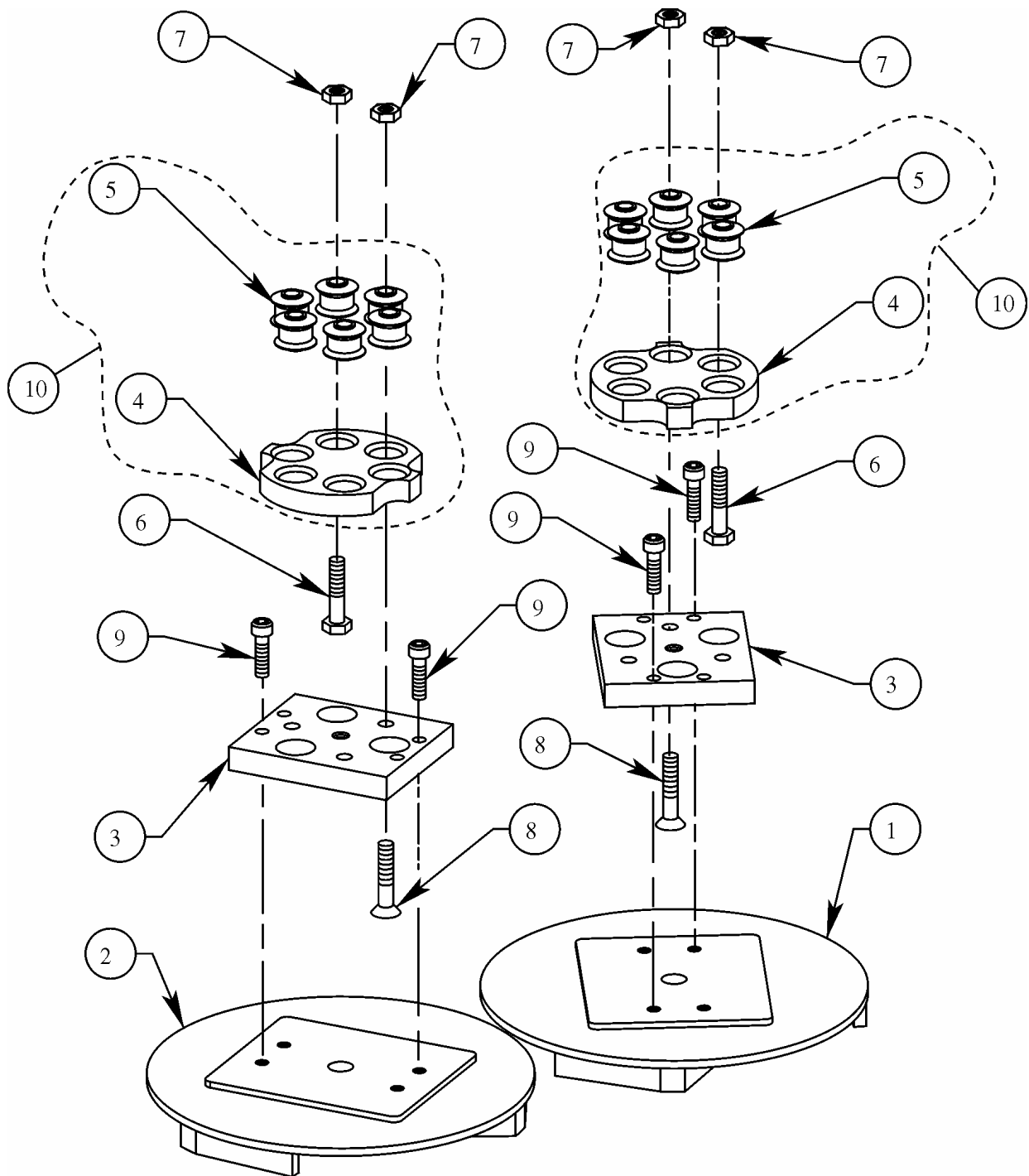


# TRANSMISSION ASSY.

## TRANSMISSION ASSY.

<u>NO.</u>	<u>PART NO.</u>	<u>PART NAME</u>	<u>QTY.</u>	<u>REMARKS</u>
1	29018-001	FRAME, MAIN	1	
2	29018-002	COVER, TRANSMISSION	1	
3	29018-003	BEARING, FLANGE	6	
4	07029-006	WASHER, LOCK 3/8", PLATED	24	
5	07033-006	NUT, HEXAGON 3/8-16 UNC, PLATED	24	
6	06500-006	SCREW, CAP 5/16-18 UNC X 3/4", PLATED GDE. 5	12	
7	07029-005	WASHER, LOCK 5/16" PLATED	12	
8	29018-004	SHAFT	2	
9	29018-005	RING, SNAP	2	
10	29018-006	SPACER, LONG	3	
11	10059-019	KEY, SQUARE 1/4" X 1/4" X 1-7/8"	2	
12	29018-007	GEAR	2	
13	07030-012	WASHER, FLAT 3/4" PLATED	2	
14	07038-012	NUT, HEXAGON JAM NYLOC 3/4-16 UNF	2	
15	29018-008	SHAFT	1	
16	29018-009	SPACER, MEDIUM	1	
17	29018-010	GEAR, DRIVE	1	
18	29018-011	PIN, SPIRAL ROLL 1/4" X 1-3/4"	1	
19	29018-012	PULLEY, DRIVEN	1	
20	29018-013	BUSHING, TAPERED	1	
21	09499-006	SCREW, CAP 1/4-20 UNC X 3/4" PLATED GRADE 5	2	
22	10057-011	KEY, SQUARE 1/4" X 1/4" X 1-1/4"	1	
23	29018-014	V-BELT, B-50	2	
24	29018-015	COVER, B-50	1	
25	29018-016	BUMPER, RUBBER	1	
26	29018-017	SCREW, CAP COUNTERSUNK 1/4-20 UNC X 5/8"	9	
27	29018-018	FASTENER, COVER	2	
28	29018-019	PLUG, HOLE	4	
29	29018-020	SPACER, SHORT	2	
34	SFSG240330	MANIFOLD BLOCK .....	1	S/N 25853 AND ABOVE
35	SF15043200	SCREW, CAP 1/4-20 UNC X 4, PLATED, GRADE 5.....	2	S/N 25853 AND ABOVE
36	SP80590	GREASE FITTING, STRAIGHT, 1/8 NPT .....	6	S/N 25853 AND ABOVE
37	SFSG120120	CONNECTOR, GREASE, 1/8" NPT .....	2	S/N 25853 AND ABOVE
38	07033-004	NUT, HEX 1/4-20" UNC PLATED .....	2	S/N 25853 AND ABOVE
39	07029-004	WASHER, LOCK 1/4", PLATED.....	2	S/N 25853 AND ABOVE
40	SFSG120130	CONNECTOR, GREASE .....	6	S/N 25853 AND ABOVE
41	SFSG240410	HOSE, GREASE LINE .....	AR	S/N 25853 AND ABOVE
		.....		CUT TO LENGTH

## HEAD ASSY.



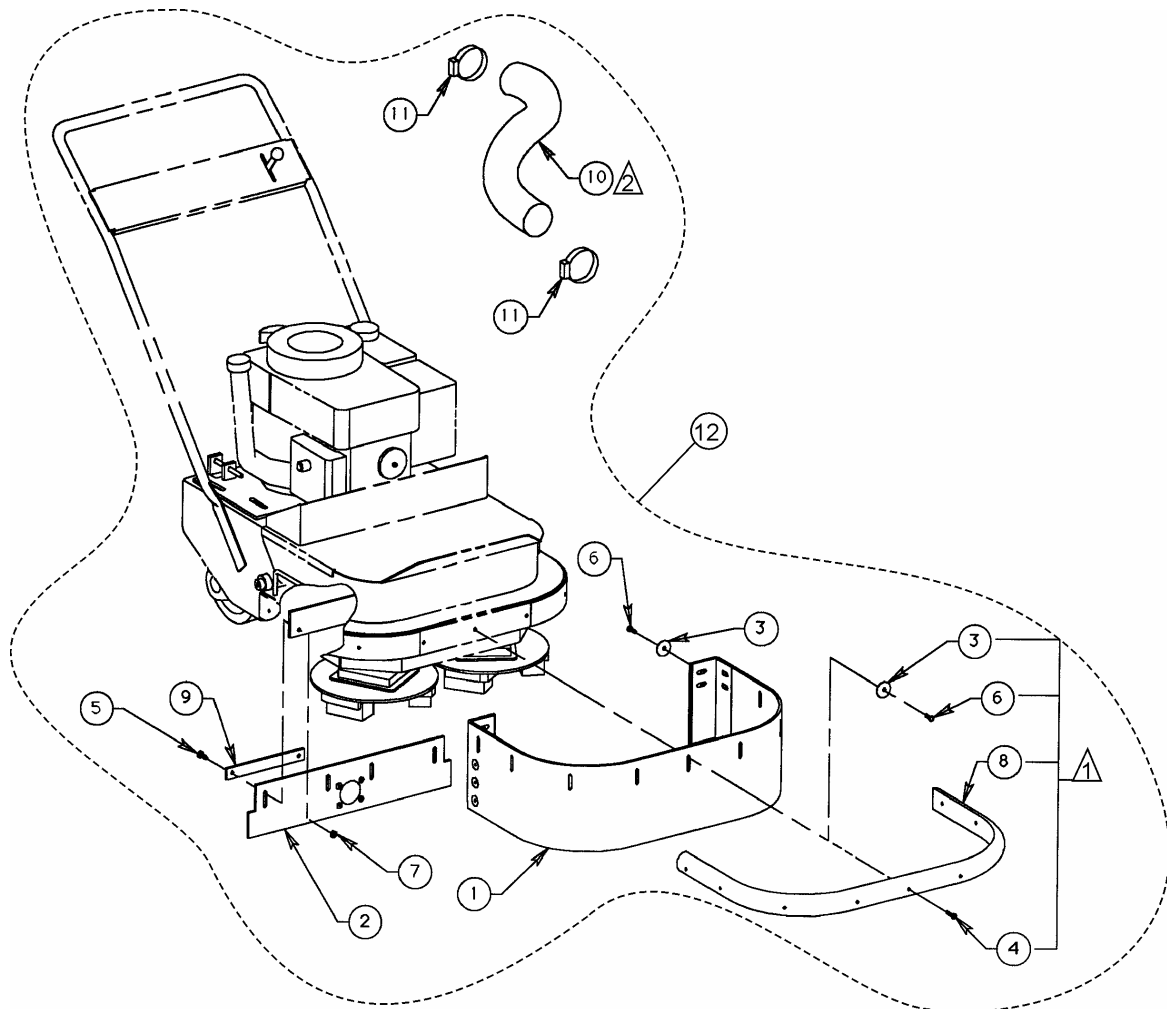
# HEAD ASSY.

## HEAD ASSY.

<u>NO.</u>	<u>PART NO.</u>	<u>PART NAME</u>	<u>QTY.</u>	<u>REMARKS</u>
1	29018-051	DISC, MULTI- ACCESSORY LH	1	
2	29018-052	DISC, MULTI- ACCESSORY RH	1	
3	29018-053	BAR, MOUNTING	2	
4#	29018-054	DISC, MOUNTING	2	
5#	29018-055	RUBBER BUSHING	12	
6	06502-016	SCREW, CAP 7/16-14 UNC X 2", PLATED GDE. 5	6	
7	08233-007	NUT, HEXAGON LOCKING 7/16-14 UNC, PLATED	12	
8	29018-056	SCREW, COUNTERSUNK 7/16-14 UNC X 2-1/4"	6	
9	29018-057	SCREW, SOCKET 3/8-16 UNC X 1-1/2" PLATED	8	
10	SFSG240120A	DISC MOUNTING ASSEMBLY.....	2.....	INCLUDES ITEMS W/#

# SAFETY AND DUST SHIELD ASSY.

## SAFETY AND DUST SHIELD ASSY.



### NOTES:

⚠ OPTIONAL INSTALLATION: INSTALL SKIRT (ITEM 1) WITH EITHER 9 COUNTER SUNK CAPSCREWS (ITEM 4) AND REINSTALL BUMPER (ITEM 8), OR WITH NINE WASHERS (ITEM 3) AND 9 HEX HEAD CAPSCREWS (ITEM 6).

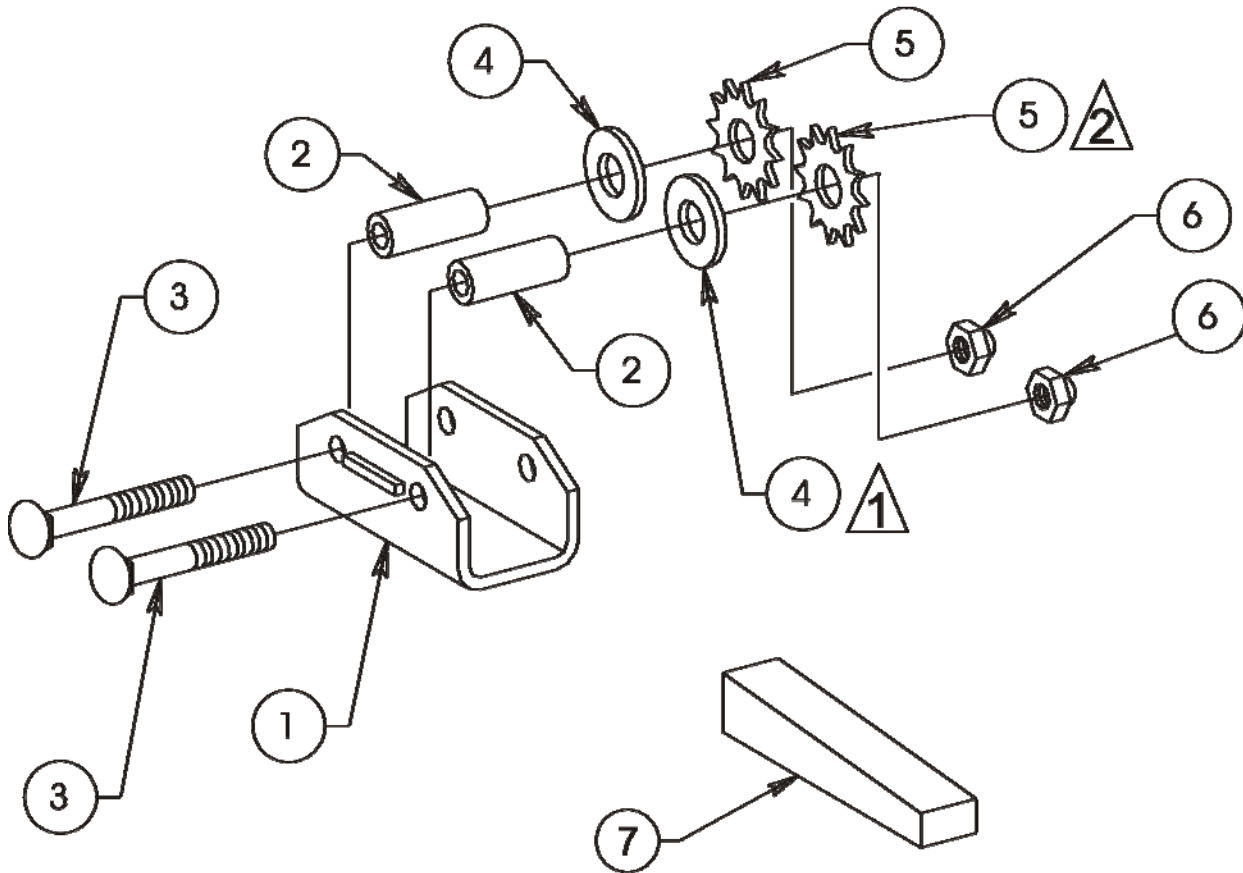
⚠ INSTALL HOSE ITEM 10, TO 3" OD TUBE WELDED TO GRINDER AND TO TUBE ON SKIRT WITH HOSE CLAMPS (ITEM 11)

# SAFETY AND DUST SHIELD ASSY.

## SAFETY AND DUST SHIELD ASSY.

<u>NO.</u>	<u>PART NO.</u>	<u>PART NAME</u>	<u>QTY.</u>	<u>REMARKS</u>
1#	29018-088	SKIRT, GRINDER	1	
2#	29018-089	SKIRT ASSEMBLY	1	
3#	29018-090	WASHER, FENDER 1/4 ", PLATED	11	
4#	29018-091	SCREW, CS 1/4 "X 1" UNC	9	
5#	06500-007	SCREW, CAP 5/16" 7/8" UNC	4	
6#	06499-007	SCREW, CAP 1/4" 7/8" UNC	11	
7#	08233-005	NUT, HEX 5/16"-1/8" UNC, NYLOCK	4	
8#	29018-016	BUMPER, RUBBER	1	
9#	29018-092	STRAP, SKIRT	2	
10#	29018-093	HOSE, VACUUM	1	
11#	14821-012	CLAMP, HOSE	2	
12	SFSG241000	SAFETY AND DUST SHIELD ASSEMBLY KIT.....	1.....	INCLUDES ITEMS W/#

SCARIFIER ASSY.



**NOTES:**

**1** 12 REQUIRED WITH 29019-010 AND 29019-011 FAILS. 8 REQUIRED WITH 29019-012 FAILS

**2** OPTIONAL CONFIGURATIONS DEPENDING ON JOB REQUIREMENTS.

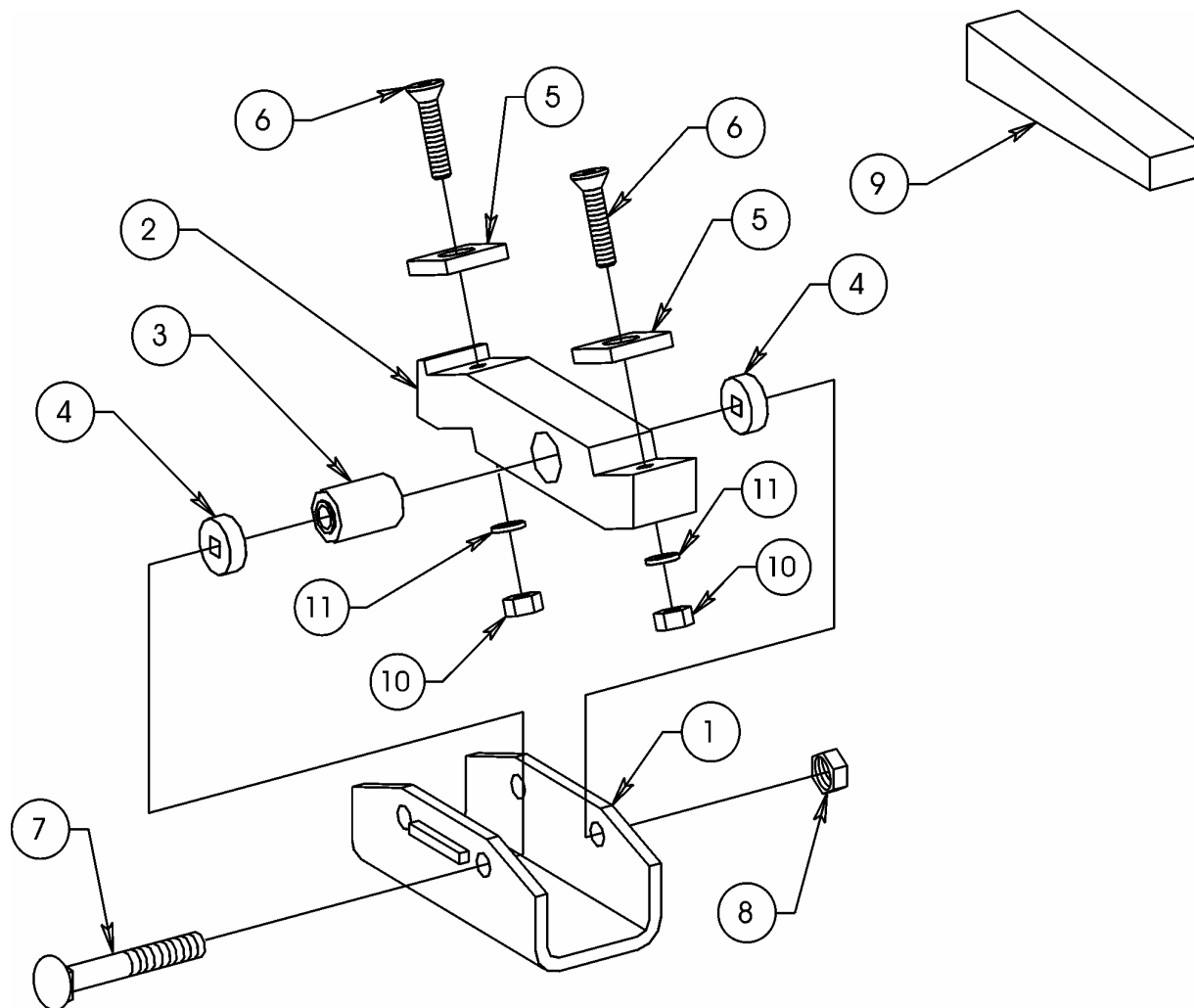
# SCARIFIER ASSY.

## SCARIFIER ASSY.

<u>NO.</u>	<u>PART NO.</u>	<u>PART NAME</u>	<u>QTY.</u>	<u>REMARKS</u>
1	SFSG241900012	HOUSING	1	
2	29018-083	BUSHING	2	
3	SF87052000	BOLT CARRIAGE 3/8"-16 UNC X 2-1/2 UNC, PLATED	2	
4	29019-013	WASHER, FLAT 5/8", HEAT TREATED.....	12.....	SEE NOTE 1
5	29019-010	FAIL, STAR HEAT TREATED STEEL.....	12.....	SEE NOTE 2
5	29019-011	FAIL, BEAM HEAT TREATED STEEL .....	12.....	SEE NOTE 2
5	29019-012	FAIL, PENTAGONAL HEAT TREATED STEEL.....	12.....	SEE NOTE 2
6	08233-006	NUT, HEX 3/8" UNC, NYLOCK PLATED	2	
7	29019-017	WEDGE, PLASTIC	1	

# SCRAPE-R-TACH ASSY.

SCRAPE-R-TACH ASSY.





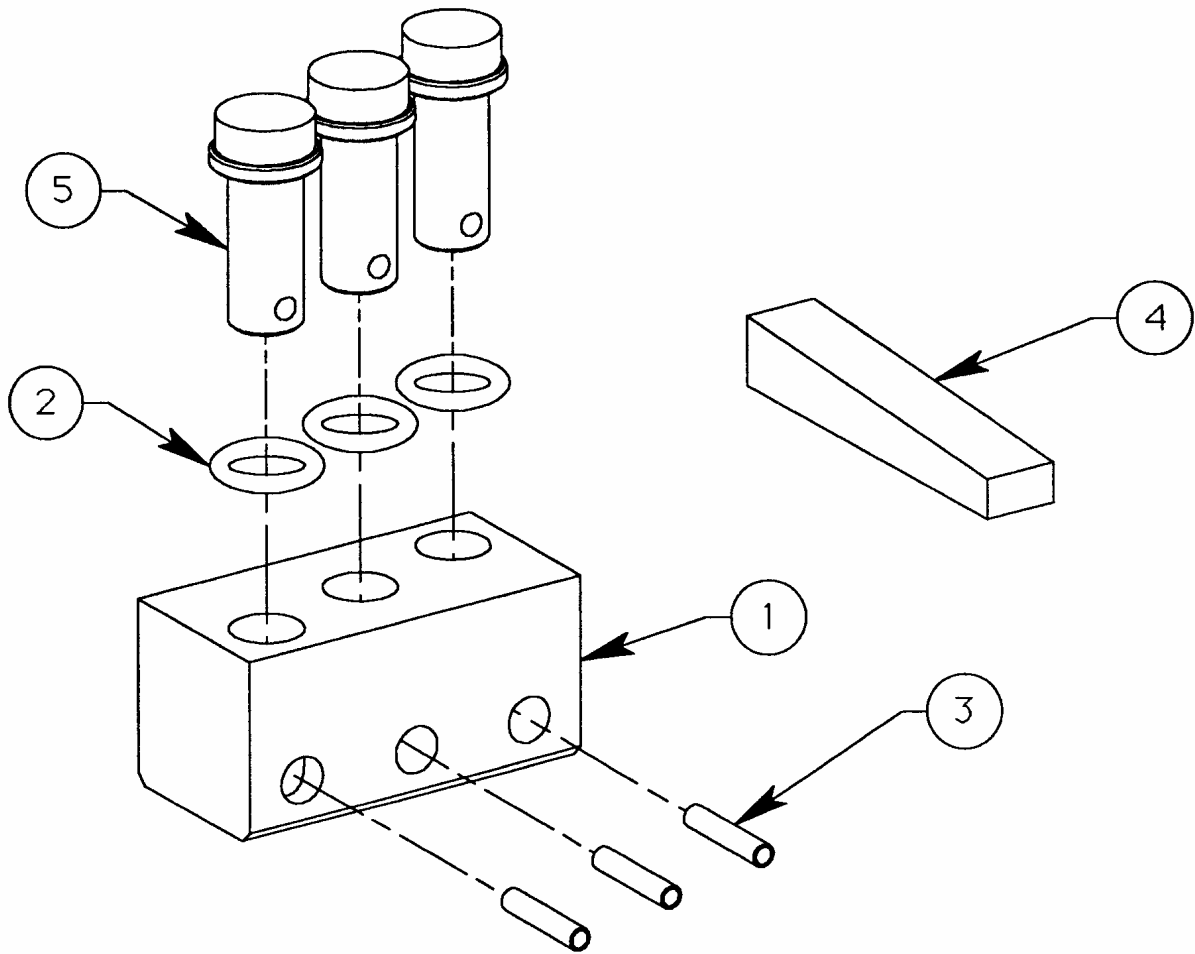
# SCRAPE-R-TACH ASSY.

## SCRAPE-R-TACH ASSY.

<u>NO.</u>	<u>PART NO.</u>	<u>PART NAME</u>	<u>QTY.</u>	<u>REMARKS</u>
1	29018-082	HOUSING	1	
2	29018-084	HOLDER, INSERT	1	
3	29018-085	MOUNT, RUBBER	1	
4	29018-086	SPACER	2	
5	29019-019	INSERT, TUNGSTEN CARBIDE	2	
6	29018-087	SCREW, C/S 1/4" UNC X 1-1/4"	2	
7	06500-020	BOLT CARRIAGE 5/16 UNC X 2-1/2" PLATED GD. 5	1	
8	08233-005	NUT, NYLOCK 5/16"-1/8" UNC, PLATED	1	
9	29019-017	WEDGE, PLASTIC	1	
10	07033-004	NUT, HEX 1/4"-20 PLATED	2	
11	07029-004	WASHER, LOCK1/4" PLATED	2	

# GRINDING BLOCK ASSY.

GRINDING BLOCK ASSY.

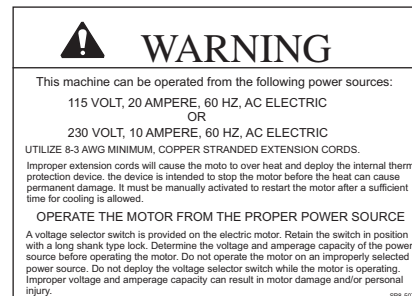
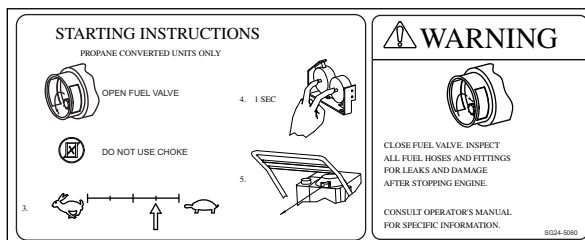
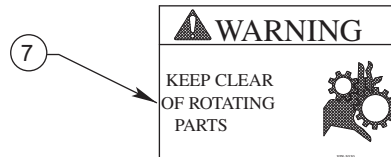
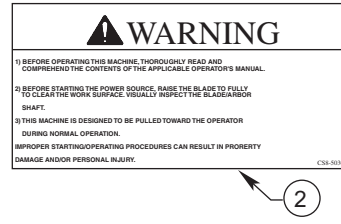
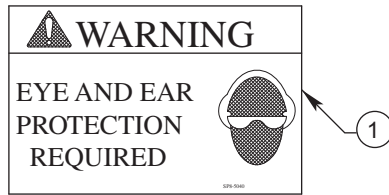


# GRINDING BLOCK ASSY.

## GRINDING BLOCK ASSY.

<u>NO.</u>	<u>PART NO.</u>	<u>PART NAME</u>	<u>QTY.</u>	<u>REMARKS</u>
1	SFG242101010	BLOCK	1	
2	SFG242101030	O-RING	3	
3	SF83040901	PIN, RETAINING, STAINLESS STEEL	3	
4	29019-017	WEDGE, PLASTIC	1	
5	SFSG242100020	PIN, DIAMOND PURPLE 40-50 GRIT .....	3.....	AGGRESS GRINDING
5	SFSG242101020	PIN, DIAMOND YELLOW 40-50 GRIT .....	3.....	GENERAL PURPOSE
5	SFSG242102020	PIN, DIAMOND BLACK 40-50 GRIT .....	3.....	EPOXY, MORTAR & ASPHALT
5	SFSG242103020	PIN, DIAMOND GREEN 40-50 GRIT .....	3.....	CONCRETE AND ASPHALT
5	SFSG242104020	PIN, DIAMOND RED 40-50 GRIT .....	3.....	GRINDING AND POLISHING

## DECALS.



## DECALS

<u>NO.</u>	<u>PART NO.</u>	<u>PART NAME</u>	<u>QTY.</u>	<u>REMARKS</u>
1	29020-045	DECAL, WARNING	1	
2	29022-033	DECAL, OPERATION	1	
3	29020-048	DECAL, WARNING	2	
4	29022-035	DECAL, WARNING	2	
5	SFSG245020	DECAL, THROTTLE	2	
6	512910	DECAL, MQ LOGO	1	
7	29020-049	DECAL, WARNING	1	
8	SFSP85070	DECAL, WARNING.....	1.....	2 HP MOTOR 60 HZ
9	SFSP8E5HP5020	DECAL, WARNING.....	1.....	3 HP MOTOR 50/60 HZ

## PAYMENT TERMS

Terms of payment for parts are net 30 days.

## FREIGHT POLICY

All parts orders will be shipped collect or prepaid with the charges added to the invoice. All shipments are F.O.B. point of origin. Multiquip's responsibility ceases when a signed manifest has been obtained from the carrier, and any claim for shortage or damage must be settled between the consignee and the carrier.

## MINIMUM ORDER

The minimum charge for orders from Multiquip is \$15.00 net. Customers will be asked for instructions regarding handling of orders not meeting this requirement.

## RETURNED GOODS POLICY

Return shipments will be accepted and credit will be allowed, subject to the following provisions:

1. A Returned Material Authorization must be approved by Multiquip prior to shipment.
2. To obtain a Return Material Authorization, a list must be provided to Multiquip Parts Sales that defines item numbers, quantities, and descriptions of the items to be returned.
  - a. The parts numbers and descriptions must match the current parts price list.
  - b. The list must be typed or computer generated.
  - c. The list must state the reason(s) for the return.
  - d. The list must reference the sales order(s) or invoice(s) under which the items were originally purchased.
  - e. The list must include the name and phone number of the person requesting the RMA.
3. A copy of the Return Material Authorization must accompany the return shipment.
4. Freight is at the sender's expense. All parts must be returned freight prepaid to Multiquip's designated receiving point.

5. Parts must be in new and resalable condition, in the original Multiquip package (if any), and with Multiquip part numbers clearly marked.
6. The following items are not returnable:
  - a. Obsolete parts. (If an item is in the price book and shows as being replaced by another item, it is obsolete.)
  - b. Any parts with a limited shelf life (such as gaskets, seals, "O" rings, and other rubber parts) that were purchased more than six months prior to the return date.
  - c. Any line item with an extended dealer net price of less than \$5.00.
  - d. Special order items.
  - e. Electrical components.
  - f. Paint, chemicals, and lubricants.
  - g. Decals and paper products.
  - h. Items purchased in kits.
7. The sender will be notified of any material received that is not acceptable.
8. Such material will be held for five working days from notification, pending instructions. If a reply is not received within five days, the material will be returned to the sender at his expense.
9. Credit on returned parts will be issued at dealer net price at time of the original purchase, less a 15% restocking charge.
10. In cases where an item is accepted, for which the original purchase document can not be determined, the price will be based on the list price that was effective twelve months prior to the RMA date.
11. Credit issued will be applied to future purchases only.

## PRICING AND REBATES

Prices are subject to change without prior notice. Price changes are effective on a specific date and all orders received on or after that date will be billed at the revised price. Rebates for price declines and added charges for price increases will not be made for stock on hand at the time of any price change.

Multiquip reserves the right to quote and sell direct to Government agencies, and to Original Equipment Manufacturer accounts who use our products as integral parts of their own products.

## SPECIAL EXPEDITING SERVICE

A \$35.00 surcharge will be added to the invoice for special handling including bus shipments, insured parcel post or in cases where Multiquip must personally deliver the parts to the carrier.

## LIMITATIONS OF SELLER'S LIABILITY

Multiquip shall not be liable hereunder for damages in excess of the purchase price of the item with respect to which damages are claimed, and in no event shall Multiquip be liable for loss of profit or good will or for any other special, consequential or incidental damages.

## LIMITATION OF WARRANTIES

No warranties, express or implied, are made in connection with the sale of parts or trade accessories nor as to any engine not manufactured by Multiquip. Such warranties made in connection with the sale of new, complete units are made exclusively by a statement of warranty packaged with such units, and Multiquip neither assumes nor authorizes any person to assume for it any other obligation or liability whatever in connection with the sale of its products. Apart from such written statement of warranty, there are no warranties, express, implied or statutory, which extend beyond the description of the products on the face hereof.

Effective: February 22, 2006



# OPERATION AND PARTS MANUAL

## HERE'S HOW TO GET HELP

PLEASE HAVE THE MODEL AND SERIAL  
NUMBER ON-HAND WHEN CALLING

### UNITED STATES

#### ***Multiquip Corporate Office***

18910 Wilmington Ave.      Tel. (800) 421-1244  
Carson, CA 90746      Fax (800) 537-3927  
Contact: mq@multiquip.com

#### ***Mayco Parts***

800-306-2926      Fax: 800-672-7877  
310-537-3700      Fax: 310-637-3284

#### ***Service Department***

800-421-1244      Fax: 310-537-4259  
310-537-3700

#### ***MQ Parts Department***

800-427-1244      Fax: 800-672-7877  
310-537-3700      Fax: 310-637-3284

#### ***Warranty Department***

800-421-1244, Ext. 279      Fax: 310-537-1173  
310-537-3700, Ext. 279

#### ***Technical Assistance***

800-478-1244      Fax: 310-631-5032

### MEXICO

#### ***MQ Cipsa***

Carr. Fed. Mexico-Puebla KM 126.5      Tel: (52) 222-225-9900  
Momoxpan, Cholula, Puebla 72760 Mexico      Fax: (52) 222-285-0420  
Contact: pmastretta@cipsa.com.mx

### CANADA

#### ***Multiquip***

4110 Industriel Boul.      Tel: (450) 625-2244  
Laval, Quebec, Canada H7L 6V3      Tel: (877) 963-4411  
Contact: jmartin@multiquip.com      Fax: (450) 625-8664

### UNITED KINGDOM

#### ***Multiquip (UK) Limited Head Office***

Hanover Mill, Fitzroy Street,      Tel: 0161 339 2223  
Ashton-under-Lyne,      Fax: 0161 339 3226  
Lancashire OL7 0TL  
Contact: sales@multiquip.co.uk

© COPYRIGHT 2009, MULTQUIP INC.

Multiquip Inc and the MQ logo are registered trademarks of Multiquip Inc. and may not be used, reproduced, or altered without written permission. All other trademarks are the property of their respective owners and used with permission.

This manual MUST accompany the equipment at all times. This manual is considered a permanent part of the equipment and should remain with the unit if resold.

The information and specifications included in this publication were in effect at the time of approval for printing. Illustrations, descriptions, references and technical data contained in this manual are for guidance only and may not be considered as binding. Multiquip Inc. reserves the right to discontinue or change specifications, design or the information published in this publication at any time without notice and without incurring any obligations.

Your Local Dealer is:





## Free Manuals Download Website

<http://myh66.com>

<http://usermanuals.us>

<http://www.somanuals.com>

<http://www.4manuals.cc>

<http://www.manual-lib.com>

<http://www.404manual.com>

<http://www.luxmanual.com>

<http://aubethermostatmanual.com>

Golf course search by state

<http://golfingnear.com>

Email search by domain

<http://emailbydomain.com>

Auto manuals search

<http://auto.somanuals.com>

TV manuals search

<http://tv.somanuals.com>