

PARTS MANUAL



***WHITEMAN* SERIES** **STX RIDE-ON POWER TROWEL** **MODEL STX55J6** **MODEL STX55Y6**

Revision #9 (03/05/10)

To find the latest revision of this
publication, visit our website at:
www.multiquip.com



THIS MANUAL MUST ACCOMPANY THE EQUIPMENT AT ALL TIMES.

P/N 21659

WARNING

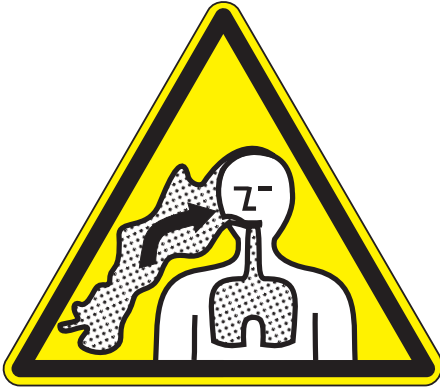
CALIFORNIA — Proposition 65 Warning

Engine exhaust and some of its constituents, and some dust created by power sanding, sawing, grinding, drilling and other construction activities contains chemicals known to the State of California to cause cancer, birth defects and other reproductive harm. Some examples of these chemicals are:

- Lead from lead-based paints.
- Crystalline silica from bricks.
- Cement and other masonry products.
- Arsenic and chromium from chemically treated lumber.

Your risk from these exposures varies, depending on how often you do this type of work. To reduce your exposure to these chemicals: **ALWAYS** work in a well ventilated area, and work with approved safety equipment, such as dust masks that are specially designed to filter out microscopic particles.

WARNING



SILICOSIS WARNING

Grinding/cutting/drilling of masonry, concrete, metal and other materials with silica in their composition may give off dust or mists containing crystalline silica. Silica is a basic component of sand, quartz, brick clay, granite and numerous other minerals and rocks. Repeated and/or substantial inhalation of airborne crystalline silica can cause serious or fatal respiratory diseases, including silicosis. In addition, California and some other authorities have listed respirable crystalline silica as a substance known to cause cancer. When cutting such materials, always follow the respiratory precautions mentioned above.

WARNING



RESPIRATORY HAZARDS

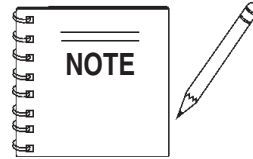
Grinding/cutting/drilling of masonry, concrete, metal and other materials can generate dust, mists and fumes containing chemicals known to cause serious or fatal injury or illness, such as respiratory disease, cancer, birth defects or other reproductive harm. If you are unfamiliar with the risks associated with the particular process and/or material being cut or the composition of the tool being used, review the material safety data sheet and/or consult your employer, the material manufacturer/supplier, governmental agencies such as OSHA and NIOSH and other sources on hazardous materials. California and some other authorities, for instance, have published lists of substances known to cause cancer, reproductive toxicity, or other harmful effects.

Control dust, mist and fumes at the source where possible. In this regard use good work practices and follow the recommendations of the manufacturers or suppliers, OSHA/NIOSH, and occupational and trade associations. Water should be used for dust suppression when wet cutting is feasible. When the hazards from inhalation of dust, mists and fumes cannot be eliminated, the operator and any bystanders should always wear a respirator approved by NIOSH/MSHA for the materials being used.

STX-SERIES RIDE-ON TROWEL — TABLE OF CONTENTS

MQ Whiteman STX-SERIES Ride-On Power Trowel

Proposition 65 Warning	2
Silicosis Warning/Respiratory Hazards	3
Table of Contents	4
Parts Ordering Procedures	5
Explanation Of Code In Remarks Column	6
Suggested Spare Parts	7



Specification and part number are subject to change without notice.

Component Drawings

Nameplate and Decals	8-9
Frame Assembly	10-11
Platform Assembly	12-13
Cooler/Valve Bypass Assembly	15-15
Hydraulic Assembly	16-19
Burp Tank/Suction Filter Assembly	20-21
Pump Levers Assembly	22-23
Hose Kit Assembly	24-25
Engine Assembly (John Deere)	26-27
Engine Assembly (Yanmar)	28-29
Fuel System Assembly (John Deere)	30-31
Fuel System Assembly (Yanmar)	32-33
Pivot Assembly	34-35
Stabilizer Ring Assembly	36-37
6-Blade Spider Assembly (LH)	38-39
6-Blade Spider Assembly (RH)	40-41
Seat Frame Assembly	42-43
Front Panel Assembly (Right-Side)	44-45
Frame Assembly (Right-Front)	46-47
Frame Assembly (Right-Rear)	48-49
Frame Assembly (Left-Front/Rear)	50-51
Right-Hand Valve Assy. Up To S/N 2000885	52-53
Right-Hand Valve Assy. From S/N 2000886	54-55
Left-Hand Valve Assembly	56-57
Spray Assembly	58-59
Battery Assembly	60-61
Wiring Diagram	62
Terms and Conditions of Sale	63

STX-SERIES RIDE-ON TROWEL — PARTS ORDERING PROCEDURES

www.multiquip.com

Ordering parts has never been easier! Choose from three easy options:

Effective:
January 1st, 2006



Order via Internet (Dealers Only):

Order parts on-line using Multiquip's SmartEquip website!

- View Parts Diagrams
- Order Parts
- Print Specification Information



If you have an MQ Account, to obtain a Username and Password, E-mail us at: parts@multiquip.com.

To obtain an MQ Account, contact your District Sales Manager for more information.

Goto www.multiquip.com and click on

Order Parts to log in and save!

Use the **internet** and qualify for a **5% Discount** on **Standard orders** for all orders which include complete part numbers.*

Note: Discounts Are Subject To Change



Order via Fax (Dealers Only):

All customers are welcome to order parts via Fax.

Domestic (US) Customers dial:
1-800-6-PARTS-7 (800-672-7877)

Fax your order in and qualify for a **2% Discount** on **Standard orders** for all orders which include complete part numbers.*

Note: Discounts Are Subject To Change



Order via Phone: Domestic (US) Dealers Call:
1-800-427-1244

Non-Dealer Customers:

Contact your local Multiquip Dealer for parts or call 800-427-1244 for help in locating a dealer near you.



International Customers should contact their local Multiquip Representatives for Parts Ordering information.

When ordering parts, please supply:

- | | |
|---|--|
| <input type="checkbox"/> Dealer Account Number | <input type="checkbox"/> Specify Preferred Method of Shipment: |
| <input type="checkbox"/> Dealer Name and Address | <input checked="" type="checkbox"/> UPS/Fed Ex <input checked="" type="checkbox"/> DHL |
| <input type="checkbox"/> Shipping Address (if different than billing address) | <input type="checkbox"/> Priority One <input checked="" type="checkbox"/> Truck |
| <input type="checkbox"/> Return Fax Number | <input type="checkbox"/> Ground |
| <input type="checkbox"/> Applicable Model Number | <input type="checkbox"/> Next Day |
| <input type="checkbox"/> Quantity, Part Number and Description of Each Part | <input type="checkbox"/> Second/Third Day |

NOTICE

All orders are treated as *Standard Orders* and will ship the same day if received prior to 3PM PST.

WE ACCEPT ALL MAJOR CREDIT CARDS!



EXPLANATION OF CODE IN REMARKS COLUMN

The following section explains the different symbols and remarks used in the Parts section of this manual. Use the help numbers found on the back page of the manual if there are any questions.

NOTICE

The contents and part numbers listed in the parts section are subject to change **without notice**. Multiquip does not guarantee the availability of the parts listed.

SAMPLE PARTS LIST

NO.	PART NO.	PART NAME	QTY.	REMARKS
1	12345	BOLT.....	1	INCLUDES ITEMS W/%
2%		WASHER, 1/4 IN.....		NOT SOLD SEPARATELY
2%	12347	WASHER, 3/8 IN....	1	MQ-45T ONLY
3	12348	HOSE		A/R ...MAKE LOCALLY
4	12349	BEARING	1	S/N 2345B AND ABOVE

NO. Column

Unique Symbols — All items with same unique symbol

(@, #, +, %, or >) in the number column belong to the same assembly or kit, which is indicated by a note in the “Remarks” column.

Duplicate Item Numbers — Duplicate numbers indicate multiple part numbers, which are in effect for the same general item, such as different size saw blade guards in use or a part that has been updated on newer versions of the same machine.

NOTICE

When ordering a part that has more than one item number listed, check the remarks column for help in determining the proper part to order.

PART NO. Column

Numbers Used — Part numbers can be indicated by a number, a blank entry, or TBD.

TBD (To Be Determined) is generally used to show a part that has not been assigned a formal part number at the time of publication.

A blank entry generally indicates that the item is not sold separately or is not sold by Multiquip. Other entries will be clarified in the “Remarks” Column.

QTY. Column

Numbers Used — Item quantity can be indicated by a number, a blank entry, or A/R.

A/R (As Required) is generally used for hoses or other parts that are sold in bulk and cut to length.

A blank entry generally indicates that the item is not sold separately. Other entries will be clarified in the “Remarks” Column.

REMARKS Column

Some of the most common notes found in the “Remarks” Column are listed below. Other additional notes needed to describe the item can also be shown.

Assembly/Kit — All items on the parts list with the same unique symbol will be included when this item is purchased.

Indicated by:

“INCLUDES ITEMS W/(unique symbol)”

Serial Number Break — Used to list an effective serial number range where a particular part is used.

Indicated by:

“S/N XXXXX AND BELOW”

“S/N XXXX AND ABOVE”

“S/N XXXX TO S/N XXX”

Specific Model Number Use — Indicates that the part is used only with the specific model number or model number variant listed. It can also be used to show a part is NOT used on a specific model or model number variant.

Indicated by:

“XXXXX ONLY”

“NOT USED ON XXXX”

“Make/Obtain Locally” — Indicates that the part can be purchased at any hardware shop or made out of available items. Examples include battery cables, shims, and certain washers and nuts.

“Not Sold Separately” — Indicates that an item cannot be purchased as a separate item and is either part of an assembly/kit that can be purchased, or is not available for sale through Multiquip.

STX-SERIES RIDE-ON TROWEL— SUGGESTED SPARE PARTS

STX-SERIES RIDE-ON TROWEL

1 TO 3 UNITS WITH JOHN DEERE 4020 TURBO DIESEL ENGINE OR YANMAR 4TNV84T ENGINE

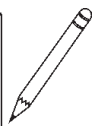
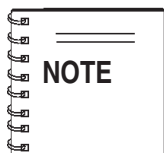
Qty.	P/N	Description
4	20673	LATCH, RUBBER HOOD
2	20674	GRAB HANDLE
1	11098	CIRCUIT BREAKER
1	12017	RELAY, KILL
1	21470	SWITCH, ON-OFF
1	20165	PALM HANDLE KIT
2	12548	PUMP SPRAY
10	21597	BUMPER
5	21468	KNOB
1	21341	CABLE, CONTROL THUMB RELEASE 46"
4	21052	LIGHT
1	10568	THROTTLE CABLE
2	11991	ARM TROWEL
6	11039	BUSHING
3	2143	SPRING, R.S.
3	9111	SPRING, L.S.
1	21212	SPIDER, SERVICE KIT
2	20939	THRUST COLLAR KIT
2	21231	ISOLATOR
1	21301	PUMP ROD
1	12056	STEERING CYLINDER
1	20652	CYLINDER PITCH
2	21107	SUCTION FILTER
2	21266	BEARING BLOCK ASSY. RH
2	21267	BEARING BLOCK ASSY. LH

ENGINE PARTS FOR JOHN DEERE 4020 TURBO DIESEL ENGINE

2	JDM801209	OIL FILTER
2	JDT111383	FUEL FILTER
2	JDRG60690	AIR FILTER ELEMENT
1	20672	GAUGE, ENGINE STATUS S/N 2000866 AND BELOW
1	406021	GAUGE, ENGINE STATUS S/N 2000867 AND ABOVE
2	JDM801821	FAN BELT
1	20511	IGNITION SWITCH
2	12940	IGNITION KEY ONLY
1	M811034	THERMOSTAT
1	M805835	THERMOSTAT GASKET
1	RG60701	HOSE UPPER RADIATOR
1	RG60348	HOSE LOWER RADIATOR

PARTS FOR YANMAR DIESEL ENGINE

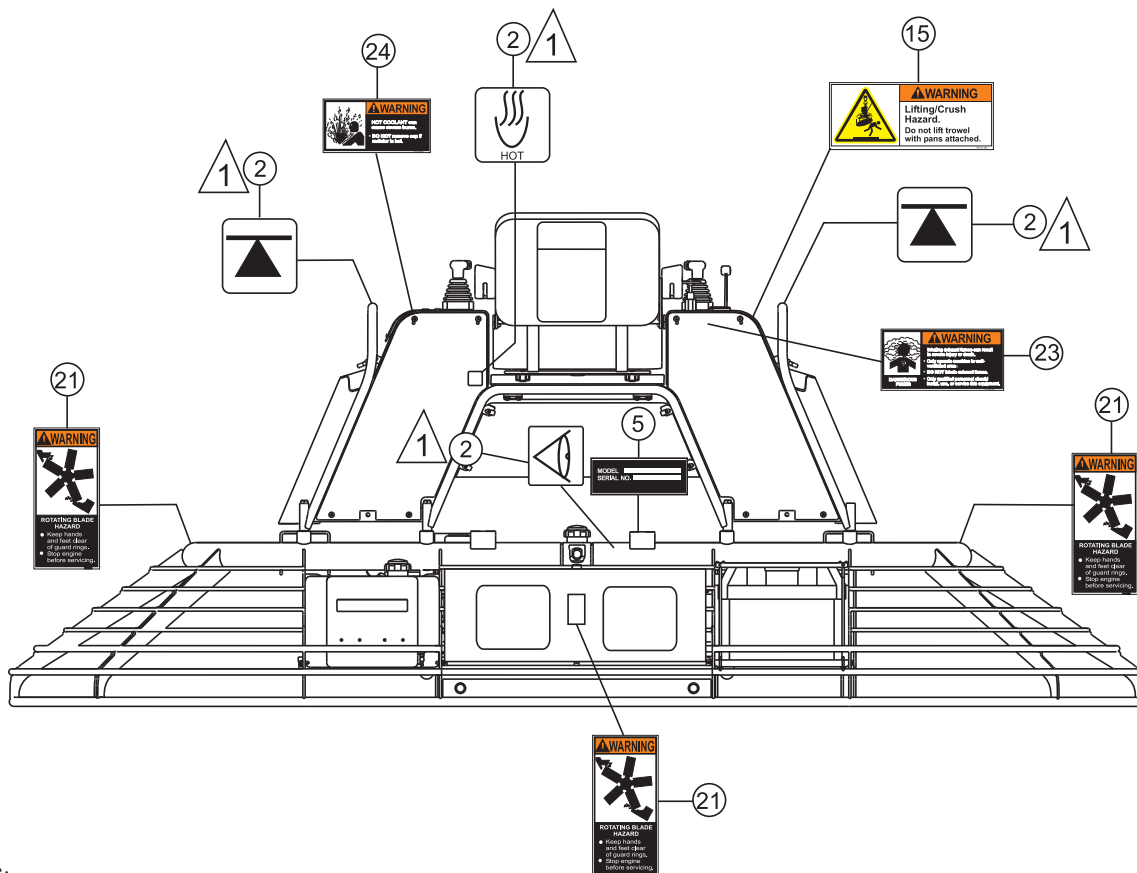
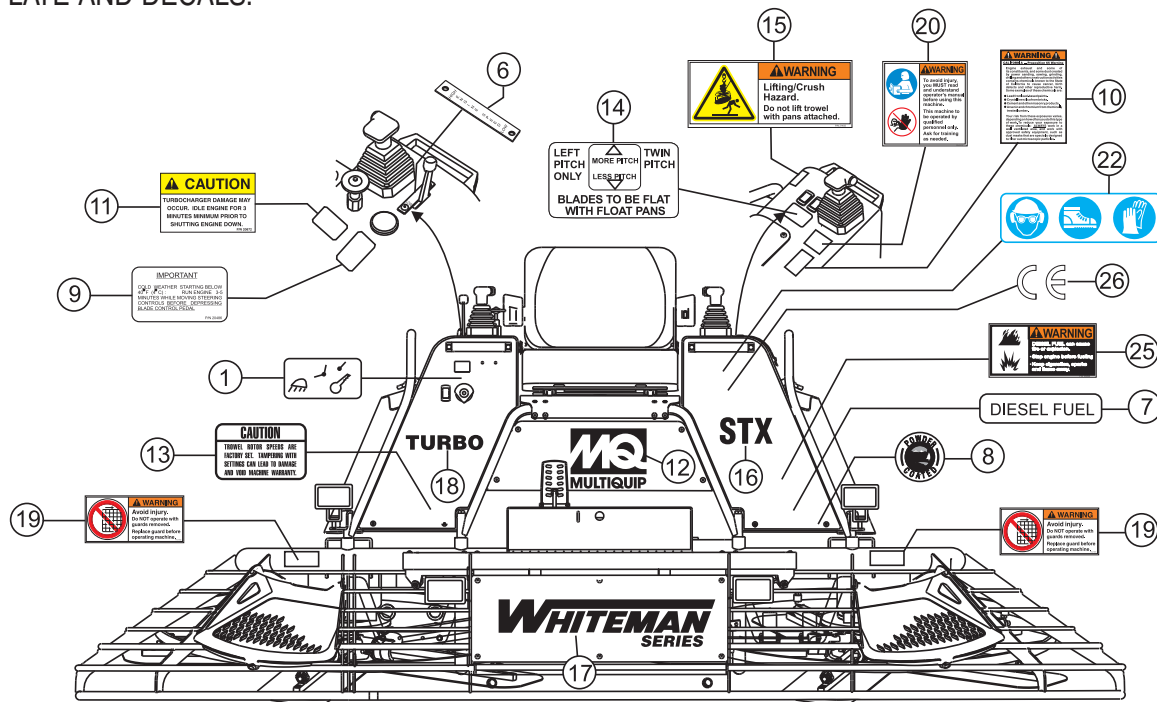
Qty.	P/N	Description
2	12915035152	OIL FILTER
2	11980255800	FUEL FILTER
2	P822768	DONALDSON AIR FILTER ELEMENT
1	406021	GAUGE, ENGINE STATUS
2	11986542290	FAN BELT
1	20511	IGNITION SWITCH
2	12940	IGNITION KEY ONLY
1	12915549601	THERMOSTAT
1	12915049811	THERMOSTAT GASKET
1	68900143SRF	HOSE UPPER RADIATOR
1	68900305SRF	HOSE LOWER RADIATOR



Part numbers on this Suggested Spare Parts List may supercede/replace the P/N's shown in the test pages of this manual.

STX-SERIES RIDE-ON TROWEL — NAMEPLATE AND DECALS.

NAMEPLATE AND DECALS.



NOTES:

1 DECALS CANNOT BE PURCHASED SEPARTELY.

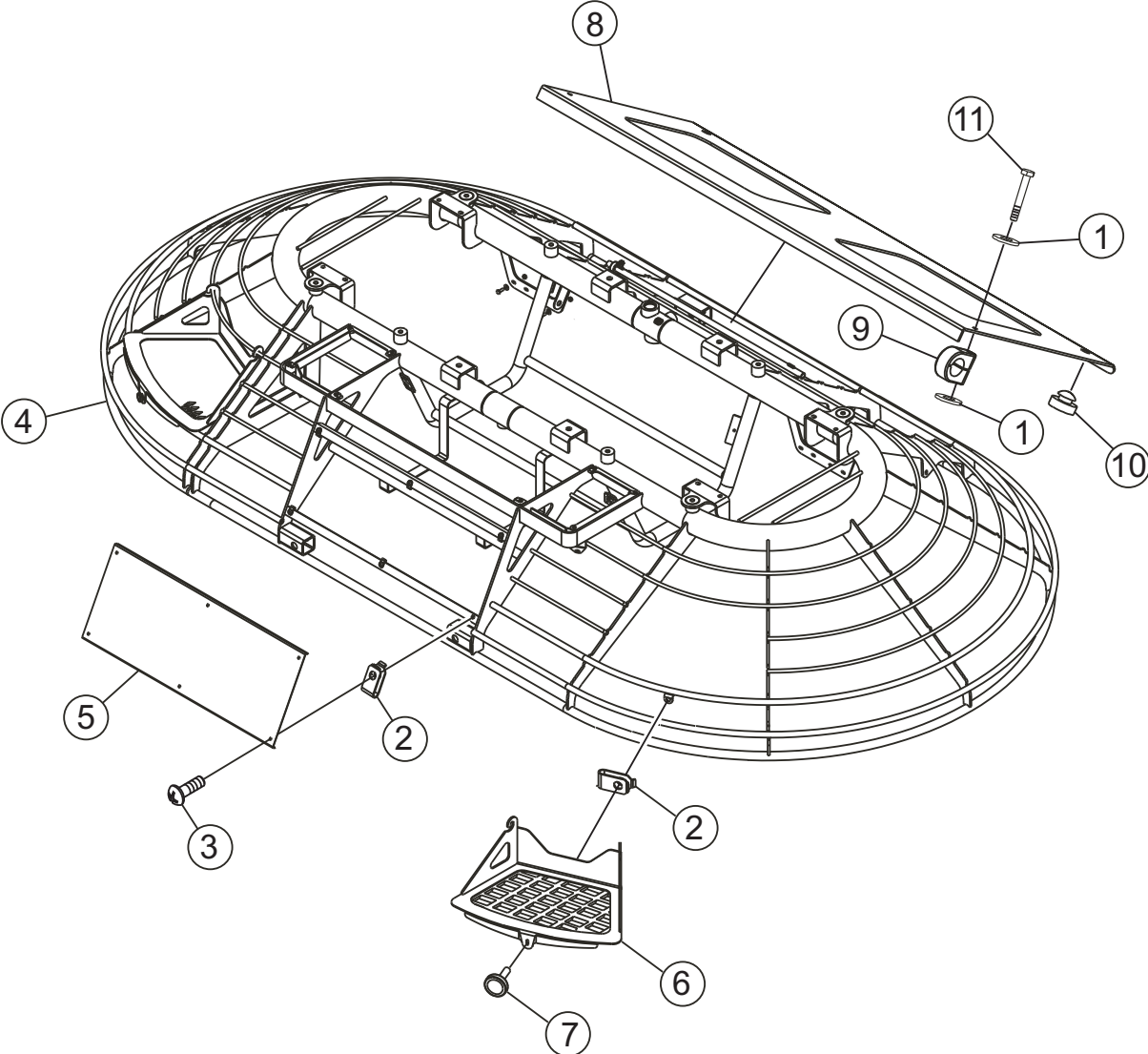
STX-SERIES RIDE-ONTROWEL — NAMEPLATE AND DECALS.

NAMEPLATE AND DECALS.

<u>NO.</u>	<u>PART NO.</u>	<u>PART NAME</u>	<u>QTY.</u>	<u>REMARKS</u>
1*	2814	DECAL, LIGHT, IGNITION SWITCH	1	
2*	11246	DECAL, SET INTERNATIONAL STANDARDS	1	SAFETY ITEM
		LIFT POINT, HOT SURFACE, HYD. OIL CHECK		
5		NAMEPLATE	1	CONTACT MQ PARTS DEPT.
6	11712	DECAL, ENGINE SPEED PLATE	1	
7*	11811	DECAL, DIESEL FUEL	1	
8*	13118	DECAL, POWDER COATED	1	
9*	20486	DECAL, HYDRAULIC RIDER COLD START	1	
10*	20525	DECAL, WARNING, PROPOSITION 65	1	SAFETY ITEM
11*	20872	DECAL, CAUTION TURBOCHARGER	1	SAFETY ITEM
12*	20936	DECAL, MQ LOGO	1	
13*	20953	DECAL, CAUTION ROTOR SPEED SETTING	1	SAFETY ITEM
14*	21169	DECAL, BLADE PITCH	1	
15*	21455	DECAL, WARNING, LIFT CRUSH HAZARD	1	SAFETY ITEM
16*	21579	DECAL, STX LOGO	1	
17*	21589	DECAL, WHITEMAN LOGO	1	
18*	21590	DECAL, TURBO LOGO	1	
19*	21665	DECAL, WARNING, REPLACE GUARDS	2	SAFETY ITEM
20*	35137	DECAL, WARNING, READ MANUAL	1	SAFETY ITEM
21*	35168	DECAL, WARNING, ROTATING BLADE HAZARD	3	SAFETY ITEM
22*	36099	DECAL, HELMET, BOOT, GLOVES (ISO BLUE)	1	SAFETY ITEM
23	36090	DECAL, WARNING VENTILATION	1	SAFETY ITEM
24	36091	DECAL, WARNINGHOT COOLANT	1	SAFETY ITEM
25	36092	DECAL, WARNING DIESEL FUEL	1	SAFETY ITEM
26	11092	DECAL, CE	1	
27	20707	KIT, DECAL	1	INCLUDES ITEMS W/*

STX-SERIES RIDE-ON TROWEL — FRAME ASSY.

FRAME ASSY.



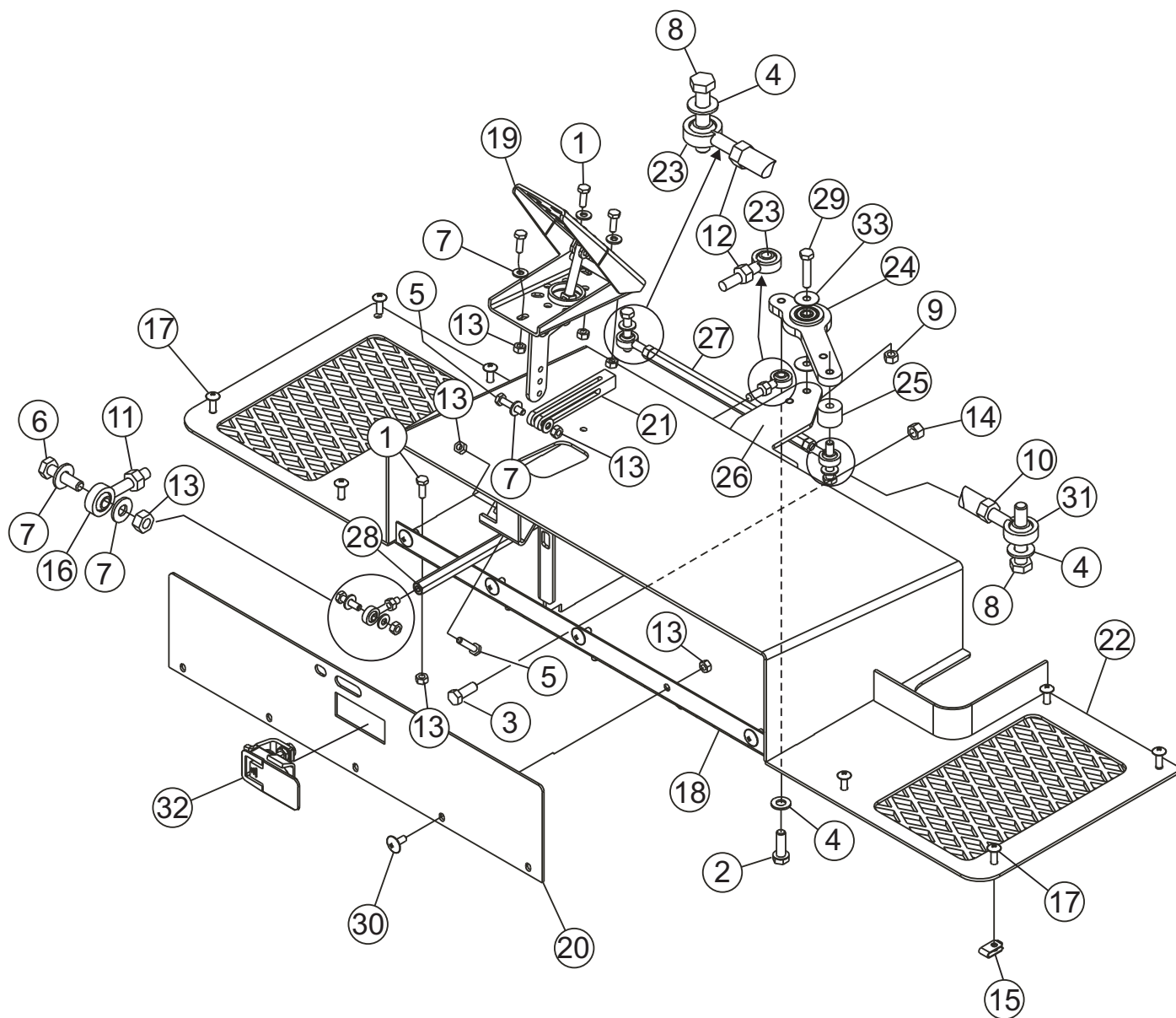
STX-SERIES RIDE-ON TROWEL — FRAME ASSY.

FRAME ASSY.

<u>NO.</u>	<u>PART NO.</u>	<u>PART NAME</u>	<u>QTY.</u>	<u>REMARKS</u>
1	0948	WASHER, FLAT, 1/4 SAE	4	
2	11534	NUT UTYPE 1/4-20	8	
3	12287	SCREW, THP 1/4-20 X 3/4 SS	6	
4	20628	FRAME W/A	1	
5	20697	PANEL, FRONT	1	SAFETY ITEM
6	21428	STEP, W/A	2	SAFETY ITEM
7	21468	KNOB, PLASTIC 1/4-20 X 1 STUD	2	
8	21547	PANEL, REAR	1	SAFETY ITEM
9	21490	CLAMP, TUBE 18MM STAUFF LN4180PP	2	
10	21597	BUMPER, STEM 1" DIA X .5" STEMx.31TK	2	
11	26250	SCREW, HHC 1/4-20 x 1-3/4	2	

STX-SERIES RIDE-ONTROWEL — PLATFORM ASSY.

PLATFORM ASSY.



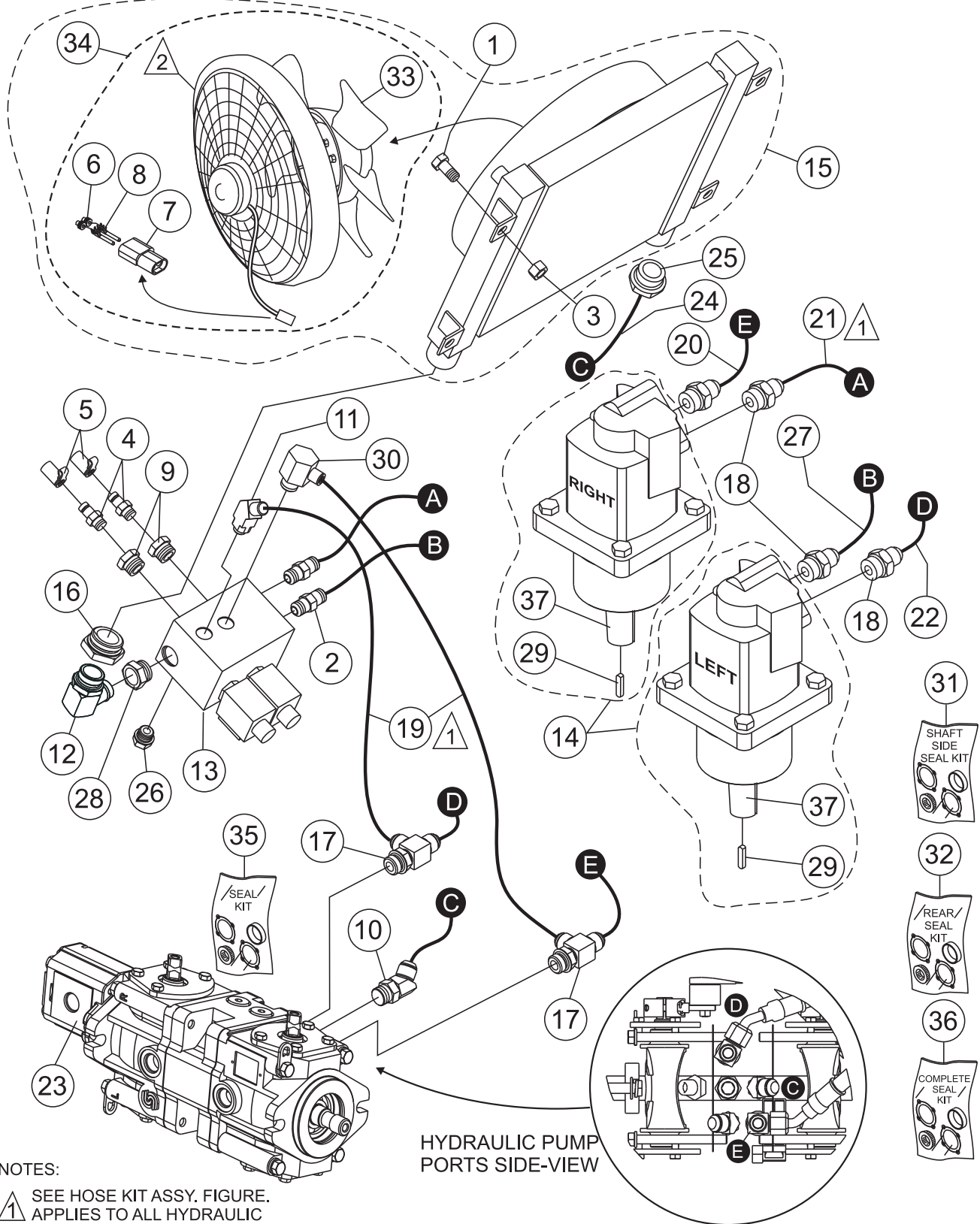
STX-SERIES RIDE-ON TROWEL — PLATFORM ASSY.

PLATFORM ASSY.

<u>NO.</u>	<u>PART NO.</u>	<u>PART NAME</u>	<u>QTY.</u>	<u>REMARKS</u>
1	0131 A	SCREW, HHC 1/4-20 x 3/4	8	
2	0202	SCREW, HHC 5/16-18 X 1	1	
3	0205	SCREW, HHC 3/8-16 x 1	1	
4	0300 B	WASHER, FLAT 5/16 SAE	3	
5	0424	SCREW, HHC 1/4-20 x 1-1/4	2	
6	0730	SCREW, HHC 1/4-20 x 1	1	
7	0948	WASHER, FLAT 1/4	7	
8	1207	SCREW, HHC 5/16-18 X 1-3/4	2	
9	2656	NUT, NYLOC 5/16-24	1	
10	6014 C	NUT, HEX FINISH 5/16-24	1	
11	6904	NUT, HEX FINISH 1/4-28	1	
12	8131	NUT, HEX FINISH L. H. 5/16-24	2	
13	10024	NUT, NYLOC 1/4-20	11	
14	10133	NUT, NYLOC 3/8-16	1	
15	11534	NUT U-TYPE 1/4-20	8	
16	11643	ROD END, 1/4-28 MALE RH	1	
17	12287	SCREW, THP 1/4-20 X 3/4 SS	8	
18	20692	HINGE, TOOLBOX ACCESS PANEL	1	
19	20694	PEDAL, HYDRAULIC PUMP	1	
20	20698	DOOR PLATE	1	
21	20699	CLEVIS, PUMP SPEED CONTROL	1	
22	20720	PLATFORM, OPERATOR W/A	1	
23	21262	ROD END, 5/16-24 MALE LH	2	
24	21389	LEVER W/A, PUMP CTRL LINKAGE	1	
25	21391	SPACER, 1.0 OD X .318 ID X .75L	1	
26	21392	MOUNT, PUMP CTRL LEVER PIVOT	1	
27	21394	ROD, PUMP CTRL HEX 8.0L	1	
28	21395	ROD, PUMP CTRL HEX 12.38L	1	
29	21583	SCREW, HHC 5/16-24 X 1-1/2 GRD 8	1	
30	21611	SCREW, THP 1/4-20 X 5/8 SS	5	
31	21614	ROD END, 5/16-24 MALE RH HD	1	
32	560020	LATCH, LIFT AND TURN	1	
33	933213	WASHER, FWSH 1 OD X 5/16	2	

STX-SERIES RIDE-ON TROWEL — COOLER/VALVE BYPASS ASSY.

COOLER/VALVE BYPASS ASSY.



NOTES:

- 1 SEE HOSE KIT ASSY. FIGURE. APPLIES TO ALL HYDRAULIC HOSES.
- 2 FAN GUARD CANNOT BE PURCHASED SEPARTELY. SEE ITEM 34.

HYDRAULIC PUMP PORTS SIDE-VIEW

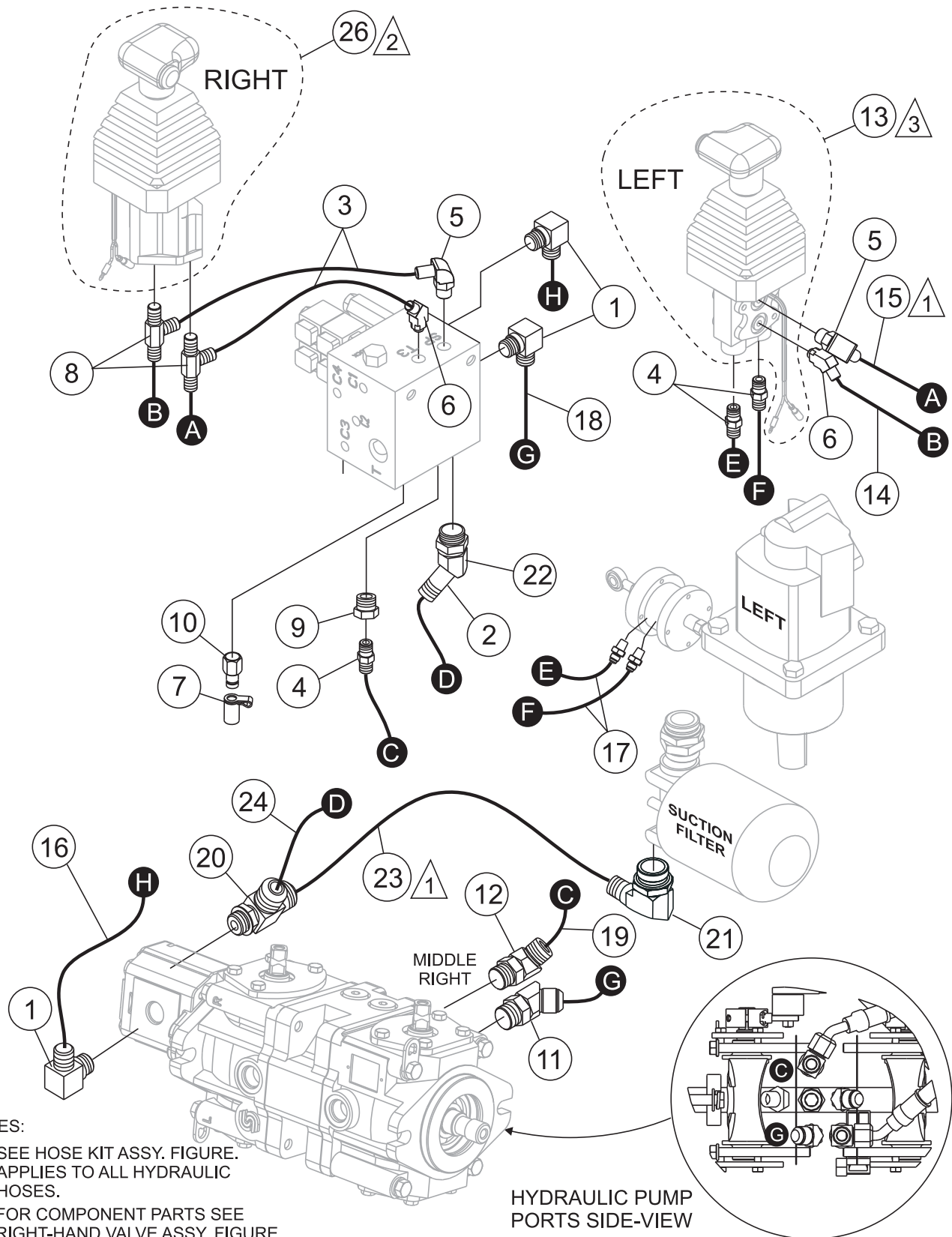
STX-SERIES RIDE-ON TROWEL — COOLER/VALVE BYPASS ASSY.

COOLER/VALVE BYPASS ASSY.

<u>NO.</u>	<u>PART NO.</u>	<u>PART NAME</u>	<u>QTY.</u>	<u>REMARKS</u>
1	2691	SCREW, HHC 1/2-13 X 1	4	
2	3365	FITTING, STR 10MJ-10MO	2	
3	10176	NUT, NYLOC 1/2-13	4	
4	12147	FITTING, QC DIAGN PARKER PD-361	2	
5	12148	CAP, DUST DIAG PARKER PD6-285	2	
6*#	12171	SEAL, WPACK 16-18	2	
7*#	12176	CONNECTOR, WPACK 2PIN SHROUD	1	
8*#	12179	TERMINAL, WPACK MALE 14-16GA	2	
9	12331	FITTING, STR 10MO-6FO	2	
10	16336	FITTING, 45 10MJ-10MO	2	
11	16580	FITTING, 45 10MO-8MJ	1	
12	21055	FITTING, 90 16MO-16MO	1	
13	21056	VALVE, HYD BYPASS SEAT SWITCH\$	1	
14	21057	MOTOR, HYD, CHAR-LYNN 113-1133-DD6	2	INCLUDES ITEMS W/\$
15	21058	COOLER, STHA OIL THTRANS MF-30-2-4A	1	INCLUDES ITEMS W/*
16	21060	FITTING, STR 16FO-24-MO	1	
17	21093	FITTING, TEE 10MJ-10MJ-10MO RUN	2	
18	21096	FITTING, STR 10MJ-12MO	4	
19	21100	HOSE ASSY., 1/2 ID X 19 45 ONE END	2	
20	21102	HOSE ASSY., 5/8 ID X 20 45 ENDS	1	
21	21103	HOSE ASSY., 5/8 ID X 15.0 90 END R17	1	
22	21104	HOSE ASSY., 5/8 ID X 54.5 45 ONE END	1	
23	21287	PUMP ASSY, TANDEM SAUER M25	1	
24	21296	HOSE ASSY., 3/4 IDX 15.25 90 END R4	1	
25	21335	FITTING, STR 12MJ-24MO	1	
26	21348	FITTING, PLUG 10MO HEX	1	
27	21356	HOSE ASSY., 5/8 ID X 74 STR ENDS	1	
28	21585	FITTING, STR 10MO-6FO	1	
29\$	21770	KEY, STX EATON MOTOR	2	
30	26010	FITTING, 90 10MO-8MJ	1	
31%	61237000	SEAL KIT, SHAFTSIDE	1	
32%	61238000	SEAL KIT, REAR	1	
33*#	67991	FAN	1	
34*	68224	FAN AND MOTOR ASSEMBLY	1	INCLUDES ITEMS W/#
35	4510016	REPAIR/SEAL KIT, SAUER M25	1	
36	61253000	COMPLETE SEAL KIT	2	INCLUDES ITEMS W/%
37\$	201837028	SHAFT HYDRAULIC MOTOR	2	

STX-SERIES RIDE-ON TROWEL — HYDRAULIC ASSY.

HYDRAULIC ASSY.



NOTES:

- ① SEE HOSE KIT ASSY. FIGURE. APPLIES TO ALL HYDRAULIC HOSES.
- ② FOR COMPONENT PARTS SEE RIGHT-HAND VALVE ASSY. FIGURE.
- ③ FOR COMPONENT PARTS SEE LEFT-HAND VALVE ASSY. FIGURE.

HYDRAULIC PUMP PORTS SIDE-VIEW

STX-SERIES RIDE-ON TROWEL — HYDRAULIC ASSY.

HYDRAULIC ASSY.

<u>NO.</u>	<u>PART NO.</u>	<u>PART NAME</u>	<u>QTY.</u>	<u>REMARKS</u>
1	3322	FITTING,90 10MJ-10MO	3	
3	11698	HOSE ASSY., .38 IDX 15.5 STR ENDS	2	
4	11721	FITTING, STR 6MJ-6MO	3	
5	11722	FITTING, 90 6MJ-6MO	2	
6	11780	FITTING, 45 6MJ-6MO	2	
7	12148	CAP, DUST DIAG PARKER PD6-285	1	
8	12159	FITTING,TEE 6MJ-6MO-6MJ	2	
9	12331	FITTING, STR 10MO-6FO	1	
10	12546	FITTING, QD 4MO DIAGN PARKER PD341	1	
11	16336	FITTING, 45 10MJ-10MO	1	
12	16580	FITTING, 45 10MO-8MJ	1	
13	20831	VALVE ASSY., LH STEERING W/SWITCH	1	
14	21061	TUBELINE, HYD STRG PRESSURE	1	
15	21062	TUBELINE, HYD STRG RETURN	1	
16	21076	HOSE ASSY., .5 ID X 29.5 STR ENDS	1	
17	21110	HOSE ASSY., .38 ID X 45.5 STR ENDS	2	
18	21334	HOSE ASSY., .5 ID X 26.5 STR ENDS	1	
19	21336	HOSE ASSY., .38 ID X 22 STR ENDS	1	
20	21595	FITTING, TEE 16MJ-12MO-16MJ	1	
21	21814	FITTING, 90 16MJ-20MO	1	
22	21815	FITTING, 12MJ-12MO	1	
23	21816	HOSE ASSY., 1.0 ID X 29L 45 ONE END	1	
24	21817	HOSE ASSY., .75 ID X 22.0 STR ENDS	1	
26	20830	VALVE ASSY. RH STEERING W/O SWITCH	1	

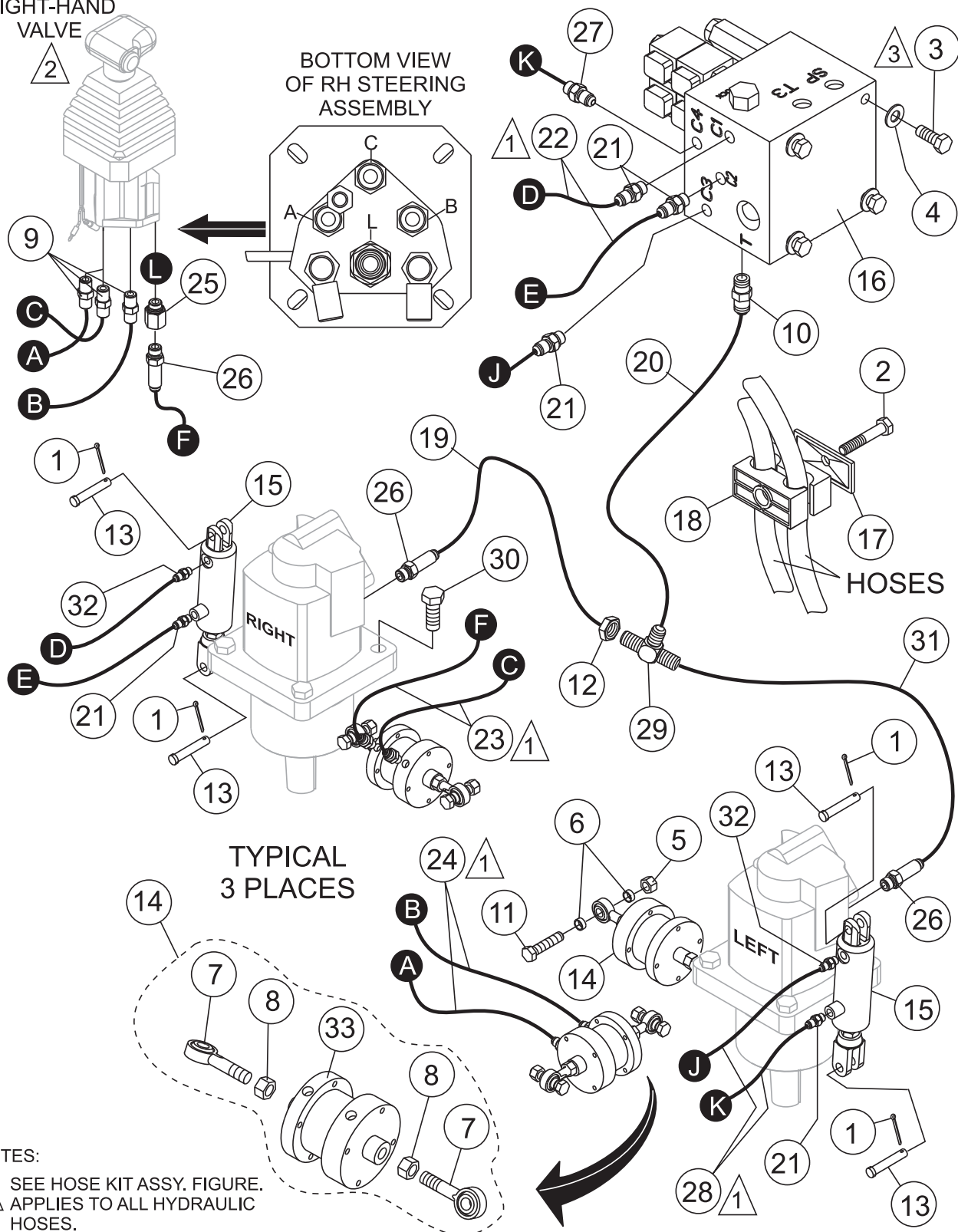
STX-SERIES RIDE-ON TROWEL — HYDRAULIC ASSY. (CONT.)

HYDRAULIC ASSY.

RIGHT-HAND VALVE

2

BOTTOM VIEW OF RH STEERING ASSEMBLY



NOTES:

- 1 SEE HOSE KIT ASSY. FIGURE. APPLIES TO ALL HYDRAULIC HOSES.
- 2 FOR COMPONENT PARTS SEE RIGHT-HAND VALVE ASSY. FIGURE.
- 3 APPLY LOCTITE P/N 60091 4 PLACES.

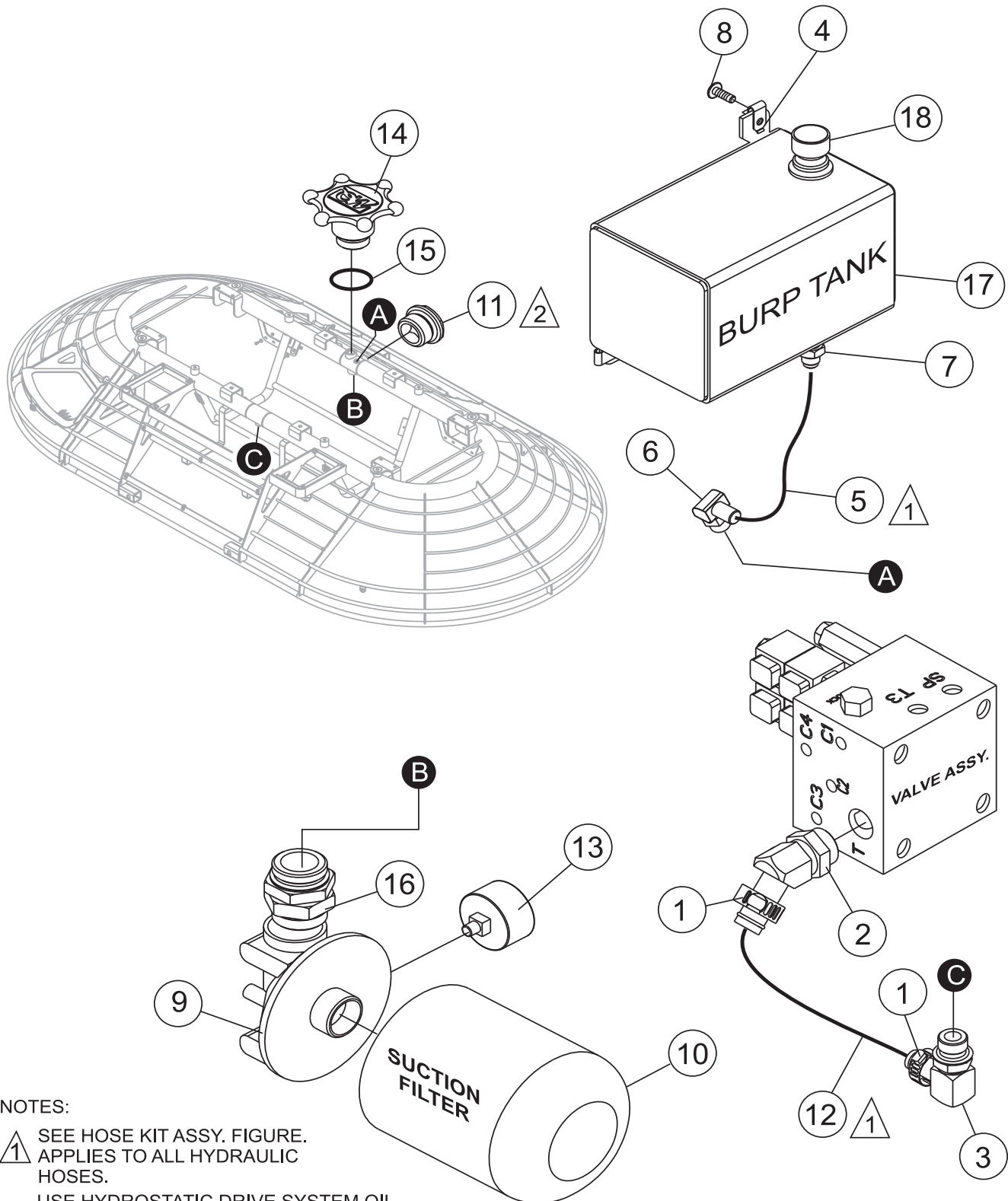
STX-SERIES RIDE-ONTROWEL — HYDRAULIC ASSY. (CONT.)

HYDRAULIC ASSY.

<u>NO.</u>	<u>PART NO.</u>	<u>PART NAME</u>	<u>QTY.</u>	<u>REMARKS</u>
1	0183	PIN, COTTER	4	
2	1207	SCREW, HHC 5/16-18 X 1-3/4	5	
3	4196	SCREW, HHC 3/8-16 X 3/4	4	
4	10136	WASHER, FLAT 3/8 SAE	4	
5	10176	NUT, NYLOC 1/2-13	6	
6	11141	SPACER, ROD END	12	
7*	11142	ROD END, 1/2-20 MALE RH	6	
8*	11146	NUT, HEX JAM 1/2-20	6	
9	11721	FITTING, STR 6MJ-6MO	3	
10	11749	FITTING, STR 8MJ-8MO	1	
11	13178	SCREW, HHC 1/2-13 X 2-1/4	6	
12	16334	NUT, HEX 9/16-18	1	
13	19974	PIN, CLEVIS 1/2 X 1.25 EFFECT	4	
14	20140	CYLINDER, STEERING W/ ROD END	3	INCLUDES ITEMS W/*
15	20652	CYLINDER, HYD PITCH 1.5 BORE	2	
16	20780	VALVE ASSY., HYD PITCH	1	
17	20912	COVER, 0.75 CLAMP STAUFF GD-3D	5	
18	20913	CLAMP, 0.75 OD TUBE STAUFF 3190/190 DPP	5	
19	21082	HOSE ASSY., .38 ID X 18 STR ENDS	1	
20	21094	HOSE ASSY., 1/2 ID X 22 STR ENDS	1	
21	21095	FITTING, STR 4MJ-4MO	5	
22	21097	HOSE ASSY., 1/4 ID X 50 STR ENDS	2	
23	21110	HOSE ASSY., .38 ID X 45.5 STR ENDS	2	
24	21111	HOSE ASSY., .38 ID X 38 STR ENDS	2	
25	21114	FITTING, STR 6FO-6MO	1	
26	21115	FITTING, STR 6MJ-6MO LONG	1	
27	21159	FITTING, 45 4MJ-4MO	1	
28	21343	HOSE ASSY., 1/4 ID X 100 STR ENDS	2	
29	21364	FITTING, TEE 6MJ BLKHD RUN	1	
30	21376	SCREW, HHC 5/8-11 X 1.50	8	
31	21083	HOSE ASSY., .38 ID X 54.5 45 ONE END	1	
32	35149	FITTING, ORIFICE 4MJ-4MOX0.02	2	
33*	12056	CYLINDER HYDRAULIC STEERING	3	

STX-SERIES RIDE-ONTROWEL — BURP TANK/SUCTION FILTER ASSY.

BURP TANK/SUCTION FILTER ASSY.



NOTES:

1 SEE HOSE KIT ASSY. FIGURE.
APPLIES TO ALL HYDRAULIC
HOSES.

2 USE HYDROSTATIC DRIVE SYSTEM OIL.
CHEVRON AW/MV ISO 68. OIL CAPACITY
IS 7.0 GALLONS (26.5 LITERS) LESS FILTER
CHANGE. WITH FILTER CHANGE CHECK
SIGHT GLASS, ADD .5 GALLONS (1.89 LITERS).
PURCHASE LOCALLY.

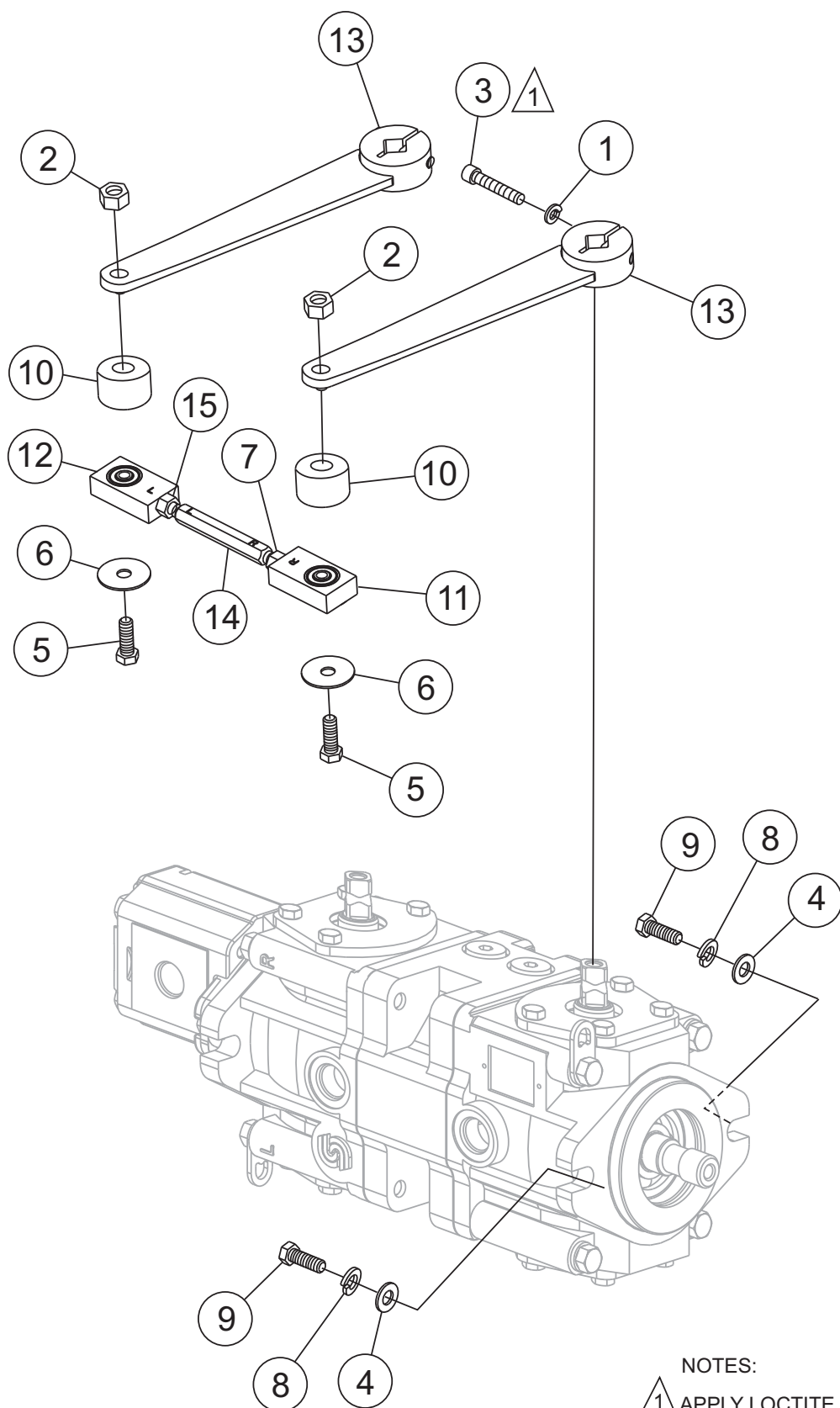
STX-SERIES RIDE-ON TROWEL — BURP TANK/SUCTION FILTER.

BURP TANK SUCTION FILTER ASSY.

<u>NO.</u>	<u>PART NO.</u>	<u>PART NAME</u>	<u>QTY.</u>	<u>REMARKS</u>
1	3333	CLAMP, 1-1/4 HOSE	2	
2	3366	FITTING, 45 12BARB-12MO	1	
3	3461	FITTING, 90 12BARB-12MO	1	
4	11534	NUT U TYPE 1/4-20	2	
5	11696	HOSE ASSY., .38 ID X35.5 STR ENDS	1	
6	11722	FITTING, 90 6MJ-6MO	1	
7	11725	FITTING, STR 6MJ-1/4MP	1	
8	12287	SCREW, THP 1/4-20 X 3/4 SS	2	
9	21106	HOUSING, FLTR SUC ZINGA SF-100	1	
10	21107	FILTER, SUCTION 5" 10 MICRON SYNTH LHA	1	
11	21109	SIGHT GLASS, DASH 12 ORB PLASTIC	1	
12	21081	HOSE, 3/4 ID X 54.4 MEGAVAC	1	
13	21193	GUAGE, FILTER COND ZINGA GV-10	1	
14	21400	PLUG, HYD TANK HAND WHEEL	1	
15	21406	O-RING, HYD DASH16 BUNA90	1	
16	21407	FITTING, STR 20MO-20MO ADJ	1	
17	21510	TANK W/A, HYD BURP	1	
18	21513	BREATHER, FILTER 10 MICRON 1/4MP PLASTIC	1	

STX-SERIES RIDE-ONTROWEL — PUMP LEVERS ASSY.

PUMP LEVERS ASSY.



NOTES:

- △ 1 APPLY LOCTITE P/N 60091
2 PLACES.

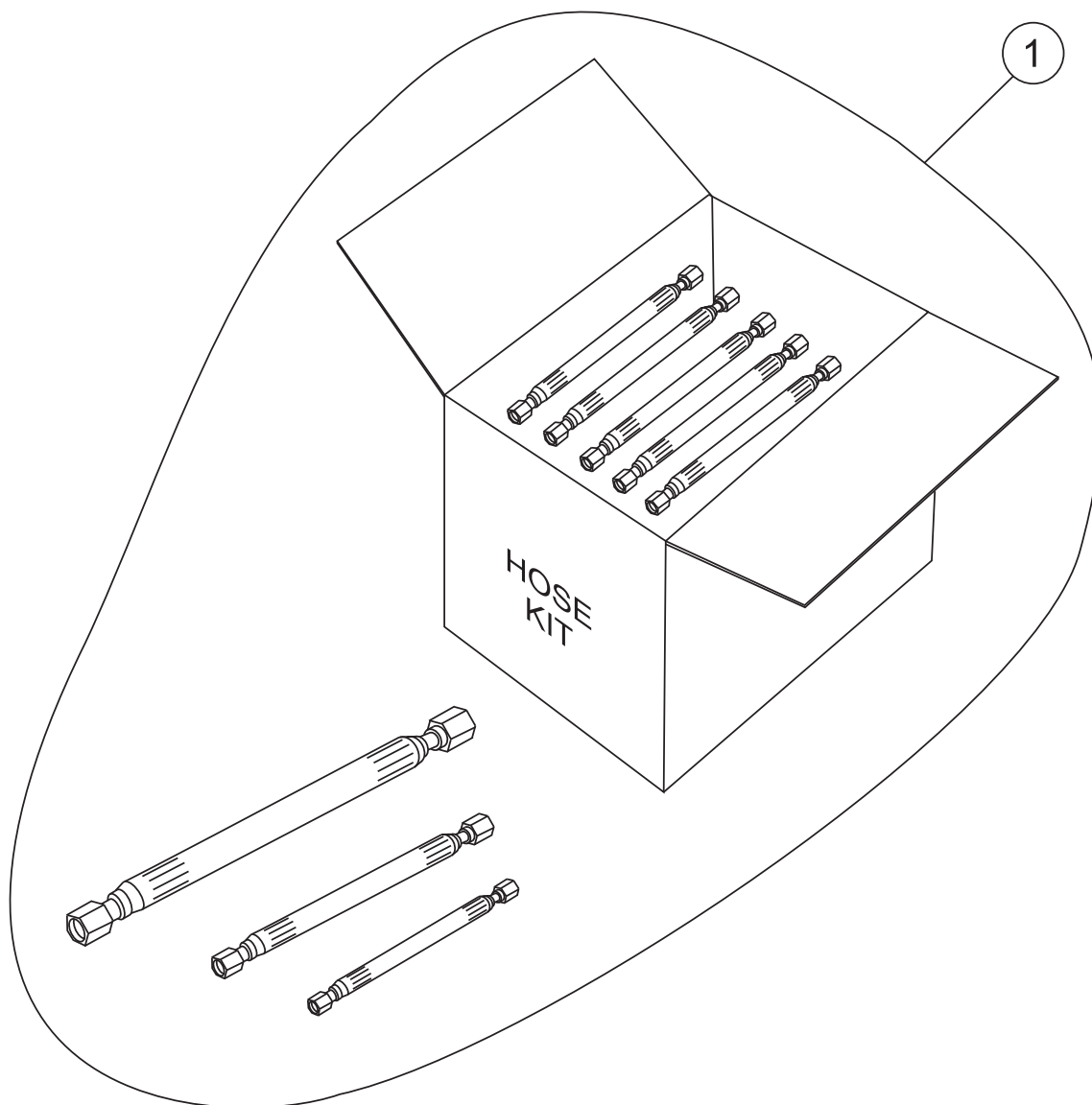
STX-SERIES RIDE-ONTROWEL — PUMP LEVERS ASSY.

PUMP LEVERS ASSY.

<u>NO.</u>	<u>PART NO.</u>	<u>PART NAME</u>	<u>QTY.</u>	<u>REMARKS</u>
1	0161 C	WASHER, LOCK, 5/16 MED	2	
2	0161 D	NUT, HEX FINISH 5/16-18	2	
3	0243	SCREW, SHC 5/16-18 X 1-3/4	2	
4	0447	WASHER, FLAT 1/2 SAE	2	
5	1207	SCREW, HHC 5/16-18 X 1-3/4	2	
6	3233	WASHER, FENDER 1.5 OD X 3/8 ID	2	
7	5023 B	NUT, HEX FINISH 3/8-24 PLAIN	1	
8	5054 A	WASHER, LOCK, 1/2 MED	2	
9	5218	SCREW, HHC 1/2-13 X 1-1/2	2	
10	21231	ISOLATOR, PLATE / STUD 5/16	2	
11	21266	BEARING BLOCK ASSY., PUMP CTRL RH	1	
12	21267	BEARING BLOCK ASSY., PUMP CTRL LH	1	
13	21290	LEVER W/A, PUMP CONTROL M25	2	
14	21301	ROD, PUMP ACTUATOR M25	1	
15	21342	NUT, HEX FINISH 3/8-24 LH	1	

STX-SERIES RIDE-ONTROWEL — HOSE KIT ASSY.

HOSE KIT ASSY.



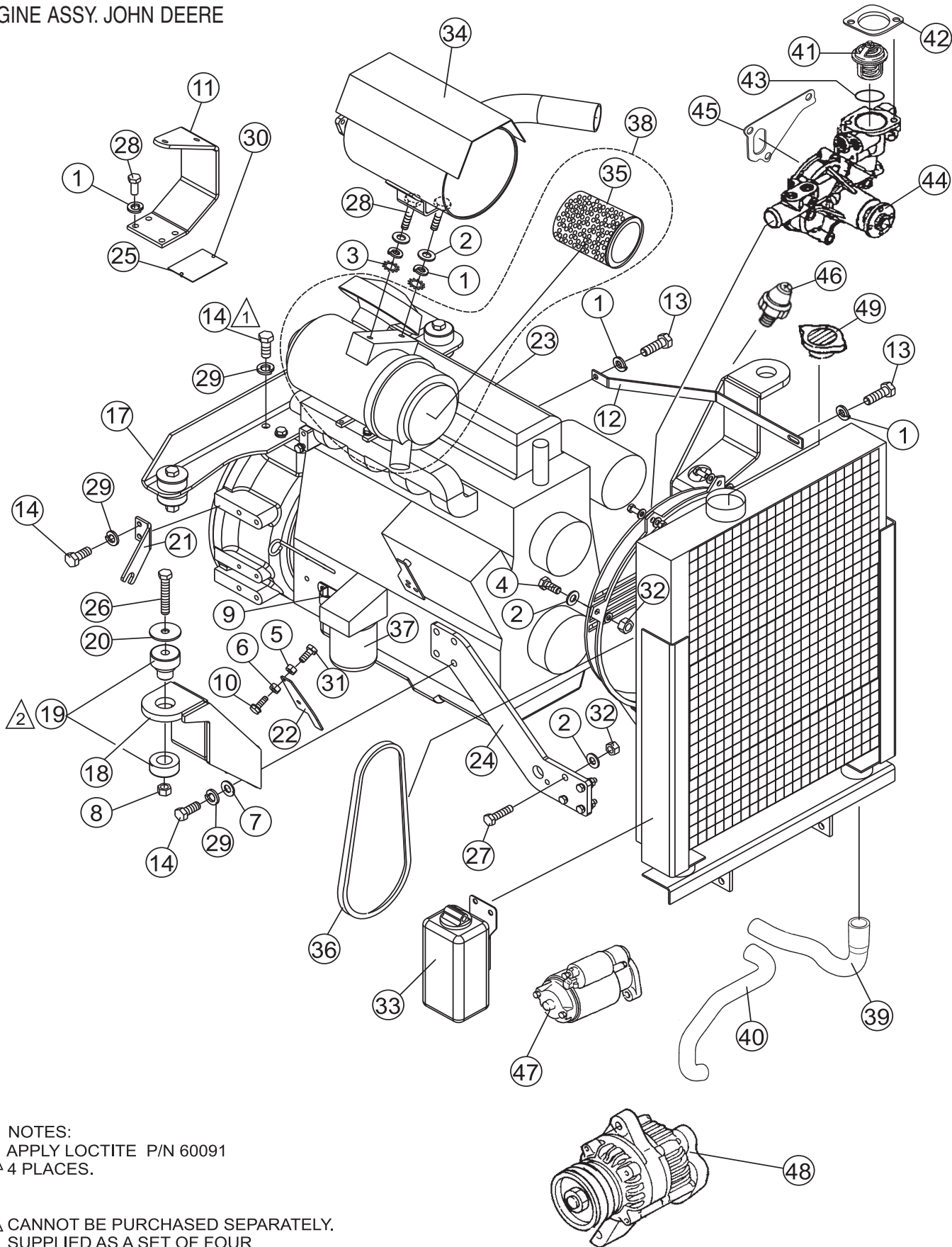
STX-SERIES RIDE-ONTROWEL — HOSE KIT ASSY.

HOSE KIT ASSY.

<u>NO.</u>	<u>PART NO.</u>	<u>PART NAME</u>	<u>QTY.</u>	<u>REMARKS</u>
1	21216	KIT, HOSE STX	1	INCLUDES ITEMS BELOW
	11696	HOSE ASSY., .38 ID X 35.5 STR ENDS	1	
	21076	HOSE ASSY., 1/2 ID X 29.5 STR ENDS	1	
	21081	HOSE ASSY., 3/4 ID X 54.5 MEGAVAC	1	
	21082	HOSE ASSY., .38 ID X18 STR ENDS	1	
	21083	HOSE ASSY., .38 ID X 54.5 45° ONE END	1	
	21094	HOSE ASSY., 1/2 ID X 22 STR ENDS	1	
	21097	HOSE ASSY., 1/4 ID X 50 STR ENDS	2	
	21100	HOSE ASSY., 1/2 ID X 19 45 ONE END	2	
	21102	HOSE ASSY., 5/8 ID X 20 45 ENDS	1	
	21103	HOSE ASSY., 5/8 ID X 15.0 90 END R17	1	
	21104	HOSE ASSY., 5/8 ID X 54.5 45 ONE END	1	
	21110	HOSE ASSY., .38 ID X 45.5 STR ENDS	4	
	21111	HOSE ASSY., .38 ID X 38 STR ENDS	2	
	21296	HOSE ASSY., 3/4 IDX 15.25 90 END R4	1	
	21334	HOSE ASSY., 1/2 ID X 26.5 STR ENDS	1	
	21336	HOSE ASSY., 3/8 ID X 22 STR ENDS	1	
	21343	HOSE ASSY., 1/4 ID X 100 STR ENDS	2	
	21356	HOSE ASSY., 5/8 ID X 74 STR ENDS	1	
	21771	HOSE ASSY., .38 ID X 11.50 STR ENDS	1	
	21772	HOSE ASSY., .38 ID X 17.0 STR ENDS	1	
	21816	HOSE ASSY., 1.00 ID X 29 45 ONE END	1	
	21817	HOSE ASSY., .75 ID X 22.0 STR ENDS	1	

STX-SERIES RIDE ON TROWEL — ENGINE ASSY. JOHN DEERE

ENGINE ASSY. JOHN DEERE



NOTES:

1 APPLY LOCTITE P/N 60091
4 PLACES.

2 CANNOT BE PURCHASED SEPARATELY.
SUPPLIED AS A SET OF FOUR

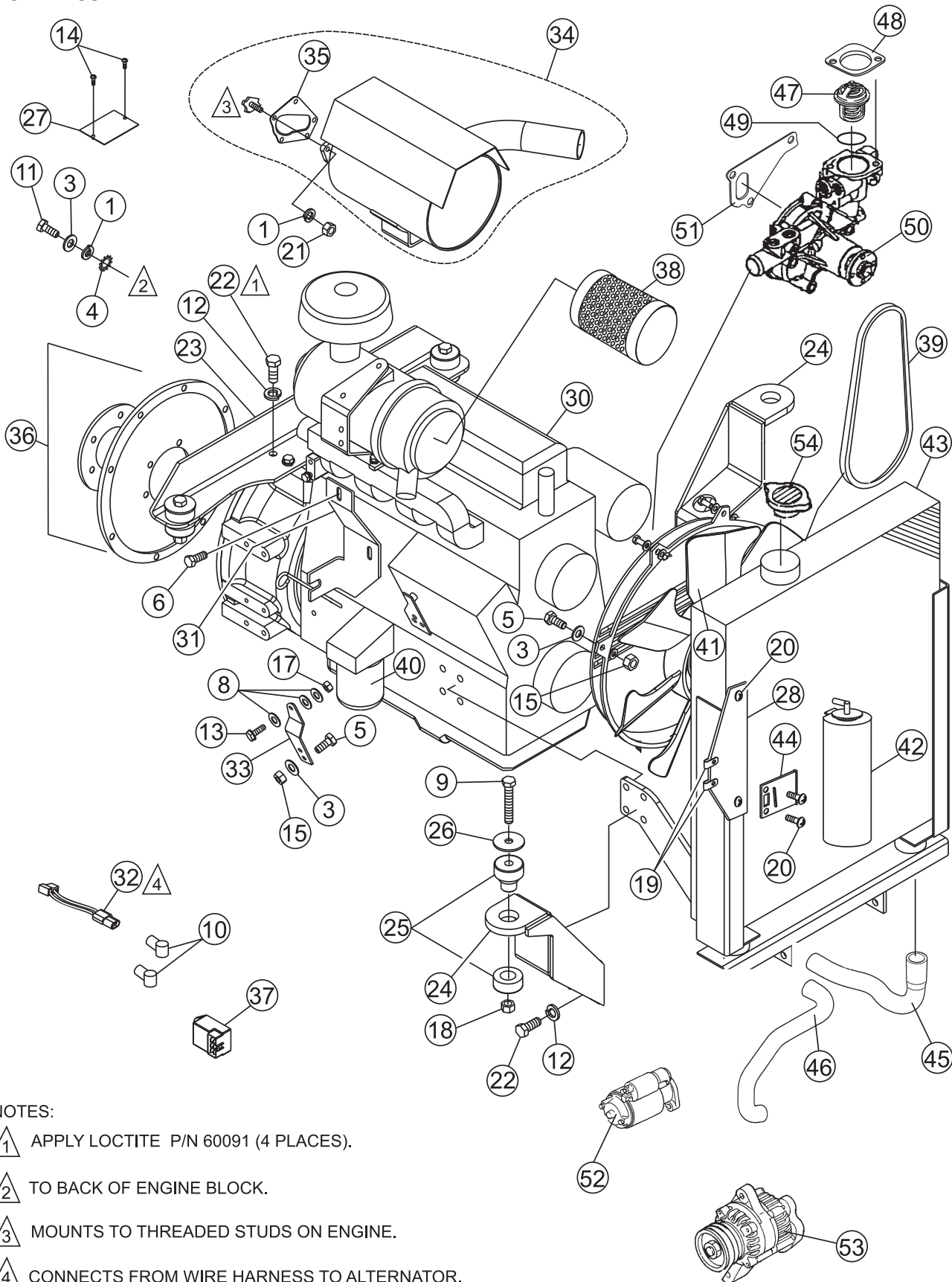
STX-SERIES RIDE ON TROWEL — ENGINE ASSY. JOHN DEERE

ENGINE ASSY. JOHN DEERE

<u>NO.</u>	<u>PART NO.</u>	<u>PART NAME</u>	<u>QTY.</u>	<u>REMARKS</u>
1	0161 C	WASHER, LOCK, 5/16 MED	9	
2	0300 B	WASHER, FLAT 5/16 SAE	21	
3	0479	WASHER, EXT SHKP 3/8 PLTD	1	
4	0655	SCREW, HHC 5/16-18 X 3/4	6	
5	10019	NUT, NYLOC 10-32	1	
6	10024	NUT, NYLOC 1/4-20	1	
7	10136	WASHER, FLAT 3/8 SAE	8	
8	10176	NUT, NYLOC 1/2-13	4	
9	11505	CLAMP, HOSE SUPPORT 1/2 INCH LG	1	
10	11644	SCREW, HHC, WASHER 10-32 X 5/8	1	
11	12041	BRACKET, AIR CLEANER	1	
12	12071	BRACKET, RADIATOR LARGE	1	
13	1605	SCREW, HHC M8-1.25 X 25MM	2	
14	16056	SCREW, HHC M10-1.5 X 25MM	12	
17	20724	MOUNT/W, RH STH ENGINE	1	
18	20726	MOUNT, ENGINE W/A LH JD ENG	2	
19	20742	ISOLATOR, RB2 RING & BUSHING	4 SOLD AS A SET (4)
20	20743	WASHER, ISOLATOR SNUBBING	4	
21	21048	BRACKET THROTTLE CABLE	1	
22	21363	LEVER, ENGINE SPEED	1	
23	21508	ENGINE ASSY., JD4020TF-005 55HP	1	
24	21559	ARM, RADIATOR EXT.	2	
25		PLATE, SERIAL RIDERS	1 CONTACT MQ PARTS DEPT.
26	2549	SCREW, HHC 1/2-13 X 3	4	
27	2623	SCREW, HHC 5/16-18 X 1-1/4	8	
28	2866	SCREW, HHC M8-1.25 X 20MM	7	
29	2955	WASHER, LOCK, 7/16 MED	12	
30	4014	SCREW, #2-3/16 U-DRIVE	2	
31	4514	SCREW, HHC 1/4-20 X 5/8	1	
32	5283	NUT, NYLOC 5/16-18	14	
33	12125244510	RESERVOIR BOTTLE	1	
34	12617	MUFFLER AND GASKET	1	
35	JDRG60690	ELEMENT, AIR FILTER	1	
36	M801821	V-BELT, ENGINE	1	
37	JDM806419	FILTER, OIL	1	
38	RG60688	AIR CLEANER ASSY.	1	
39	RG60701	HOSE UPPER, RADIATOR	1	
40	RG60348	HOSE LOWER, RADIATOR	1	
41	M811034	THERMOSTAT	1	
42	M805834	THERMOSTAT GASKET	1	
43	M805835	THERMOSTAT GASKET	1	
44	AMN880536	WATER PUMP	1	
45	M801265	WATER PUMP GASKET	1	
46	M809526	OIL SWITCH	1	
47	RG60654	STARTER	1	
48	AM878581	ALTERNATOR	1	
49	T110797	RADIATOR CAP	1	

STX-SERIES RIDE ON TROWEL — ENGINE ASSY. YANMAR

ENGINE ASSY. YANMAR



NOTES:

- ▲ 1 APPLY LOCTITE P/N 60091 (4 PLACES).
- ▲ 2 TO BACK OF ENGINE BLOCK.
- ▲ 3 MOUNTS TO THREADED STUDS ON ENGINE.
- ▲ 4 CONNECTS FROM WIRE HARNESS TO ALTERNATOR.

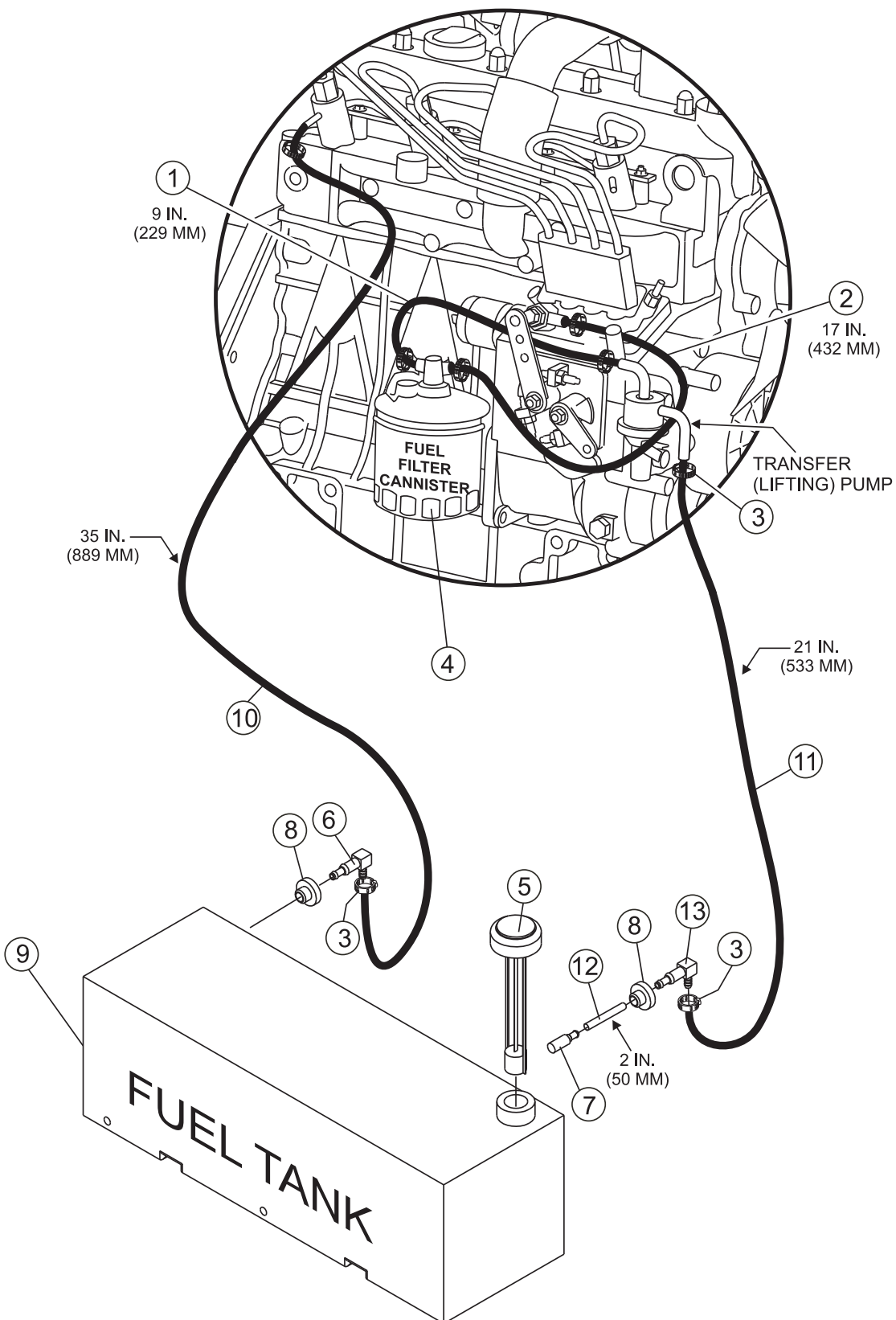
STX-SERIES RIDE ON TROWEL — ENGINE ASSY. YANMAR

ENGINE ASSY. YANMAR

<u>NO.</u>	<u>PART NO.</u>	<u>PART NAME</u>	<u>QTY.</u>	<u>REMARKS</u>
1	0161 C	WASHER, LOCK, 5/16 MED	1	
2	0202	SCREW, HHC 5/16-18 X 1	1	
3	0300 B	WASHER, FLAT 5/16 SAE	6	
4	0479	WASHER, EXT SHKP 3/8 PLTD	1	
5	0655	SCREW, HHC 5/16-18 X 3/4	2	
6	1605	SCREW, M8 - 1.25 X 25 MM	1	
7	1662	TIE, CABLE TY-RAP	51	
8	2203	WASHER, FLAT #10 SAE	3	
9	2549	SCREW, HHC 1/2-13 X 3	4	
10	2762	BOOT TERMINAL	2	
11	2866	SCREW, HHC M8-1.25 X 20MM	1	
12	2955	WASHER, LOCK, 7/16 ZINC	4	
13	3513	SCREW, HHC 10 - 32 X 1	1	
14	4014	SCREW, #2-3/16 U-DRIVE	2	
15	5283	NUT, NYLOC 5/16-18	2	
16	8128	CLAMP, HOSE SUPPORT 5/16	1	
17	10019	NUT, NYLOC 10-32	1	
18	10176	NUT, NYLOC 1/2-13	4	
19	11534	NUT, U-TYPE 1/4 - 20	2	
20	12287	SCREW, THP 1/4-20 X 3/4 SS	4	
21	16055	NUT, HEX M8 - 1.25	5	
22	16056	SCREW, HHC M10 -1.5 X 25MM	4	
23	20724	MOUNT, ENGINE BACK	1	
24	20726	MOUNT, ENGINE	2	
25	20742	ISOLATOR, RB2 RING & BUSHING	4	
26	20743	WASHER, ISOLATOR SNUBBING	4	
27		PLATE, SERIAL RIDERS	1 CONTACT MQ PARTS DEPT.
28	21736	BRACKET, RADIATOR /BOTTLE	1	
29	21638	HARNESS, ENGINE WIRE	1	
30	21639	ENGINE, YAN 55H 4TNV84T-DSA	1	
31	21744	BRACKET, THROTTLE	1	
32	21745	ADAPTOR ASSY.,	1	
33	21649	LEVER, THROTTLE	1	
34*	21754	MUFFLER ASSY.	1 INCLUDES ITEMS W/*
35*	21755	GASKET, MUFFLER	1	
36	21921	COUPLER ASSY., HAYES	1	
37	29344	TIMER, GLOW PLUG	1	
38	P822768	CARTRIDGE, AIR CLEANER DONALDSON	1	
39	11986542290	FAN BELT, V-BELT	1	
40	12915035152	FILTER, OIL	1	
41	12961244700	FAN, PUSH YANMAR	1	
42	12125244510	OVERFLOW BOTTLE	1	
43	79000448SRF	RADIATOR PACKAGE	1	
44	12125644600	BRACKET, WATER BOTTLE	1	
45	68900143SRF	HOSE UPPER, RADIATOR	1	
46	68900305SRF	HOSE LOWER, RADIATOR	1	
47	12915549601	THERMOSTAT	1	
48	12979549551	THERMOSTAT GASKET	1	
49	12915049811	THERMOSTAT GASKET	1	
50	12950842001	WATER PUMP	1	
51	12948842021	WATER PUMP GASKET	1	
52	12940077012	STARTER	1	
53	12942377200	ALTERNATOR	1	
54	TBD	RADIATOR CAP	1	

STX-SERIES RIDE ON TROWEL — FUEL SYSTEM ASSY. (JOHN DEERE)

FUEL TANK ASSY. (JOHN DEERE)



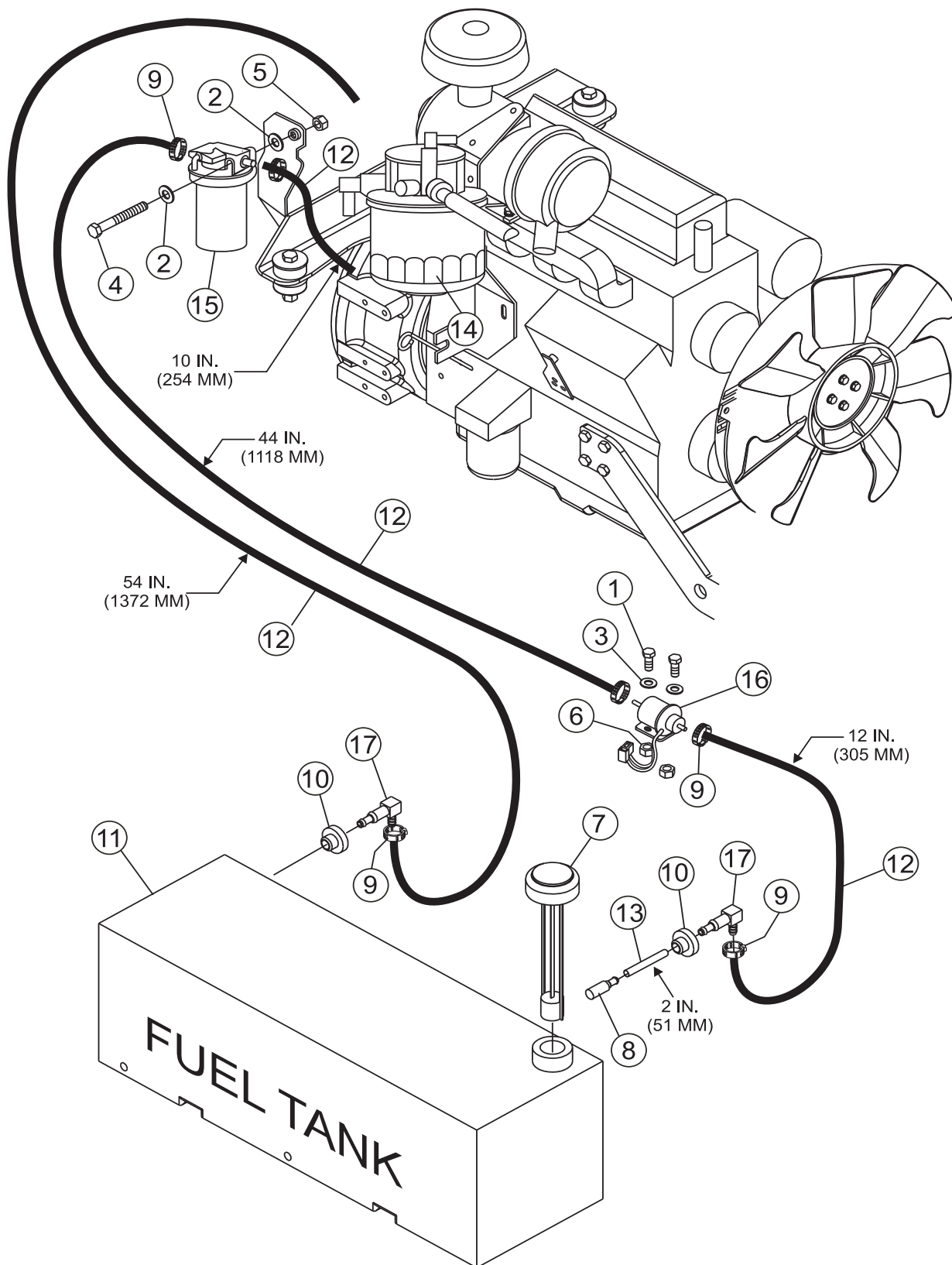
STX-SERIES RIDE ON TROWEL — FUEL SYSTEM ASSY. (JOHN DEERE)

FUEL TANK ASSY. (JOHN DEERE)

<u>NO.</u>	<u>PART NO.</u>	<u>PART NAME</u>	<u>QTY.</u>	<u>REMARKS</u>
1	60013	HOSE, 0.25 ID RUBBER FUEL 9 IN. (229 MM)	1	1 PIECE =1FT (305 MM)
2	60013	HOSE, 0.25 ID RUBBER FUEL 17 IN. (432 MM)	2	1 PIECE =1FT (305 MM)
3	19473	CLAMP, WORM HOSE #4	4	
4	JDT111383	FILTER, FUEL	1	
5	11418	CAP, W/GAUGE "FUEL" (10.5")	1	
6	12006	FITTING, 90 03BARB-4BARB FUEL	1	
7	12010	SCREEN,FUEL (DAPCO 11656)	1	
8	19633	BUSHING, RUBBER FUEL	5	
9	21576	TANK,12 GALLON FUEL PE	1	
10	60013	HOSE, 0.25 ID RUBBER FUEL 35 IN. (889 MM)	3	1 PIECE=1FT (305 MM)
11	60028	HOSE, .312 ID RUBBER FUEL 21 IN. (533 MM)	2	1 PIECE=1FT (305 MM)
12	60058	HOSE, 1/4 X 3/8 PVC FUEL YELLOW 2 IN. (50.8 MM) .	1	1 PIECE=1FT (305 MM)
13	W12023	FITTING, 90 05BARB-4BARB FUEL	1	

STX-SERIES RIDE ON TROWEL — FUEL SYSTEM ASSY. (YANMAR)

FUEL SYSTEM ASSY. (YANMAR)



STX-SERIES RIDE ON TROWEL — FUEL SYSTEM ASSY. (YANMAR)

FUEL SYSTEM ASSY. (YANMAR)

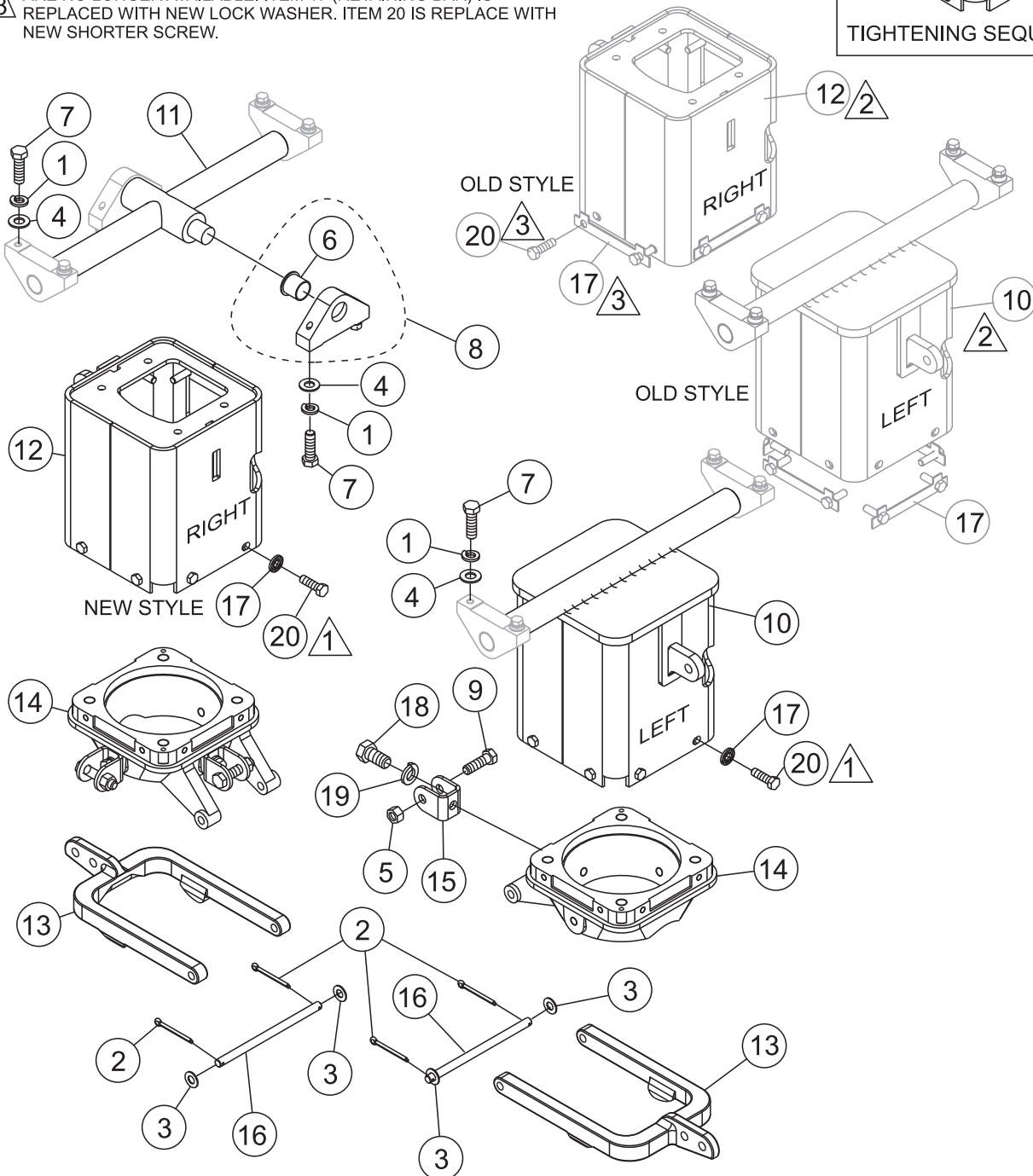
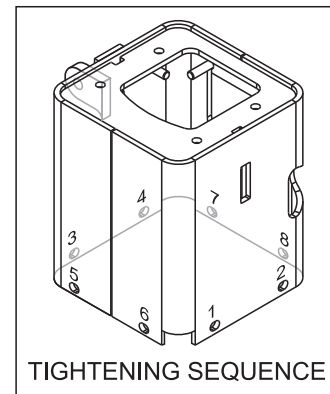
<u>NO.</u>	<u>PART NO.</u>	<u>PART NAME</u>	<u>QTY.</u>	<u>REMARKS</u>
1	0131 A	SCREW, HHC 1/4 - 20 X 3/4	2	
2	0300 B	WASHER, FLAT 5/16 SAE	2	
3	0948	WASHER, FLAT 1/4 SAE	2	
4	1404	SCREW, HHC 5/16 - 18 X 3-1/4	1	
5	5283	NUT, NYLOC 5/16 - 18	1	
6	10024	NUT, NYLOC 1/4 - 20	2	
7	11418	CAP, W/GAUGE "FUEL" (10.5")	1	
8	12010	SCREEN, FUEL (DAPCO 11656)	1	
9	19473	CLAMP, WORM HOSE #4	8	
10	19633	BUSHING, RUBBER FUEL	5	
11	21576	TANK, 12 GALLON FUE	1	
12	60028	HOSE, .312 ID RUBBER FUEL 10 FT. (1440 MM)	2 SOLD BY FOOT
13	60058	HOSE, 1/4 X 3/8 PVC FUEL YELLOW 2 IN. (50.8 MM)	1 SOLD BY FOOT
14	11980255800	FILTER, FUEL	1	
15	11980255710	SEDIMENT BULB	1	
16	11922552102	PUMP, ELECTRIC FUEL	1	
17	W12023	FITTING, 90 05BARB-4BARB FUEL	2	

STX-SERIES RIDE-ON TROWEL — PIVOT ASSY.

PIVOT ASSY.

NOTES:

- 1 APPLY MINIMAL AMOUNT OF LPS ANTI-SIEZE GREASE TO THREADS OF SCREW (ITEM 20). HAND START SCREWS. FOLLOWING TIGHTENING SEQUENCE (SEE DIAGRAM AT RIGHT), TORQUE SCREW ASSEMBLY (FIRST PASS) TO A VALUE OF 21 LBS/FT. FOLLOW SAME SEQUENCE FOR FINAL TORQUE OF 41 LBS/FT.
- 2 OLD STYLE HOUSING UNITS S/N CJ2001038 AND BELOW, HAVE BEEN REPLACED WITH MODIFIED HOUSING USING SAME P/N.
- 3 WHEN ORDERING HOUSING (OLD STYLE) ITEMS 17 AND 20 ARE NO LONGER AVAILABLE. ITEM 17 (RETAINING BAR) IS REPLACED WITH NEW LOCK WASHER. ITEM 20 IS REPLACE WITH NEW SHORTER SCREW.



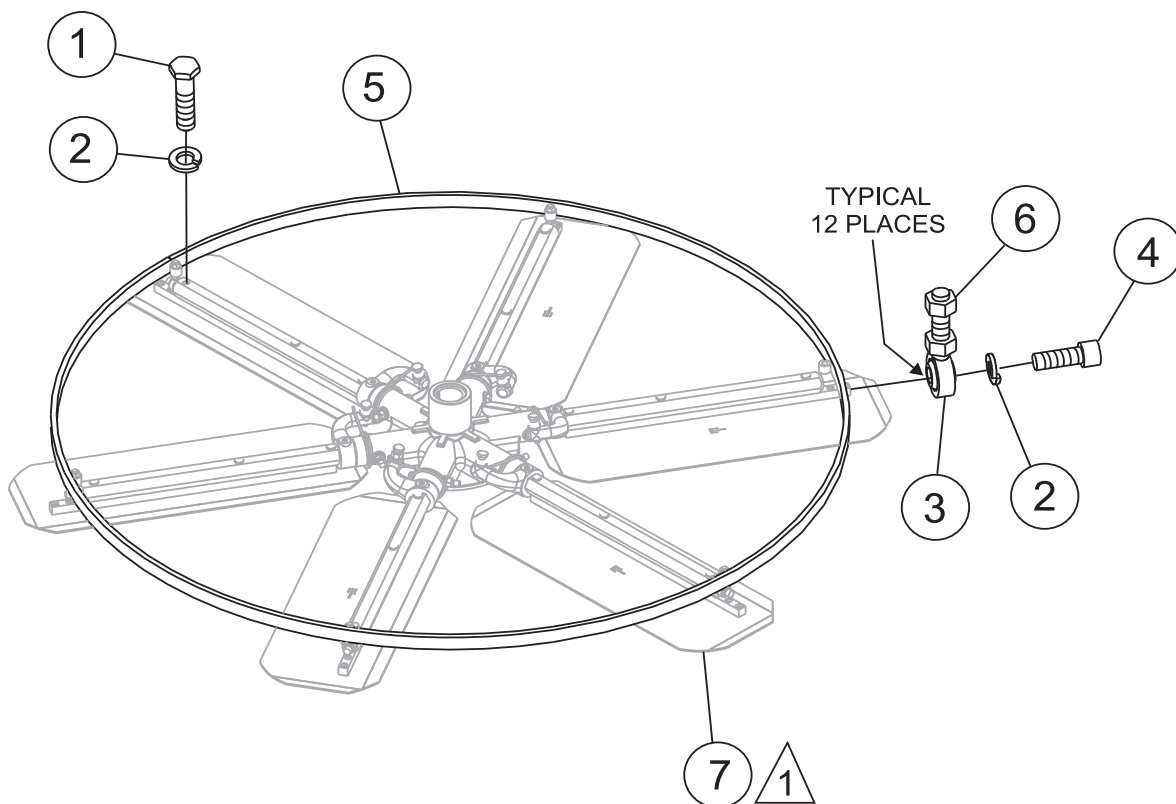
STX-SERIES RIDE-ON TROWEL — PIVOT ASSY.

PIVOT ASSY.

<u>NO.</u>	<u>PART NO.</u>	<u>PART NAME</u>	<u>QTY.</u>	<u>REMARKS</u>
1	0166 A	WASHER, LOCK, 3/8 MED	12	
2	0183	PIN, COTTER 1/8 1-1/4	4	
3	0448	WASHER, FLAT 7/16 SAE	4	
4	10136	WASHER, FLAT 3/8 SAE	8	
5	10176	NUT, NYLOC 1/2-13	6	
6#	10221	BUSHING, IGLIDE # TF-1618-16	6	
7	1023	SCREW, HHC 3/8-16 X 1-1/4	12	
8	11555	ROCKER BLOCK	6	INCLUDES ITEMS W/#
9	13178	SCREW, HHC 1/2-13 X 2-1/4	6	
10	20984	HOUSING, DRIVE MOTOR W/A, LH	1	S/NCJ2001039 AND ABOVE
11	20639	TRUNNION/W PITCH AND PIVOT	1	
12	20985	HOUSING, DRIVE MOTOR W/A, RH	1	
13	20641	YOKE, PITCH-MACHINED	2	
14	20643	HOUSING, LOWER MOTOR MACHINED	2	
15	20787	CLEVIS, STEERING CYLINDER	3	
16	21022	PIN, YOKE PIVOT	2	
17		RETAINER, HYD MOTOR MOUNT	8	NOT AVAILABLE
17	21707	WASHER, FLAT 3/8 NORDLOC	16	S/NCJ2001039 AND ABOVE
18	2691	SCREW, HHC 1/2-13 X 1	3	
19	5054 A	WASHER, LOCK, 1/2 MED	3	
20		SCREW, HHC 3/8-16 X 1-1/4 GRD8	16	NOT AVAILABLE
20	915105	SCREW, HHC 3/8-16 X 1.0 GRD8	16	S/NCJ2001039~JANUARY 28, 2008
20	22228	SCREW, HHF 3/8-16X1.0 GRD8	16	JANUARY 29, 2008 AND ABOVE

STX-SERIES RIDE-ON TROWEL — STABILIZER RING ASSY.

STABILIZER RING ASSY.



NOTES:

△₁ TO PURCHASE BLADES
CONTACT UNIT SALES DEPT.

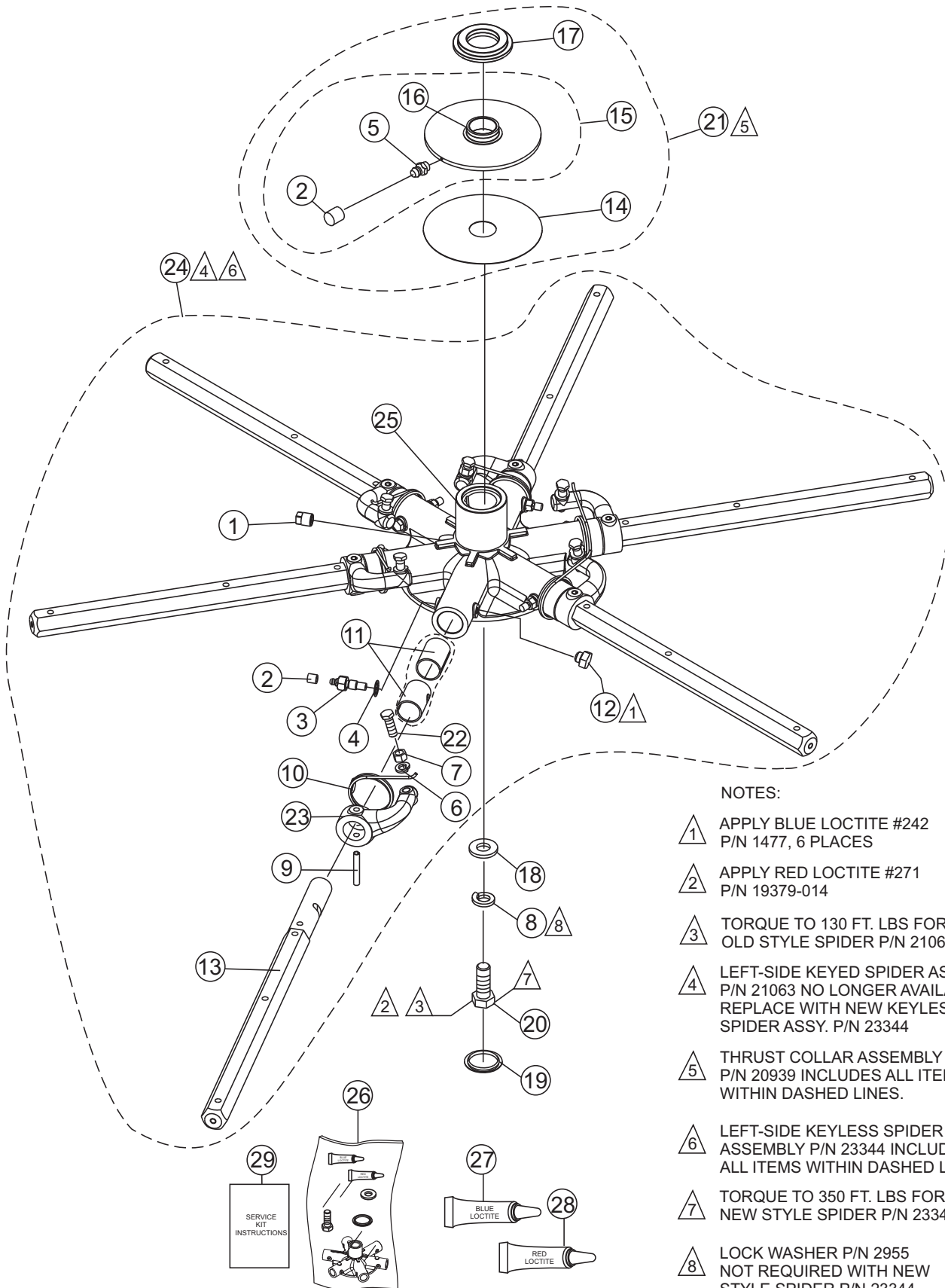
STX-SERIES RIDE-ONTROWEL — STABILIZER RING ASSY.

STABILIZER RING ASSY.

<u>NO.</u>	<u>PART NO.</u>	<u>PART NAME</u>	<u>QTY.</u>	<u>REMARKS</u>
1	0105	SCREW, HCS 5/16-18 X 1-1/2	36	
2	0161 C	WASHER, LOCK, 5/16 MED	48	
3	1723	ROD END, 5/16-24 MALE RH	12	
4	1237	SCREW, SHC 5/16-18 X 7/8 NYLOC	12	
5	12185	RING, STABILIZER W/A	2	
6	6014 C	NUT, HEX FINISH 5/16-24	24	
7		BLADE ASSY.	12CONTACT UNIT SALES

STX-SERIES RIDE ON TROWEL — 6-BLADE SPIDER ASSY. (LH)

6-BLADE SPIDER ASSY. (LH)



NOTES:

- ▲1 APPLY BLUE LOCTITE #242
P/N 1477, 6 PLACES
- ▲2 APPLY RED LOCTITE #271
P/N 19379-014
- ▲3 TORQUE TO 130 FT. LBS FOR
OLD STYLE SPIDER P/N 21063.
- ▲4 LEFT-SIDE KEYED SPIDER ASSEMBLY
P/N 21063 NO LONGER AVAILABLE,
REPLACE WITH NEW KEYLESS
SPIDER ASSY. P/N 23344
- ▲5 THRUST COLLAR ASSEMBLY
P/N 20939 INCLUDES ALL ITEMS
WITHIN DASHED LINES.
- ▲6 LEFT-SIDE KEYLESS SPIDER
ASSEMBLY P/N 23344 INCLUDES
ALL ITEMS WITHIN DASHED LINES.
- ▲7 TORQUE TO 350 FT. LBS FOR
NEW STYLE SPIDER P/N 23344.
- ▲8 LOCK WASHER P/N 2955
NOT REQUIRED WITH NEW
STYLE SPIDER P/N 23344.

STX-SERIES RIDE ON TROWEL — 6-BLADE SPIDER ASSY. (LH)

6-BLADE SPIDER ASSY. (LH)

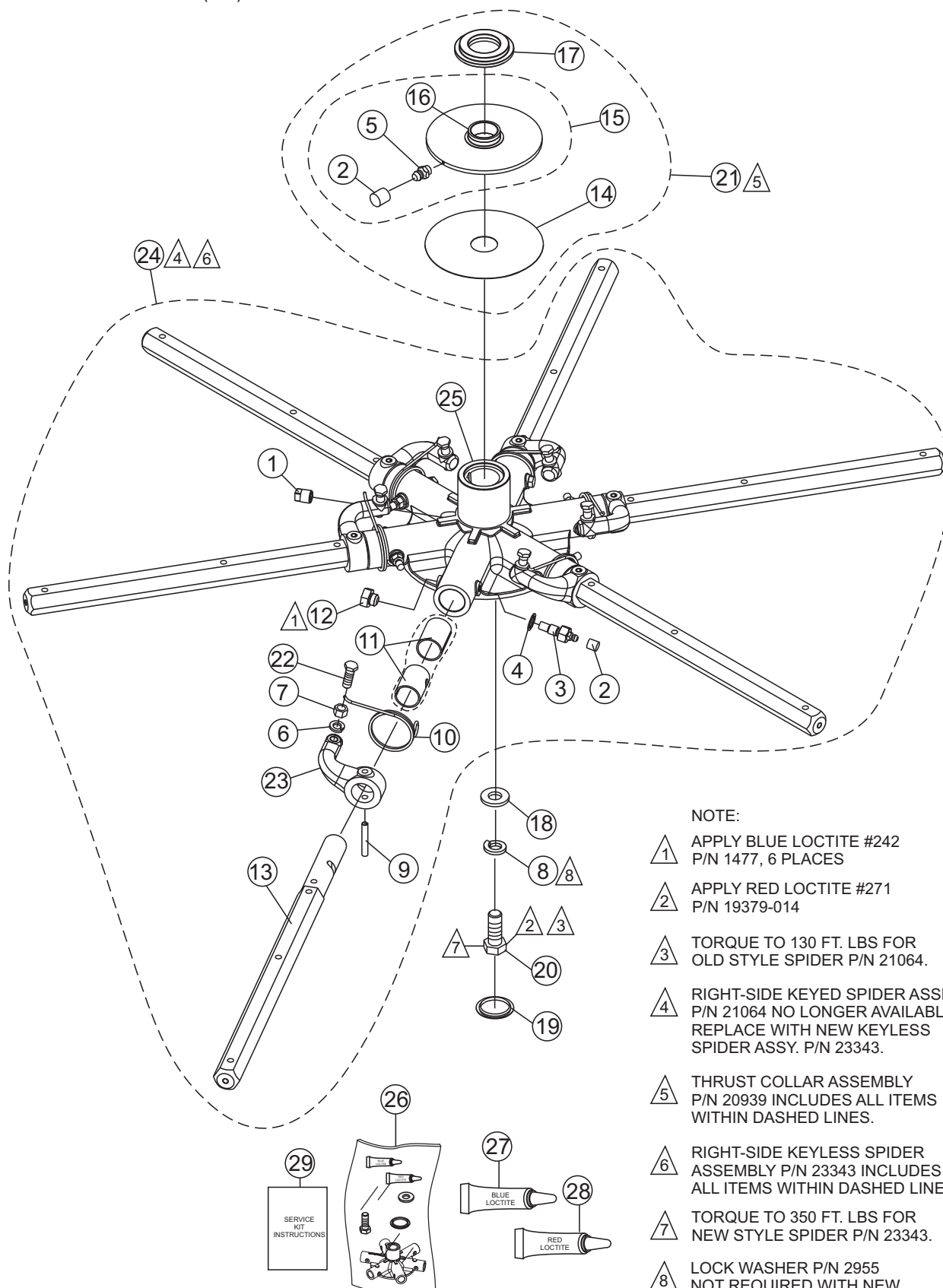
<u>NO.</u>	<u>PART NO.</u>	<u>PART NAME</u>	<u>QTY.</u>	<u>REMARKS</u>
1#	0121 A	FITTING, PLUG 3/8 MP SQ HEAD	1	
2*#	1162 A	CAP, GREASE ZERK #2	2	
3#	1322	SCREW, RETAINING	6	
4#	1875	WASHER, INT. SHKP. 3/8	6	
5*	2621	ZERK, GREASE STR 1/4-28	1	
6#	2955	WASHER, LOCK, 7/16 MED	6	
7#	07034-007	NUT, HEX JAM 7/16-14	6	
8	4388	WASHER, LOCK, 3/4 MED	1 OLD STYLE SPIDER ONLY
9#	9006	PIN, ROLL 5/16 X 2	6	
10#	9111	SPRING, LS ARM RETURN HD/HT, SMALL BOSS	6	
11#	11039	BUSHING, ARM 2 PIECE	12	
12#%	11602	SCREW, HHC 3/8-16 X 1/4	6	
13#	11991	ARM, TROWEL, 6 BLADE	6	
14*	12250	PLATE, WEAR	1	
15*	12315	THRUST COLLAR W/ BUSHING	1 INCLUDES ITEM W/\$
16*\$	12316	BUSHING, THRUST COLLAR	1	
17*	12779	BEARING, THRUST 6017 2RS W/FLANGE	1	
18	20073	RETAINER, SPIDER	1 OLD STYLE SPIDER ONLY
18%	933247	WASHER, FLAT SAE 3/4 GRD 9	1 NEW STYLE SPIDER ONLY
19	20121	PLUG, SPIDER SNAP IN	1	
20	20179	SCREW, HHC 3/4 -16 X 2, GR 8	1 SEE NOTE BELOW
20%	22465	SCREW, HHC 3/4 -16 X 2.5, GR 8	1 SEE NOTE BELOW
21	20939	THRUST COLLAR ASSY.	1 INCLUDES ITEMS W/*
22#	21031	SCREW, HHC ROUNDED 7/16-14 UNC SPCL GR8	6	
23#	21049	LEVER, TROWEL ARM HYD L.S.	6	
24	21063	SPIDER ASSY., KEYED, TAPERED LS (OLD STYLE)	1 NO LONGER AVAILABLE
24	23344	SPIDER ASSY., KEYLESS, TAPERED LS (NEW STYLE)	1 INCLUDES ITEMS W/#
25#	20532	SPIDER PLATE, KEYED, TAPERED 6-BLADE DUCTILE	1 NO LONGER AVAILABLE
25#%	23337	SPIDER PLATE, KEYLESS, TAPERED 6-BLADE (NEW STYLE)	1	
26#	21630	SPIDER STX SERVICE KIT, OLD STYLE SPIDER	1 NO LONGER AVAILABLE
26#	23341	SPIDER STX SERVICE KIT, TAPERED SPIDER	1 INCLUDES ITEMS W/%
27%	1477	LOCTITE 242 BLUE .5CC	1	
28%	19379-014	LOCTITE 271 RED, ANAEROBIC	1	
29%	23342	INSTRUCTIONS, TAPERED KEYLESS SPIDER KIT	1	



WHEN REPLACING ITEM 20, SCREW, ON OLD STYLE SPIDER, USE P/N 20179. WHEN REPLACING ITEM 20 ON NEW STYLE SPIDER, PURCHASE BOTH SCREWS, P/N 20179 AND 22465. REFERENCE ITEM 29, INSTRUCTIONS, P/N 23342, TO DETERMINE PROPER LENGTH OF SCREW FOR SPIDER.

STX-SERIES RIDE-ON TROWEL — 6-BLADE SPIDER ASSY. (RH)

6-BLADE SPIDER ASSY. (RH)



NOTE:

- 1 APPLY BLUE LOCTITE #242 P/N 1477, 6 PLACES
- 2 APPLY RED LOCTITE #271 P/N 19379-014
- 3 TORQUE TO 130 FT. LBS FOR OLD STYLE SPIDER P/N 21064.
- 4 RIGHT-SIDE KEYS SPIDER ASSEMBLY P/N 21064 NO LONGER AVAILABLE, REPLACE WITH NEW KEYLESS SPIDER ASSY. P/N 23343.
- 5 THRUST COLLAR ASSEMBLY P/N 20939 INCLUDES ALL ITEMS WITHIN DASHED LINES.
- 6 RIGHT-SIDE KEYLESS SPIDER ASSEMBLY P/N 23343 INCLUDES ALL ITEMS WITHIN DASHED LINES.
- 7 TORQUE TO 350 FT. LBS FOR NEW STYLE SPIDER P/N 23343.
- 8 LOCK WASHER P/N 2955 NOT REQUIRED WITH NEW STYLE SPIDER P/N 23343.

STX-SERIES RIDE ON TROWEL — 6-BLADE SPIDER ASSY. (RH)

6-BLADE SPIDER ASSY. (RH)

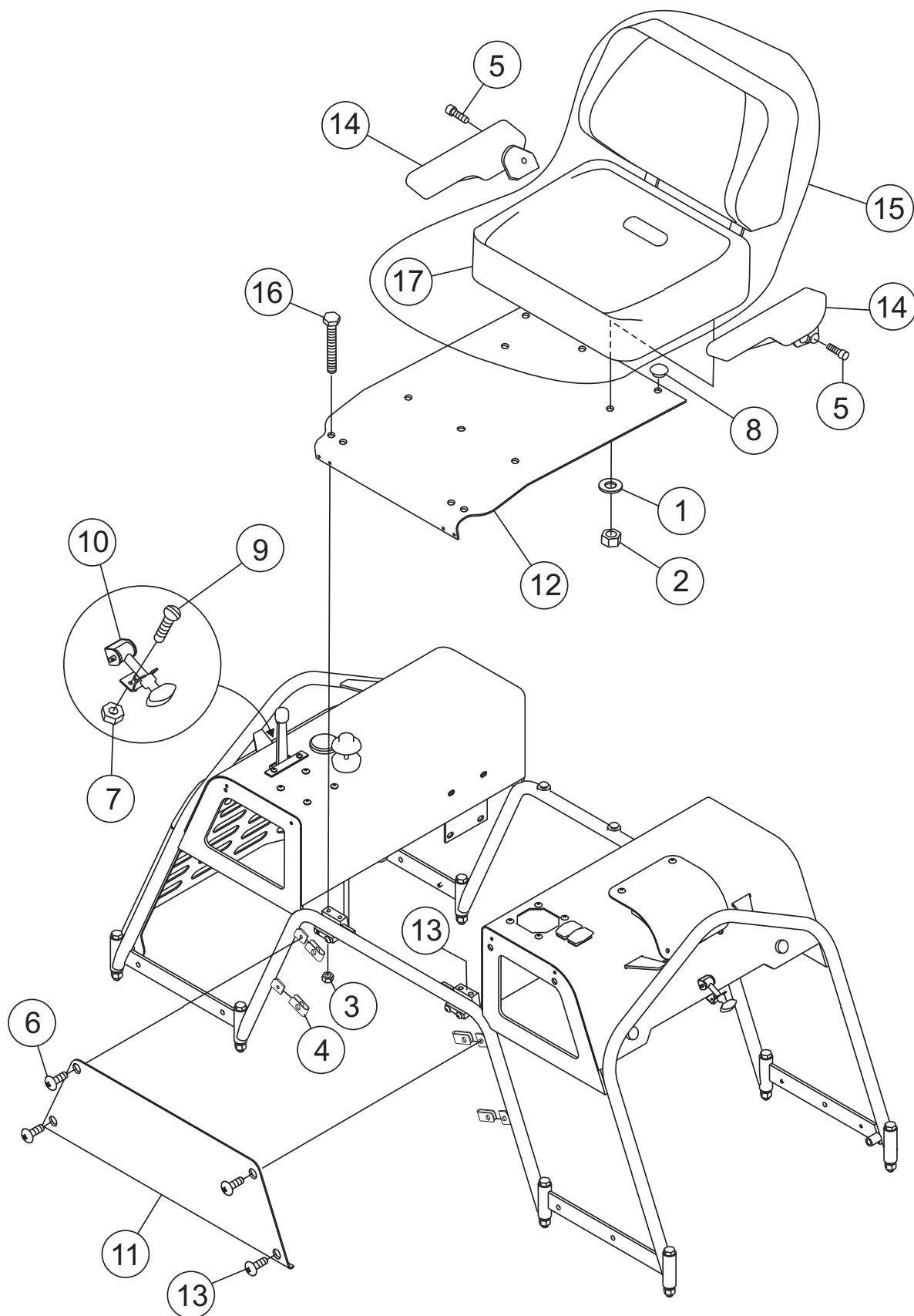
<u>NO.</u>	<u>PART NO.</u>	<u>PART NAME</u>	<u>QTY.</u>	<u>REMARKS</u>
1#	0121 A	FITTING, PLUG 3/8 MP SQ HEAD	1	
2*#	1162 A	CAP, GREASE ZERK #2	2	
3#	1322	SCREW, RETAINING	6	
4#	1875	WASHER, INT. SHKP. 3/8	6	
5*	2621	ZERK, GREASE STR 1/4-28	1	
6#	2955	WASHER, LOCK, 7/16 MED	6	
7#	07034-007	NUT, HEX JAM 7/16-14	6	
8	4388	WASHER, LOCK, 3/4 MED	1 OLD STYLE SPIDER ONLY
9#	9006	PIN, ROLL 5/16 X 2	6	
10#	2143	SPRING, RS ARM RETURN HD/HT, SMALL BOSS	6	
11#	11039	BUSHING, ARM 2 PIECE	12	
12#%	11602	SCREW, HHC 3/8-16 X 1/4	6	
13#	11991	ARM, TROWEL, 6 BLADE	6	
14*	12250	PLATE, WEAR	1	
15*	12315	THRUST COLLAR W/ BUSHING	1 INCLUDES ITEM W/\$
16*\$	12316	BUSHING, THRUST COLLAR	1	
17*	12779	BEARING, THRUST 6017 2RS W/FLANGE	1	
18	20073	RETAINER, SPIDER	1 OLD STYLE SPIDER ONLY
18%	933247	WASHER, FLAT SAE 3/4 GRD 9	1 NEW STYLE SPIDER ONLY
19	20121	PLUG, SPIDER SNAP IN	1	
20	20179	SCREW, HHC 3/4 -16 X 2, GR 8	1 SEE NOTE BELOW
20%	22465	SCREW, HHC 3/4 -16 X 2.5, GR 8	1 SEE NOTE BELOW
21	20939	THRUST COLLAR ASSY.	1 INCLUDES ITEMS W/*
22#	21031	SCREW, HHC ROUNDED 7/16-14 UNC SPCL GR8	6	
23#	21050	LEVER, TROWEL ARM HYD R.S.	6	
24	21064	SPIDER ASSY., KEYED, TAPERED RS (OLD STYLE)	1 NO LONGER AVAILABLE
24	23343	SPIDER ASSY., KEYLESS, TAPERED RS (NEW STYLE)	1 INCLUDES ITEMS W/#
25#	20532	SPIDER PLATE, KEYED, TAPERED 6-BLADE DUCTILE	1 NO LONGER AVAILABLE
25#%	23337	SPIDER PLATE, KEYLESS, TAPERED 6-BLADE (NEW STYLE)	1	
26#	21630	SPIDER STX SERVICE KIT, OLD STYLE SPIDER	1 NO LONGER AVAILABLE
26#	23341	SPIDER STX SERVICE KIT, TAPERED SPIDER	1 INCLUDES ITEMS W/%
27%	1477	LOCTITE 242 BLUE .5CC	1	
28%	19379-014	LOCTITE 271 RED, ANAEROBIC	1	
29%	23342	INSTRUCTIONS, TAPERED KEYLESS SPIDER KIT	1	



WHEN REPLACING ITEM 20, SCREW, ON OLD STYLE SPIDER, USE P/N 20179. WHEN REPLACING ITEM 20 ON NEW STYLE SPIDER, PURCHASE BOTH SCREWS, P/N 20179 AND 22465. REFERENCE ITEM 29, INSTRUCTIONS, P/N 23342, TO DETERMINE PROPER LENGTH OF SCREW FOR SPIDER.

STX-SERIES RIDE-ON TROWEL — SEAT FRAME ASSY.

SEAT FRAME ASSY.



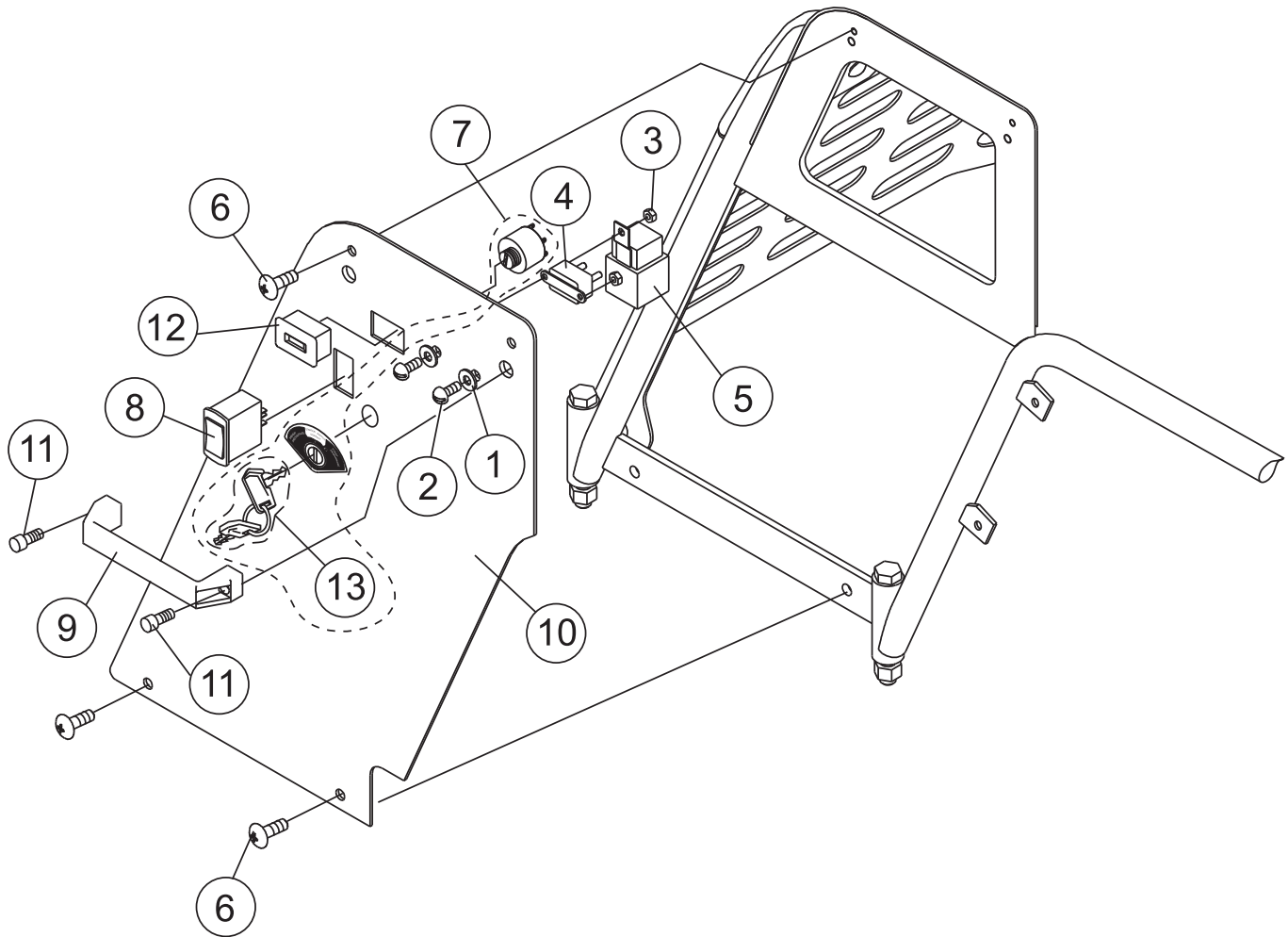
STX-SERIES RIDE-ON TROWEL — SEAT FRAME ASSY.

SEAT FRAME ASSY.

<u>NO.</u>	<u>PART NO.</u>	<u>PART NAME</u>	<u>QTY.</u>	<u>REMARKS</u>
1	0300 B	WASHER, FLAT 5/16 SAE	4	
2	5283	NUT, NYLOC 5/16-18	4	
3	10024	NUT, NYLOC 1/4-20	4	
4	11534	NUT U TYPE 1/4-20	4	
5	11821	SCREW, SHC M8-1.25 X 25 GR10.9, NP	2	
6	12287	SCREW, THP 1/4-20 X 3/4 SS	4	
7	13287	NUT, NYLOC #8-32	4	
8	15161	STOP, RUBBER BUMPER	7	
9	15175	SCREW, PAN HEAD 8-32 X 3/4	4	
10	20673	LATCH, RUBBER HOOD	2	
11	20676	PANEL, SEAT FRAME FRONT CENTER	1	SAFETY ITEM
12	20679	PLATFORM, OPERATOR SEAT	1	
13	20685	BLOCK, OPERATOR SEAT-PIVOT	2	
14	20995	ARM REST ASSY., SET OF 2	1	
15	21420	SEAT, ASSY. W/SWITCH, NO ARMS	1	SAFETY ITEM
			INCLUDES ITEMS W/#
16	26385	SCREW, HHC 1/4-20 X 2.00	4	
17#	21609	SEAT CUSHION W/SWITCH	1	SAFETY ITEM

STX-SERIES RIDE-ON TROWEL — FRONT PANEL ASSY. (RIGHT-SIDE)

FRONT PANEL ASSY. (RIGHT-SIDE)



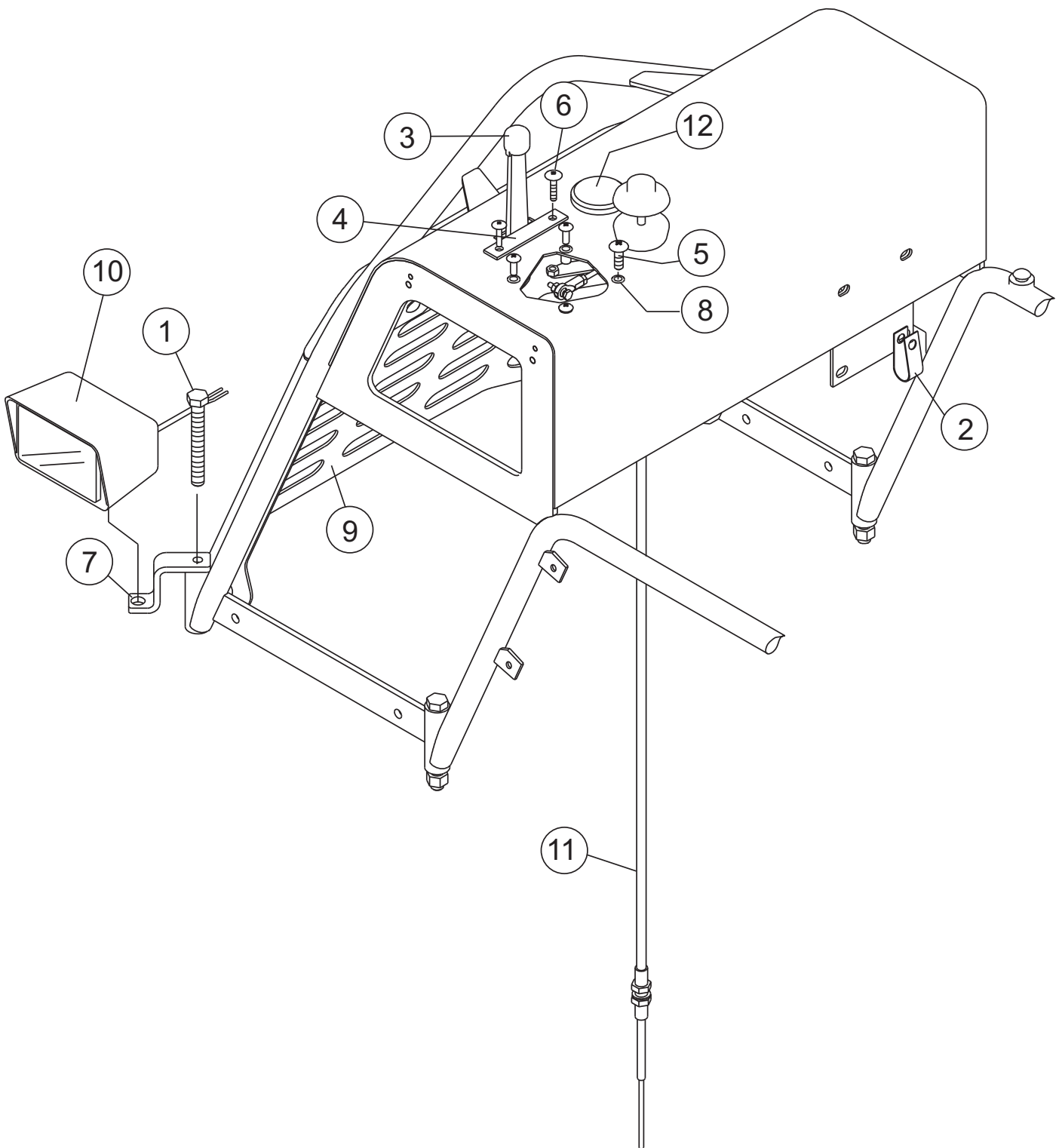
STX-SERIES RIDE-ON TROWEL — FRONT PANEL ASSY. (RIGHT-SIDE)

FRONT PANEL ASSY. (RIGHT-SIDE)

<u>NO.</u>	<u>PART NO.</u>	<u>PART NAME</u>	<u>QTY.</u>	<u>REMARKS</u>
1	2203	WASHER, FLAT # 10 SAE	2	
2	5065 B	SCREW, RHM 10-32 X 1/2	2	
3	10019	NUT, NYLOC 10-32	2	
4	11098	CIRCUIT BRKR,WAYTEK#46540 40 AMP	1	
5	12017	RELAY, KILL	1	SAFETY ITEM
6	12287	SCREW, THP 1/4-20 X 3/4 SS	4	
7	20511	IGNITION KEY AND SWITCH	1	
8	406000	SWITCH, ROCKER DP-DT	1	
9	20674	HANDLE, GRAB	1	SAFETY ITEM
10	20677	PANEL, SEAT FRAME FRONT RIGHT	1	SAFETY ITEM
11	21575	SCREW, SHC 5/16-18 X 3/4	2	
12	29640	HR METER, SENDEC RECT FLUS MT	1	
13	12940	KEY SET, IGNITION	1	

STX-SERIES RIDE-ON TROWEL — FRAME ASSY. (RIGHT-FRONT)

FRAME ASSY. (RIGHT-FRONT)



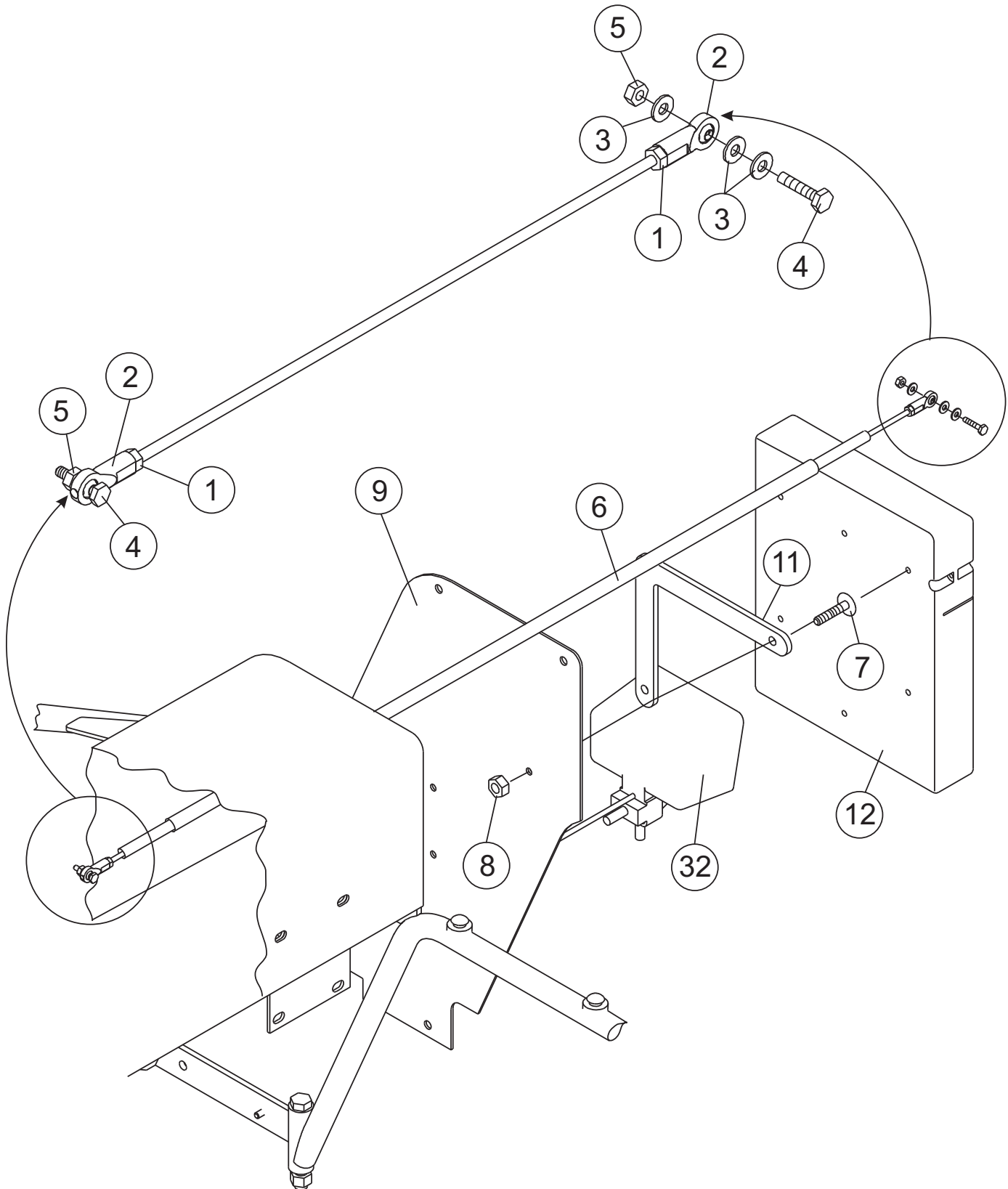
STX-SERIES RIDE-ONTROWEL — FRAME ASSY. (RIGHT-FRONT)

FRAME ASSY. (RIGHT-FRONT)

<u>NO.</u>	<u>PART NO.</u>	<u>PART NAME</u>	<u>QTY.</u>	<u>REMARKS</u>
1	8087	SCREW, HHC 1/2-13 X 4	4	
2	8128	CLAMP, HOSE SUPPORT, 5/16	1	
3	11379	LEVER, THROTTLE	1	
4	11712	ENGINE SPEED DECAL	1	
5	12287	SCREW, THP 1/4-20 X 3/4 SS	4	
6	12288	SCREW, THP 1/4-20 X 1	2	
7	12355	BRACKET, LIGHT	2	
8	19266	NUT, BLIND 1/4-20 X 10GA	4	
9	20680	GUARD W/GRILL	1 SAFETY ITEM
10	21052	LIGHT, SPEAKER WIDE FLOOD	1 SAFETY ITEM
11	21341	CABLE, CTRL THUMB RELEASE 46"	1	
12	406021	GAUGE, ENGINE STATUS	1	

STX-SERIES RIDE-ON TROWEL — FRAME ASSY. (RIGHT-REAR)

FRAME ASSY. (RIGHT-REAR)



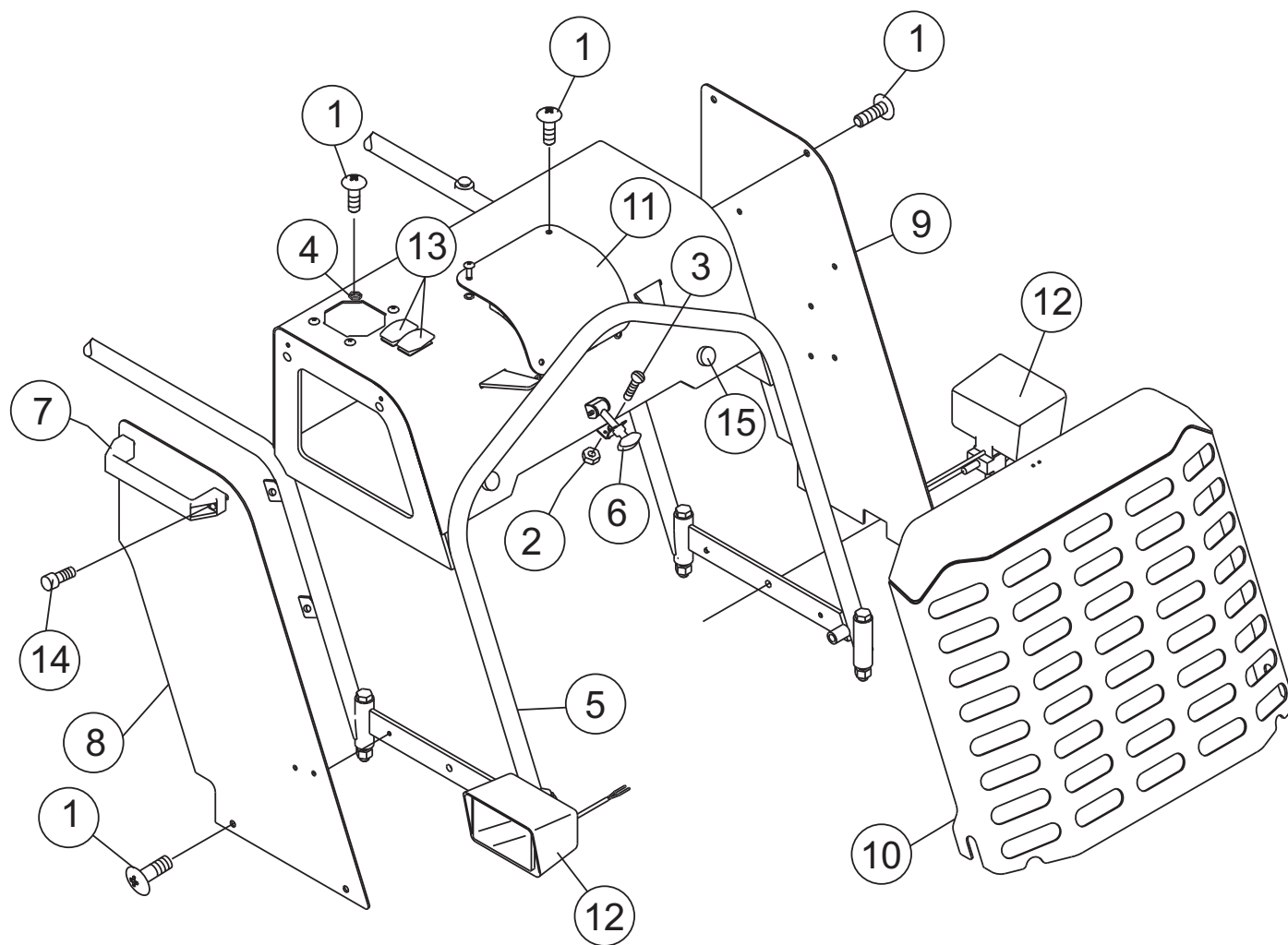
STX-SERIES RIDE-ON TROWEL — FRAME ASSY. (RIGHT-REAR)

FRAME ASSY. (RIGHT-REAR)

<u>NO.</u>	<u>PART NO.</u>	<u>PART NAME</u>	<u>QTY.</u>	<u>REMARKS</u>
1	0937	NUT,HEX #10-32	2	
2	2153	ROD END, 10-32 FEMALE RH	2	
3	2203	WASHER, FLAT # 10 SAE	5	
4	3513	SCREW, HHC 10-32 X 1	2	
5	10019	NUT, NYLOC 10-32	2	
6	10568	CABLE, THROTTLE	1	
7	12287	SCREW, THP 1/4-20 X 1	5	
8	19266	NUT, BLIND 1/4-20 X 10GA	5	
9	20678	PANEL, SEATFRAME RIGHT-REAR.....	1	SAFETY ITEM
10	21052	LIGHT, SPEAKER WIDE FLOOD	1	SAFETY ITEM
11	21604	SPACER, DOCUMENT BOX	1	
12	29057	DOCUMENT BOX, (CP90007-07)	1	

STX-SERIES RIDE-ON TROWEL — FRAME ASSY. (LEFT-FRONT/REAR)

FRAME ASSY. (LEFT-FRONT/REAR)



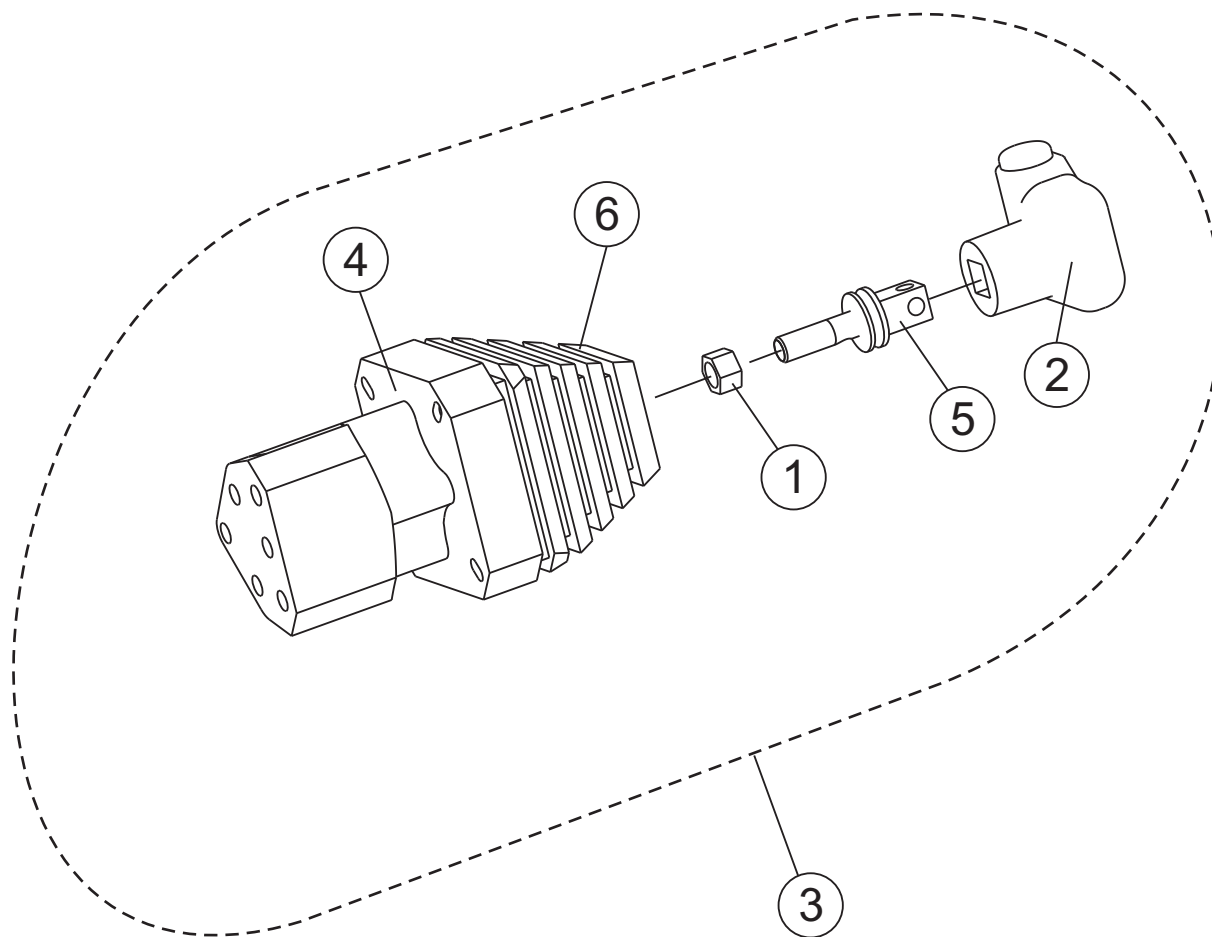
STX-SERIES RIDE-ON TROWEL — FRAME ASSY. (LEFT-FRONT/REAR)

FRAME ASSY. (LEFT-FRONT/REAR)

<u>NO.</u>	<u>PART NO.</u>	<u>PART NAME</u>	<u>QTY.</u>	<u>REMARKS</u>
1	12287	SCREW, THP 1/4-20 X 3/4 SS	12	
2	13287	NUT, NYLOC #8-32	2	
3	15175	SCREW, PAN HEAD 8-32 X 3/4	2	
4	19266	NUT, BLIND 1/4-20 X 10GA	4	
5	20660	SEAT FRAME W/A	1	
6	20673	LATCH, RUBBER HOOD	1	
7	20674	HANDLE, GRAB	1	SAFETY ITEM
8	20675	PANEL, SEAT FRAME FRONT LEFT	1	SAFETY ITEM
9	20678	PANEL, SEAT FRAME REAR LEFT	1	SAFETY ITEM
10	20680	GUARD/W, GRILL W/A	1	SAFETY ITEM
11	20693	PANEL, RADIATOR COVER	1	SAFETY ITEM
12	21052	LIGHT, SPEAKER WIDE FLOOD	2	SAFETY ITEM
13	21470	SWITCH, ON-OFF-ON	2	
14	21575	SCREW, SHC 5/16-18 X 3/4	2	
15	21597	BUMPER,STEM 1"DIA X.5"STEMX.31TK	2	

STX-SERIES TROWEL — R.H. VALVE ASSY. S/N2000885 AND BELOW

RIGHT-HAND VALVE ASSY. S/N 2000885 AND BELOW



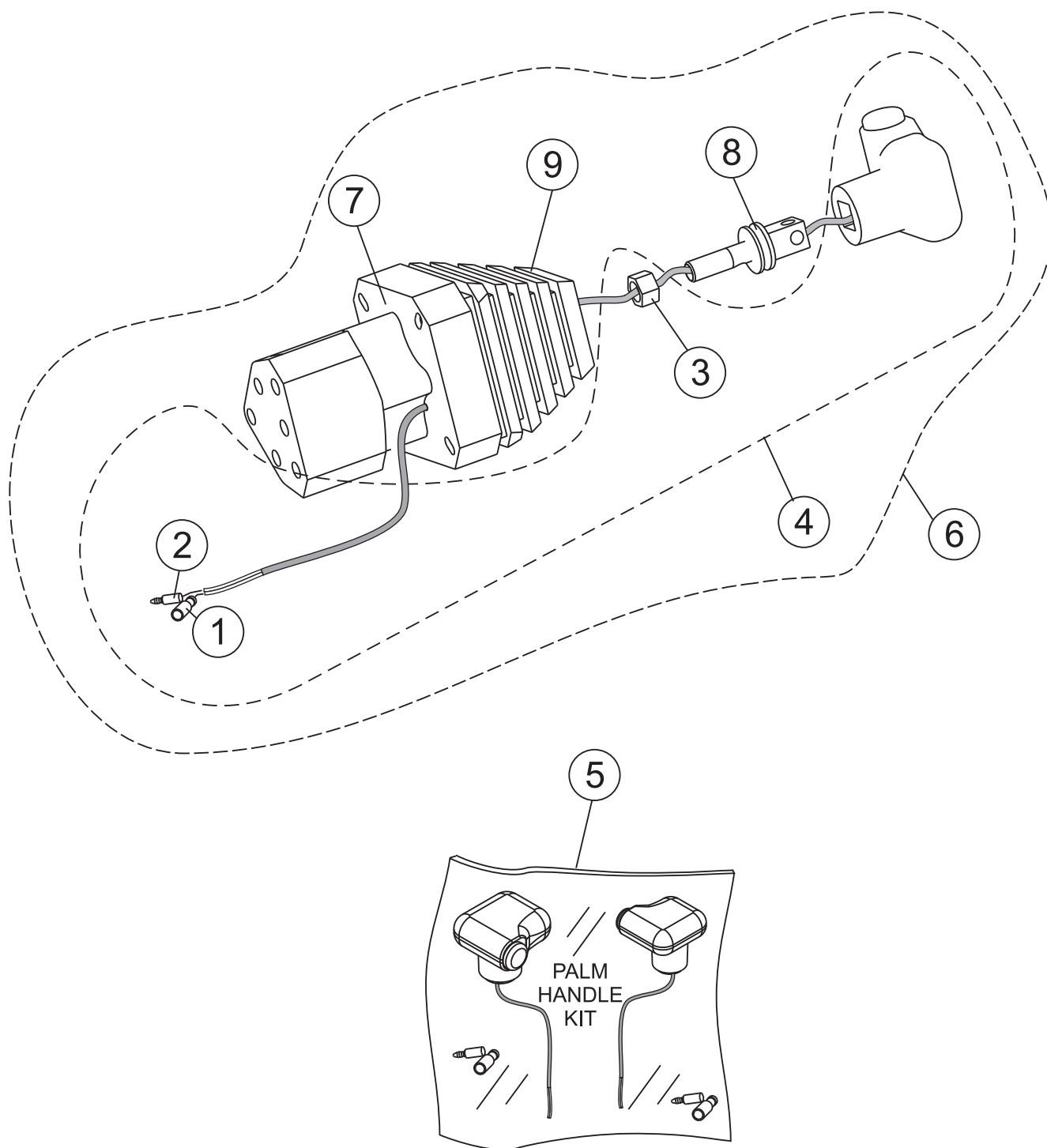
STX-SERIES TROWEL — R.H. VALVE ASSY. S/N2000885 AND BELOW

RIGHT-HAND VALVE ASSY. S/N 2000885 AND BELOW

<u>NO.</u>	<u>PART NO.</u>	<u>PART NAME</u>	<u>QTY.</u>	<u>REMARKS</u>
1*	16083	NUT, HEX M12 P1.75	1	
2*	20149	PALM HANDLE, RIGHT HAND W/O SWITCH	1	
3	20830	VALVE ASSY., RIGHT HAND STG W/O SWITCH	1	INCLUDES ITEMS W/*
4*	20832	RH STEERING VALVE	1	
5*	20834	ADAPTOR, RH PALM HANDLE	1	
6*	21631	BOOT, STEERING VALVE	1	

STX-SERIES TROWEL — R.H. VALVE ASSY. S/N2000886 AND ABOVE

RIGHT-HAND VALVE ASSY. S/N 2000886 AND ABOVE



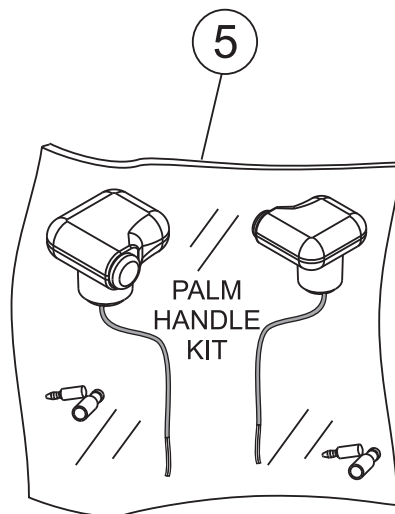
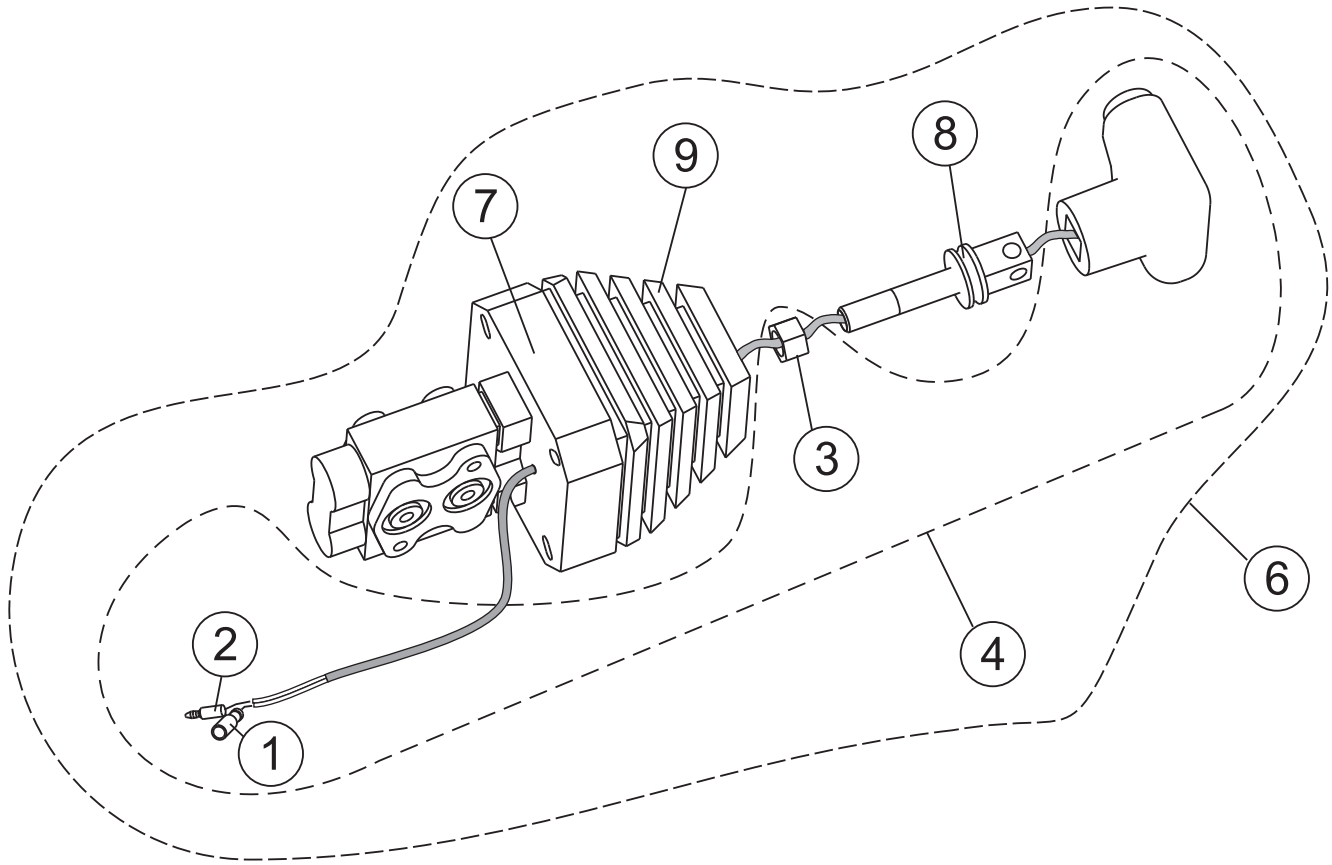
STX-SERIES TROWEL — R.H. VALVE ASSY. S/N2000886 AND ABOVE

RIGHT-HAND VALVE ASSY. S/N 2000886 AND ABOVE

<u>NO.</u>	<u>PART NO.</u>	<u>PART NAME</u>	<u>QTY.</u>	<u>REMARKS</u>
1#*\$	1318	TERMINAL, BULLET, FEMALE, 18-22	1	
2#*\$	4692	TERMINAL, BULLET MALE 14-16	1	
3#*	16083	NUT, HEX M12 P1.75	1	
4*\$	20155	PALM HANDLE, W/SWITCH, RIGHT	1	INCLUDES ITEMS W/#
5	20165	PALM HANDLE KIT, LEFT/RIGHT HANDLES	1	INCLUDES ITEMS W/\$
6	20829	VALVE ASSY., RH STEERING W/SWITCH	1	INCLUDES ITEMS W/*
7*	20832	VALVE, RH STEERING	1	
8*	20834	ADAPTOR, RH PALM HANDLE	1	
9*	21631	BOOT, STEERING VALVE	1	

STX-SERIES RIDE-ON TROWEL — LEFT-HAND VALVE ASSY.

LEFT-HAND VALVE ASSY.



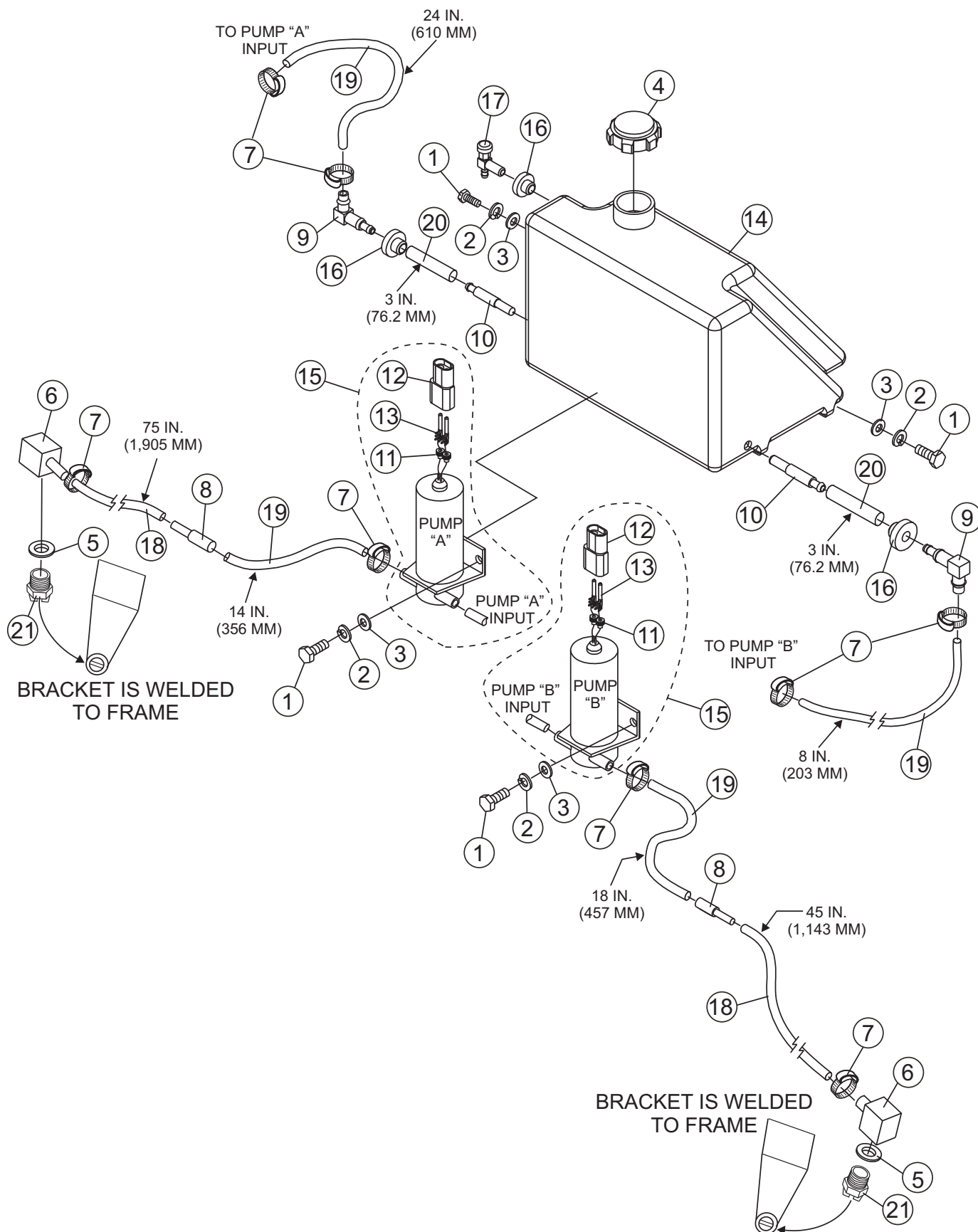
STX-SERIES RIDE-ON TROWEL — LEFT-HAND VALVE ASSY.

LEFT-HAND VALVE ASSY.

<u>NO.</u>	<u>PART NO.</u>	<u>PART NAME</u>	<u>QTY.</u>	<u>REMARKS</u>
1#*\$	1318	TERMINAL, BULLET, FEMALE, 18-22	1	
2#*\$	4692	TERMINAL, BULLET MALE 14-16	1	
3#*	16083	NUT, HEX M12 P1.75	1	
4*\$	20150	PALM HANDLE, W/SWITCH, LEFT	1	INCLUDES ITEMS W/#
5	20165	PALM HANDLE KIT, LEFT/RIGHT HANDLES	1	INCLUDES ITEMS W/\$
6	20831	VALVE ASSY., LH STEERING W/SWITCH	1	INCLUCES ITEMS W/*
7*	20833	VALVE, LH STEERING	1	
8*	21053	ADAPTOR, LH PALM HANDLE	1	
9*	21631	BOOT, STEERING VALVE	1	

STX-SERIES RIDE ON TROWEL — SPRAY ASSY.

SPRAY ASSY.



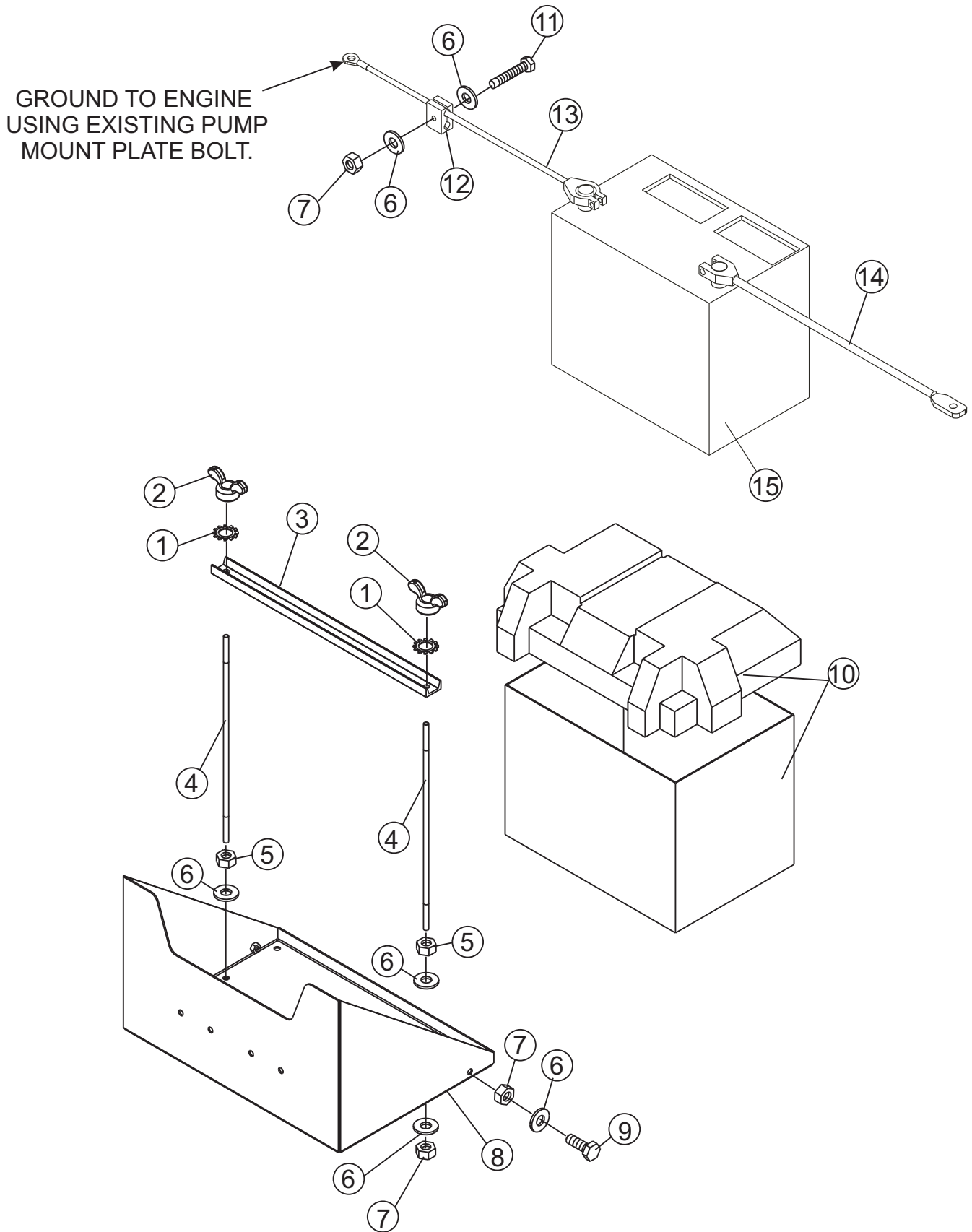
STX-SERIES RIDE ON TROWEL — SPRAY ASSY.

SPRAY ASSY.

<u>NO.</u>	<u>PART NO.</u>	<u>PART NAME</u>	<u>QTY.</u>	<u>REMARKS</u>
1	0131 A	SCREW, HHC 1/4-20 x 3/4	3	
2	0181 B	WASHER, LOCK, 1/4 MED	3	
3	0948	WASHER, FLAT, 1/4 SAE	30	
4	2108	CAP, SPRAY TANK	1	
5	2898	WASHER, ROUNDED NEOPRENE 1 X 1/2	2	
6	2912	FITTING 90 DEGREE	2	
7	2918	CLAMP, HOSE .475-.536 ID	8	
8	10022	FITTING, PLASTIC-TEE 1/4 BARB	2	
9	12008	FITTING, 90 FUEL	2	
10	12009	SCREEN, FILTER DAPCO 11604	2	
11#	12171	SEAL, WPACK 16-18 (GRN)	4	
12#	12176	CONNECTOR, WPACK 2 PIN SHROUD	2	
13#	12179	TERMINAL, WPACK MALE 14-16 GA	4	
14	12403	TANK	1	
15	12548	PUMP, SPRAY	2	INCLUDES ITEMS W/#
16	19633	BUSHING, RUBBER FUEL	5	
17	19661	VALVE, DRAIN (DAPCO P/N 11478)	1	
18	60001	HOSE, .25 ID x .375 OD TYGON 10 FT.....	1	SOLD BY FOOT
19	60002	HOSE, .375 ID x .5 OD TYGON 5.3. FT	1	SOLD BY FOOT
20	60058	HOSE, 1/4 x 3/8 PVC FUEL YELLOW .5 FT	1	SOLD BY FOOT
21	392292	NOZZEL, SPRAY	2	

STX-SERIES RIDE ON TROWEL — BATTERY ASSY.

BATTERY ASSY.

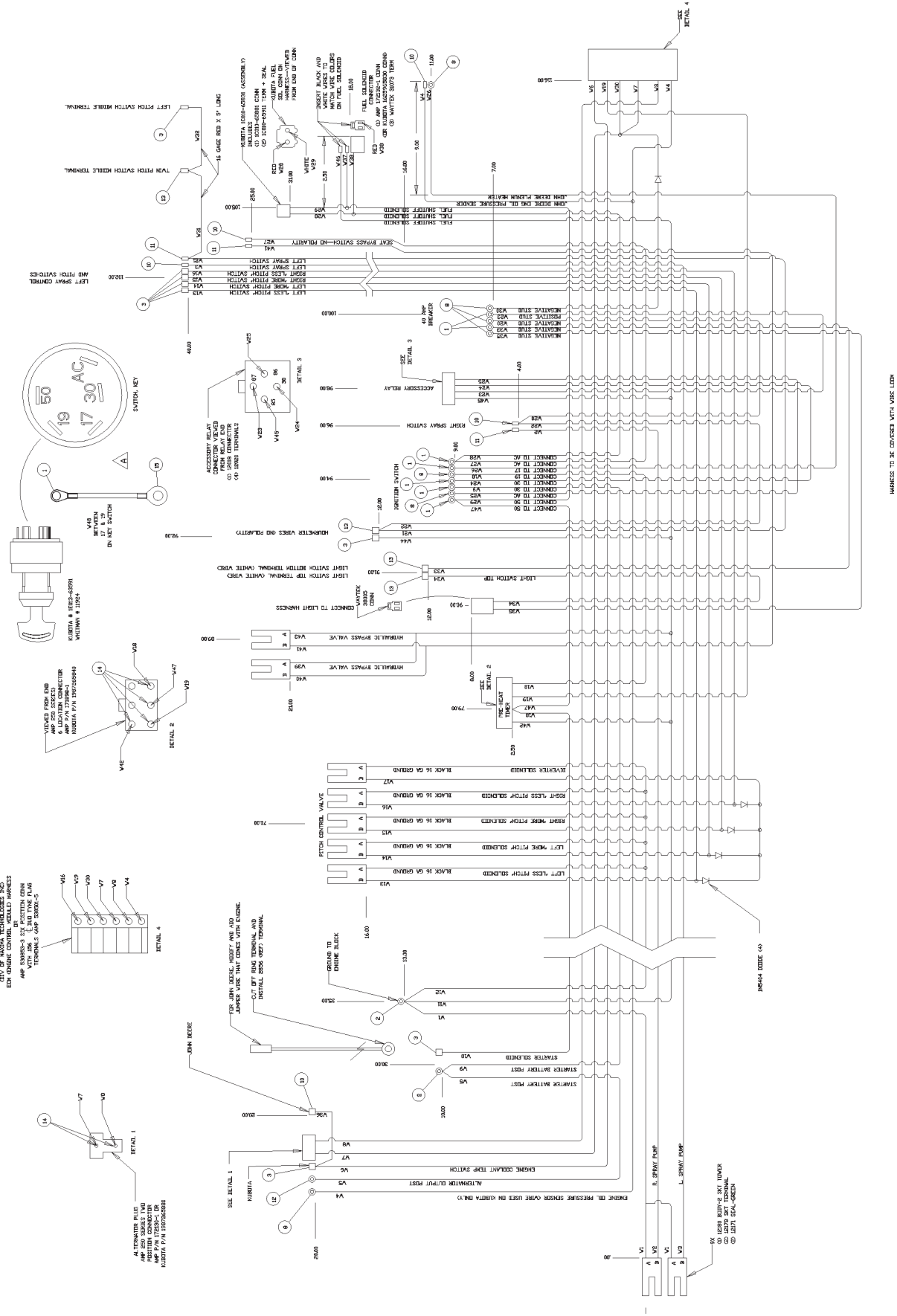


STX-SERIES RIDE ON TROWEL — BATTERY ASSY.

BATTERY ASSY.

<u>NO.</u>	<u>PART NO.</u>	<u>PART NAME</u>	<u>QTY.</u>	<u>REMARKS</u>
1	10031	WASHER, EXT SHKP 1/4	2	
2	2509	NUT, WING 1/4-20 PLATED	2	
3	11692	BRACKET, BATTERY BOX	1	
4	11693	BOLT, BATTERY BRACKET	2	
5	0949	NUT, HEX FINISH 1/4-20	2	
6	0948	WASHER, FLAT, 1/4 SAE	8	
7	10024	NUT, NYLOC 1/4-20	5	
8	20696	BATTERY BOX W/A	1	
9	0131 A	SCREW, HHC 1/4-20 x 3/4	2	
10	10318	BATTERY BOX, GROUP 24	1	SAFETY ITEM
11	5277	SCREW, HHC 1/4-20 x 1-1/2	1	
12	12273	CLAMP, 3/8 TUBE	1	
13	12278	CABLE, BAT NEG 4GA32x3/8R	1	
14	21767	CABLE, POS BATTERY RED 38"	1	
15		BATTERY 12V GR22	1	USE INTERSTATE P/N 22F-60

STX-SERIES RIDE ON TROWEL — WIRING DIAGRAM



WIRING TO BE COVERED WITH WIRE LOOM

TERMS AND CONDITIONS OF SALE — PARTS

PAYMENT TERMS

Terms of payment for parts are net 30 days.

FREIGHT POLICY

All parts orders will be shipped collect or prepaid with the charges added to the invoice. All shipments are F.O.B. point of origin. Multiquip's responsibility ceases when a signed manifest has been obtained from the carrier, and any claim for shortage or damage must be settled between the consignee and the carrier.

MINIMUM ORDER

The minimum charge for orders from Multiquip is \$15.00 net. Customers will be asked for instructions regarding handling of orders not meeting this requirement.

RETURNED GOODS POLICY

Return shipments will be accepted and credit will be allowed, subject to the following provisions:

1. A Returned Material Authorization must be approved by Multiquip prior to shipment.
2. To obtain a Return Material Authorization, a list must be provided to Multiquip Parts Sales that defines item numbers, quantities, and descriptions of the items to be returned.
 - a. The parts numbers and descriptions must match the current parts price list.
 - b. The list must be typed or computer generated.
 - c. The list must state the reason(s) for the return.
 - d. The list must reference the sales order(s) or invoice(s) under which the items were originally purchased.
 - e. The list must include the name and phone number of the person requesting the RMA.
3. A copy of the Return Material Authorization must accompany the return shipment.
4. Freight is at the sender's expense. All parts must be returned freight prepaid to Multiquip's designated receiving point.

5. Parts must be in new and resalable condition, in the original Multiquip package (if any), and with Multiquip part numbers clearly marked.
6. The following items are not returnable:
 - a. Obsolete parts. (If an item is in the price book and shows as being replaced by another item, it is obsolete.)
 - b. Any parts with a limited shelf life (such as gaskets, seals, "O" rings, and other rubber parts) that were purchased more than six months prior to the return date.
 - c. Any line item with an extended dealer net price of less than \$5.00.
 - d. Special order items.
 - e. Electrical components.
 - f. Paint, chemicals, and lubricants.
 - g. Decals and paper products.
 - h. Items purchased in kits.
7. The sender will be notified of any material received that is not acceptable.
8. Such material will be held for five working days from notification, pending instructions. If a reply is not received within five days, the material will be returned to the sender at his expense.
9. Credit on returned parts will be issued at dealer net price at time of the original purchase, less a 15% restocking charge.
10. In cases where an item is accepted, for which the original purchase document can not be determined, the price will be based on the list price that was effective twelve months prior to the RMA date.
11. Credit issued will be applied to future purchases only.

PRICING AND REBATES

Prices are subject to change without prior notice. Price changes are effective on a specific date and all orders received on or after that date will be billed at the revised price. Rebates for price declines and added charges for price increases will not be made for stock on hand at the time of any price change.

Multiquip reserves the right to quote and sell direct to Government agencies, and to Original Equipment Manufacturer accounts who use our products as integral parts of their own products.

SPECIAL EXPEDITING SERVICE

A \$35.00 surcharge will be added to the invoice for special handling including bus shipments, insured parcel post or in cases where Multiquip must personally deliver the parts to the carrier.

LIMITATIONS OF SELLER'S LIABILITY

Multiquip shall not be liable hereunder for damages in excess of the purchase price of the item with respect to which damages are claimed, and in no event shall Multiquip be liable for loss of profit or good will or for any other special, consequential or incidental damages.

LIMITATION OF WARRANTIES

No warranties, express or implied, are made in connection with the sale of parts or trade accessories nor as to any engine not manufactured by Multiquip. Such warranties made in connection with the sale of new, complete units are made exclusively by a statement of warranty packaged with such units, and Multiquip neither assumes nor authorizes any person to assume for it any other obligation or liability whatever in connection with the sale of its products. Apart from such written statement of warranty, there are no warranties, express, implied or statutory, which extend beyond the description of the products on the face hereof.

Effective: February 22, 2006

PARTS MANUAL

HERE'S HOW TO GET HELP

PLEASE HAVE THE MODEL AND SERIAL
NUMBER ON-HAND WHEN CALLING

UNITED STATES

Multiquip Corporate Office

18910 Wilmington Ave. Tel. (800) 421-1244
Carson, CA 90746 Fax (800) 537-3927
Contact: mq@multiquip.com

Mayco Parts

800-306-2926 Fax: 800-672-7877
310-537-3700 Fax: 310-637-3284

Service Department

800-421-1244 Fax: 310-537-4259
310-537-3700

MQ Parts Department

800-427-1244 Fax: 800-672-7877
310-537-3700 Fax: 310-637-3284

Warranty Department

800-421-1244, Ext. 279 Fax: 310-537-1173
310-537-3700, Ext. 279

Technical Assistance

800-478-1244 Fax: 310-631-5032

MEXICO

MQ Cipsa

Carr. Fed. Mexico-Puebla KM 126.5 Tel: (52) 222-225-9900
Momoxpan, Cholula, Puebla 72760 Mexico Fax: (52) 222-285-0420
Contact: pmastretta@cipsa.com.mx

CANADA

Multiquip

4110 Industriel Boul. Tel: (450) 625-2244
Laval, Quebec, Canada H7L 6V3 Tel: (877) 963-4411
Contact: jmartin@multiquip.com Fax: (450) 625-8664

UNITED KINGDOM

Multiquip (UK) Limited Head Office

Unit 2, Northpoint Industrial Estate, Tel: 0161 339 2223
Global Lane, Fax: 0161 339 3226
Dukinfield, Cheshire SK16 4UJ
Contact: sales@multiquip.co.uk

© COPYRIGHT 2010, MULTIQUIP INC.

Multiquip Inc, the MQ logo and the Whiteman logo are registered trademarks of Multiquip Inc. and may not be used, reproduced, or altered without written permission. All other trademarks are the property of their respective owners and used with permission.

This manual MUST accompany the equipment at all times. This manual is considered a permanent part of the equipment and should remain with the unit if resold.

The information and specifications included in this publication were in effect at the time of approval for printing. Illustrations, descriptions, references and technical data contained in this manual are for guidance only and may not be considered as binding. Multiquip Inc. reserves the right to discontinue or change specifications, design or the information published in this publication at any time without notice and without incurring any obligations.

Your Local Dealer is:



Free Manuals Download Website

<http://myh66.com>

<http://usermanuals.us>

<http://www.somanuals.com>

<http://www.4manuals.cc>

<http://www.manual-lib.com>

<http://www.404manual.com>

<http://www.luxmanual.com>

<http://aubethermostatmanual.com>

Golf course search by state

<http://golfingnear.com>

Email search by domain

<http://emailbydomain.com>

Auto manuals search

<http://auto.somanuals.com>

TV manuals search

<http://tv.somanuals.com>