

# OPERATION AND PARTS MANUAL




## WHISPERWATT™ SERIES MODEL DCA-220SSVU 60 Hz GENERATOR


PARTS LIST NO. M4870300024A

Revision #1 (01/20/06)

**THIS MANUAL MUST ACCOMPANY  
THE EQUIPMENT AT ALL TIMES.**



# **WARNING**



**CALIFORNIA — Proposition 65 Warning**

**Diesel engine exhaust and some of its constituents are known to the State of California to cause cancer, birth defects and other reproductive harm.**

## **HERE'S HOW TO GET HELP**

PLEASE HAVE THE MODEL AND SERIAL  
NUMBER *ON-HAND* WHEN CALLING

### ***MQ POWER CORPORATE OFFICE***

18910 Wilmington Ave. 800-421-1244  
Carson, CA 90746 FAX:310-632-2656  
Email: [mqpower@multiquip.com](mailto:mqpower@multiquip.com)  
Internet: [www.mqpower.com](http://www.mqpower.com)

### ***PARTS DEPARTMENT***

800-427-1244 FAX:800-672-7877  
310-537-3700 FAX:310-637-3284

### ***SERVICE DEPARTMENT***

800-835-2551 FAX:310-638-8046  
310-537-3700

### ***TECHNICAL ASSISTANCE***

800-835-2551 FAX:310-638-8046

### ***WARRANTY DEPARTMENT***

800-835-2551, EXT.279 FAX:310-638-8046  
310-537-3700, EXT.279

© COPYRIGHT 2005, MULTIQUIP INC.

MQ Power Inc, Ultra-Silent series, and the MQ Power logo are registered trademarks of Multiquip Inc. and may not be used, reproduced, or altered without written permission. All other trademarks are the property of their respective owners and used with permission.

This manual **MUST** accompany the equipment at all times. This manual is considered a permanent part of the equipment and should remain with the unit if resold.

The information and specifications included in this publication were in effect at the time of approval for printing. Illustrations are based on the *DCA-220SSVU WHISPERWATT AC Generator*. Multiquip Inc. reserves the right to discontinue or change specifications, design or the information published in this publication at any time without notice and without incurring any obligations.

**To find the latest revision of this  
publication, visit our website at:  
[www.mqpower.com](http://www.mqpower.com)**

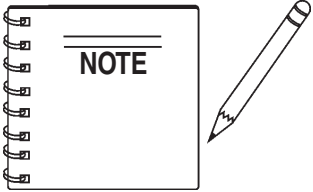


**MQ POWER DCA-220SSVU  
WHISPERWATT™ GENERATOR**

California Proposition 65 Warning ..... 2  
Here's How To Get Help ..... 3  
Table Of Contents ..... 4  
Parts Ordering Procedures ..... 5  
Specifications ..... 6  
Dimensions (Top, Side, Front) ..... 7  
Safety Message Alert Symbols ..... 8-9  
Rules for Safe Operation ..... 10-13  
Generator Decals ..... 14-15  
Installation ..... 16-17  
General Information ..... 18  
Major Components ..... 19  
Generator Control Panel ..... 21  
Engine Operating Panel ..... 22-23  
Output Terminal Panel Familiarization ..... 24-26  
Load Application ..... 27  
Generator Outputs ..... 28  
Gauge Reading ..... 29  
Output Terminal Panel Connections ..... 30-31  
Pre-Setup ..... 32-35  
Generator Start-up Procedure (Manual) ..... 36-37  
Generator Start-up Procedure (Auto Mode) ..... 38  
Generator Shut-Down Procedure ..... 39  
Maintenance (Engine) ..... 40-41  
Jacket Water Heater/battery Charger (Option) ..... 42  
Maintenance (Trailer) ..... 43-46  
Trailer Wiring Diagram ..... 47  
Generator Wiring Diagram ..... 48  
Engine Wiring Diagram ..... 49  
Generator Troubleshooting ..... 50  
Engine Controller Troubleshooting ..... 51  
Explanation of Code in Remarks Column ..... 52  
Suggested Spare Parts ..... 53

**COMPONENT DRAWINGS**

Generator Assembly ..... 54-57  
Control Panel Assembly ..... 58-59  
Control Box Assembly ..... 60-63  
Engine and Radiator Assembly ..... 64-67  
Output Terminal Assembly ..... 68-69  
Battery Assembly ..... 70-71  
Muffler Assembly ..... 72-73  
Fuel Tank Assembly ..... 74-75  
Enclosure Assembly ..... 76-79  
Rubber Seals Assembly ..... 80-81  
Nameplate and Decals ..... 82-83  
  
Terms and Condition of Sale — Parts ..... 84



*Specification and part number are subject to change without notice.*

# PARTS ORDERING PROCEDURES

## When ordering parts, please supply the following information:

- Dealer account number
- Dealer name and address
- Shipping address (if different than billing address)
- Return fax number
- Applicable model number
- Quantity, part number and description of each part
- Specify preferred method of shipment:
  - ✓ FedEx or UPS Ground
  - ✓ FedEx or UPS Second Day or Third Day
  - ✓ FedEx or UPS Next Day
  - ✓ Federal Express Priority One
  - ✓ DHL
  - ✓ Truck

*Note: Unless otherwise indicated by customer, all orders are treated as "Standard Orders", and will ship within 24 hours. We will make every effort to ship "Air Shipments" the same day that the order is received, if prior to 2PM west coast time. "Stock Orders" must be so noted on fax or web forms.*



## Here's how to get help...

*Please have the model and serial number on hand when calling.*

### MQ POWER CORPORATE OFFICE

18910 Wilmington Ave. 800-421-1244  
 Carson, CA 90746 FAX: 310-632-2656  
 Email: mqpower@multiquip.com  
 Internet: www.mqpower.com

### PARTS DEPARTMENT

800-427-1244 FAX: 800-672-7877  
 310-537-3700 FAX: 310-637-3284

### SERVICE DEPARTMENT

800-835-2551 FAX: 310-638-8046  
 310-537-3700

### TECHNICAL ASSISTANCE

800-835-2551 FAX: 310-638-8046

### WARRANTY DEPARTMENT

800-835-2551, EXT. 279 FAX: 310-638-8046  
 310-537-3700, EXT. 279

## Place Your Parts Order Via Web or Fax For Even More Savings!

*(Domestic USA Dealers Only)*

### Extra Discounts!

All parts orders which include complete part numbers and are received by our automated web parts order system, or by fax qualify for the following extra discounts:

Ordered via	Standard orders	Stock orders (\$750 list and above)
Fax	3%	10%
Web	5%	10%

### Special freight allowances when you order 10 or more line items via Web or Fax! \*\*

FedEx Ground Service **at no charge for freight**

*No other allowances on freight shipped by any other carrier.*

**\*\*Common nuts, bolts and washers (all items under \$1.00 list price) do not count towards the 10+ line items.**

NOTE: DISCOUNTS ARE SUBJECT TO CHANGE



**MQPOWER**  
 A Division of Multiquip Inc.  
 POST OFFICE BOX 6254  
 CARSON, CA 90749  
 310-537-3700 • 800-421-1244  
 FAX: 310-632-2656  
 E-MAIL: mqpower@multiquip.com  
 INTERNET: www.mqpower.com

## Direct TOLL-FREE access to our Parts Department:

Toll-free nationwide — 800-427-1244

Toll-free FAX — 800-6-PARTS-7 (800/672-7877)

# DCA-220SSVU — SPECIFICATIONS

**Table 1. Generator Specifications**

<b>Model</b>	<b>DCA-220SSVU</b>
<b>Type</b>	Revolving field, self ventilated, open protected type synchronous generator
<b>Armature Connection</b>	<b>Star with Neutral/Zig Zag</b>
<b>Phase</b>	3
<b>Standby Output</b>	243 KVA (194 KW)
<b>Prime Output</b>	220 KVA (176 KW)
<b>Voltage — 1Ø</b>	120, 127, 139, 240, 254, and 277V
<b>Voltage — 3Ø</b>	208, 220, 240, 416, 440, and 480V
<b>Frequency</b>	60 Hz
<b>Speed</b>	1800 rpm
<b>Power Factor</b>	0.8
<b>Dry Weight</b>	7,678 lbs. (3,483 kg.)
<b>Wet Weight</b>	8,580 lbs. (3,892 kg.)

**Table 2. Engine Specifications**

<b>Model</b>	<b>VOLVO PENTA TAD741GE</b>
<b>Type</b>	4 cycle, water-cooled, direct injection, turbo-charged
<b>No. of Cylinders</b>	6 cylinders
<b>Bore x Stroke</b>	4.21 in. x 5.31 in. (107 mm x 135 mm)
<b>Displacement</b>	444 cu. in. (7.28 liters)
<b>Starting</b>	Electric 12VDC
<b>Coolant Capacity</b>	9.8 gal. (37 liters)
<b>Lube Oil Capacity</b>	7.7 gal. (29 liters)
<b>Fuel Type</b>	#2 Diesel Fuel
<b>Fuel Tank Capacity</b>	100 gal. (380 liters)
<b>Fuel Consumption</b>	12.63 gal. (47.8 L)/hr at <b>full load</b>
<b>Battery</b>	12V-225 AH x 2

# DCA-220SSVU — DIMENSIONS (TOP, SIDE AND FRONT)

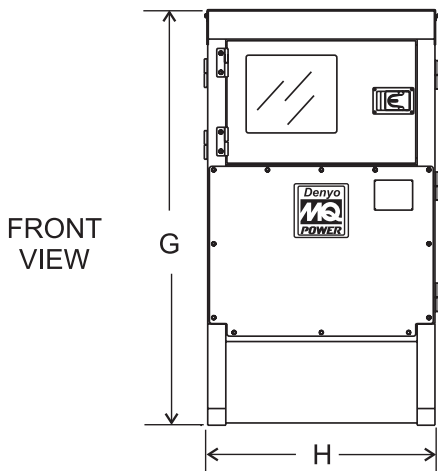
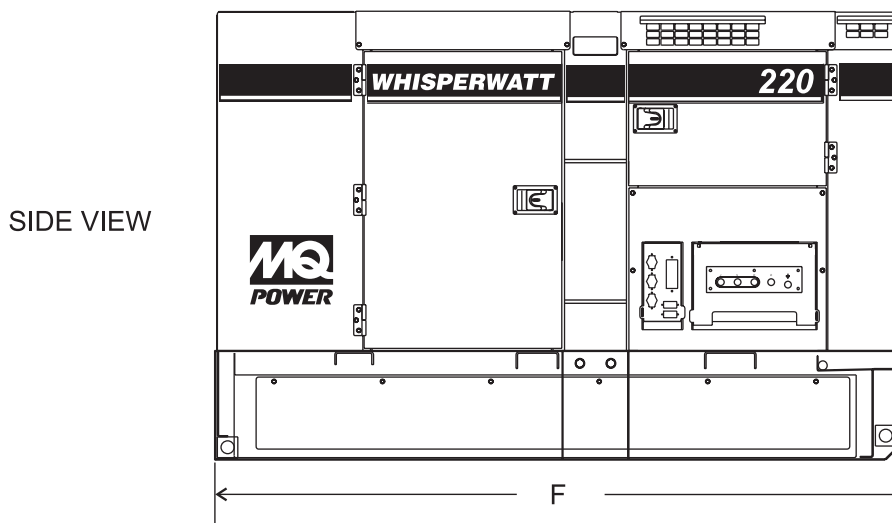
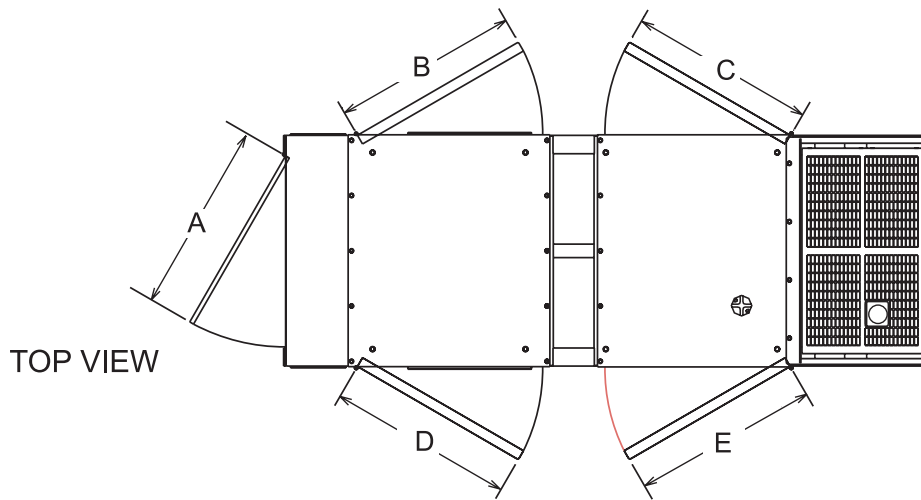


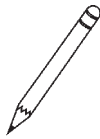
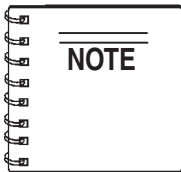
TABLE 3. DIMENSIONS			
Reference Letter	Dimension ft. (mm.)	Reference Letter	Dimension ft. (mm.)
A	42.12 in. (1,070 mm.)	F	143.70 in. (3,650 mm.)
B	40.74 in. (1,035 mm.)	G	68.89 in. (1,750 mm.)
C	39.17 in. (995 mm.)	H	51.18 in. (1,300 mm.)
D	40.74 in. (1,035 mm.)		
E	39.17 in. (995 mm.)		

Figure 1. Dimensions

# DCA-220SSVU — SAFETY MESSAGE ALERT SYMBOLS

## FOR YOUR SAFETY AND THE SAFETY OF OTHERS!

Safety precautions should be followed at all times when operating this equipment. Failure to read and understand the Safety Messages and Operating Instructions could result in injury to yourself and others.



This Owner's Manual has been developed to provide complete instructions for the safe and efficient operation of the MQ Power **Model DCA-220SSVU Whisperwatt™ Generator**.

**Before using this generator, ensure that the operating individual has read and understands all instructions in this manual.**

## SAFETY MESSAGE ALERT SYMBOLS

The three (3) Safety Messages shown below will inform you about potential hazards that could injure you or others. The Safety Messages specifically address the level of exposure to the operator, and are preceded by one of three words: **DANGER**, **WARNING**, or **CAUTION**.

### **DANGER**

You **WILL** be **KILLED** or **SERIOUSLY** injured if you do not follow directions.

### **WARNING**

You **COULD** be **KILLED** or **SERIOUSLY** injured if you do not follow directions.

### **CAUTION**

You **CAN** be injured if you do not follow directions

## HAZARD SYMBOLS

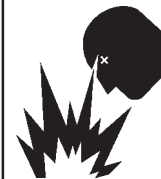
Potential hazards associated with the operation of this equipment will be referenced with "**Hazard Symbols**" which appear throughout this manual, and will be referenced in conjunction with Safety "**Message Alert Symbols**".

### **WARNING - LETHAL EXHAUST GASES**



Gasoline engine exhaust gases contain poisonous carbon monoxide. This gas is colorless and odorless, and can cause **DEATH** if inhaled. **NEVER** operate this equipment in a confined area or enclosed structure that does not provide ample free flow air.

### **WARNING - EXPLOSIVE FUEL**



**Gasoline** is extremely flammable, and its vapors can cause an explosion if ignited. **DO NOT** start the engine near spilled fuel or combustible fluids. **DO NOT** fill the fuel tank while the engine is running or hot.

**DO NOT** overfill tank, since spilled fuel could ignite if it comes into contact with hot engine parts or sparks from the ignition system. Store fuel in approved containers, in well-ventilated areas and away from sparks and flames. **NEVER** use fuel as a cleaning agent.

### **WARNING - BURN HAZARDS**



Engine components can generate extreme heat. To prevent burns, **DO NOT** touch these areas while the engine is running or immediately after operations. **NEVER** operate the engine with heat shields or heat guards removed.

### **DANGER - ELECTROCUTION HAZARDS**

During operation of this generator, there exists the possibility of **electrocution**, **electrical shock or burn**, which can cause **severe bodily harm** or even **DEATH!**





# DCA-220SSVU — SAFETY MESSAGE ALERT SYMBOLS

## WARNING - ROTATING PARTS



**NEVER** operate equipment with covers, or guards removed. Keep **fingers, hands, hair** and clothing away from all moving parts to prevent injury.

## CAUTION - RESPIRATORY HAZARDS



**ALWAYS** wear approved **respiratory** protection.

## CAUTION - ACCIDENTAL STARTING



**ALWAYS** place the **engine ON/OFF** switch (**MPEC**) in the **OFF/RESET** position when the generator is not in use.

## CAUTION - SIGHT AND HEARING HAZARDS



**ALWAYS** wear approved **eye** and **hearing** protection.

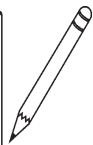
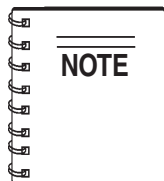
## CAUTION - OVER-SPEED CONDITIONS



**NEVER** tamper with the factory settings of the engine governor or settings. Personal injury and damage to the engine or equipment can result if operating in speed ranges above maximum allowable.

## CAUTION - EQUIPMENT DAMAGE MESSAGES

Other important messages are provided throughout this manual to help prevent damage to your generator, other property, or the surrounding environment.



This generator, other property, or the surrounding environment could be damaged if you do not follow instructions.

# DCA-220SSVU — RULES FOR SAFE OPERATION

## DANGER - READ THIS MANUAL!

Failure to follow instructions in this manual may lead to **serious injury** or even **DEATH!** This equipment is to be operated by trained and qualified personnel only! This equipment is for industrial use only.

The following safety guidelines should always be used when operating the **DCA-220SSVU Whisperwatt™ AC Generator**.

### General Safety:

- **DO NOT** operate or service this equipment before reading this entire manual.



The operator **MUST BE** familiar with proper safety precautions and operations techniques before using generator.

- This equipment should not be operated by persons under 18 years of age.
- **NEVER** operate this equipment without proper protective clothing, shatterproof glasses, steel-toed boots and other protective devices required by the job.



- **NEVER** operate this equipment when not feeling well due to fatigue, illness or taking medicine.
- **NEVER** operate this equipment under the influence or drugs or alcohol.



- **NEVER** use accessories or attachments, which are not recommended by MQ Power for this equipment. Damage to the equipment and/or injury to user may result.
- Manufacturer does not assume responsibility for any accident due to equipment modifications. Unauthorized equipment modification will void all warranties.
- Whenever necessary, replace nameplate, operation and safety decals when they become difficult read.

- **ALWAYS** check the machine for loosened threads or bolts before starting.

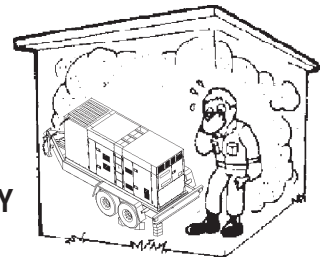
- **NEVER** operate the generator in an explosive atmosphere or near combustible materials. An explosion or fire could result causing severe **bodily harm or even death**.

- **NEVER** touch the hot exhaust manifold, muffler or cylinder. Allow these parts to cool before servicing engine or generator.



- **High Temperatures** – Allow the engine to cool before performing service and maintenance functions. Contact with **hot!** components can cause serious burns.

- The engine of this generator requires an adequate free flow of cooling air. **NEVER** operate the generator in any enclosed or narrow area where free flow of the air is restricted. If the air flow is restricted it will cause serious damage to the generator or engine and may cause injury to people. The generator engine gives off **DEADLY** carbon monoxide gas.



- **DO NOT** place hands or fingers inside generator engine compartment when engine is running.
- **NEVER** run engine without air filter. Severe engine damage may occur.
- **DO NOT** leave the generator running in the **manual mode** unattended.
- Refer to the **VOLVO Engine Owner's Manual** for engine technical questions or information.
- **ALWAYS** store equipment properly when it is not being used. Equipment should be stored in a clean, dry location out of the reach of children.

## Generator Grounding

To guard against electrical shock and possible damage to the equipment, it is important to provide a good **EARTH** ground.

Article 250 (Grounding) of the **National Electrical Code** (NEC) provides guide lines for proper grounding and specifies that the cable ground shall be connected to the grounding system of the building as close to the point of cable entry as practical.

The following safety recommendations should also be followed:

- **ALWAYS** make sure generator is properly grounded.
- **NEVER** use gas piping as an electrical ground.
- **ALWAYS** make sure that electrical circuits are properly **grounded** per the **National Electrical Code** (NEC) and local codes before operating generator. Severe **injury** or **DEATH!** by electrocution can result from operating an ungrounded generator.
- **ALWAYS** be sure to use the ground terminal (green wire) when connecting a load to the U,V, and W output terminal lugs.

## Electrical Safety

- **ALWAYS** have a qualified electrician perform the generator wiring installation.
- **ALWAYS** make sure generator installation is accordance with the **National Electrical Code** (NEC) and local codes before operating generator.
- **NEVER** use a defective or frayed power cable. Check the cable for cuts in the insulation.
- **NEVER** use a extension cord that is frayed or damaged where the insulation has been cut.
- **ALWAYS** make certain that proper extension cord has been selected for the job. See Table 6.
- **NEVER** power cables or cords **lay in water**.
- **NEVER stand in water** while AC power from the generator is being transfer to a load.

## ⚠ DANGER - ELECTROCUTION HAZARDS

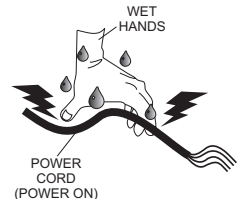
During operation of this generator, there exists the possibility of **electrocution**, **electrical shock or burn**, which can cause **severe bodily harm** or even **DEATH!**



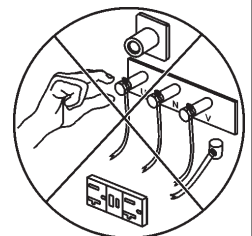
To avoid these hazards:

**NEVER** use damaged or worn cables when connecting equipment to the generator. Make sure power connecting cables are securely connected to the generator's output terminals, insufficient tightening of the terminal connections may cause damage to the generator and electrical shock.

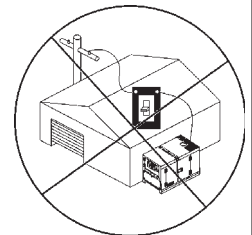
**NEVER** grab or touch a live power cord with wet hands.



**NEVER** touch output terminals during operation. This is extremely dangerous. **ALWAYS** stop the machine and place the circuit breaker in the **OFF** position when contact with the output terminals is required.



Backfeed to a utility system can cause **electrocution** and or property damage. **DO NOT** connect to any building's electrical system except through an approved device or after building main switch is opened. **ALWAYS** have a licensed electrician perform the installation



# DCA-220SSVU — RULES FOR SAFE OPERATION

## Maintenance Safety

- The electrical voltage required to operate the generator can cause severe injury or even death through physical contact with live circuits. Turn all circuit breakers **OFF** before performing maintenance on the generator.
- **NEVER** lubricate components or attempt service on a running machine.
- **ALWAYS** disconnect the **NEGATIVE battery terminal** before performing service on the generator.
- Follow all Battery Safety Guidelines listed in this manual when handling or servicing the generator.
- **ALWAYS** allow the machine a proper amount of time to cool before servicing.
- Keep the machinery in proper running condition.
- Fix damage to the machine immediately and always replace broken parts.
- **ALWAYS** service air cleaner frequently to prevent engine malfunction.

## WARNING - BURN HAZARDS

To prevent burns, **DO NOT** touch or open any of the below mentioned components while the engine is running or immediately after operations. Always allow sufficient time for the engine and generator to cool before performing maintenance.



- **Radiator Cap** - Removing the radiator cap while the engine is hot will result in high pressurized, boiling water to gush out of the radiator, causing severe scalding to any persons in the general area of the generator.
- **Coolant Drain Plug** - Removing the coolant drain plug while the engine is hot will result in hot coolant gushing out of the coolant drain plug, therefore causing severe scalding to any persons in the general area of the generator.
- **Engine Oil Drain Plug** - Removing the engine oil drain plug while the engine is hot will result in hot oil gushing out of the oil drain plug, therefore causing severe scalding to any persons in the general area of the generator.

## Battery Safety

Use the following guidelines when handling the battery:

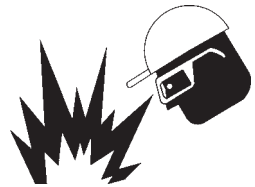
- The battery contains acids that can cause injury to the eyes and skin. To avoid eye irritation, **always** wear safety glasses.
- Use well insulated gloves when picking up the battery.



## DANGER - EXPLOSION HAZARDS

The risk of an explosion exists when performing service on the battery. To avoid **severe injury** or **DEATH**:

- **DO NOT** drop the battery. There is the possibility of risk that the battery may explode.
- **DO NOT** expose the battery to open flames, sparks, cigarettes etc. The battery contains combustible gases and liquids. If these gases and liquids come in contact with a flame or spark, an explosion could occur.



- **ALWAYS** keep the battery charged. If the battery is not charged a buildup of combustible gas will occur.
- **ALWAYS** keep battery charging and cables in good working condition. Repair or replace all worn cables.
- **ALWAYS** recharge the battery in a vented air environment, to avoid risk of a dangerous concentration of combustible gases.
- In case the battery liquid (dilute sulfuric acid) comes in contact with **clothing or skin**, rinse skin or clothing immediately with plenty of water.
- In case the battery liquid (dilute sulfuric acid) comes in contact with your **EYES**, rinse eyes immediately with plenty of water and contact the nearest doctor or hospital to seek medical attention.

# DCA-220SSVU — RULES FOR SAFE OPERATION

## Towing & Transporting Safety

To reduce the possibility of an accident while transporting the generator on public roads, always make sure the trailer that supports the generator and the towing vehicle are in good operating condition and both units are mechanically sound.

The following list of safety precautions should be followed when towing your generator:

### CAUTION - FOLLOW TOWING REGULATIONS

Check with your local county or state safety towing regulations, in addition to meeting **Department of Transportation (DOT) Safety Towing Regulations**, before towing your generator.

- **ALWAYS** shutdown engine before transporting.
- Tighten both fuel tank caps securely.
- If generator is mounted on a trailer, make sure trailer complies with all local and state safety transportation laws. Follow the listed **Towing & Transporting Safety** guidelines for basic towing techniques.
- Make sure the hitch and coupling of the towing vehicle are rated equal to, or greater than the trailer "gross vehicle weight rating."
- **ALWAYS** inspect the hitch and coupling for wear. **NEVER** tow a trailer with defective hitches, couplings, chains etc.
- Check the tire air pressure on both towing vehicle and trailer. **Trailer tires should be inflated to 50 psi cold.** Also check the tire tread wear on both vehicles.
- **ALWAYS** make sure the trailer is equipped with a "Safety Chain".
- **ALWAYS** attach trailer's safety chains to towing vehicle properly.
- **ALWAYS** make sure the vehicle and trailer directional, backup, brake, and trailer lights are connected and working properly.
- DOT Requirements include the following:
  - Connect and test electric brake operation.
  - Secure portable power cables in cable tray with tie wraps.

- The maximum speed for highway towing is **55 MPH** unless posted otherwise. Recommended off-road towing is not to exceed **15 MPH** or less depending on type of terrain.
- Place **chock blocks** underneath wheel to prevent **rolling**, while parked.
- Use the trailer's swivel jack to adjust the trailer height to a level position while parked.
- Avoid sudden stops and starts. This can cause skidding, or jack-knifing. Smooth, gradual starts and stops will improve towing.
- Avoid sharp turns.
- Trailer should be adjusted to a level position at all times when towing.
- Raise and lock trailer wheel stand in up position when transporting.
- The maximum speed for highway towing is **55 MPH** unless posted otherwise. Recommended off-road towing is not to exceed **15 MPH** or less depending on type of terrain.
- Place **support blocks** underneath the trailer's bumper to prevent **tipping**, while parked.
- Avoid sharp turns to prevent rolling.
- **DO NOT** transport generator with fuel in tank.

## Emergencies

- **ALWAYS** know the location of the nearest **fire extinguisher**.
- **ALWAYS** know the location of the nearest and **first aid kit**.
- **ALWAYS** know the location of the nearest phone or **keep a phone on the job site**, in case of emergencies.
- **ALWAYS** have easy access to the phone numbers of the nearest **Ambulance, Doctor** and **Fire Department**. This information will be invaluable in the case of an emergency.





# DCA-220SSVU — GENERATOR DECALS

The DCA-220SSVU generator is equipped with a number of safety decals (Figures 2 & 3). These decals are provided for operator safety and maintenance information. The illustration below and on the preceding page show the decals as they appear on the machine. Should any of these decals become unreadable, replacements can be obtained from your dealer.

**OPERATING PROCEDURES**

**Manual Starting**

1. Check the engine oil, coolant, and fuel levels. Replenish if necessary.
2. Place all Generator Circuit Breakers in the "OFF" position and close all doors.
3. Check that the Voltage select switch (or the Voltage change-over board) is present at desired voltage.  
(In case of generator having multiple voltage ratings.)
4. Set the Engine speed switch to the "LOW" position.
5. Turn the Auto-Off/Reset-Manual switch to the "Manual" position to start the engine. If the engine fails to start in the specified number of attempts, the overcrank lamp will indicate and the Auto-Off/Reset-Manual switch must be returned to the "Off/Reset" position before proceeding.
6. When the engine is ready for starting during cold weather operating conditions, push the water heater button for approximately 30 seconds. Start engine using the Auto-Off/Reset-Manual switch to the "Manual" position. As soon as the engine starts, release the button.  
If the engine still does not start, utilize the water heater until water is warm. (If additional water heater is supplied.)
7. After starting, allow the engine to run for 1 or 2 minutes to warm-up. At temperatures below freezing, this time period must be extended to 2 to 4 minutes.
8. When the engine starts, immediately check for abnormal noise, vibration, fluid leakage or any indication of a problem. Check the control panel gauges. If all is normal, let the engine remain at the "Low" position for a short time, depending on the ambient conditions, warm up.
9. After sufficient warm-up time has elapsed, set the Engine speed switch to the "High" position and the unit is ready for operation.
10. Check the NO-Load speed as shown in the table below.  
60Hz operation—Approx. 60.0Hz (1800rpm)
11. Adjust the Voltage Regulator to the specified voltage.

**Manual Stopping**

1. Place the Generator Circuit Breakers in the "OFF" position.
2. Set the Engine speed switch to the "LOW" position, and allow the unit to cool for a few minutes.
3. Turn the Auto-Off/Reset-Manual switch, to the "Off/Reset" position.

**Auto Starting/Stopping**

1. With the Auto/Manual switch in the Auto position, the Auto Starting/Stopping controller monitors remote start contacts. Closure of the remote start contacts will begin engine cranking. When the contacts are opened cranking will stop. If cranking the engine will stop. All functions for the Automatic shutdown System work as in Manual Starting/stopping.
2. For cold weather conditions utilize the water heater until water is warm. If the engine still does not start, please operate as in Manual Starting.

**Emergency Stopping**

1. Place the Generator Circuit Breakers in the "OFF" position.
2. Turn the Auto-Off/Reset-Manual switch to the "Off/Reset" position.

M35200010

P/N M3552000103

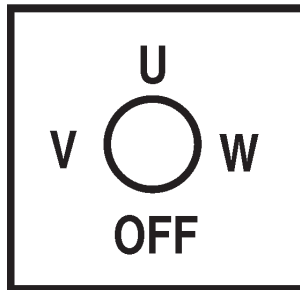
**SAFETY INSTRUCTIONS**

Improper operation of this machine can cause severe injury or death.

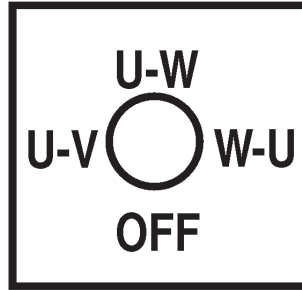
- Read the instruction manual carefully before operating or servicing. This machine should only be operated by a person with sufficient knowledge and skill to ensure safe operation. High voltage circuits are located inside the output terminal cover and control panel.
- Close the cover and control panel before operating. Moving parts and hot surfaces are contained within the enclosure.
- Close all doors and lock them before operating.

M92010030

P/N M9520100304



P/N M9520000104



P/N M9520000204



P/N M950000004



P/N M9510200002

**OVER CURRENT RELAY**

If it is Impossible to reset the CIRCUIT BREAKER, open the control panel and push the RESET BUTTON as below.

M92020010

P/N M9520200104



P/N M9500300104



P/N M9500300004




P/N M9500500004



P/N M9503000103


Figure 2. Generator Decals

# DCA-220SSVU — GENERATOR DECALS

	<b>⚠ WARNING</b>	<b>⚠ WARNING</b>	<b>⚠ WARNING</b>
	<b>ELECTRIC SHOCK HAZARD</b> <ul style="list-style-type: none"> <li>Do not touch output terminals when this machine is operating.</li> <li>Turn power off before servicing</li> </ul>	<b>ELECTRIC SHOCK HAZARD</b> <ul style="list-style-type: none"> <li>Always complete the grounding path from the ground terminal on this genset to an external grounding source. See instruction manual for details.</li> </ul>	<ul style="list-style-type: none"> <li>Before connecting this generator to any building's electrical system, a licensed electrician must install an isolation (transfer) switch.</li> <li>Serious injury or death may result without this transfer switch</li> </ul>


M9520 100503

P/N M9520100503

	<b>⚠ WARNING</b>
	<b>HOT COOLANT</b> can cause severe burns. <ul style="list-style-type: none"> <li>Do not remove cap if radiator is hot.</li> </ul>

M90310000

P/N M9503100004

	<b>⚠ WARNING</b>
	<b>ENGINE EXHAUST</b> can cause severe injury or death. <ul style="list-style-type: none"> <li>Use only in open, well ventilated areas or vent exhaust outside.</li> </ul>

M90320000

P/N M9503200004

<b>DANGER</b>
<b>HIGH VOLTAGE</b>


M9520100401

P/N M9520100404

<b>⚠ CAUTION</b>
Stop engine before switching

M9520100204

P/N M9520100204

	<b>⚠ CAUTION</b>
	<b>MOVING PARTS</b> can cause severe injury. <ul style="list-style-type: none"> <li>Do not operate with doors open.</li> <li>Stop engine before servicing.</li> </ul>


M90300000

P/N M9503000004

<b>NOTE</b>
To use 50 amp receptacles, adjust the voltage selector switch to the single phase position and the main line circuit breaker to the on position.


P/N M1500020

P/N M1550000204


	<b>⚠ CAUTION</b>
	<b>HOT PARTS</b> can burn skin. <ul style="list-style-type: none"> <li>Do not touch until the machine has sufficiently cooled.</li> </ul>

M91010000

P/N M9510100004

	<b>⚠ WARNING</b>
	<b>ELECTRIC SHOCK HAZARD</b> <ul style="list-style-type: none"> <li>Do not touch output terminals while this machine is operating.</li> <li>Turn power off before servicing.</li> </ul>

P/N M9520100503

	<b>⚠ WARNING</b>
	<b>ELECTRIC SHOCK HAZARD</b> <ul style="list-style-type: none"> <li>Do not touch internal wiring or connections while this machine is operating.</li> <li>Turn power off before servicing.</li> </ul>

M92010000

P/N M9520100004

<b>⚠ CAUTION</b>
This machine stops and starts Automatically and without notice.

P/N B15200010

P/N B15200010

Figure 3. Generator Decals (Cont inued)

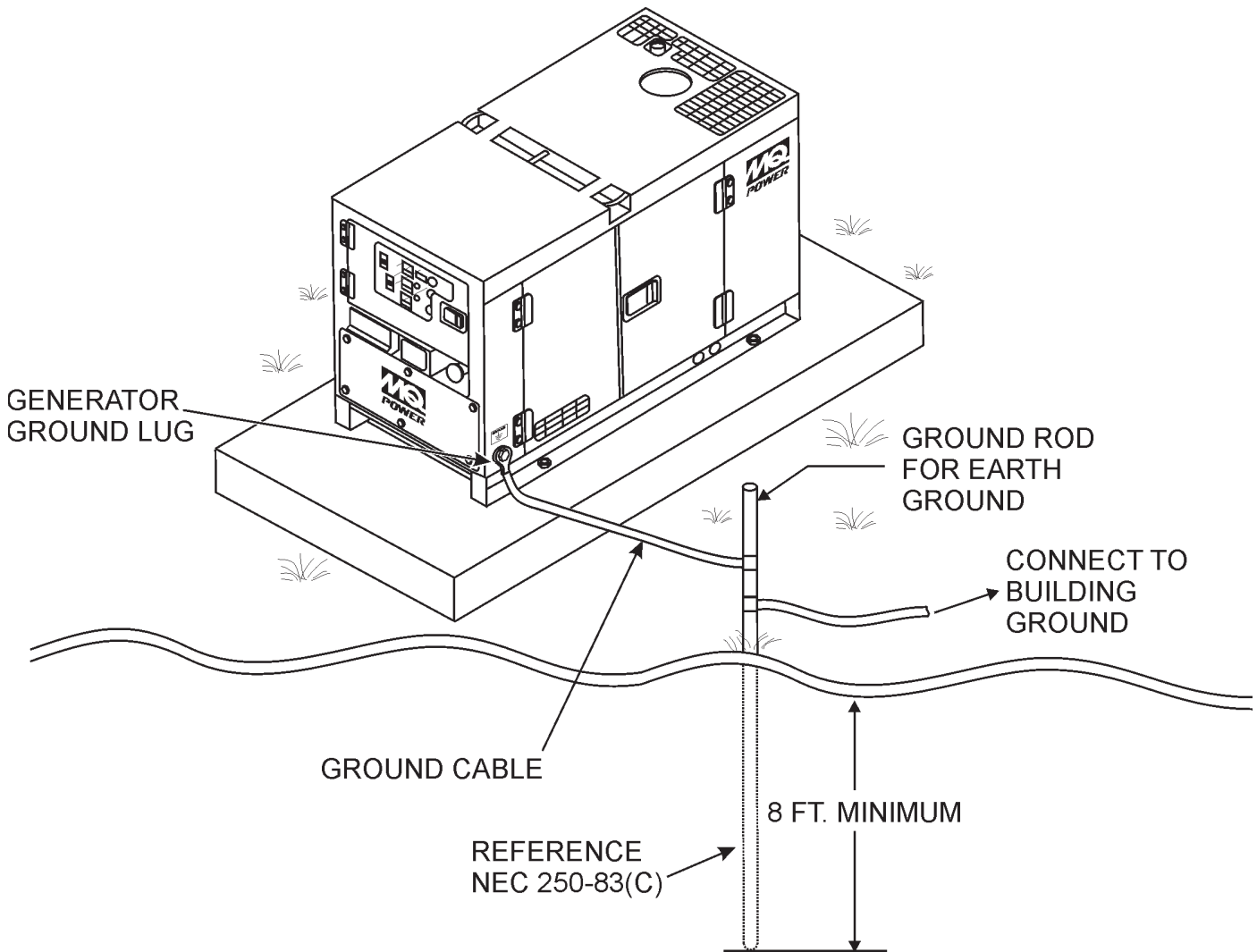


Figure 4. Typical Generator Grounding Application



## Outdoor Installation

Install the generator in a area that is free of debris, bystanders, and overhead obstructions. Make sure the generator is on secure level ground so that it cannot slide or shift around. Also install the generator in a manner so that the exhaust will not be discharged in the direction of nearby homes.

The installation site must be relatively free from moisture and dust. All electrical equipment should be protected from excessive moisture. Failure to do will result in deterioration of the insulation and will result in short circuits and grounding.

Foreign materials such as dust, sand, lint and abrasive materials have a tendency to cause excessive wear to engine and alternator parts.

### CAUTION - EXHAUST HAZARD

Pay close attention to ventilation when operating the generator inside tunnels and caves. The engine exhaust contains noxious elements. Engine exhaust must be routed to a ventilated area.

## Indoor Installation

Exhaust gases from diesel engines are extremely poisonous. Whenever an engine is installed indoors the exhaust fumes must be vented to the outside. The engine should be installed at least two feet from any outside wall. Using an exhaust pipe which is too long or too small can cause excessive back pressure which will cause the engine to heat excessively and possibly burn the valves.

## Mounting

The generator must be mounted on a solid foundation (such as concrete) and set firmly on the foundation to isolate vibration of the generator when it is running. The generator must set at least 6 inches above the floor or grade level (in accordance to NFPA 110, Chapter 5-4.1). **DO NOT** remove the metal skids on the bottom of the generator. They are to resist damage to the bottom of the generator and to maintain alignment.

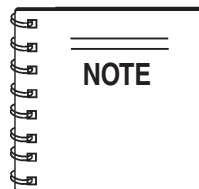
## Generator Grounding

To guard against electrical shock and possible damage to the equipment, it is important to provide a good **EARTH** ground.

Article 250 (Grounding) of the National Electrical Code (NEC) provides guide lines for proper grounding and specifies that the cable ground shall be connected to the grounding system of the building as close to the point of cable entry as practical.

NEC articles 250-64(b) and 250-66 set the following grounding requirements:

1. Use one of the following wire types to connect the generator to earth ground.
  - a. Copper - 10 AWG (5.3 mm<sup>2</sup>) or larger.
  - b. Aluminum - 8 AWG (8.4 mm<sup>2</sup>) or larger.
2. When grounding the generator (Figure 4) connect the ground cable between the lock washer and the nut on the generator and tighten the nut fully. Connect the other end of the ground cable to earth ground.
3. NEC article 250-52(c) specifies that the earth ground rod should be buried a minimum of 8 ft. into the ground.



When connecting the generator to any buildings electrical system **ALWAYS** consult with a licensed electrician.

## DCA-220SSVU Whisperwatt™ Series Familiarization

### Generator

The MQ Power Model DCA-220SSVU is a 176 kW **generator** (Figure 5) that is designed as a high quality portable (requires a trailer for transport) power source for telecom sites, lighting facilities, power tools, submersible pumps and other industrial and construction machinery.

### Engine Operating Panel

The "Engine Operating Panel" is provided with the following:

- Tachometer
- Water Temperature Gauge
- Oil Pressure Gauge
- Charging Ammeter Gauge
- Fuel Level Gauge
- Pre-Heat Button
- Engine Speed Switch
- Panel Light/Panel Light Switch
- Auto ON/OFF Engine Controller (MPEC)
- Coolant Level Alarm Lamp

### Generator Control Panel

The "Generator Control Panel" is provided with the following:

- Frequency Meter (Hz)
- AC Ammeter (Amps)
- AC Voltmeter (Volts)
- Ammeter Change-Over Switch
- Voltmeter Change-Over Switch
- Voltage Regulator
- 3-Pole, 600 amp Main Circuit Breaker
- "Control Box" (located behind the Gen. Control Panel)
  - Automatic Voltage Regulator
  - Current Transformer
  - Over-Current Relay
  - Voltage Rectifier
  - Starter Relay
  - Engine Controller (Computer Controlled)
  - Voltage Selector Switch

### Output Terminal Panel

The "Output Terminal Panel" is provided with the following:

- Three 120/240V output receptacles (CS-6369), 50A
- Three auxiliary circuit breakers, 50A
- Two 120V output receptacles (GFCI), 20A
- Two GFCI circuit breakers, 20A
- Five output terminal lugs (3Ø power)
- Battery Charger (Optional)
- Water Heater (Optional)

### Open Delta Excitation System

The DCA-220SSVU generator is equipped with the state of the art "**Open-Delta**" excitation system. The open delta system consist of an electrically independent winding wound among stationary windings of the AC output section.

There are four connections of the open delta A, B, C and D. During steady state loads, the power from the voltage regulator is supplied from the parallel connections of A to B, A to D, and C to D. These three phases of the voltage input to the voltage regulator are then rectified and are the excitation current for the exciter section.

When a heavy load, such as a motor starting or a short circuit occurs, the automatic voltage regulator (AVR) switches the configuration of the open delta to the series connection of B to C. This has the effect of adding the voltages of each phase to provide higher excitation to the exciter section and thus better voltage response during the application of heavy loads.

The connections of the AVR to the AC output windings are for sensing only. No power is required from these windings.

The open-delta design provides virtually unlimited excitation current, offering maximum motor starting capabilities. The excitation does not have a "**fixed ceiling**" and responds according the demands of the required load.

### Engine

The **DCA-220SSVU** is powered by a 6 cylinder, water cooled, direct injection, turbocharged **VOLVO Model PENTA TAD520GE Diesel Engine**. This engine is designed to meet every performance requirement for the generator. Reference Table 1 for engine specifications.

In keeping with MQ Power's policy of constantly improving its products, the specifications quoted herein are subject to change without prior notice.

### Electric Governor System

The electric governor system controls the RPMs of the engine. When the engine demand increases or decreases, the governor system regulates the frequency variation to  $\pm 0.25\%$ .

### Extension Cables

When electric power is to be provided to various tools or loads at some distance from the generator, extension cords are normally used. Cables should be sized to allow for distance in length and amperage so that the voltage drop between the generator and point of use (load) is held to a minimum. Use the cable selection chart (Table 6) as a guide for selecting proper extension cable size.

# DCA-220SSVU — MAJOR COMPONENTS

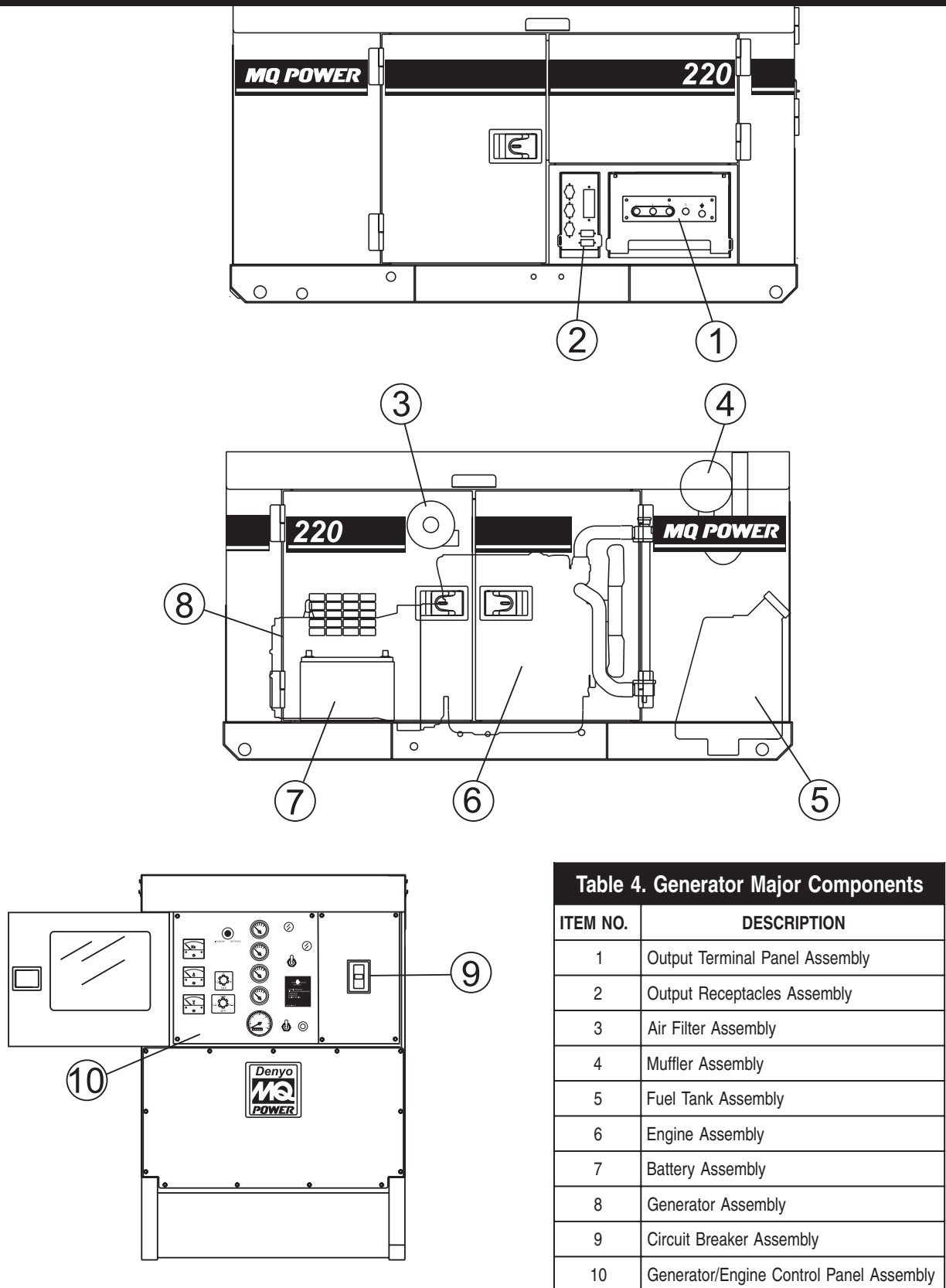


Figure 5. Major Components



# DCA-220SSVU — GENERATOR CONTROL PANEL

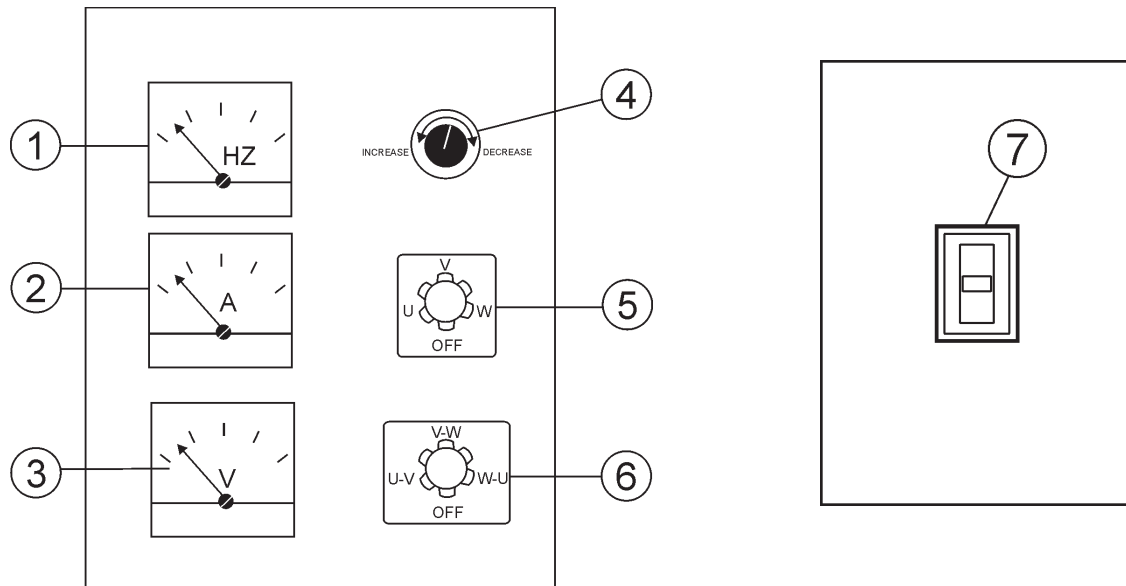


Figure 6. Generator Control Panel

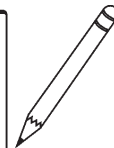
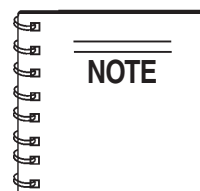
The definitions below describe the controls and functions of the DCA-220SSVU **Generator Control Panel** (Figure 6).

1. **Frequency Meter** – Indicates the output frequency in hertz (Hz). Normally 60 Hz.
2. **AC Ammeter** – Indicates the amount of current the load is drawing from the generator per leg selected by the ammeter phase-selector switch.
3. **Ammeter Change-Over Switch** – This switch allows the AC ammeter to indicate the current flowing to the load connected to any phase of the output terminals, or to be switched off. This switch does not effect the generator output in any fashion, it is for current reading only.
4. **Voltage Regulator Control** – Allows  $\pm 15\%$  manual adjustment of the generator's output voltage.
5. **AC Voltmeter** – Indicates the output voltage present at the **U, V, and W Output Terminal Lugs**.
6. **Voltmeter Change-Over Switch** – This switch allows the AC voltmeter to indicate phase to phase voltage between any two phases of the output terminals or to be switched off.
7. **Main Circuit Breaker** – This three-pole, 600A main breaker is provided to protect the the **U, V, and W Output Terminal Lugs** from overload.

Located behind the generator control panel is the **Generator Control Box**. This box contains some of the necessary electronic components required to make the generator function.

The **Control Box** is equipped with the following major components:

- Over-Current Relay
- Voltage Rectifier (AVR)
- Starter Relay
- Current Transformer
- Voltage Selector Switch
- Three Phase Circuit Breaker



Remember the **overcurrent relay** monitors the current flowing from the **U, V, and W Output Terminal Lugs** to the load.

In the event of a short circuit or over current condition, it will automatically trip the 600 amp main breaker.

To restore power to the **Output Terminal Panel**, press the **reset** button on the overcurrent relay and place the **main** circuit breaker in the **closed** position (**ON**).

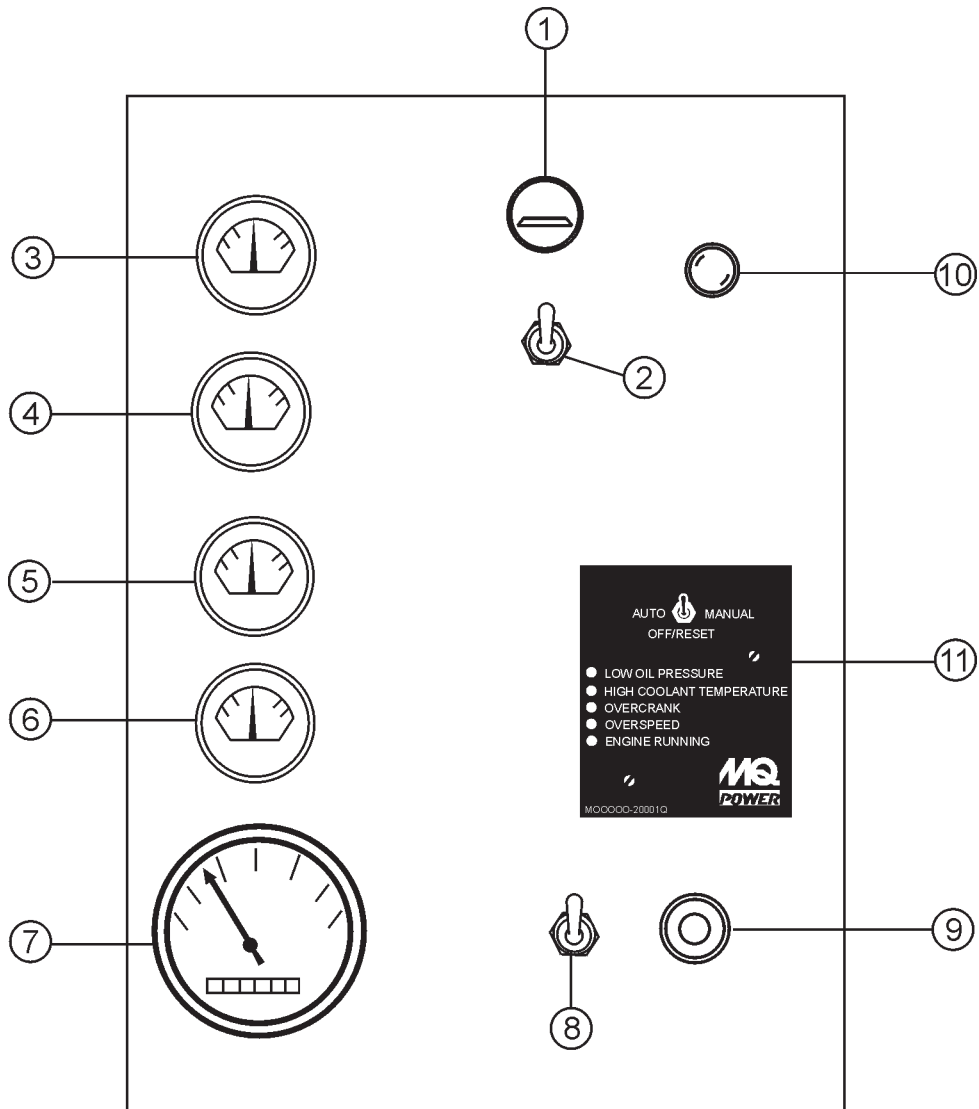


Figure 7. Engine Operating Panel

# DCA-220SSVU — ENGINE OPERATING PANEL

The definitions below describe the controls and functions of the DCA-220SSVU **Engine Operating Panel** (Figure 7).

1. **Panel Light** – Normally used in dark areas or at night time. When activated, panel lights will illuminate. When the generator is not in use be sure to turn the panel light switch to the **OFF** position.
2. **Panel Light Switch** – When activated will turn on control panel light.
3. **Oil Pressure Gauge** – During normal operation this gauge be should read between 44 to 73 psi. (303~503 kPa). When starting the generator the oil pressure may read a little higher, but after the engine warms up the oil pressure should return to the correct pressure range.
4. **Water Temperature Gauge** – During normal operation this gauge be should read between 165° and 203°F.
5. **Charging Ammeter Gauge** – Indicates the current being supplied by the engine's alternator which provides current for generator's control circuits and battery charging system.
6. **Fuel Gauge** - Indicates amount of diesel fuel available.
7. **Tachometer** – Indicates engine speed in RPM's for 60 Hz operation. This meter should indicate 1800 RPM's when the rated load is applied. In addition a built in hour meter will record the number of operational hours that the generator has been in use.
8. **Engine Speed Switch** – This switch controls the speed of the engine (low/high).
9. **Pre-Heat Button** – Press and hold this button for 50 seconds to warm (cold weather) the engine glow plugs.
10. **Coolant Alarm Lamp** – This lamp will illuminate when the coolant level falls below a safe operating level.
11. **Auto On/Off Engine Controller (MPEC)** – This controller has a vertical row of status LED's (inset), that when lit, indicate that an engine malfunction (fault) has been detected. When a fault has been detected the engine controller will evaluate the fault and all major faults will shutdown the generator. During **cranking cycle**, The MPEC will attempt to crank the engine for 10 seconds before disengaging.



If the engine does not engage (start) by the third attempt, the engine will be shutdown by the engine controller's **Over Crank Protection** mode. If the engine engages at a speed (RPM's) that is not safe, the controller will shutdown the engine by initializing the **Over Speed Protection** mode.

Also the engine controller will shut down the engine in the event of low oil pressure, high coolant temperature, low coolant level, and loss of magnetic pickup. These conditions can be observed by monitoring the **LED** status indicators on the front of the controller module.

**A. MPEC Control Switch** – This switch controls the running of the unit. If this switch is set to the **OFF/RESET** position, the unit will not run. When this switch is set to the **MANUAL** position, the generator will start immediately.

If the generator is to be connected to a building's AC power source via a transfer switch (isolation), place the switch in the **AUTO** position. In this position the generator will monitor the AC line output from the building's power source.

**B. Low Oil Pressure** – Indicates the engine pressure has fallen below 15 psi. The oil pressure is detected using variable resistive values from the oil pressure sending unit. This is considered a **major** fault.

**C. High Coolant Temperature** – Indicates the engine temperature has exceeded 239°F. The engine temperature is detected using variable resistive values from the temperature sending unit. This is considered a **major** fault.

**D. Overcrank Shutdown** – Indicates the unit has attempted to start a pre-programmed number of times, and has failed to start. The number of cycles and duration are programmable. It is pre-set at 3 cycles with a 10 second duration. This is considered a **major** fault.

**E. Overspeed Shutdown** – Indicates the engine is running at an unsafe speed. This is considered a **major** fault.

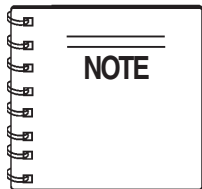
**F. Engine Running** – Indicates that engine is running at a safe operating speed.



# DCA-220SSVU — OUTPUT TERMINAL PANEL FAMILIARIZATION

## Output Terminal Panel

The **Output Terminal Panel** (Figure 8) shown below is located on the right-hand side (left from control panel) of the generator. Lift up on the cover to gain access to receptacles and terminal lugs.



Terminal legs "O" and "Ground" are considered **bonded grounds**.

## Output Terminal Familiarization

The "**Output Terminal Panel**" (Figure 8) is provided with the following:

- Three (3) 120/240V output receptacles @ 50 amp
- Three (3) Circuit Breakers @ 50 amps
- Two (2) 100V GFCI receptacles @ 20 amp
- Two (2) GFCI Circuit Breakers @ 20 amps
- Five (5) Output Terminal Lugs ( U, V, W, O, Ground)

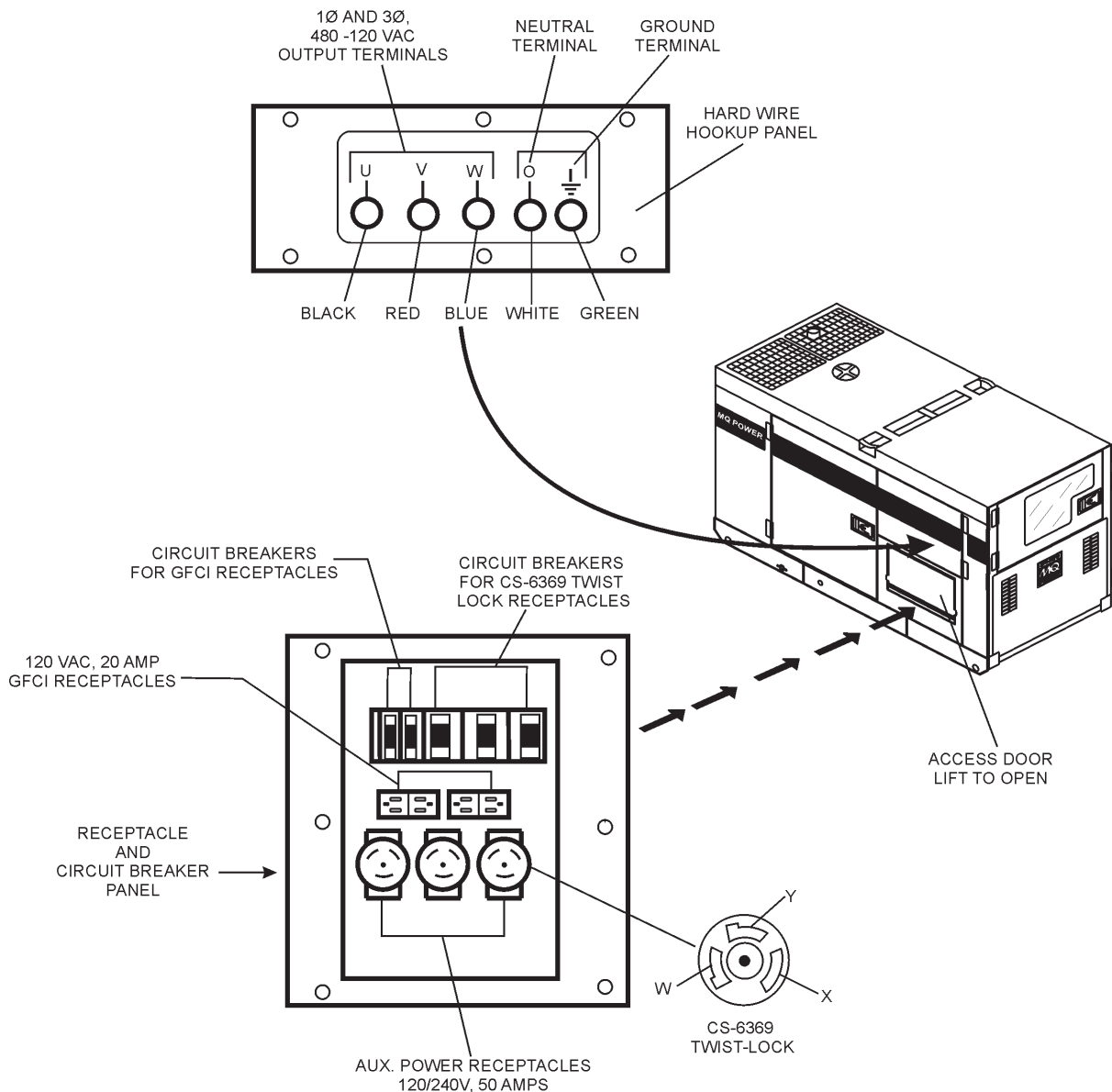


Figure 8. Output Terminal Panel



# DCA-220SSVU — OUTPUT TERMINAL PANEL FAMILIARIZATION

## 100 VAC GFCI Receptacles

There are two 120 VAC, 20 amp GFCI (Duplex Nema 5-20R) receptacles provided on the output terminal panel. These receptacles can be accessed in **any voltage selector switch** position. Each receptacle is protected by a 20 amp circuit breaker. These breakers are located directly above the GFCI receptacles. Remember the load output (current) of both GFCI receptacles is dependent on the load requirements of the U, V, and W output terminal lugs.

Pressing the **reset** button resets the GFCI receptacle after being tripped. Pressing the **Test Button** (See Figure 9) in the center of the receptacle will check the GFCI function. Both receptacles should be tested at least once a month.

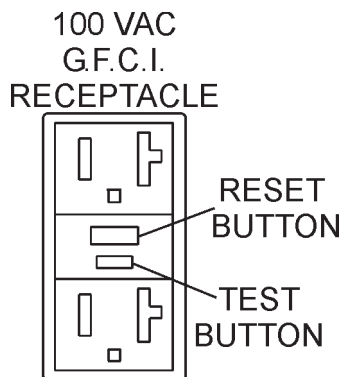


Figure 9. G.F.C.I. Receptacle

## Twist Lock Dual Voltage 120/240 VAC Receptacles

There are three 120/240V, 50 amp auxilliary twist-lock (CS-6369) receptacles (Figure 10) provided on the output terminal panel. These receptacles can **only** be accessed when the voltage selector switch is placed in the **single-phase 240/120 position**.

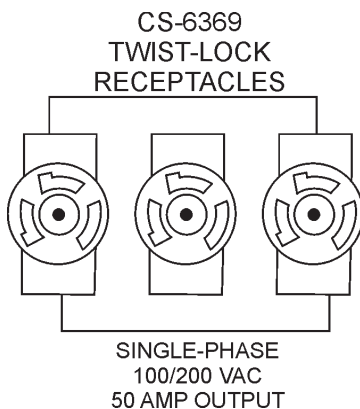


Figure 10. 120/240V Twist-Lock Auxiliary Receptacles

Each auxilliary receptacle is protected by a 50 amp circuit breaker. These breakers are located directly above the GFCI receptacles. Remember the load output (current) on all three receptacles is dependent on the load requirements of the **Output Terminal Lugs**.

Turn the **voltage regulator control knob** (Figure 11) on the control panel to obtain the desired voltage. Turning the knob clockwise will **increase** the voltage, turning the knob counter-clockwise will **decrease** the voltage.



Figure 11. Voltage Regulator Control Knob

## Removing the Plastic Face Plate (Hard Wire Hookup Panel)

The **Output Terminal Lugs** are protected by a plastic face plate cover (Figure 12). Un-screw the securing bolts and lift the plastic terminal cover to gain access to the terminal enclosure.

After the load wires have been securely attached to the terminal lugs, reinstall the plastic face plate.

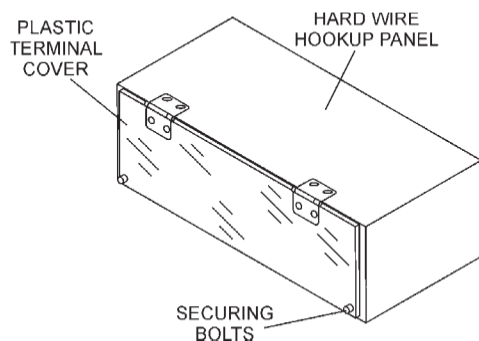


Figure 12. Plastic Face Plate (Output Terminal Lugs)

# DCA-220SSVU — OUTPUT TERMINAL PANEL FAMILIARIZATION

## Connecting Loads

Loads can be connected to the generator by the **Output Terminal Lugs** or the convenience receptacles (Figure 13). Make sure to read the operation manual before attempting to connect a load to the generator.

To protect the output terminals from overload, a 3-pole, 600A **main** circuit breaker is provided. Make sure to switch **ALL** circuit breakers to the **OFF** position prior to starting the engine.

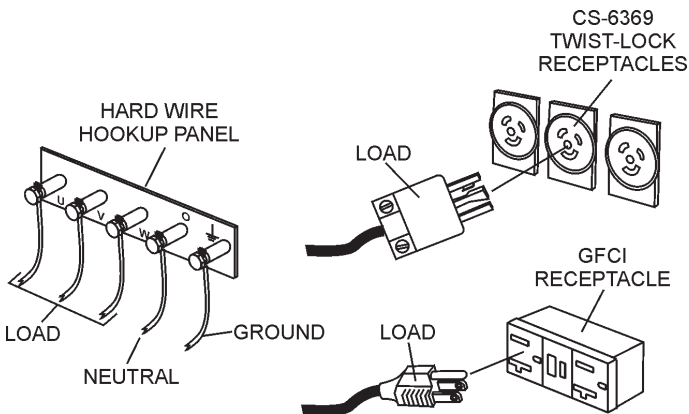


Figure 13. Connecting Loads

## Over Current Relay

An **over current relay** (Figure 14) is connected to the main circuit breaker. In the event of an overload, both the circuit breaker and the over current relay may trip. If the circuit breaker can not be reset, the **reset button** on the over current relay must be pressed. The over current relay is located in the control box.

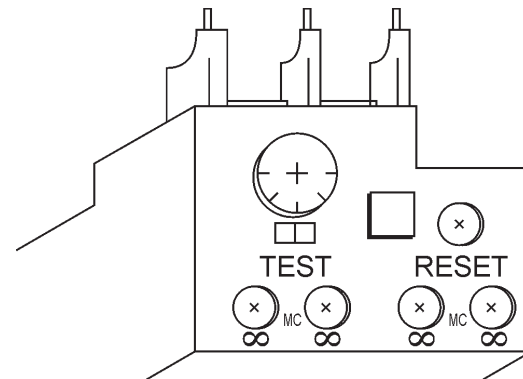


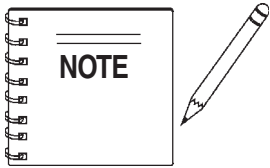
Figure 14. Over Current Relay

# DCA-220SSVU — LOAD APPLICATION

## Single Phase Load

Always be sure to check the nameplate on the generator and equipment to insure the wattage, amperage, frequency, and voltage requirements are satisfactorily supplied by the generator for operating the equipment.

Generally, the wattage listed on the nameplate of the equipment is its rated output. Equipment may require 130—150% more wattage than the rating on the nameplate, as the wattage is influenced by the efficiency, power factor and starting system of the equipment.



If wattage is not given on the equipment's name plate, approximate wattage may be determined by multiplying nameplate voltage by the nameplate amperage.

$$\text{WATTS} = \text{VOLTAGE} \times \text{AMPERAGE}$$

The power factor of this generator is 0.8. See Table 5 below when connecting loads.

**Table 5. Power Factor By Load**

Type Of Load	Power Factor
Single-phase induction motors	0.4 - 0.75
Electric heaters, incandescent lamps	1.0
Fluorescent lamps, mercury lamps	0.4 - 0.9
Electronic devices, communication equipment	1.0
Common power tools	0.8

**Table 6. Cable Selection (60 Hz, Single Phase Operation)**

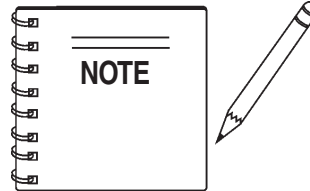
Current in Amperes	Load In Watts		Maximum Allowable Cable Length			
	At 100 Volts	At 200 Volts	#10 Wire	#12 Wire	#14 Wire	#16 Wire
2.5	300	600	1000 ft.	600 ft.	375 ft.	250 ft.
5	600	1200	500 ft.	300 ft.	200 ft.	125 ft.
7.5	900	1800	350 ft.	200 ft.	125 ft.	100 ft.
10	1200	2400	250 ft.	150 ft.	100 ft.	
15	1800	3600	150 ft.	100 ft.	65 ft.	
20	2400	4800	125 ft.	75 ft.	50 ft.	

CAUTION: Equipment damage can result from low voltage.

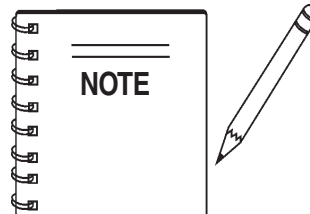
## Three Phase Load

When calculating the power requirements for 3-phase power use the following equation:

$$\text{KVA} = \frac{\text{VOLTAGE} \times \text{AMPERAGE} \times 1.732}{1000}$$



If 3Ø load (kVA) is not given on the equipment nameplate, approximate 3Ø load output may be determined by multiplying voltage by amperage by 1.732.



Motors and motor-driven equipment draw much greater current for starting than during operation.

An inadequate size connecting cable which cannot carry the required load can cause a voltage drop which can burn out the appliance or tool and overheat the cable. See Table 6.

- When connecting a resistance load such as an incandescent lamp or electric heater, a capacity of up to the generating set's rated output (kW) can be used.
- When connecting a fluorescent or mercury lamp, a capacity of up to the generating set's rated output (kW) multiplied by 0.6 can be used.
- When connecting an electric drill or other power tools, pay close attention to the required starting current capacity.

When connecting ordinary power tools, a capacity of up to the generating set's rated output (kW) multiplied by 0.8 can be used.

## DANGER - ELECTRICAL SYSTEM HAZARDS

Before connecting this generator to any building's electrical system, a **licensed electrician** must install an **isolation (transfer) switch**. Serious damage to the building's electrical system may occur without this transfer switch.

# DCA-220SSVU — GENERATOR OUTPUTS

## Generator Output Voltages

A wide range of voltages are available to supply voltage for many different applications. Voltages are selected by applying jumpers (6) to the **voltage change-over board** (Figure 15). To obtain some of the voltages as listed in Table 6 (see below) will require a fine adjustment using the **voltage regulator (VR) control knob** located on the control panel.

## Voltage Change-Over Board

The **voltage change-over board** (Figure 15) is located on the control box, behind the generator control panel. This board has been provided for ease of voltage selection.

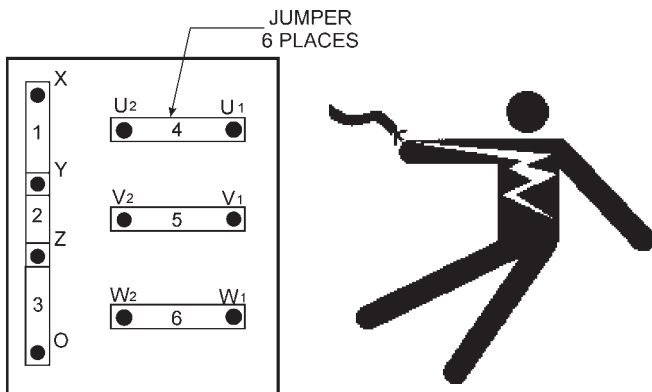


Figure 15. Voltage Change-Over Board

### CAUTION - CHANGING VOLTAGES

**NEVER** attempt to place jumper plates on the **voltage change-over board** while the generator is in operation. There exist the possibility of **electrocution, electrical shock or burn, which can cause severe bodily harm or even death!**

Table 7. Voltages Available

	208V	220V	240V	416V	440V	480V
Three Phase (Switchable)						
Single Phase (Switchable)	120V	127V	139V	240V	254V	277V

## Generator Amperage

Tables 8 and 9 describe the generator's current output capability for both 1Ø-phase and 3Ø phase applications.

Table 8. Generator Ampere Ratings — 1Ø

kW	120V	139V	240V	277V	480V
16	44	38	22	19	11
36	155	86	78	43	25
56	466	134	233	67	39
76	210	182	105	82	53
96	266	230	133	115	67
116	322	278	161	139	80
136	378	326	189	163	94
156	433	374	216	187	108
176 (Max)	488.6	422	244.3	211	122

These calculations refelect the maximum amount of current the generator can provide at each output terminal pair. To obtain the total generator amperage multiply by 3.

Example 1: 488.6 amps @ 120V per output terminal pair X 3 =1,486 amps

Example 2: 244.3 amps @ 240V per output terminal pair X 3 =733 amps

Table 9. Generator Ampere Ratings — 3Ø

KW	240V	480V
20	48	24
40	96	48
60	144	72
80	192	96
100	240	120
120	288	144
140	337	168
160	385	192
180	433	216
200	481	241
220	529	264

# DCA-220SSVU — GENERATOR OUTPUTS/ GAUGE READING

## Maximum Amps

Table 10 shows the *maximum* amps the generator can provide. **DO NOT** exceed the maximum amps as listed.

Table 10. Generator Maximum Amps	
Model	DCA220SSVU
<b>Rated Voltage</b>	<b>Maximum Amps</b>
Single Phase 120 Volt	488.9 amps (4 wire)
Single Phase 240 Volt	244.4 amps (4 wire)
Three Phase 240 Volt	529 amps
Three Phase 480 Volt	264 amps

## How to Read the Output Terminal Gauge.

The AC ammeter and AC voltmeter change-over switches on the control panel **DO NOT** effect the generator output. They are provided to help observe how much power is being supplied, produced at the UVWO terminals lugs.

When the voltage change-over board is jumpered for 3Ø, 240V operation (See Figures 17 and 18), place the **AC Voltmeter Change-Over Switch** (See Figures 19 and 20) to the W-U position and the **AC Ammeter Change-Over Switch** (Figure 19) to the U or W position to read the output on the selected leg.

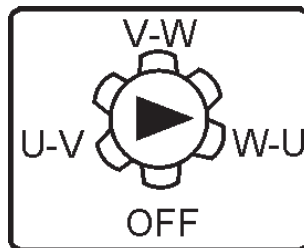


Figure 17. AC Voltmeter Change-Over Switch

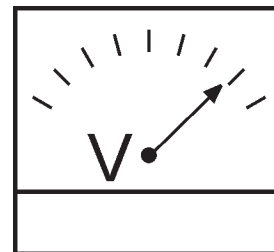


Figure 18. AC Voltmeter Gauge (Volt reading on W-U Lug)

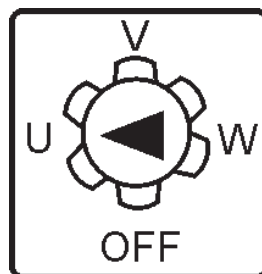


Figure 19. AC Ammeter Change-Over Switch

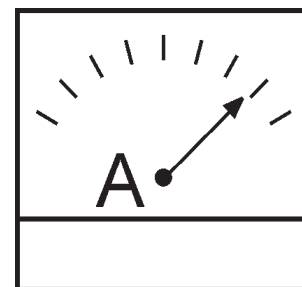


Figure 20. AC Ammeter (Amp reading on U lug)

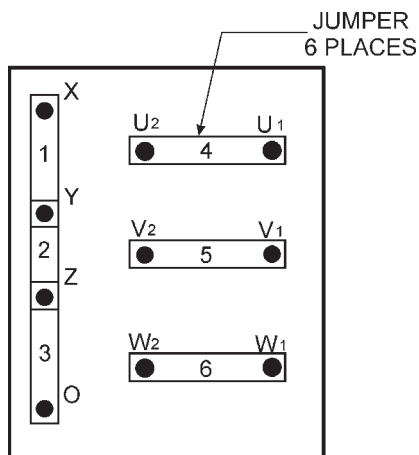
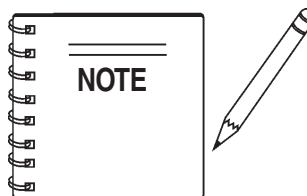


Figure 16. Voltage Change-Over Board 240V Configuration



The *ammeter* gauge will only show a reading when the **Output Terminal Lugs** are connected to a load and in use.

# DCA-220SSVU — OUTPUT TERMINAL PANEL CONNECTIONS

## UVW Terminal Output Voltages

Various output voltages can be obtained using the UVW output terminal lugs. The voltages at the terminals are dependent on the placement of the jumpers plates (6) on the **Voltage Change-Over Board** and the adjustment of the **Voltage Regulator Control Knob**.

Remember the voltage change-over board determines the **range** of the output voltage and can be configured in two different positions that provide 6 different output voltages at the UVW output terminals. The generator is shipped from the factory in the 240V configuration. The voltage regulator (VR) allows the user to increase or decrease the selected voltage.

## 3Ø-240V UVW Terminal Output Voltages

1. Jumper the voltage change-over board for 240V operation as shown in Figure 21.

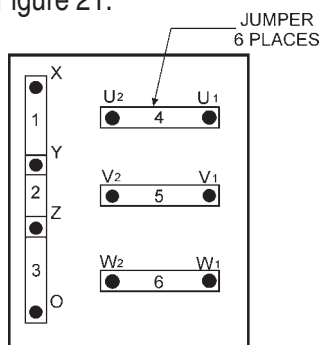


Figure 21. Voltage Change-Over Board  
240V Configuration

2. Connect the load wires to the UVW terminals as shown in Figure 22.

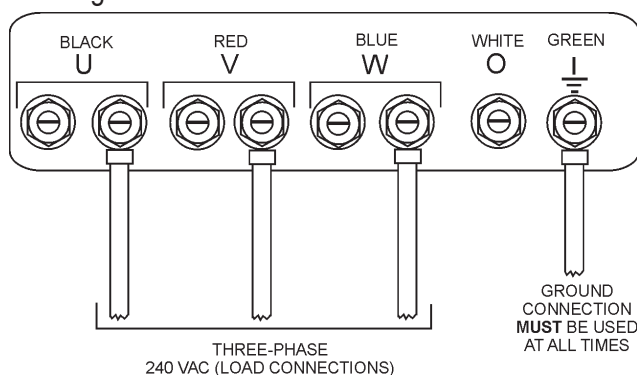


Figure 22. UVW Terminal Lugs  
3Ø-240V Connections

3. Turn the voltage regulator knob (Figure 23) clockwise to increase voltage output, turn counterclockwise to decrease voltage output. Use voltage regulator adjustment knob whenever fine tuning of the output voltage is required



Figure 23. Voltage Regulator Knob

## 1Ø-240V UVW Terminal Output Voltages

1. Make sure the voltage change-over board is jumpered for 240V operation as shown in Figure 21 .
2. Connect the load wires to the UVW terminals as shown in Figure 24.

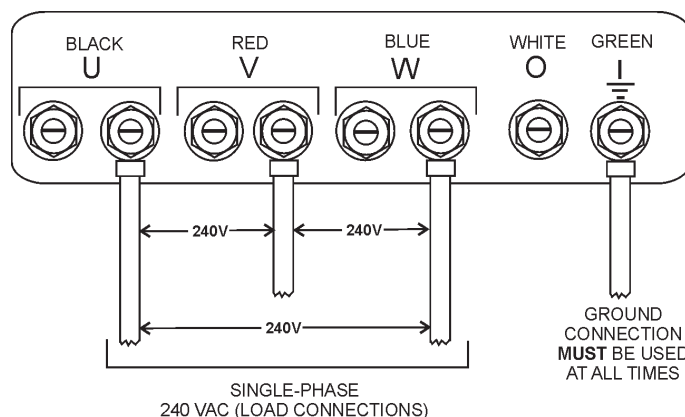


Figure 24. UVW Terminal Lugs  
1Ø-240V Connections

## 1Ø-139V UVW Terminal Output Voltages

1. Make sure the voltage change-over board is jumpered for 240V operation as shown in Figure 21.
2. Connect the load wires to the UVW terminals as shown in Figure 25.

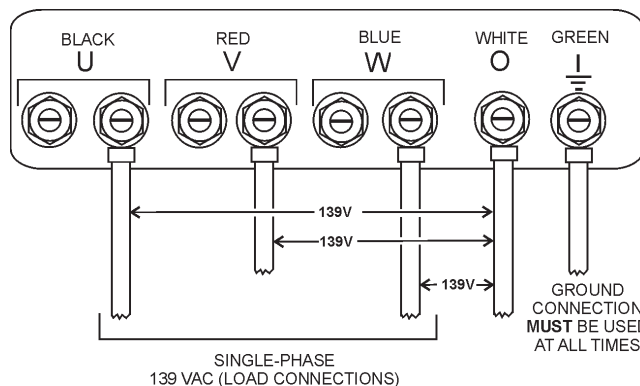


Figure 25. UVW Terminal Lugs  
1Ø-139V Connections



# DCA-220SSVU — OUTPUT TERMINAL PANEL CONNECTIONS

## 3Ø-480V UVW Terminal Output Voltages

1. Jumper the voltage change-over board for 480V operation as shown in Figure 26. This configuration uses 6 jumper plates in 3 different positions. Remember there are 2 jumper plates at every position. Every jumper plate **must** be used.

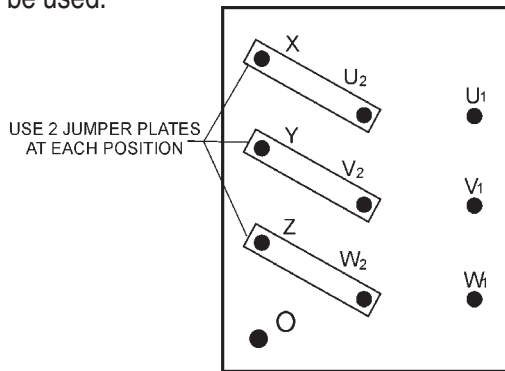


Figure 26. Voltage Change-Over Board 480V Configuration

2. Connect the load wires to the UVW terminals as shown in Figure 27.

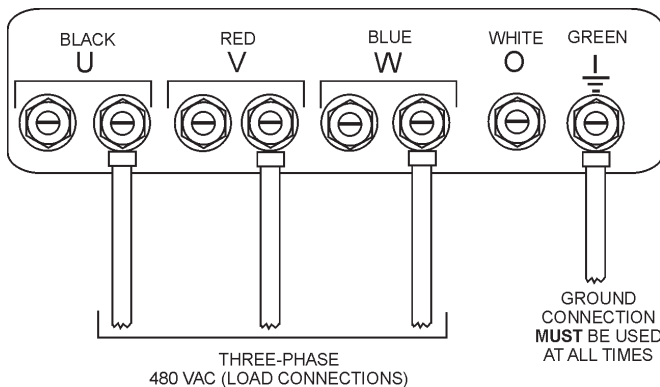
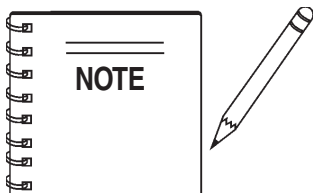


Figure 27. UVW Terminal Lugs 3Ø-480V Connections



**ALWAYS** make sure that the connections to the UVW terminals are **secure** and **tight**. The possibility of arcing exists, that could cause a fire.

## 1Ø-480V UVW Terminal Output Voltages

1. Make sure the voltage change-over board is jumpered for 480V operation as shown in Figure 26.
2. Connect the load wires to the UVW terminals as shown in Figure 28.

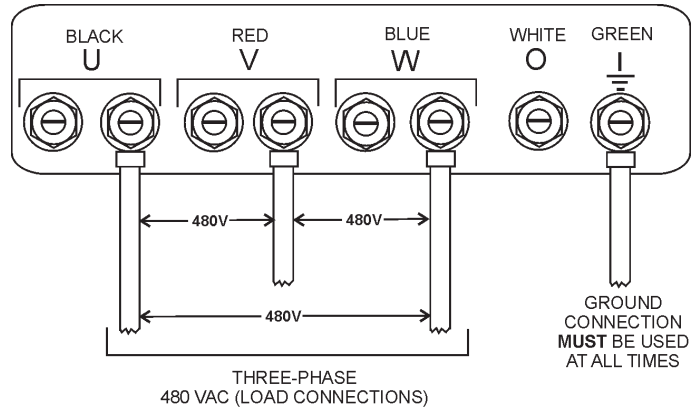


Figure 28. UVW Terminal Lugs 1Ø-480V Connections

## 1Ø-277V UVW Terminal Output Voltages

1. Make sure the voltage change-over board is jumpered for 480V operation as shown in Figure 26.
2. Connect the load wires to the UVW terminals as shown in Figure 29.

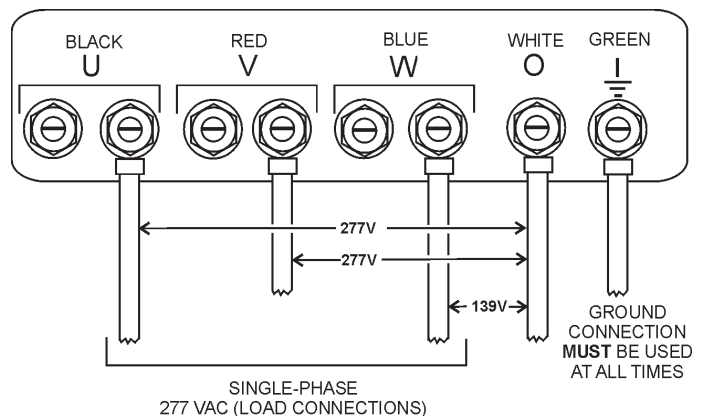


Figure 29. UVW Terminal Lugs 1Ø-277V Connections

## Circuit Breakers

To protect the generator from an overload, a 3-pole, 600 amp, **main** circuit breaker is provided to protect the **U, V, and W Output Terminals** from overload. In addition two single-pole, 20 amp **GFCI** circuit breakers are provided to protect the GFCI receptacles from overload. Three 50 amp **load** circuit breakers have also been provided to protect the auxiliary receptacles from overload. Make sure to switch **ALL** circuit breakers to the **OFF** position prior to starting the engine.

## Lubrication Oil

Fill the engine crankcase with lubricating oil through the filler hole, but **DO NOT** overfill. Make sure the generator is level. and verify that the oil level is maintained between the two notches (Figure 30) on the dipstick. See Table 9 for proper selection of engine oil.

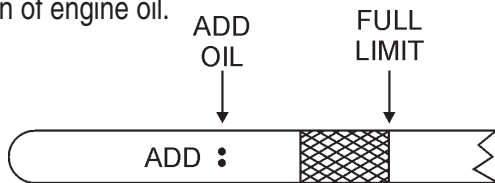


Figure 30. Engine Oil Dipstick

When checking the engine oil, be sure to check if the oil is clean. If the oil is not clean, drain the oil by removing the oil drain plug, and refill with the specified amount of oil as outlined in the **Volvo Engine Owner's Manual**. Oil should be warm before draining.

Other types of motor oils may be substituted if they meet the following requirements:

- API Service Classification CC/SC
- API Service Classification CC/SD
- API Service Classification CC/SE
- API Service Classification CC/SF

Table 11. Recommended Motor Oil		OIL: SAE	
°F	°C		
122	50	10W/40	30
104	40	10W/40	30
86	30	10W/40	30
68	20	10W/40	30
50	10	10W/40	30
32	0	10W/40	30
-14	-10	5W/30	15W/30
-4	-20	5W/30	15W/30
-22	-30	5W/30	10W/30
-40	-40	ARCTIC OIL	10W
			20W/40

## Fuel Check

### ! DANGER - EXPLOSION/FIRE HAZARDS

Fuel spillage on a **hot** engine can cause a **fire** or **explosion**. If fuel spillage occurs, wipe up the spilled fuel completely to prevent fire hazards. **NEVER** smoke around or near the generator.



## Refilling the Fuel System

### ! CAUTION - REFUELING THE GENERATOR

**ONLY** properly trained personnel who have read and understand this section should refill the fuel tank system.

This generator has an internal fuel tank located inside the trailer frame and may also be equipped with an environmental fuel tank (Figure 31). **ALWAYS** fill the fuel tanks with clean fresh **#2 diesel fuel**. **DO NOT** fill the fuel tanks beyond their capacities.

Pay attention to the fuel tank capacity when replenishing fuel. The fuel tank cap must be closed tightly after filling. Handle fuel in a safety container. If the container does not have a spout, use a funnel. Wipe up any spilled fuel immediately.

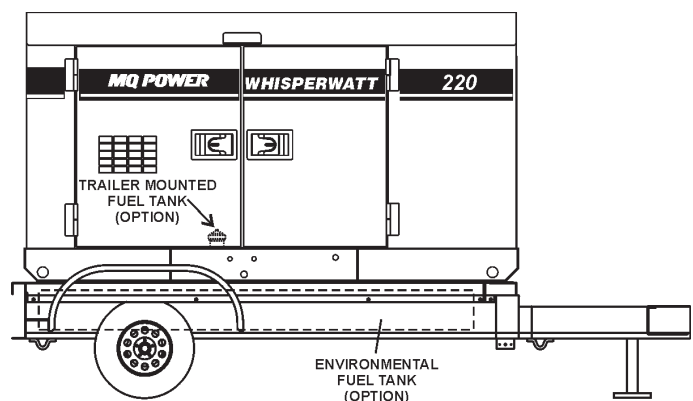


Figure 31. Internal Fuel Tank System



## Refueling Procedure:

### **! WARNING - RESPIRATORY HAZARDS**

**Diesel fuel** and its vapors are dangerous to your health and the surrounding environment. Avoid skin contact and/or inhaling fumes.



1. **Level Tanks** – Make sure fuel cells are level with the ground. Failure to do so will cause fuel to spill from the tank before reaching full capacity (Figure 32).

### **! CAUTION - REFUELING THE GENERATOR**

**ALWAYS** place trailer on firm level ground before refueling to prevent spilling and maximize the amount of fuel that can be pumped into the tank.

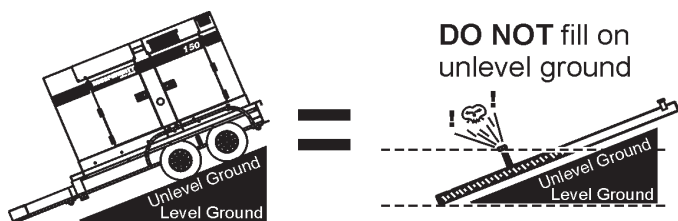
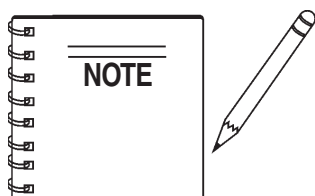


Figure 32. Only Fill on Level Ground



**ONLY!** use #2 diesel fuel when refueling.

3. Open cabinet doors on the “right side” of the generator (from generator control panel position). Remove fuel cap and fill tank (Figure 33).

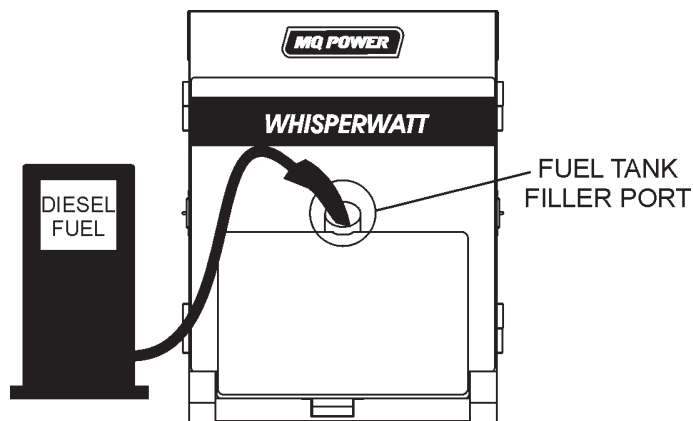


Figure 33. Fueling the Generator

3. **NEVER** overfill fuel tank – It is important to read the fuel gauge when filling trailer fuel tank. **DO NOT** wait for fuel to rise in filler neck (Figure 34).

FUEL GAUGE LOCATED ON CONTROL PANEL

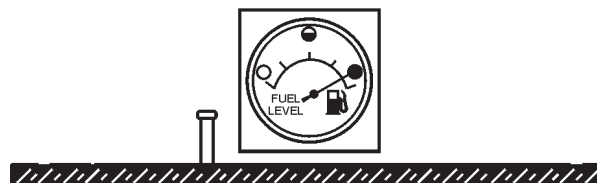


Figure 34. Full Fuel Tank

### **! CAUTION - REFUELING THE GENERATOR**

**DO NOT OVER-FILL** fuel system. Leave room for fuel expansion. Fuel expands when heated (Figure 35).




Figure 35. Fuel Expansion

## Coolant (ISUZU Antifreeze/Summer Coolant/Water)

VOLVO recommends VOLVO antifreeze/summer coolant for use in their engines, which can be purchased in concentrate (and mixed with 50% demineralized water) or pre-diluted. See the **VOLVO Engine Owner's Manual** for further details.

**! WARNING - BURN HAZARDS**

If adding coolant/antifreeze mix to the radiator, **DO NOT** remove the radiator cap until the unit has completely cooled. The possibility of **hot!** coolant exists which can cause severe burns.



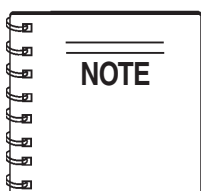
Day-to-day addition of coolant is done from the recovery tank. When adding coolant to the radiator, **DO NOT** remove the radiator cap until the unit has completely cooled. See Table 12 for engine, radiator, and recovery tank coolant capacities. Make sure the coolant level in the recovery tank is always between the "H" and the "L" markings.

Component	Capacity
Engine and Radiator	4.8 Gal. (18 liters)
Reserve Tank	2 Quarts (1.9 liters)

## Operation Freezing Weather

When operating in freezing weather, be certain the proper amount of antifreeze (Table 13) has been added.

Vol % Anti-Freeze	Freezing Point	
	°C	°F
50	-37	-34



When the antifreeze is mixed with water, the antifreeze mixing ratio **must be** less than 50%.

## Cleaning the Radiator

The engine may overheat if the radiator fins become overloaded with dust or debris. Periodically clean the radiator fins with compressed air. Cleaning inside the machine is dangerous, so clean only with the engine turned off and the **negative** battery terminal disconnected.

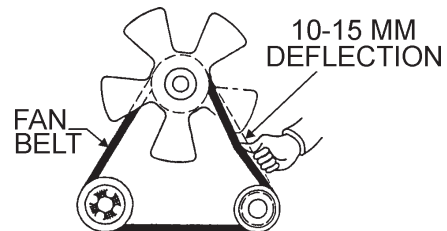
## Air Cleaner

Periodic cleaning/replacement is necessary. Inspect it in accordance with the **VOLVO Engine Owner's Manual**.

## Fan Belt Tension

A slack fan belt may contribute to overheating, or to insufficient charging of the battery. Inspect the fan belt for damage and wear and adjust it in accordance with the **VOLVO Engine Owner's Manual**.

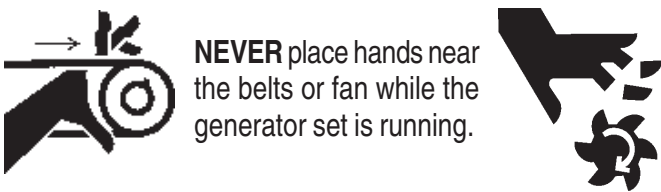
The fan belt tension is proper if the fan belt bends 10 to 15 mm (Figure 36) when depressed with the thumb as shown below.



**Figure 36. Fan Belt Tension**

**! CAUTION - ROTATING PARTS**

**NEVER** place hands near the belts or fan while the generator set is running.



## Battery

This unit is of negative ground **DO NOT** connect in reverse. Always maintain battery fluid level between the specified marks. Battery life will be shortened, if the fluid level are not properly maintained. Add only distilled water when replenishment is necessary.

**DO NOT** over fill. Check to see whether the battery cables are loose. Poor contact may result in poor starting or malfunctions. **Always** keep the terminals firmly tightened. Coating the terminals with an approved battery terminal treatment compound. Replace battery with only recommended type battery. The battery type used in this generator is BCI Group 27.

The battery is sufficiently charged if the specific gravity of the battery fluid is 1.28 (at 68° F). If the specific gravity should fall to 1.245 or lower, it indicates that the battery is dead and needs to be recharged or replaced.

Before charging the battery with an external electric source, be sure to disconnect the battery cables.

## Battery Cable Installation

**ALWAYS** be sure the battery cables (Figure 37) are properly connected to the battery terminals as shown below. The **Red Cable** is connected to the positive terminal of the battery, and the **Black Cable** is connected to the negative terminal of the battery.

### CAUTION - BATTERY SERVICING SAFETY

**ALWAYS** disconnect the negative terminal **FIRST** and reconnect negative terminal **LAST**.

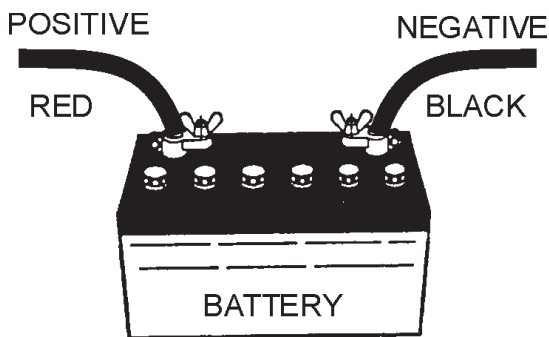
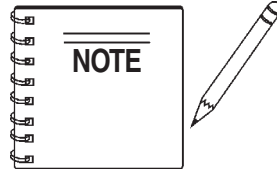


Figure 37. Battery Connections

When connecting battery do the following:

1. **NEVER** connect the battery cables to the battery terminals when the **MPEC Control Switch** is in either the **MANUAL** position. **ALWAYS** make sure that the **MPEC Control Switch** is in the **OFF/RESET** position when connecting the battery.
2. Place a small amount of battery terminal treatment compound around both battery terminals. This will ensure a good connection and will help prevent corrosion around the battery terminals.



If the battery cable is connected incorrectly, electrical damage to the generator will occur. Pay close attention to the polarity of the battery when connecting the battery.

### CAUTION - BATTERY SERVICING SAFETY

Inadequate battery connections may cause poor starting of the generator, and create other malfunctions.

## Alternator

The polarity of the alternator is negative grounding type. When an inverted circuit connection takes place, the circuit will be in short circuit instantaneously resulting the alternator failure.

**DO NOT** put water directly on the alternator. Entry of water into the alternator can cause corrosion and damage the alternator.

## Wiring

Inspect the entire generator for bad or worn electrical wiring or connections. If any wiring or connections are exposed (insulation missing) replace wiring immediately.

## Piping and Hose Connection

Inspect all piping, oil hose, and fuel hose connections for wear and tightness. Tighten all hose clamps and check hoses for leaks.

If any hose (**fuel** or **oil**) lines are defective replace them immediately.

# DCA-220SSVU — GENERATOR START-UP PROCEDURE (MANUAL)

## Before Starting

### ⚠ CAUTION - LETHAL EXHAUST HAZARD

The engine's exhaust contains harmful emissions. **ALWAYS have adequate ventilation when operating.** Direct exhaust away from nearby personnel.

### ⚠ WARNING - STARTING THE GENERATOR

**NEVER!** manually start the engine with the **main, GFCI** or **auxiliary** circuit breakers in the **ON** (closed) position.

1. Place the **main, G.F.C.I.,** and **aux.** circuit breakers (Figure 38) in the **OFF** position prior to starting the engine.

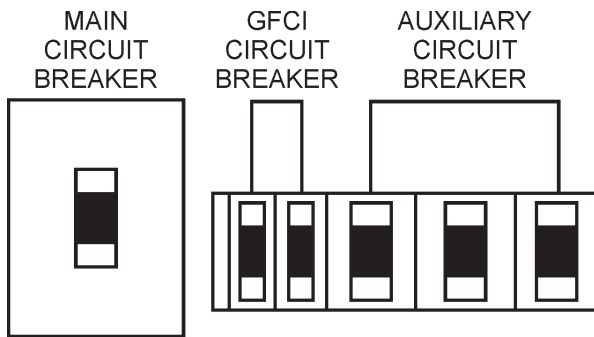


Figure 38. Main, Aux. and GFCI Circuit Breakers (OFF)

2. Make sure the the **voltage change-over board** has been configured for the desired output voltage.
3. Connect the load to the **receptacles** or the **output terminal lugs** as shown in Figure 13. These load connection points can be found on the output terminal panel and the output terminal panel's hard wire hookup panel.
4. The output terminal lugs are protected by a plastic cover. Remove this cover to gain access to the terminals. Tighten terminal nuts securely to prevent load wires from slipping out.
5. Close all engine enclosure doors (Figure 39).

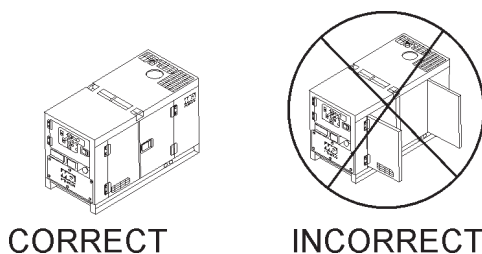


Figure 39. Engine Enclosure Doors

## Starting (Manual)

1. In cold weather conditions, press and hold the **pre-heat button** (Figure 40) for at least 50 seconds to warm the engine glow plugs.

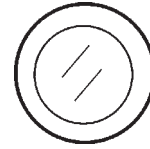


Figure 42. Pre-Heat Button

2. Place the engine speed switch (Figure 41) in the "**LOW**" (down) position.



Figure 41. Engine Speed Switch (Low)

3. Once the engine glow plugs have been warmed, place the **MPEC Control Switch** in the **MANUAL** position to start the engine (Figure 42).



Figure 42. MPEC Control Switch (Manual Position)

4. Once the engine starts, let it engine run for 1-2 minutes. Listen for any abnormal noises. If any abnormalities exists shutdown the engine and correct the problem. If the engine is running smoothly, place the engine speed switch (Figure 43) in the "**HIGH**" (up) position.



Figure 43. Engine Speed Switch (High)

5. Verify that the **Engine Running** status LED on the MPEC unit (Figure 44) is **ON** (lit) after the engine has been started.



Figure 44. Engine Running LED (ON)

# DCA-220SSVU — GENERATOR START-UP PROCEDURE (MANUAL)

6. The generator's frequency meter (Figure 45) should be displaying the 60 cycle output frequency in **HERTZ**.

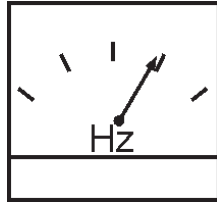


Figure 45. Frequency Meter (Hz)

7. The generator's AC-voltmeter (Figure 47) will display the generator's output in **VOLTS**. If the voltage is not within the specified tolerance, use the voltage adjustment control knob (Figure 47) to increase or decrease the desired voltage.

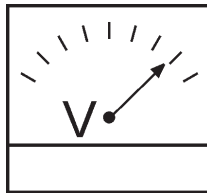


Figure 46. Voltmeter



Figure 47. Voltage Adjust Control Knob

8. The ammeter (Figure 48) will indicate **zero amps** with no load applied. When a load is applied, the ammeter will indicate the amount of current that the load is drawing from the generator.

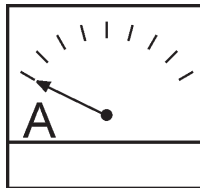


Figure 48. Ammeter (No Load)

9. The engine oil pressure gauge (Figure 49) will indicate the oil pressure of the engine. Under normal operating conditions the oil pressure is approximately 44 to 73 psi. (303~503 kPa). When starting the genera

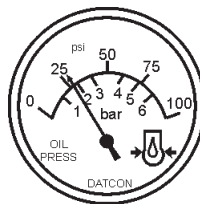


Figure 49. Oil Pressure Gauge

10. The **coolant temperature gauge** (Figure 50) will indicate the coolant temperature. Under normal operating conditions the coolant temperature should be between 165 and 203 degrees Fahrenheit (**Green Zone**).

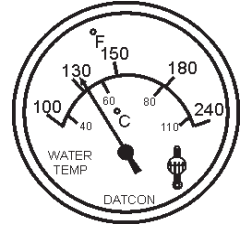


Figure 50. Coolant Temperature Gauge

11. The **tachometer gauge** (Figure 51) will indicate the speed of the engine when the generator is operating. Under normal operating conditions this speed is approximately 1600 RPM's.

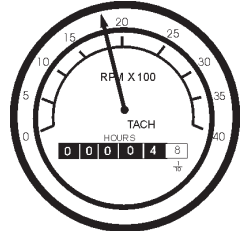


Figure 51. Engine Tachometer Gauge

12. Place the **main**, **GFCI**, and **aux.** circuit breakers in the **ON** position (Figure 52).

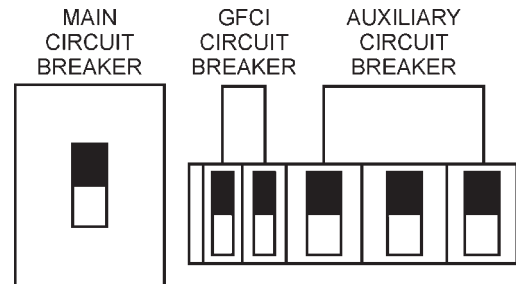


Figure 52. Main, Aux. and GFCI Circuit Breakers (ON)

13. Observe the generator's ammeter (Figure 53) and verify it reads the anticipated amount of current with respect to the load. The ammeter will only display a current reading if a load is in use.

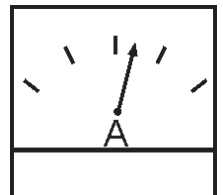


Figure 53. Ammeter (Load)

14. The generator will run until manually stopped or an abnormal condition occurs.

# DCA-220SSVU — GENERATOR START-UP PROCEDURE (AUTO MODE)

## Starting (Auto Mode)

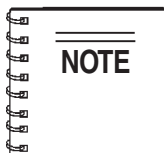
### **! DANGER - ELECTRICAL SYSTEM HAZARDS**

Before connecting this generator to any building's electrical system, a **licensed electrician** must install an **isolation (transfer) switch**. Serious damage to the building's electrical system may occur without this transfer switch.



### **! CAUTION - BACKUP GENERATOR USE**

When connecting the generator to a isolation (transfer) switch, **ALWAYS** have power applied to the generator's internal battery charger. This will ensure that the engine will not fail due to a dead battery.



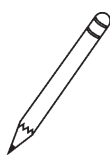
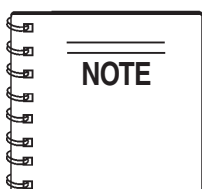
When the generator is set in the **AUTO** mode, the generator will **automatically start** in the event of commercial power falling below a prescribed level by means of a contact closure that is generated automatically by a transfer switch.

### **! WARNING - AUTO MODE MAINTENANCE**

When running the generator in the **AUTO** mode, remember the generator can start up at any time without warning. **NEVER** attempt to perform any maintenance when the generator is in the auto mode.

### **! CAUTION - ENGINE SPEED SWITCH**

The **Engine Speed Switch** **must** be set to the "**High**" position when running in the **Auto-Start** mode. Failing to set the switch in the proper position can result in damage to your generator when it turns on.



When the **MPEC Control Switch** is placed in the **AUTO** position, the engine glow plugs will be warmed and the engine will start automatically.

When starting generator in **AUTO** mode use the "**Manual Start-up**" procedure except where noted (see below).

1. Perform steps 1 through 5 in the **Before Starting** section as outlined in the **Manual Starting Procedure**.
2. Place the **engine speed switch** (Figure 54) in the **HIGH** position



Figure 54. Engine Speed Switch (High)

3. Place the **MPEC Control Switch** (Figure 55) in the **AUTO** position



Figure 55. MPEC Control Switch (AUTO)

4. Continue operating the generator as outlined in the **Manual Start-up** procedure (start at step 5).



# DCA-220SSVU — GENERATOR SHUT-DOWN PROCEDURES

## WARNING - SHUTTING DOWN THE GENERATOR

**NEVER** stop the engine suddenly except in an emergency.

### Normal Shutdown Procedure

To shutdown the generator use the following procedure:

1. Place both the **MAIN**, **GFCI** and **LOAD** circuit breakers as shown in Figure 38 to the **OFF** position.
2. Place the engine speed switch (Figure 56) in the “**LOW**” (down) position.



**Figure 56. Engine Speed Switch (Low)**

3. Let the engine cool by running it at low speed for 3-5 minutes with no load applied.
4. Place the **MPEC Control Switch** (Figure 57) to the **OFF/RESET** position.



**Figure 57. MPEC Control Switch (Off/Reset)**

5. Verify that the **all** status LED on the MPEC display are **OFF** (not lit).
6. Remove all loads from the generator.
7. Inspect entire generator for any damage or loosening of components that may have occurred during operation.

### Emergency Shutdown Procedure

1. To shut-down the engine in the event of an emergency, switch the **MAIN**, **GFCI** and **LOAD** (Figure 38) circuit breakers to **OFF** position.
2. Place the **MPEC Control Switch** (Figure 57) to the **OFF/RESET** position.

TABLE 14. INSPECTION/MAINTENANCE		10 Hrs DAILY	250 Hrs	500 Hrs	1000 Hrs
<b>ENGINE</b>	Check Engine Fluid Levels	X			
	Check Air Cleaner	X			
	Check Battery Acid Level	X			
	Check Fan Belt Condition	X			
	Check for Leaks	X			
	Check for Loosening of Parts	X			
	Replace Engine Oil and Filter * 1		X		
	Clean Air Filter		X		
	Check Fuel Filter/Water Separator Bowl	X			
	Clean Unit, Inside and Outside		X		
	Change Fuel Filter			X	
	Clean Radiator and Check Coolant Protection Level*2			X	
	Replace Air Filter Element * 3			X	
	Check all Hoses and Clamps * 4				X
	Clean Inside of Fuel Tank				X
<b>GENERATOR</b>	Measure Insulation Resistance Over 3M ohms		X		
	Check Rotor Rear Support Bearing			X	

\*1 Replace engine oil and filter at 100 hours, first time only.

\*2 Add "Supplemental Coolant Additives (SCA'S)" to recharge the engine coolant.

\*3 Replace primary air filter element when restriction indicator shows a vacuum of 625 mm (25 in. H<sub>2</sub>O).

\*4 If blowby hose needs to be replaced, ensure that the slope of the blowby hose is at least a 1/2 inch per foot, with no sags or dips that could collect moisture and/or oil.

## General Inspection

Prior to each use, the generator should be cleaned and inspected for deficiencies. Check for loose, missing or damaged nuts, bolts or other fasteners. Also check for fuel, oil, and coolant leaks. Use Table 14 as a general maintenance guideline **Engine Side** (Refer to the Engine Instruction Manual)

### Air Cleaner

Every 250 hours: Remove air cleaner element and clean the heavy duty paper element with light spray of compressed air. Replace the air cleaner as needed.

### Air Cleaner with Dust Indicator

This indicator is attached to the air cleaner. When the air cleaner element is clogged, air intake restriction becomes greater and the dust indicator signal shows **RED** meaning the element needs changing or service. After changing the air element, press the dust indicator button to reset the indicator.

## Service Daily

If the engine is operating in very **dusty** or **dry grass** conditions, a clogged air cleaner will result. This can lead to a loss of power, excessive carbon buildup in the combustion chamber and high fuel consumption. Change air cleaner more **frequently** if these conditions exist.

### Fuel Addition

Add diesel fuel (the grade may vary according to season and locations).

### Removing Water from the Fuel Tank

After prolonged use, water and other impurities accumulate in the bottom of the tank. Occasionally inspect the fuel tank for water contamination and drain the contents if required.

During cold weather, the more empty volume inside the tank, the easier it is for water to condense. This can be reduced by keeping the tank full with diesel fuel.



## Air Removal

If air enters the fuel injection system of a diesel engine, starting becomes impossible. After running out of fuel, or after disassembling the fuel system, bleed the system according to the following procedure. See the *VOLVO Engine Manual* for details.

To restart after running out of fuel, turn the switch to the "ON" position for 15-30 seconds. Try again, if needed. This unit is equipped with an automatic air bleeding system.

## Check Oil Level

Check the crankcase oil level prior to each use, or when the fuel tank is filled. Insufficient oil may cause severe damage to the engine. Make sure the generator is level. The oil level must be between the two notches on the dipstick as shown in Figure 31.

## Replacing Oil Filter

- Remove the old oil filter.
- Apply a film of oil to the gasket on the new oil filter.
- Install the new oil filter.
- After the oil cartridge has been replaced, the engine oil will drop slightly. Run the engine for a while and check for leaks before adding more oil if needed. Clean excessive oil from engine.

## Cleaning the Fuel Strainer

Clean the fuel strainer if it contains dust or water. Remove dust or water in the strainer cap and wash it in gasoline. Securely fasten the fuel strainer cap so that fuel will not leak. Check the fuel strainer every 200 hours of operation or once a month.

## Replacing Fuel Filter

- Replace the fuel filter cartridge with new one every 500 hours or so.
- Loosen the drain plug at the lower top of the fuel filter. Drain the fuel in the fuel body together with the mixed water. **DO NOT** spill the fuel during disassembly.
- Vent any air.

## Flushing Out Radiator and Replacing Coolant

- Open both cocks located at the crankcase side and at the lower part of the radiator and drain coolant. Open the radiator cap while draining. Remove the overflow tank and drain.
- Check hoses for softening and kinks. Check clamps for signs of leakage.
- Flush the radiator by running clean tap water through radiator until signs of rust and dirt are removed. **DO NOT** clean radiator core with any objects, such as a screwdriver.
- Tighten both cocks and replace the overflow tank.
- Replace with coolant as recommended by the engine manufacturer.
- Close radiator cap tightly.

### WARNING - BURN HAZARDS

Allow engine to **cool** when flushing out radiator. Flushing the radiator while hot could cause serious burns from water or steam.



## Generator Storage

For long term storage of the generator the following is recommended:

- Fill the fuel tank completely. Treat with a fuel stabilizer if necessary.
- Completely drain the oil from the crankcase and refill if necessary with fresh oil.
- Clean the entire generator, internal and external.
- Cover the generating set and store in a clean, dry place.
- Disconnect the battery.
- Make sure engine coolant is at proper level.
- If generator is mounted on a trailer, jack trailer up and place on blocks so tires do not touch the ground or block and completely remove the tires.

## Jacket Water Heater and Internal Battery Charger 120 VAC Input Receptacles (OPTIONAL)

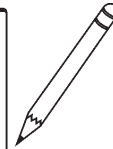
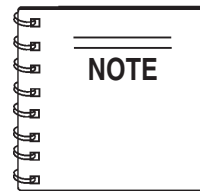
This generator can be optionally equipped with two 120 VAC, 20 amp input receptacles located on the output terminal panel.

The purpose of these receptacles is to provide power via commercial power to the **jacket water heater** and **internal battery charger**.

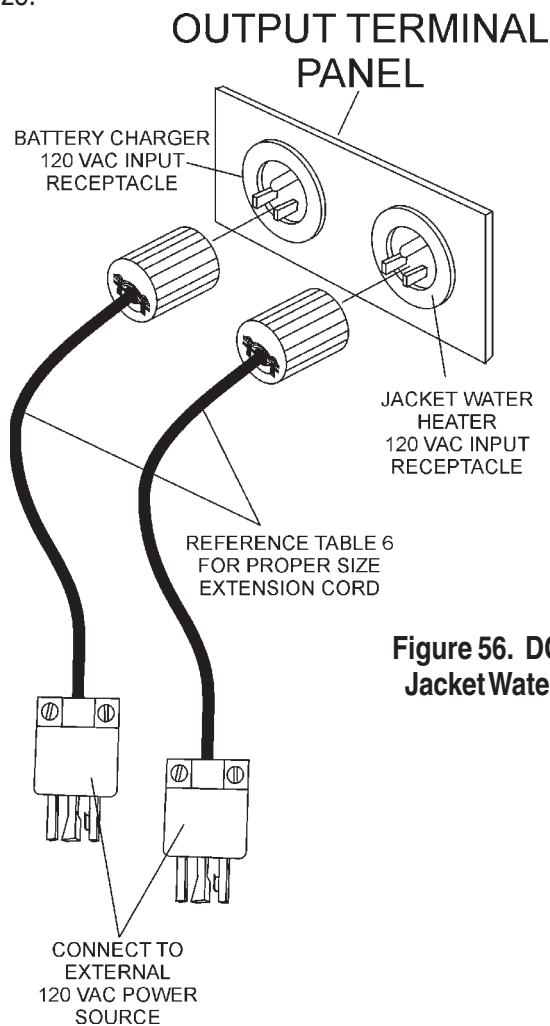
These receptacles will **ONLY** function when commercial power has been supplied to them (Figure 58). To apply commercial power to these receptacles, a power cord of adequate size will be required (See Table 6).

When using the generator in **hot** climates there is no reason to apply power to jacket water heater. However, if the generator will be used in **cold** climates it is always a good idea to apply power to the jacket water heater at all times. To apply power to the jacket water heater simply apply power to the jacket water heater receptacle via commercial power using an power cord of adequate size.

If the generator will be used daily, the battery should normally not require charging. If the generator will be idle (not used) for long periods of time, apply power to the battery charger receptacle via commercial power using an power cord of adequate size.



To ensure adequate starting capability, **always** have power applied to the generator's **internal battery charger**.



**Figure 56. DCA-45SIU2 Battery Charger & Jacket Water Heater Power Connections**

## Trailer Maintenance

This section is intended to provide the user with generic trailer service and maintenance information. The service and maintenance guidelines referenced in this section refer to a wide range of trailers.

Remember periodic inspection of the trailer will ensure safe towing of the generator and will prevent personal injury and damage to the equipment.

The definitions below describe some of the major components of a typical trailer that would be used with the DCA-220SSVU *Whisperwatt™* Generator.

1. **Fuel Cell** - Provides an adequate amount of fuel for the equipment in use. Fuel cells must be empty when transporting equipment.
2. **Braking System** - System employed in stopping the trailer. Typical braking systems are electric, surge, hydraulic, hydraulic-surge and air.
3. **GVWR**- Gross Vehicle Weight Rating (GVWR) is the maximum number of pounds the trailer can carry, including the fuel cell (empty).
4. **Frame Length** - Measurement is from the ball hitch to the rear bumper (reflector).
5. **Frame Width** - Measurement is from fender to fender
6. **Jack Stand** - Trailer support device with maximum pound requirement from the tongue of the trailer.
7. **Coupler** - Type of hitch used on the trailer for towing.
7. **Coupler** - Type of hitch used on the trailer for towing.
8. **Tire Size** - Indicates the diameter of the tire in inches (10,12,14, etc.), and the width in millimeters (175,185,205, etc.). The tire diameter must match the diameter of the tire rim.
9. **Tire Ply** - The tire ply (layers) number is rated in letters; 2-ply,4-ply,6-ply, etc.
10. **Wheel Hub** - The wheel hub is connected to the trailer's axle.
11. **Tire Rim** - Tires mounted on a tire rim. The tire rim must match the size of the tire.
12. **Lug Nuts** - Used to secure the wheel to the wheel hub. Always use a torque wrench to tighten down the lug nuts. See Table 16 and Figure 59 for lug nut tightening and sequence.
13. **Axle** - Indicates the maximum weight the axle can support in pounds, and the diameter of the axle expressed in inches. Please note that some trailers have a double axle. This will be shown as 2-6000 lbs., meaning two axles with a total weight capacity of 6000 pounds.
14. **Suspension** - Protects the trailer chassis from shocks transmitted through the wheels. Types of suspension used are leaf, Q-flex, and air ride.
15. **Electrical** - Electrical connectors (looms) are provided with the trailer so the brake lights and turn signals can be connected to the towing vehicle.
16. **Application** - Indicates which units can be employed on a particular trailer.

## Brakes

Trailer brakes should be inspected the **first 200 miles** of operation. This will allow the brake shoes and drums to seat properly. After the first 200 mile interval, inspect the brakes **every 3,000 miles**. If driving over rough terrain, inspect the brakes more frequently.

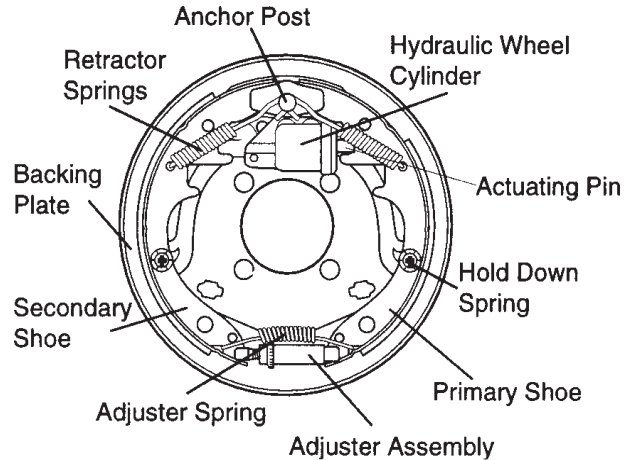
Figure 59 displays the major hydraulic surge brake components that will require inspection and maintenance. Please inspect these components as required using steps 1 through 8 and Table 15 as listed below:

### Brake Adjustment

1. Place the trailer on jack stands. Make sure the jack stands are placed on secure level ground.
2. Check the wheel and drum for free rotation.
3. Remove the adjusting hole cover from the adjusting slot at the bottom brake backing plate.
4. With a screwdriver or standard adjusting tool, rotate the star wheel of the adjuster assembly to expand the brake shoes.
5. Adjust the brake shoes outward until the pressure of the lining against the wheel drum makes the wheel difficult to turn.
6. Adjust, rotate the star wheel in the opposite direction until the wheel rotates freely with slight lining drag.
7. Replace the adjusting hole cover and lower the trailer to the ground.
8. Repeat steps 1 through 7 on the remaining brakes.

## Hydraulic Surge Brakes

Hydraulic surge brakes (Figure 59) should not require any special attention with the exception of routine maintenance such as shoe and lining replacement. Brake lines should be periodically checked for cracks, kinks, or blockage.



**Figure 59. Hydraulic Brake Components**

### Actuator

Hydraulic surge braking requires the installation of an actuator at the tongue of the trailer. Remember the **surge** or **push** of the trailer toward the tow vehicle automatically synchronizes the trailer brakes with the tow vehicle brakes. As the trailer pushes against the tow vehicle the actuator telescopes together and applies force to the master cylinder, supplying hydraulic pressure to the trailer brakes.

Periodically check and test the surge “**actuator**” to make sure that it is functioning correctly. Never use an undersize actuator.

**Table 15. Hydraulic Brake Troubleshooting**

Symptom	Possible Cause	Solution
No Brakes	Brake line broken or kinked?	Repair or replace.
Weak Brakes or Brakes Pull to One Side	Brake lining glazed?	Reburnish or replace.
	Trailer overloaded?	Correct weight.
	Brake drums scored or grooved?	Machine or replace.
	Tire pressure correct?	Inflate all tires equally.
	Tires unmatched on the same axle?	Match tires.
Locking Brakes	Brake components loose, bent or broken?	Replace components.
	Brake drums out-of-round?	Replace.
Noisy Brakes	System lubricated?	Lubricate.
	Brake components correct?	Replace and correct.
Dragging Brakes	Brake lining thickness incorrect or not adjusted correctly?	Install new shoes and linings.
	Enough brake fluid or correct fluid?	Replace rubber parts fill with dot 4 fluid.

# DCA-220SSVU — TRAILER MAINTENANCE

## Tires/Wheels/Lug Nuts

Tires and wheels are a very important and critical components of the trailer. When specifying or replacing the trailer wheels it is important the wheels, tires, and axle are properly matched.

### CAUTION - EYESIGHT HAZARD

**ALWAYS** wear safety glasses when removing or installing force fitted parts. Failure to comply may result in serious injury.



### CAUTION - REPAIRING TRAILER WHEELS

**DO NOT** attempt to repair or modify a wheel. **DO NOT** install in inner tube to correct a leak through the rim. If the rim is cracked, the air pressure in the inner tube may cause pieces of the rim to explode (break off) with great force and cause serious eye or bodily injury.



## Tire Wear/Inflation

Tire inflation pressure is the most important factor in tire life. Pressure should be checked cold before operation **DO NOT** bleed air from tires when they are **hot!** Check inflation pressure weekly during use to insure the maximum tire life and tread wear.

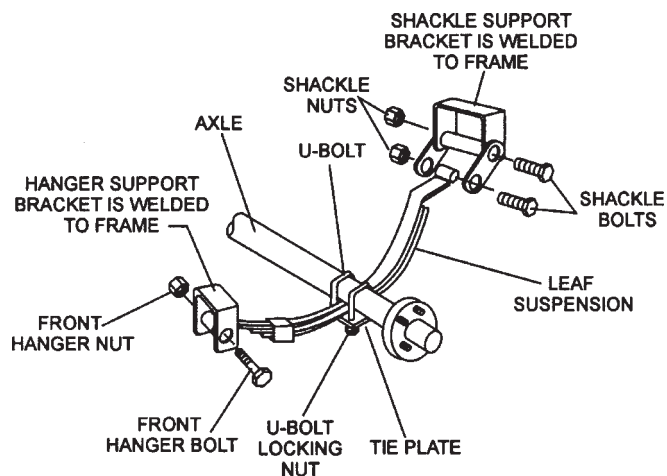
Table 16 (Tire Wear Troubleshooting) will help pinpoint the causes and solutions of tire wear problems.

**TABLE 16. TIRE WEAR TROUBLESHOOTING**

WEAR PATTERN	CAUSE	SOLUTION
Center Wear	Over Inflation.	Adjust pressure to particular load per tire manufacturer.
Edge Wear	Under Inflation.	Adjust pressure to particular load per tire manufacturer.
Side Wear	Loss of camber or overloading.	Make sure load does not exceed axle rating. Align wheels.
Toe Wear	Incorrect toe-in.	Align wheels.
Cupping	Out-of-balance.	Check bearing adjustment and balance tires.
Flat Spots	Wheel lockup & tire skidding.	Avoid sudden stops when possible and adjust brakes.

## Suspension

The **leaf suspension** springs and associated components (Figure 60) should be visually inspected every 6,000 miles for signs of excessive wear, elongation of bolt holes, and loosening of fasteners. Replace all damaged parts (suspension) immediately. Torqued suspension components as detailed in Table 17.



**Figure 60. Major Suspension Components**

**Table 17. Suspension Torque Requirements**

Item	Torque (Ft.-Lbs.)
3/8" U-BOLT	MIN-30 MAX-35
7/16" U-BOLT	MIN-45 MAX-60
1/2" U-BOLT	MIN-45 MAX-60
SHACKLE BOLT SPRING EYE BOLT	SNUG FIT ONLY. PARTS MUST ROTATE FREELY. LOCKING NUTS OR COTTER PINS ARE PROVIDED TO RETAIN NUT-BOLT ASSEMBLY.
SHOULDER TYPE SHACKLE BOLT	MIN-30 MAX-50

# DCA-220SSVU — TRAILER MAINTENANCE

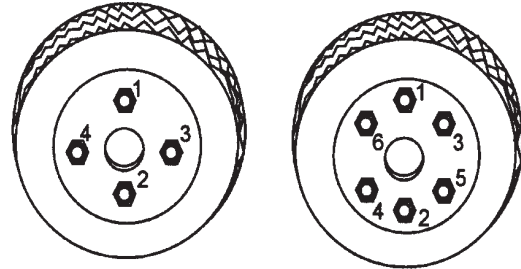
## Lug Nut Torque Requirements

It is extremely important to apply and maintain proper wheel mounting torque on the trailer. Be sure to use only the fasteners matched to the cone angle of the wheel. Proper procedure for attachment of the wheels is as follows:

1. Start all wheel lug nuts by hand.
2. Torque all lug nuts in sequence (see Figure 61). **DO NOT** torque the wheel lug nuts all the way down. Tighten each lug nut in 3 separate passes as defined by Table 18.
3. After first road use, retorque all lug nuts in sequence. Check all wheel lug nuts periodically.

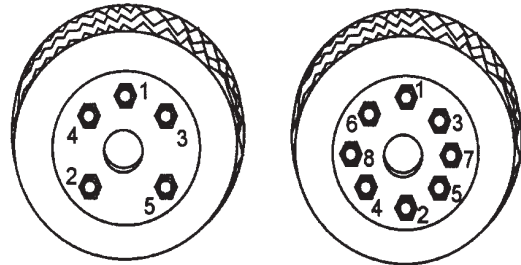
Table 18. Tire Torque Requirements

Wheel Size	First Pass FT-LBS	Second Pass FT-LBS	Third Pass FT-LBS
12"	20-25	35-40	50-65
13"	20-25	35-40	50-65
14"	20-25	50-60	90-120
15"	20-25	50-60	90-120
16"	20-25	50-60	90-120



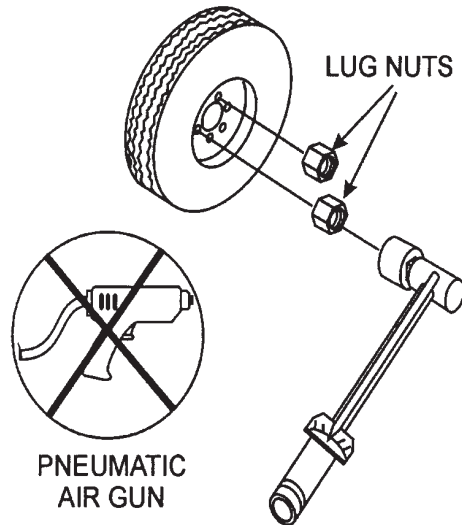
4-LUG NUTS

6-LUG NUTS



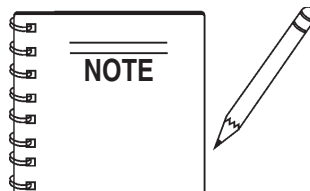
5-LUG NUTS

8-LUG NUTS



TORQUE WRENCH

Figure 61. Wheel Lug Nuts Tightening Sequence



**NEVER** use an pneumatic air gun to tighten wheel lug nuts.



# DCA-220SSVU — TRAILER WIRING DIAGRAM

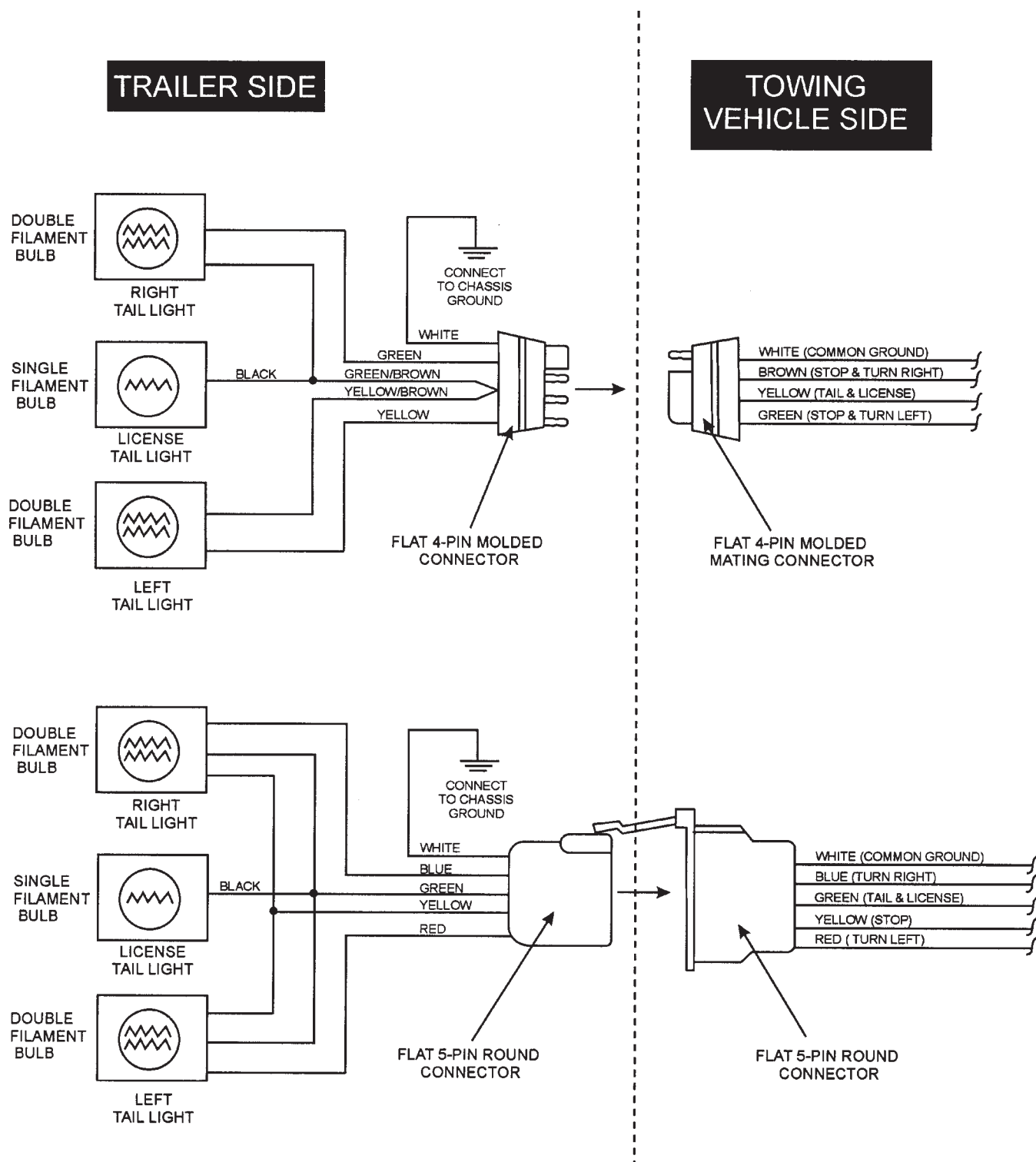


Figure 62. Trailer/Towing Vehicle Wiring Diagram



# DCA-220SSVU — GENERATOR WIRING DIAGRAM

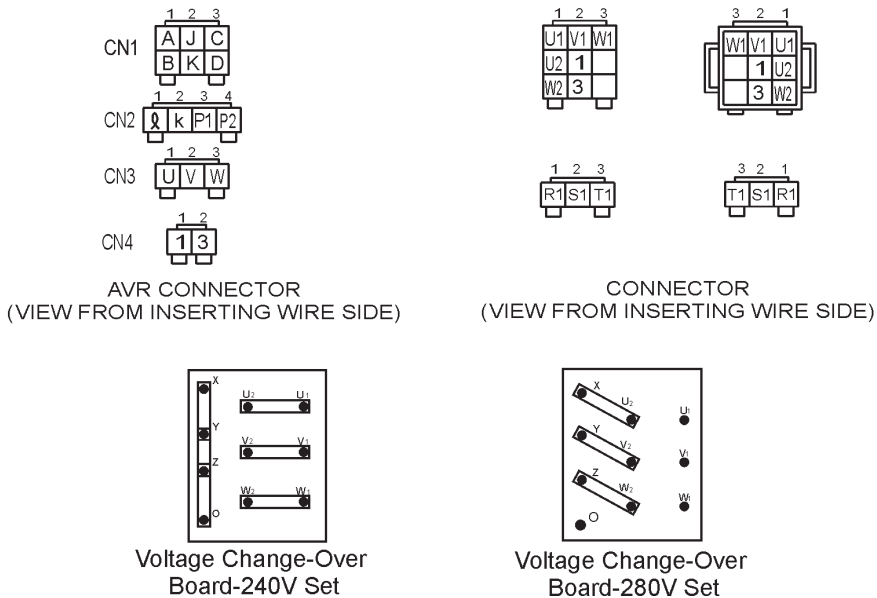
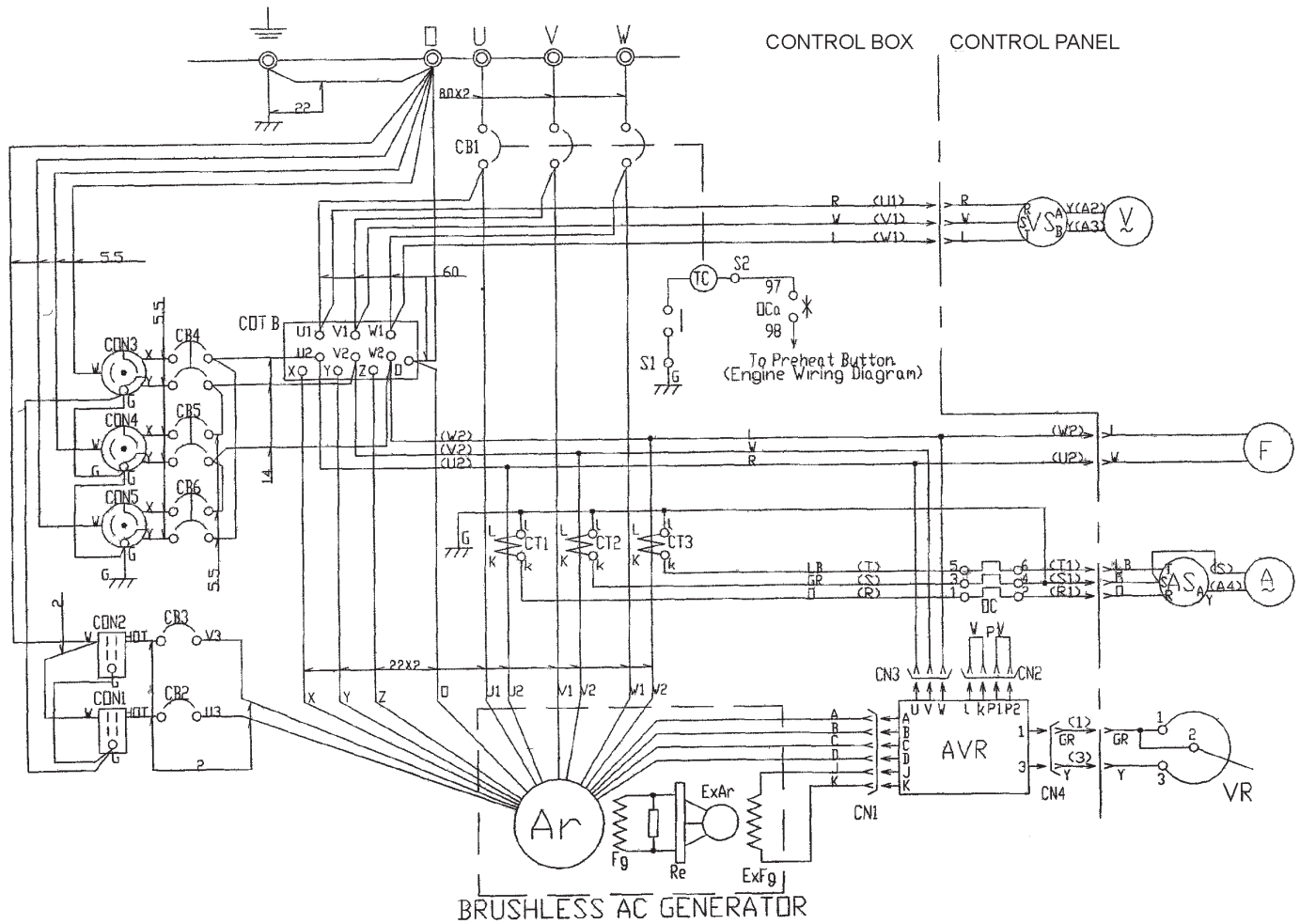


Figure 63. Generator Wiring Diagram

# DCA-220SSVU — ENGINE WIRING DIAGRAM

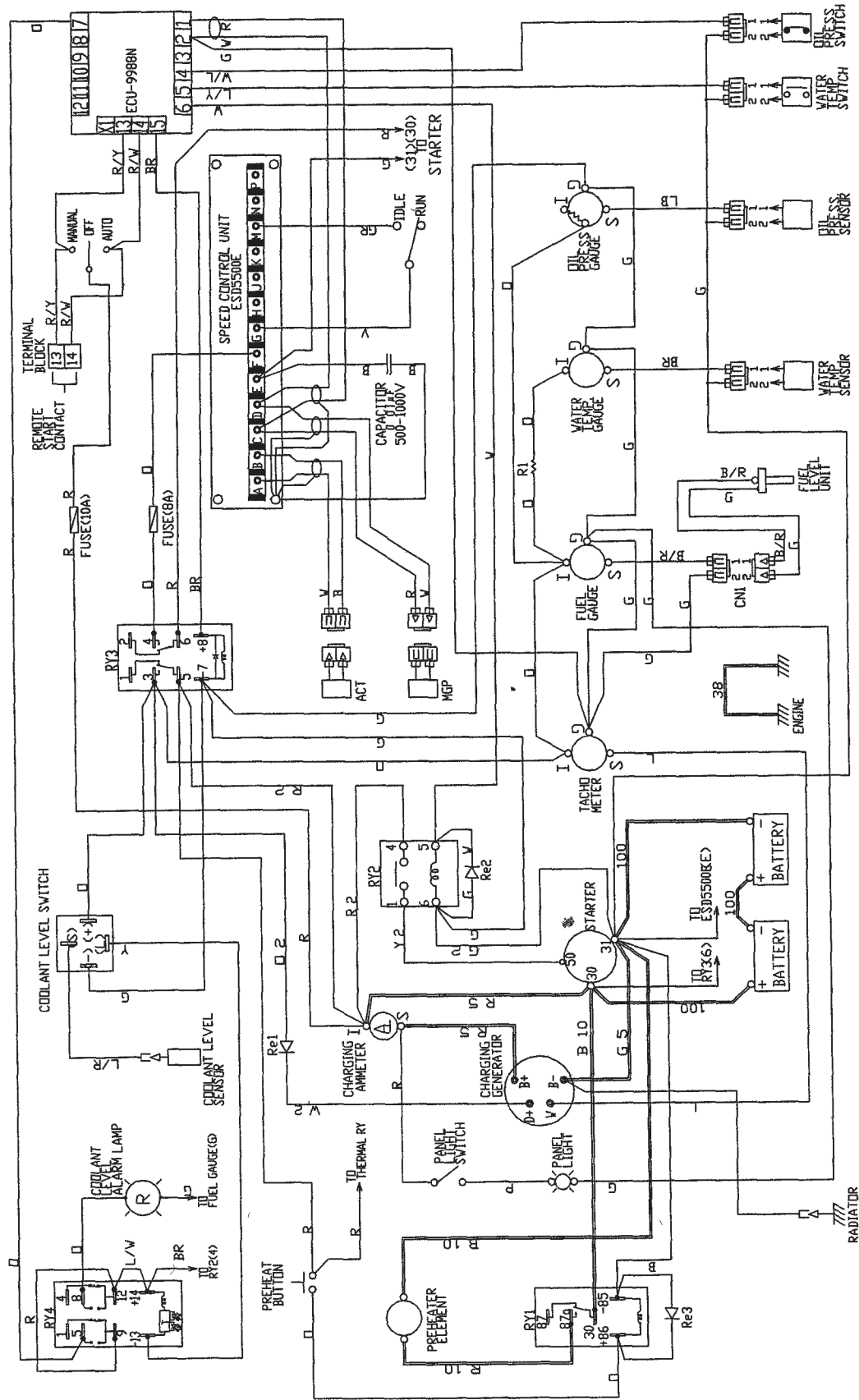


Figure 64. Engine Wiring Diagram

## DCA-220SSVU — TROUBLESHOOTING (GENERATOR)

Practically all breakdowns can be prevented by proper handling and maintenance inspections, but in the event of a breakdown, use Table 19 shown below for diagnosis of the Generator. If the problem cannot be remedied, consult our company's business office or service plant.

**TABLE 19. GENERATOR TROUBLESHOOTING**

SYMPTOM	POSSIBLE PROBLEM	SOLUTION
No Voltage Output	AC Voltmeter defective?	Check output voltage using a voltmeter.
	Is wiring connection loose?	Check wiring and repair.
	Is AVR defective?	Replace if necessary.
	Defective Rotating Rectifier?	Check and replace.
	Defective Exciter Field?	Check for 17.3 ohms across J & K on CN1
Low Voltage Output	Is engine speed correct?	Turn engine throttle lever to "High".
	Is wiring connections loose?	Check wiring and repair.
	Defective AVR?	Replace if necessary.
High Voltage Output	Is wiring connections loose?	Check wiring and repair.
	Defective AVR?	Replace if necessary.
Circuit Breaker Tripped	Short Circuit in load?	Check load and repair.
	Over current?	Confirm load requirements and reduce.
	Defective circuit breaker?	Check and replace.
	Over current Relay actuated?	Confirm load requirement and replace.

## DCA-220SSVU — TROUBLESHOOTING (ENGINE CONTROLLER)

Practically all breakdowns can be prevented by proper handling and maintenance inspections, but in the event of a breakdown, use Table 20 (Engine Controller Troubleshooting) as a basic guideline for troubleshooting the Microprocessor Engine Controller unit (MPEC). If the problem cannot be remedied, consult our company's business office or service plant.

**TABLE 20. ENGINE CONTROLLER TROUBLESHOOTING (MPEC)**

SYMPTOM	POSSIBLE PROBLEM	SOLUTION
Low oil pressure light is on.	Low oil level?	Fill oil level.
	Oil pressure sending unit failure?	Replace oil pressure sending unit.
	Time delay malfunction in Controller?	Refer to dealer.
	Wire shorted?	Inspect/repair wire.
Low coolant level light is on. (Optionally Installed)	Low coolant level?	Fill coolant level.
	Sending unit failure?	Replace sending unit.
	Low battery voltage?	Replace/charge battery.
High coolant temperature light is on.	Fan belt tension incorrect?	Tighten/replace fan belt.
	Air flow is not circulation through radiator?	Clean/repair radiator grill.
	Doors open?	Close doors.
	Exhaust leaking?	Replace/repair gaskets or faulty part.
	Generator being overloaded?	Check/reduce load.
	Thermostat failure?	Replace thermostat.
	Air intake blocked?	Clear all air intakes.
	Temperature switch failure?	Replace temperature switch.
Overcrank light is on.	No or low Fuel?	Fill fuel level.
	Controller needs to be calibrated?	Refer to dealer.
Overspeed light is on.	RPM engine speed too high?	Adjust RPM.
	Governor actuator needs to be adjusted?	Adjust governor actuator.
	Governor controller needs to be adjusted?	Adjust governor controller.
	Engine Controller needs to be calibrated?	Refer to dealer.
Loss of MPU light(s) or on.	Magnetic pick up out of adjustment?	Adjust magnetic pick up.
	Magnetic pick up dirty?	Clean magnetic pick up.

# DCA-220SSVU — EXPLANATION OF CODE IN REMARKS COLUMN

The following section explains the different symbols and remarks used in the Parts section of this manual. Use the help numbers found on the back page of the manual if there are any questions.

The contents and part numbers listed in the parts section are subject to change **without notice**. Multiquip does not guarantee the availability of the parts listed.

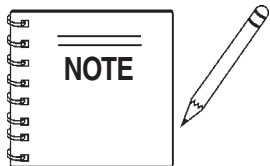
Sample Parts List:

NO.	PART NO.	PART NAME	QTY.	REMARKS
1	12345	BOLT .....	1 ....	INCLUDES ITEMS W/*
2*		WASHER, 1/4 IN. ....		NOT SOLD SEPARATELY
2*	12347	WASHER, 3/8 IN. ....	1 ....	MQ-45T ONLY
3	12348	HOSE .....	A/R ..	MAKE LOCALLY
4	12349	BEARING .....	1 ....	S/N 2345B AND ABOVE

## NO. Column

**Unique Symbols** - All items with same unique symbol (\*, #, +, %, or >) in the number column belong to the same assembly or kit, which is indicated by a note in the "Remarks" column.

**Duplicate Item Numbers** - Duplicate numbers indicate multiple part numbers are in effect for the same general item, such as different size saw blade guards in use or a part that has been updated on newer versions of the same machine.



When ordering a part that has more than one item number listed, check the remarks column for help in determining the proper part to order.

## PART NO. Column

**Numbers Used** - Part numbers can be indicated by a number, a blank entry, or TBD.

TBD (To Be Determined) is generally used to show a part that has not been assigned a formal part number at time of publication.

A blank entry generally indicates that the item is not sold separately or is not sold by Multiquip. Other entries will be clarified in the "Remarks" Column.

## QTY. Column

**Numbers Used** - Item quantity can be indicated by a number, a blank entry, or A/R.

A/R (As Required) is generally used for hoses or other parts that are sold in bulk and cut to length.

A blank entry generally indicates that the item is not sold separately. Other entries will be clarified in the "Remarks" Column.

## REMARKS Column

Some of the most common notes found in the "Remarks" Column are listed below. Other additional notes needed to describe the item can also be shown.

**Assembly/Kit** - All items on the parts list with the same unique symbol will be included when this item is purchased.

Indicated by:

"INCLUDES ITEMS W/(unique symbol)"

**Serial Number Break** - Used to list an effective serial number range where a particular part is used.

Indicated by:

"S/N XXXXX AND BELOW"

"S/N XXXX AND ABOVE"

"S/N XXXX TO S/N XXX"

**Specific Model Number Use** - Indicates that the part is used only with the specific model number or model number variant listed. It can also be used to show a part is NOT used on a specific model or model number variant.

Indicated by:

"XXXXX ONLY"

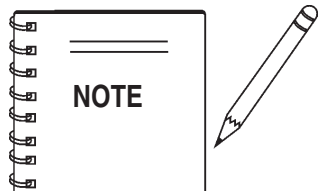
"NOT USED ON XXXX"

**"Make/Obtain Locally"** - Indicates that the part can be purchased at any hardware shop or made out of available items. Examples include battery cables, shims, and certain washers and nuts.

**"Not Sold Separately"** - Indicates that an item cannot be purchased as a separate item and is either part of an assembly/kit that can be purchased, or is not available for sale through Multiquip.

## DCA-220SSVU WHISPER WATT GENERATOR W/VOLVO PENTA TAD741GE DIESEL ENGINE 1 TO 3 UNITS

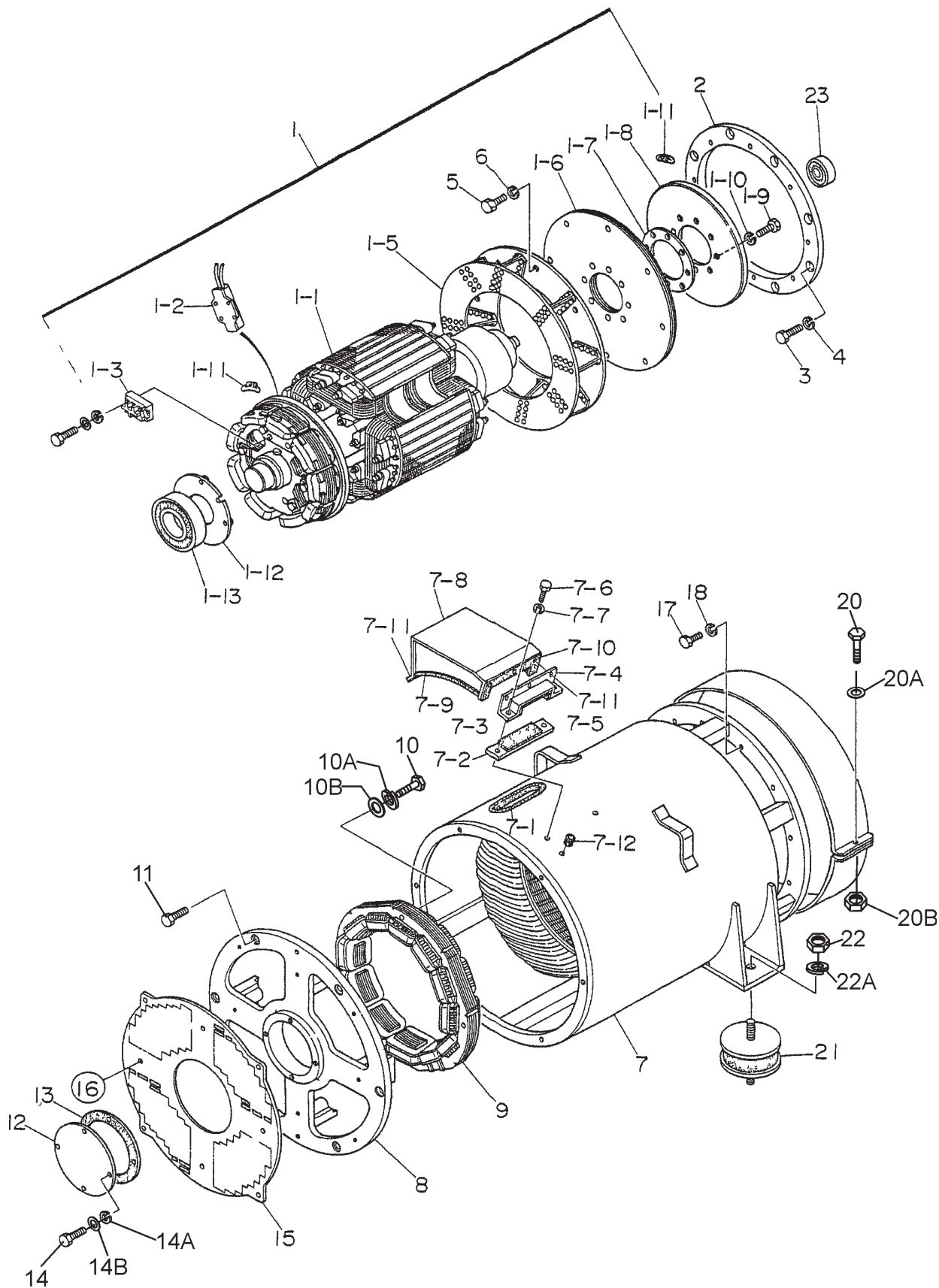
<u>Qty.</u>	<u>P/N</u>	<u>Description</u>
1 .....	V3827051 .....	HOSE, RADIATOR UPPER
1 .....	V3827052 .....	HOSE, RADIATOR LOWER
1 .....	V866095 .....	RADIATOR CAP
1 .....	0605505070 .....	FUEL CAP
1 .....	V966846 .....	V-BELT SET, MAIN S/N 2071145377 AND BELOW
1 .....	V966847 .....	V-BELT SET, MAIN S/N 2071145378 AND ABOVE
1 .....	V873771 .....	ALTERNATOR 12 VDC
1 .....	V9146844 .....	V-BELT, ALTERNATOR
1 .....	V863169 .....	MONITOR, OIL PRESSURE
1 .....	V866835 .....	SENSOR, OIL PRESSURE
1 .....	V848829 .....	TEMP SENSOR UNIT
1 .....	V862154 .....	SWITCH, TEMPERATURE SENSOR
1 .....	V8488229 .....	SENSOR, TEMPERATURE
6 .....	V3825133 .....	FILTER, FUEL
6 .....	V8159975 .....	FILTER, WATER SEPARATOR
6 .....	V466634 .....	FILTER, OIL CARTRIDGE
6 .....	V477556 .....	FILTER, OIL CARTRIDGE BI-PASS
3 .....	V3827589 .....	FILTER, AIR (ELEMENT)
1 .....	0601870420 .....	CIRCUIT BREAKER
2 .....	LY2DUS24VDC ...	RELAY



Part number on this Suggested Spare Parts list may supercede/replace the P/N shown in the text pages of this book.

# DCA-220SSVU — GENERATOR ASSY.

## GENERATOR ASSY.





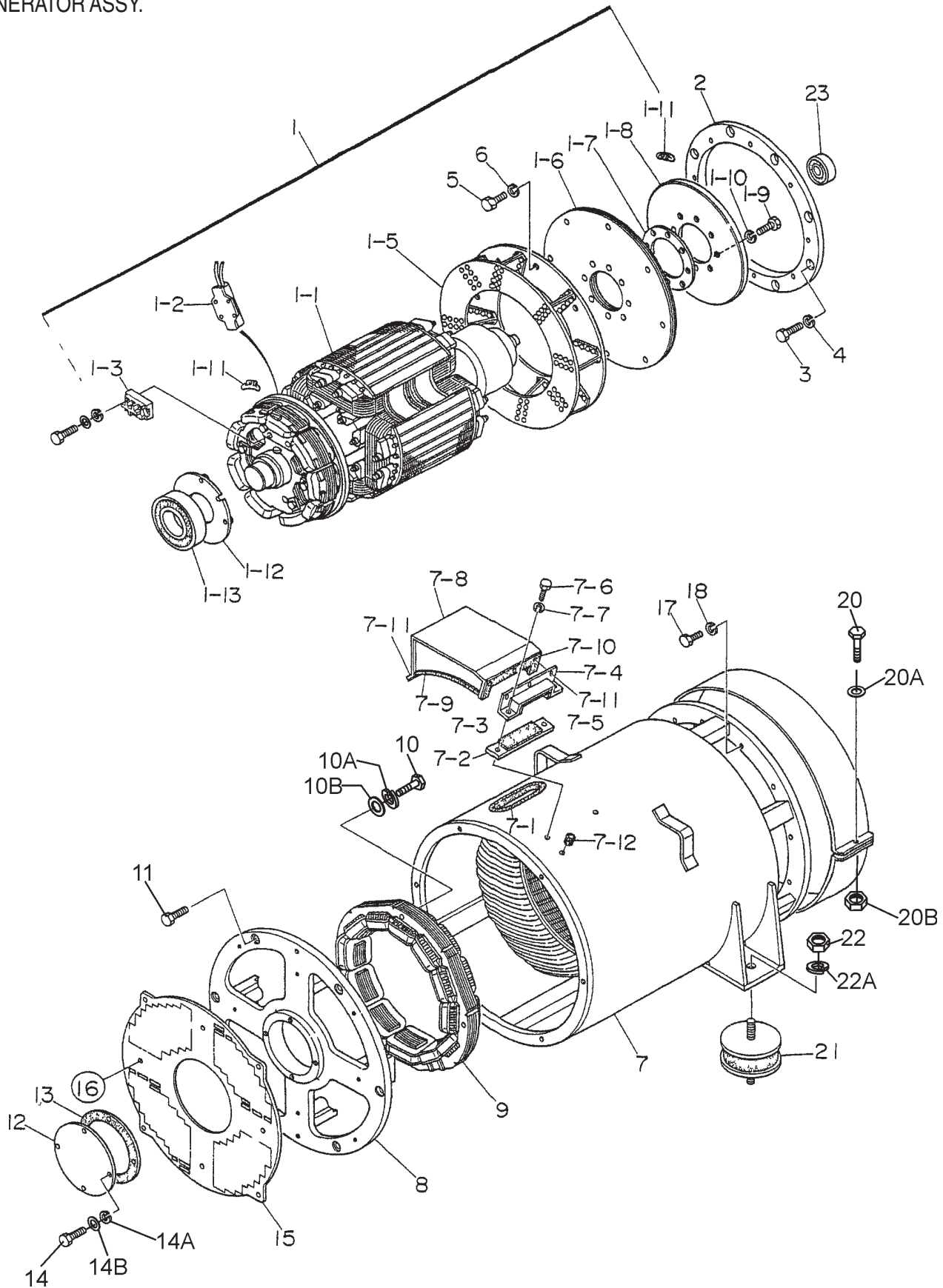
# DCA-220SSVU — GENERATOR ASSY.

## GENERATOR ASSY.

<u>NO.</u>	<u>PART NO.</u>	<u>PART NAME</u>	<u>QTY.</u>	<u>REMARKS</u>
1	C1110000002	ROTOR ASSEMBLY .....	1 .....	INCLUDES ITEMS W/*
1-1*		FIELD ASSEMBLY	1	
1-2*	0601842334	RESISTOR, 80W 100K OHM	1	
1-3*	0601823282	RECTIFIER, RM50TC- 24	1	
1-4*	0018205020	HEX. SOCKET HEAD CAP SCREW	2	
1-4A	0040005000	SPRING WASHER	2	
1-4B	0041205000	PLAIN WASHER	2	
1-5	8171070002	FAN	1	
1-6	8171611003	COUPLING DISK	9	
1-7	C1164200004	WASHER, COUPLING HUB	1	
1-8	8171015003	BALANCING PLATE .....	1 .....	PURCHASE ITEM 1-11 AS A SET
1-9	012116045	HEX. HEAD BOLT	8	
1-10	0042616000	SPRING WASHER	8	
1-11	0601000209	BALANCING WEIGHT KIT	1	
1-12	C1112500004	BEARING FLANGE	1	
1-13	0071906314	BEARING, 6314DDU C3	1	
2	M4163400003	COUPLING RING	1	
3	0343206120	HEX. HEAD BOLT	8	
4	0043606000	SPRING WSHER	8	
5	0012112040	HEX. HEAD BOLT	8	
6	0042512000	SPRING WASHER	8	
7	C1130100103	STATOR ASSEMBLY .....	1 .....	INCLUDES ITEMS W/#
7-1#	0226100420	RUBBER SEAL	1	
7-2#	8171323004	CLAMPER	1	
7-3#	0223300120	RUBBER SEAL	1	
7-4#	8171323103	CLAMPER	1	
7-5#	0221200300	RUBBER SEAL	1	
7-6#	0010110035	HEX. HEAD BOLT	2	
7-7#	0041210000	PLAIN WASHER	2	
7-8#	C1132200003	COVER	1	
7-9#	0226000510	RUBBER SEAL	1	
7-10#	0225000470	RUBBER SEAL	1	
7-11#	0017106016	HEX. HEAD BOLT	6	
7-12#	0601850144	GROMMET	1	
8	C1154999992	END BRACKET	1	
9	C1138000003	FIELD ASSEMBLY, EXCITER	1	

# DCA-220SSVU — GENERATOR ASSY. (CONT.)

## GENERATOR ASSY.



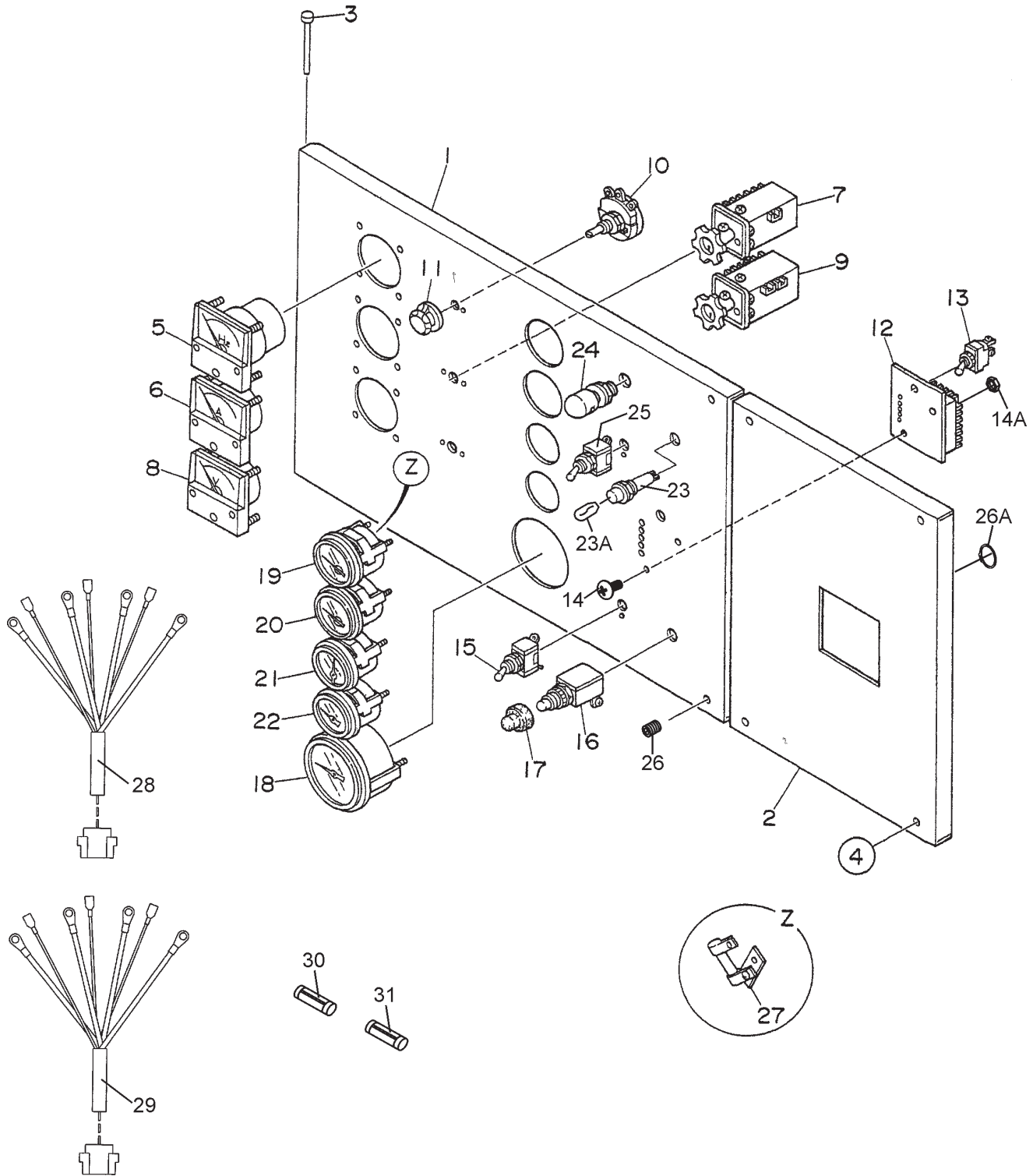
## DCA-220SSVU — GENERATOR ASSY. (CONT.)

### GENERATOR ASSY. (CONT.)

<u>NO.</u>	<u>PART NO.</u>	<u>PART NAME</u>	<u>QTY.</u>	<u>REMARKS</u>
10	0012110065	HEX. HEAD BOLT	4	
10A	0042610000	SPRING WASHER	4	
10B	0041210000	PLAIN WASHER	4	
11	0017112045	HEX. HEAD BOLT	6	
12	C1154400004	COVER, BEARING	1	
13	C1154300004	GASKET, BEARING	1	
14	0010106060	HEX. HEAD BOLT	4	
14A	0040006000	SPRING WASHER	4	
14B	0041206000	PLAIN WASHER	4	
15	C1154400103	SUCTION COVER	1	
16	0017106016	HEX. HEAD BOLT	8	
17	0343205150	HEX. HEAD BOLT	12	
18	0043605000	SPRING WASHER	12	
19	C1132300114	COVER, FAN	1	
20	0010106030	HEX. HEAD BOLT	1	
20A	0041206000	PLAIN WASHER	1	
20B	0600815000	NUT	1	
21	0605000012	RUBBER SUSPENSION	2	
22	0030020000	HEX. NUT	4	
22A	0040020000	SPRING WASHER	4	
23	0070506907	BEARING, 6907ZZ	1	

# DCA-220SSVU— CONTROL PANEL ASSY.

## CONTROL PANEL ASSY.



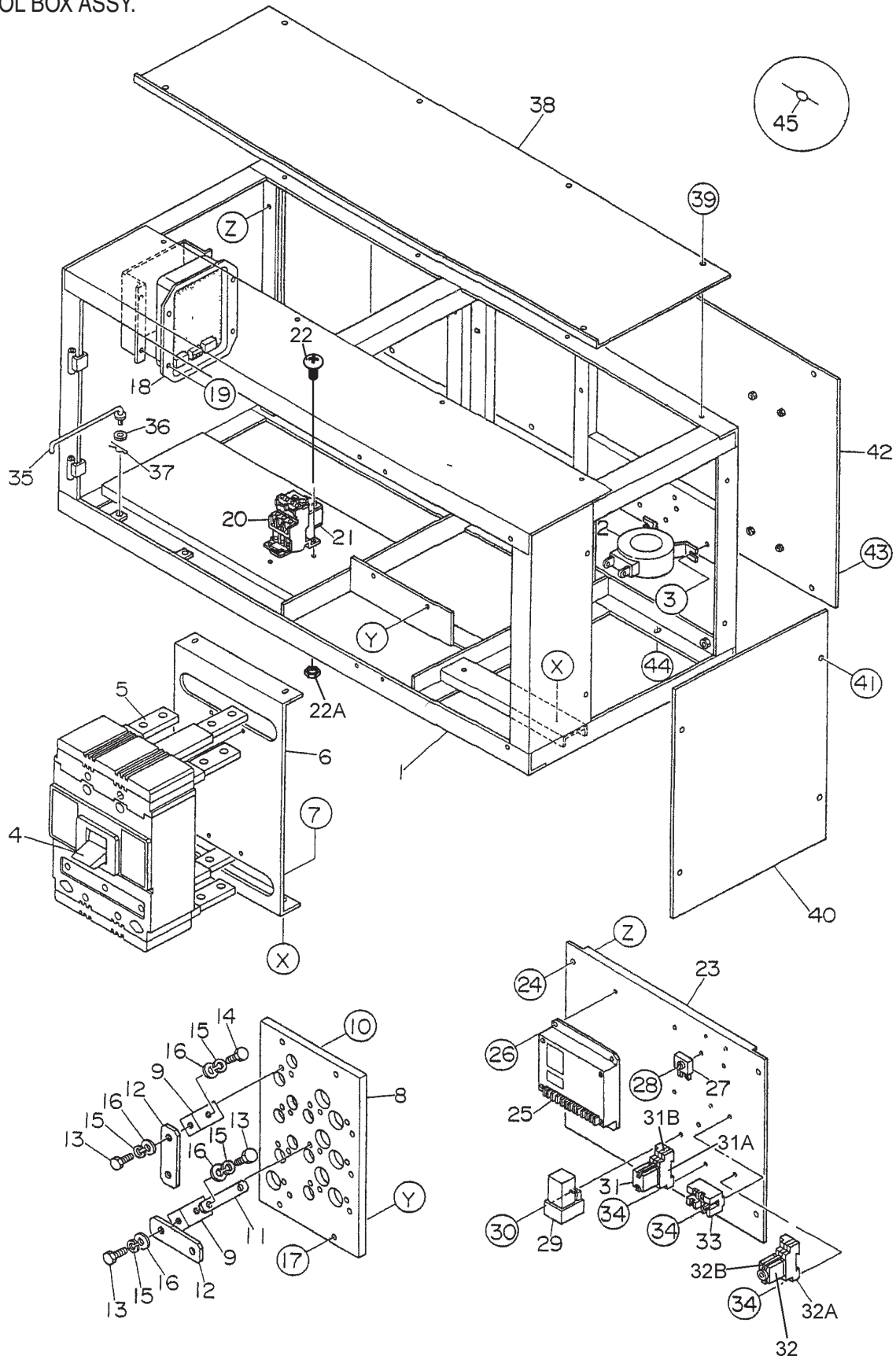
# DCA-220SSVU— CONTROL PANEL ASSY.

## CONTROL PANEL ASSY.

<u>NO.</u>	<u>PART NO.</u>	<u>PART NAME</u>	<u>QTY.</u>	<u>REMARKS</u>
1	M4223000013	CONTROL PANEL	1	
2	M4223000203	CONTROL PANEL	1	
3	0605011211	PIN	2	
4	0016908035	HEX. HEAD BOLT	4	
5	0601807642	FREQUENCY METER, 45 ~65 HZ 240V	1	
6	0601808992	AC AMMETER, 0~800A	1	
7	0601801040	CHANGE- OVER SWITCH, AMMETER	1	
8	0601800275	AC VOLTMETER, 0~600V	1	
9	0601801041	CHANGE- OVER SWITCH, VOLTMETER	1	
10	0601840073	RHEOSTAT (VR), 2W 1K OHM	1	
11	0601840121	KNOB	1	
12	ECU9988N220V	CONTROLLER, ECU .....	1	REPLACES P/N 0602202545
13	0601831340	SWITCH	1	
14	0027104035	MACHINE SCREW	2	
14A	0207004000	HEX. NUT	2	
15	0601831395	ENGINE SPEED SWITCH	1	
16	0601831585	PREHEAT BUTTON	1	
17	0601831586	CAP	1	
18	0602120096	TACHOMETER	1	
19	0602122098	OIL PRESSEUR GAUGE	1	
20	0602123096	WATER TEMPERATURE GAUGE	1	
21	0602121080	CHARGING AMMETER	1	
22	0602125091	FUEL GAUGE	1	
23	0602103090	ALARM LAMP	1	
24	0601810120	PANEL LIGHT	1	
25	0601831330	SWITCH, PANEL LIGHT	1	
26	M9220100004	SET SCREW	2	
26A	0080200007	SNAP RING	2	
27	0601842450	VOLTAGE DIVIDER	1	
28	M4246700204	WIRE HARNESS, GENERATOR	1	
29	M4357200032	WIRE HARNESS, ENGINE	1	
30	0601802149	FUSE, 10A	1	
31	0601802126	FUSE, 8A	1	

# DCA-220SSVU— CONTROL BOX ASSY.

CONTROL BOX ASSY.



# DCA-220SSVU— CONTROL BOX ASSY.

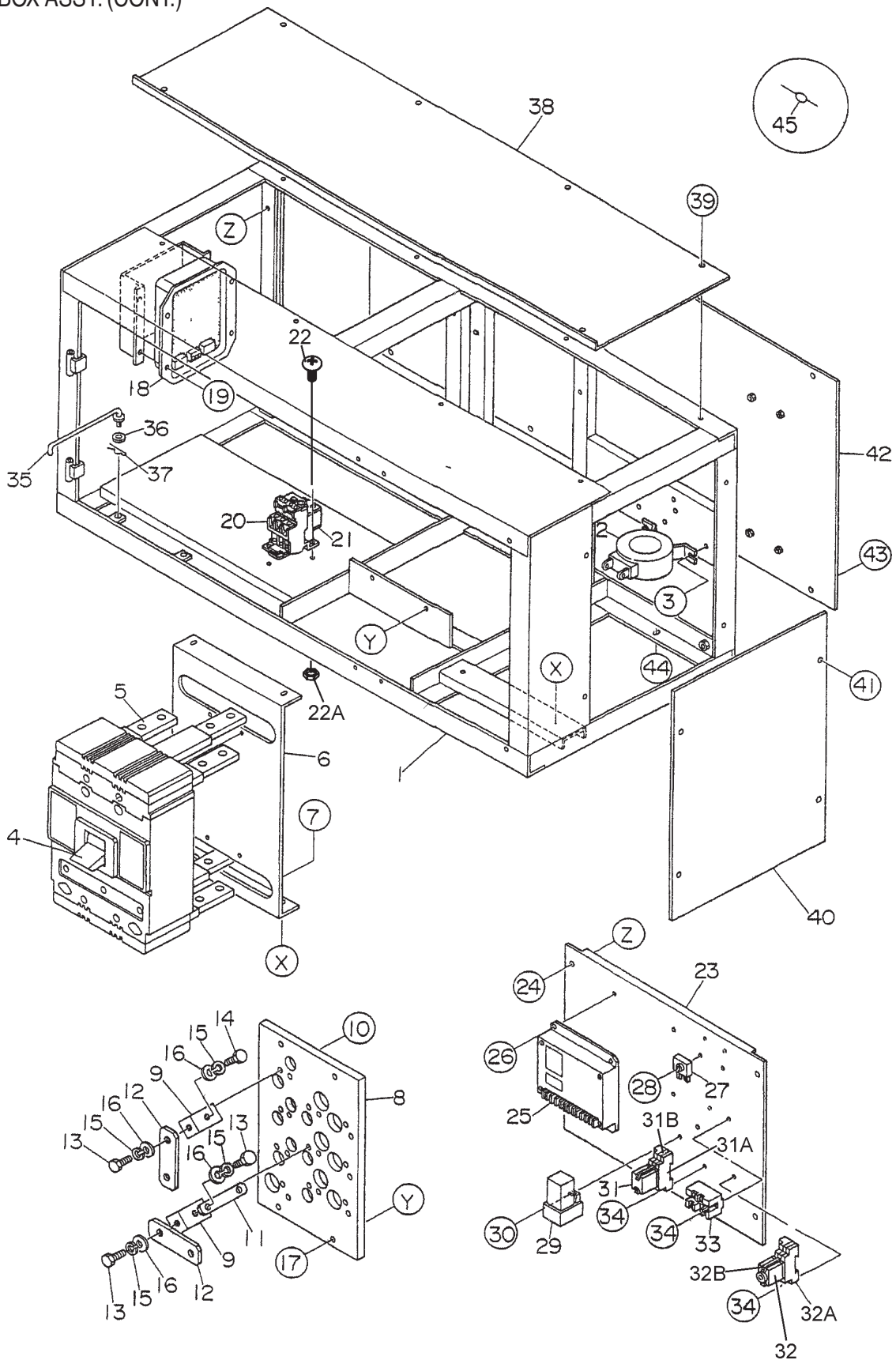
## CONTROL BOX ASSY.

<u>NO.</u>	<u>PART NO.</u>	<u>PART NAME</u>	<u>QTY.</u>	<u>REMARKS</u>
1	M4213000012	CONTROL BOX	1	
2	0601809690	CURRENT TRANSFORMER	3	
3	0027106016	MACHINE SCREW	6	
4	0601870420	CIRCUIT BREAKER, 600A	1	
5	0601815168	REAR CONNECTOR KIT	1	
6	M421360024	SET PANEL, CIRCUIT BREAKER	1	
7	0016908035	HEX. HEAD BOLT	4	
8	M4273000003	TERMINAL BOARD, VOLTAGE CHANGE- OVER	1	
9	M4276400004	CHANGE TERMINAL	10	
10	0017106025	HEX. HEAD BOLT	20	
11	M4276200004	TERMINAL PLATE	3	
12	M4276300004	CHANGE- OVER PLATE	6	
13	M9220100104	TIE BOLT	13	
14	M9220100104	TIE BOLT	13	
15	0040010000	SPRING WASHER	26	
16	0041410000	PLAIN WASHER	26	
17	0016900030	HEX. HEAD BOLT	4	
18	0601820625	AUTOMATIC VOLTAGE REGULATOR	1	
19	0027105016	MACHINE SCREW	4	
20	0601820845	OVER CURRENT RELAY, LR2D1308	1	
21	0601820846	OVER CURRENT RELAY, LA7D1064	1	
22	0027104016	MACHINE SCREW	2	
22A	0207004000	HEX. NUT	2	
23	M4260600214	SET PANEL, ELECTRIC PARTS	1	
24	0016908020	HEX. HEAD BOLT	4	
25	0602202568	SPEED CONTROL UNIT	1	
26	0027105016	MACHINE SCREW	4	
27	0601821370	RECTIFIER .....	2	REPLACES P/N 0601823240
28	0027104020	MACHINE SCREW	2	
29	V1622515	COOLANT LEVEL SWITCH .....	1	REPLACES P/N 0602202569
30	0027105035	MACHINE SCREW	1	



# DCA-220SSVU— CONTROL BOX ASSY. (CONT)

CONTROL BOX ASSY. (CONT.)



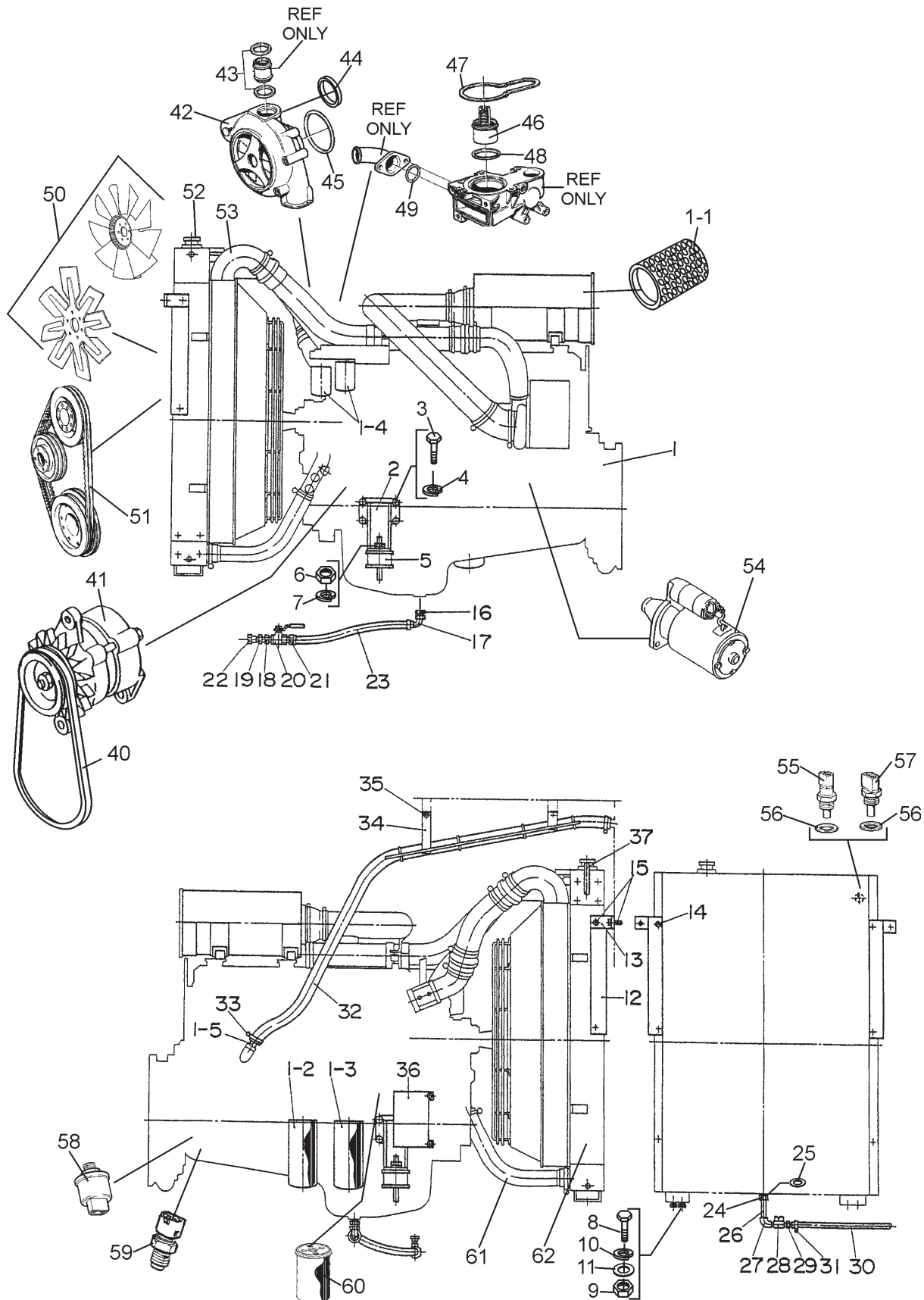
## DCA-220SSVU— CONTROL BOX ASSY. (CONT)

### CONTROL BOX ASSY. (CONT.)

<u>NO.</u>	<u>PART NO.</u>	<u>PART NAME</u>	<u>QTY.</u>	<u>REMARKS</u>
31	LY2DUS24VDC	RELAY, 24VDC .....	1 .....	REPLACES P/N 0601827655
31A	0601823109	RELAY BASE, PTF08A- E	1	
31B	0601824400	RELAY CLIP, PYCA1	2	
32	0601822060	TIMER RELAY, H3Y- 2 DC24V 10SEC	1	
32A	0601823143	RELAY BASE, PYF08A	1	
32B	0601824404	RELAY CLIP, Y92H-3	2	
33	0601827684	RELAY, AHE1232 DC24V	1	
34	0027104020	MACHINE SCREW	6	
35	M4213600104	STOPPER, CONTROL PANEL	1	
36	0041206000	PLAIN WASHER	1	
37	0605010502	SNAP PIN	1	
38	M4213500004	COVER, CONTROL BOX	1	
39	0016908020	HEX. HEAD BOLT	8	
40	M4213300004	SIDE PANEL, CONTROL BOX	1	
41	0016908020	HEX. HEAD BOLT	4	
42	M4213400004	BACK PANEL, CONTROL BOX .....	1 .....	S/N TBD
42	M4213400014	BACK PANEL, CONTROL BOX .....	1 .....	S/N TBD
43	0016908020	HEX.HEAD BOLT	8	
44	0016910025	HEX. HEAD BOLT	4	
45	0601842449	RESISTOR, 3.75KW 150 OHM .....	1 .....	S/N 8000001~8000019
45	0601842449	RESISTOR, 5W 150 OHM .....	1 .....	S/N 8000020 AND ABOVE
46	0027104010	MACHINE SCREW .....	2 .....	S/N 8000020 AND ABOVE

# DCA-220SSVU— ENGINE AND RADIATOR ASSY.

## ENGINE AND RADIATOR ASSY.



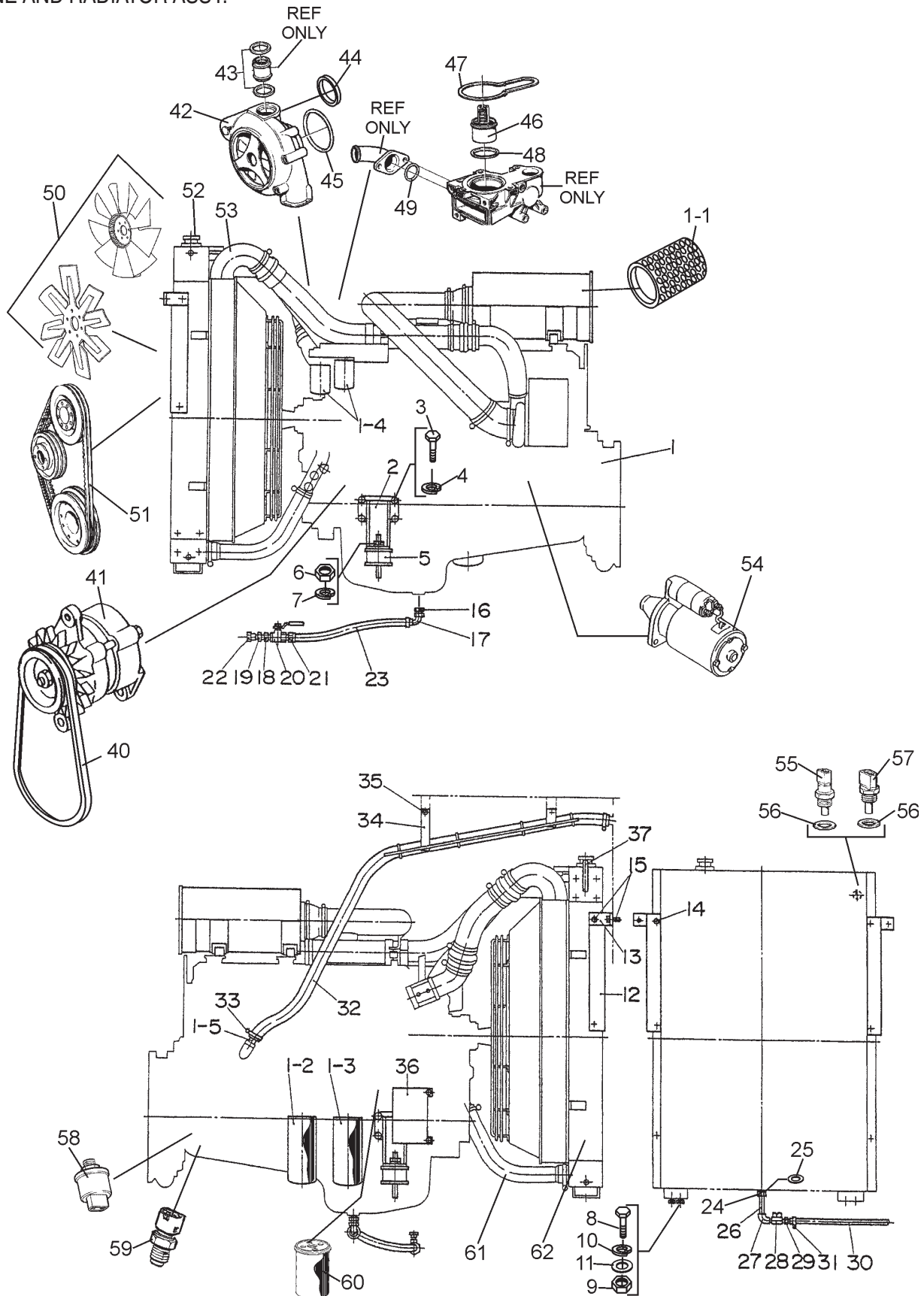
# DCA-220SSVU— ENGINE AND RADIATOR ASSY.

## ENGINE AND RADIATOR ASSY.

<u>NO.</u>	<u>PART NO.</u>	<u>PART NAME</u>	<u>QTY.</u>	<u>REMARKS</u>
1	M4386200004	ENGINE & RAD. SET, TAD741GE .....	1 .....	INCLUDES ITEMS W/*
1-1*	V3827589	ELEMENT, AIR FILTER .....	1 .....	REPLACES P/N 0602046620
1-2*	V466634	FILTER, OIL CARTRIDGE .....	1 .....	REPLACES P/N 0602041275
1-3*	V477556	FILTER, OIL CARTRIDGE, BI- PASS .....	1 .....	REPLACES P/N 0602041276
1-4*	V3825133	CARTRIDGE, FUEL FILTER .....	2 .....	REPLACES P/N 0602042560
1-5*	M4326200004	BREATHER PIPE	1	
2	M4303200004	ENGINE FOOT	2	
3	0012112040	HEX. HEAD BOLT	8	
4	0030012000	SPRING WASHER	8	
5	0605000011	RUBBER SUSPENSION	2	
6	0030016000	HEX. NUT	4	
7	0040016000	SPRING WASHER	4	
8	0017112035	HEX. HEAD BOLT	4	
9	0030012000	HEX. NUT	4	
10	0040012000	SPRING WASHER	4	
11	0041212000	PLAIN WASHER	4	
12	M4310200004	BRACKET, RADIATOR	2	
13	M4310200104	BRACKET, RADIATOR	2	
14	0016908020	HEX. HEAD BOLT	4	
15	0016910025	HEX. HEAD BOLT	4	
16	0602022566	ADAPTER	1	
17	0602022561	90 DEG. ELBOW	1	
18	0603306590	CONNECTOR	1	
19	0603300285	LOCKNUT	1	
20	0605511395	VALVE	1	
21	0603306395	HOSE JOINT	1	
22	0602021070	CAP	1	
23	0269200550	DRAIN HOSE	1	
24	M4323500004	ADAPTER	1	
25	0602012340	PACKING	1	
26	0603306397	LONG NIPPLE	1	
27	0603306497	90 DEG. ELBOW	1	
28	0605511397	VALVE	1	
29	0602022991	HOSE JOINT	1	
30	0191300750	DRAIN HOSE	1	

# DCA-220SSVU— ENGINE AND RADIATOR ASSY.

## ENGINE AND RADIATOR ASSY.



# DCA-220SSVU— ENGINE AND RADIATOR ASSY.

## ENGINE AND RADIATOR ASSY.

<u>NO.</u>	<u>PART NO.</u>	<u>PART NAME</u>	<u>QTY.</u>	<u>REMARKS</u>
31	0605515109	HOSE BAND	1	
32	0269401700	BLOWBY HOSE	1	
33	0605515199	HOSE BAND	2	
34	M4483600003	HOSE GUIDE	1	
35	0016908020	HEX. HEAD BOLT	2	
36	M4303200104	COVER	1	
37	0193601700	OVER FLOW HOSE	1	
40	V9146844	V-BELT, ALTERNATOR	1	
41	V873771	ALTERNATOR 12 VOLT	1	
42	V3183909	COOLANT PUMP	1	
43	V469982	SEAL RING SET, COOLANT PUMP	1	
44	V471629	SEAL RING, COOLANT PUMP	1	
45	V925095	O-RING, COOLANT PUMP	1	
46	V1661993	THERMOSTAT	1	
47	V471788	SEALING RING, THERMOSTAT UPPER	1	
48	V1544710	SEALING RING, THERMOSTAT LOWER	1	
49	V925092	O-RING, THERMOSTAT HOUSING	1	
50	V843869	FAN, RADIATOR .....	1	S/N 2071145377 AND BELOW
50	V3827492	FAN, RADIATOR .....	1	S/N 2071145378 AND ABOVE
51	V966846	V-BELT SET, MAIN .....	1	S/N 2071145377 AND BELOW
51	V966847	V-BELT SET, MAIN .....	1	S/N 2071145378 AND ABOVE
52	V866095	CAP, RADIATOR	1	
53	V3827051	HOSE, RADIATOR UPPER	1	
54	V847307	STARTER MOTOR STANDARD	1	
55	V848829	SENSOR, TEMPERATURE	1	
56	V11998	GASKET	2	
57	V862154	SWITCH, TEMPERATURE SENSOR	1	
58	V866835	SENSOR, OIL PRESSURE	1	
59	V863169	MONITOR, OIL PRESSURE	1	
60	V3825133	FILTER, FUEL	1	
61	V3827052	HOSE, RADIATOR LOWER	1	
62	V3827338	RADIATOR .....	1	S/N 2071145378 AND ABOVE

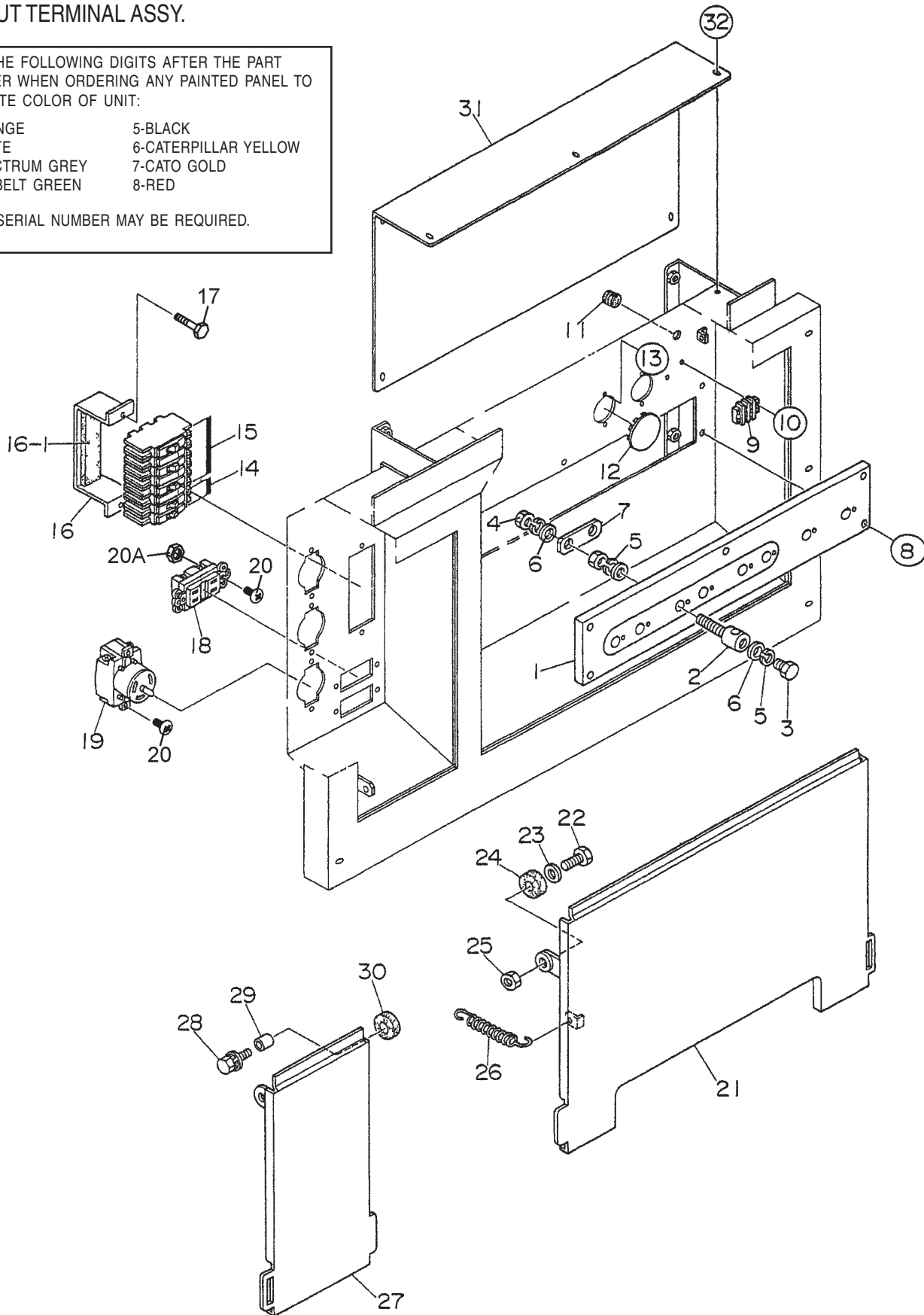
# DCA-220SSVU— OUTPUT TERMINAL ASSY.

## OUTPUT TERMINAL ASSY.

ADD THE FOLLOWING DIGITS AFTER THE PART NUMBER WHEN ORDERING ANY PAINTED PANEL TO INDICATE COLOR OF UNIT:

- |                 |                      |
|-----------------|----------------------|
| 1-ORANGE        | 5-BLACK              |
| 2-WHITE         | 6-CATERPILLAR YELLOW |
| 3-SPECTRUM GREY | 7-CATO GOLD          |
| 4-SUNBELT GREEN | 8-RED                |

THE SERIAL NUMBER MAY BE REQUIRED.





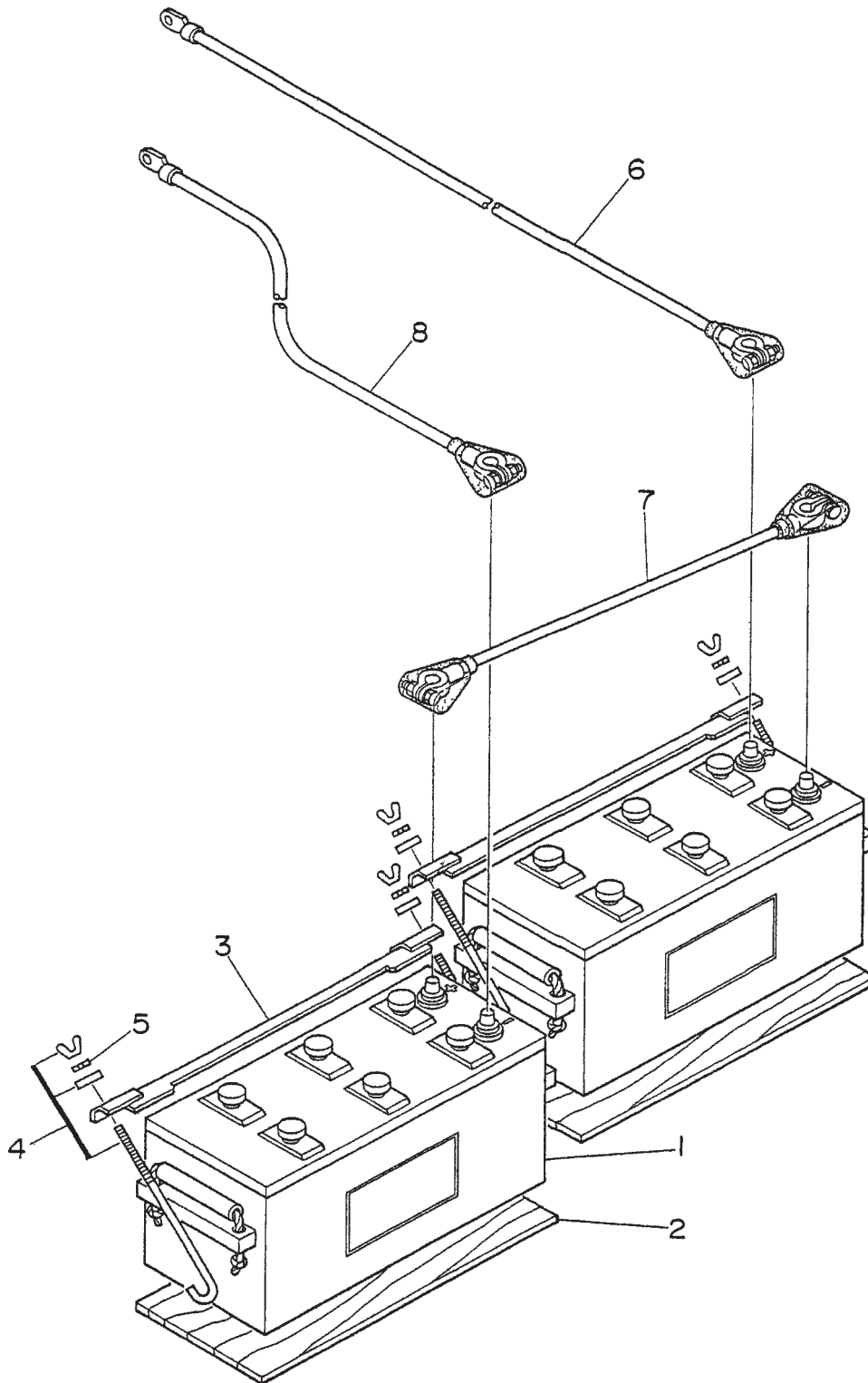
# DCA-220SSVU— OUTPUT TERMINAL ASSY.

## OUTPUT TERMINAL ASSY.

<u>NO.</u>	<u>PART NO.</u>	<u>PART NAME</u>	<u>QTY.</u>	<u>REMARKS</u>
1	M4230700003	TERMINAL BOARD	1	
2	M9220100304	OUTPUT TERMINAL BOLT	8	
3	M9220100404	TIE BOLT	8	
4	0039316000	HEX. NUT	16	
5	0040016000	SPRING WASHER	24	
6	0041416000	PLAIN WASHER	32	
7	M4233200004	TERMINAL PLATE	3	
8	0016908040	HEX. HEAD BOLT	5	
9	0601815194	TERMINAL BLOCK	1	
10	0027104016	MACHINE SCREW	2	
11	0601850275	GROMMET	1	
12	0603306775	BLIND PLUG	2	
13	0027104016	MACHINE SCREW	4	
14	0601808803	CIRCUIT BREAKER, SINGLE-POLE 20A	2	
15	0601808804	CIRCUIT BREAKER, DOUPLE-POLE 50A	3	
16	M4260600104	BRACKET, CIRCUIT BREAKER	1	
16-1	0222100150	RUBBER CUSHION	1	
17	0016906020	HEX. HEAD BOLT	2	
18	0601812598	RECEPTACLE, GFCI 20A	2	
19	0601812538	RECEPTACLE, CS6369 50A	3	
20	0027104016	MACHINE SCREW	10	
20A	0207004000	HEX. NUT	10	
21	M4236100103	TERMINAL COVER	1	
22	0010112045	HEX. HEAD BOLT	2	
23	0041212000	PLAIN WASHER	2	
24	M9310200104	STAY RUBBER	2	
25	0030012000	HEX. NUT	2	
26	M9210000204	SPRING	2	
27	M4236100004	COVER	1	
28	0017110040	HEX. HEAD BOLT	2	
29	M9116000004	COLLAR	1	
30	M9310200004	STAY RUBBER	1	
31	M4236100204	TERMINAL COVER	1	
32	0016908020	HEX. HEAD BOLT	7	

# DCA-220SSVU— BATTERY ASSY.

BATTERY ASSY.



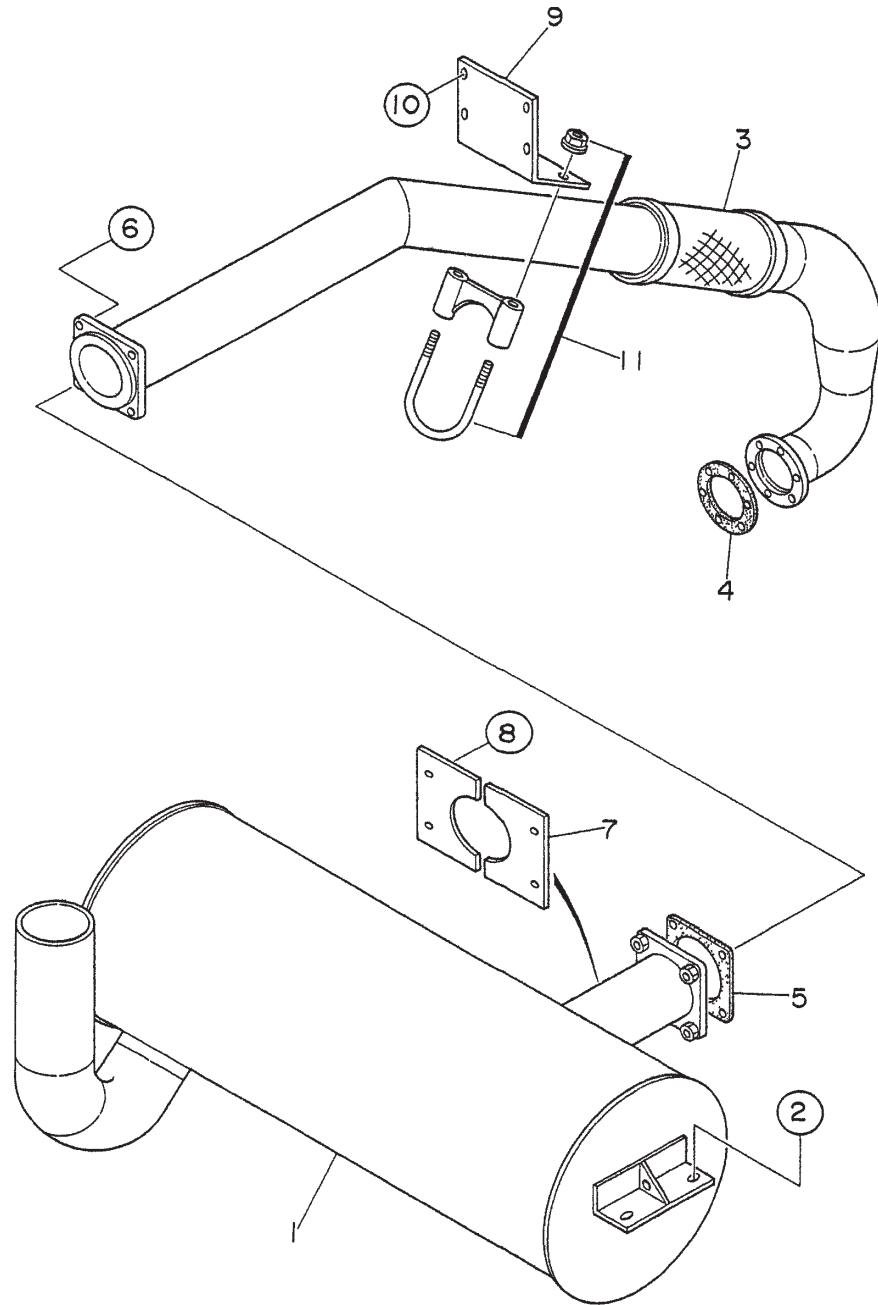
# DCA-220SSVU— BATTERY ASSY.

## BATTERY ASSY.

<u>NO.</u>	<u>PART NO.</u>	<u>PART NAME</u>	<u>QTY.</u>	<u>REMARKS</u>
1	0602220196	BATTERY	2	
2	M9310500404	BATTERY SHEET	2	
3	M9103000504	BATTERY BAND	2	
4	0602220921	BATTERY BOLT SET	4	
5	0040006000	SPRING WASHER	4	
6	M4346900114	BATTERY CABLE	1	
7	M4346400314	BATTERY CABLE	1	
8	M4346900014	BATTERY CABLE	1	

# DCA-220SSVU— MUFFLER ASSY.

MUFFLER ASSY.



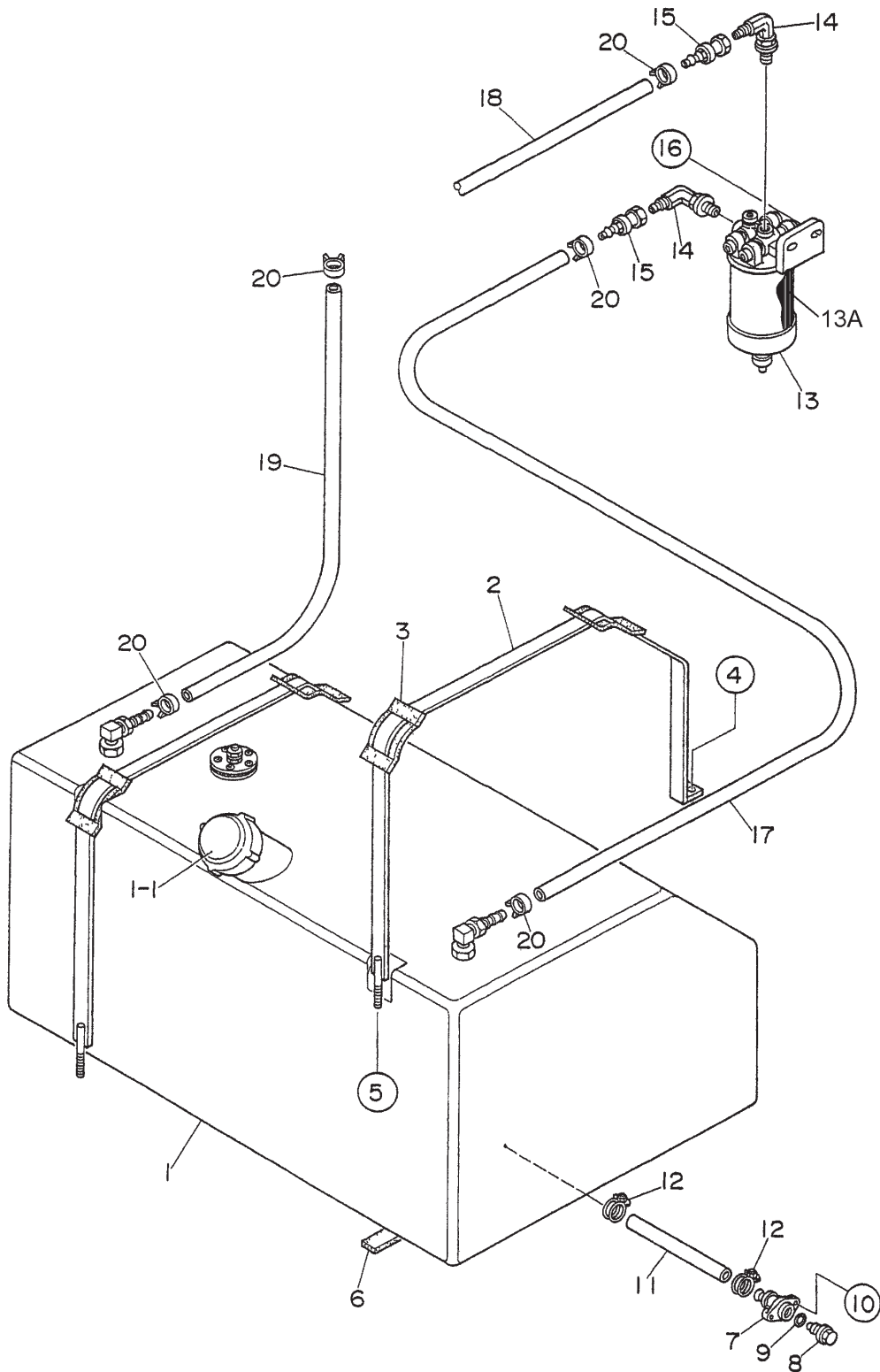
## DCA-220SSVU— MUFFLER ASSY.

### MUFFLER ASSY.

<u>NO.</u>	<u>PART NO.</u>	<u>PART NAME</u>	<u>QTY.</u>	<u>REMARKS</u>
1	M4330100002	MUFFLER	1	
2	0016910025	HEX. HEAD BOLT	4	
3	M4333000003	EXHAUST PIPE	1	
4	V424628	GASKET	1	REPLACES P/N 0602320196
5	M4333200004	GASKET	1	
6	0017112055	HEX. HEAD BOLT	4	
7	M4330300004	COVER	2	
8	0016908020	HEX. HEAD BOLT	4	
9	M4333300004	BRACKET	1	
10	0016908020	HEX. HEAD BOLT	4	
11	0602326062	U-BOLT SET	1	

# DCA-220SSVU— FUEL TANK ASSY.

FUEL TANK ASSY.



# DCA-220SSVU— FUEL TANK ASSY.

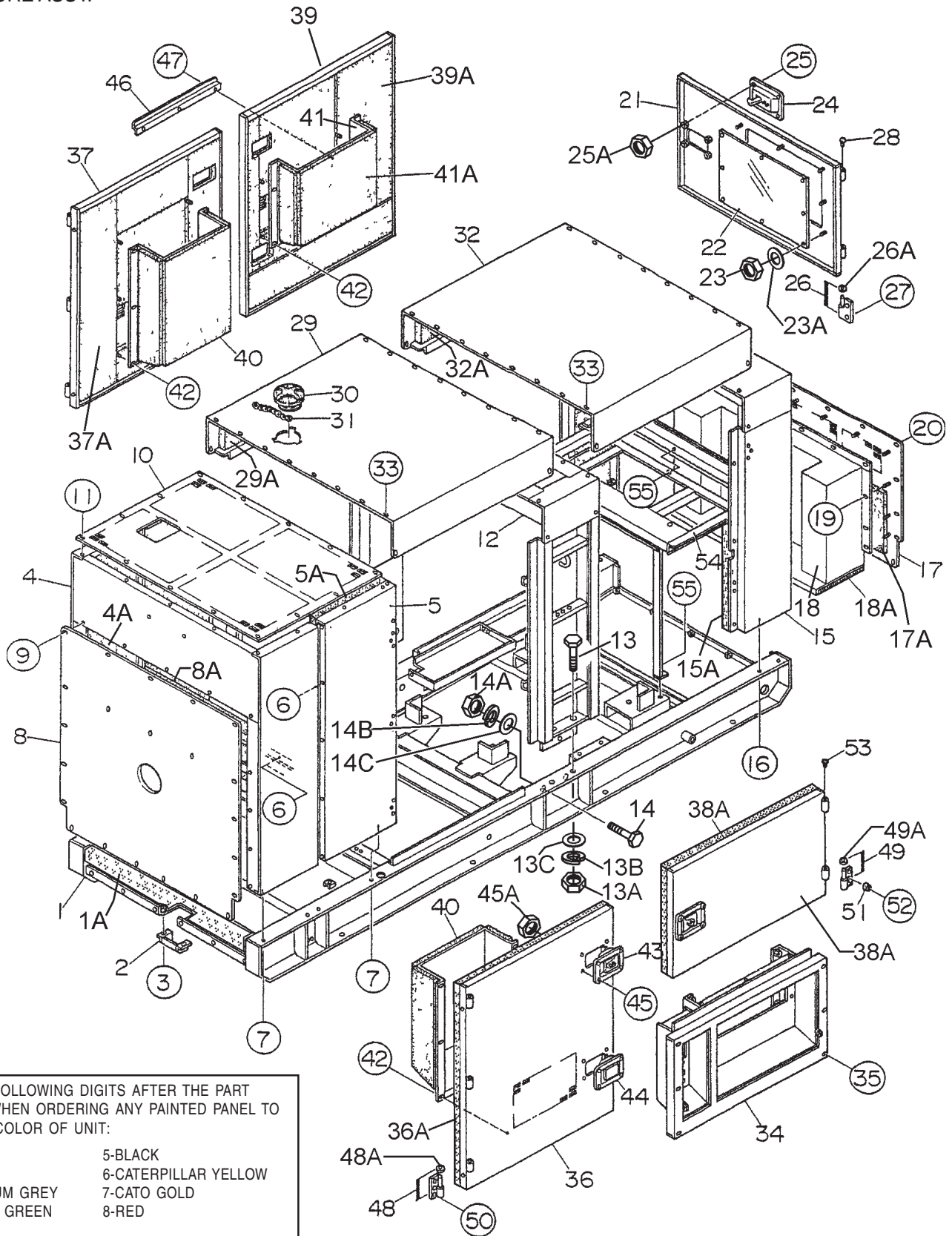
## FUEL TANK ASSY.

<u>NO.</u>	<u>PART NO.</u>	<u>PART NAME</u>	<u>QTY.</u>	<u>REMARKS</u>
1	M4363000002	FUEL TANK	1	
1-1	0605505070	CAP, FUEL TANK	1	
2	M4363200004	TANK BAND	2	
3	M9310500104	SUPPORTER SHEET	4	
4	0016908020	HEX. HEAD BOLT	2	
5	0207308000	HEX. NUT	2	
6	0222100720	RUBBER SHEET	4	
7	M9200000003	DRAIN JOINT	1	
8	M9200200004	DRAIN BOLT	1	
9	0150000018	O- RING	1	
10	0016906020	HEX. HEAD BOLT	2	
11	M1363400104	DRAIN HOSE	1	
12	0605515198	HOSE BAND	2	
13	V8159966	WATER SEPARATOR .....	1	..... REPLACES P/N 0602042265
13A	V8159975	FILTER, WATER SEPARATOR		
14	0602022567	90 DEGREE ELBOW	2	
15	0602022992	SWIVEL JOINT	2	
16	0016910030	HEX. HEAD BOLT	2	
17	0191302150	SUCTION HOSE	1	
18	0191300600	SUCTION HOSE	1	
19	0191302200	RETURN HOSE	1	
20	0605515109	HOSE BAND	6	



# DCA-220SSVU— ENCLOSURE ASSY.

ENCLOSURE ASSY.



ADD THE FOLLOWING DIGITS AFTER THE PART NUMBER WHEN ORDERING ANY PAINTED PANEL TO INDICATE COLOR OF UNIT:

- |                 |                      |
|-----------------|----------------------|
| 1-ORANGE        | 5-BLACK              |
| 2-WHITE         | 6-CATERPILLAR YELLOW |
| 3-SPECTRUM GREY | 7-CATO GOLD          |
| 4-SUNBELT GREEN | 8-RED                |

THE SERIAL NUMBER MAY BE REQUIRED.

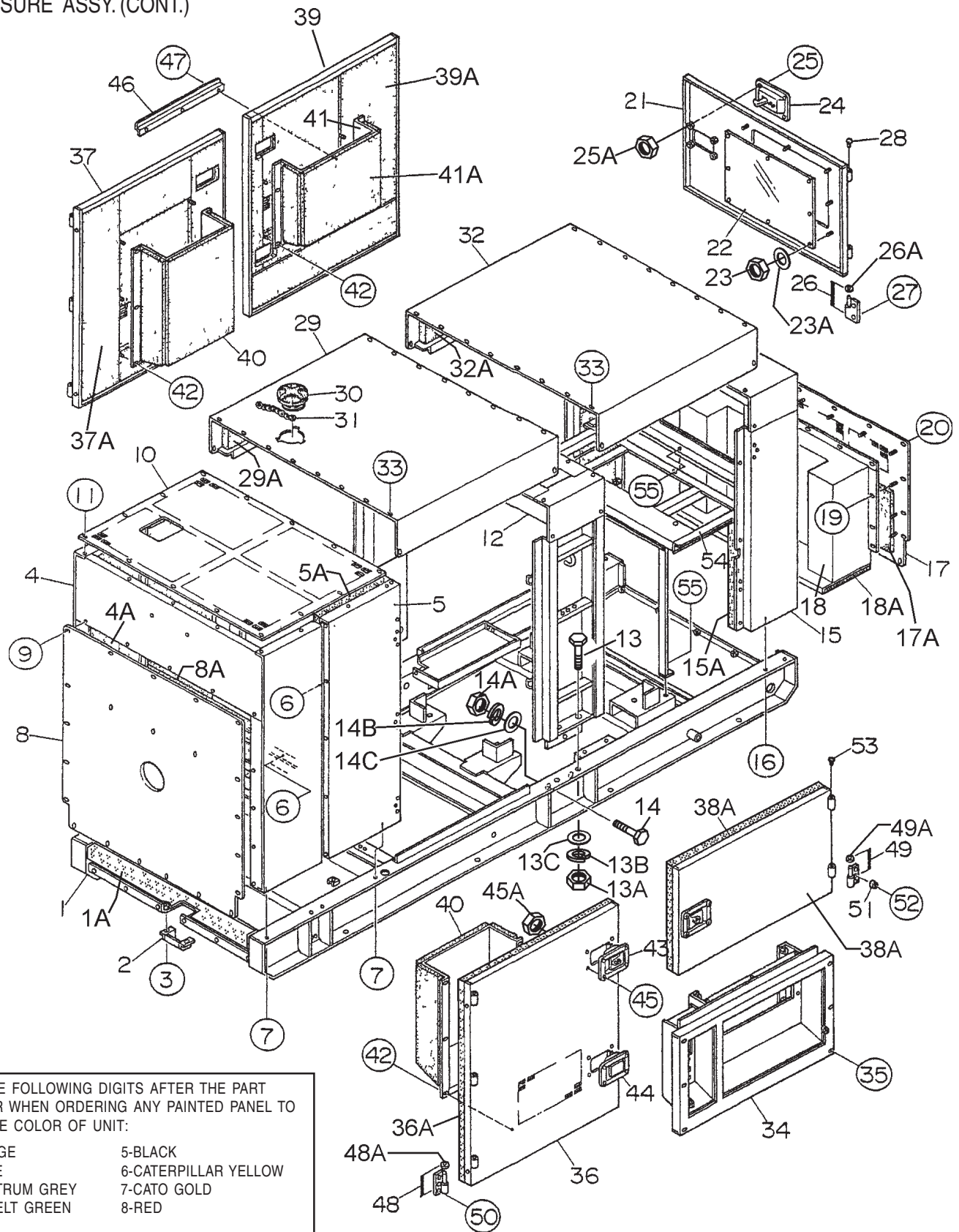
# DCA-220SSVU— ENCLOSURE ASSY.

## ENCLOSURE ASSY.

<u>NO.</u>	<u>PART NO.</u>	<u>PART NAME</u>	<u>QTY.</u>	<u>REMARKS</u>
1	M4413000002	BASE	1	
1A	M4493000004	ACOUSTIC SHEET	2	
2	M1413400004	COVER	1	
3	0016908020	HEX. HEAD BOLT	2	
4	M4423000102	FRONT FRAME	1	
4A	M4493100103	ACOUSTIC SHEET	1	
5	M4423000002	FRONT FRAME	1	
5A	M4493100103	ACOUSTIC SHEET	1	
6	0016908020	HEX. HEAD BOLT	13	
7	0016910030	HEX. HEAD BOLT	8	
8	M4423200004	COVER, FRONT FRAME	1	
8A	M4493100004	ACOUSTIC SHEET	1	
9	0016908020	HEX. HEAD BOLT	22	
10	M4423200103	OVER COVER, FRONT FRAME	1	
11	0016908020	HEX. HEAD BOLT	14	
12	M4433000002	CENTER FRAME	1	
13	0010114050	HEX. HEAD BOLT	4	
13A	0030014000	HEX. NUT	4	
13B	0040014000	SPRING WASHER	4	
13C	0041214000	PLAIN WASHER	8	
14	0010120050	HEX. HEAD BOLT	4	
14A	0030020000	HEX. NUT	4	
14B	0040020000	SPRING WASHER	4	
14C	0041220000	PLAIN WASHER	8	
15	M4443000002	REAR FRAME	1	
15A	M4493300104	ACOUSTIC SHEET	2	
16	0016910030	HEX. HEAD BOLT	4	
17	M4443300103	COVER, REAR FRAME	1	
17A	M4493300204	ACOUSTIC SHEET	1	
18	M4443300003	DUCT	1	
18A	M4493300004	ACOUSTIC SHEET	1	
19	0207008000	HEX. NUT	12	
20	0016908020	HEX. HEAD BOLT	17	
21	M4443200003	DOOR, REAR FRAME	1	
22	M4443600004	WINDOW PLATE	1	
23	0207306000	HEX. NUT	8	
23A	0041206000	PLAIN WASHER	8	
24	M9113000002	DOOR HANDLE	1	

# DCA-220SSVU— ENCLOSURE ASSY. (CONT.)

ENCLOSURE ASSY. (CONT.)



ADD THE FOLLOWING DIGITS AFTER THE PART NUMBER WHEN ORDERING ANY PAINTED PANEL TO INDICATE COLOR OF UNIT:

- |                 |                      |
|-----------------|----------------------|
| 1-ORANGE        | 5-BLACK              |
| 2-WHITE         | 6-CATERPILLAR YELLOW |
| 3-SPECTRUM GREY | 7-CATO GOLD          |
| 4-SUNBELT GREEN | 8-RED                |

THE SERIAL NUMBER MAY BE REQUIRED.

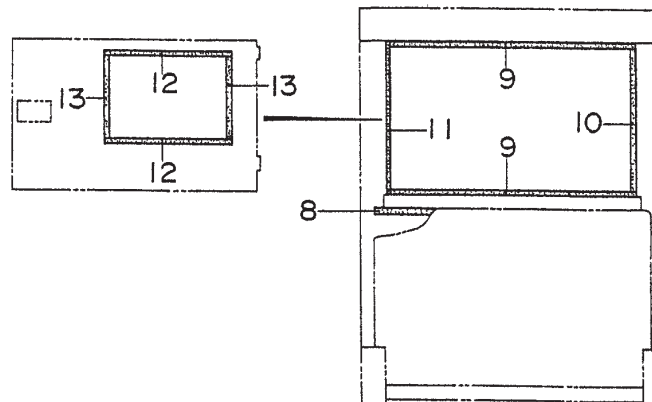
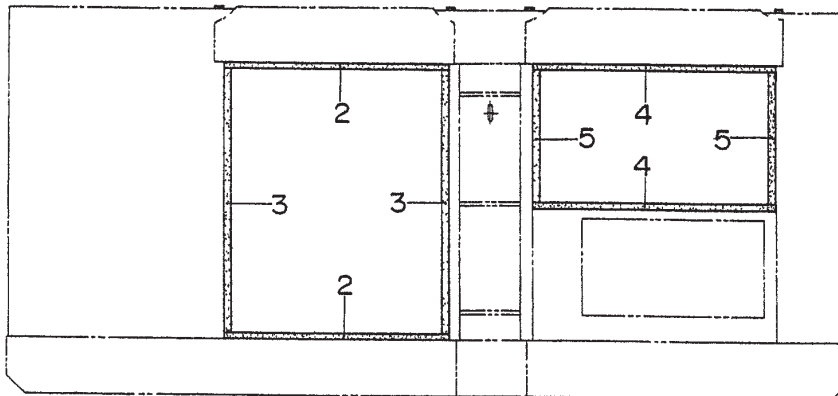
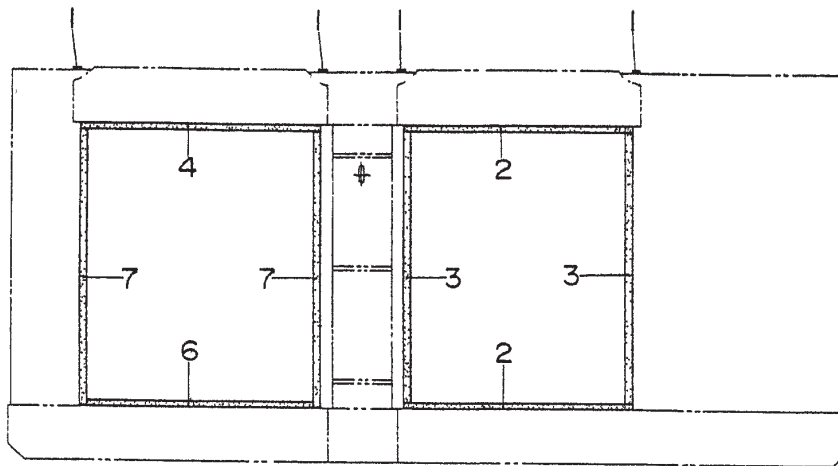
## DCA-220SSVU— ENCLOSURE ASSY. (CONT.)

### ENCLOSURE ASSY. (CONT.)

<u>NO.</u>	<u>PART NO.</u>	<u>PART NAME</u>	<u>QTY.</u>	<u>REMARKS</u>
25	0021806016	MACHINE SCREW	4	
25A	0030006000	HEX. NUT	4	
26	M9110100204	HINGE	2	
26A	M9116100004	WASHER	2	
27	0016908020	HEX. HEAD BOLT	3	
28	M9310000004	BLIND PLUG	2	
29	M4463100002	ROOF PANEL	1	
29A	M4490600004	ACOUSTIC SHEET	1	
30	M9310000103	BONNET CAP	1	
31	M1483600204	CHAIN ASSEMBLY	2	
32	M4463200002	ROOF PANEL	1	
32A	M4493500004	ACOUSTIC SHEET	1	
33	0016908020	HEX. HEAD BOLT	40	
34	M4453200002	SPLASHER PANEL	1	
35	0016908065	HEX. HEAD BOLT	6	
36	M4453000003	SIDE DOOR	1	
36A	M4493400004	ACOUSTIC SHEET	1	
37	M4453000103	SIDE DOOR	1	
37A	M4493400104	ACOUSTIC SHEET	1	
38	M4453000303	SIDE DOOR	1	
38A	M4493400304	ACOUSTIC SHEET	1	
39	M4453000203	SIDE DOOR	1	
39A	M4493400204	ACOUSTIC SHEET	1	
40	M4453300404	DUCT	2	
40A	M4493100204	ACOUSTIC SHEET	2	
41	M4453300104	DUCT	1	
41A	M4493300704	ACOUSTIC SHEET	1	
42	0207008000	HEX. NUT	19	
43	M9113000002	DOOR HANDLE	4	
44	M9113000102	DOOR HANDLE	3	
45	0021806016	MACHINE SCREW	28	
45A	0030006000	HEX. NUT	28	
46	M4453700004	GUTTER	1	
47	0016906016	HEX. HEAD BOLT	3	
48	M9110100804	HINGE	6	
48A	M9116100004	WASHER	6	
49	M9110100904	HINGE	5	
49A	M9116100004	WASHER	5	
50	0019208020	HEX. HEAD BOLT	25	
51	0601850097	STOPPER	9	
52	0027208025	MACHINE SCREW	9	
53	M9310000004	BLIND PLUG	11	
54	M4483000002	SUPPORT LEG	1	
55	0016910025	HEX. HEAD BOLT	5	

# DCA-220SSVU— RUBBER SEALS ASSY.

RUBBER SEALS ASSY.



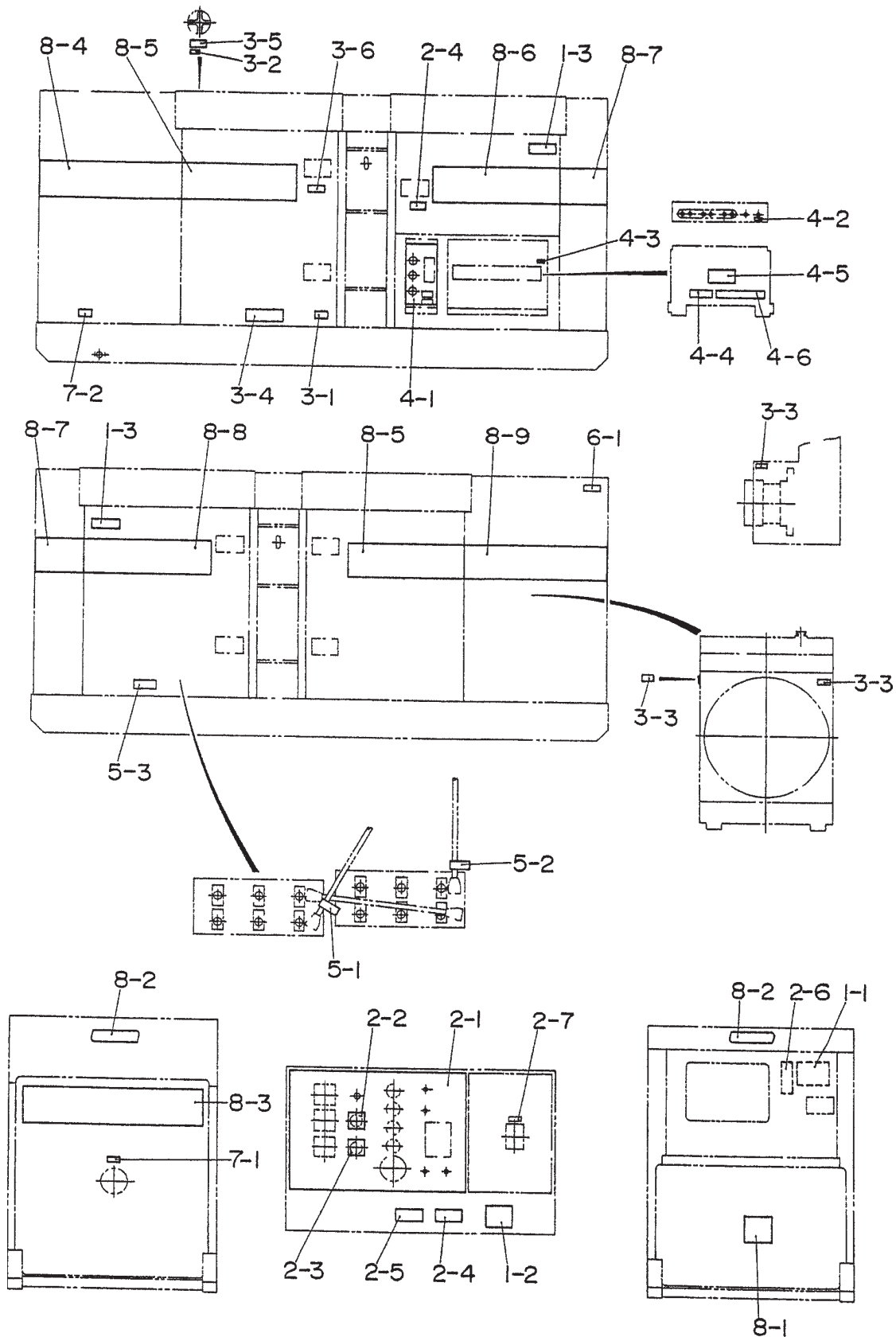
## DCA-220SSVU— RUBBER SEALS ASSY.

### RUBBER SEALS ASSY.

<u>NO.</u>	<u>PART NO.</u>	<u>PART NAME</u>	<u>QTY.</u>	<u>REMARKS</u>
1	0229201300	SEAL RUBBER	4	
2	0228901010	SEAL RUBBER	4	
3	0228901200	SEAL RUBBER	4	
4	0228901050	SEAL RUBBER	3	
5	0228900600	SEAL RUBBER	2	
6	0229200950	SEAL RUBBER	1	
7	0228901230	SEAL RUBBER	2	
8	0229201200	SEAL RUBBER	1	
9	0228801070	SEAL RUBBER	2	
10	0228800640	SEAL RUBBER	1	
11	0228800680	SEAL RUBBER	1	
12	0228100560	SEAL RUBBER	2	
13	0228100370	SEAL RUBBER	2	

# DCA-220SSVU— NAMEPLATE AND DECALS ASSY.

## NAMEPLATE AND DECALS ASSY.





# DCA-220SSVU— NAMEPLATE AND DECALS ASSY.

## NAMEPLATE AND DECALS ASSY.

<u>NO.</u>	<u>PART NO.</u>	<u>PART NAME</u>	<u>QTY.</u>	<u>REMARKS</u>
1-1	M3552000103	DECAL; OPERATING PROCEDURES .....	1 .....	M35200010
1-2	M9520100304	DECAL; SAFETY INSTRUCTIONS .....	1 .....	M92010030
1-3	M9520100603	DECAL; CAUTION .....	2 .....	M92010060
CONTROL PANEL & BOX GROUP				
2-1	M4550000012	DECAL; CONTROL PANEL .....	1 .....	M45000001
2-2	M9520000104	PLATE; AMMETER CHANGE- OVER SWITCH .....	1 .....	M92000010
2-3	M9520000204	PLATE; VOLTMETER CHANGE- OVER SWITCH .....	1 .....	M92000020
2-4	M9520100004	DECAL; WARNING ELECTRIC SHOCK HAZARD .....	2 .....	M92010000
2-5	M9520200104	DECAL; OVER CURRENT RELAY .....	1 .....	M92020010
2-6	M9520200303	DECAL; SETTING FOR OUTPUT VOLTAGE .....	1 .....	M92020030
2-7	M9522000504	DECAL; CIRCUIT BREAKER .....	1 .....	M92200050
ENGINE & RADIATOR GROUP				
3-1	M9500000004	DECAL; OIL DRAIN PLUG .....	1 .....	M90000000
3-2	M9500100004	DECAL; WATER .....	1 .....	M90010000
3-3	M9503000004	DECAL; WARNING MOVING PARTS .....	3 .....	M90300000
3-4	M9503000103	DECAL; WATER * OIL CHECK .....	1 .....	M90300010
3-5	M9503100004	DECAL; WARNING HOT COOLANT .....	1 .....	M90310000
3-6	M9510100004	DECAL; CAUTION HOT PARTS .....	1 .....	M91010000
OUTPUT TERMINAL GROUP				
4-1	M4550000103	DECAL; RECEPTACLE & CIRCUIT BREAKER .....	1 .....	M45000010
4-2	M9520000004	DECAL; GROUND .....	1 .....	M92000000
4-3	M9520000504	DECAL; START CONTACT .....	1 .....	M92000050
4-4	M9520000704	DECAL; 3- PHASE OUTPUT TERMINAL .....	1 .....	M92000070
4-5	M9520100404	DECAL; DANGER HIGH VOLTAGE .....	1 .....	M92010040
4-6	M9520100503	DECAL; WARNING .....	1 .....	M92010050
BATTERY GROUP				
5-1	M9500300004	DECAL; - .....	1 .....	M90030000
5-2	M9500300104	DECAL; + .....	1 .....	M90030010
5-3	M9510100403	DECAL; CAUTION .....	1 .....	M91010040
MUFFLER GROUP				
6-1	M9503200004	DECAL; WARNING ENGINE EXHAUST .....	1 .....	M90320000
FUEL TANK GROUP				
7-1	M9500500004	DECAL; DIESEL FUEL .....	1 .....	M90050000
7-2	M9500500104	DECAL; FUEL DRAIN PLUG .....	1 .....	M90050010
BONNET GROUP				
8-1	M9510200002	DECAL; MQ .....	1 .....	M91020000
8-2	0600500090	EMBLEM	2	
	0021106016	MACHINE SCREW	4	
8-3	M4560100003	STRIPE	1	
8-4	M4560100103	STRIPE	1	
8-5	M4560100204	STRIPE	2	
8-6	M4560100303	STRIPE	1	
8-7	M4560100404	STRIPE	2	
8-8	M4560100503	STRIPE	1	
8-9	M4560100603	STRIPE	1	

**PAYMENT TERMS**

Terms of payment for parts are net 10 days.

**FREIGHT POLICY**

All parts orders will be shipped collect or prepaid with the charges added to the invoice. All shipments are F.O.B. point of origin. Multiquip's responsibility ceases when a signed manifest has been obtained from the carrier, and any claim for shortage or damage must be settled between the consignee and the carrier.

**MINIMUM ORDER**

The minimum charge for orders from Multiquip is \$15.00 net. Customers will be asked for instructions regarding handling of orders not meeting this requirement.

**RETURNED GOODS POLICY**

Return shipments will be accepted and credit will be allowed, subject to the following provisions:

1. A Returned Material Authorization must be approved by Multiquip prior to shipment.
2. To obtain a Return Material Authorization, a list must be provided to Multiquip Parts Sales that defines item numbers, quantities, and descriptions of the items to be returned.
  - a. The parts numbers and descriptions must match the current parts price list.
  - b. The list must be typed or computer generated.
  - c. The list must state the reason(s) for the return.
  - d. The list must reference the sales order(s) or invoice(s) under which the items were originally purchased.
  - e. The list must include the name and phone number of the person requesting the RMA.
3. A copy of the Return Material Authorization must accompany the return shipment.
4. Freight is at the sender's expense. All parts must be returned freight prepaid to Multiquip's designated receiving point.

5. Parts must be in new and resalable condition, in the original Multiquip package (if any), and with Multiquip part numbers clearly marked.

6. The following items are not returnable:
  - a. Obsolete parts. (If an item is in the price book and shows as being replaced by another item, it is obsolete.)
  - b. Any parts with a limited shelf life (such as gaskets, seals, "O" rings, and other rubber parts) that were purchased more than six months prior to the return date.
  - c. Any line item with an extended dealer net price of less than \$5.00.
  - d. Special order items.
  - e. Electrical components.
  - f. Paint, chemicals, and lubricants.
  - g. Decals and paper products.
  - h. Items purchased in kits.

7. The sender will be notified of any material received that is not acceptable.
8. Such material will be held for five working days from notification, pending instructions. If a reply is not received within five days, the material will be returned to the sender at his expense.
9. Credit on returned parts will be issued at dealer net price at time of the original purchase, less a 15% restocking charge.
10. In cases where an item is accepted, for which the original purchase document can not be determined, the price will be based on the list price that was effective twelve months prior to the RMA date.
11. Credit issued will be applied to future purchases only.

**PRICING AND REBATES**

Prices are subject to change without prior notice. Price changes are effective on a specific date and all orders received on or after that date will be billed at the revised price. Rebates

for price declines and added charges for price increases will not be made for stock on hand at the time of any price change.

Multiquip reserves the right to quote and sell direct to Government agencies, and to Original Equipment Manufacturer accounts who use our products as integral parts of their own products.

**SPECIAL EXPEDITING SERVICE**

A \$35.00 surcharge will be added to the invoice for special handling including bus shipments, insured parcel post or in cases where Multiquip must personally deliver the parts to the carrier.

**LIMITATIONS OF SELLER'S LIABILITY**

Multiquip shall not be liable here under for damages in excess of the purchase price of the item with respect to which damages are claimed, and in no event shall Multiquip be liable for loss of profit or good will or for any other special, consequential or incidental damages.

**LIMITATION OF WARRANTIES**

No warranties, express or implied, are made in connection with the sale of parts or trade accessories nor as to any engine not manufactured by Multiquip. Such warranties made in connection with the sale of new, complete units are made exclusively by a statement of warranty packaged with such units, and Multiquip neither assumes nor authorizes any person to assume for it any other obligation or liability whatever in connection with the sale of its products. Apart from such written statement of warranty, there are no warranties, express, implied or statutory, which extend beyond the description of the products on the face hereof.



# OPERATION AND PARTS MANUAL

## HERE'S HOW TO GET HELP

PLEASE HAVE THE MODEL AND SERIAL  
NUMBER *ON-HAND* WHEN CALLING

### **MQ POWER CORPORATE OFFICE**

18910 Wilmington Ave. 800-421-1244  
Carson, CA 90746 FAX: 310-632-2656  
Email: [mqpower@multiquip.com](mailto:mqpower@multiquip.com)  
Internet: [www.mqpower.com](http://www.mqpower.com)

### **PARTS DEPARTMENT**

800-427-1244 FAX: 800-672-7877  
310-537-3700 FAX: 310-637-3284

### **SERVICE DEPARTMENT**

800-835-2551 FAX: 310-638-8046  
310-537-3700

### **TECHNICAL ASSISTANCE**

800-835-2551 FAX: 310-638-8046

### **WARRANTY DEPARTMENT**

800-835-2551, EXT. 279 FAX: 310-638-8046  
310-537-3700, EXT. 279

Manufactured for Multiquip Inc.  
by  
DENYO CO., LTD, JAPAN

Your Local Dealer is:



### **MQ POWER**

*A Division of Multiquip Inc.*

POST OFFICE BOX 6254

CARSON, CA 90749

310-537-3700 • 800-421-1244

FAX: 310-632-2656

E-mail: [mqpower@multiquip.com](mailto:mqpower@multiquip.com)

Internet: [www.mqpower.com](http://www.mqpower.com)

## Free Manuals Download Website

<http://myh66.com>

<http://usermanuals.us>

<http://www.somanuals.com>

<http://www.4manuals.cc>

<http://www.manual-lib.com>

<http://www.404manual.com>

<http://www.luxmanual.com>

<http://aubethermostatmanual.com>

Golf course search by state

<http://golfingnear.com>

Email search by domain

<http://emailbydomain.com>

Auto manuals search

<http://auto.somanuals.com>

TV manuals search

<http://tv.somanuals.com>