

OPERATION AND PARTS MANUAL



**WHISPERWATT™ SERIES
MODEL DCA10SPX4
MODEL DCA10SPXU4
50 Hz GENERATORS
(KUBOTA D1503-M DIESEL ENGINE)**

(DCA10SPX4 S/N 3819207~)
(DCA10SPXU4 S/N 8710001~)

Revision #0 (08/05/09)

To find the latest revision of this
publication, visit our website at:
www.mqpower.com



THIS MANUAL MUST ACCOMPANY THE EQUIPMENT AT ALL TIMES.



WARNING



CALIFORNIA — Proposition 65 Warning

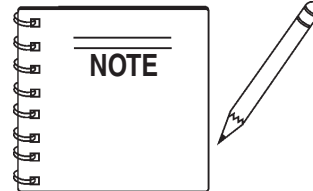
Diesel engine exhaust and some of its constituents are known to the State of California to cause cancer, birth defects and other reproductive harm.

MQ POWER DCA-10SPX4 WHISPERWATT™ GENERATOR

California Proposition 65 Warning	2
Table Of Contents	4
Parts Ordering Procedures	5
Specifications	6
Dimensions (Top, Side, Front)	7
Safety Message Alert Symbols	8-9
Rules for Safe Operation	10-14
Installation	16-17
General Information	18
Major Components	19
Generator Control Panel	20
Output Terminal Panel Familiarization	21-23
Load Application/Maximum Amperage	24
Setup	25-28
Generator Start-up Procedure	29-30
Generator Shut-Down Procedure	31
Maintenance (Engine)	32-33
Maintenance (Trailer)	34-36
Generator Wiring Diagram	37
Engine Wiring Diagram	38
Troubleshooting (Engine)	39-40
Troubleshooting (Generator)	41
Troubleshooting (Pre-heat Lamp Codes)	42
Explanation of Code in Remarks Column	44
Suggested Spare Parts	45

COMPONENT DRAWINGS

Generator Assembly	46-47
Control Panel Assembly	48-51
Output Receptacle Assembly	52-53
Engine and Radiator Assembly	54-57
Battery Assembly (DCA10SPX4)	58-59
Battery Assembly (DCA10SPXU4)	60-61
Muffler Assembly	62-63
Fuel Tank Assembly	64-65
Enclosure Assembly	66-69
Rubber Seals Assembly	70-71
Nameplate and Decals	72-73
Terms and Condition of Sale — Parts	74



Specifications are subject to change without notice.

DCA10SPX4/DCA10SPXU4 — SPECIFICATIONS

Table 1. Generator Specifications

Model	DCA10SPX4/DCA10SPXU4
Type	Revolving field, self ventilated, open protected type synchronous generator
Phase	Single Phase
Standby Output	8.8 KW
Prime Output	8 KW
Voltage	200V/100
Frequency	50 Hz
Speed	1500 rpm
Power Factor	1.0
Sound Level dB(A) @23 ft. (7 meters)	61
Approx. Dry Weight	1,107 lbs. (502 kg.)
Approx. Wet Weight	1,250 lbs. (567 kg.)

Table 2. Engine Specifications

Model	KUBOTA D1503-M
Type	4 Cycle, water-cooled, swirl combustion chamber type
No. of Cylinders	3 cylinders
Bore x Stroke	3.27 in. x 3.64 in. (83 mm x 92.4 mm)
Rated Speed	1500 rpm
Displacement	91.4 cu. in. (1,498 cc)
Starting	Electric
Coolant Capacity	1.85 gal. (7 liters)
Lube Oil Capacity	1.48 gal. (5.6 liters)
Fuel Tank Capacity	16.4 gal. (62 liters)
Fuel Consumption	0.79 gal. (3.0 L)/hr at full load
Battery	12V 65Ah x 1
Fuel	#2 Diesel Fuel

DCA10SPX4/DCA10SPXU4 — DIMENSIONS (TOP, SIDE AND FRONT)

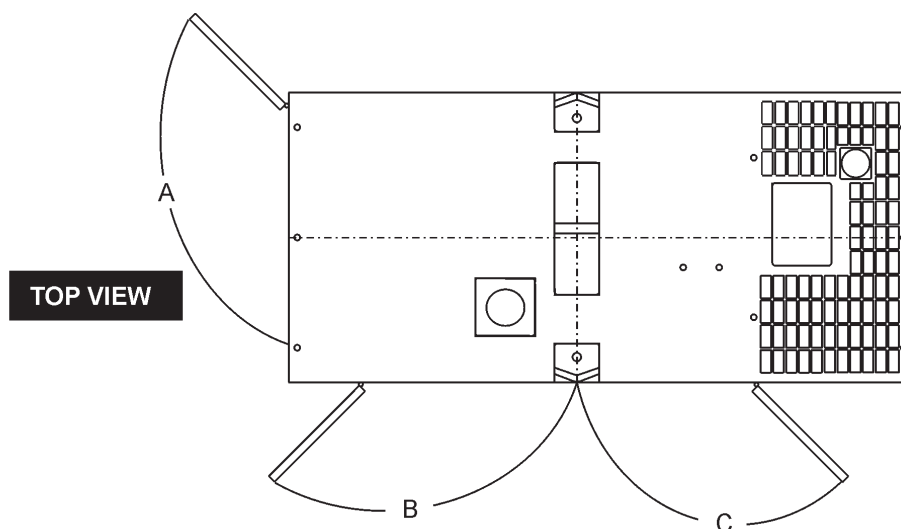


Figure 1. Dimensions

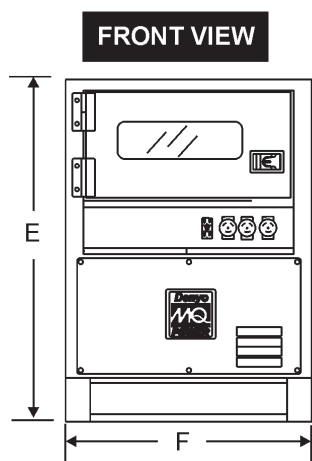
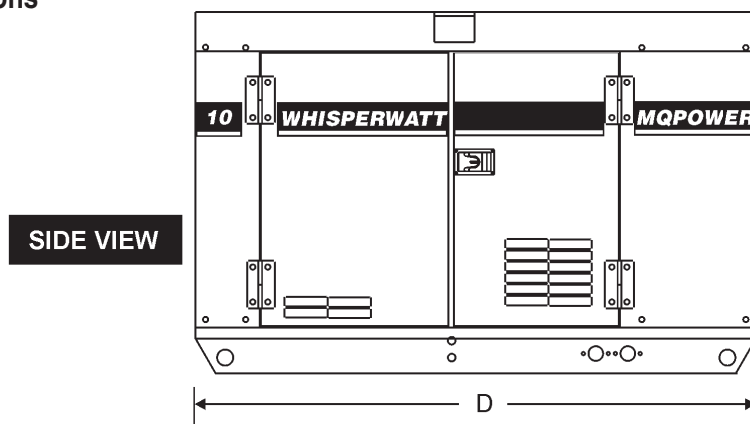


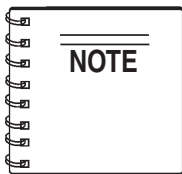
TABLE 3. DIMENSIONS

Reference Letter	Dimension ft. (mm.)
A	21.65 in. (550 mm.)
B	19.29 in. (490 mm.)
C	18.50 in. (470 mm.)
D	55.12 in. (1,400 mm.)
E	35.43 in. (900 mm.)
F	26.00 in. (650 mm.)

DCA10SPX4/DCA10SPXU4 — SAFETY MESSAGE ALERT SYMBOLS

FOR YOUR SAFETY AND THE SAFETY OF OTHERS!

Safety precautions should be followed at all times when operating this equipment. Failure to read and understand the Safety Messages and Operating Instructions could result in injury to yourself and others.



This Owner's Manual has been developed to provide complete instructions for the safe and efficient operation of the MQ Power **Generator**.

Before using this generator, ensure that the operating individual has read and understands all instructions in this manual.

SAFETY MESSAGE ALERT SYMBOLS

The three (3) Safety Messages shown below will inform you about potential hazards that could injure you or others. The Safety Messages specifically address the level of exposure to the operator, and are preceded by one of three words: **DANGER**, **WARNING**, or **CAUTION**.

DANGER

You **WILL** be **KILLED** or **SERIOUSLY** injured if you do not follow directions.

WARNING

You **COULD** be **KILLED** or **SERIOUSLY** injured if you do not follow directions.

CAUTION

You **CAN** be injured if you do not follow directions

HAZARD SYMBOLS

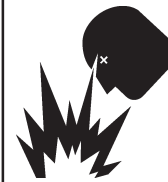
Potential hazards associated with the operation of this equipment will be referenced with "**Hazard Symbols**" which appear throughout this manual, and will be referenced in conjunction with Safety "**Message Alert Symbols**".

WARNING - LETHAL EXHAUST GASES



Gasoline engine exhaust gases contain poisonous carbon monoxide. This gas is colorless and odorless, and can cause **DEATH** if inhaled. **NEVER** operate this equipment in a confined area or enclosed structure that does not provide ample free flow air.

WARNING - EXPLOSIVE FUEL



Diesel fuel is extremely flammable, and its vapors can cause an explosion if ignited. **DO NOT** start the engine near spilled fuel or combustible fluids. **DO NOT** fill the fuel tank while the engine is running or hot.

DO NOT overfill tank, since spilled fuel could ignite if it comes into contact with hot engine parts or sparks from the ignition system. Store fuel in approved containers, in well-ventilated areas and away from sparks and flames. **NEVER** use fuel as a cleaning agent.

WARNING - BURN HAZARDS



Engine components can generate extreme heat. To prevent burns, **DO NOT** touch these areas while the engine is running or immediately after operations. **NEVER** operate the engine with heat shields or heat guards removed.

DANGER - ELECTROCUTION HAZARDS

During operation of this generator, there exists the possibility of **electrocution**, **electrical shock or burn**, which can cause **severe bodily harm** or even **DEATH!**



DCA10SPX4/DCA10SPXU4 — SAFETY MESSAGE ALERT SYMBOLS

WARNING - ROTATING PARTS



NEVER operate equipment with covers, or guards removed. Keep **fingers, hands, hair** and clothing away from all moving parts to prevent injury.

CAUTION - RESPIRATORY HAZARDS



ALWAYS wear approved **respiratory** protection.

CAUTION - ACCIDENTAL STARTING



ALWAYS place the **engine ON/OFF** switch (**MPEC**) in the **OFF/RESET** position when the generator is not in use.

CAUTION - SIGHT AND HEARING HAZARDS



ALWAYS wear approved **eye** and **hearing** protection.

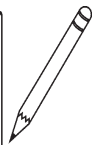
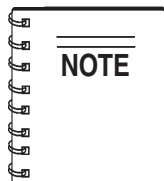
CAUTION - OVER-SPEED CONDITIONS



NEVER tamper with the factory settings of the engine governor or settings. Personal injury and damage to the engine or equipment can result if operating in speed ranges above maximum allowable.

CAUTION - EQUIPMENT DAMAGE MESSAGES

Other important messages are provided throughout this manual to help prevent damage to your generator, other property, or the surrounding environment.



This generator, other property, or the surrounding environment could be damaged if you do not follow instructions.

CAUTION - ENGINE LOAD (WET-STACKING)

Wet-Stacking is a common problem with diesel engines which are operated for extended periods with light or no load applied. When a diesel engine operates without sufficient load (less than 40% of the rated output) it will not operate at its optimum temperature. This will allow unburned fuel to accumulate in the exhaust system, which can foul the fuel injectors, engine valves and exhaust system, including turbochargers, and reduce the operating performance.

In order for a diesel engine to operate at peak efficiency it must be able to provide fuel and air in the proper ratio and at a high enough engine temperature for the engine to completely burn all of the fuel.

Wet stacking does usually cause any permanent damage and can be alleviated if additional load is applied to relieve the condition. It can reduce the system performance and increase maintenance. Applying an increasing load over a period of time until the excess fuel is burned off and the system capacity is reached usually can repair the condition. This can take several hours to burn off the accumulated unburned fuel.

DCA10SPX4/DCA10SPXU4 — RULES FOR SAFE OPERATION

DANGER - READ THIS MANUAL!

Failure to follow instructions in this manual may lead to **serious injury** or even **DEATH!** This equipment is to be operated by trained and qualified personnel only! This equipment is for industrial use only.

The following safety guidelines should always be used when operating the **generator**.

General Safety:


- **DO NOT** operate or service this equipment before reading this entire manual.




The operator **MUST BE** familiar with proper safety precautions and operations techniques before using generator.

- This equipment should not be operated by persons under 18 years of age.
- **NEVER** operate this equipment without proper protective clothing, shatterproof glasses, steel-toed boots and other protective devices required by the job.



- **NEVER** operate this equipment when not feeling well due to fatigue, illness or taking medicine. 
- **NEVER** operate this equipment under the influence or drugs or alcohol.



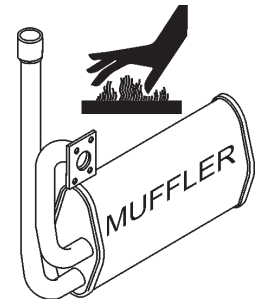
- **ALWAYS** wear proper respiratory (mask), hearing and eye protection equipment when operating the generator. 

Whenever necessary, replace nameplate, operation and safety decals when they become difficult read.

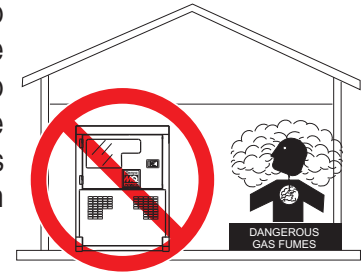
Manufacturer does not assume responsibility for any accident due to equipment modifications. Unauthorized equipment modification will void all warranties.

NEVER use accessories or attachments, which are not recommended by Multiquip for this equipment. Damage to the equipment and/or injury to user may result.

NEVER touch the hot exhaust manifold, muffler or cylinder. Allow these parts to cool before servicing engine or generators.



The engine section of this generators requires an adequate free flow of cooling air. **NEVER** operate the generator in any enclosed or narrow area where free flow of the air is restricted. If the air flow is restricted it will cause serious damage to the generators or engine and may cause injury to people. Remember the generator's engine gives off **DEADLY** carbon monoxide gas.

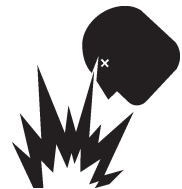


ALWAYS refuel in a well-ventilated area, away from sparks and open flames.

ALWAYS use extreme caution when working with **flammable** liquids. When refueling, **stop the engine** and allow it to cool. **DO NOT smoke** around or near the machine. Fire or explosion could result from fuel vapors, or if fuel is spilled on a hot engine.



NEVER operate the generator in an explosive atmosphere or near combustible materials. An explosion or fire could result causing severe **bodily harm or even death**.



- **NEVER** disconnect any "**emergency or safety devices**". These devices are intended for operator safety. Disconnection of these devices can cause severe injury, bodily harm or even death! Disconnection of any of these devices will void all warranties.

DCA10SPX4/DCA10SPXU4 — RULES FOR SAFE OPERATION

■ **ALWAYS** be sure the operator is familiar with proper safety precautions and operation techniques before using generators.

NEVER leave the generator unattended, turn off engine when unattended.

Unauthorized equipment modifications will void all warranties.

ALWAYS ensure generator is on level ground before use.

DO NOT place hands or fingers inside generators engine compartment when engine is running.

NEVER run engine without air cleaner. Severe engine damage may occur.

NEVER change or adjust the engine speed which has been set at the factory prior to shipping.

Power Cord Safety

NEVER let power cables or cords *lay in water*.

NEVER *stand in water* while AC power from the generators is being transfer to a load.

NEVER use a defective or frayed power cable. Check the cable for cuts in the insulation.

NEVER use a extension cord that is frayed or damaged where the insulation has been cut.

ALWAYS make certain that proper power or extension cord has been selected for the job See Table 6.

Grounding Safety

ALWAYS make sure that electrical circuits are properly *grounded* per the **National Electrical Code** (NEC) and local codes before operating generator. Severe *injury* or *death!* by electrocution can result from operating an ungrounded generator.

ALWAYS make sure the generators are properly grounded to a suitable earth ground (**GROUND ROD**). See installation in this manual.

NEVER use *gas piping* as an electrical ground.

Maintenance Safety

NEVER lubricate components or attempt service on a running machine.

High Temperatures – Always stop engine and allow the engine to cool before adding fuel, oil or performing service and maintenance functions. Contact with **hot!** components can cause serious burns.



Keep the machinery in proper running condition.

Fix damage to the machine immediately and replace any broken parts immediately.

ALWAYS replace any worn or damaged warning decals.

ALWAYS store equipment properly when it is not being used. Equipment should be stored in a clean, dry location out of the reach of children and un-authorized personnel.

The electrical voltage required to operate the generator can cause severe injury or even death through physical contact with live circuits. Turn all circuit breakers **OFF** before performing maintenance on the generator.

Dispose of hazardous waste properly. Examples of potentially hazardous waste are used motor oil, fuel and fuel filters.

DO NOT use food or plastic containers to dispose of hazardous waste.

DO NOT pour waste, oil or fuel directly onto the ground, down a drain or into any water source.

ALWAYS allow the machine a proper amount of time to cool before servicing.

ALWAYS service air cleaner frequently to prevent engine malfunction.

ALWAYS disconnect the **NEGATIVE battery terminal** before performing service on the generator.

Follow all battery safety guidelines listed in this manual when handling or servicing the generator.

DCA10SPX4/DCA10SPXU4 — RULES FOR SAFE OPERATION

WARNING - BURN HAZARDS

To prevent burns, **DO NOT** touch or open any of the below mentioned components while the engine is running or immediately after operations. Always allow sufficient time for the engine and generator to cool before performing maintenance.



Radiator Cap - Removing the radiator cap while the engine is hot will result in high pressurized, boiling water to gush out of the radiator, causing severe scalding to any persons in the general area of the generator.

Coolant Drain Plug - Removing the coolant drain plug while the engine is hot will result in hot coolant gushing out of the coolant drain plug, therefore causing severe scalding to any persons in the general area of the generator.

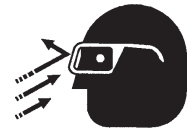


Engine Oil Drain Plug - Removing the engine oil drain plug while the engine is hot will result in hot oil gushing out of the oil drain plug, therefore causing severe scalding to any persons in the general area of the generator.

Battery Safety

Use the following guidelines when handling the battery:

The battery contains acids that can cause injury to the eyes and skin. To avoid eye irritation, **always** wear safety glasses.



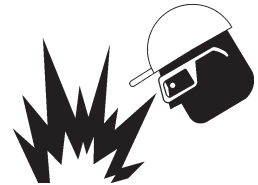
Use well insulated gloves when picking up the battery.

DANGER - EXPLOSION HAZARDS

The risk of an explosion exists when performing service on the battery. To avoid **severe injury** or **DEATH**:

DO NOT drop the battery. There is the possibility of risk that the battery may explode.

DO NOT expose the battery to open flames, sparks, cigarettes etc. The battery contains combustible gases and liquids. If these gases and liquids come in contact with a flame or spark, an explosion could occur.



- **ALWAYS** keep the battery charged. If the battery is not charged a buildup of combustible gas will occur.

ALWAYS keep battery charging and cables in good working condition. Repair or replace all worn cables.

ALWAYS recharge the battery in an vented air environment, to avoid risk of a dangerous concentration of combustible gases.

In case the battery liquid (dilute sulfuric acid) comes in contact with **clothing or skin**, rinse skin or clothing immediately with plenty of water.

In case the battery liquid (dilute sulfuric acid) comes in contact with your **EYES**, rinse eyes immediately with plenty of water and contact the nearest doctor or hospital to seek medical attention.

DCA10SPX4/DCA10SPXU4 — RULES FOR SAFE OPERATION

DANGER-Electrocution Hazards

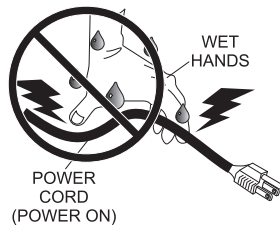
During operation of this generator, there exists the possibility of **electrocution, electrical shock or burn**, which can cause **severe bodily harm** or even **DEATH!**



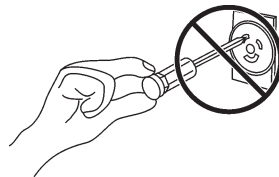
To avoid these hazards:

NEVER use **damaged** or **worn** cables when connecting equipment to the generator. Make sure power connecting cables are securely connected to the generator's output receptacles, incorrect connections may cause damage to the generators and electrical shock.

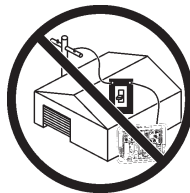
NEVER grab or touch a live power cord with wet hands, the possibility exist of electrical shock, electrocution, and even **death!**



NEVER insert any objects into the output receptacles during operation. This is extremely dangerous. **ALWAYS** turn-off the generators and place all circuit breakers in the "OFF" position when contact with the output receptacles is required. There exist the possibility of **electrocution, electrical shock or burn, which can cause severe bodily harm or even death!**




Backfeed to a utility system can cause **electrocution** and or property damage. **NEVER** connect the generators to a building's electrical system without a transfer switch or other approved device. All installations should be performed by a **licensed electrician** in accordance with all applicable laws and electrical codes. Failure to do so could result in electrical shock or burn causing serious injury or even death!



DANGER-Lethal Exhaust Gas Hazards



Engine exhaust gases contain poisonous carbon monoxide. This gas is colorless and odorless, and can cause death if inhaled. **NEVER** operate this equipment in a confined area or enclosed structure that does not provide ample free flow air.



 **DANGER**

Using a generator indoors **CAN KILL YOU IN MINUTES.**

Generator exhaust contains carbon monoxide. This is a poison you cannot see or smell

 NEVER use inside a home or garage, even if doors and windows are open	 Only use OUTSIDE and far away from windows, doors, and vents.
--	---

Avoid other generator hazards.
READ MANUAL BEFORE USE.

Emergencies

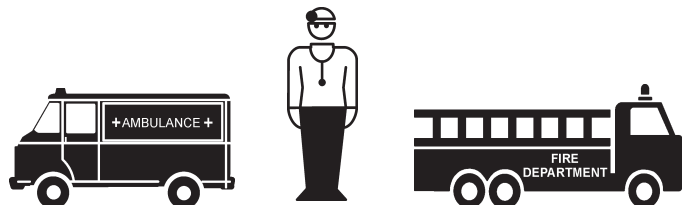
ALWAYS know the location of the nearest **fire extinguisher.**



ALWAYS know the location of the nearest **first aid kit.**



In emergencies **always** know the location of the nearest phone or **keep a phone on the job site.** Also know the phone numbers of the nearest **ambulance, doctor** and **fire department.** This information will be invaluable in the case of an emergency.



DCA10SPX4/DCA10SPXU4 — RULES FOR SAFE OPERATION



If your generator is trailer mounted, please read the towing and safety requirements listed below.

Towing and Transporting Safety

To reduce the possibility of an accident while transporting the generator on public roads, always make sure the trailer that supports the generator and the towing vehicle are in good operating condition and both units are mechanically sound.

The following list of safety precautions should be followed when towing your generator:

CAUTION - FOLLOW TOWING REGULATIONS

Check with your local county or state safety towing regulations, in addition to meeting **Department of Transportation (DOT) Safety Towing Regulations**, before towing your generator.

ALWAYS shutdown engine before transporting.

Drain fuel from generator fuel tank before towing.

If generator is mounted on a trailer, make sure trailer complies with all local and state safety transportation laws. Follow the listed **Towing & Transporting Safety** guidelines for basic towing techniques.

Make sure the hitch and coupling of the towing vehicle are rated equal to, or greater than the trailer "gross vehicle weight rating."

ALWAYS inspect the hitch and coupling for wear. **NEVER** tow a trailer with defective hitches, couplings, chains etc.

Check the tire air pressure on both towing vehicle and trailer. **Trailer tires should be inflated to 50 psi cold.** Also check the tire tread wear on both vehicles.

ALWAYS make sure the trailer is equipped with a "Safety Chain".

ALWAYS attach trailer's safety chains to towing vehicle properly.

ALWAYS make sure the vehicle and trailer directional, backup, brake, and trailer lights are connected and working properly.

DOT Requirements include the following:

- Connect and test electric brake operation.
- Secure portable power cables in cable tray with tie wraps.

The maximum speed for highway towing is **55 MPH** unless posted otherwise. Recommended off-road towing is not to exceed **15 MPH** or less depending on type of terrain.

Place **chock blocks** underneath wheel to prevent **rolling**, while parked.

Use the trailer's swivel jack to adjust the trailer height to a level position while parked.

Avoid sudden stops and starts. This can cause skidding, or jack-knifing. Smooth, gradual starts and stops will improve towing.

Avoid sharp turns.

Trailer should be adjusted to a level position at all times when towing.

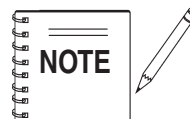
Raise and lock trailer wheel stand in up position when transporting.

The maximum speed for highway towing is **55 MPH** unless posted otherwise. Recommended off-road towing is not to exceed **15 MPH** or less depending on type of terrain.

Place **support blocks** underneath the trailer's bumper to prevent **tipping**, while parked.

Avoid sharp turns to prevent rolling.

DO NOT transport generator with fuel in tank.



For more safety tips, see the trailer safety guidelines section in this manual.

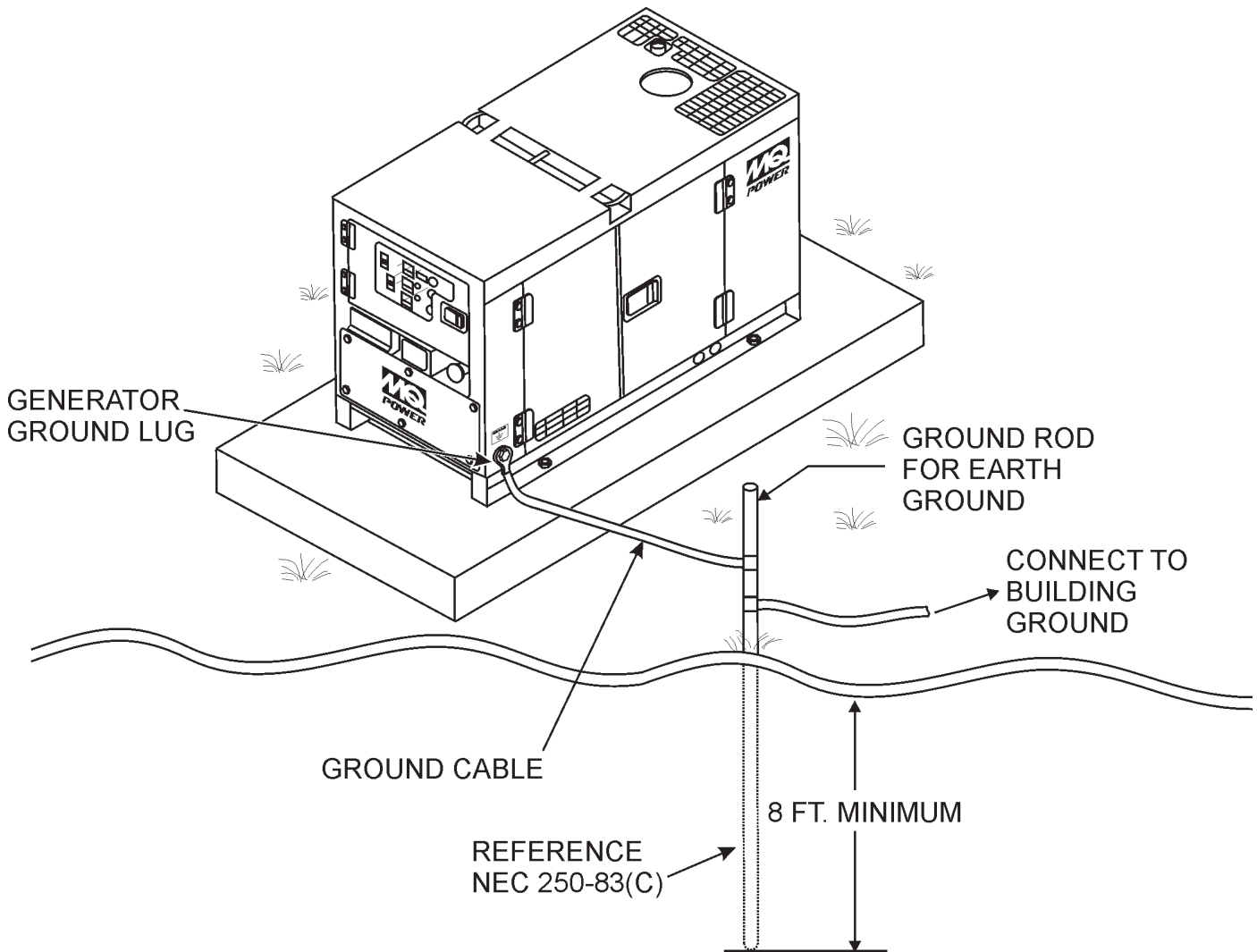


Figure 2. Typical Generator Grounding Application

Outdoor Installation

Install the generator in a area that is free of debris, bystanders, and overhead obstructions. Make sure the generator is on secure level ground so that it cannot slide or shift around. Also install the generator in a manner so that the exhaust will not be discharged in the direction of nearby homes.

The installation site must be relatively free from moisture and dust. All electrical equipment should be protected from excessive moisture. Failure to do will result in deterioration of the insulation and will result in short circuits and grounding.

Foreign materials such as dust, sand, lint and abrasive materials have a tendency to cause excessive wear to engine and alternator parts.

CAUTION - EXHAUST HAZARD

Pay close attention to ventilation when operating the generator inside tunnels and caves. The engine exhaust contains noxious elements. Engine exhaust must be routed to a ventilated area.

Indoor Installation

Exhaust gases from diesel engines are extremely poisonous. Whenever an engine is installed indoors the exhaust fumes must be vented to the outside. The engine should be installed at least two feet from any outside wall. Using an exhaust pipe which is too long or too small can cause excessive back pressure which will cause the engine to heat excessively and possibly burn the valves.

Mounting

The generator must be mounted on a solid foundation (such as concrete) and set firmly on the foundation to isolate vibration of the generator when it is running. The generator must set at least 6 inches above the floor or grade level (in accordance to NFPA 110, Chapter 5-4.1). **DO NOT** remove the metal skids on the bottom of the generator. They are to resist damage to the bottom of the generator and to maintain alignment.

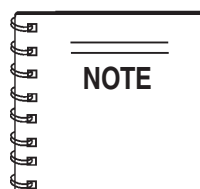
Generator Grounding

To guard against electrical shock and possible damage to the equipment, it is important to provide a good **EARTH** ground.

Article 250 (Grounding) of the National Electrical Code (NEC) provides guide lines for proper grounding and specifies that the cable ground shall be connected to the grounding system of the building as close to the point of cable entry as practical.

NEC articles 250-64(b) and 250-66 set the following grounding requirements:

1. Use one of the following wire types to connect the generator to earth ground.
 - a. Copper - 10 AWG (5.3 mm²) or larger.
 - b. Aluminum - 8 AWG (8.4 mm²) or larger.
2. When grounding the generator (Figure 2) connect the ground cable between the lock washer and the nut on the generator and tighten the nut fully. Connect the other end of the ground cable to earth ground.
3. NEC article 250-52(c) specifies that the earth ground rod should be buried a minimum of 8 ft. into the ground.



When connecting the generator to any buildings electrical system **ALWAYS** consult with a licensed electrician.

DCA-10SPX4 Whisperwatt™ Series Familiarization

Generator

The MQ Power Model DCA10SPX4 is a 8 kW **generator** (Figure 3) that is designed as a high quality portable (requires a trailer for transport) power source for telecom sites, lighting facilities, power tools, submersible pumps and other industrial and construction machinery.

Generator Control Panel

The "Engine Operating Panel" is provided with the following:

- Warning Lamp Unit
- Speed Control Switch
- Frequency Meter (Hz)
- AC Ammeter (Amps)
- AC Voltmeter (Volts)
- Voltage Regulator
- Ignition Switch
- Hour Meter
- 3-Pole, 45 amp Main Circuit Breaker
- 1-Pole, 20 amp Circuit Breaker (for GFCI)
- 1-Pole, 30 amp Circuit Breaker (for L5-30R)
- 1-Pole, 30 amp Circuit Breaker (for L6-30R)
- 1-Pole, 45 amp Circuit Breaker (for CS6369)
- "Control Box" (located behind the Gen. Control Panel)
 - Automatic Voltage Regulator
 - Current Transformer
 - Voltage Rectifier
 - Starter Relay

Output Terminal Panel

The "Output Terminal Panel" is provided with the following:

- 100V output receptacle (5-20R) GFCI, 20A
- 100V output receptacle (L5-30R), 30A
- 200V output receptacle(L6-30R), 30A
- 100/200V output receptacle (CS6369), 45A

Open Delta Excitation System

The generator is equipped with the state of the art "**Open-Delta**" excitation system. The open delta system consist of an electrically independent winding wound among stationary windings of the AC output section.

There are four connections of the open delta A, B, C and D. During steady state loads, the power from the voltage regulator is supplied from the parallel connections of A to B, A to D, and C to D. These three phases of the voltage input to the voltage regulator are then rectified and are the excitation current for the exciter section.

When a heavy load, such as a motor starting or a short circuit occurs, the automatic voltage regulator (AVR) switches the configuration of the open delta to the series connection of B to C. This has the effect of adding the voltages of each phase to provide higher excitation to the exciter section and thus better voltage response during the application of heavy loads.

The connections of the AVR to the AC output windings are for sensing only. No power is required from these windings.

The open-delta design provides virtually unlimited excitation current, offering maximum motor starting capabilities. The excitation does not have a "**fixed ceiling**" and responds according the demands of the required load.

Engine

The **DCA-10SPX4** is powered by a 3 cylinder, water cooled, **Kubota Model D1503-M diesel engine**. This engine is designed to meet every performance requirement for the generator. Reference Table 2 for engine specifications.

In keeping with MQ Power's policy of constantly improving its products, the specifications quoted herein are subject to change without prior notice.

Electric Governor System

The electric governor system controls the RPMs of the engine. When the engine demand increases or decreases, the governor system regulates the frequency variation to $\pm 2.5\%$.

Extension Cables

When electric power is to be provided to various tools or loads at some distance from the generator, extension cords are normally used. Cables should be sized to allow for distance in length and amperage so that the voltage drop between the generator and point of use (load) is held to a minimum. Use the cable selection chart (Table 6) as a guide for selecting proper extension cable size.

DCA10SPX4/DCA10SPXU4 — MAJOR COMPONENTS

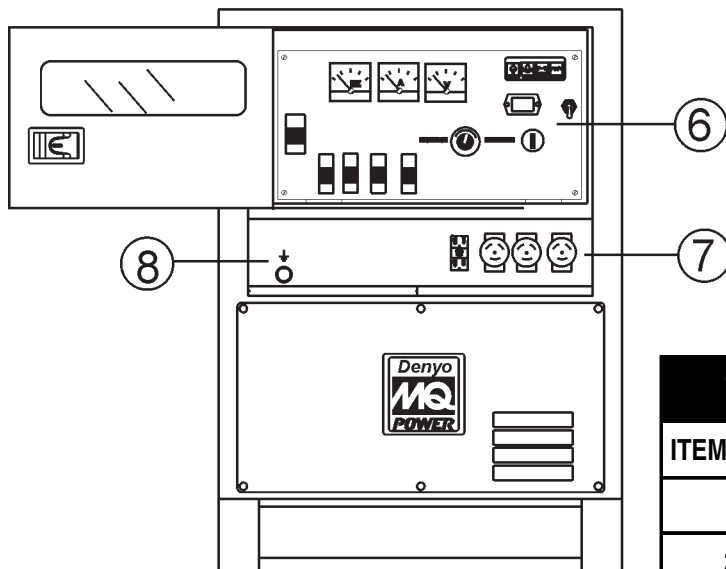
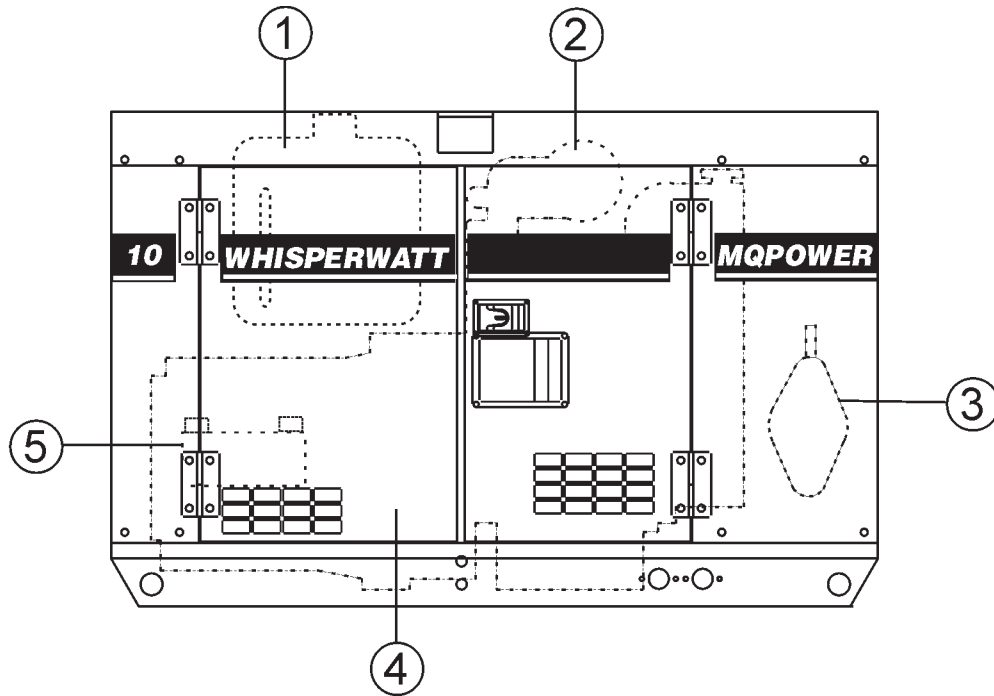


Figure 3. Major Components

Table 4. Generator Major Components

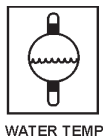
ITEM NO.	DESCRIPTION
1	Fuel Tank Assembly
2	Engine and Radiator Assembly
3	Muffler Assembly
4	Generator Assembly
5	Battery Assembly
6	Generator Control Panel Assembly
7	Output Receptacles Assembly
8	Ground Terminal Assembly

DCA10SPX4/DCA10SPXU4 — GENERATOR CONTROL PANEL

The definitions below describe the controls and functions of the **Generator Control Panel** (Figure 4).

1. **Frequency Meter** – Indicates the output frequency in hertz (Hz). Normally 50 Hz.
2. **AC Ammeter** – Indicates the amount of current the load is drawing from the generator.
3. **AC Voltmeter** – Indicates output voltage.
4. **Engine Warning Display Module** – This module displays the following engine failures:

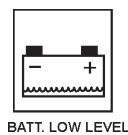
A. Overheat Lamp – This lamp goes ON when the coolant is over 234°F. If the lamp goes ON during normal operation of the generator, the emergency shut-down device will stop the engine automatically.



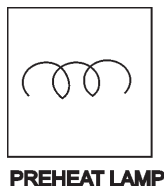
B. Low Oil Pressure Lamp – During normal operation of the generator this lamp should remain OFF. After the oil pressure rises after start-up, the lamp will go OFF. This lamp goes ON when the oil pressure drops below 7.1 PSI. If this lamp is ever lit (ON) during normal operation of the generator, the emergency shut-down device will stop the engine automatically.



C. Low Battery Fluid Lamp – This lamp goes ON when the battery fluid is low. If this lamp goes ON during normal operation of the generator, stop the engine and fill the battery with distilled water to the specified level.



D. Pre-Heat Lamp – This lamp indicates when the engine is ready for starting during cold weather operating condition. When engine failures (this light flashes) occur, refer to the **TROUBLESHOOTING** for a more detailed code.



5. **Hour Meter** – Indicates the number of hours machine has been in use.
6. **Speed Control Switch** – This switch controls the speed of the engine (idle/high).

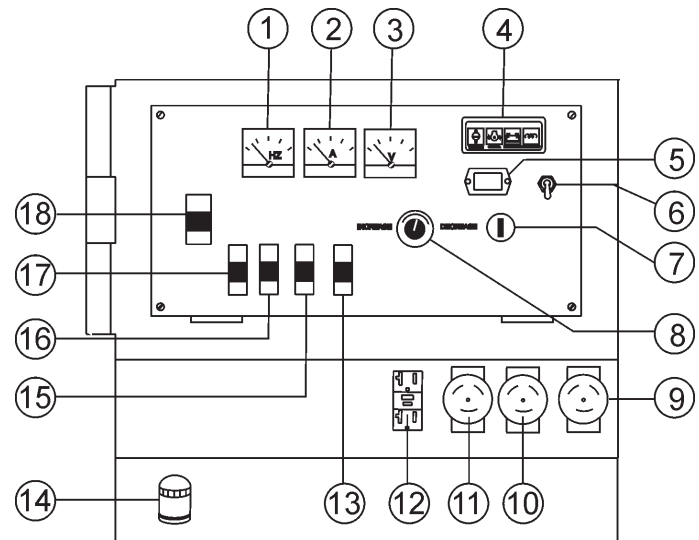


Figure 4. Generator Control Panel

7. **Ignition Switch** – Insert ignition key into this switch to start engine.
8. **Voltage Regulator Control** – Allows $\pm 15\%$ manual adjustment of the generator's output voltage.
9. **Twist Lock Dual Voltage Receptacle (CS6369)** – Provides 100/200 VAC output (45 amps max).
10. **Auxillary Receptacle (for L6-30R)** – Provides 200 VAC output (30 amps max).
11. **Auxillary Receptacle (for L5-30R)** – Provides 100 VAC output (30 amps max).
12. **GFCI Receptacle** – Provides 100 VAC output (20 amps max).
13. **CS6369 Receptacle Circuit Breaker** - This single-pole, 45A breaker is provided to protect the CS6369 receptacle from overload.
14. **Ground Terminal** - Ground Terminal for Output Receptacles.
15. **Auxillary Receptacle Circuit Breaker** - This single-pole, 30A breaker is provided to protect the auxillary receptacle (for L6-30R) from overload.
16. **Auxillary Receptacle Circuit Breaker** - This single-pole, 30A breaker is provided to protect the auxillary receptacle (for L5-30R) from overload.
17. **GFCI Receptacle Circuit Breaker** - This single-pole, 20A GFCI breaker is provided to protect the GFCI receptacle from overload.
18. **Main Circuit Breaker** – This three-pole, 45A main breaker is provided to protect the the generator from overload.

DCA-10SPX4 /U4— OUTPUT TERMINAL PANEL FAMILIARIZATION

Output Terminal Panel

The **Output Terminal Panel** (Figure 5) shown below is located on the right-hand side (left from control panel) of the generator. Lift up on the cover to gain access to receptacles and terminal lugs.

Output Terminal Familiarization

The “**Output Terminal Panel**” (Figure 5) is provided with the following:

- 100V GFCI receptacle @ 20 amp
- 100V receptacle @ 30 amp
- 200V receptacle @ 30 amp
- 100/200V CS6369 receptacle @ 45 amp
- Ground

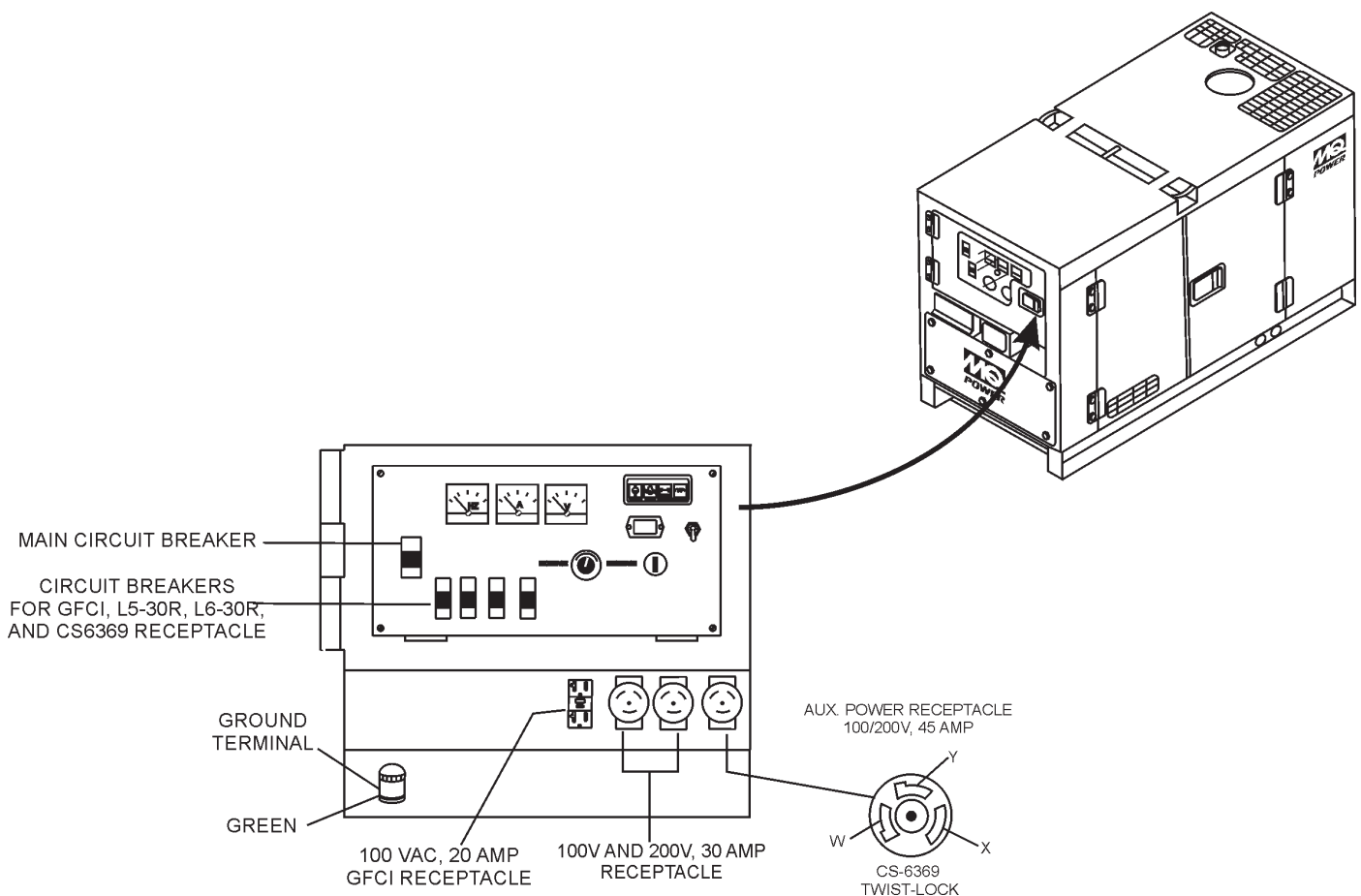


Figure 5. Output Terminal Panel

DCA-10SPX4 /U4 — OUTPUT TERMINAL PANEL FAMILIARIZATION

100 VAC GFCI Receptacle

This 100 VAC, 20 amp GFCI (Duplex Nema 5-20R) receptacle can be used anytime the generator is in operation. The receptacle is protected by a 20 amp circuit breaker. The breaker can be located on the generator control panel.

Pressing the **reset** button resets the GFCI receptacle after being tripped. Pressing the **Test Button** (See Figure 6) in the center of the receptacle will check the GFCI function. This receptacle should be tested at least once a month.

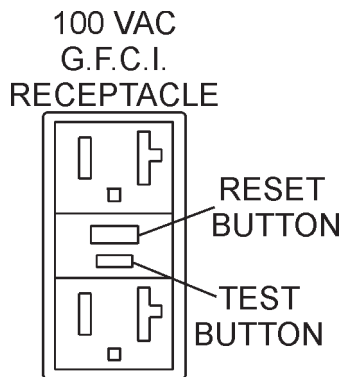


Figure 6. G.F.C.I. Receptacle

Twist Lock Dual Voltage 100/200 VAC Receptacle (Option)

There is one CS-6369 100/200V, 45 amp auxiliary twist-lock receptacle (Figure 7) provided on the output terminal panel. This receptacle is protected by a 45 amp circuit breaker.

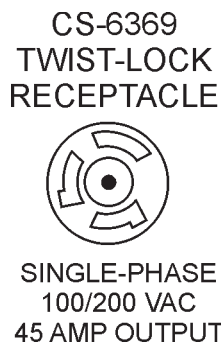


Figure 7. CS6369 Twist-Lock Auxiliary Receptacle

L5-30R Twist Lock 100 VAC Receptacle (Option)

There is one L5-30R, 100 VAC 30 amp auxiliary twist-lock receptacle (Figure 8) provided on the output terminal panel. This receptacle is protected by a 30 amp circuit breaker.

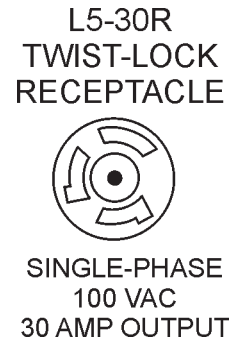


Figure 8. L5-30R Twist-Lock Auxiliary Receptacle

L6-30R Twist Lock 200 VAC Receptacle (Option)

There is one L6-30R, 200 VAC 30 amp auxiliary twist-lock receptacle (Figure 9) provided on the output terminal panel. This receptacle is protected by a 30 amp circuit breaker.

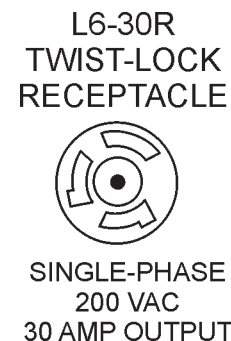


Figure 9. L6-30R Twist-Lock Auxiliary Receptacle

Turn the **voltage regulator control knob** (Figure 10) on the control panel to obtain the desired voltage. Turning the knob clockwise will **increase** the voltage, turning the knob counter-clockwise will **decrease** the voltage.



Figure 10. Voltage Regulator Control Knob

DCA-10SPX4 /U4— OUTPUT TERMINAL PANEL FAMILIARIZATION

Connecting Loads

Loads are connected to the generator by the convenience receptacles (Figure 11). Make sure to read the operation manual before attempting to connect a load to the generator.

To protect the output terminals from overload, a 3-pole, 45A **main** circuit breaker is provided. Make sure to switch **ALL** circuit breakers to the **OFF** position prior to starting the engine.

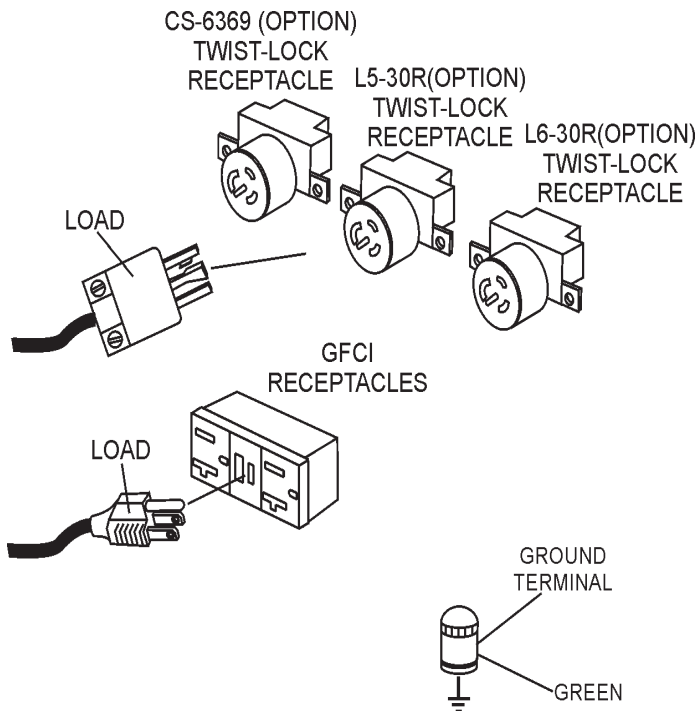


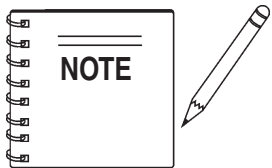
Figure 11. Connecting Loads

DCA10SPX4/DCA10SPXU4 — LOAD APPLICATION/MAXIMUM AMPS

Single Phase Load

Always be sure to check the nameplate on the generator and equipment to insure the wattage, amperage, frequency, and voltage requirements are satisfactorily supplied by the generator for operating the equipment.

Generally, the wattage listed on the nameplate of the equipment is its rated output. Equipment may require 130—150% more wattage than the rating on the nameplate, as the wattage is influenced by the efficiency, power factor and starting system of the equipment.



If wattage is not given on the equipment's name plate, approximate wattage may be determined by multiplying nameplate voltage by the nameplate amperage.

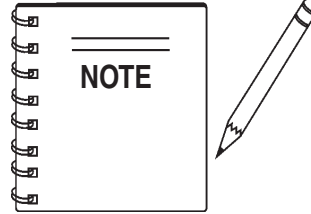
$$\text{WATTS} = \text{VOLTAGE} \times \text{AMPERAGE}$$

The power factor of this generator is 0.8. See Table 5 below when connecting loads.

Type Of Load	Power Factor
Single-phase induction motors	0.4 - 0.75
Electric heaters, incandescent lamps	1.0
Fluorescent lamps, mercury lamps	0.4 - 0.9
Electronic devices, communication equipment	1.0
Common power tools	0.8

Current in Amperes	Load In Watts		Maximum Allowable Cable Length			
	At 100 Volts	At 200 Volts	#10 Wire	#12 Wire	#14 Wire	#16 Wire
2.5	300	600	1000 ft.	600 ft.	375 ft.	250 ft.
5	600	1200	500 ft.	300 ft.	200 ft.	125 ft.
7.5	900	1800	350 ft.	200 ft.	125 ft.	100 ft.
10	1200	2400	250 ft.	150 ft.	100 ft.	
15	1800	3600	150 ft.	100 ft.	65 ft.	
20	2400	4800	125 ft.	75 ft.	50 ft.	

CAUTION: Equipment damage can result from low voltage.



Motors and motor-driven equipment draw much greater current for starting than during operation.

An inadequate size connecting cable which cannot carry the required load can cause a voltage drop which can burn out the appliance or tool and overheat the cable. See Table 6.

- When connecting a resistance load such as an incandescent lamp or electric heater, a capacity of up to the generating set's rated output (kW) can be used.
- When connecting a fluorescent or mercury lamp, a capacity of up to the generating set's rated output (kW) multiplied by 0.6 can be used.
- When connecting an electric drill or other power tools, pay close attention to the required starting current capacity.

When connecting ordinary power tools, a capacity of up to the generating set's rated output (kW) multiplied by 0.8 can be used.

DANGER - ELECTRICAL SYSTEM HAZARDS

Before connecting this generator to any building's electrical system, a **licensed electrician** must install an **isolation (transfer) switch**. Serious damage to the building's electrical system may occur without this transfer switch.

Generator Amperage

Table 7 describes the generator's current output capability.

Rated Voltage	Maximum Amps
Single Phase 100 Volt	40 X 2 amps
Single Phase 200 Volt	40 amps

Circuit Breakers

To protect the generator from an overload, a 3-pole, 45 amp, **main** circuit breaker has been provided. In addition a single-pole, 20 amp **GFCI** circuit breaker is provided to protect the GFCI receptacle from overload. Additional auxiliary **load** circuit breakers have been provided to protect the auxiliary receptacles from overload. Make sure to switch **ALL** circuit breakers to the **OFF** position prior to starting the engine.

Lubrication Oil

Fill the engine crankcase with lubricating oil through the filler hole, but **DO NOT** overfill. Make sure the generator is level, and verify that the oil level is maintained between the two notches (Figure 12) on the dipstick. See Table 8 for proper selection of engine oil.

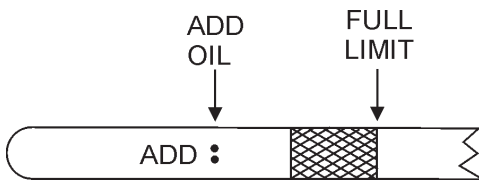


Figure 12. Engine Oil Dipstick

When checking the engine oil, be sure to check if the oil is clean. If the oil is not clean, drain the oil by removing the oil drain plug, and refill with the specified amount of oil as outlined in the **KUBOTA Engine Owner's Manual**. Oil should be warm before draining.

Other types of motor oils may be substituted if they meet the following requirements:

- API Service Classification CC/SC
- API Service Classification CC/SD
- API Service Classification CC/SE
- API Service Classification CC/SF

Table 8. Recommended Motor Oil		OIL: SAE	
°F	°C		
122	50		
104	40	10W/40	30
86	30		
68	20		
50	10		
32	0	ARCTIC OIL	5W/30
-14	-10		
-4	-20		
-22	-30		
-40	-40		
			10W/40
			15W/30
			10W/30
			10W
			20W/40

Fuel Check

! DANGER - EXPLOSION/FIRE HAZARDS

Fuel spillage on a **hot** engine can cause a **fire** or **explosion**. If fuel spillage occurs, wipe up the spilled fuel completely to prevent fire hazards. **NEVER** smoke around or near the generator.



Refilling the Fuel System

! CAUTION - REFUELING THE GENERATOR

ONLY properly trained personnel who have read and understand this section should refill the fuel tank system.

This generator has an internal fuel tank located inside the trailer frame and may also be equipped with an optional environmental fuel tank (Figure 13). **ALWAYS** fill the fuel tanks with clean fresh **#2 diesel fuel**. **DO NOT** fill the fuel tanks beyond their capacities.

Pay attention to the fuel tank capacity when replenishing fuel. The fuel tank cap must be closed tightly after filling. Handle fuel in a safety container. If the container does not have a spout, use a funnel. Wipe up any spilled fuel immediately.

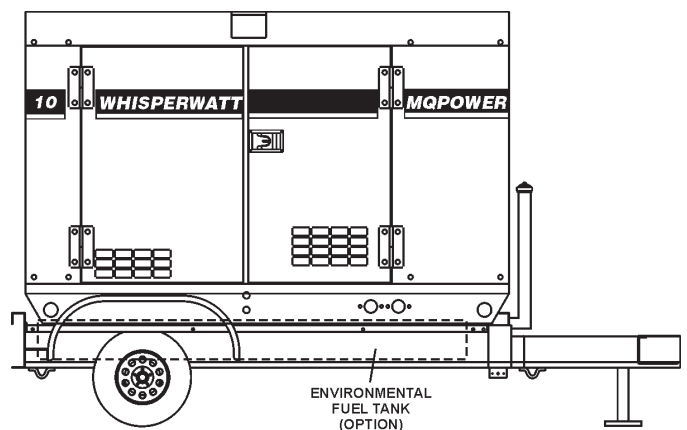


Figure 13. Internal Fuel Tank System

Refueling Procedure:

! WARNING - RESPIRATORY HAZARDS

Diesel fuel and its vapors are dangerous to your health and the surrounding environment. Avoid skin contact and/or inhaling fumes.



1. **Level Tanks** – Make sure fuel cells are level with the ground. Failure to do so will cause fuel to spill from the tank before reaching full capacity (Figure 14).

! CAUTION - REFUELING THE GENERATOR

ALWAYS place trailer on firm level ground before refueling to prevent spilling and maximize the amount of fuel that can be pumped into the tank.

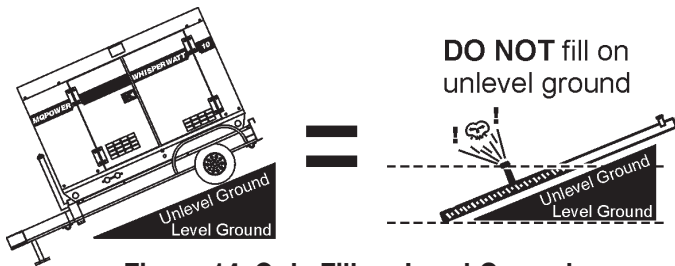
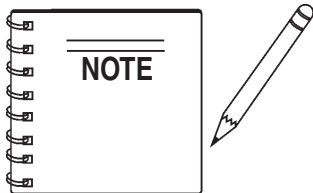


Figure 14. Only Fill on Level Ground



ONLY! use **#2 diesel fuel** when refueling.

2. Remove fuel cap (internal fuel tank) and fill fuel tank as shown Figure 15.

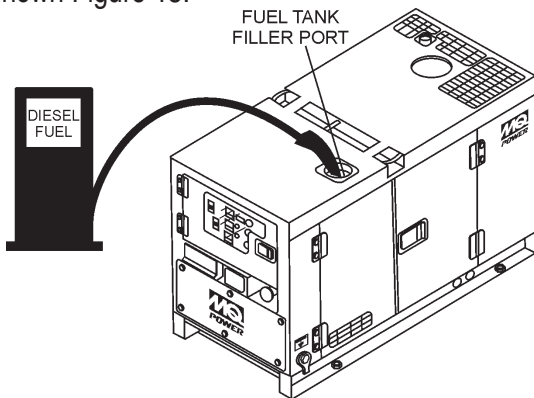
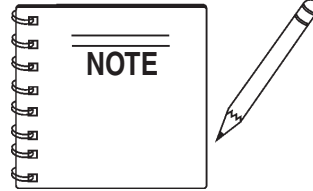


Figure 15. Fueling the Generator



If generator is equipped with an environmental fuel tank, reference Figures 16 and 17.

3. **NEVER overfill fuel tank** – It is important to read the fuel gauge when filling trailer fuel tank. **DO NOT** wait for fuel to rise in filler neck.

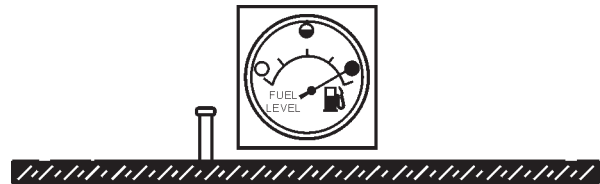


Figure 16. Full Fuel Tank

! CAUTION - REFUELING THE GENERATOR

DO NOT OVER-FILL fuel system. Leave room for fuel expansion. Fuel expands when heated (Figure 17).




Figure 17. Fuel Expansion

Coolant (Antifreeze/Summer Coolant/Water)

KUBOTA recommends antifreeze/summer coolant for use in their engines, which can be purchased in concentrate (and mixed with 50% demineralized water) or pre-diluted. See the **KUBOTA Engine Owner's Manual** for further details.

! WARNING - BURN HAZARDS

If adding coolant/antifreeze mix to the radiator, **DO NOT** remove the radiator cap until the unit has completely cooled. The possibility of **hot!** coolant exists which can cause severe burns.



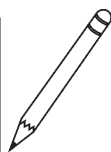
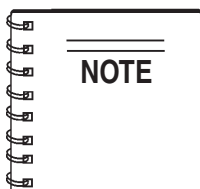
Day-to-day addition of coolant is done from the recovery tank. When adding coolant to the radiator, **DO NOT** remove the radiator cap until the unit has completely cooled. See Table 9 for engine, radiator, and recovery tank coolant capacities. Make sure the coolant level in the recovery tank is always between the "H" and the "L" markings.

Component	Capacity
Engine and Radiator	1.85 Gal. (7.0 liters)
Reserve Tank	.264 Gal (1.0 liters)

Operation Freezing Weather

When operating in freezing weather, be certain the proper amount of antifreeze (Table 10) has been added.

Vol % Anti-Freeze	Freezing Point	
	°C	°F
50	-37	-34



When the antifreeze is mixed with water, the antifreeze mixing ratio **must be** less than 50%.

Cleaning the Radiator

The engine may overheat if the radiator fins become overloaded with dust or debris. Periodically clean the radiator fins with compressed air. Cleaning inside the machine is dangerous, so clean only with the engine turned off and the **negative** battery terminal disconnected.

Air Cleaner

Periodic cleaning/replacement is necessary. Inspect it in accordance with the **KUBOTA Engine Owner's Manual**.

Fan Belt Tension

A slack fan belt may contribute to overheating, or to insufficient charging of the battery. Inspect the fan belt for damage and wear and adjust it in accordance with the **KUBOTA Engine Owner's Manual**.

The fan belt tension is proper if the fan belt bends 10 to 15 mm (Figure 18) when depressed with the thumb as shown below.

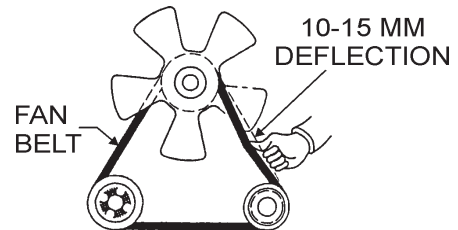




Figure 18. Fan Belt Tension

! CAUTION - ROTATING PARTS



NEVER place hands near the belts or fan while the generator set is running.



Battery

This unit is of negative ground **DO NOT** connect in reverse. Always maintain battery fluid level between the specified marks. Battery life will be shortened, if the fluid level are not properly maintained. Add only distilled water when replenishment is necessary.

DO NOT over fill. Check to see whether the battery cables are loose. Poor contact may result in poor starting or malfunctions. **Always** keep the terminals firmly tightened. Coating the terminals with an approved battery terminal treatment compound. Replace battery with only recommended type battery.

The battery is sufficiently charged if the specific gravity of the battery fluid is 1.28 (at 68° F). If the specific gravity should fall to 1.245 or lower, it indicates that the battery is dead and needs to be recharged or replaced.

Before charging the battery with an external electric source, be sure to disconnect the battery cables.

Battery Cable Installation

ALWAYS be sure the battery cables (Figure 19) are properly connected to the battery terminals as shown below. The **Red Cable** is connected to the positive terminal of the battery, and the **Black Cable** is connected to the negative terminal of the battery.

CAUTION - BATTERY SERVICING SAFETY

ALWAYS disconnect the negative terminal **FIRST** and reconnect negative terminal **LAST**.

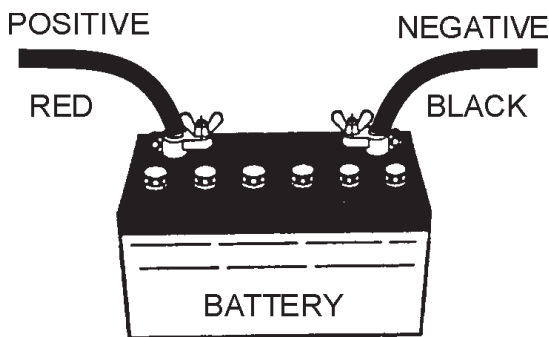
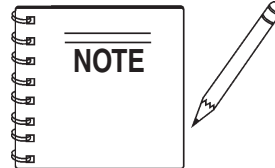


Figure 19. Battery Connections

When connecting battery do the following:

1. **NEVER** connect the battery cables to the battery terminals when the ignition switch is in the **ON** position
2. Place a small amount of battery terminal treatment compound around both battery terminals. This will ensure a good connection and will help prevent corrosion around the battery terminals.



If the battery cable is connected incorrectly, electrical damage to the generator will occur. Pay close attention to the polarity of the battery when connecting the battery.

CAUTION - BATTERY SERVICING SAFETY

Inadequate battery connections may cause poor starting of the generator, and create other malfunctions.

Alternator

The polarity of the alternator is negative grounding type. When an inverted circuit connection takes place, the circuit will be in short circuit instantaneously resulting the alternator failure.

DO NOT put water directly on the alternator. Entry of water into the alternator can cause corrosion and damage the alternator.

Wiring

Inspect the entire generator for bad or worn electrical wiring or connections. If any wiring or connections are exposed (insulation missing) replace wiring immediately.

Piping and Hose Connection

Inspect all piping, oil hose, and fuel hose connections for wear and tightness. Tighten all hose clamps and check hoses for leaks.

If any hose (**fuel** or **oil**) lines are defective replace them immediately.

DCA10SPX4/DCA10SPXU4 — GENERATOR START-UP PROCEDURE

Before Starting

⚠ CAUTION - LETHAL EXHAUST HAZARD

The engine's exhaust contains harmful emissions. **ALWAYS have adequate ventilation when operating.** Direct exhaust away from nearby personnel.

⚠ WARNING - STARTING THE GENERATOR

NEVER! manually start the engine with the **main, GFCI** or **auxiliary** circuit breakers in the **ON** (closed) position.

1. Place **main, GFCI**, and **aux.** circuit breakers (Figure 20) on the control panel in the **OFF** position prior to starting the engine.

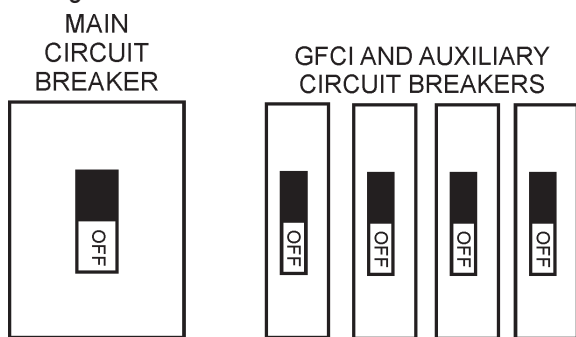
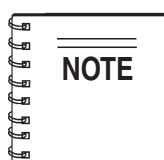
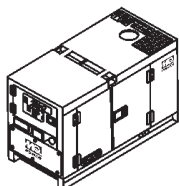


Figure 20. Main, GFCI, and Auxiliary Circuit Breakers (OFF)

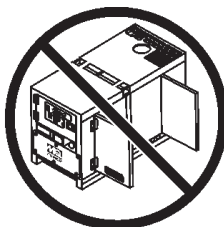


Generator may not be equipped with auxiliary circuit breakers or receptacles. This feature is optional

3. Connect the load to the **receptacles** as shown in Figure 11. These load connection points can be found on the output terminal panel and the output terminal panel's hard wire hookup panel.
4. Close all engine enclosure doors (Figure 21).



CORRECT



INCORRECT

Figure 21. Engine Enclosure Doors

Start-up Procedure

1. Set the Speed Control Switch to the **START/IDLE** position (Figure 22).

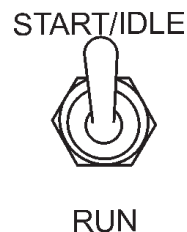


Figure 22. Speed Control Switch (START/IDLE)

2. Insert the ignition key into the ignition switch. Turn the key clockwise to the **PRE-HEAT** position (Figure 23A) and observe the **Pre-Heat Lamp**. When the **Pre-Heat Lamp** has turned off, continue turning the ignition key clockwise to the **START** position (Figure 23B). When the engine starts, release the key. If engine fails to start within 10 seconds, wait 30 seconds and repeat this step.

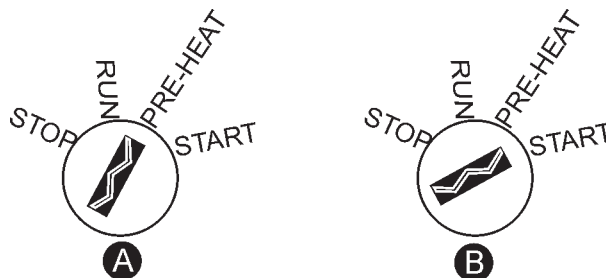


Figure 23. Ignition Switch

3. Once the engine starts, let it run for 1-2 minutes. Listen for any abnormal noises. If any abnormalities exist, shutdown the engine and correct the problem.
4. The generator's frequency meter (Figure 24) should be displaying the 50 cycle output frequency in **HERTZ**.

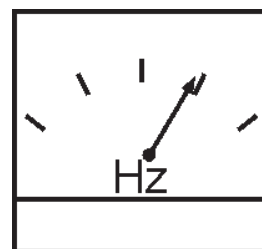


Figure 24. Frequency Meter (Hz)

DCA10SPX4/DCA10SPXU4 — GENERATOR START-UP PROCEDURE

5. The ammeter (Figure 25) will indicate **zero amps** with no load applied. When a load is applied, the ammeter will indicate the amount of current that the load is drawing from the generator.

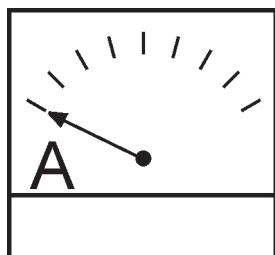


Figure 25. Ammeter (No Load)

6. Set the Speed Control Switch to the **RUN** position (Figure 26).

START/IDLE



Figure 26. Speed Control Switch (RUN)

7. Place the **main**, **GFCI**, and **aux.** (Figure 27) circuit breakers on the control panel in the **ON** position.

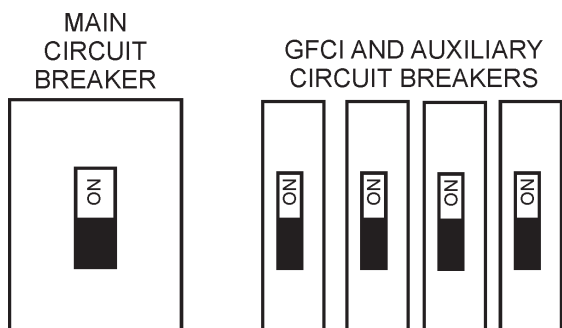


Figure 27. Main, GFCI, and Aux. Circuit Breakers (ON)

8. The generator's AC-voltmeter (Figure 28) will display the generator's output in **VOLTS**. If the voltage is not within the specified tolerance, use the voltage adjustment control knob (Figure 29) to increase or decrease the desired voltage.

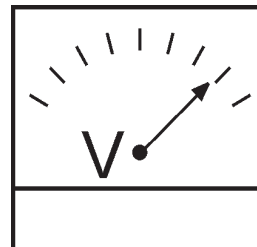


Figure 28. Voltmeter

9. Use the voltage adjustment control knob (Figure 29) to increase or decrease the desired voltage



Figure 29. Voltage Adjust Control Knob

10. Observe the generator's ammeter (Figure 30) and verify it reads the anticipated amount of current with respect to the load. The ammeter will only display a current reading if a load is in use.

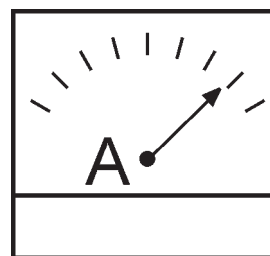


Figure 30. Ammeter (Load)

11. The generator will run until manually stopped or an abnormal condition occurs.

DCA10SPX4/DCA10SPXU4 — GENERATOR SHUT-DOWN PROCEDURES



WARNING - SHUTTING DOWN THE GENERATOR

NEVER stop the engine suddenly except in an emergency.

Normal Shutdown Procedure

To shutdown the generator use the following procedure:

1. Place both the **main**, **GFCI**, and **aux.** circuit breakers as shown in Figure 20 to the **OFF** position.
2. Set the Speed Control Switch to the **START/IDLE** position as shown in Figure 22 and let the engine cool for 3-5 minutes with no load applied.
3. Turn the ignition key counter-clockwise to the **STOP** position. When the engine has stopped, remove key. Place key in a safe place where it will not be lost.
4. Inspect entire generator for any damage or loosening of components that may have occurred during operation.

Emergency Shutdown Procedure

1. Turn the ignition key counter-clockwise to the **STOP** position. When the engine has stopped, remove key. Place key in a safe place where it will not be lost.
2. Place both the **main**, **GFCI**, and **aux.** circuit breakers as shown in Figure 20 to the **OFF** position.

TABLE 11. INSPECTION/MAINTENANCE		10 Hrs DAILY	250 Hrs	500 Hrs	1000 Hrs
ENGINE	Check Engine Fluid Levels	X			
	Check Air Cleaner	X			
	Check Battery Acid Level	X			
	Check Fan Belt Condition	X			
	Check for Leaks	X			
	Check for Loosening of Parts	X			
	Replace Engine Oil and Filter * 1		X		
	Clean Air Filter		X		
	Check Fuel Filter/Water Separator Bowl	X			
	Clean Unit, Inside and Outside		X		
	Change Fuel Filter			X	
	Clean Radiator and Check Coolant Protection Level*2			X	
	Replace Air Filter Element * 3			X	
	Check all Hoses and Clamps * 4				X
	Clean Inside of Fuel Tank				X
GENERATOR	Measure Insulation Resistance Over 3M ohms		X		
	Check Rotor Rear Support Bearing			X	

*1 Replace engine oil and filter at 100 hours, first time only.

*2 Add "Supplemental Coolant Additives (SCA'S)" to recharge the engine coolant.

*3 Replace primary air filter element when restriction indicator shows a vacuum of 625 mm (25 in. H₂O).

*4 If blowby hose needs to be replaced, ensure that the slope of the blowby hose is at least a 1/2 inch per foot, with no sags or dips that could collect moisture and/or oil.

General Inspection

Prior to each use, the generator should be cleaned and inspected for deficiencies. Check for loose, missing or damaged nuts, bolts or other fasteners. Also check for fuel, oil, and coolant leaks. Use Table 11 as a general engine maintenance guideline (Refer to the Engine Instruction Manual).

Air Cleaner

Every 250 hours: Remove air cleaner element and clean the heavy duty paper element with light spray of compressed air. Replace the air cleaner as needed.

Air Cleaner with Dust Indicator (If Equipped)

This indicator is attached to the air cleaner. When the air cleaner element is clogged, air intake restriction becomes greater and the dust indicator signal shows **RED** meaning the element needs changing or service. After changing the air element, press the dust indicator button to reset the indicator.

Service Daily

If the engine is operating in very **dusty** or **dry grass** conditions, a clogged air cleaner will result. This can lead to a loss of power, excessive carbon buildup in the combustion chamber and high fuel consumption. Change air cleaner more **frequently** if these conditions exist.

Fuel Addition

Add diesel fuel (the grade may vary according to season and locations).

Removing Water from the Fuel Tank

After prolonged use, water and other impurities accumulate in the bottom of the tank. Occasionally inspect the fuel tank for water contamination and drain the contents if required.

During cold weather, the more empty volume inside the tank, the easier it is for water to condense. This can be reduced by keeping the tank full with diesel fuel.

Air Removal

If air enters the fuel injection system of a diesel engine, starting becomes impossible. After running out of fuel, or after disassembling the fuel system, bleed the system according to the following procedure. See the **KUBOTA Engine Manual** for details.

To restart after running out of fuel, turn the switch to the "ON" position for 15-30 seconds. Try again, if needed. This unit is equipped with an automatic air bleeding system.

Check Oil Level

Check the crankcase oil level prior to each use, or when the fuel tank is filled. Insufficient oil may cause severe damage to the engine. Make sure the generator is level. The oil level must be between the two notches on the dipstick as shown in Figure 12.

Replacing Oil Filter

- Remove the old oil filter.
- Apply a film of oil to the gasket on the new oil filter.
- Install the new oil filter.
- After the oil cartridge has been replaced, the engine oil will drop slightly. Run the engine for a while and check for leaks before adding more oil if needed. Clean excessive oil from engine.

Cleaning the Fuel Strainer

Clean the fuel strainer if it contains dust or water. Remove dust or water in the strainer cap and wash it in gasoline. Securely fasten the fuel strainer cap so that fuel will not leak. Check the fuel strainer every 200 hours of operation or once a month.

Replacing Fuel Filter

- Replace the fuel filter cartridge with new one every 500 hours or so.
- Loosen the drain plug at the lower top of the fuel filter. Drain the fuel in the fuel body together with the mixed water. **DO NOT** spill the fuel during disassembly.
- Vent any air.

Flushing Out Radiator and Replacing Coolant

- Open both cocks located at the crankcase side and at the lower part of the radiator and drain coolant. Open the radiator cap while draining. Remove the overflow tank and drain.
- Check hoses for softening and kinks. Check clamps for signs of leakage.
- Flush the radiator by running clean tap water through radiator until signs of rust and dirt are removed. **DO NOT** clean radiator core with any objects, such as a screwdriver.
- Tighten both cocks and replace the overflow tank.
- Replace with coolant as recommended by the engine manufacturer.
- Close radiator cap tightly.

WARNING - BURN HAZARDS

Allow engine to **cool** when flushing out radiator. Flushing the radiator while hot could cause serious burns from water or steam.



Generator Storage

For long term storage of the generator the following is recommended:

- Fill the fuel tank completely. Treat with a fuel stabilizer if necessary.
- Completely drain the oil from the crankcase and refill if necessary with fresh oil.
- Clean the entire generator, internal and external.
- Cover the generating set and store in a clean, dry place.
- Disconnect the battery.
- Make sure engine coolant is at proper level.
- If generator is mounted on a trailer, jack trailer up and place on blocks so tires do not touch the ground or block and completely remove the tires.

Brakes

Trailer brakes should be inspected the **first 200 miles** of operation. This will allow the brake shoes and drums to seat properly. After the first 200 mile interval, inspect the brakes **every 3,000 miles**. If driving over rough terrain, inspect the brakes more frequently.

Figure 31 displays the major hydraulic surge brake components that will require inspection and maintenance. Please inspect these components as required using steps 1 through 8 and Table 12 as listed below:

Brake Adjustment

1. Place the trailer on jack stands. Make sure the jack stands are placed on secure level ground.
2. Check the wheel and drum for free rotation.
3. Remove the adjusting hole cover from the adjusting slot at the bottom brake backing plate.
4. With a screwdriver or standard adjusting tool, rotate the star wheel of the adjuster assembly to expand the brake shoes.
5. Adjust the brake shoes outward until the pressure of the lining against the wheel drum makes the wheel difficult to turn.
6. Adjust, rotate the star wheel in the opposite direction until the wheel rotates freely with slight lining drag.
7. Replace the adjusting hole cover and lower the trailer to the ground.
8. Repeat steps 1 through 7 on the remaining brakes.

Hydraulic Surge Brakes

Hydraulic surge brakes (Figure 31) should not require any special attention with the exception of routine maintenance such as shoe and lining replacement. Brake lines should be periodically checked for cracks, kinks, or blockage.

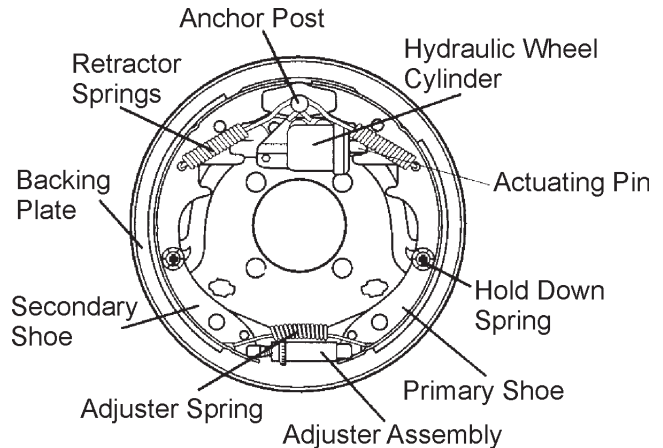


Figure 31. Hydraulic Brake Components

Actuator

Hydraulic surge braking requires the installation of an actuator at the tongue of the trailer. Remember the **surge** or **push** of the trailer toward the tow vehicle automatically synchronizes the trailer brakes with the tow vehicle brakes. As the trailer pushes against the tow vehicle the actuator telescopes together and applies force to the master cylinder, supplying hydraulic pressure to the trailer brakes.

Periodically check and test the surge “**actuator**” to make sure that it is functioning correctly. Never use an undersize actuator.

Table 12. Hydraulic Brake Troubleshooting

Symptom	Possible Cause	Solution
No Brakes	Brake line broken or kinked?	Repair or replace.
Weak Brakes or Brakes Pull to One Side	Brake lining glazed?	Reburnish or replace.
	Trailer overloaded?	Correct weight.
	Brake drums scored or grooved?	Machine or replace.
	Tire pressure correct?	Inflate all tires equally.
	Tires unmatched on the same axle?	Match tires.
Locking Brakes	Brake components loose, bent or broken?	Replace components.
	Brake drums out-of-round?	Replace.
Noisy Brakes	System lubricated?	Lubricate.
	Brake components correct?	Replace and correct.
Dragging Brakes	Brake lining thickness incorrect or not adjusted correctly?	Install new shoes and linings.
	Enough brake fluid or correct fluid?	Replace rubber parts fill with dot 4 fluid.

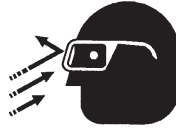
DCA10SPX4/DCA10SPXU4 — TRAILER MAINTENANCE

Tires/Wheels/Lug Nuts

Tires and wheels are a very important and critical components of the trailer. When specifying or replacing the trailer wheels it is important the wheels, tires, and axle are properly matched.

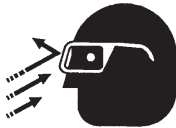
CAUTION - EYESIGHT HAZARD

ALWAYS wear safety glasses when removing or installing force fitted parts. Failure to comply may result in serious injury.



CAUTION - REPAIRING TRAILER WHEELS

DO NOT attempt to repair or modify a wheel. **DO NOT** install in inner tube to correct a leak through the rim. If the rim is cracked, the air pressure in the inner tube may cause pieces of the rim to explode (break off) with great force and cause serious eye or bodily injury.



Tire Wear/Inflation

Tire inflation pressure is the most important factor in tire life. Pressure should be checked cold before operation **DO NOT** bleed air from tires when they are **hot!** Check inflation pressure weekly during use to insure the maximum tire life and tread wear.

Table 13 (Tire Wear Troubleshooting) will help pinpoint the causes and solutions of tire wear problems.

TABLE 13. TIRE WEAR TROUBLESHOOTING

WEAR PATTERN		CAUSE	SOLUTION
	Center Wear	Over Inflation.	Adjust pressure to particular load per tire manufacturer.
	Edge Wear	Under Inflation.	Adjust pressure to particular load per tire manufacturer.
	Side Wear	Loss of camber or overloading.	Make sure load does not exceed axle rating. Align wheels.
	Toe Wear	Incorrect toe-in.	Align wheels.
	Cupping	Out-of-balance.	Check bearing adjustment and balance tires.
	Flat Spots	Wheel lockup & tire skidding.	Avoid sudden stops when possible and adjust brakes.

Suspension

The **leaf suspension** springs and associated components (Figure 32) should be visually inspected every 6,000 miles for signs of excessive wear, elongation of bolt holes, and loosening of fasteners. Replace all damaged parts (suspension) immediately. Torqued suspension components as detailed in Table 14.

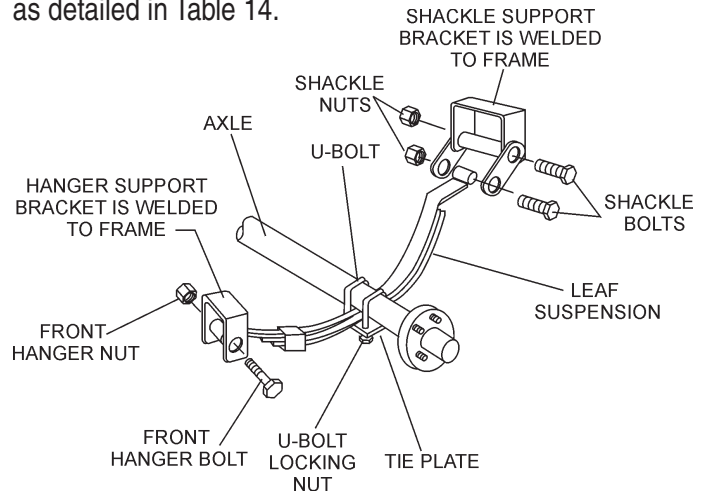


Figure 32. Major Suspension Components

Table 14. Suspension Torque Requirements

Item	Torque (Ft.-Lbs.)
3/8" U-BOLT	MIN-30 MAX-35
7/16" U-BOLT	MIN-45 MAX-60
1/2" U-BOLT	MIN-45 MAX-60
SHACKLE BOLT SPRING EYE BOLT	SNUG FIT ONLY. PARTS MUST ROTATE FREELY. LOCKING NUTS OR COTTER PINS ARE PROVIDED TO RETAIN NUT-BOLT ASSEMBLY.
SHOULDER TYPE SHACKLE BOLT	MIN-30 MAX-50

DCA10SPX4/DCA10SPXU4 — TRAILER MAINTENANCE

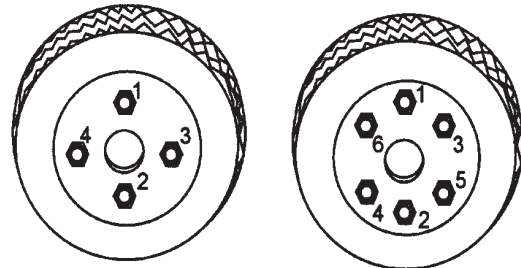
Lug Nut Torque Requirements

It is extremely important to apply and maintain proper wheel mounting torque on the trailer. Be sure to use only the fasteners matched to the cone angle of the wheel. Proper procedure for attachment of the wheels is as follows:

1. Start all wheel lug nuts by hand.
2. Torque all lug nuts in sequence (see Figure 33). **DO NOT** torque the wheel lug nuts all the way down. Tighten each lug nut in 3 separate passes as defined by Table 15.
3. After first road use, retorque all lug nuts in sequence. Check all wheel lug nuts periodically.

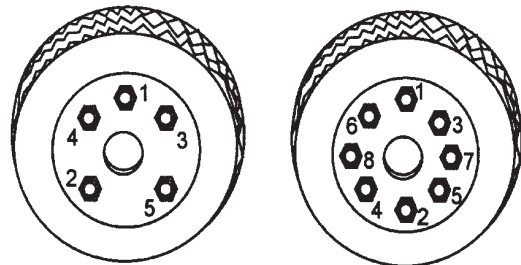
Table 15. Tire Torque Requirements

Wheel Size	First Pass FT-LBS	Second Pass FT-LBS	Third Pass FT-LBS
12"	20-25	35-40	50-65
13"	20-25	35-40	50-65
14"	20-25	50-60	90-120
15"	20-25	50-60	90-120
16"	20-25	50-60	90-120



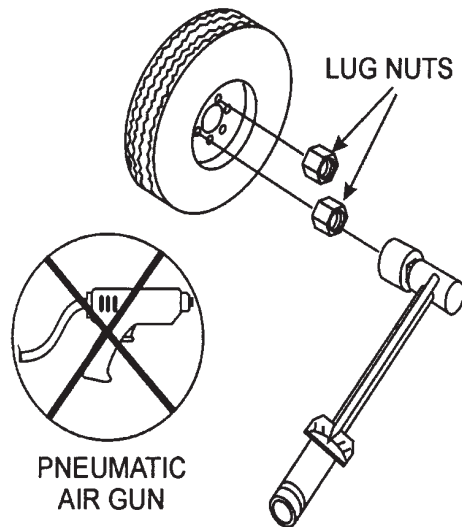
4-LUG NUTS

6-LUG NUTS



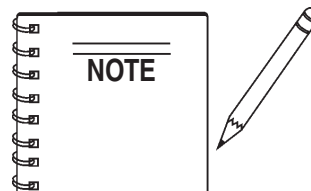
5-LUG NUTS

8-LUG NUTS



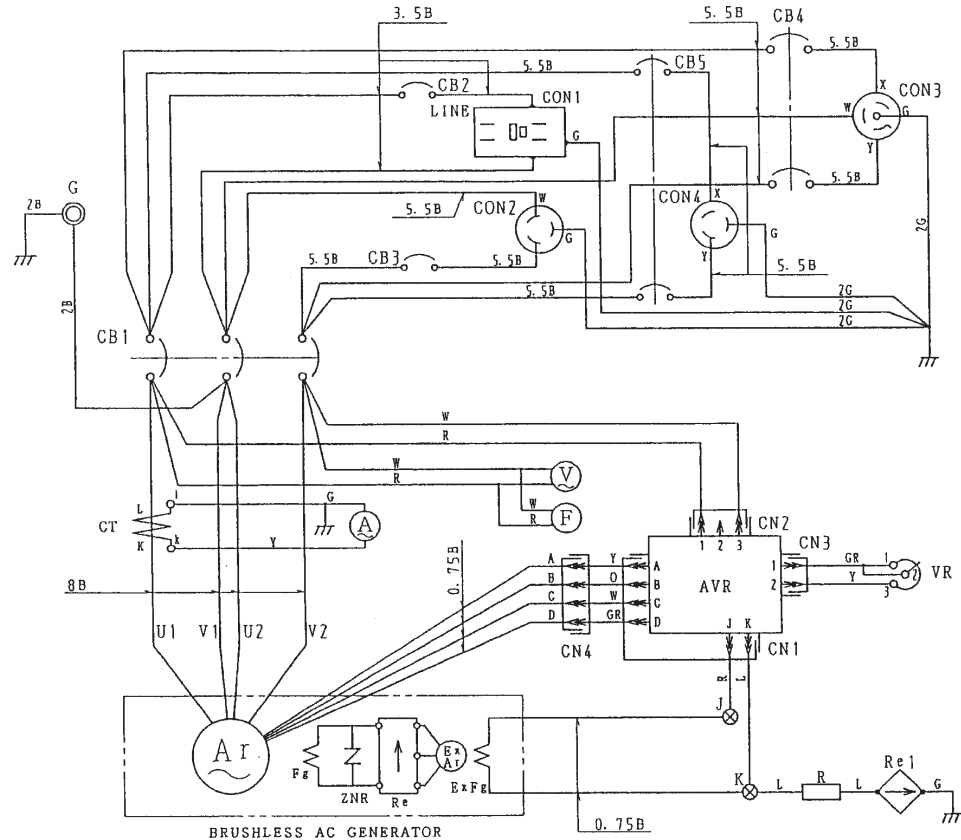
TORQUE WRENCH

Figure 33. Wheel Lug Nuts Tightening Sequence

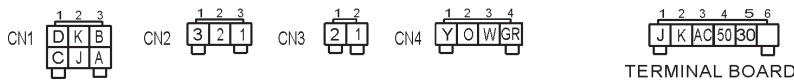


NEVER use an pneumatic air gun to tighten wheel lug nuts.

DCA10SPX4/DCA10SPXU4 — GENERATOR WIRING DIAGRAM



Notice :
1. No designation lead size : 1.25



COLOR CODE			
WIRE COLOR	WIRE COLOR	WIRE COLOR	
B	BLACK	R	RED
L	BLUE	W	WHITE
BR	BROWN	Y	YELLOW
G	GREEN	LB	LIGHT BLUE
GR	GRAY	LG	LIGHT GREEN
V	VIOLET	O	ORANGE
P	PINK		

CONNECTOR ARRANGEMENT (WIRING VIEW)

SYMBOL	DESIGNATION
V	AC.VOLTMETER
A	AC.AMMETER
F	FREQUENCY METER
CT	CURRENT TRANSFORMER, AMMETER
AVR	AUTOMATIC VOLTAGE REGULATOR
VR	VOLTAGE REGULATOR
CB1	CIRCUIT BREAKER 3P 45A
CB2	CIRCUIT BREAKER 20A
CB3	CIRCUIT BREAKER 30A
CB4	CIRCUIT BREAKER 45A
CB5	CIRCUIT BREAKER 30A
R	RESISTOR
Re1	RECTIFIER
CON1	RECEPTACLE 20A
CON2	RECEPTACLE 30A
CON3	RECEPTACLE 50A
CON4	RECEPTACLE 30A
J, K	COMBINATION TERMINAL
G	GROUND TERMINAL

Figure 34. Generator Wiring Diagram

DCA10SPX4/DCA10SPXU4 — ENGINE WIRING DIAGRAM

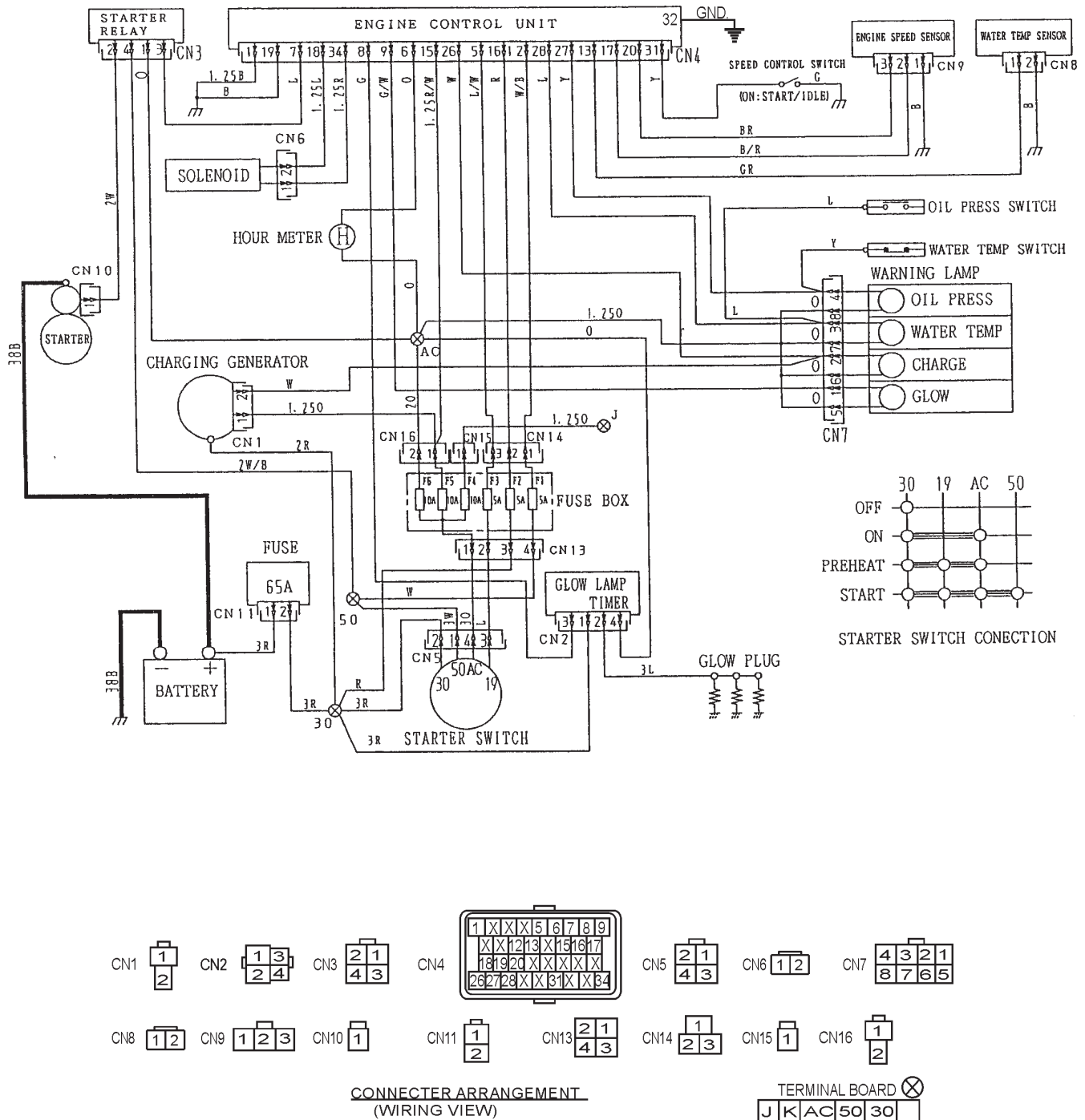


Figure 35. Engine Wiring Diagram

DCA10SPX4/DCA10SPXU4 — TROUBLESHOOTING (ENGINE)

Practically all breakdowns can be prevented by proper handling and maintenance inspections, but in the event of a breakdown, use Table 16 shown below for diagnosis of the engine. If the problem cannot be remedied, consult our company's business office or service plant.

TABLE 16. ENGINE TROUBLESHOOTING

SYMPTOM	POSSIBLE PROBLEM	SOLUTION
Engine does not start.	No fuel?	Replenish fuel.
	Air in the fuel system?	Bleed system.
	Water in the fuel system?	Remove water from fuel tank.
	Fuel pipe clogged?	Clean fuel pipe.
	Fuel filter clogged?	Clean or change fuel filter.
	Excessively high viscosity of fuel or engine oil at low temperature?	Use the specified fuel or engine oil.
	Fuel with low cetane number?	Use the specified fuel.
	Fuel leak due to loose injection pipe retaining nut?	Tighten nut.
	Incorrect injection timing?	Adjust.
	Fuel cam shaft worn?	Replace.
	Injection nozzle clogged?	Clean injection nozzle.
	Injection pump malfunctioning?	Repair or replace.
	Seizure of crankshaft, camshaft, piston, cylinder liner or bearing?	Repair or replace.
	Compression leak from cylinder?	Replace head gasket, tighten cylinder head bolt, glow plug and nozzle holder.
	Improper valve timing?	Correct or replace timing gear.
	Piston ring and liner worn?	Replace.
Excessive valve clearance?	Adjust.	
Starter does not run.	Battery discharged?	Charge battery.
	Starter malfunctioning?	Repair or replace.
	Key switch malfunctioning?	Repair or replace.
	Wiring disconnected?	Connect wiring.

DCA10SPX4/DCA10SPXU4 — TROUBLESHOOTING (ENGINE)

TABLE 16. ENGINE TROUBLESHOOTING (CONTINUED)

SYMPTOM	POSSIBLE PROBLEM	SOLUTION
Engine revolution is not smooth.	Fuel filter clogged or dirty?	Clean or change.
	Air cleaner clogged?	Clean or change.
	Fuel leak due to loose injection pipe retaining nut?	Tighten nut.
	Injection pump malfunctioning?	Repair or replace.
	Incorrect nozzle opening pressure?	Adjust.
	Injection nozzle stuck or clogged?	Repair or replace.
	Fuel over flow pipe clogged?	Clean.
	Governor malfunctioning?	Repair.
Either white or blue exhaust gas is observed.	Excessive engine oil?	Reduce to the specified level.
	Piston ring and liner worn or stuck?	Repair or replace.
	Incorrect injection timing?	Adjust.
	Deficient compression?	Adjust top clearance.
Either black or dark gray exhaust gas is observed.	Overload?	Lessen the load.
	Low grade fuel used?	Use the specified fuel.
	Fuel filter clogged?	Clean or change.
	Air cleaner clogged?	Clean or change.
	Deficient nozzle injection?	Repair or replace the nozzle.
Deficient output.	Incorrect injection timing?	Adjust.
	Engine's moving parts seem to be seizing?	Repair or replace.
	Uneven fuel injection?	Repair or replace the injection pump.
	Deficient nozzle injection?	Repair or replace the nozzle.
	Compression leak?	Replace head gasket, tighten cylinder head bolt, glow plug and nozzle holder.

DCA10SPX4/DCA10SPXU4 — TROUBLESHOOTING (GENERATOR)

Practically all breakdowns can be prevented by proper handling and maintenance inspections, but in the event of a breakdown, use Table 17 shown below for diagnosis of the generator. If the problem cannot be remedied, consult our company's business office or service plant.

TABLE 17. GENERATOR TROUBLESHOOTING

SYMPTOM	POSSIBLE PROBLEM	SOLUTION
No Voltage Output	AC Voltmeter defective?	Check output voltage using a voltmeter.
	Is wiring connection loose?	Check wiring and repair.
	Is AVR defective?	Replace if necessary.
	Defective Rotating Rectifier?	Check and replace.
	Defective Exciter Field?	Check for 17.3 ohms across J & K on CN1
Low Voltage Output	Is engine speed correct?	Turn engine throttle lever to "High".
	Is wiring connections loose?	Check wiring and repair.
	Defective AVR?	Replace if necessary.
High Voltage Output	Is wiring connections loose?	Check wiring and repair.
	Defective AVR?	Replace if necessary.
Circuit Breaker Tripped	Short Circuit in load?	Check load and repair.
	Over current?	Confirm load requirements and reduce.
	Defective circuit breaker?	Check and replace.
	Over current Relay actuated?	Confirm load requirement and replace.

DCA10SPX4/U4 — TROUBLESHOOTING (PRE-HEAT LAMP CODES)

When the Emergency/Malfunction Diagnosis Function has been activated, it stops the engine and flashes the pre-heat lamp to indicate the cause of the malfunction with its flashing patterns. The flashing patterns and countermeasures are shown below. The patterns consist of combinations of one or more long flashes and one or more short flashes.

TABLE 18. FAILURE DIAGNOSIS LAMP CODE

LOCATION OF FAULT	POSSIBLE FAULT REASONS	INDICATION	SUGGESTED REPAIRS
Engine Over Speed	115% or more the rated revolution speed	1 Long 1 Short	Check all of the connections. If connections are sound, contact the Service Department for repairs.
Low Oil Pressure	Engine stops at 49kPa or more (oil pressure lamp on)	1 Long 2 Short	
Insufficient Charge	Charging generator has no voltage	1 Long 3 Short	
Rotation Sensor	Defective sensor, disconnection, short circuit	2 Long 1 Short	
Solenoid	Disconnection, short circuit	2 Long 2 Short	
Water Temperature Sensor	Disconnection	2 Long 4 Short	
	Short circuit	2 Long 5 Short	
Charging Generator Terminal	Disconnection	2 Long 6 Short	
Over Voltage	VCC at 18V or more	2 Long 7 Short	
High Water Temperature	Engine stops at 115C or more	1 Long 4 Short	Make sure that routine service has been performed, and check thermo switch. If the problem persists, contact the Service Department for repairs.

DCA10SPX4/U4 — EXPLANATION OF CODE IN REMARKS COLUMN

The following section explains the different symbols and remarks used in the Parts section of this manual. Use the help numbers found on the back page of the manual if there are any questions.

The contents and part numbers listed in the parts section are subject to change **without notice**. Multiquip does not guarantee the availability of the parts listed.

Sample Parts List:

NO.	PART NO.	PART NAME	QTY.	REMARKS
1	12345	BOLT	1	INCLUDES ITEMS W/*
2*		WASHER, 1/4 IN.		NOT SOLD SEPARATELY
2*	12347	WASHER, 3/8 IN. ...	1	MQ-45T ONLY
3	12348	HOSE	A/R	MAKE LOCALLY
4	12349	BEARING	1	S/N 2345B AND ABOVE

NO. Column

Unique Symbols - All items with same unique symbol (*, #, +, %, or >) in the number column belong to the same assembly or kit, which is indicated by a note in the "Remarks" column.

Duplicate Item Numbers - Duplicate numbers indicate multiple part numbers are in effect for the same general item, such as different size saw blade guards in use or a part that has been updated on newer versions of the same machine.



When ordering a part that has more than one item number listed, check the remarks column for help in determining the proper part to order.

PART NO. Column

Numbers Used - Part numbers can be indicated by a number, a blank entry, or TBD.

TBD (To Be Determined) is generally used to show a part that has not been assigned a formal part number at time of publication.

A blank entry generally indicates that the item is not sold separately or is not sold by Multiquip. Other entries will be clarified in the "Remarks" Column.

QTY. Column

Numbers Used - Item quantity can be indicated by a number, a blank entry, or A/R.

A/R (As Required) is generally used for hoses or other parts that are sold in bulk and cut to length.

A blank entry generally indicates that the item is not sold separately. Other entries will be clarified in the "Remarks" Column.

REMARKS Column

Some of the most common notes found in the "Remarks" Column are listed below. Other additional notes needed to describe the item can also be shown.

Assembly/Kit - All items on the parts list with the same unique symbol will be included when this item is purchased.

Indicated by:

"INCLUDES ITEMS W/(unique symbol)"

Serial Number Break - Used to list an effective serial number range where a particular part is used.

Indicated by:

"S/N XXXXX AND BELOW"

"S/N XXXX AND ABOVE"

"S/N XXXX TO S/N XXX"

Specific Model Number Use - Indicates that the part is used only with the specific model number or model number variant listed. It can also be used to show a part is NOT used on a specific model or model number variant.

Indicated by:

"XXXXX ONLY"

"NOT USED ON XXXX"

"Make/Obtain Locally" - Indicates that the part can be purchased at any hardware shop or made out of available items. Examples include battery cables, shims, and certain washers and nuts.

"Not Sold Separately" - Indicates that an item cannot be purchased as a separate item and is either part of an assembly/kit that can be purchased, or is not available for sale through Multiquip.

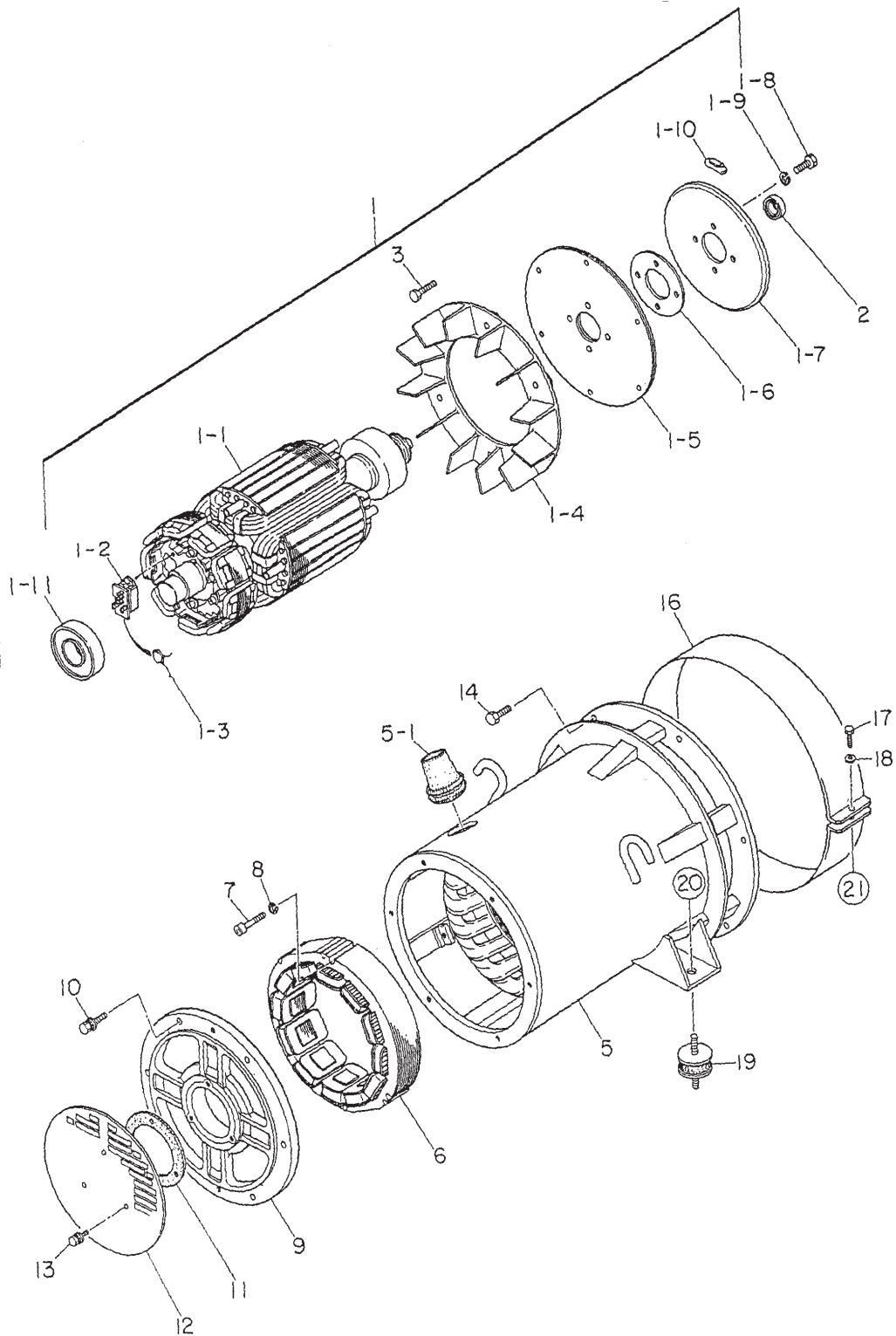
DCA10SPX4/DCA10SPXU4 — SUGGESTED SPARE PARTS

DCA10SPX4/DCA10SPXU4 WHISPER WATTGENERATORS W/KUBOTA D1503M DIESEL ENGINE 1 TO 3 UNITS

<u>Qty.</u>	<u>P/N</u>	<u>Description</u>
5	1641432433	FILTER, OIL
5	1522143172	ELEMENT, FUEL FILTER
3	0602046335	ELEMENT, AIR
1	1638297011	BELT, FAN
1	0810105800	CAP. FUEL TANK
1	1554383040	SENDER, WATER SWITCH (ENGINE)
1	1584139010	SENDER, OIL SWITCH (ENGINE)
5	0601806642	FUSE, 5A
4	0601806645	FUSE, 10A
1	0601806640	FUSE, 65A
1	0691820663	AUTOMATIC VOLTAGE REGULATOR
1	0601840073	RHEOSTAT
1	0601840121	KNOB, RHEOSTAT
1	0601808803	CIRCUIT BREAKER 1P@20A
1	0601808807	CIRCUIT BREAKER 1P@30A
1	0601808808	CIRCUIT BREAKER 2P@30A
1	0601808809	CIRCUIT BREAKER 2P@45A

DCA10SPX4/DCA10SPXU4 — GENERATOR ASSY.

GENERATOR ASSY.



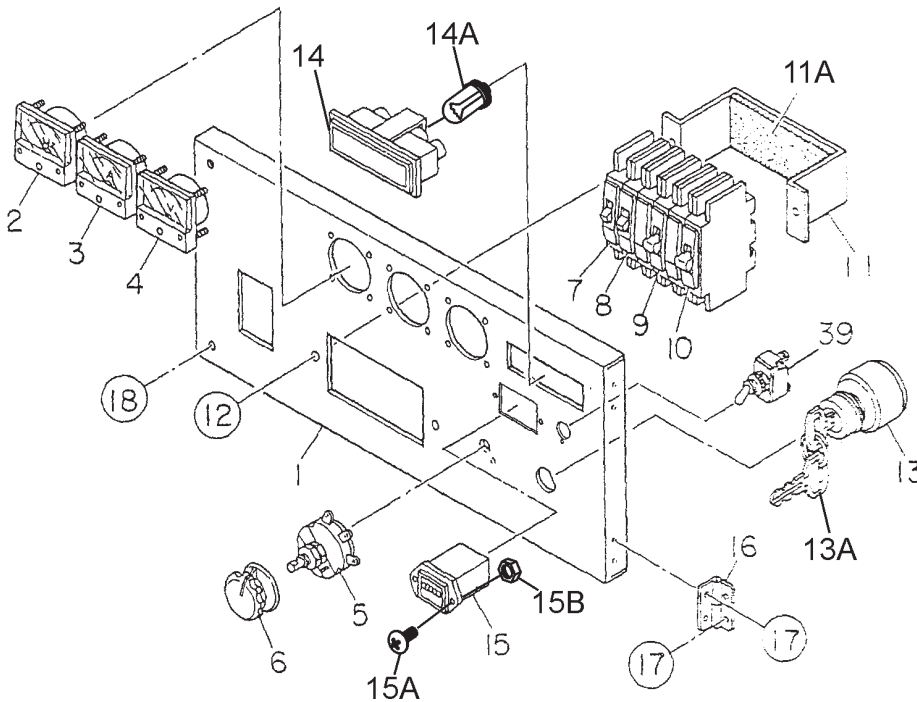
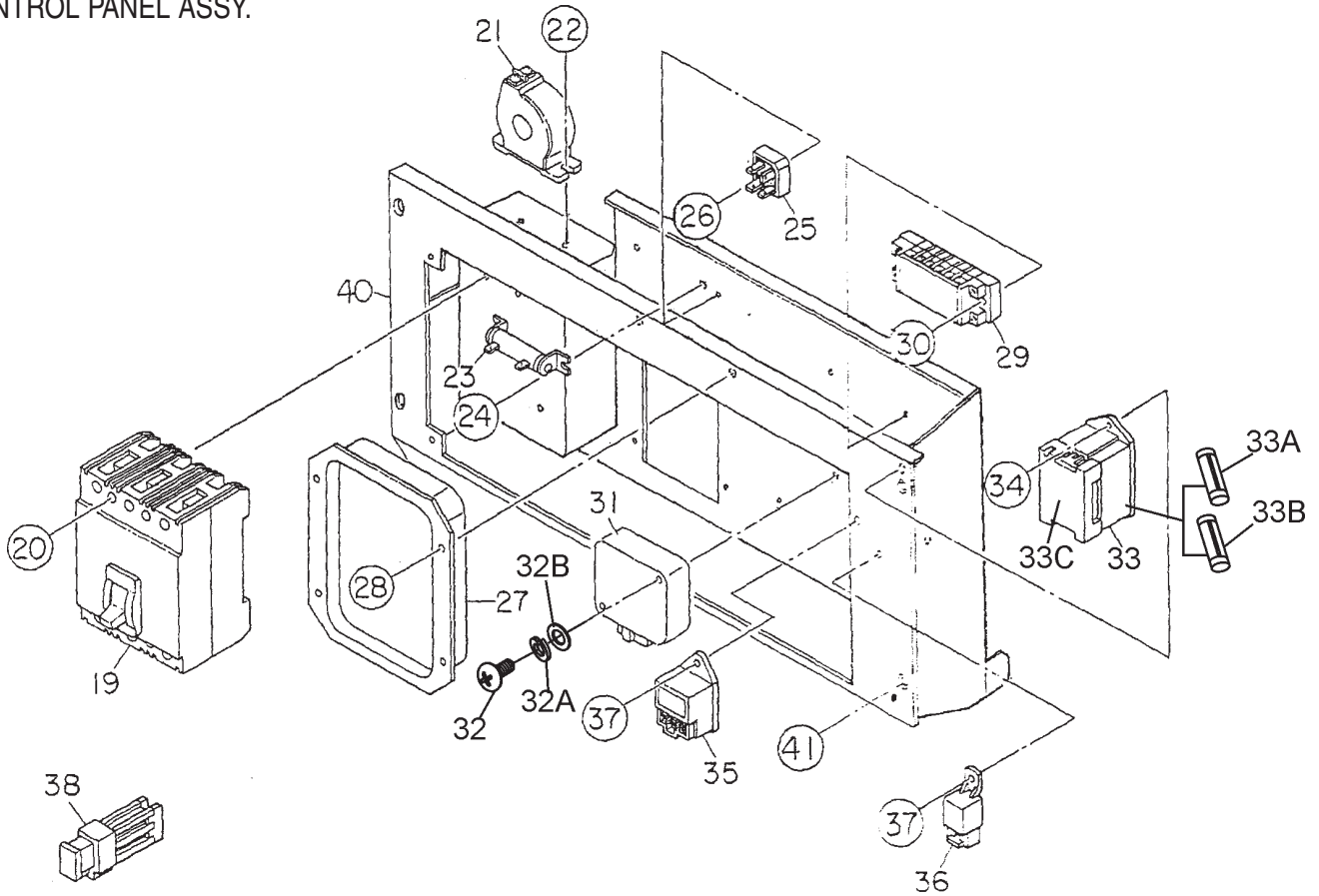
DCA10SPX4/DCA10SPXU4 — GENERATOR ASSY.

GENERATOR ASSY.

<u>NO.</u>	<u>PART NO.</u>	<u>PART NAME</u>	<u>QTY.</u>	<u>REMARKS</u>
1	8321000102	ROTOR ASSY	1	INCLUDES ITEMS W/%
1-1%		FIELD ASSY	1	
1-2%	0601821374	RECTIFIER	1	
1-3%	0601822630	SURGE ABSORBER	1	
1-4%	8001070003	FAN	1	
1-5%	8351611004	COUPLING DISK	2	
1-6%	8351612004	WASHER, COUPLING HUB	1	
1-7%	8351615003	BALANCING PLATE	1	PURCHASE 1-10 AS A SET
1-8%	0010310025	HEX HEAD BOLT	4	
1-9%	0042610000	WASHER, LOCK	4	
1-10%	0601000209	BALANCING WEIGHT KIT	1	
1-11	0071906308	BEARING, 6308DDU	1	
2	0070506903	BEARING, 6903ZZ	1	
3	0012808035	HEX HEAD BOLT	6	
5	B0130101003	STATOR ASSY	1	
5-1	0845041904	GROMMET	1	
6	8431350003	FIELD ASSY.,EXCITER	1	
7	0016008045	HEX SOCKET HEAD CAP SCREW	3	
8	0042508000	WASHER, LOCK	3	
9	8351315003	END BRACKET	1	
10	0017108035	HEX HEAD BOLT	6	
11	8351312004	PACKING	1	
12	8351331004	COVER, SUCTION	1	
13	0017106016	HEX HEAD BOLT	3	
14	0012810025	HEX HEAD BOLT	6	
16	B0155400204	COVER, FAN	1	
17	0010106030	HEX HEAD BOLT	1	
18	0041206000	WASHER, FLAT	1	
19	0805083204	RUBBER SUSPENSION	2	
20	0207010000	HEX NUT	2	
21	0601815000	NUT	1	

DCA10SPX4/DCA10SPXU4 — CONTROL PANEL ASSY.

CONTROL PANEL ASSY.



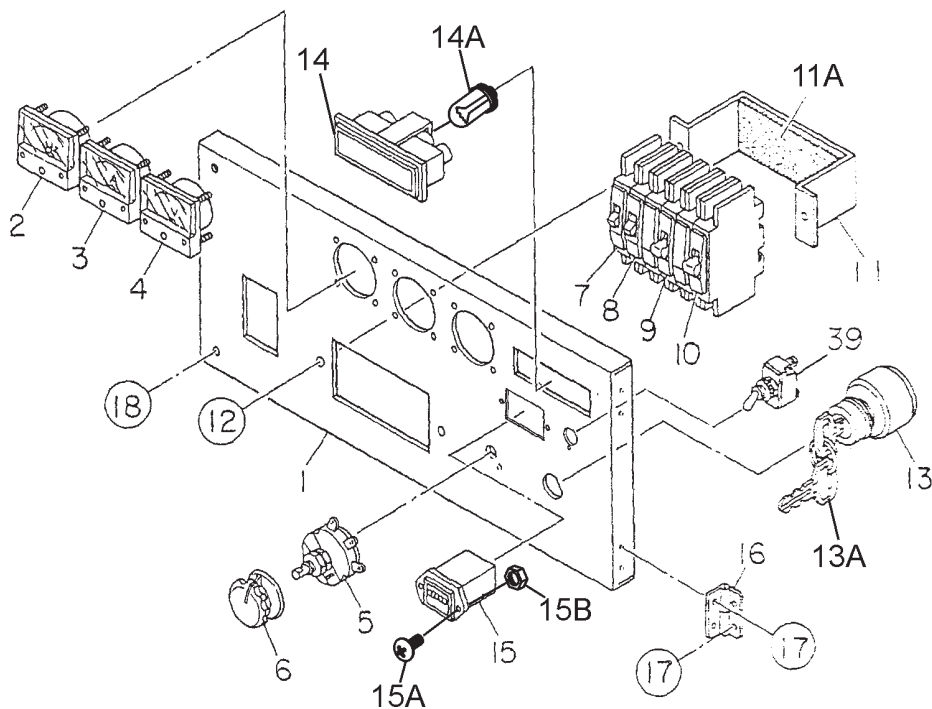
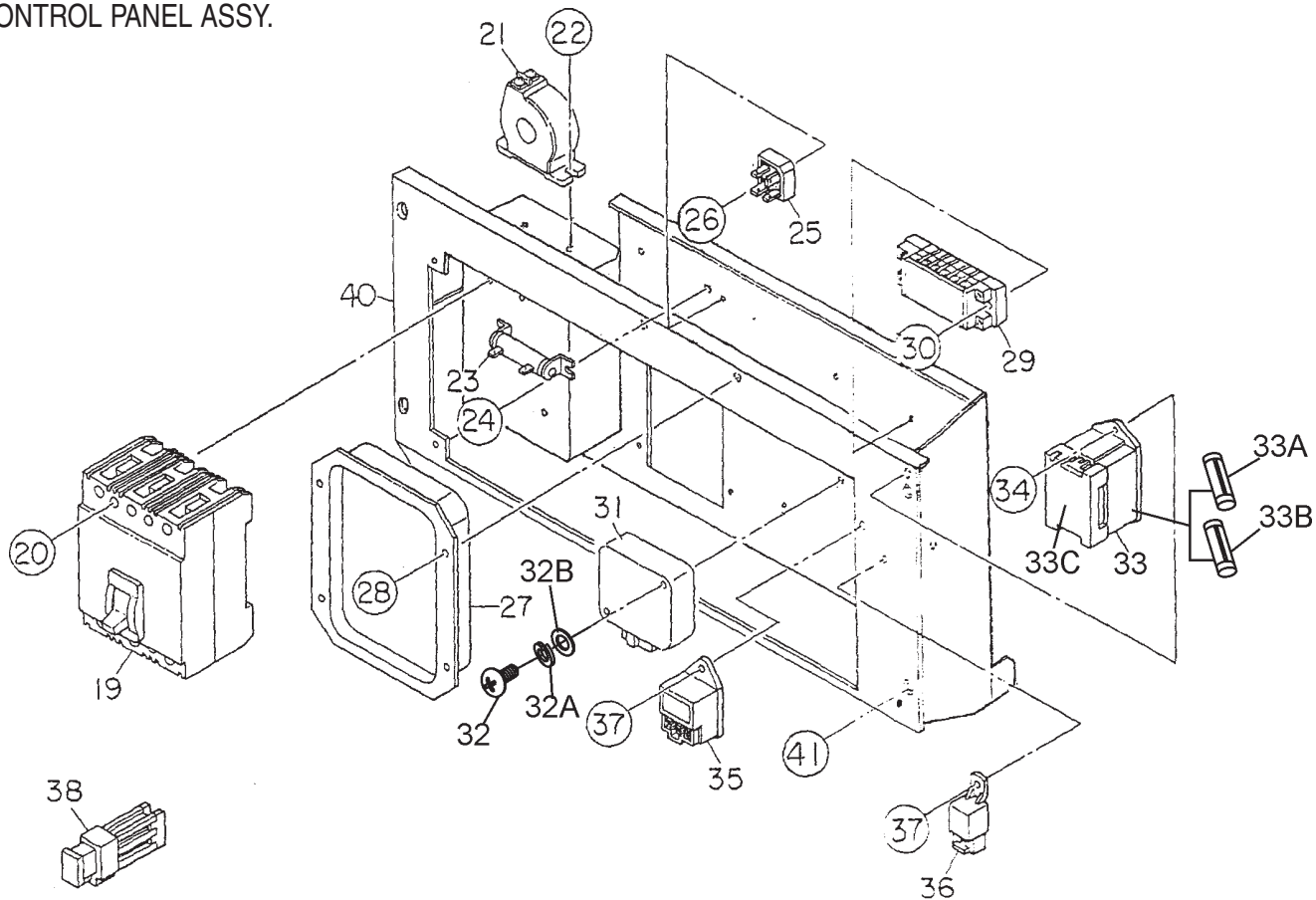
DCA10SPX4/DCA10SPXU4 — CONTROL PANEL ASSY.

CONTROL PANEL ASSY.

<u>NO.</u>	<u>PART NO.</u>	<u>PART NAME</u>	<u>QTY.</u>	<u>REMARKS</u>
1	B0224005103	CONTROL PANEL	1	DCA10SPX4
1	M0224000003	CONTROL PANEL	1	DCA10SPXU4
2	0601800455	FREQUENCY METER, 45~65 Hz	1	
3	0601805745	AC AMMETER, 0~75/5A	1	
4	0601800281	AC VOLTMETER, 0~150/300V	1	
5	0601840073	RHEOSTAT (VR), 2W 1K OHM	1	
6	0601840121	KNOB, RHEOSTAT	1	
7	0601808803	CIRCUIT BREAKER, 1P 20A	1	
8	0601808807	CIRCUIT BREAKER, 1P 30A	1	
9	0601808808	CIRCUIT BREAKER, 2P 30A	1	
10	0601808809	CIRCUIT BREAKER, 2P 45A	1	
11	B0262600804	BRACKET	1	
11-1	0222100115	RUBBER CUSHION	1	
12	0021806015	MACHINE SCREW	2	
13	1628663602	STARTER SWITCH.....	1	REPLACES P/N 3741059113
13A	3741055150	KEY, STARTER SWITCH		
14	0601810523	WARNING LAMP UNIT	1	
14A	0601810830	BULB	4	
15	0601800682	HOUR METER	1	
15A	0027403010	MACHINE SCREW	2	
15B	0207003000	HEX NUT	2	
16	0605010060	HINGE	2	
17	0027103008	MACHINE SCREW	8	
18	0021806030	MACHINE SCREW	2	
19	0601808817	CIRCUIT BREAKER, 45A	1	
20	0021005080	MACHINE SCREW	4	
21	0601801123	CURRENT TRANS., AMMETER, 150/5A	1	
22	0027105015	MACHINE SCREW	2	
23	0601842304	RESISTOR, GG20W50 OHM	1	
24	0027104010	MACHINE SCREW	2	
25	0601820038	RECTIFIER	1	
26	0027104020	MACHINE SCREW	1	
27	0601820663	AUTOMATIC VOLTAGE REGULATOR	1	
28	0027105015	MACHINE SCREW	4	
29	0601815759	TERMINAL BOARD	1	
30	0027104020	MACHINE SCREW	2	
31	1G38560601	ENGINE CONTROL UNIT	1	REPLACES P/N 0602202634
32	0021005050	MACHINE SCREW	2	
32A	0040005000	WASHER, LOCK	2	
32B	0041205000	WASHER, FLAT	2	
33	B0214600404	FUSE BOX	1	
33A	0601806642	FUSE, 5A	5	
33B	0601806645	FUSE, 10A	4	
33C	B0551002104	DECAL : FUSE BOX	1	
34	0027105015	MACHINE SCREW	2	
35	RP42153731	RELAY ASSY	1	REPLACES P/N 0602202635
36	6888153542	RELAY	1	REPLACES P/N 0602202566

DCA10SPX4/DCA10SPXU4 — CONTROL PANEL ASSY.

CONTROL PANEL ASSY.



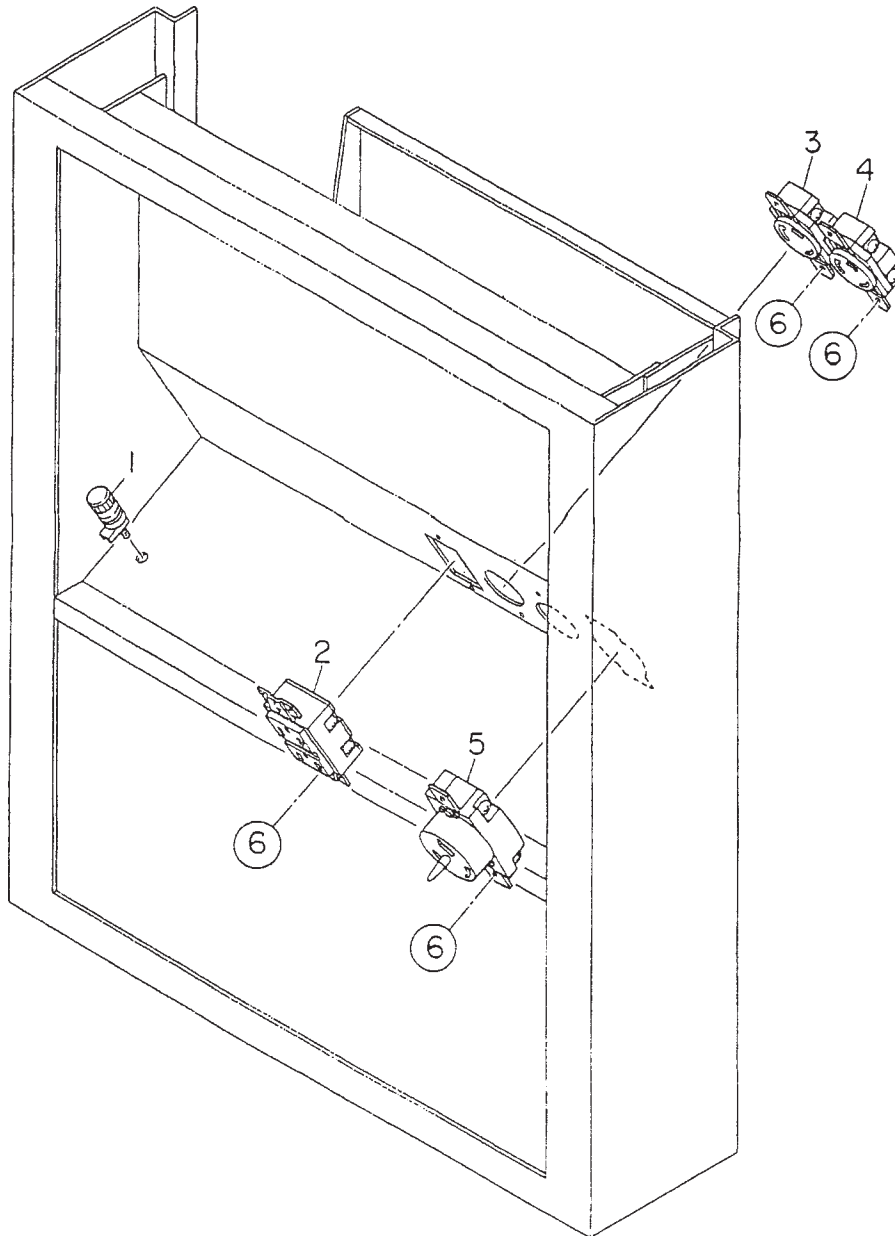
DCA10SPX4/DCA10SPXU4 — CONTROL PANEL ASSY.

CONTROL PANEL ASSY.

<u>NO.</u>	<u>PART NO.</u>	<u>PART NAME</u>	<u>QTY.</u>	<u>REMARKS</u>
37	0027105015	MACHINE SCREW	2	
38	0601806640	FUSE, 65A	1	
39	0601830771	SPEED CONTROL SWITCH	1	
40	B0214002903	CONTROL BOX	1	DCA10SPX4
40	M0214000003	CONTROL BOX	1	DCA10SPXU4
41	0017108020	HEX HEAD BOLT	4	

DCA10SPX4/DCA10SPXU4 — OUTPUT RECEPTACLE ASSY.

OUTPUT RECEPTACLE ASSY.



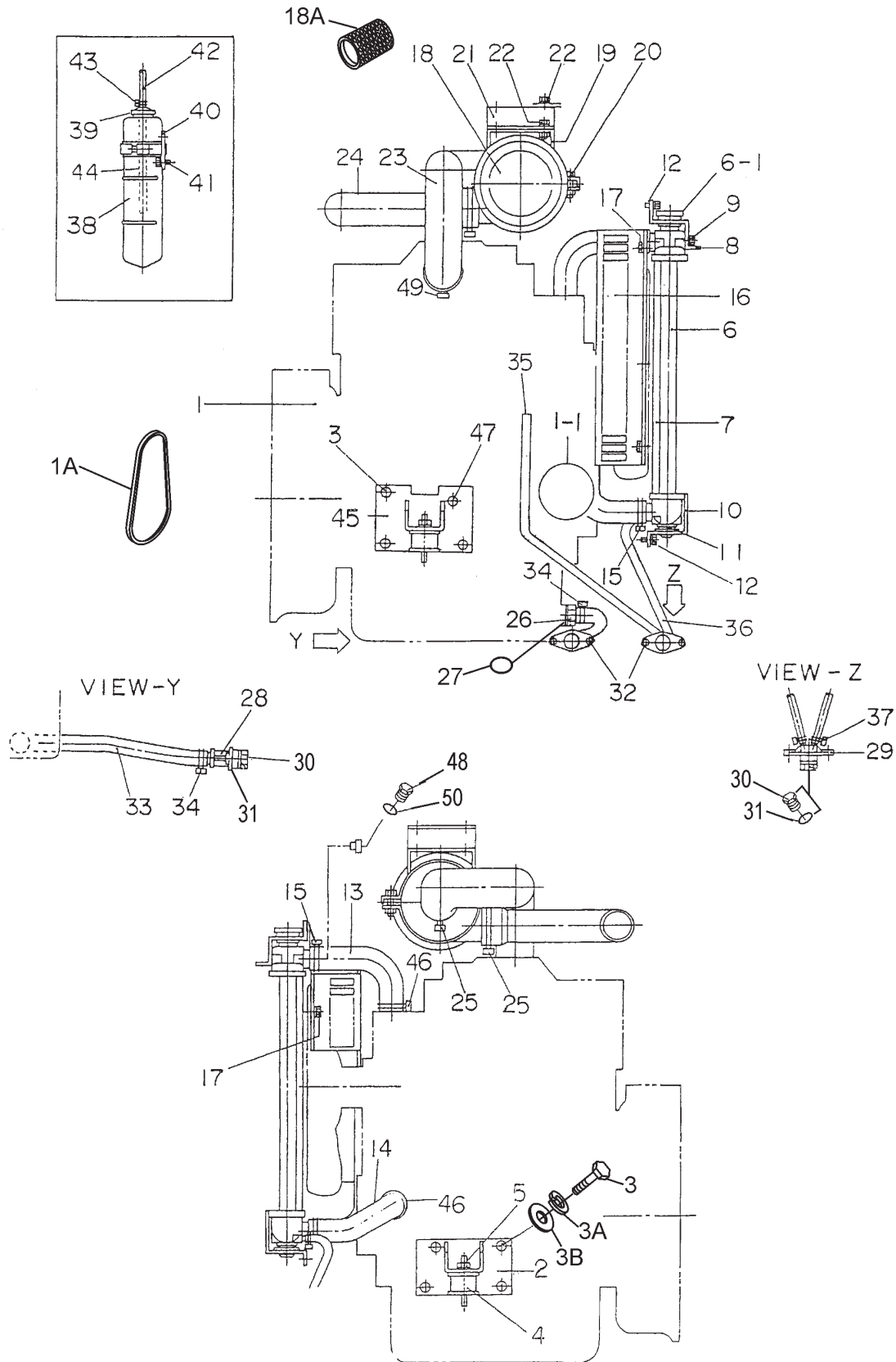
DCA10SPX4/DCA10SPXU4 — OUTPUT RECEPTACLE ASSY.

OUTPUT RECEPTACLE ASSY.

<u>NO.</u>	<u>PART NO.</u>	<u>PART NAME</u>	<u>QTY.</u>	<u>REMARKS</u>
1	0601815109	GROUND TERMINAL	1	
2	0601812598	RECEPTACLE, 5-20R	1	
3	0601811035	RECEPTACLE, L5-30R	1	
4	0601811033	RECEPTACLE, L6-30R	1	
5	0601812565	RECEPTACLE, CS6369	1	
6	0027104012	MACHINE SCREW	8	
6A	0207004000	HEX NUT	8	

DCA10SPX4/DCA10SPXU4 — ENGINE AND RADIATOR ASSY.

ENGINE AND RADIATOR ASSY.



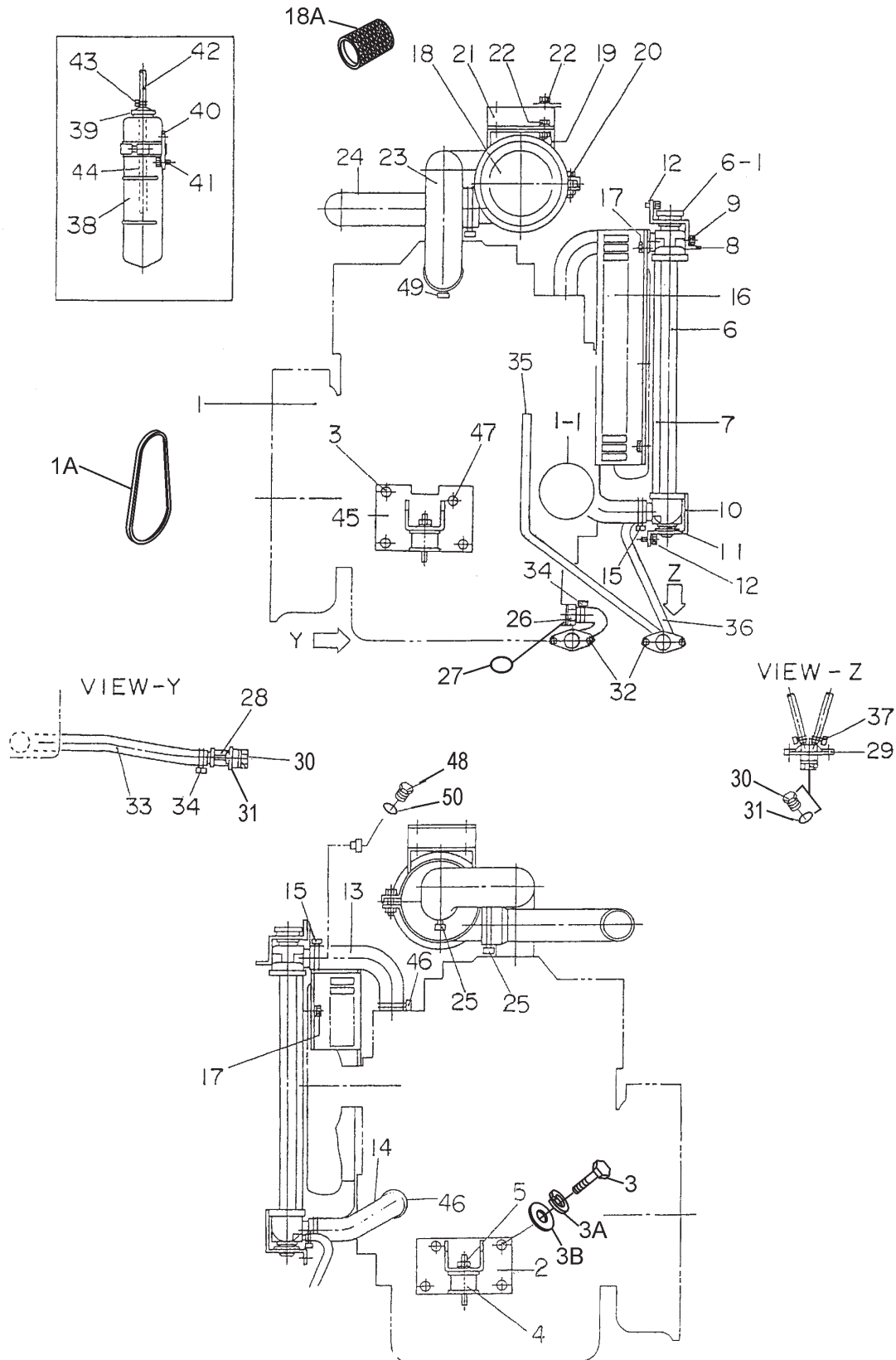
DCA10SPX4/DCA10SPXU4 — ENGINE AND RADIATOR ASSY.

ENGINE AND RADIATOR ASSY.

<u>NO.</u>	<u>PART NO.</u>	<u>PART NAME</u>	<u>QTY.</u>	<u>REMARKS</u>
1	B0924200174	ENGINE, KUBOTA D1503		
1A	1638297011	FAN BELT,	1	REPLACES P/N 0602015260
1-1	1641432433	CARTRIDGE, OIL FILTER,	1	REPLACES P/N 0602041279
2	B0304200403	ENGINE FOOT	1	
3	0011712025	HEX HEAD BOLT	7	
3A	0040012000	WASHER, LOCK	7	
3B	0041212000	WASHER, FLAT	7	
4	7605419004	RUBBER SUSPENSION	2	
5	0207010000	HEX NUT	2	
6	0602012733	RADIATOR	1	
6-1	0602011079	CAP, RADIATOR	1	
7	0220300400	RUBBER SEAL	2	
8	B1311100204	BRACKET, RADIATOR	1	
9	0016908020	HEX HEAD BOLT	2	
10	B0311100603	BRACKET, RADIATOR	1	
11	B1312600004	MOUNT RUBBER	2	
12	0017108020	HEX HEAD BOLT	5	
13	B0311500803	RADIATOR HOSE, UPPER	1	
14	B0311500903	RADIATOR HOSE, LOWER	1	
15	0605515135	HOSE BAND	2	
16	B0311200403	FAN GUARD	1	
17	0017108020	HEX HEAD BOLT	3	
18	0602046268	AIR CLEANER	1	
18A	0602046335	ELEMENT, AIR CLEANER	1	
19	8722031503	BAND, AIR CLEANER	1	
20	0017108030	HEX HEAD BOLT	1	
21	B1374200204	BRACKET, AIR CLEANER	1	
22	0016908020	HEX HEAD BOLT	4	
23	B1374100503	HOSE, AIR CLEANER	1	
24	B0374100304	HOSE, AIR CLEANER	1	
25	0605515001	HOSE BAND	2	
26	1502025004	DRAIN JOINT	1	
27	0602021193	PACKING	1	
28	1502025103	DRAIN JOINT	1	
29	1622014103	DRAIN JOINT	1	
30	0802011104	PLUG	2	
31	0150000018	O-RING	2	
32	0016906020	HEX HEAD BOLT	4	
33	B0321100304	DRAIN HOSE	1	
34	0605515064	HOSE BAND	2	
35	0199900500	DRAIN HOSE	1	
36	0199900350	DRAIN HOSE	1	
36	0199900350	DRAIN HOSE	1	
37	0605515094	HOSE BAND	4	
38	0802081403	RESERVE TANK	1	

DCA10SPX4/DCA10SPXU4 — ENGINE AND RADIATOR ASSY.

ENGINE AND RADIATOR ASSY.



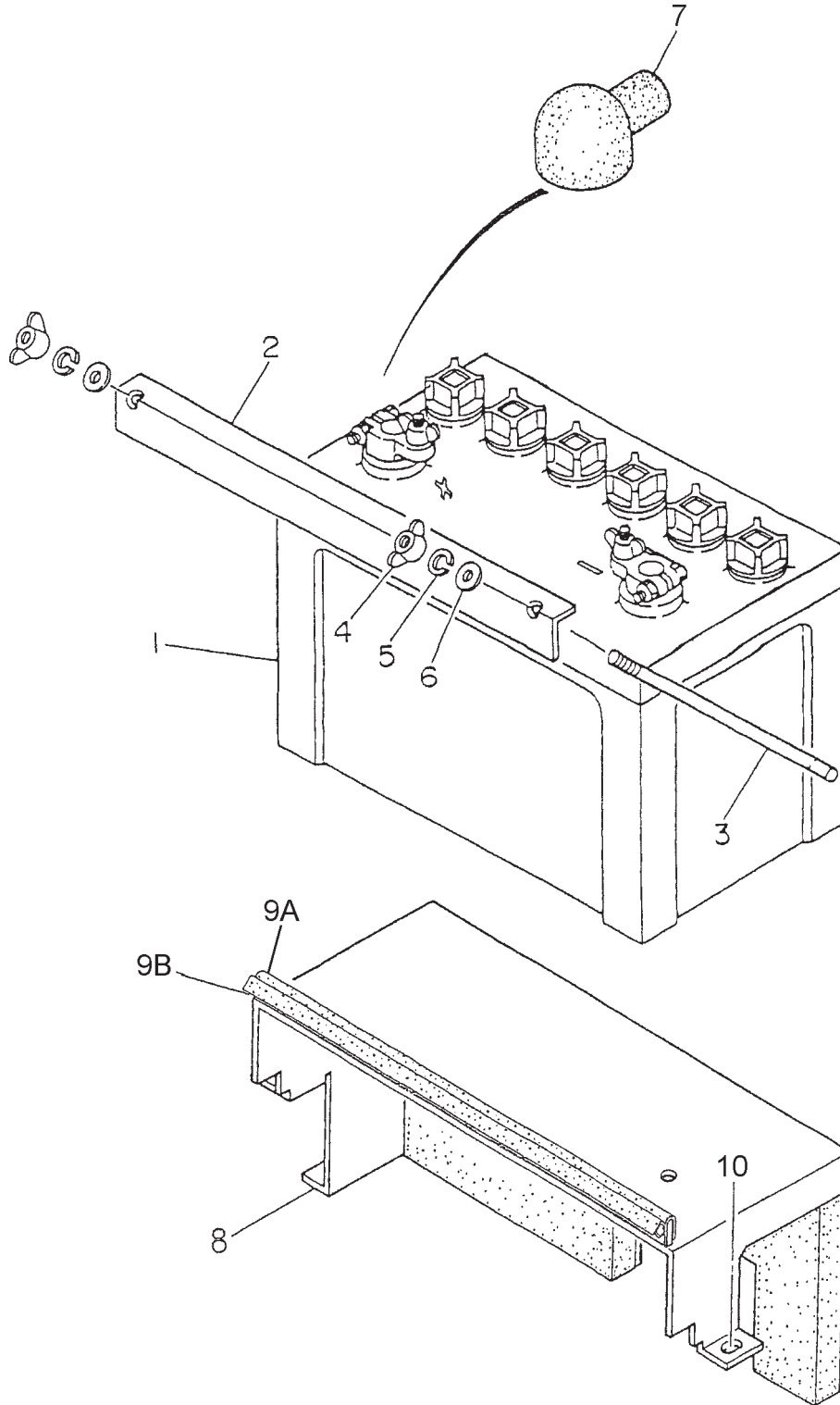
DCA10SPX4/DCA10SPXU4 — ENGINE AND RADIATOR ASSY.

ENGINE AND RADIATOR ASSY.

<u>NO.</u>	<u>PART NO.</u>	<u>PART NAME</u>	<u>QTY.</u>	<u>REMARKS</u>
39	0802081104	CAP, RESERVE TANK	1	
40	8702082004	BRACKET, RESERVE TANK	1	
41	0016906015	HEX HEAD BOLT	3	
42	0199900450	HOSE	1	
43	0605515094	HOSE BAND	2	
44	0199100215	HOSE	1	
45	B0304200504	ENGINE FOOT	1	
46	0605515136	HOSE BAND	2	
47	0012410025	HEX HEAD BOLT	1	
48	M9200106904	PLUG	1	
49	0605515117	HOSE BAND	1	
50	0150000016	O-RING	1	

DCA10SPX4 — BATTERY ASSY.

BATTERY ASSY. (DCA10SPX4 ONLY)



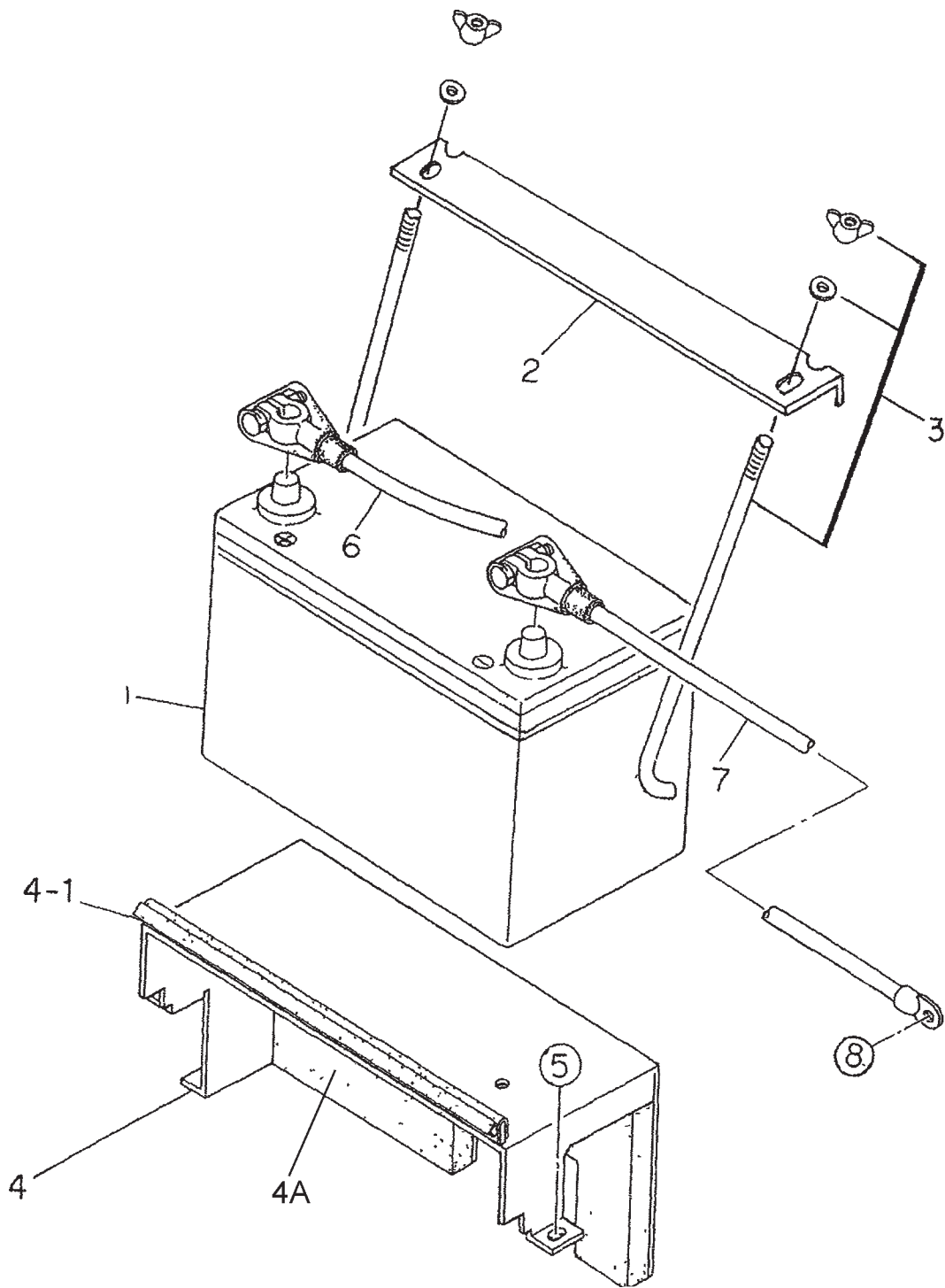
DCA10SPX4 — BATTERY ASSY.

BATTERY ASSY. (DCA10SPX4 ONLY)

<u>NO.</u>	<u>PART NO.</u>	<u>PART NAME</u>	<u>QTY.</u>	<u>REMARKS</u>
1	0165308026	BATTERY	1	
2	B1345200114	BATTERY BAND	1	
3	0805002904	BATTERY BOLT	2	
4	0037808000	WING NUT	2	
5	0040008000	WASHER, LOCK	2	
6	0041208000	WASHER, FLAT	2	
7	0845040414	TERMINAL CAP	1	
8	B1344200203	BATTERY FRAME	1	
8-1	B0491700004	LINING	1	
9A	0314200350	RUBBER SEAL	1	
9	0017108020	HEX HEAD BOLT	3	

DCA10SPXU4 — BATTERY ASSY.

BATTERY ASSY. (DCA10SPXU4 ONLY)



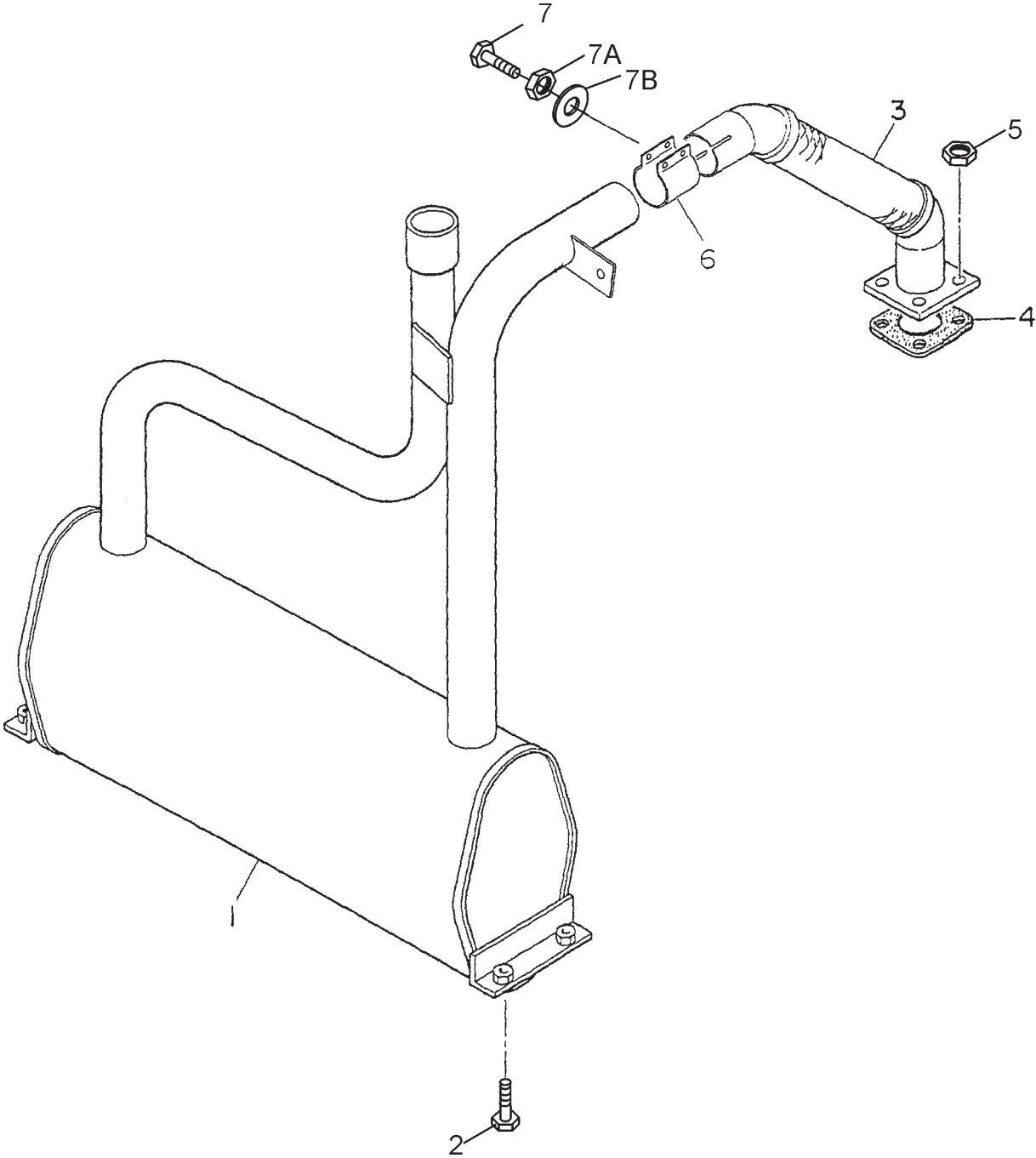
DCA10SPXU4 — BATTERY ASSY.

BATTERY ASSY. (DCA10SPXU4 ONLY)

<u>NO.</u>	<u>PART NO.</u>	<u>PART NAME</u>	<u>QTY.</u>	<u>REMARKS</u>
1	Y0602220193	BATTERY	1	
2	M0484600004	BATTERY BAND	1	
3	Y0602220920	BATTERY BOLT	2	
4	M0344000003	BATTERY BASE	1	
4A	M049000204	ACOUSTIC SHEET	1	
4-1	Y0314200350	RUBBER SEAL	1	
5	Y0017108020	HEX HEAD BOLT	3	
6	M0348200004	BATTERY CABLE	1	
7	M0347200004	BATTERY CABLE	1	
8	Y0012412025	HEX HEAD BOLT	1	
9	Y0040512000	TOOTHED WASHER	1	

DCA10SPX4/DCA10SPXU4 — MUFFLER ASSY.

MUFFLER ASSY.



DCA10SPX4/DCA10SPXU4 — MUFFLER ASSY.

MUFFLER ASSY.

<u>NO.</u>	<u>PART NO.</u>	<u>PART NAME</u>	<u>QTY.</u>	<u>REMARKS</u>
1	B0331100703	MUFFLER	1	
2	0017108020	HEX HEAD BOLT	4	
3	B0334000503	EXHAUST PIPE	1	
4	1526312371	GASKET	1	REPLACES P/N 0602320153
5	0207008000	HEX NUT	4	
6	0602325094	PIPE BAND	1	
7	0341510040	HEX HEAD BOLT	2	
7A	0042410000	WASHER, FLAT	2	
7B	0207110000	NUT	2	

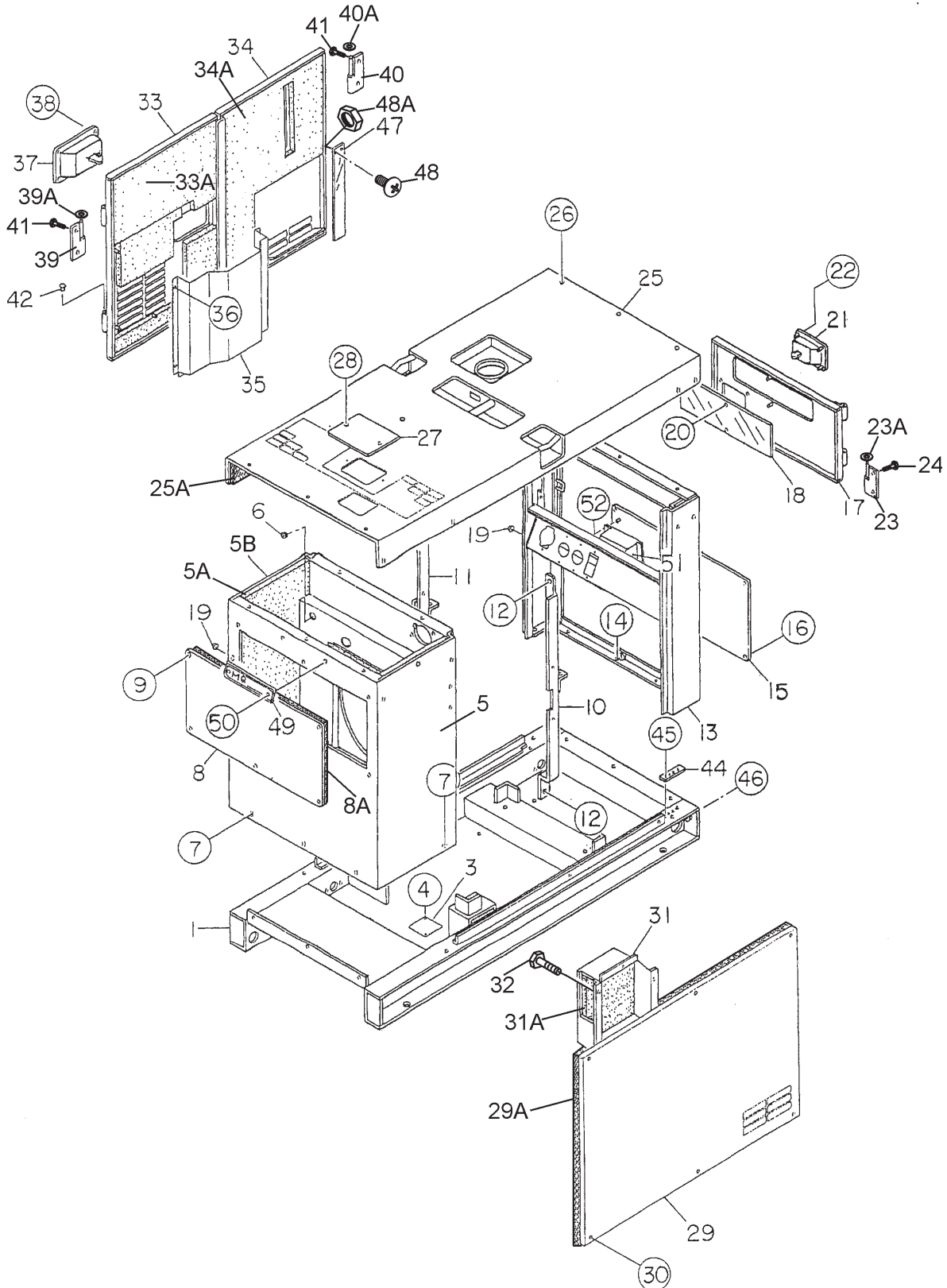
DCA10SPX4/DCA10SPXU4 — FUEL TANK ASSY.

FUEL TANK ASSY.

<u>NO.</u>	<u>PART NO.</u>	<u>PART NAME</u>	<u>QTY.</u>	<u>REMARKS</u>
1	B0364000703	FUEL TANK	1	
1-1	0810105800	CAP, FUEL TANK	1	
1-2	0810105900	FUEL FILTER	1	
2	B0364300403	BRACKET, FUEL TANK	1	
3	0017108020	HEX HEAD BOLT	4	
4	0222100300	TANK SHEET	2	
5	8435523024	TANK BAND	2	
6	6365300504	PAD, TANK BAND	4	
7	0017108020	HEX HEAD BOLT	2	
8	0037908000	HEX NUT	2	
9	7812014003	DRAIN JOINT	1	
10	0802011104	PLUG	1	
11	0150000018	O-RING	1	
12	0016906015	HEX HEAD BOLT	2	
13	0199901200	DRAIN HOSE	1	
14	0605515094	HOSE BAND	2	
15	1522143016	FUEL FILTER.....	1	REPLACES P/N 0602042462
15A	1522143172	ELEMENT, FUEL FILTER	1	REPLACES P/N 0602042551
17	0017108035	HEX HEAD BOLT	2	
19	0603325013	VALVE, 3/8	1	
20	0602022219	HOSE JOINT	1	
21	0199900200	SUCTION HOSE	1	
22	0199900260	SUCTION HOSE	1	
23	0199700250	RETURN HOSE	1	
24	0605515094	HOSE BAND	4	
25	0605515096	HOSE BAND	2	
26	B9312400004	RUBBER SEAL	1	
27	B9311400104	RUBBER SEAL	1	
28	B0484300004	BRACKET	1	
29	0017106015	HEX HEAD BOLT	2	
30	0220300160	RUBBER SEAL	1	

DCA10SPX4/DCA10SPXU4 — ENCLOSURE ASSY.

ENCLOSURE ASSY.



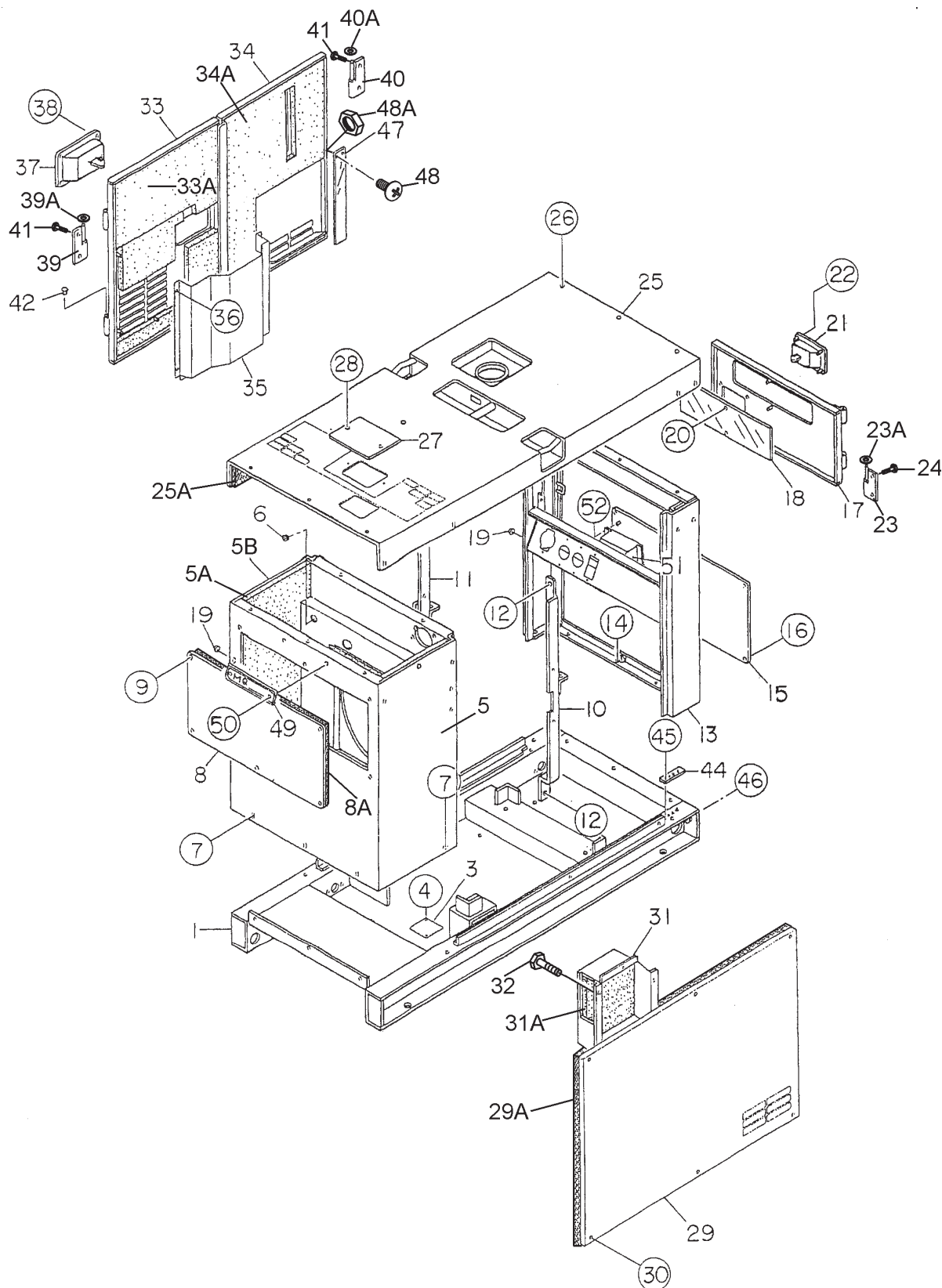
DCA10SPX4/DCA10SPXU4 — ENCLOSURE ASSY.

ENCLOSURE ASSY.

<u>NO.</u>	<u>PART NO.</u>	<u>PART NAME</u>	<u>QTY.</u>	<u>REMARKS</u>
1	B0414002202	BASE	1	DCA10SPX4
1	M0414000102	BASE	1	DCA10SPXU4
3	D3414800104	COVER	1	
3	M0414800004	COVER	1	
4	0016906015	HEX HEAD BOLT	2	
5	B0424001302	FRONT FRAME	1	DCA10SPX4
5	M0424000102	FRONT FRAME	1	DCA10SPXU4
5A	B0494100904	ACOUSTIC SHEET	1	DCA10SPX4
5A	M0494100504	ACOUSTIC SHEET	1	DCA10SPXU4
5B	0315900475	RUBBER SEAL	2	
6	0601850239	GROMMET	1	
7	0016908020	HEX HEAD BOLT	5	
8	8435125004	COVER, FRONT FRAME	1	DCA10SPX4
8	M0485400004	COVER, FRONT FRAME	1	DCA10SPXU4
8A	B0495100804	ACOUSTIC SHEET	1	DCA10SPX4
8A	M0495100104	ACOUSTIC SHEET	1	DCA10SPXU4
9	0016908020	HEX HEAD BOLT	6	
10	B0434300203	HANGER	1	DCA10SPX4
10	M0434300203	HANGER	1	DCA10SPXU4
11	B0434300703	HANGER	1	DCA10SPX4
11	B0434300303	HANGER	1	DCA10SPXU4
12	0012312030	HEX HEAD BOLT	4	
13	B0444003902	REAR FRAME	1	DCA10SPX4
13	M0444000102	REAR FRAME	1	DCA10SPXU4
14	0016908020	HEX HEAD BOLT	5	
15	B1454400404	COVER, REAR FRAME	1	DCA10SPX4
15	M0444300004	COVER, REAR FRAME	1	DCA10SPXU4
16	0016908020	HEX HEAD BOLT	6	
17	B0444200603	DOOR, REAR FRAME	1	DCA10SPX4
17	M0444200003	DOOR, REAR FRAME	1	DCA10SPXU4
18	B0445600304	WINDOW PLATE	1	
19	0601851613	STOPPER	2	
20	0207006000	HEX NUT	2	
21	0605010230	DOOR HANDLE	1	
22	0021805012	HEX NUT	4	
23	0805019004	HINGE	2	
23A	D9116000004	WASHER	2	
24	0016906016	HEX HEAD BOLT	4	

DCA10SPX4/DCA10SPXU4 — ENCLOSURE ASSY.

ENCLOSURE ASSY.



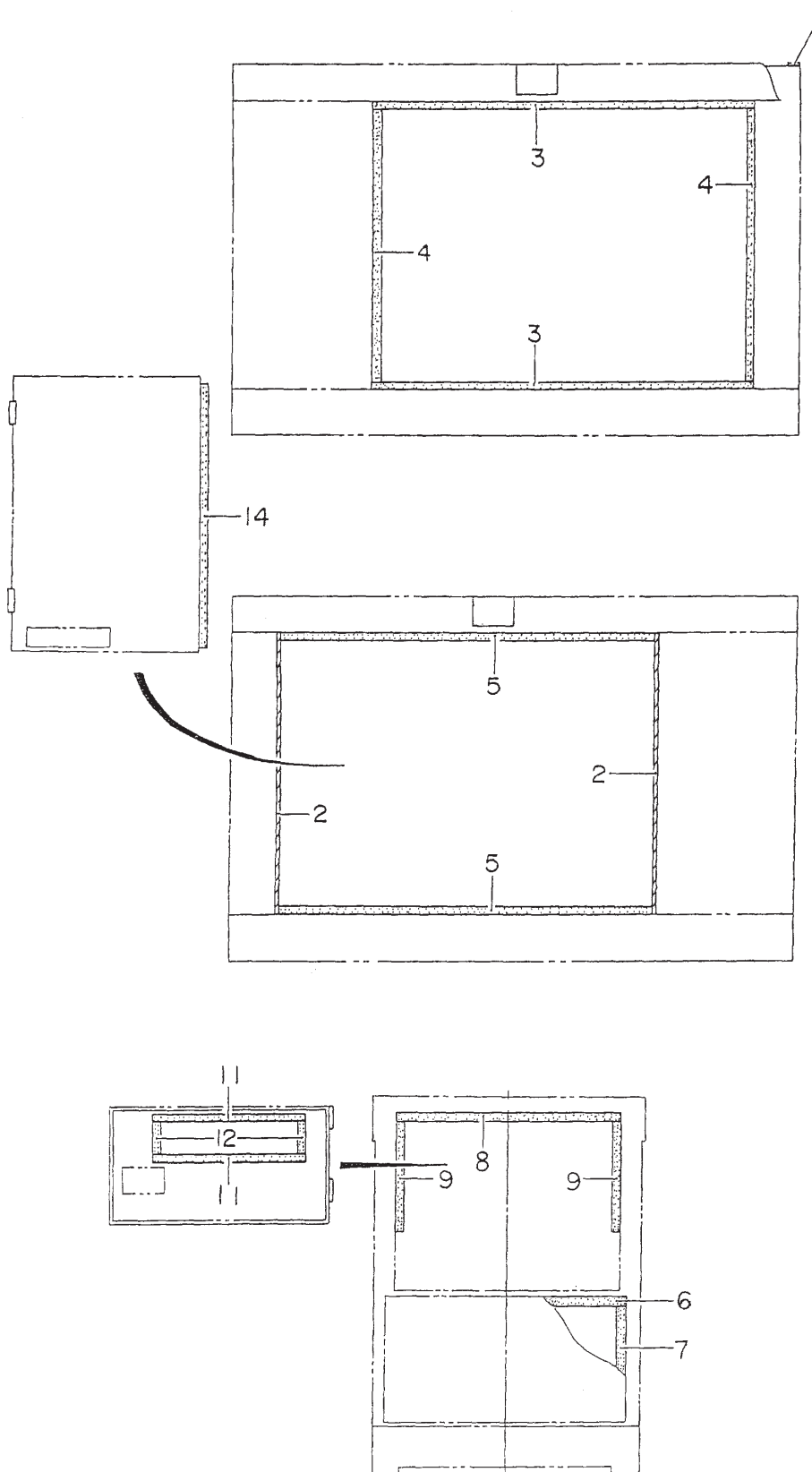
DCA10SPX4/DCA10SPXU4 — ENCLOSURE ASSY.

ENCLOSURE ASSY.

<u>NO.</u>	<u>PART NO.</u>	<u>PART NAME</u>	<u>QTY.</u>	<u>REMARKS</u>
25	B0464001002	ROOF PANEL	1	DCA10SPX4
25	M0464000102	ROOF PANEL	1	DCA10SPXU4
25A	B0494500104	ACOUSTIC SHEET	1	DCA10SPX4
25A	M0494500604	ACOUSTIC SHEET	1	DCA10SPXU4
26	0016908020	HEX HEAD BOLT	16	
27	8452023004	COVER	1	DCA10SPX4
27	M1465400104	COVER	1	DCA10SPXU4
28	0016908020	HEX HEAD BOLT	2	
29	B0454100503	SIDE PANEL	1	DCA10SPX4
29	M0454100103	SIDE PANEL	1	DCA10SPXU4
29A	B0494400414	LINING	1	
30	0016908035	HEX HEAD BOLT	6	
31	B0455300424	DUCT	1	
31A	B0495401014	LINING	1	
32	0207006000	HEX NUT	6	
33	B0454000903	SIDE DOOR.....	1	DCA10SPX4
33	M0454000203	SIDE DOOR.....	1	DCA10SPXU4
33A	B0494400504	ACOUSTIC SHEET	1	DCA10SPX4
33A	M0494401204	ACOUSTIC SHEET	1	DCA10SPXU4
34	B0454000803	SIDE DOOR.....	1	DCA10SPX4
34	M0454000303	SIDE DOOR.....	1	DCA10SPXU4
34A	B0494400604	ACOUSTIC SHEET	1	DCA10SPX4
34A	M0494401704	ACOUSTIC SHEET	1	DCA10SPXU4
35	B0454300404	DUCT	1	
36	0207006000	HEX NUT	5	
37	B9114000002	DOOR HANDLE	1	
38	0021806015	MACHINE SCREW	4	
39	0845047204	HINGE	2	
39A	0845045004	WASHER	2	
40	0845047104	HINGE	2	
40A	0845045004	WASHER	2	
41	0016908020	HEX HEAD BOLT	8	
42	0845031504	CAP	4	
44	B1262800004	PLATE	1	
45	0016906015	HEX HEAD BOLT	4	
46	0019208020	HEX HEAD BOLT	1	
47	B0444600104	WINDOW PLATE	1	
48	0027103010	MACHINE SCREW	4	
48A	0207003000	HEX NUT	4	
49	0600500090	EMBLEM	1	
50	0021106015	MACHINE SCREW	2	
51	B1454301004	DUCT	1	
52	0207006000	HEX NUT	4	

DCA10SPX4/DCA10SPXU4 — RUBBER SEALS ASSY.

RUBBER SEALS ASSY.



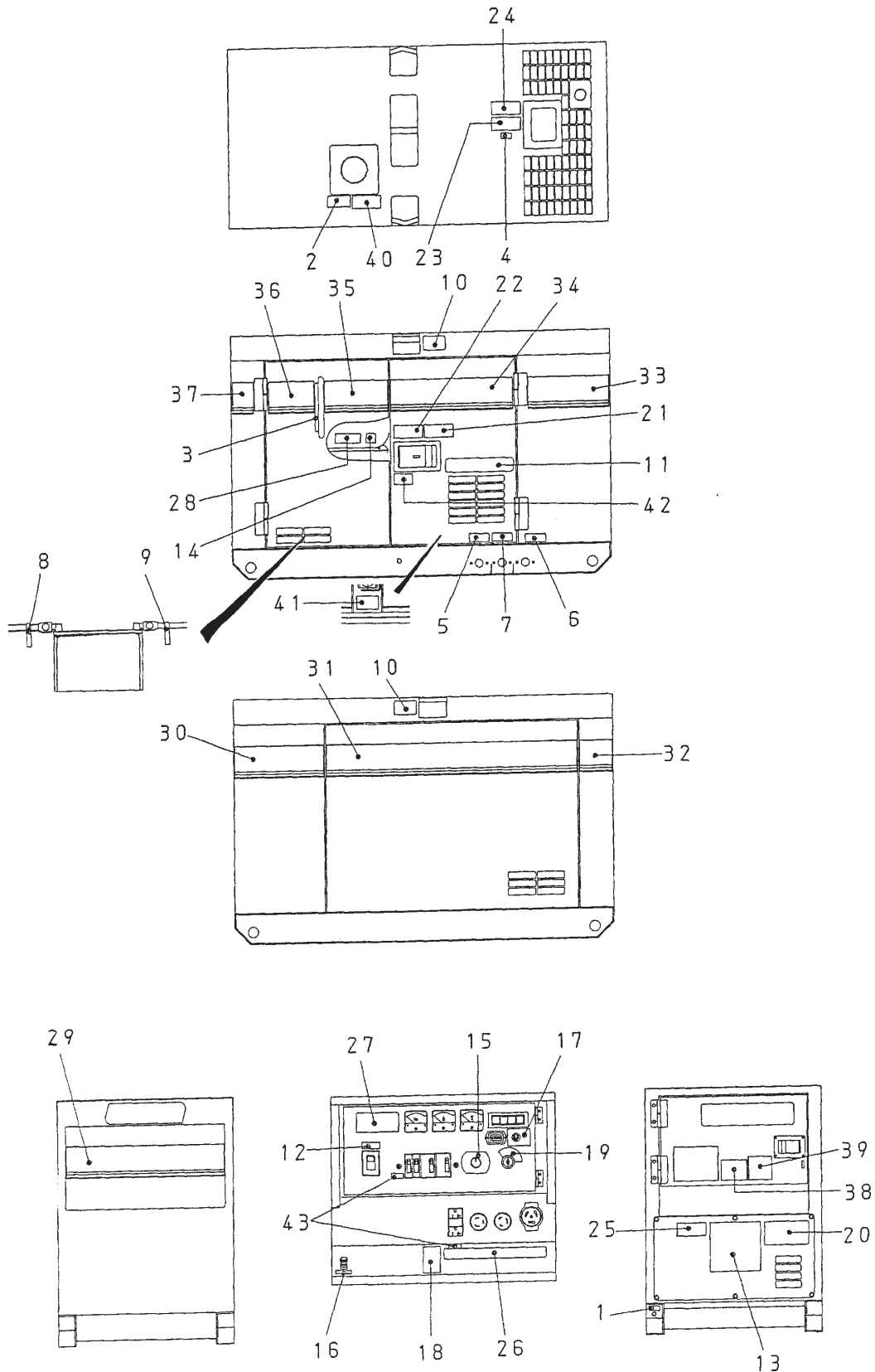
DCA10SPX4/DCA10SPXU4 — RUBBER SEALS ASSY.

RUBBER SEALS ASSY.

<u>NO.</u>	<u>PART NO.</u>	<u>PART NAME</u>	<u>QTY.</u>	<u>REMARKS</u>
1	0229200650	RUBBER SEAL	1	
2	0229400695	RUBBER SEAL	2	
3	0221700900	RUBBER SEAL	2	
4	0221700640	RUBBER SEAL	2	
5	0229400920	RUBBER SEAL	2	
6	0229200590	RUBBER SEAL	2	
7	0229200255	RUBBER SEAL	2	
8	0229400545	RUBBER SEAL	1	
9	0229400250	RUBBER SEAL	2	
11	0227500380	RUBBER SEAL	2	
12	0227500080	RUBBER SEAL	2	
14	0229400660	RUBBER SEAL	1	

DCA10SPX4/DCA10SPXU4 — NAMEPLATE ASSY.

NAMEPLATE ASSY.



DCA10SPX4/DCA10SPXU4 — NAMEPLATE ASSY.

NAMEPLATE ASSY.

<u>NO.</u>	<u>PART NO.</u>	<u>PART NAME</u>	<u>QTY.</u>	<u>REMARKS</u>
1	0840614104	DECAL : GROUND	1	S-2635
2	B9504501204	DECAL : DIESEL FUEL	1	B9045 0120
3	0800650804	DECAL : FUEL GAUGE	1	S-1765
4	6360610304	DECAL : WATER	1	S-1880
5	6360620004	DECAL : FUEL DRAIN PLUG	1	S-1883
6	6360620104	DECAL : WATER DRAIN PLUG	1	S-1884
7	6360620204	DECAL : OIL DRAIN PLUG	1	S-1885
8	0800689404	DECAL : +	1	S-2090
9	0800689504	DECAL : -	1	S-2091
10	1320621504	DECAL : SUPPORT HOOK	2	S-2257
11	1320610603	DECAL : WATER - OIL CHECK AND FILL DAILY	1	S-1760
12	0840624504	DECAL : CIRCUIT BREAKER	1	S-3031
13	0840625902	DECAL : MQ POWER	1	S-3057
14	1980680004	DECAL : FUEL COCK	1	S-3704
15	7670623004	DECAL : VOLTAGE REGULATOR	1	S-3737
16	7670624004	DECAL : GROUND FOR G.F.C.I.	1	S-3821
17	B0551001904	DECAL : SPEED CONTROL SWITCH	1	B05100190
18	7670650004	DECAL : DANGER HIGH VOLTAGE	1	S-3956
19	7560615004	DECAL : STARTER SWITCH	1	S-4547
20	B0551001803	DECAL : OPERATING PROCEDURE	1	B05100180
21	B9504000304	DECAL : CAUTION HOT PARTS	1	B90400030
22	B9504000404	DECAL : WARNING MOVING PARTS	1	B90400040
23	B9504100104	DECAL : WARNING HOT COOLANT	1	B90410010
24	B9504200004	DECAL : WARNING ENGINE EXHAUST	1	B90420000
25	B951110304	DECAL : WARNING	1	B91110030
26	B9521007403	DECAL : AC POWER OUTPUT	1	B92100740
27	B9531100604	DECAL : WARNING ELECTRIC SHOCK HAZARD	1	B93110060
28	0820650604	DECAL : POISON / DANGER	1	
29	7670633003	STRIPE : WHISPERWATT	1	S-5273
30	B0562100004	STRIPE : MQ POWER	1	
31	B0561100004	STRIPE	1	
32	B0561100104	STRIPE	1	
33	B0561100604	STRIPE	1	
34	B0561100504	STRIPE	1	
35	B0561100404	STRIPE	1	
36	B0561100304	STRIPE	1	
37	B0561100204	STRIPE	1	
38	A9504000014	DECAL : DANGER	1	A90400001
39	B9531100004	DECAL : GROUND	1	B93110000
40	B9504500004	DECAL : WARNING FIRE	1	B90450000
41	B9505000304	DECAL : CAUTION	1	B90500030
42	1630610504	DECAL : CAUTION DOOR	1	S-1409
43	D9522001004	DECAL : GFCI	2	D92200100

PAYMENT TERMS

Terms of payment for parts are net 10 days.

FREIGHT POLICY

All parts orders will be shipped collect or prepaid with the charges added to the invoice. All shipments are F.O.B. point of origin. Multiquip's responsibility ceases when a signed manifest has been obtained from the carrier, and any claim for shortage or damage must be settled between the consignee and the carrier.

MINIMUM ORDER

The minimum charge for orders from Multiquip is \$15.00 net. Customers will be asked for instructions regarding handling of orders not meeting this requirement.

RETURNED GOODS POLICY

Return shipments will be accepted and credit will be allowed, subject to the following provisions:

1. A Returned Material Authorization must be approved by Multiquip prior to shipment.
2. To obtain a Return Material Authorization, a list must be provided to Multiquip Parts Sales that defines item numbers, quantities, and descriptions of the items to be returned.
 - a. The parts numbers and descriptions must match the current parts price list.
 - b. The list must be typed or computer generated.
 - c. The list must state the reason(s) for the return.
 - d. The list must reference the sales order(s) or invoice(s) under which the items were originally purchased.
 - e. The list must include the name and phone number of the person requesting the RMA.
3. A copy of the Return Material Authorization must accompany the return shipment.
4. Freight is at the sender's expense. All

parts must be returned freight prepaid to Multiquip's designated receiving point.

5. Parts must be in new and resalable condition, in the original Multiquip package (if any), and with Multiquip part numbers clearly marked.
6. The following items are not returnable:
 - a. Obsolete parts. (If an item is in the price book and shows as being replaced by another item, it is obsolete.)
 - b. Any parts with a limited shelf life (such as gaskets, seals, "O" rings, and other rubber parts) that were purchased more than six months prior to the return date.
 - c. Any line item with an extended dealer net price of less than \$5.00.
 - d. Special order items.
 - e. Electrical components.
 - f. Paint, chemicals, and lubricants.
 - g. Decals and paper products.
 - h. Items purchased in kits.
7. The sender will be notified of any material received that is not acceptable.
8. Such material will be held for five working days from notification, pending instructions. If a reply is not received within five days, the material will be returned to the sender at his expense.
9. Credit on returned parts will be issued at dealer net price at time of the original purchase, less a 15% restocking charge.
10. In cases where an item is accepted, for which the original purchase document can not be determined, the price will be based on the list price that was effective twelve months prior to the RMA date.
11. Credit issued will be applied to future purchases only.

PRICING AND REBATES

Prices are subject to change without prior notice. Price changes are effective on a

specific date and all orders received on or after that date will be billed at the revised price. Rebates for price declines and added charges for price increases will not be made for stock on hand at the time of any price change.

Multiquip reserves the right to quote and sell direct to Government agencies, and to Original Equipment Manufacturer accounts who use our products as integral parts of their own products.

SPECIAL EXPEDITING SERVICE

A \$35.00 surcharge will be added to the invoice for special handling including bus shipments, insured parcel post or in cases where Multiquip must personally deliver the parts to the carrier.

LIMITATIONS OF SELLER'S LIABILITY

Multiquip shall not be liable here under for damages in excess of the purchase price of the item with respect to which damages are claimed, and in no event shall Multiquip be liable for loss of profit or good will or for any other special, consequential or incidental damages.

LIMITATION OF WARRANTIES

No warranties, express or implied, are made in connection with the sale of parts or trade accessories nor as to any engine not manufactured by Multiquip. Such warranties made in connection with the sale of new, complete units are made exclusively by a statement of warranty packaged with such units, and Multiquip neither assumes nor authorizes any person to assume for it any other obligation or liability whatever in connection with the sale of its products. Apart from such written statement of warranty, there are no warranties, express, implied or statutory, which extend beyond the description of the products on the face hereof.

OPERATION AND PARTS MANUAL

HERE'S HOW TO GET HELP

PLEASE HAVE THE MODEL AND SERIAL
NUMBER *ON-HAND* WHEN CALLING

MQ Power

1800 Water Ridge Rd. Tel. (800) 883-2551
Suite 500/600 Fax (972) 315-1847
Lewisville, TX 75057
Contact: mqpower@multiquip.com
Web: www.mqpower.com

MQ Parts Department

800-427-1244 Fax: 800-672-7877
310-537-3700 Fax: 310-637-3284

Service/Tech Support/Warranty

800-835-2551 Fax: 310-638-8046

© COPYRIGHT 2009, MULTIQIP INC.

MQ Power and the MQ Power logo are registered trademarks of Multiquip Inc. and may not be used, reproduced, or altered without written permission. All other trademarks are the property of their respective owners and used with permission.

This manual **MUST** accompany the equipment at all times. This manual is considered a permanent part of the equipment and should remain with the unit if resold.

The information and specifications included in this publication were in effect at the time of approval for printing. Illustrations, descriptions, references and technical data contained in this manual are for guidance only and may not be considered as binding. Multiquip Inc. reserves the right to discontinue or change specifications, design or the information published in this publication at any time without notice and without incurring any obligations.

Your Local Dealer is:

Manufactured for
Multiquip Inc.

by

DENYO CO., LTD, JAPAN



Free Manuals Download Website

<http://myh66.com>

<http://usermanuals.us>

<http://www.somanuals.com>

<http://www.4manuals.cc>

<http://www.manual-lib.com>

<http://www.404manual.com>

<http://www.luxmanual.com>

<http://aubethermostatmanual.com>

Golf course search by state

<http://golfingnear.com>

Email search by domain

<http://emailbydomain.com>

Auto manuals search

<http://auto.somanuals.com>

TV manuals search

<http://tv.somanuals.com>