

# OPERATION AND PARTS MANUAL



## **MODEL GAC-6HZR PORTABLE GENERATOR (HONDA GX340 GASOLINE ENGINE)**

Revision #1 (03/31/10)

To find the latest revision of this  
publication, visit our website at:  
[www.multiquip.com](http://www.multiquip.com)



**THIS MANUAL MUST ACCOMPANY THE EQUIPMENT AT ALL TIMES.**

# TABLE OF CONTENTS

## GAC6HZR Portable 60 Hz Generator

Table Of Contents .....	3
Safety Information .....	4-8
Specifications (Generator).....	12
Specifications (Engine).....	11
Dimensions.....	12
Installation .....	14-15
General Information.....	16
Components (Generator).....	17-18
Inspection/Setup.....	19-20
Operation.....	22-23
Operation/Shutdown.....	23
Preparation For Long Term Storage .....	24
Maintenance.....	25-26
Generator Wiring Diagram .....	27
Troubleshooting (Engine).....	28-29
Troubleshooting (Generator).....	30
Explanation Of Code In Remarks Column .....	32
Suggested Spare Parts .....	33

## Component Drawings

Nameplate and Decals Assembly.....	34-35
Generator Assembly .....	36-37
Control Box Assembly .....	38-39
Muffler Assembly .....	40-41
Pipe Frame Assembly.....	42-43

## Honda GX340K1EDN2/ GX340U1EDN2 Engines

Air Cleaner Assembly .....	44-45
Camshaft Assembly.....	46-47
Carburetor Assembly.....	48-51
Control Assembly .....	52-53
Crankcase Cover Assembly .....	54-55
Crankshaft Assembly.....	56-57
Cylinder Barrel Assembly .....	58-59
Cylinder Head Assembly .....	60-61
Fan Assembly .....	62-63
Flywheel Assembly.....	64-65
Ignition Coil Assembly.....	66-67
Piston Assembly .....	68-69
Recoil Starter Assembly .....	70-71
Solenoid Assembly .....	72-73
Fuel Cock Assembly .....	74-75
Engine Decals Assembly .....	76-77
Tool Kit.....	78-79
Terms And Conditions Of Sale — Parts .....	80

### NOTICE

Specifications and part numbers are subject to change without notice.

# PARTS ORDERING PROCEDURES

## Ordering parts has never been easier! Choose from three easy options:

Effective:  
January 1<sup>st</sup>, 2006

www.multiquip.com



### Order via Internet (Dealers Only):

Order parts on-line using Multiquip's SmartEquip website!

- View Parts Diagrams
- Order Parts
- Print Specification Information



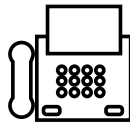
If you have an MQ Account, to obtain a Username and Password, E-mail us at: [parts@multiquip.com](mailto:parts@multiquip.com).

To obtain an MQ Account, contact your District Sales Manager for more information.

Goto [www.multiquip.com](http://www.multiquip.com) and click on **Order Parts** to log in and save!

Use the **internet** and qualify for a **5% Discount** on *Standard orders* for all orders which include complete part numbers.\*

Note: Discounts Are Subject To Change



### Order via Fax (Dealers Only):

All customers are welcome to order parts via Fax.

**Domestic (US) Customers dial:**  
1-800-6-PARTS-7 (800-672-7877)

**Fax** your order in and qualify for a **2% Discount** on *Standard orders* for all orders which include complete part numbers.\*

Note: Discounts Are Subject To Change



**Order via Phone: Domestic (US) Dealers Call:**  
1-800-427-1244

### Non-Dealer Customers:

Contact your local Multiquip Dealer for parts or call 800-427-1244 for help in locating a dealer near you.



**International Customers** should contact their local Multiquip Representatives for Parts Ordering information.

## When ordering parts, please supply:

- |   |  |
|---|--|
| <input type="checkbox"/> Dealer Account Number                                | <input type="checkbox"/> Specify Preferred Method of Shipment:                         |
| <input type="checkbox"/> Dealer Name and Address                              | <input checked="" type="checkbox"/> UPS/Fed Ex <input checked="" type="checkbox"/> DHL |
| <input type="checkbox"/> Shipping Address (if different than billing address) | <input type="checkbox"/> Priority One <input checked="" type="checkbox"/> Truck        |
| <input type="checkbox"/> Return Fax Number                                    | <input type="checkbox"/> Ground  |
| <input type="checkbox"/> Applicable Model Number                              | <input type="checkbox"/> Next Day  |
| <input type="checkbox"/> Quantity, Part Number and Description of Each Part   | <input type="checkbox"/> Second/Third Day  |

### NOTICE

All orders are treated as *Standard Orders* and will ship the same day if received prior to 3PM PST.

WE ACCEPT ALL MAJOR CREDIT CARDS!




# SAFETY INFORMATION

Do not operate or service the equipment before reading the entire manual. Safety precautions should be followed at all times when operating this equipment. Failure to read and understand the safety messages and operating instructions could result in injury to yourself and others.


## SAFETY MESSAGES

The four safety messages shown below will inform you about potential hazards that could injure you or others. The safety messages specifically address the level of exposure to the operator and are preceded by one of four words: **DANGER**, **WARNING**, **CAUTION** or **NOTICE**.


## SAFETY SYMBOLS

 **DANGER**

Indicates a hazardous situation which, if not avoided, **WILL** result in **DEATH** or **SERIOUS INJURY**.

 **WARNING**

Indicates a hazardous situation which, if not avoided, **COULD** result in **DEATH** or **SERIOUS INJURY**.






 **CAUTION**

Indicates a hazardous situation which, if not avoided, **COULD** result in **MINOR** or **MODERATE INJURY**.

**NOTICE**

Addresses practices not related to personal injury.

Potential hazards associated with the operation of this equipment will be referenced with hazard symbols which may appear throughout this manual in conjunction with safety messages.

Symbol	Safety Hazard
	Lethal exhaust gas hazards
	Explosive fuel hazards
	Burn hazards
	Overspeed hazards
	Electric shock hazards


# SAFETY INFORMATION

## GENERAL SAFETY

### CAUTION

- **NEVER** operate this equipment without proper protective clothing, shatterproof glasses, respiratory protection, hearing protection, steel-toed boots and other protective devices required by the job or city and state regulations.



- **NEVER** operate this equipment when not feeling well due to fatigue, illness or when under medication. 
- **NEVER** operate this equipment under the influence of drugs or alcohol.



- **ALWAYS** check the equipment for loosened threads or bolts before starting.
- **DO NOT** use the equipment for any purpose other than its intended purposes or applications.

### NOTICE

- This equipment should only be operated by trained and qualified personnel 18 years of age and older.
- Whenever necessary, replace nameplate, operation and safety decals when they become difficult read.
- Manufacturer does not assume responsibility for any accident due to equipment modifications. Unauthorized equipment modification will void all warranties.

- **NEVER** use accessories or attachments that are not recommended by Multiquip for this equipment. Damage to the equipment and/or injury to user may result.

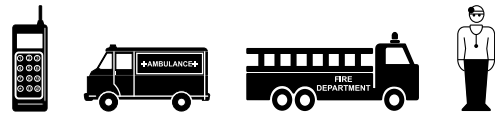
- **ALWAYS** know the location of the nearest **fire extinguisher**.



- **ALWAYS** know the location of the nearest **first aid kit**.



- **ALWAYS** know the location of the nearest phone or **keep a phone on the job site**. Also, know the phone numbers of the nearest **ambulance, doctor and fire department**. This information will be invaluable in the case of an emergency.



## GENERATOR SAFETY

### DANGER

- **NEVER** operate the equipment in an explosive atmosphere or near combustible materials. An explosion or fire could result causing severe **bodily harm or even death**.



### WARNING

- **NEVER** disconnect any **emergency or safety devices**. These devices are intended for operator safety. Disconnection of these devices can cause severe injury, bodily harm or even death. Disconnection of any of these devices will void all warranties.

### CAUTION

- **NEVER** lubricate components or attempt service on a running machine.

### NOTICE

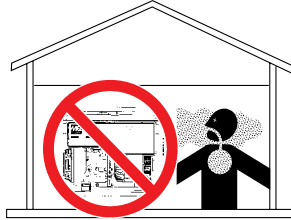
- **ALWAYS** ensure generator is on level ground before use.
- **ALWAYS** keep the machine in proper running condition.
- Fix damage to machine and replace any broken parts immediately.
- **ALWAYS** store equipment properly when it is not being used. Equipment should be stored in a clean, dry location out of the reach of children and unauthorized personnel

# SAFETY INFORMATION

## ENGINE SAFETY

### DANGER

- The engine fuel exhaust gases contain poisonous carbon monoxide. This gas is colorless and odorless, and can cause death if inhaled.
- The engine of this equipment requires an adequate free flow of cooling air. **NEVER** operate this equipment in any enclosed or narrow area where free flow of the air is restricted. If the air flow is restricted it will cause injury to people and property and serious damage to the equipment or engine.



### WARNING

- **NEVER** operate the engine with heat shields or guards removed.
- **DO NOT** remove the engine oil drain plug while the engine is hot. Hot oil will gush out of the engine crankcase and severely scald any persons in the general area of the generator.

### CAUTION

- **NEVER** touch the hot exhaust manifold, muffler or cylinder. Allow these parts to cool before servicing equipment.



### NOTICE

- **NEVER** run engine without an air filter or with a dirty air filter. Severe engine damage may occur. Service air filter frequently to prevent engine malfunction.
- **NEVER** tamper with the factory settings of the engine or engine governor. Damage to the engine or equipment can result if operating in speed ranges above the maximum allowable.
- State Health Safety Codes and Public Resources Codes specify that in certain locations, spark arresters must be used on internal combustion engines that use hydrocarbon fuels. A spark arrester is a device designed

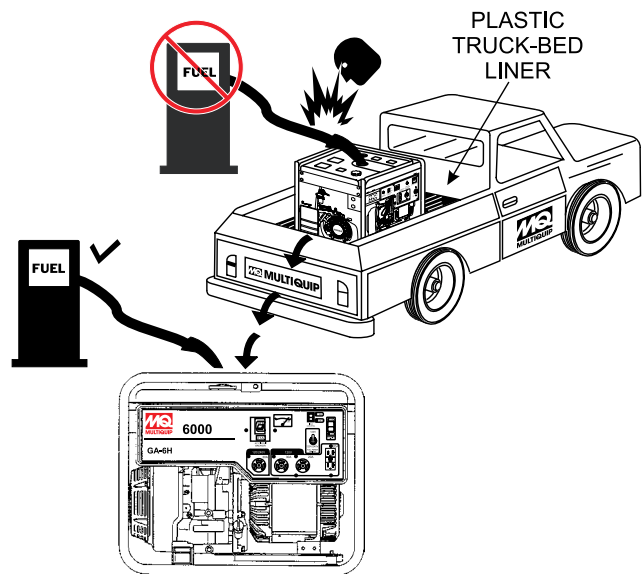


to prevent accidental discharge of sparks or flames from the engine exhaust. Spark arresters are qualified and rated by the United States Forest Service for this purpose. In order to comply with local laws regarding spark arresters, consult the engine distributor or the local Health and Safety Administrator.

## FUEL SAFETY

### DANGER

- **DO NOT** add fuel to equipment if it is placed inside truck bed with plastic liner. Possibility exists of explosion or fire due to static electricity.



- **DO NOT** start the engine near spilled fuel or combustible fluids. Diesel fuel is extremely flammable and its vapors can cause an explosion if ignited.
- **ALWAYS** refuel in a well-ventilated area, away from sparks and open flames.
- **ALWAYS** use extreme caution when working with **flammable** liquids.
- **DO NOT** fill the fuel tank while the engine is running or hot.
- **DO NOT** overfill tank, since spilled fuel could ignite if it comes into contact with hot engine parts or sparks from the ignition system.
- Store fuel in appropriate containers, in well-ventilated areas and away from sparks and flames.

# SAFETY INFORMATION

- **NEVER** use fuel as a cleaning agent.
- **DO NOT** smoke around or near the equipment. Fire or explosion could result from fuel vapors or if fuel is spilled on a hot engine.



## ELECTRICAL SAFETY

### DANGER

- Turn generator and all circuit breakers **OFF** before performing maintenance on the generator or making contact with output receptacles.

- **NEVER** insert any objects into the output receptacles during operation. This is extremely dangerous. The possibility exists of **electrical shock, electrocution or death.**



- Backfeed to a utility system can cause **electrocution** and/or property damage. **NEVER** connect the generator to a building's electrical system without a transfer switch or other approved device. All installations should be performed by a **licensed electrician** in accordance with all applicable laws and electrical codes. Failure to do so could result in electrical shock or burn, causing **serious injury or even death.**



## Power Cord/Cable Safety

### DANGER

- **NEVER** let power cords or cables **lay in water.**
- **NEVER** stand in **water** while AC power from the generator is being transferred to a load.
- **NEVER** use **damaged** or **worn** cables or cords when connecting equipment to generator. Inspect for cuts in the insulation.
- **NEVER** grab or touch a live power cord or cable with wet hands. The possibility exists of **electrical shock, electrocution or death.**



- Make sure power cables are securely connected to the generator's output receptacles. Incorrect connections may cause electrical shock and damage to the generator.

### NOTICE

- **ALWAYS** make certain that proper power or extension cord has been selected for the job. See Cable Selection Chart in this manual.

## Grounding Safety

### DANGER

- **ALWAYS** make sure that electrical circuits are properly grounded to a suitable earth ground (ground rod) per the National Electrical Code (NEC) and local codes before operating generator. **Severe injury or death by electrocution** can result from operating an ungrounded generator.

- **NEVER** use gas piping as an electrical ground.

## BATTERY SAFETY (ELECTRIC START ONLY)

### DANGER

- **DO NOT** drop the battery. There is a possibility that the battery will explode.
- **DO NOT** expose the battery to open flames, sparks, cigarettes, etc. The battery contains combustible gases and liquids. If these gases and liquids come into contact with a flame or spark, an explosion could occur.
- **DO NOT** charge battery if frozen. Battery can explode. When frozen, warm the battery to at least 61°F (16°C).



### WARNING

- **ALWAYS** wear safety glasses when handling the battery to avoid eye irritation. The battery contains acids that can cause injury to the eyes and skin.
- Use well-insulated gloves when picking up the battery.
- **ALWAYS** keep the battery charged. If the battery is not charged, combustible gas will build up.
- **ALWAYS** recharge the battery in a well-ventilated environment to avoid the risk of a dangerous concentration of combustible gasses.





# SAFETY INFORMATION

- If the battery liquid (dilute sulfuric acid) comes into contact with **clothing or skin**, rinse skin or clothing immediately with plenty of water.
- If the battery liquid (dilute sulfuric acid) comes into contact with **eyes**, rinse eyes immediately with plenty of water and contact the nearest doctor or hospital to seek medical attention.

## ⚠ CAUTION

- **ALWAYS** disconnect the **NEGATIVE battery terminal** before performing service on the generator.
- **ALWAYS** keep battery cables in good working condition. Repair or replace all worn cables.

## TRANSPORTING SAFETY

## ⚠ CAUTION

- **NEVER** allow any person or animal to stand underneath the equipment while lifting.

## NOTICE

- Before lifting, make sure that the equipment parts (lifting bail if equipped) are not damaged and screws are not loose or missing.
- Always make sure crane or lifting device has been properly secured to the lifting bail (hook) of the equipment.
- **ALWAYS** shutdown engine before transporting.
- **NEVER** lift the equipment while the engine is running.
- Tighten fuel tank cap securely and close fuel cock to prevent fuel from spilling.
- Use adequate lifting cable (wire or rope) of sufficient strength.
- Use one point suspension hook and lift straight upwards.
- **DO NOT** lift machine to unnecessary heights.
- **ALWAYS** tie down equipment during transport by securing the equipment with rope.

## ENVIRONMENTAL SAFETY

### NOTICE

- Dispose of hazardous waste properly. Examples of potentially hazardous waste are used motor oil, fuel and fuel filters.
- **DO NOT** use food or plastic containers to dispose of hazardous waste.
- **DO NOT** pour waste, oil or fuel directly onto the ground, down a drain or into any water source.







# SPECIFICATIONS (GENERATOR)

Table 1. Specifications (Generator)		
<b>AC Generator</b>	Model	GAC6HZR
	Type	Brushless Revolving Field Type
	Excitation	Solid State, Statically Excited System
	Speed	3,600 RPM
	Cooling System	Self-Ventilation
	Fuel Capacity	5 gallons (19 liters)
<b>60 Hz AC Power Source</b>	Continuous Power Output	5.0 kW
	Max Power Output	6.0 kW
	Rated Voltage	120/240V
	Current Max/Continuous (120V)	50.0/41.6 amps
	Current Max/Continuous (240V)	25.0/20.8 amps
	Phase	Single Phase (4 wire)
	Frequency	60 Hz
	Power Factor	1
<b>Dimensions (L x W x H)</b>	25.6 x 22.6 X 21.3 in. (650 X 560 X 540 mm)	
<b>Dry Net Weight</b>	201 lbs. (91 kg.)	
<b>Weight (With Fuel)</b>	227 lbs. (103 kg.)	

### NOTICE

In keeping with Multiquip's policy of constantly improving its products, the specifications quoted herein are subject to change without prior notice.

## SPECIFICATIONS (ENGINE)

Table 2. Specifications (Engine)		
<b>Engine</b>	<b>Model</b>	<b>HONDA GX340K1/U1EDN2 HONDA GX340U1EDN2</b>
	Type	Air-cooled 4 stroke, Single Cylinder, OHV, Horizontal Shaft Gasoline Engine
	Bore X Stroke	2.90 in. X 2.30 in. (73 mm x 58 mm.)
	Displacement	23.70 cu-in (389 cm <sup>3</sup> )
	Max Output	11.0 H.P./3600 R.P.M.
	Fuel	Unleaded Automobile Gasoline
	Lube Oil Capacity	1.16 quarts (1.1 liters)
	Oil Alert System	Yes
	Speed Control Method	Centrifugal Fly-weight Type
	Starting Method	Recoil Start
<b>Dimensions (L x W x H)</b>		15.0 x 17.7 X 17.4 in. (380 X 450 X 443 mm)
<b>Dry Net Weight</b>		68.4 lbs. (31 kg.)

### Effects of Altitude and Heat

The maximum output of the engines listed above are applicable to supplying electrical power for continuous service at ambient conditions in accordance with SAE Test cord J607. The above ambient conditions are at standard sea level, with a barometric reading of 29.92 inches and a temperature of 60° F (15.5° C).

Generally, the engine's output power will decrease 3-1/2% for each 1000 feet (305 meters) of altitude above sea level, and 1% for each 10° F (-12.2° C) above the standard temperature of 60° F (15.5° C).

# DIMENSIONS

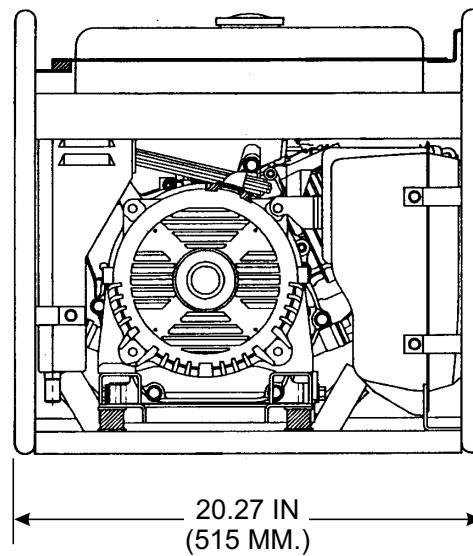
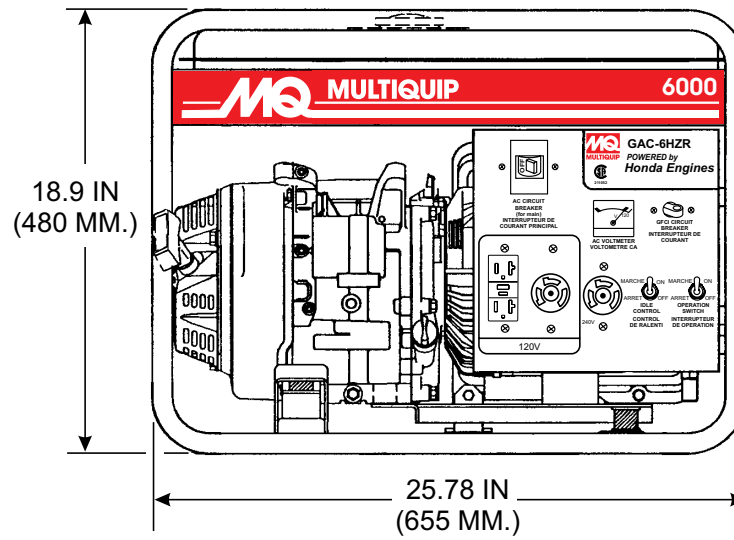


Figure 1. Dimensions



## CONNECTING THE GROUND

The nut and ground terminal on the generator should always be used to connect the generator to a suitable ground. The ground cable should be #8 size wire minimum.

At the generator, connect the terminal of the ground cable between the lock washer and the nut (Figure 2) and tighten the nut fully. Connect the other end of the ground cable to a suitable earth ground (ground rod).

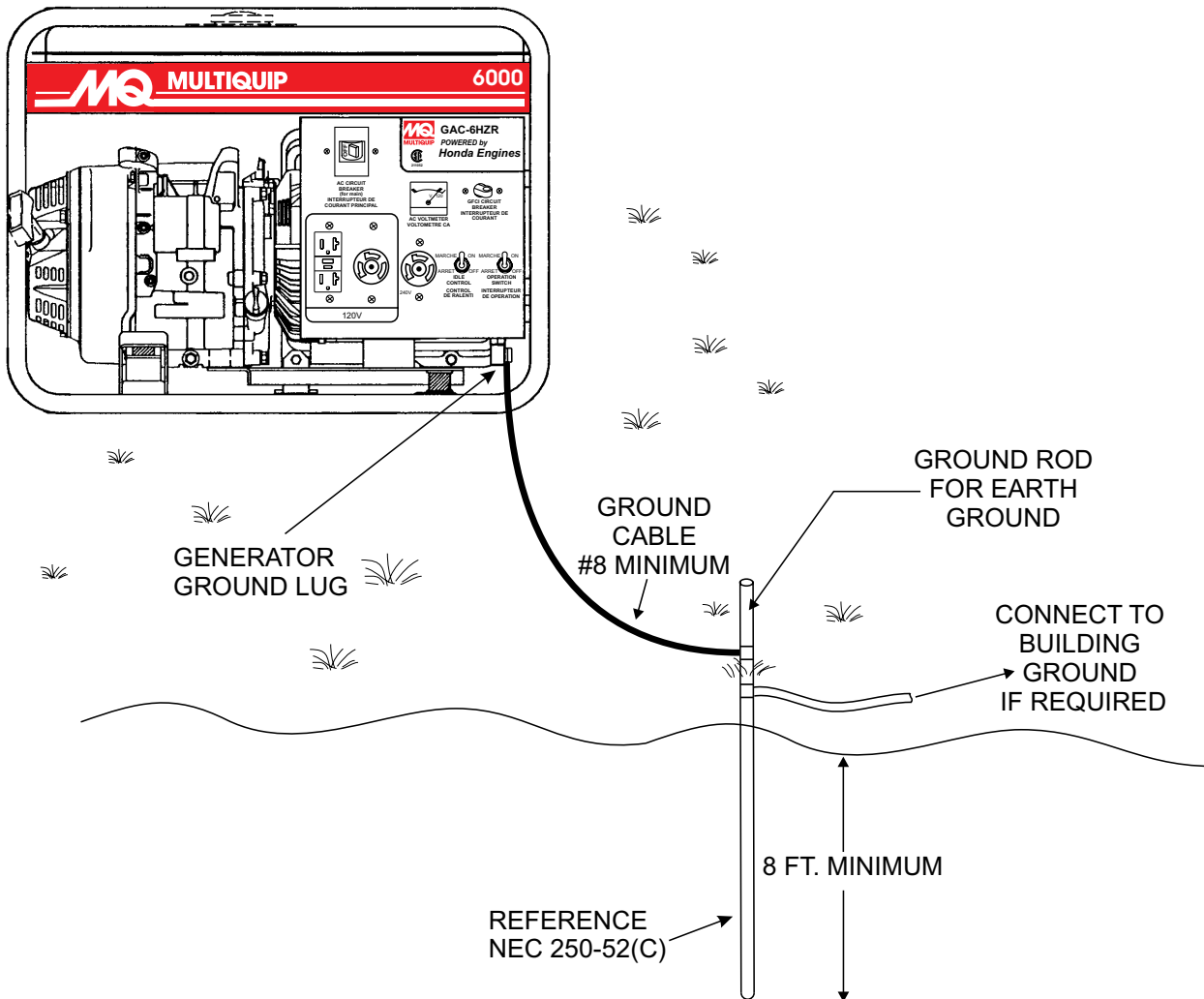



Figure 2. Generator Grounding


## OUTDOOR INSTALLATION

If possible install the generator in a area that is free of debris, bystanders, and overhead obstructions. Make sure the generator is on secure level ground so that it cannot slide or shift around.

The installation site must be relatively free from moisture and dust. All electrical equipment should be protected from excessive moisture. Failure to do will result in deterioration of the insulation and will result in short circuits and grounding.

Foreign materials such as dust, sand, lint and abrasive materials have a tendency to cause excessive wear to engine and alternator parts.

 **WARNING**


 Pay close attention to ventilation when operating the generator inside tunnels and caves. The engine exhaust contains noxious elements. Engine exhaust must be routed to a ventilated area


## INDOOR INSTALLATION

Exhaust gases from gas engines are extremely poisonous. Whenever an engine is installed indoors the exhaust fumes must be vented to the outside. The engine should be installed at least two feet from any outside wall. Using an exhaust pipe which is too long or too small can cause excessive back pressure which will cause the engine to heat excessively and possibly burn the valves.

## PLACEMENT

The generator should always be placed on a flat level surface when it is running. **DO NOT** place the generator on slopes, the possibility exists that the generator could slide.

 **DANGER**

 An electric shock is apt to happen when vibrators are used. Pay close attention to handling when operating vibrators and always use rubber boots and gloves to insulate the body from a short circuit.

## GENERATOR GROUNDING

To guard against electrical shock and possible damage to the equipment, it is important to provide a good **EARTH** ground.

Article 250 (Grounding) of the National Electrical Code (NEC) provides guide lines for proper grounding and specifies that the cable ground shall be connected to the grounding system of the building as close to the point of cable entry as practical.

NEC articles 250-64(b) and 250-66 set the following grounding requirements:

1. Use one of the following wire types to connect the generator to earth ground.
  - a. Copper - 10 AWG (5.3 mm<sup>2</sup>) or larger.
  - b. Aluminum - 8 AWG (8.4 mm<sup>2</sup>) or larger.
2. When grounding the generator (Figure 2) connect the ground cable between the lock washer and the nut on the generator and tighten the nut fully. Connect the other end of the ground cable to earth ground.
3. NEC article 250-52(c) specifies that the earth ground rod should be buried a minimum of 8 ft. into the ground.

**NOTICE**

When connecting the generator to any buildings electrical system **ALWAYS** consult with a licensed electrician.



## FAMILIARIZATION

### Generator

The Multiquip GAC6HZR generator is designed as a portable dual purpose power source for 60 Hz (single phase) lighting facilities, power tools, submersible pumps and other industrial and construction machinery.

The generator is mounted on rubber vibration isolators that have a steel base backplate which is attached to the protective steel pipe carrying frame. The protective carrying frame is made of steel tubing and fully wraps around the generator to protect against damage. See Figures 3, and 4 for the basic controls and indicators for the GAC6HZR generator.

This portable generator is supplied with a electrical control box. To reduce vibration caused by the engine, the control box is also placed on rubber isolators.

### Control Box

The control box is provided with the following:

- 120V twist-lock output receptacle (single phase).
- 240V twist-lock receptacle (single phase).
- 120V GFCI single phase duplex output receptacle.
- 20 Amp Main Circuit Breaker.
- 15 Amp GFCI Circuit Breaker
- AC Voltmeter
- Ground Terminal
- Idle Control Switch
- Operation Switch

### DANGER

Before connecting this generator to any building's electrical system, a licensed electrician must install an isolation (transfer) switch.

Serious injury or death may result without this transfer switch.

# COMPONENTS (GENERATOR)

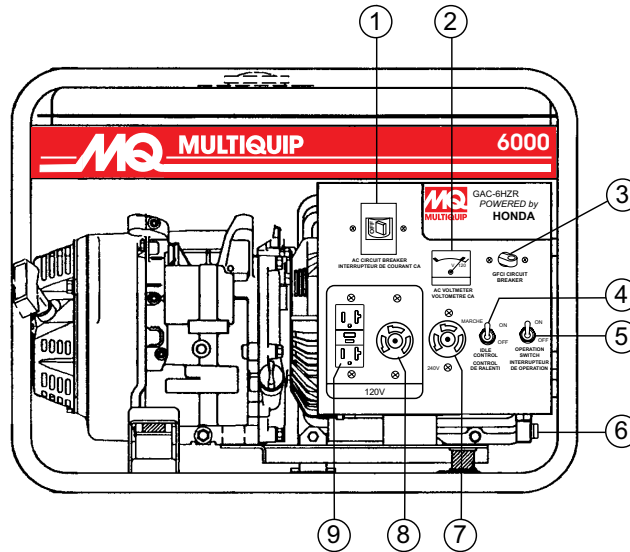


Figure 3. Generator Components

1. **Main Breaker** – This 2-pole circuit breaker (120/240V, 21 amps) protects the generator from short circuiting or overloading. When starting the generator always have the circuit breaker placed in the "OFF" position.
2. **AC-Voltmeter** – This voltmeter indicates (with a mark) the rated 60 Hz (single-phase) output voltage. In addition the voltmeter can also be used as a diagnostic tool. If the voltmeter indicator (needle) is below the rated voltage, engine problems may exist (low/high RPM's). To prevent damage to the generator or power tools turn the generator **OFF** and consult your authorized Multiquip service dealer.
3. **GFCI Breaker** – This single pole circuit breaker (120V, 15 amps) protects the GFCI receptacle. When starting the generator always have the circuit breaker placed in the "OFF" position.
4. **Idle Control Switch** – The generator is provided with an automatic idle control device for noise suppression and reduced fuel consumption.
5. **Operation Switch** – Place switch in the "ON" position (up) for normal operation. To turn-off the generator, place the operation switch in the "OFF" position (down).
6. **Ground** – This ground connection point should be connect to a good earth ground (ground rod).
7. **240V Output Receptacle** – NEMA L6-20R twist-lock receptacle will provide 240V, 20 amps, 60 Hz.
8. **120V Output Receptacle** – NEMA L5-30R twist-lock receptacle will provide 120V, 30 amps, 60 Hz.
9. **GFCI Duplex Receptacle** – NEMA 5-15R, GFCI receptacle will provide 120V, 15 amps.

The automatic idle control automatically engages under a no-load condition. With the automatic idle control switched "ON", the engine revolutions will automatically drop to about 2600 rpm (low-speed operation) within 3 seconds after the load stops. When the operation is resumed, the engine speed is automatically increased to about 3600 rpm (high-speed operation) as soon as the load is connected.

## COMPONENTS (GENERATOR)

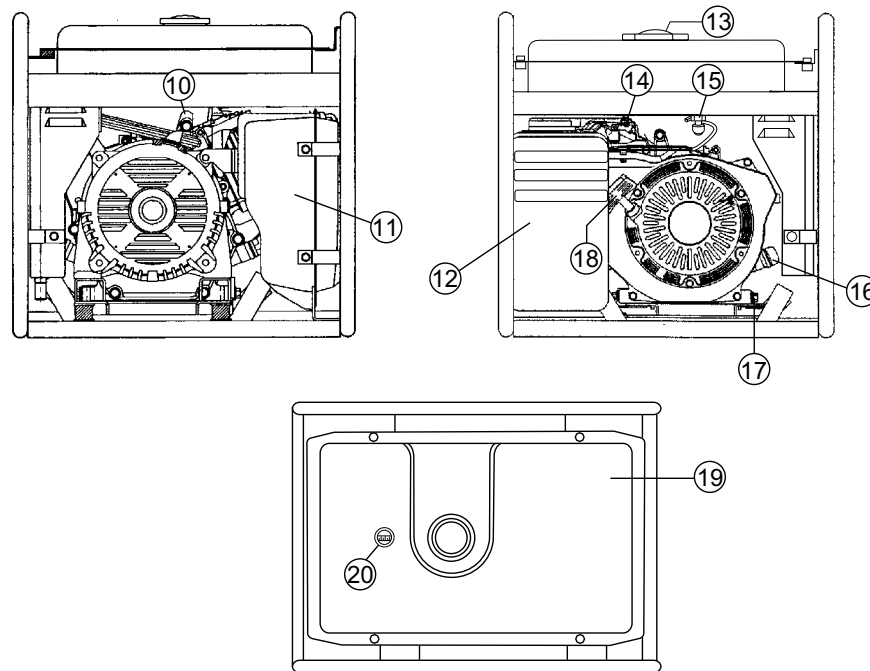


Figure 4. Generator Components (continued)

10. **Spark Plug** – Provides spark to the ignition system. Set spark plug gap to 0.6 - 0.7 mm (0.028 - 0.031 inch) Clean spark plug once a week.
11. **Muffler/Heat Shield** – Used to reduce noise and emissions. **NEVER** touch this heat shield when the generator/welder is in use. Always allow time for engine to cool before servicing.
12. **Air Cleaner** – Prevents dirt and other debris from entering the fuel system. Remove wing-nut on top of air filter cannister to gain access to filter element. **NEVER** run the engine without an air cleaner.
13. **Fuel Tank Cap** – Remove this cap to add unleaded gasoline to the fuel tank. Replenish with clean unleaded gasoline. Make sure cap is tightened securely. **DO NOT** over fill
14. **Choke Lever** – Used for starting the engine. Close the choke lever when starting a cold engine or in cold weather conditions. The choke enriches the fuel mixture. Open the choke lever if starting a warm engine or in warm weather conditions
15. **Fuel Cock Lever** – Turn this lever downward to start (down)the flow of fuel into the carburetor. Turn upward to stop (up) the flow of fuel.
16. **Engine Oil Filler Cap** – Remove this cap/dipstick when the adding of engine oil is required. See Table 4 for recommended type engine oil.
17. **Engine Oil Drain Plug** – Remove this drain plug when draining of the oil from the engine crankcase is required. Fill with recommended type oil as listed in Table 4.
18. **Recoil Starter (pull rope)** – Manual-starting method. Pull the starter grip until resistance is felt, then pull briskly and smoothly.
19. **Fuel Gauge** – This gauge is located on top of the fuel tank. Read this gauge to determine when fuel is low.
20. **Fuel Tank** – Fuel tank capacity is 5 gallons (19 liters)

### NOTICE

This **HONDA** engine is equipped with a low oil shutdown capability. A built in sensor will automatically turn off the engine should the oil level fall below a safe operating condition. Make sure the generators is placed on level ground. Placing the generators on level ground will ensure that the low oil sensor will function properly.

## GENERAL INSPECTION PRIOR TO OPERATION

### Ground Power Tools

When using power tools or electrical equipment requiring AC power from the generator, make sure power tool cord has a ground pin or is double insulated as shown in Figure 5.

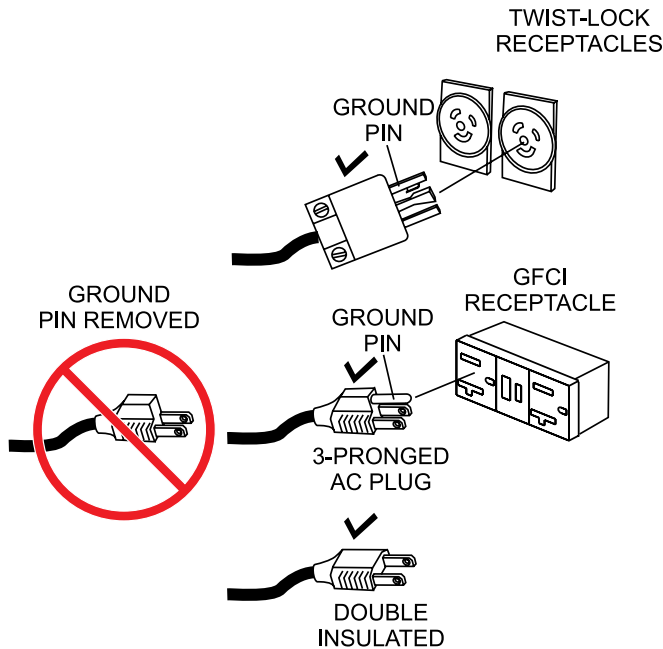


Figure 5. Ground Pin

### NOTICE

Double-insulated power tools and small appliances have specially insulated housings that eliminate the need for a ground pin. These types of double-insulated power cords are designed so that no part of the device will be electrically live even if the internal insulation fails.

### Extension Cable

When electric power is to be provided to various tools or loads at some distance from the generator, extension cords are normally used. Cables should be sized to allow for distance in length and amperage so that the voltage drop between the generator and point of use (load) is held to a minimum. Use the cable selection chart (Table 3) as a guide for selecting proper cable size.

### ! DANGER

**NEVER** use power tools or equipment that do not have a ground capability, the possibility exists of electrocution, electrical shock or burn, which can cause severe bodily harm or even **DEATH!**

### Main/GFCI Circuit Breakers

**ALWAYS** place the main and GFCI circuit breakers in the **OFF** position prior to starting the engine.

Table 3. Cable Selection (60 Hz, Single Phase Operation)

Current In Amperes	Load In Watts		Maximum Allowable Cable Length			
	120 Volts	240 Volts	#10 Wire	#12 Wire	#14 Wire	#16 Wire
2.5	300	600	1000 ft.	600 ft.	375 ft.	250 ft.
5	600	1200	500 ft.	300 ft.	200 ft.	125 ft.
7.5	900	1800	350 ft.	200 ft.	125 ft.	100 ft.
10	1200	2400	250 ft.	150 ft.	100 ft.	
15	1800	3600	150 ft.	100 ft.	65 ft.	
20	2400	4800	125 ft.	75 ft.	50 ft.	

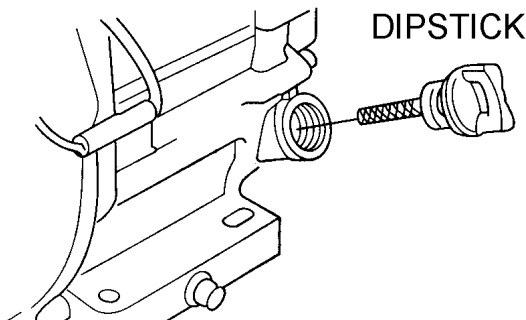
**CAUTION:** Equipment damage can result from low voltage.

## Before Starting

1. Read safety instructions at the beginning of manual.
2. Clean the generator, removing dirt and dust, particularly the engine cooling air inlet, carburetor and air cleaner.
3. Check the air filter for dirt and dust. If air filter is dirty, replace air filter with a new one as required.
4. Check carburetor for external dirt and dust. Clean with dry compressed air.
5. Check fastening nuts and bolts for tightness

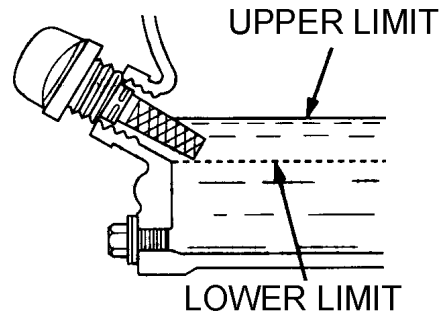
## Engine Oil Check

1. To check the engine oil level, place the generator on secure level ground with the engine stopped.
2. Remove the filler dipstick from the engine oil filler hole (Figure 6) and wipe clean.



**Figure 6. Engine Oil Dipstick Removal**

3. Insert and remove the dipstick without screwing it into the filler neck. Check the oil level shown on the dipstick.
4. If the oil level is low (Figure 7), fill to the edge of the oil filler hole with the recommended oil type (Table 4). Maximum oil capacity is 1.16 quarts (1.1 liters).



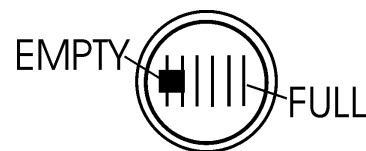
**Figure 7. Engine Oil Dipstick(Oil Level)**

**Table 4. Oil Type**

Season	Temperature	Oil Type
Summer	25°C or Higher	SAE 10W-30
Spring/Fall	25°C~10°C	SAE 10W-30/20
Winter	0°C or Lower	SAE 10W-10

## Fuel Check

1. Close the fuel cock before filling the fuel tank.
2. Remove the fuel cap located on top of fuel tank.
3. Read the fuel gauge located on top of the fuel tank (Figure 8) to determine if the fuel level is low. If fuel is low, replenish with clean unleaded fuel.



**Figure 8. Fuel Gauge**

4. When refueling, be sure to use a strainer for filtration. **DO NOT** top-off fuel. **DO NOT** fill the tank beyond capacity. Wipe up any spilled fuel **immediately!**

This section is intended to assist the operator with the initial start-up of the portable generator. It is extremely important that this section be read carefully before attempting to use the generator in the field.

## Before Starting the Engine

1. Be sure to disconnect all electrical loads from the generator prior to starting the engine.
2. **NEVER** start the engine with the main circuit breaker in the **ON** position. Always place circuit breaker (Figure 9) in the **OFF** position before starting.

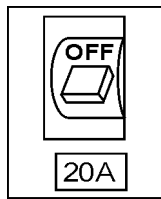


Figure 9. Main Circuit Breaker (OFF)

3. **NEVER** start the engine with the GFCI circuit breaker in the **ON** position. Always place GFCI circuit breaker (Figure 10) in the **OFF** position before starting.

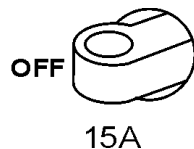


Figure 10. GFCI Circuit Breaker (OFF)

## Starting the Engine

1. Place the engine fuel valve lever (Figure 11) in the **ON** position.

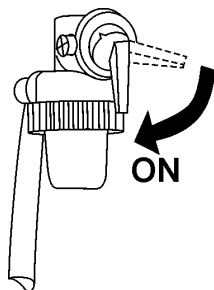


Figure 11. Engine Fuel Valve Lever (ON)

2. Place the choke lever (Figure 12) in the **CLOSED** position if starting a cold engine.

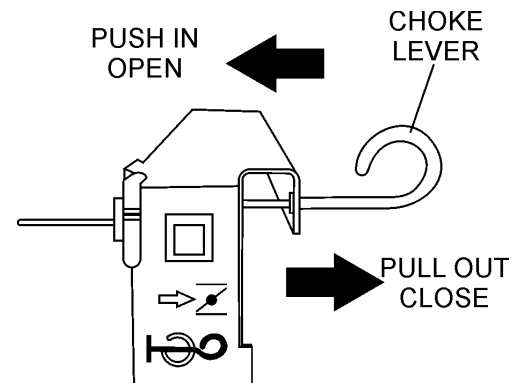


Figure 12. Choke Lever

3. Place the choke lever (Figure 12) in the **OPEN** position if starting a warm engine or the temperature is warm.
4. Place the generator's operation switch (Figure 13) in the **ON** position.

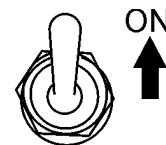


Figure 13. Operation Switch (ON)

5. Grasp the starter grip (Figure 14) and slowly pull it out. The resistance becomes the hardest at a certain position, corresponding to the compression point. Pull the starter grip briskly and smoothly for starting.

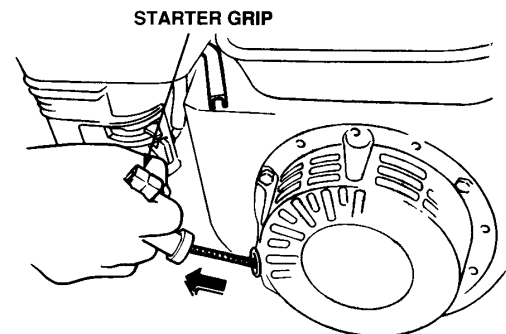


Figure 14. Starter Grip

### NOTICE

**DO NOT** pull the starter rope all the way to the end.

**DO NOT** release the starter rope after pulling. Allow it to rewind as soon as possible..

## OPERATION

- If the engine has started, slowly return the choke lever (Figure 12) to the **OPEN** position. If the engine has not started repeat steps 1 through 5.
- Before the generator is placed into operation, run the engine for 3-5 minutes. Check for abnormal smells, fuel leaks, and noises that would associate with lose components.
- Place idle control switch (Figure 15) in the **OFF** (down) position. This will allow the engine speed to run at about 3600 RPM's.

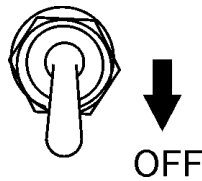


Figure 15. Idle Control Switch (OFF)

### NOTICE

Placing the idle control switch in the **OFF** position (Figure 15) allows the engine to operate at a maximum speed of about 3600 RPM's.

When the idle control switch (Figure 16) is placed in the up position (**ON**), the generator will run at idle speed (2200 RPM's) until a load is applied, at that time the engine speed will increase to 3600 RPM's as long as a load is being applied.

When the load is not in use, the engine speed will drop back to the idle mode after about 3 seconds.

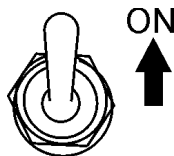


Figure 16. Idle Control switch (ON)

- Place main circuit breaker (Figure 19) in the **ON** position.

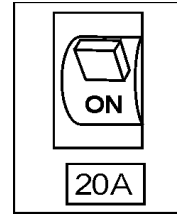


Figure 17. Main Circuit Breaker (ON)

- Place GFCI circuit breaker (Figure 19) in the **ON** position.

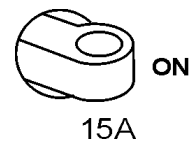


Figure 18. GFCI Circuit Breaker (ON)

- Read voltmeter on front panel of generator (Figure 19) and verify that 120 VAC is displayed. Using an external voltmeter as shown in Figure 19, verify that 120 VAC is present at the 120V twist-lock and GFCI duplex receptacles. .

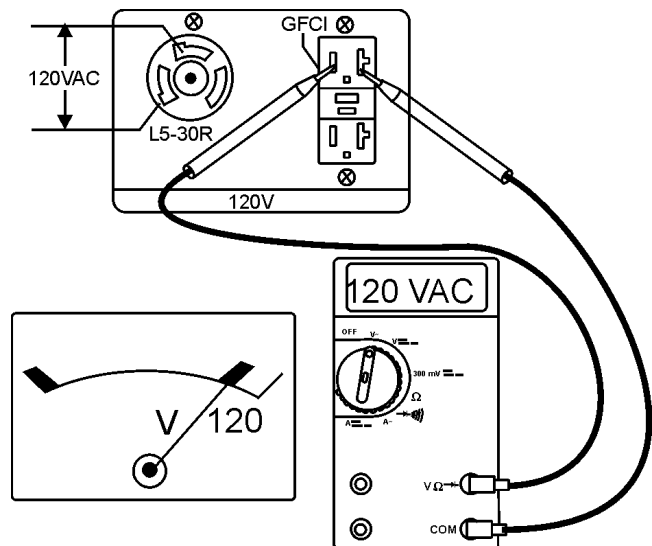


Figure 19. 120V/GFCI Receptacles



## OPERATION/SHUTDOWN

12. Read voltmeter on front panel of generator (Figure 20) and verify that 240 VAC is displayed. Using an external voltmeter as shown in Figure 20, verify that 240 VAC is present at the 240V twist-lock receptacle.

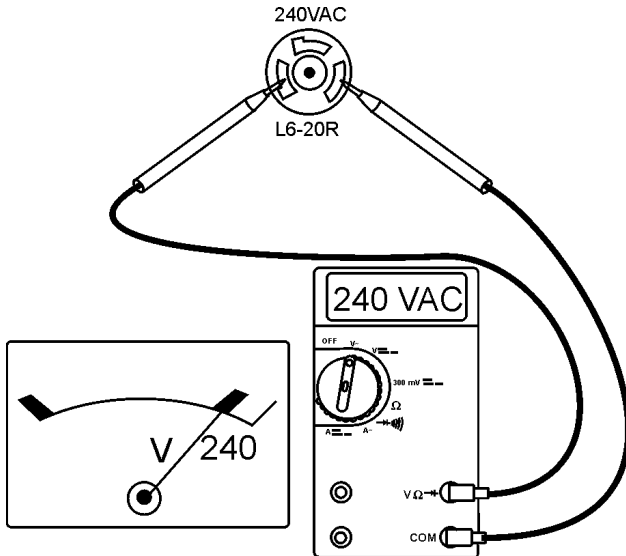


Figure 20. 240V Receptacle

### NOTICE

When using a combination of dual receptacles, total load should not exceed the rated capacity of the generator.

13. Connecting of loads (power tools, lighting ect.) to the generator receptacles can now be done.

### Stopping the Engine (Normal Shutdown)

1. Place main circuit breaker (Figure 21) in the **OFF** position.

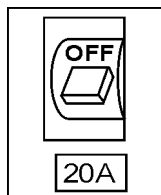


Figure 21. Main Circuit Breaker (OFF)

2. Place GFCI circuit breaker (Figure 22) in the **OFF** position.

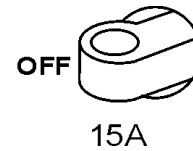


Figure 22. GFCI Circuit Breaker (OFF)

3. Place idle control switch (Figure 23) in the **OFF** position.



Figure 23. Idle Control switch (OFF)

4. Let engine run at idle with no load for 2-3 minutes.
5. To shut-down the engine, place the generator's operation switch (Figure 24) in the **OFF** position.

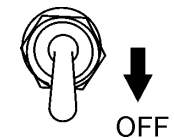


Figure 24. Operation Switch (OFF)

6. Place engine fuel valve lever (Figure 25) in the **OFF** position.

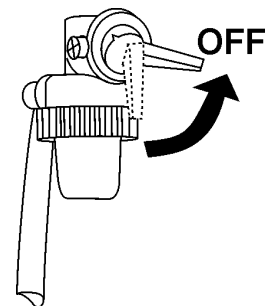


Figure 25. Engine Fuel Valve Lever (OFF)

7. Remove all loads from the generator.

### Emergency Shutdown

8. Place operation switch (Figure 24) in the **OFF** position

# PREPARATION FOR LONG TERM STORAGE

---

## Generator Storage

For storage of the generating set for over 30 days, the following is required:

- Drain the fuel tank completely, or add STA-BIL to the fuel.
- Run the engine until the gasoline in the carburetor is completely consumed.
- Completely drain the oil from the crankcase and refill with fresh oil.
- Remove the spark plug, pour 2 or 3 cc of SAE 30 oil into the cylinder and crank slowly to distribute the oil.
- Slowly rotate the engine a few times with the starter rope and install a new plug.
- Pull out the starter rope slowly and stop at the compression point.
- Clean all external parts of the generating set with a cloth.
- Cover the generating set and store in a clean, dry place.

# MAINTENANCE

Use Table 5 as a general maintenance guideline when servicing your engine. For more detail engine maintenance information, refer to the engine owner's manual supplied with your engine.

Table 5. Engine Maintenance Schedule							
DESCRIPTION (3)	OPERATION	BEFORE	FIRST MONTH OR 10 HRS.	EVERY 3 MONTHS OR 25 HRS.	EVERY 6 MONTHS OR 50 HRS.	EVERY YEAR OR 100 HRS.	EVERY 2 YEARS OR 200 HRS.
Engine Oil	CHECK	X					
	CHANGE						
Air Cleaner	CHECK	X	X				
	CHANGE			X (1)			
All Nuts & Bolts	RETIGHTEN IF NECESSARY	X					
Spark Plug	CHANGE				X		
	REPLACE						X
Cooling Fins	CHECK				X		
Spark Arrester	CLEAN					X	
Fuel Tank	CLEAN					X	
Fuel Filter	CHECK					X	
Idle Speed	CHECK-ADJUST					X (2)	
Valve Clearance	CHECK-ADJUST						X (2)
Fuel lines	CHECK	Every 2 years, replace if necessary (2)					

(1) Service more frequently when used in **DUSTY** areas.

(2) These items should be serviced by your service dealer, unless you have the proper tools and are mechanically proficient. Refer to the HONDA Shop Manual for service procedures.

(3) For commercial use, log hours of operation to determine proper maintenance intervals.

## Maintenance

Perform the scheduled maintenance procedures as defined by Table 5 and below:

### Daily

- Thoroughly remove dirt and oil from the engine and control area. Clean or replace the air cleaner elements as necessary. Check and retighten all fasteners as necessary.

### Weekly

- Remove the fuel filter cap and clean the inside of the fuel tank.
- Remove or clean the filter at the bottom of the tank.
- Remove and clean the spark plug (Figure 26), then adjust the spark gap to 0.024 ~0.028 inch (0.6~0.7 mm). This unit has electronic ignition, which requires no adjustments.

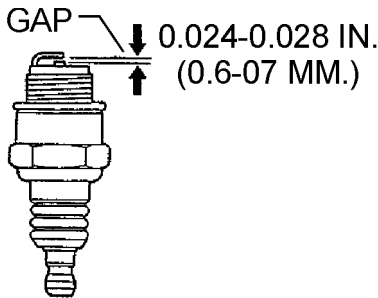


Figure 26. Spark Plug Gap

### Engine Oil

- Drain the engine oil when the oil is warm as shown in Figure 27.
- Remove the oil drain bolt and sealing washer and allow the oil to drain into a suitable container.
- Replace engine oil with recommended type oil as listed in Table 4. For engine oil capacity, see Table 2 (engine specifications). **DO NOT** overfill.

- Install drain bolt with sealing washer and tighten securely.

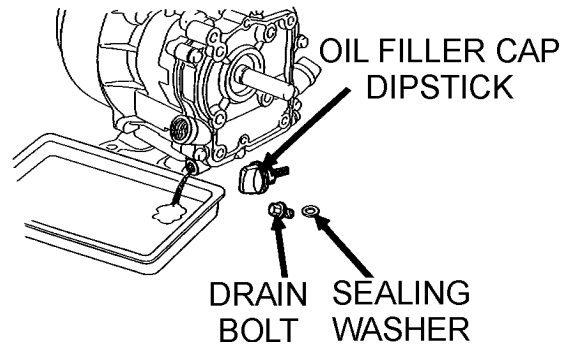


Figure 27. Draining Engine Oil

### Engine Air Cleaner

#### **! DANGER**



**DO NOT** use gasoline as a cleaning solvent, the possibility exists of fire or explosion which can cause damage to the equipment and severe bodily harm or even **DEATH!**

- Remove the air cleaner cover and foam filter element as shown in Figure 28.
- Clean foam element in warm, soapy water or nonflammable solvent. Rinse and dry thoroughly. Dip the element in clean engine oil and completely squeeze out the excess oil from the element before installing.

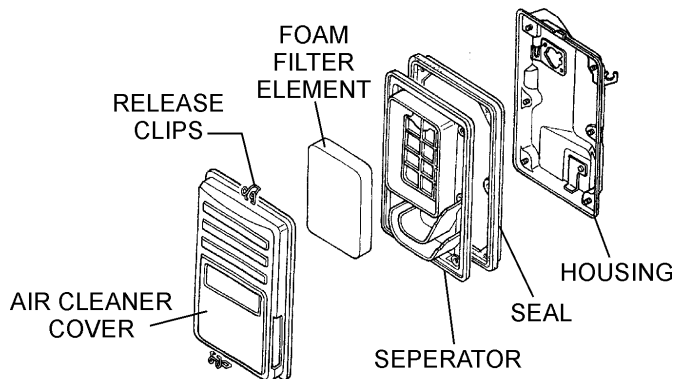
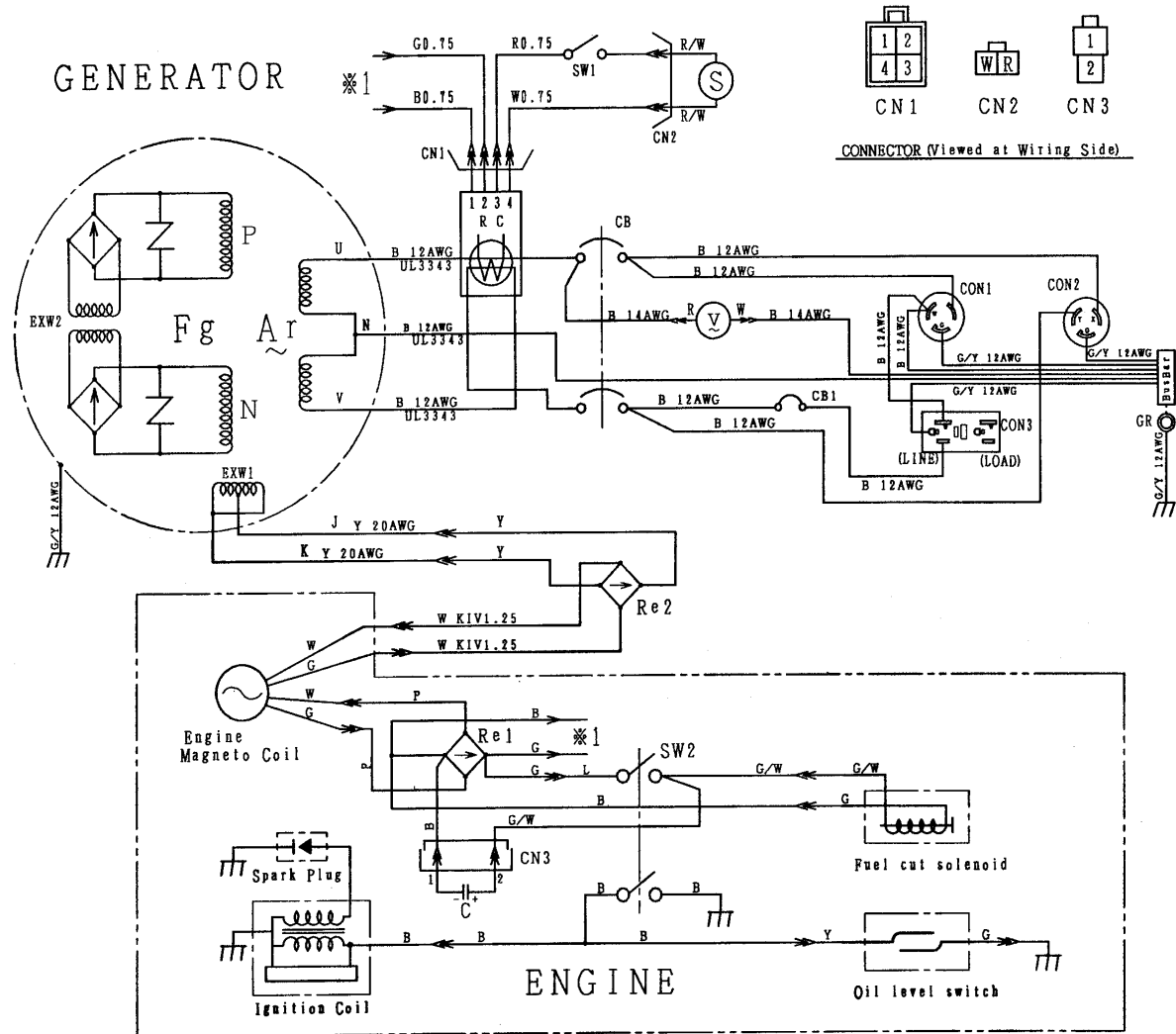


Figure 28. Engine Air Cleaner

# GENERATOR WIRING DIAGRAM



SYMBOL	PART NAME
Ar	Armature Winding
Fg-PN	Field Winding
EXW1-2	Excitation Winding
V	AC Voltmeter (120/240)
Re1-2	Rectifier
CON1	Receptacle L5-30R
CON2	Receptacle L6-20R
CON3	Receptacle 5-15R
CB	UPM-2 20A
CB1	CP-31E/15N 15A
SW1	Idle Control Switch
SW2	Operation Switch
RC	Idle Control Device
S	Idle Control Solenoid
GR	Ground Terminal T-3830
C	Capacitor 50V @ 1000µf

Wiring Color Code			
Symbol	Color	Symbol	Color
B	BLACK	R	RED
L	BLUE	W	WHITE
BR	BROWN	Y	YELLOW
G	GREEN	LB	LIGHT BLUE
GR	GRAY	LG	LIGHT GREEN
V	VIOLET	O	ORANGE
P	PINK		

Figure 29. Generator Wiring Diagram (GAC6HZR)

## TROUBLESHOOTING (ENGINE)

**Table 6. Engine Troubleshooting**

Symptom	Possible Cause	Solution
Difficult to start. Fuel is available but no SPARK at spark plug.	Spark plug bridging?	Check gap, insulation or replace spark plug.
	Carbon deposit on spark plug?	Clean or replace spark plug.
	Short circuit due to deficient spark plug insulation?	Check spark plug insulation. Replace if worn.
	Improper spark plug gap?	Set to proper gap.
Difficult to start. Fuel is available and SPARK is present at the spark plug.	ON/OFF switch is shorted?	Check switch wiring. Replace switch.
	Ignition coil defective?	Replace ignition coil.
	Improper spark gap, points dirty?	Set correct spark gap and clean points.
	Condenser insulation worn or short circuiting?	Replace condenser.
	Spark plug wire broken or short circuiting?	Replace defective spark plug wiring.
Difficult to start. Fuel is available, SPARK is present at the spark plug and compression is normal.	Wrong fuel type?	Flush fuel system and replace with correct type of fuel.
	Water or dust in fuel system?	Flush fuel system.
	Air cleaner dirty?	Clean or replace air cleaner.
Difficult to start. Fuel is available, SPARK is present at the spark plug and compression is low.	Suction/exhaust valve stuck or protruded?	Reseat valves.
	Piston ring and/or cylinder worn?	Replace piston rings or piston.
	Cylinder head and/or spark plug not tightened properly?	Torque cylinder head bolts and spark plug.
	Head gasket and/or spark plug gasket damaged?	Replace head and spark plug gaskets.
No fuel present at carburetor.	Fuel not available in fuel tank?	Fill with correct type of fuel.
	Fuel cock does not open properly?	Apply lubricant to loosen fuel cock lever. Replace if necessary.
	Fuel filter clogged?	Replace fuel filter.
	Fuel tank cap breather hole clogged?	Clean or replace fuel tank cap.
	Air in fuel line?	Bleed fuel line
Weak in power. Compression is proper and does not misfire.	Air cleaner dirty?	Clean or replace air cleaner.
	Improper level in carburetor?	Check float adjustment. Rebuild carburetor.
	Defective spark plug?	Clean or replace spark plug.

## TROUBLESHOOTING (ENGINE)

**Table 6. Engine Troubleshooting (Continued)**

Symptom	Possible Cause	Solution
Weak in power. Compression is proper but misfires.	Water in fuel system?	Flush fuel system and replace with correct type of fuel.
	Dirty spark plug?	Clean or replace spark plug
	Ignition coil defective?	Replace ignition coil.
Engine overheats.	Spark plug heat value improper?	Replace with correct type of spark plug.
	Incorrect type of fuel?	Replace with correct type of fuel.
	Cooling fins dirty?	Clean cooling fins.
Rotational speed fluctuates.	Governor adjusted correctly?	Adjust governor
	Governor spring defective?	Replace governor spring.
	Fuel flow restricted?	Check entire fuel system for leaks or clogs.
Recoil starter malfunction.	Recoil mechanism clogged with dust and dirt?	Clean recoil assembly with soap and water.
	Spiral spring loose?	Replace spiral spring.



# TROUBLESHOOTING (GENERATOR)

**Table 7. Generator Troubleshooting**

Symptom	Possible Problem	Solution
Low voltage	Engine speed too low?	Raise engine speed to rated RPM.
Low voltage. Engine speed normal 3650 RPM (unloaded), 2500 RPM (idle)	AC voltmeter not working?	Replace Ac voltmeter.
	Control box internal wiring malfunction?	Check control box wiring.
	Defective ignition coil?	Check red and green ignition wires. Replace ignition wires if necessary.
	Rotor winding malfunction?	Check or replace rotor.
	Stator winding malfunction?	Check or replace stator.
	Leakage breaker malfunction?	Check or replace CB1.
	Full power switch malfunction?	Check full power switch and full power switch circuit.
Voltage output too high.	Engine speed too high?	Lower engine speed to rated RPM.
Voltage output too high. Engine speed normal 3650 RPM (unloaded), 2500 RPM (idle)	Control box internal wiring malfunction	Check control box wiring.
Circuit breaker will not turn on "NO LOAD"	Defective circuit breaker?	Replace circuit breaker.
Circuit breaker will turn on "LOADED" but trips immediately.	Overload Condition?	Reduce load or replace breaker.
	Load circuit is shorted?	Check load circuit for short.
Does not accelerate from low to high "NO LOAD"	Stuck solenoid?	Check solenoid.
	Bad Idle control switch?	Check or replace idle control switch.
Does not accelerate from low to high "LOAD ACTIVE"	Idle control switch malfunction?	Check or replace idle control switch.
	Idle control device malfunction?	Check or replace idle control device.
	Control box internal wiring defective?	Check control box wiring.
Does not decelerate no "VOLTAGE OUTPUT".	Defective rotor windings?	Check or replace rotor.
	Defective solenoid?	Check or replace solenoid.
	Defective idle control device?	Check or replace idle control device.
	Defective solenoid?	Check or replace idle control device.
Does not decelerate but has "VOLTAGE OUTPUT".	Control box wiring malfunction?	Check control box wiring, replace any defective components.
	Defective solenoid?	Check or replace solenoid.
	Idle control device malfunction?	Check or replace idle control device.



# EXPLANATION OF CODE IN REMARKS COLUMN

The following section explains the different symbols and remarks used in the Parts section of this manual. Use the help numbers found on the back page of the manual if there are any questions.

## NOTICE

The contents and part numbers listed in the parts section are subject to change **without notice**. Multiquip does not guarantee the availability of the parts listed.

## SAMPLE PARTS LIST

NO.	PART NO.	PART NAME	QTY.	REMARKS
1	12345	BOLT.....	1	INCLUDES ITEMS W/%
2%		WASHER, 1/4 IN.....		NOT SOLD SEPARATELY
2%	12347	WASHER, 3/8 IN....	1	MQ-45T ONLY
3	12348	HOSE .....	A/R	MAKE LOCALLY
4	12349	BEARING .....	1	S/N 2345B AND ABOVE

## NO. Column

**Unique Symbols** — All items with same unique symbol

(@, #, +, %, or >) in the number column belong to the same assembly or kit, which is indicated by a note in the “Remarks” column.

**Duplicate Item Numbers** — Duplicate numbers indicate multiple part numbers, which are in effect for the same general item, such as different size saw blade guards in use or a part that has been updated on newer versions of the same machine.

## NOTICE

When ordering a part that has more than one item number listed, check the remarks column for help in determining the proper part to order.

## PART NO. Column

**Numbers Used** — Part numbers can be indicated by a number, a blank entry, or TBD.

TBD (To Be Determined) is generally used to show a part that has not been assigned a formal part number at the time of publication.

A blank entry generally indicates that the item is not sold separately or is not sold by Multiquip. Other entries will be clarified in the “Remarks” Column.

## QTY. Column

**Numbers Used** — Item quantity can be indicated by a number, a blank entry, or A/R.

A/R (As Required) is generally used for hoses or other parts that are sold in bulk and cut to length.

A blank entry generally indicates that the item is not sold separately. Other entries will be clarified in the “Remarks” Column.

## REMARKS Column

Some of the most common notes found in the “Remarks” Column are listed below. Other additional notes needed to describe the item can also be shown.

**Assembly/Kit** — All items on the parts list with the same unique symbol will be included when this item is purchased.

Indicated by:

“INCLUDES ITEMS W/(unique symbol)”

**Serial Number Break** — Used to list an effective serial number range where a particular part is used.

Indicated by:

“S/N XXXXX AND BELOW”

“S/N XXXX AND ABOVE”

“S/N XXXX TO S/N XXX”

**Specific Model Number Use** — Indicates that the part is used only with the specific model number or model number variant listed. It can also be used to show a part is NOT used on a specific model or model number variant.

Indicated by:

“XXXXX ONLY”

“NOT USED ON XXXX”

**“Make/Obtain Locally”** — Indicates that the part can be purchased at any hardware shop or made out of available items. Examples include battery cables, shims, and certain washers and nuts.

**“Not Sold Separately”** — Indicates that an item cannot be purchased as a separate item and is either part of an assembly/kit that can be purchased, or is not available for sale through Multiquip.

## SUGGESTED SPARE PARTS

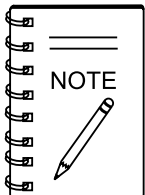
### GAC6HZR PORTABLE 60 HZ GENERATOR WITH HONDA GX340K1/U1EDN2/GX340U1EDN2 GASOLINE ENGINES

#### 1 to 3 units

Qty.	P/N	Description
1	.....0810106004.....	CAP FUEL TANK
1	.....0810107103.....	FILTER FUEL
1	.....3015419604.....	RUBBER SUSPENSION
4	.....1725419214.....	RUBBER SUSPENSION
3	.....9807955846.....	SPARK PLUG
1◆	.....15510ZE2043.....	SWITCH ASSY., OIL ALERT
1◇	.....15510ZE2053.....	SWITCH ASSY., OIL ALERT
1	.....34150ZH7003.....	ALERT UNIT, OIL
2	.....28462ZE3W01.....	ROPE, RECOIL
3	.....17211899000.....	ELEMENT AIR CLEANER

#### NOTICE

Part numbers on this Suggested Spare Parts list may supersede/replace the part numbers shown in the following parts lists.



◆GX340K1EDN2: Model GAC6HZR SEPT. 2007 AND BELOW

◇GX340U1EDN2: Model GAC6HZR JAN. 2008 AND ABOVE

# GAC6HZR— NAMEPLATE AND DECALS ASSY.

S/N 5561058 AND BELOW

**1** **CAUTION**  
Do not use in rain or snow.  
**ATTENTION**  
Ne pas utiliser en cas de pluie ou neige.

**7** FUEL COOK  
ROUILLAGE D'ACIER  
INOXYDABLE  
OFF  
PERMIER

**2** **CAUTION/ATTENTION**  
**HOT PARTS** can burn skin.  
**DO NOT** touch until the lamp has sufficiently cooled.  
Danger de brûlure, pièces chaudes.  
• Ne touchez pas avant que l'appareil ne soit suffisamment refroidi.

**3** **WARNING/ATTENTION**  
• Only operate machines in well ventilated areas.  
• Do not inhale exhaust gases.  
• N'utilisez l'équipement que dans des endroits bien aérés.  
• Ne respirez pas les gaz d'échappement.  
Only qualified personnel should install, use, or service this equipment.  
Seul un personnel qualifié devrait poser l'installation d'établir d'utiliser ou de réparer cet équipement.

**4** **DANGER**  
Do not touch output terminals or internal wiring until after servicing.  
• Turn off power before servicing.  
• Ne touchez ni les bornes externes ni le câblage électrique interne lorsque que l'équipement est en opération.  
• Éteignez avant de réparer.  
Only qualified personnel should install, use, or service this equipment.  
Seul un personnel qualifié devrait poser l'installation d'établir d'utiliser ou de réparer cet équipement.

**6** **CAUTION**  
• READ OWNER'S SERVICE MANUAL BEFORE OPERATING OR SERVICING THIS MACHINE.  
• ALWAYS KEEP UNAUTHORIZED INEXPERIENCED UNTRAINED PEOPLE AWAY FROM THIS MACHINE.  
• MAKE SURE ALL SAFETY DEVICES ARE OPERATIONAL BEFORE THIS MACHINE IS STARTED. MAKE SURE ENGINE IS TURNED OFF AND SPARK PLUG WIRE DISCONNECTED BEFORE SERVICING THE MACHINE OR COMING IN CONTACT WITH ANY MOVING PART. IF EQUIPMENT IS POWERED BY AN ELECTRIC MOTOR, DISCONNECT ELECTRICAL PLUG.  
• NEVER LEAVE MACHINE UNATTENDED WHEN OPERATING. ALWAYS STOP ENGINE AND ALLOW ENGINE TO COOL BEFORE ADDING FUEL OR OIL.

**5** **CAUTION**  
• Il est impératif de lire le manuel d'utilisation avant d'utiliser ou de réparer cet équipement.  
• Il est impératif de garder tout personnel non autorisé ou non qualifié à distance de cet équipement.  
• Assurez vous que tout équipement de sécurité est fonctionnel avant d'engager l'équipement. Assurez vous que le moteur est éteint et que le fil de la bougie est déconnecté avant de réparer la machine ou vient tout contact avec toute pièce en mouvement. Si l'équipement est alimenté par un moteur électrique débranchez l'appareil.  
• Ne laissez jamais l'appareil sans supervision quand il est en marche. Il est impératif d'arrêter le moteur et de le laisser refroidir avant d'ajouter de l'huile ou du carburant.

**8** **MULTIQUIP 6000**

**10** Insulation System --- B  
Maximum ambient Temperature --- 40°C (104°F)  
Système d'insulation --- B  
Température ambiante maximum --- 40°C (104°F)

S/N 5561059~5582097

**11** **DANGER**  
THE POSSIBILITY EXISTS OF **ARCS/SPARKS** IF CONDENSER/RELEASER IS NOT PROPERLY GROUNDED. ALWAYS CONNECT SAFETY GROUND (GROUND ROD) TO ADJACENT CONTACT POINT.  
IL Y AURAIT UN RISQUE D'ÉLECTROCUTION À MOINS QUE LE CONDENSATEUR/RELÂCHEUR NE SOIT PROPREMENT MIS À LA TERRE. ASSUREZ-VOUS DE RElier À LA MÂCHE DE DÉCHARGE LE POINT DE MISE À LA TERRE DE L'ÉQUIPEMENT.  
NEVER use in enclosed or partially enclosed areas.  
ONLY use outdoors and away from open windows, doors, and vents.  
Utilisation **UNIQUEMENT** dans un espace clos ou partiellement clos.

S/N 5582098~5622598

**12** **DANGER**  
Using a generator indoors **CAN KILL YOU IN MINUTES**.  
Utiliser un générateur à l'intérieur **VOUS TUERA EN QUELQUES MINUTES**.  
Échappés contenant carbone monoxyde, à partir des gaz carbonés vides et autres.  
Les gaz d'échappement contenant du monoxyde de carbone, un gaz toxique invisible et létal.  
NEVER use in enclosed or partially enclosed areas.  
ONLY use outdoors and away from open windows, doors, and vents.  
Utilisation **UNIQUEMENT** dans un espace clos ou partiellement clos.

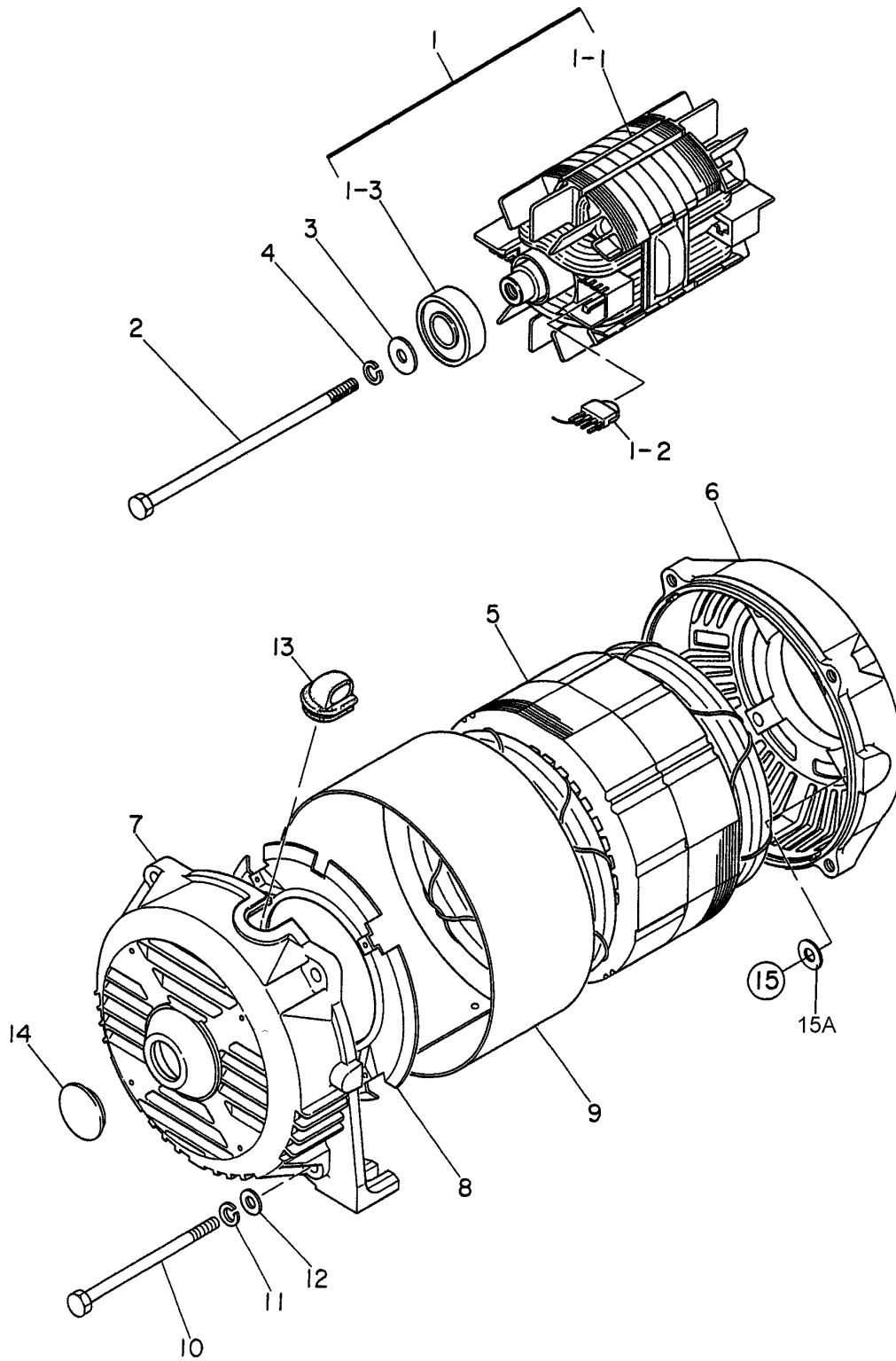
S/N 5622599 AND ABOVE

**13** **WARNING**  
Operation of this equipment may create sparks that can start fires around dry vegetation.  
A spark arrestor may be required. The operator should contact local fire agencies for laws or regulation relating to fire prevention requirements.  
Des étincelles pouvant enflammer la végétation sèche environnante peuvent être produites pendant le fonctionnement de cet équipement.  
Un pare-étincelles peut être requis. L'opérateur doit contacter les agences anti-incendie locales pour s'informer des lois ou réglementations concernant les exigences de prévention-incendie.

## GAC6HZR— NAMEPLATE AND DECALS ASSY.

<b>NO.</b>	<b>PART NO.</b>	<b>PART NAME</b>	<b>QTY.</b>	<b>REMARKS</b>
1	A3552000004A	DECAL; CAUTION, RAIN SNOW.....	1.....	A35200000A
2	A6552000404A	DECAL; CAUTION, HOT PARTS .....	1.....	A65300040A
3	A6532100904A	DECAL; WARNING, EXHAUST GASES .....	1.....	A63210090A
4	A6532101004A	DECAL; DANGER, ELECTROCUTION .....	1.....	A63210100A
5	A5552000804	DECAL; OPERATING INSTR. (FRENCH).....	1.....	A552200080
6	A5552000704A	DECAL; OPERATING INSTR. (ENGLISH).....	1.....	A55200070A
7	A9508200004	DECAL; FUEL COCK.....	1.....	A90820000
8	W7900631202	DECAL; MQ LOGO 6000 STRIPE.....	1.....	S-4499
10	A3532100304A	DECAL; SPECIFICATION .....	1.....	A33210030A
11	A9511100204	DECAL; DANGER, GROUND ROD .....	1.....	A91110020
		.....		S/N 5561059~5582097
12	A9504000104	DECAL; DANGER, DANGEROUS GASES.....	1.....	A90400010
		.....		S/N 5582098~5622598
13	A9504000204	DECAL; WARNING, SPARK ARRESTOR.....	1.....	A90400020
		.....		S/N 5622599 AND ABOVE

# GAC6HZR— GENERATOR ASSY.



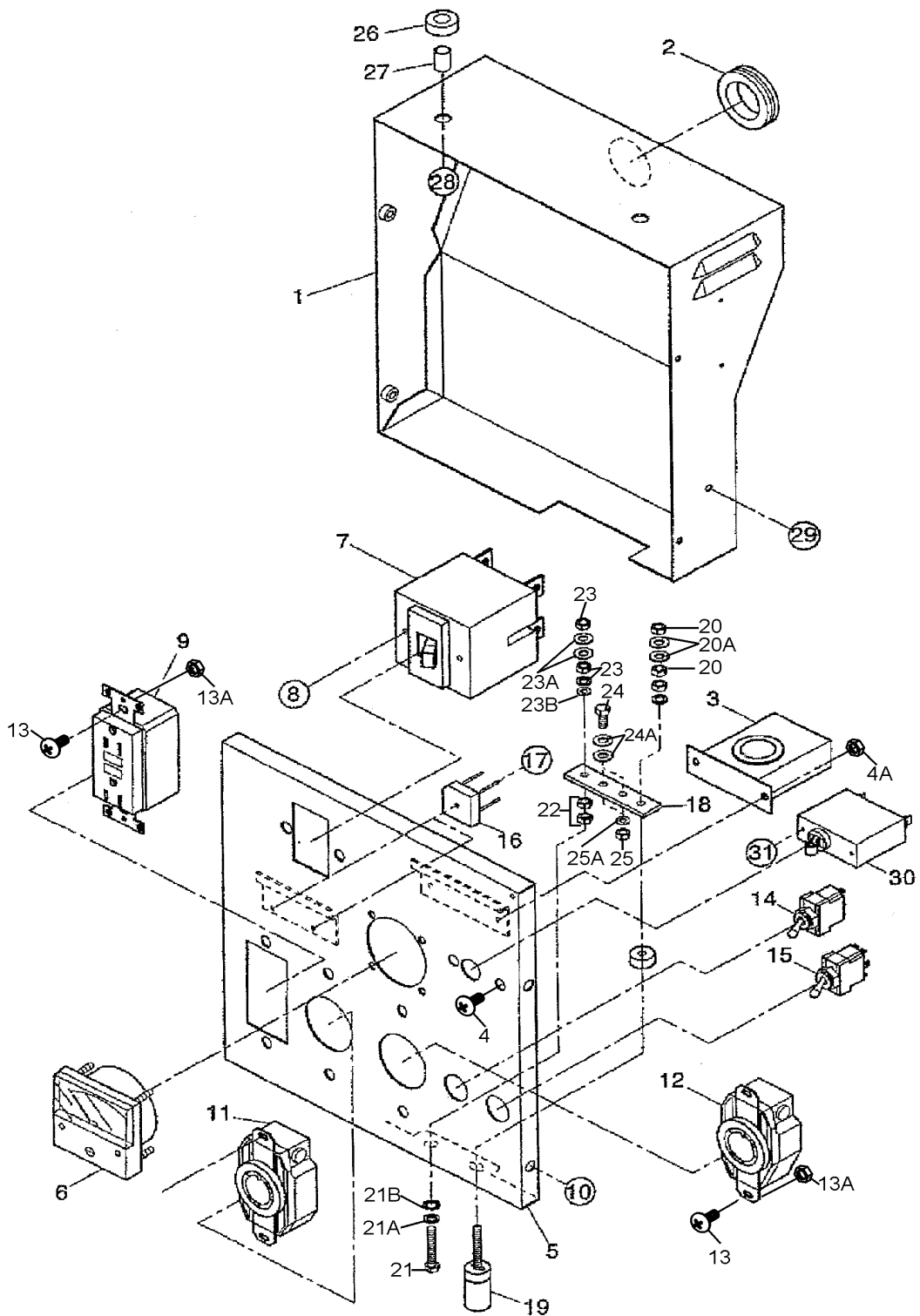
## GAC6HZR— GENERATOR ASSY.

---

<u>NO.</u>	<u>PART NO.</u>	<u>PART NAME</u>	<u>QTY.</u>	<u>REMARKS</u>
1	7901002403	ROTOR ASSY.....	1.....	INCLUDES ITEMS W/#
1-1#		FIELD ASSY.....	1.....	NOT SOLD SEPERATELY
1-2#	0601823213	RECTIFIER, D3SB80	2	
	0601822638	SURGE ABSORBER,	2	
1-3#	0071706304	BEARING, 6304 2RU NYCM	1	
2	7901017004	SET BOLT, ROTOR	1	
3	0801086104	SET WASHER, BEARING	1	
4	0040010000	WASHER, LOCK	1	
5	A5135000103	ARMATURE ASSY.	1	
6	7901315502	END BRACKET	1	
7	7871315022	END BRACKET	1	
8	7875021523	GUIDE PANEL, AIR	1	
9	7871331003	COVER	1	
10	7901316004	SET BOLT, STATOR	4	
11	0040008000	WASHER, LOCK	4	
12	0041208000	WASHER, FLAT	4	
13	7871329514	GROMMET	1	
14	0601851760	CAP, 0B-13	1	
15	0013608020	HEX, HEAD BOLT	4	
15A	0040008000	WASHER, LOCK	4	



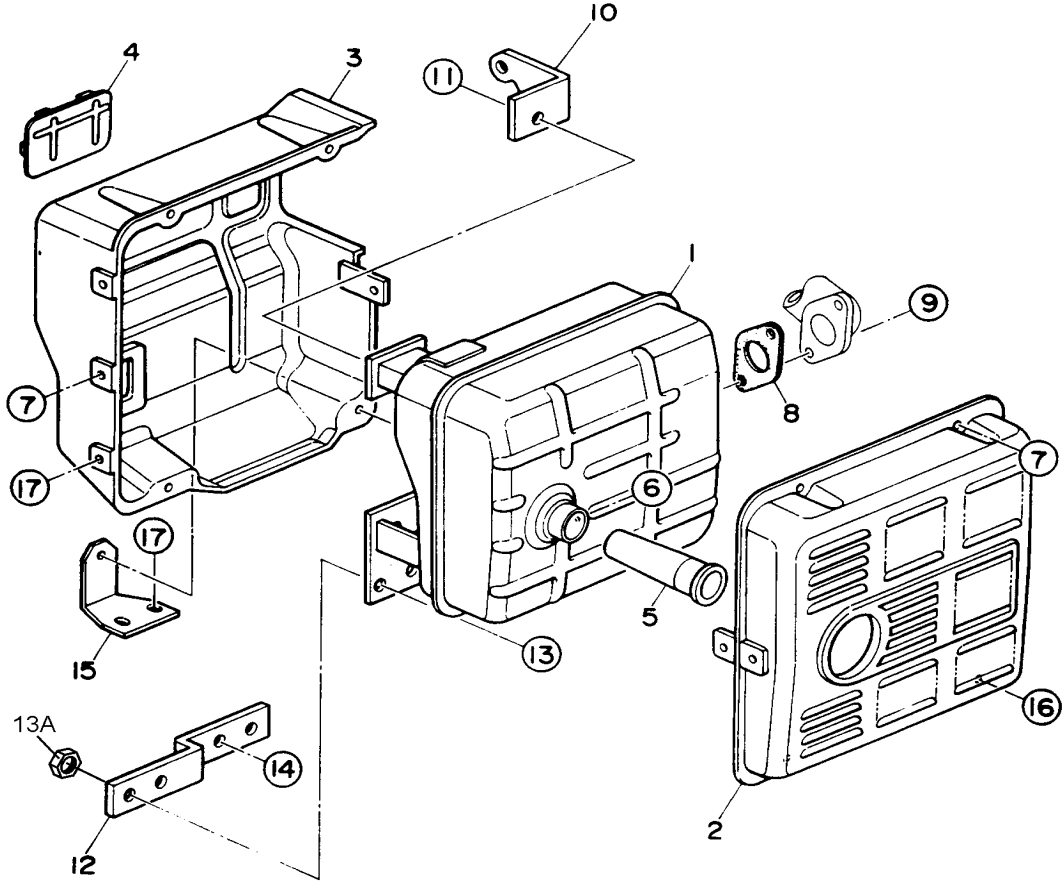
# GAC6HZR— CONTROL BOX ASSY.



## GAC6HZR— CONTROL BOX ASSY.

<u>NO.</u>	<u>PART NO.</u>	<u>PART NAME</u>	<u>QTY.</u>	<u>REMARKS</u>
1	A3215000103	CONTROL BOX	1	
2	0601850102	GROMMET	1	
3	0601823853	SLOW DOWN UNIT	1	
4	0027104010	MACHINE SCREW	2	
5	A5225001303	CONTROL PANEL	2	
6	0601806819	AC VOLTMETER, DE450, 0~240V	1	
7	0601807464	CIRCUIT BREAKER, 20 AMP	1	
8	0027104006	MACHINE SCREW	2	
9	0601812590	RECEPTACLE 5-15R:GF5252 (GFCI)	1	
10	0027105010	MACHINE SCREW	4	
11	0601811035	RECEPTACLE, L5-30R: 125V, 30A	1	
12	0601811032	RECEPTACLE, L6-20R: 250V, 20A	1	
13	0027104010	MACHINE SCREW	6	
13A	0207004000	NUT, HEX	2	
14	0601830727	IDLE CONTROL SWITCH	1	
15	0601830738	OPERATION SWITCH	1	
16	0601823204	RECTIFIER, S5VB60	2	
17	0027103020	MACHINE SCREW	2	
18	A3262800104	TERMINAL PLATE	1	
19	0601815147	GROUND TERMINAL	1	
20	0207005000	NUT, HEX	2	
20A	0041205000	WASHER, FLAT	2	
21	0012905040	BOLT, HEX. HEAD	1	
21A	0040005000	WASHER, LOCK	1	
21B	0040505000	WASHER, STAR TOOTH	1	
22	0207005000	NUT, HEX	2	
23	0207005000	NUT, HEX	2	
24	0017105020	BOLT, HEX. HEAD	2	
24A	0041205000	WASHER, FLAT	2	
25	0207005000	NUT, HEX	2	
25A	0040005000	WASHER, LOCK	1	
26	0805088004	RUBBER CUSHION	2	
27	0805088304	COLLAR	2	
28	0017106020	BOLT, HEX. HEAD	2	
29	0017106016	BOLT, HEX. HEAD	2	
30	0601806428	CIRCUIT BREAKER, 15 AMP	1	
31	0027103006	MACHINE SCREW	2	

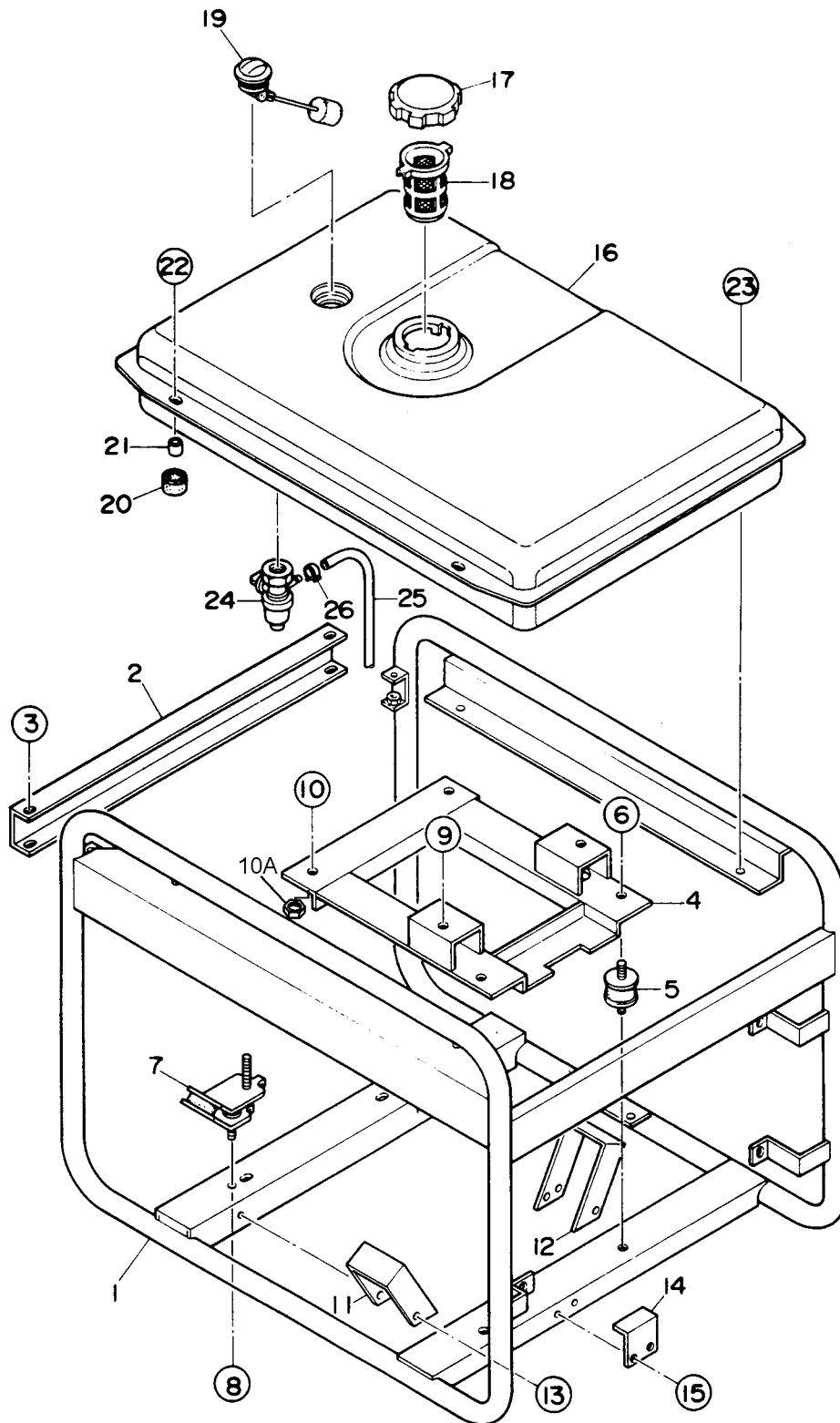
# GAC6HZR— MUFFLER ASSY.



## GAC6HZR— MUFFLER ASSY.

<u>NO.</u>	<u>PART NO.</u>	<u>PART NAME</u>	<u>QTY.</u>	<u>REMARKS</u>
1	7912310003	MUFFLER	1	
2	18320ZC2000	PROTECTOR.....	1.....	REPLACES P/N 0602302001
3	18325ZB4000	PROTECTOR.....	1.....	REPLACES P/N 0602302002
4	18329ZB4000	SEAL.....	2.....	REPLACES P/N 0602302003
5	18335ZB4630	ARRESTOR, SPARK .....	1.....	REPLACES P/N 0602313060
6	90183671003	TAPPING SCREW .....	1.....	REPLACES P/N 0602322060
7	0017106012	BOLT, HEX HEAD	5	
8	18333ZB4800	GASKET .....	1.....	REPLACES P/N 0602320175
9	957000802000	BOLT, HEX. HEAD .....	2.....	REPLACES P/N 0602322061
10	7905461004	BRACKET	4	
11	0017108020	BOLT, HEX. HEAD	1	
12	7905469004	BRACKET	1	
13	0017108025	BOLT, HEX. HEAD	2	
13A	0207008000	NUT, HEX	2	
14	0017108020	BOLT, HEX. HEAD	1	
15	7905469004	BRACKET	1	
16	0017106020	BOLT, HEX. HEAD	1	
17	0017106012	BOLT, HEX. HEAD	1	

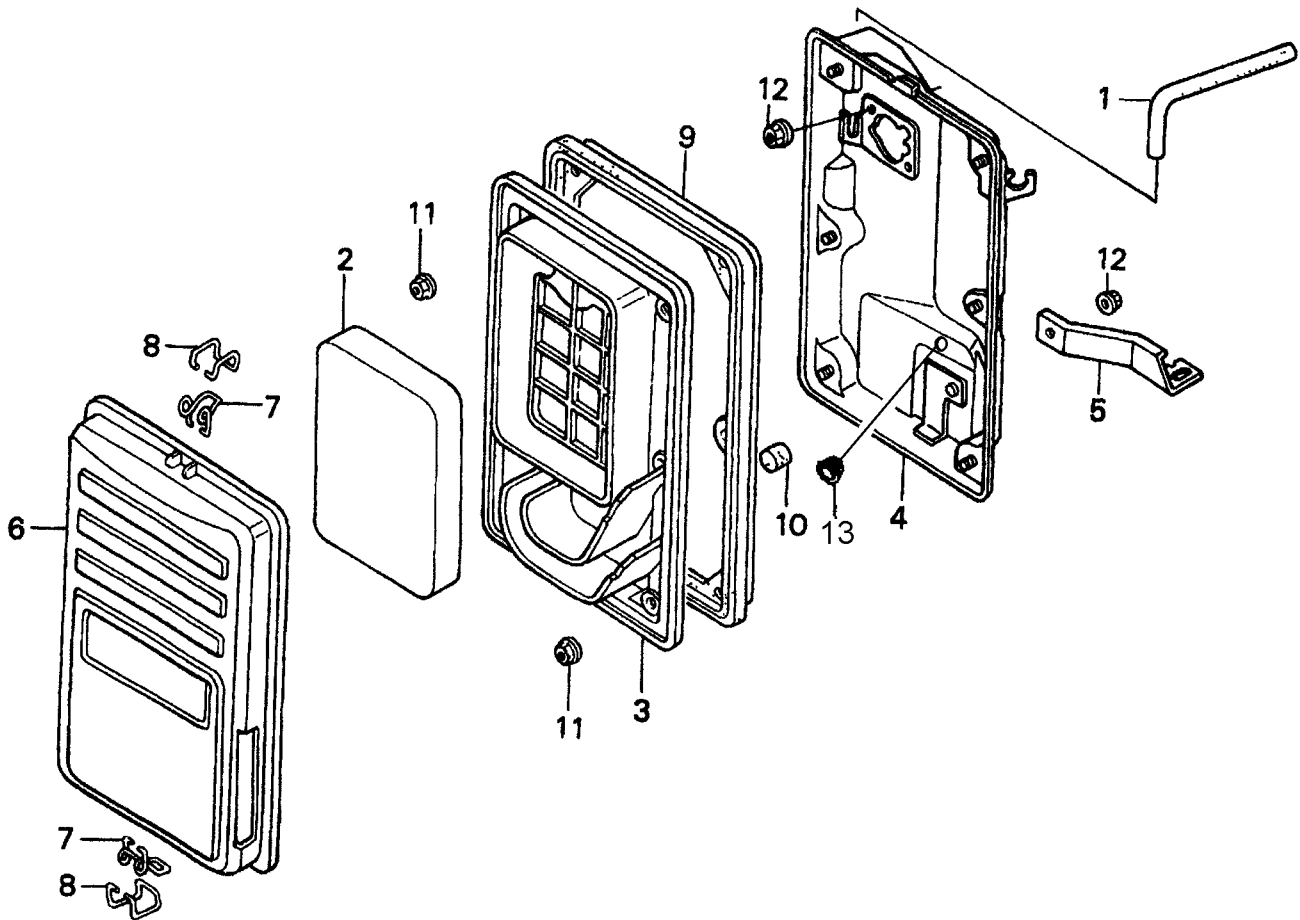
# GAC6HZR— PIPE FRAME ASSY.



## GAC6HZR— PIPE FRAME ASSY.

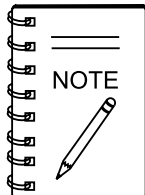
<u>NO.</u>	<u>PART NO.</u>	<u>PART NAME</u>	<u>QTY.</u>	<u>REMARKS</u>
1	7905413002	PIPE FRAME	1	
2	7905416004	BRACKET	1	
3	0017106016	BOLT, HEX. HEAD	4	
4	7905443003	BASE	1	
5	3015419604	RUBBER SUSPENSION	2	
6	0207008000	NUT, HEX	4	
7	1725419214	RUBBER SUSPENSION	2	
8	0207008000	NUT, HEX	4	
9	0017108040	BOLT, HEX HEAD	2	
10	0017108040	BOLT, HEX HEAD	2	
10A	0207008000	NUT, HEX	2	
11	7855455003	COVER	1	
12	7915455103	COVER	1	
13	0017106016	BOLT, HEX. HEAD	6	
14	7915456004	STOPPER	1	
15	0017106016	BOLT, HEX HEAD	2	
16	7905512002	FUEL TANK	1	
17	0810106004	CAP. FUEL TANK	1	
18	0810107103	FUEL FILTER	1	
19	0602125034	FUEL GAUGE	1	
20	7855525514	RUBBER CUSHION	2	
21	7855525604	COLLAR	2	
22	0017108030	BOLT, HEX HEAD	2	
23	0017108020	BOLT, HEX HEAD	2	
24	16950ZB4015	FUEL COCK .....	1	REPLACES P/N 0605511087
25	9500014519040	HOSE.....	1	REPLACES P/N 0605513140
26	0605515096	HOSE BAND	2	
27	0019206015	BOLT, HEX HEAD	1	

# HONDA GX340K1/U1EDN2 — AIR CLEANER ASSY.



## HONDA GX340K1/U1EDN2 — AIR CLEANER ASSY.

NO.	PART NO.	PART NAME	QTY.	REMARKS
1	15721ZB4000	TUBE BREATHER	1	
2	17211899000	ELEMENT, AIR CLEANER	1	
3◆	17212ZB4003	SEPARATOR, AIR CLEANER	1	
3◇	17212ZB4003	SEPARATOR, AIR CLEANER.....	1.....	S/N 1157236 AND BELOW
3◇	17212Z5R000	SEPARATOR, AIR CLEANER.....	1.....	S/N 1157237 AND ABOVE
4◆	17220ZB4003	CASE, AIR CLEANER	1	
4◇	17220ZB4003	CASE, AIR CLEANER.....	1.....	S/N 1157236 AND BELOW
4◇	17220Z5R000	CASE, AIR CLEANER.....	1.....	S/N 1157237 AND ABOVE
5	17222ZC2000	STAY, AIR CLEANER	1	
6	17231899000	COVER, AIR CLEANER	1	
7	17235899000	CLIP A, AIR CLEANER WIRE	2	
8	17236899000	CLIP B, AIR CLEANER WIRE	2	
9	17252899000	SEAL, AIR CLEANER	1	
10	17367413690	FILTER, DRAIN TUBE	1	
11	9405005000	NUT, FLANGE (5MM)	6	
12	9405006000	NUT, FLANGE (6MM)	3	
13◇	17232898000	GROMMET, AIR CLEANER	1	

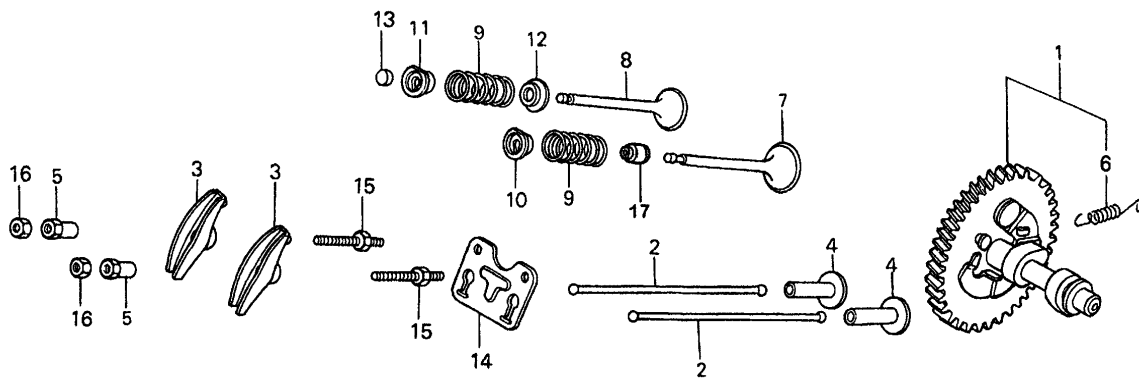


◆GX340K1EDN2: Model GAC6HZR SEPT. 2007 AND BELOW

◇GX340U1EDN2: Model GAC6HZR JAN. 2008 AND ABOVE

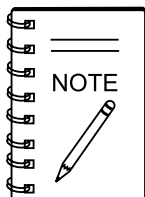


# HONDA GX340K1/U1EDN2 ENGINE — CAMSHAFT ASSY.



## HONDA GX340K1/U1EDN2 ENGINE — CAMSHAFT ASSY.

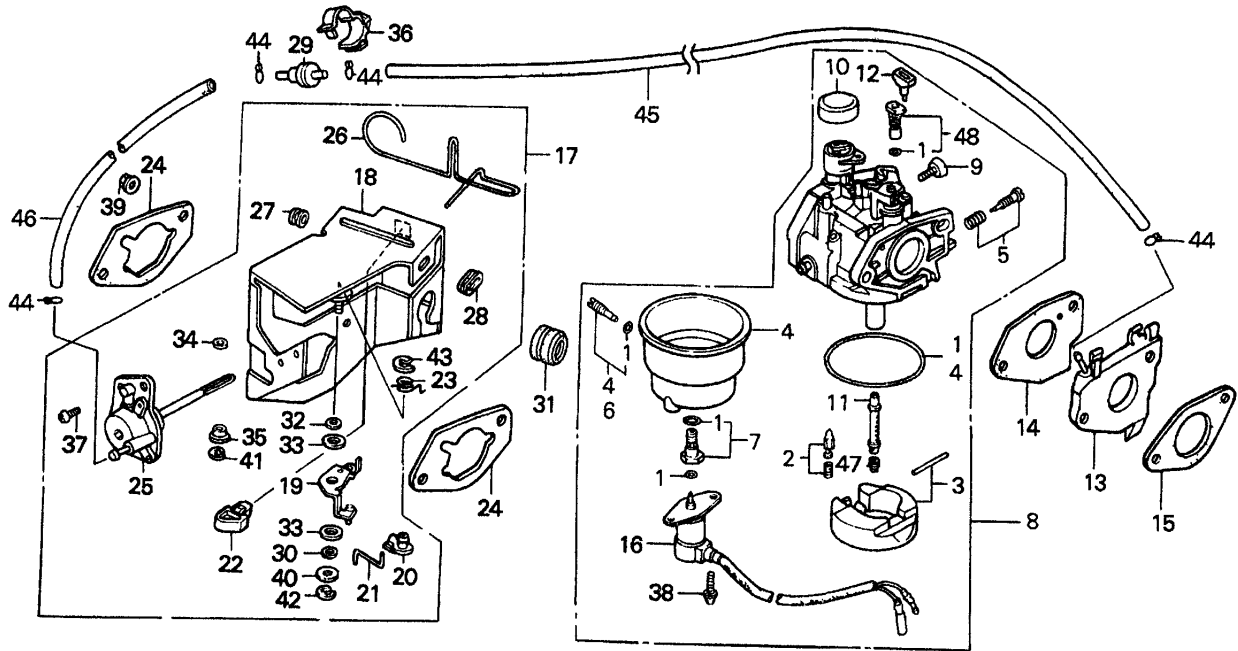
NO.	PART NO.	PART NAME	QTY.	REMARKS
1◆	14100ZE3010	CAMSHAFT ASSY. ....	1.....	S/N 2708026 AND BELOW INCLUDES ITEMS/W\$
1◆	14100ZE3020	CAMSHAFT ASSY. ....	1.....	S/N 2708027 AND ABOVE INCLUDES ITEMS/W\$
1◇	14100ZE3020	CAMSHAFT ASSY.	1	
2	14410ZE3013	ROD, PUSH	2	
3◆	14431ZE2010	ARM, VALVE ROCKER	2	
3	14431ZE2010	ARM, VALVE ROCKER	2	
4	14441ZE2000	LIFTER, VALVE	2	
5	14451ZE1013	PIVOT, ROCKER ARM	2	
6\$	14568ZE1000	SPRING, WEIGHT RETURN	1	
7	14711ZE3000	VALVE, IN.	1	
8	14721ZE3000	VALVE, EX.	1	
9	14751ZE2003	SPRING, VALVE	2	
10	14771ZE2000	RETAINER, IN. VALVE SPRING	1	
11	14773ZE2000	RETAINER, EX. VALVE SPRING	1	
12	14775ZE2010	SEAT, VALVE SPRING	1	
13	14781ZE2000	ROTATOR, VALVE	1	
14	14791ZE2010	PLATE, PUSH ROD GUIDE	1	
15	90012ZE0010	BOLT, PIVOT (8MM)	2	
16	90206ZE1000	NUT, PIVOT ADJ.	2	
17	12209ZE8003	SEAL, VALVE STEM	1	



◆GX340K1EDN2: Model GAC6HZR SEPT. 2007 AND BELOW

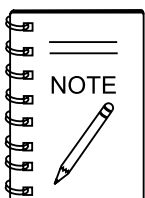
◇GX340U1EDN2: Model GAC6HZR JAN. 2008 AND ABOVE

# HONDA GX340K1/U1EDN2 ENGINE — CARBURETOR ASSY.



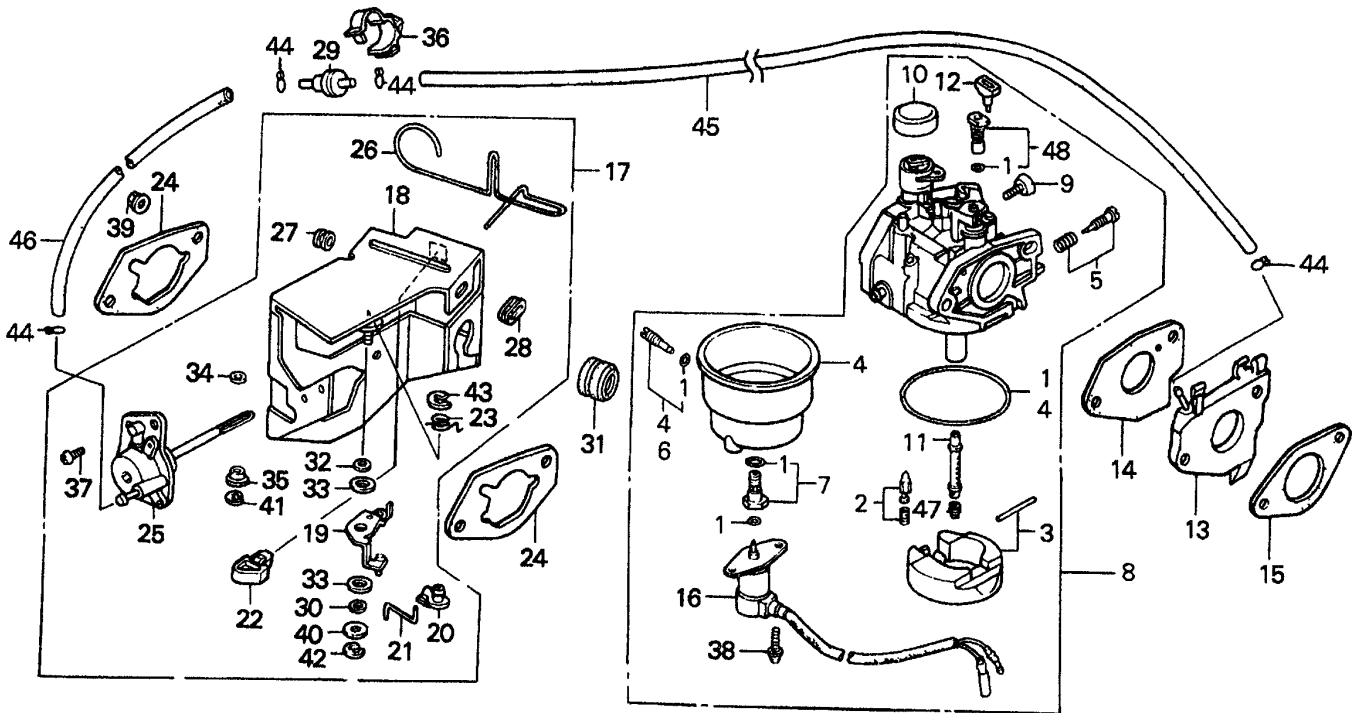
# HONDA GX340K1/U1EDN2 ENGINE — CARBURETOR ASSY.

NO.	PART NO.	PART NAME	QTY.	REMARKS
1	16010ZE3701	GASKET SET	1	
2\$	16011ZA0931	VALVE SET, FLOAT	1	
3\$	16013ZA0931	FLOAT SET	1	
4\$	16015ZA0931	CHAMBER SET, FLOAT	1	
5\$	16016ZH7W01	SCREW SET	1	
6◆\$	16024124761	SCREW SET, DRAIN	1	
7\$	16028ZA0931	SCREW SET B	1	
8◆	16100ZE3F10	CARBURETOR ASSY., (BE82B A) .....	1.....	USE S/N 2374606~2521477 .....INCLUDES ITEMS W/\$
8◆	16100ZE3F11	CARBURETOR ASSY., (BE82B B) .....	1.....	FROM S/N 2521478 .....INCLUDES ITEMS W/\$
8◇	16100Z5LF11	CARBURETOR ASSY., (BE82M A/B) .....	1.....	USE S/N 1025990~1132678 .....INCLUDES ITEMS W/\$
8◇	16100ZE3F11	CARBURETOR ASSY., (BE82B B) .....	1.....	USE UP TO S/N1030950 .....INCLUDES ITEMS W/\$
8◇	16100Z5LF12	CARBURETOR ASSY., (BE82M B) .....	1.....	USE FROM S/N 1132679 .....INCLUDES ITEMS W/\$
9\$	16124ZE0005	SCREW, THROTTLE STOP	1	
10\$	16148141881	CAP, CHOKE LEVER DUST	1	
11\$	16166ZE3F10	NOZZLE, MAIN	1	
12\$	16172ZE3W10	COLLAR, SET	1	
13	16211ZE3700	INSULATOR, CARBURETOR	1	
14	16221ZE3800	GASKET, CARBURETOR	1	
15	16223ZE3800	GASKET, INSULATOR	1	
16◆\$	16230ZE3701	VALVE ASSY., SOLENOID	1	
16◇\$	16230ZE3701	VALVE ASSY., SOLENOID.....	1.....	USE UP S/N 1132678
16◇\$	16230ZE3702	VALVE ASSY., SOLENOID.....	1.....	USE FROM S/N 1132679
17◆	16260ZE2722	STAY ASSY., MANUAL CHOKE .....	1.....	INCLUDES ITEMS W/#
17◇	16260ZE2722	STAY ASSY., MANUAL CHOKE .....	1.....	USE UP TO S/N 1132678 .....INCLUDES ITEMS W/#
17◇	16260ZE2723	STAY ASSY., MANUAL CHOKE .....	1.....	USE FROM S/N 1132679 .....INCLUDES ITEMS W/#



- ◆GX340K1EDN2: Model GAC6HZR SEPT. 2007 AND BELOW
- ◇GX340U1EDN2: Model GAC6HZR JAN. 2008 AND ABOVE

# HONDA GX340K1/U1EDN2 ENGINE — CARBURETOR ASSY.



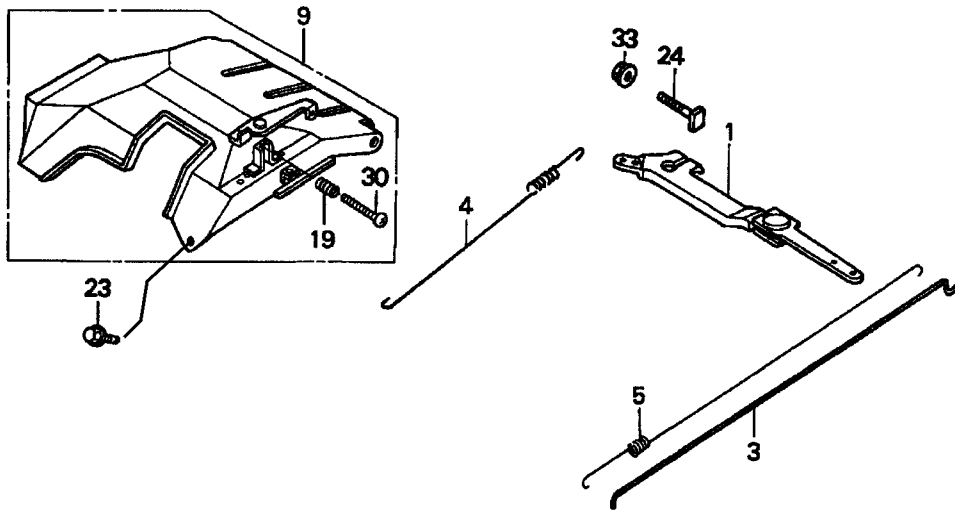
# HONDA GX340K1/U1EDN2 ENGINE — CARBURETOR ASSY.

NO.	PART NO.	PART NAME	QTY.	REMARKS
18#	16261ZE2702	STAY, SOLENOID	1	
19#	16262ZE2711	LEVER, CHOKE	1	
20#	16263ZA0000	JOINT, ROD	1	
21#	16264ZE2701	ROD, CHOKE	1	
22#	16265ZE2721	STOPPER, CHOKE ROD	1	
23#	16268ZE2721	SPRING, MANUAL CHOKE	1	
24	16269ZA0800	GASKET, AIR CLEANER	2	
25◆#	16400ZE2703	DIAPHRAGM ASSY.	1	
25◇ #	16400ZE2703	DIAPHRAGM ASSY.....	1	USE UP TO S/N 1132382
25◇ #	16400ZE2704	DIAPHRAGM ASSY.....	1	USE FROM S/N 1132679
26#	16611ZE2711	ROD, CHOKE CONTROL	1	
27#	16613893000	GROMMET, CHOKE ROD	1	
28#	16615893000	GUIDE, CHOKE ROD	1	
29	36135ZF6D41	VALVE, DASHPOT CHECK	1	
30#	53149964003	BUSH, ARM PIVOT	1	
31	88911MJ3000	GROMMET, FENDER	1	
32#	90431ZE2700	WASHER, CHOKE LEVER	1	
33#	90432ZE2700	SEAL, CHOKE LEVER	2	
34#	90433ZE2700	WASHER, THRUST (2.7X8)	1	
35#	90434ZE2700	COLLAR, LEVER	1	
36	90650SD9003	CLIP, WIRE HARNESS	1	
37#	93500050120A	SCREW, PAN (5X12)	2	
38	938920501208	SCREW, WASHER (5X12)	2	
39	9405006000	NUT, FLANGE (6MM)	2	
40#	9410305000	WASHER, PLAIN (5MM)	1	
41#	9454002010	E-RING (2MM)	1	
42#	9454004010	E-RING (4MM)	1	
43#	9454007010	E-RING (7MM)	1	
44	9500202070	CLIP, TUBE (B7)	4	
45	950053507510	TUBE (3.5X75)	1	
46	950053513010	TUBE (3.5X130)	1	
47	99101ZH80950	JET, MAIN (#95) (OPTIONAL)	1	
47	99101ZH80980	JET, MAIN (#98) (OPTIONAL)	1	
47\$	99101ZH81000	JET, MAIN (#100)	1	
48\$	99204ZE00350	JET SET, PILOT (#35)	1	



- ◆GX340K1EDN2: Model GAC6HZR SEPT. 2007 AND BELOW
- ◇ GX340U1EDN2: Model GAC6HZR JAN. 2008 AND ABOVE

# HONDA GX340K1/U1EDN2 ENGINE — CONTROL ASSY.

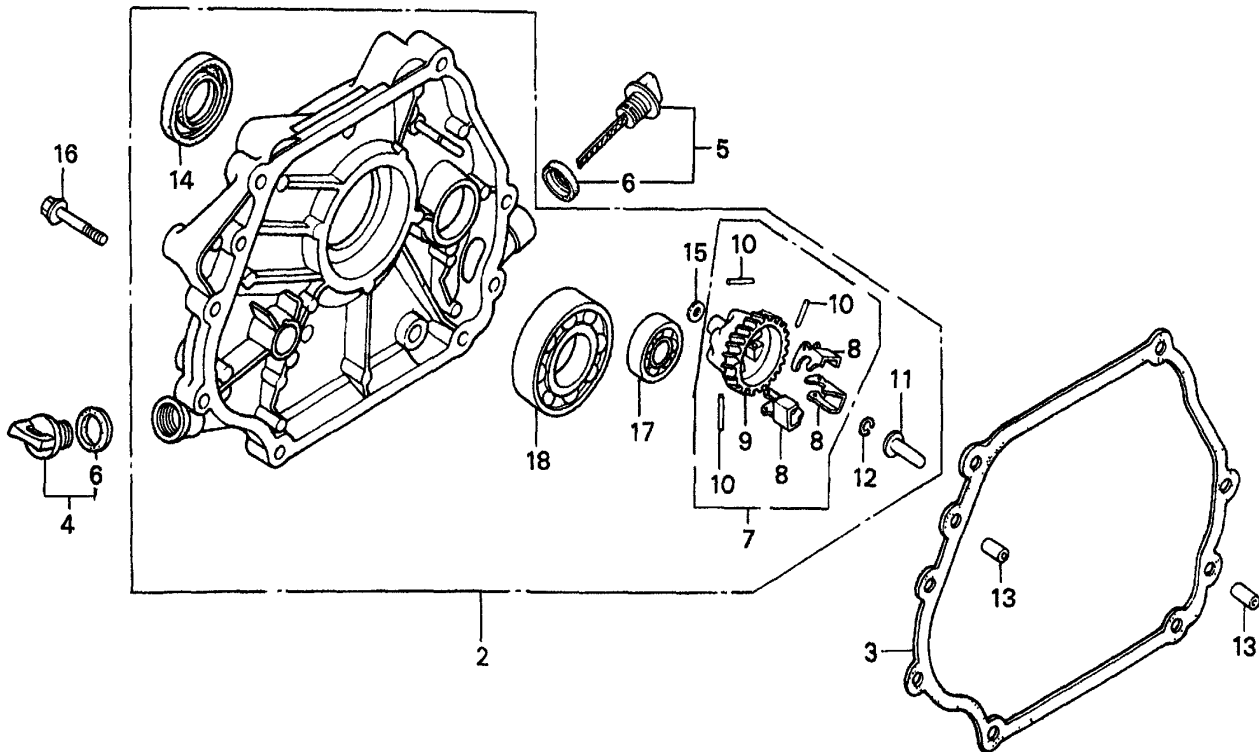


## HONDA GX340K1/U1EDN2 ENGINE — CONTROL ASSY.

<u>NO.</u>	<u>PART NO.</u>	<u>PART NAME</u>	<u>QTY.</u>	<u>REMARKS</u>
1	16550ZE3700	ARM, GOVERNOR	1	
3	16555ZE3000	ROD, GOVERNOR	1	
4	16561ZE3000	SPRING, GOVERNOR	1	
5	16562ZE3700	SPRING, THROTTLE RETURN	1	
9	16570ZE3700	CONTROL ASSY.....	1	INCLUDES ITEMS W/\$
19\$	16584883300	SPRING, CONTROL ADJUSTING	1	
23	90013883000	BOLT, FLANGE (6X12) (CT200)	2	
24	90015ZE5010	BOLT, GOVERNOR ARM	1	
30\$	93500050350A	SCREW, PAN (5X35)	1	
33	9405006000	NUT, FLANGE (6MM)	1	



# HONDA GX340K1/U1EDN2 ENGINE — CRANKCASE COVER ASSY.



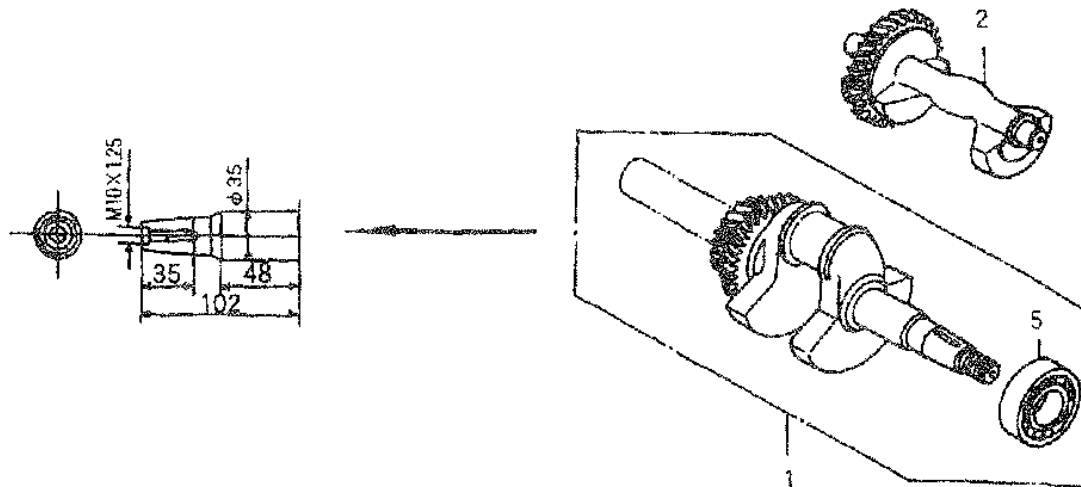
# HONDA GX340K1/U1EDN2 ENGINE — CRANKCASE COVER ASSY.

NO.	PART NO.	PART NAME	QTY.	REMARKS
2◆	11300ZE3020	COVER ASSY., CRANKCASE (S-TYPE).....	1.....	INCLUDES ITEMS W/\$
2◇	11300ZE3040	COVER ASSY., CRANKCASE (S-TYPE).....	1.....	INCLUDES ITEMS W/\$
3	11381ZE3801	GASKET, CASE COVER	1	
4	15600ZG4003	CAP ASSY., OIL FILLER.....	1.....	INCLUDES ITEMS W/%
5	15600735003	CAP ASSY., OIL FILLER.....	1.....	INCLUDES ITEMS W/%
6%	15625ZE1003	GASKET, OIL FILLER CAP	2	
7\$	16510ZE3000	GOVERNOR ASSY. ....	1.....	INCLUDES ITEMS W/#
8#\$	16511ZE8000	WEIGHT, GOVERNOR	3	
9#\$	16512ZE3000	HOLDER, GOVERNOR WEIGHT	1	
10#\$	16513ZE2000	PIN, GOVERNOR WEIGHT	3	
11◆\$	16531ZE2000	SLIDER, GOVERNOR .....	1.....	USE UP TO S/N 3460754
11◆\$	16531ZOA000	SLIDER, GOVERNOR .....	1.....	USE FROM S/N 3460755
11◇\$	16531ZOA000	SLIDER, GOVERNOR	1	
12\$	90602ZE1000	CLIP, GOVERNOR HOLDER	1	
13	90701HC4000	PIN, DOWEL (8X12)	2	
14\$	92102ZE3004	OIL SEAL (35X52X8)	1	
15#	9410106800	WASHER, PLAIN (6MM)	1	
16	957010804000	BOLT, FLANGE (8X40)	7	
17\$	961006202000	BEARING, RADIAL BALL (6202)	1	
18\$	961006207000	BEARING, RADIAL BALL (6207)	1	



- ◆GX340K1EDN2: Model GAC6HZR SEPT. 2007 AND BELOW
- ◇GX340U1EDN2: Model GAC6HZR JAN. 2008 AND ABOVE

# HONDA GX340K1/U1EDN2 ENGINE — CRANKSHAFT ASSY.



# HONDA GX340K1/U1EDN2 ENGINE — CRANKSHAFT ASSY.

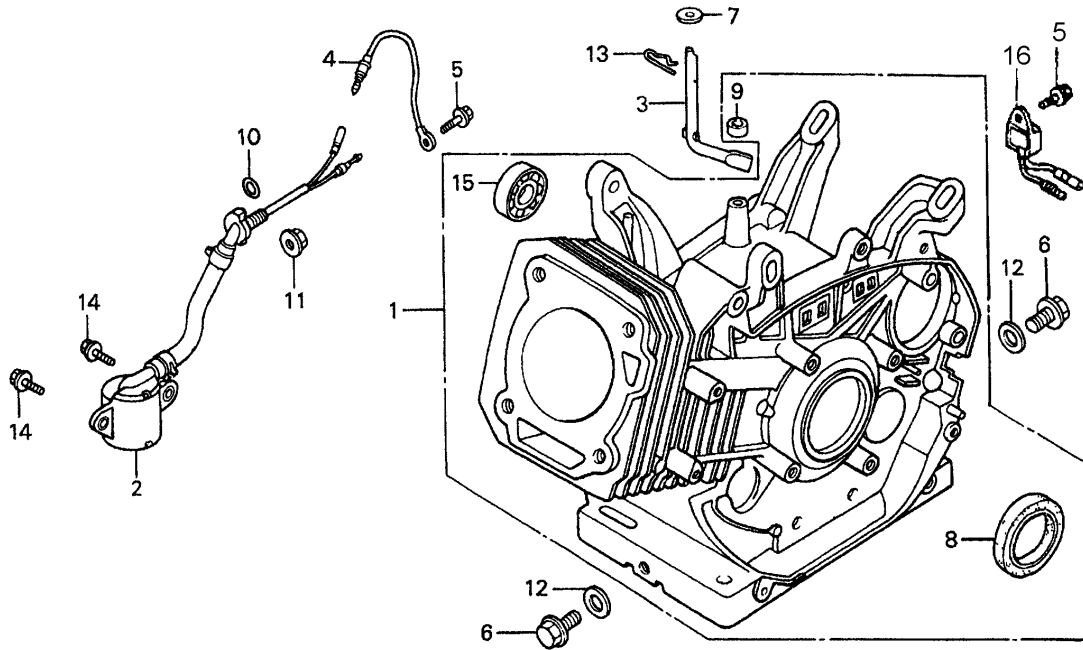
<u>NO.</u>	<u>PART NO.</u>	<u>PART NAME</u>	<u>QTY.</u>	<u>REMARKS</u>
1◆	13310ZE3701	CRANKSHAFT COMP.....	1.....	INCLUDES ITEM W/#
1◇	13310ZE3702	CRANKSHAFT COMP.....	1.....	INCLUDES ITEM W/#
2	13351ZE3010	WEIGHT, BALANCER	1	
5#	961006207000	BEARING, RADIAL BALL (6207)	1	



◆GX340K1EDN2: Model GAC6HZR SEPT. 2007 AND BELOW

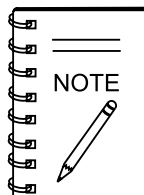
◇GX340U1EDN2: Model GAC6HZR JAN. 2008 AND ABOVE

# HONDA GX340K1/U1EDN2 ENGINE — CYLINDER BARREL ASSY.



## HONDA GX340K1/U1EDN2 ENGINE — CYLINDER BARREL ASSY.

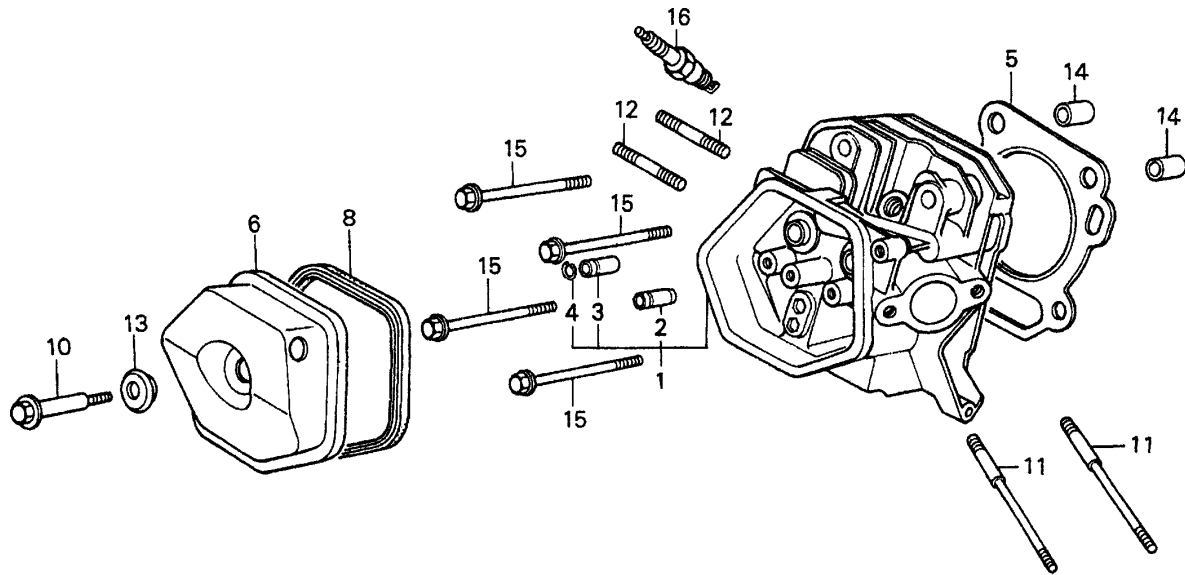
NO.	PART NO.	PART NAME	QTY.	REMARKS
1◆	12000ZE3817	CYLINDER ASSY. (ALERT) .....	1.....	INCLUDES ITEMS W/\$
1◇	12000ZE3416	CYLINDER ASSY. (ALERT) .....	1.....	INCLUDES ITEMS W/\$
2◆	15510ZE2043	SWITCH ASSY., OIL LEVEL	1	
2◇	15510ZE2043	SWITCH ASSY., OIL LEVEL.....	1.....	USE UP TO S/N 1131288
2◇	15510ZE2053	SWITCH ASSY., OIL LEVEL.....	1.....	USE FROM S/N 1131289
3	16541ZE3010	SHAFT, GOVERNOR ARM	1	
4	31161ZE2000	WIRE, GROUND	1	
5	90013883000	BOLT, FLANGE (6X12) (CT200)	1	
6	90131883000	BOLT, DRAIN PLUG	2	
7	90446KE1000	WASHER (8.2X17X0.8)	1	
8\$	91201ZE3004	OIL SEAL (35X52X8)	1	
9\$	91203952771	OIL SEAL (8X14X5)	1	
10	91353671004	O-RING (13.5X1.5) (ARAI)	1	
11	9405010000	NUT, FLANGE (10MM)	1	
12	9410912000	WASHER, DRAIN PLUG (12MM)	2	
13	9425110000	PIN, LOCK (10MM)	1	
14	957010601200	BOLT FLANGE (6X12)	2	
15\$	961006202000	BEARING, RADIAL BALL (6202)	1	
16	84150ZH7013	ALERT UNIT, OIL	1	



◆GX340K1EDN2: Model GAC6HZR SEPT. 2007 AND BELOW

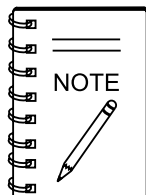
◇ GX340U1EDN2: Model GAC6HZR JAN. 2008 AND ABOVE

# HONDA GX340K1/U1EDN2 ENGINE — CYLINDER HEAD ASSY.



# HONDA GX340K1/U1EDN2 ENGINE — CYLINDER HEAD ASSY.

NO.	PART NO.	PART NAME	QTY.	REMARKS
1◆	12200ZF6W01	CYLINDER HEAD.....	1.....	INCLUDES ITEMS W/\$
1◇	12200ZF6W01	CYLINDER HEAD.....	1.....	INCLUDES ITEMS W/\$
2	12204ZE2306	GUIDE, VALVE (OS) (OPTIONAL)	1	
3\$	12205ZE2305	GUIDE, EX. VALVE (OS) (OPTIONAL)	1	
4\$	12216ZE2300	CLIP, VALVE GUIDE	1	
5	12251ZE3W00	GASKET, CYLINDER HEAD	1	
6	12310ZE2020	COVER, HEAD	1	
8	12391ZE2020	GASKET, CYLINDER HEAD COVER	1	
10	90014ZE2000	BOLT, HEAD COVER	1	
11	90042ZE3700	BOLT, STUD (8X106)	2	
12	92900080320E	BOLT 2, STUD (8X32)	2	
13	90441ZE2010	WASHER, HEAD COVER	1	
14	9430112200	PIN A, DOWEL (12X20)	2	
15	957011008000	BOLT, FLANGE (10X80)	4	
16	9807955846	SPARK PLUG (BPR5ES) (NGK) (OPTIONAL)	1	
16	9807955855	SPARK PLUG (W16EPR-U) (DENSO)	1	



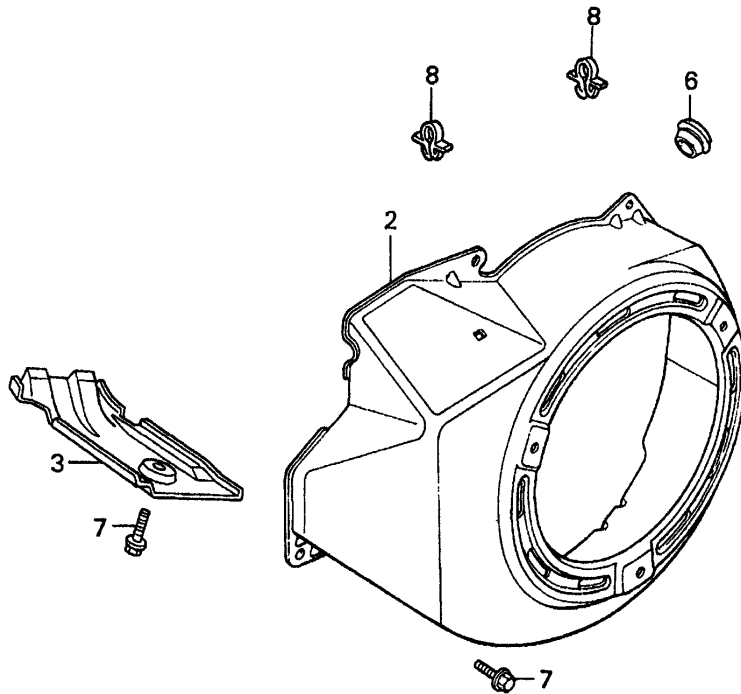
◆GX340K1EDN2: Model GAC6HZR SEPT. 2007 AND BELOW

◇GX340U1EDN2: Model GAC6HZR JAN. 2008 AND ABOVE



# HONDA GX340K1/U1EDN2 ENGINE — FAN ASSY.

---



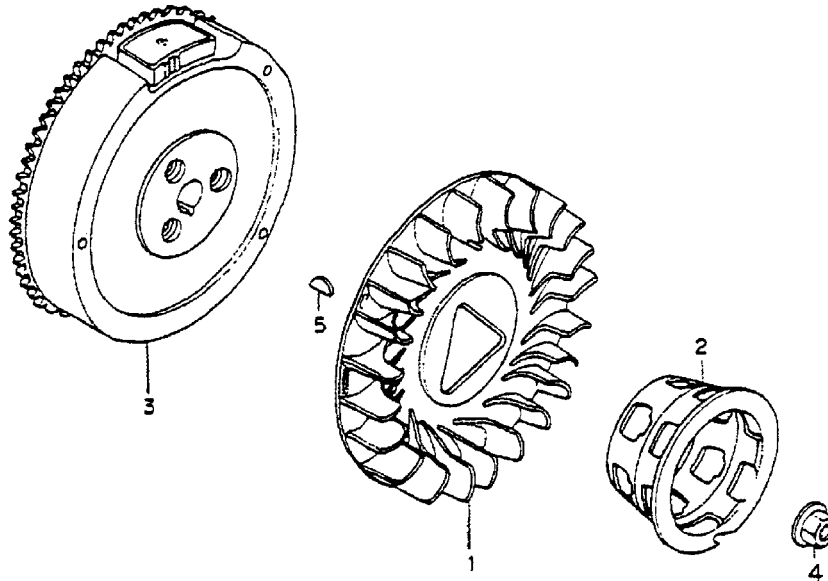
## HONDA GX340K1/U1EDN2 ENGINE — FAN ASSY.

---

<u>NO.</u>	<u>PART NO.</u>	<u>PART NAME</u>	<u>QTY.</u>	<u>REMARKS</u>
2	19610ZE3700ZB	COVER, FAN *NH1* (BLACK)	1	
3	19631ZE3W00	SHROUD	1	
6	81329567020	GROMMET, DRAIN HOLE	1	
7	90013883000	BOLT, FLANGE (6X12) (CT200)	6	
8	90654SA4003	CLIP, WIRE HARNESS (6MM) (WHITE)	2	

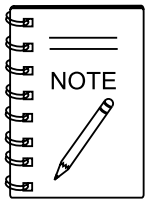
# HONDA GX340K1/U1EDN2 ENGINE — FLYWHEEL ASSY.

---



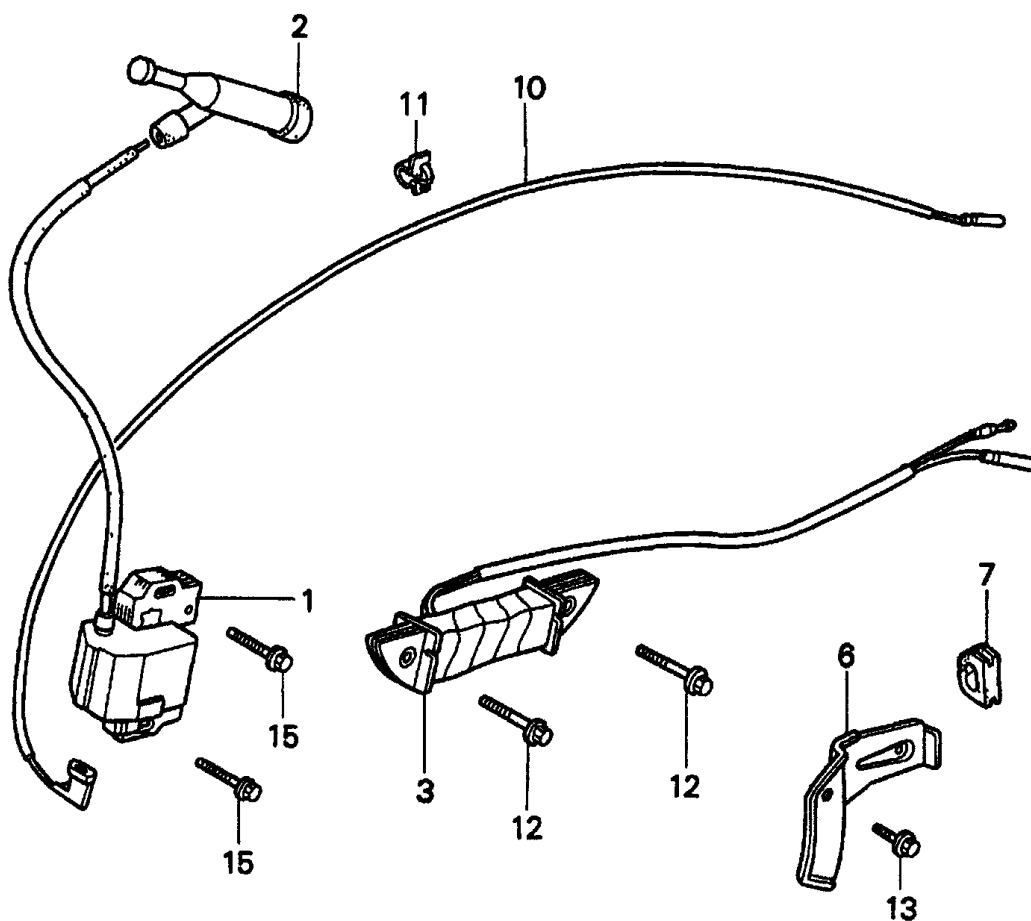
# HONDA GX340K1/U1EDN2 ENGINE — FLYWHEEL ASSY.

<u>NO.</u>	<u>PART NO.</u>	<u>PART NAME</u>	<u>QTY.</u>	<u>REMARKS</u>
1	19511ZE3000	FAN, COOLING	1	
2	28451ZE3W01	PULLEY, STARTER	1	
3	31100ZE3712	FLYWHEEL COMP., (LAMP)	1	
4◆	90201ZE3790	NUT, SPECIAL 16MM.....	1.....	USE UP TO S/N 2536522
4◆	90201ZE3V00	NUT, SPECIAL 16MM.....	1.....	USE FROM S/N 2536523
4◇	90201ZE3V00	NUT, SPECIAL 16MM.....	1.....	USE UP TO S/N 1096184
4◇	90201ZE3790	NUT, SPECIAL 16MM.....	1.....	USE FROM S/N 1096185
5	90741ZE2000	KEY, SPECIAL WOODRUFF (25X18)	1	



- ◆GX340K1EDN2: Model GAC6HZR SEPT. 2007 AND BELOW
- ◇GX340U1EDN2: Model GAC6HZR JAN. 2008 AND ABOVE

# HONDA GX340K1/U1EDN2 ENGINE — IGNITION COIL ASSY.



# HONDA GX340K1/U1EDN2 ENGINE — IGNITION COIL ASSY.

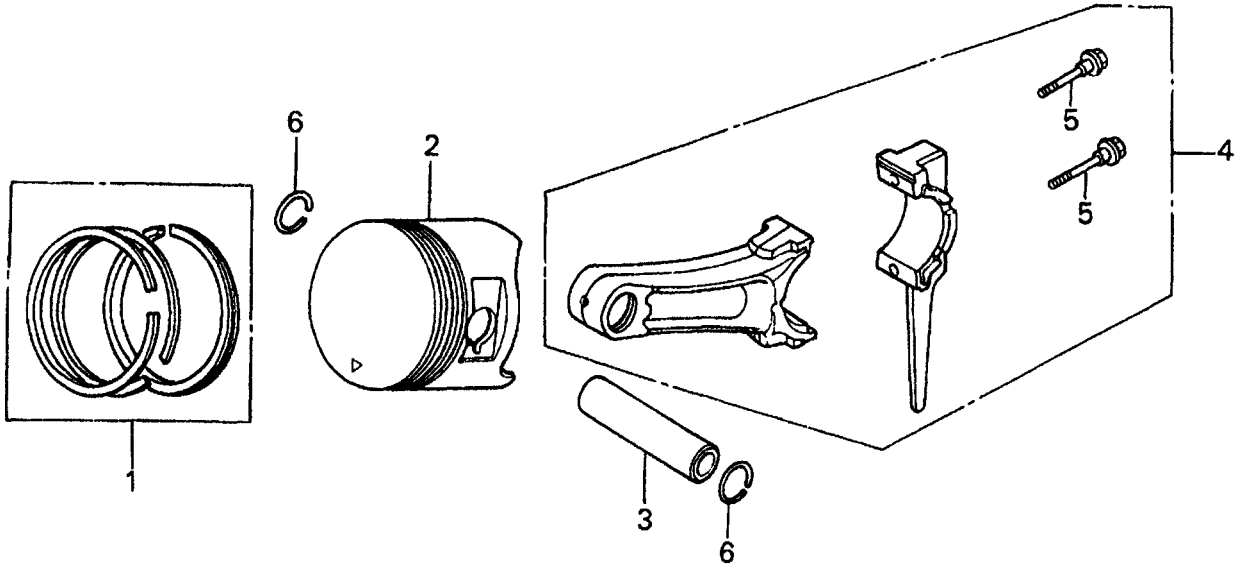
<u>NO.</u>	<u>PART NO.</u>	<u>PART NAME</u>	<u>QTY.</u>	<u>REMARKS</u>
1◆	30500ZE2023	COIL ASSY., IGNITION	1	
1◇	30500ZF6W03	COIL ASSY., IGNITION	1	
2	30700ZE1013	CAP ASSY., NOISE SUPPRESSOR	1	
3	31510ZE1811	COIL ASSY., LAMP (12V/25W)	1	
3	31510ZE3003	COIL ASSY., LAMP (12V/25W)	1	
6	31511ZE3000	CLAMP, WIRE	1	
7	31512ZE2000	GROMMET, WIRE	1	
10	36101ZE3800	WIRE, STOP SWITCH (470MM)	1	
11	36103ZE1000	HOLDER, STOP SWITCH WIRE	1	
12	90012888000	BOLT, FLANGE (6X40)	4	
13	90013883000	BOLT, FLANGE (6X12) (CT200)	1	
15	90015883000	BOLT, FLANGE (6X28)	2	



◆GX340K1EDN2: Model GAC6HZR SEPT. 2007 AND BELOW

◇GX340U1EDN2: Model GAC6HZR JAN. 2008 AND ABOVE

# HONDA GX340K1/U1EDN2 ENGINE — PISTON ASSY.



## HONDA GX340K1/U1EDN2 ENGINE — PISTON ASSY.

NO.	PART NO.	PART NAME	QTY.	REMARKS
1◆	13010ZE3003	RING SET, PISTON (STD)	1	
1◇	13010Z5L004	RING SET, PISTON (STD)	1	
1◆	13011ZE3003	RING SET, PISTON (OS 0.25) (OPTIONAL)	1	
1◇	13011ZE5L004	RING SET, PISTON (OS 0.25) (OPTIONAL)	1	
1◆	13012ZE3003	RING SET, PISTON (OS 0.50) (OPTIONAL)	1	
1◇	13012ZE5L004	RING SET, PISTON (OS 0.50) (OPTIONAL)	1	
1◆	13013ZE3003	RING SET, PISTON (0.75) (OPTIONAL)	1	
1◇	13013ZE5L004	RING SET, PISTON (0.75) (OPTIONAL)	1	
2◆	13101ZE3W00	PISTON (STD)	1	
2◆	13102ZE3W00	PISTON (0.25)	1	
2◆	13103ZE3W00	PISTON (0.50)	1	
2◆	13104ZE3W00	PISTON (0.75)	1	
2◇	13101ZE3W01	PISTON (STD)	1	
2◇	13102ZE3W01	PISTON (0.25)	1	
2◇	13103ZE3W01	PISTON (0.50)	1	
2◇	13104ZE3W01	PISTON (0.75)	1	
3	13111ZF6000	PIN, PISTON	1	
4	13200ZE3020	ROD ASSY., CONNECTING (STD) .....	1	INCLUDES ITEMS W/\$
5\$	90001ZE8000	BOLT, CONNECTING ROD	2	
6	90601ZE3000	CLIP, PISTON PIN (20MM)	2	

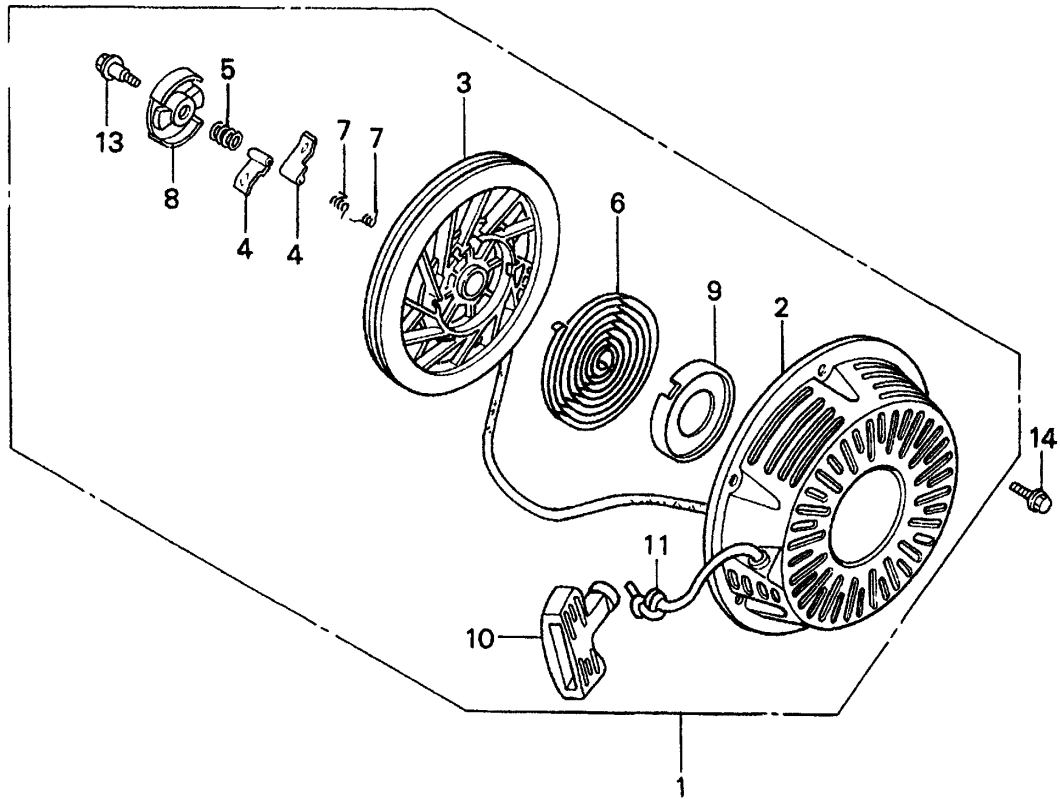


◆GX340K1EDN2: Model GAC6HZR SEPT. 2007 AND BELOW

◇GX340U1EDN2: Model GAC6HZR JAN. 2008 AND ABOVE

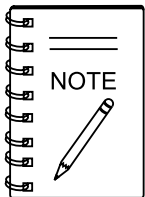


# HONDA GX340K1/U1EDN2 ENGINE — RECOIL STARTER ASSY.



# HONDA GX340K1/U1EDN2 ENGINE — RECOIL STARTER ASSY.

NO.	PART NO.	PART NAME	QTY.	REMARKS
1	28400ZE3W01ZB	STARTER ASSY., RECOIL *NH1* (BLACK)	1	INCLUDES ITEMS W/\$
2\$	28410ZE3W01ZB	CASE, RECOIL STARTER *NH1* (BLACK)	1	
3\$	28421ZE3W01	PULLEY, RECOIL STARTER	1	
4\$	28422ZE2W01	RATCHET, STARTER	2	
5\$	28441ZE2W01	SPRING, FRICTION	1	
6\$	28442ZE2W01	SPRING, STARTER RETURN	1	
7\$	28443ZE2W01	SPRING, RATCHET	2	
8\$	28444ZE2W01	RETAINER, SPRING	1	
9♦\$	28445ZE2W01	HOLDER, SPRING	1	
10♦\$	28461ZE2W01	GRIP, STARTER	1	USE UP TO S/N 2935312
10♦\$	28461ZE2W02	GRIP, STARTER	1	USE FROM S/N 2935313
10◇\$	28461ZE2W02	GRIP, STARTER	1	USE UP TO S/N 1194769
10◇\$	28461ZE2W03	GRIP, STARTER	1	USE FROM S/N 1194770
11\$	28462ZE3W01	ROPE, RECOIL STARTER	1	
13\$	90004ZE2W01	SCREW, CENTER	1	
14	90008ZE2003	BOLT, FLANGE (6X10)	3	

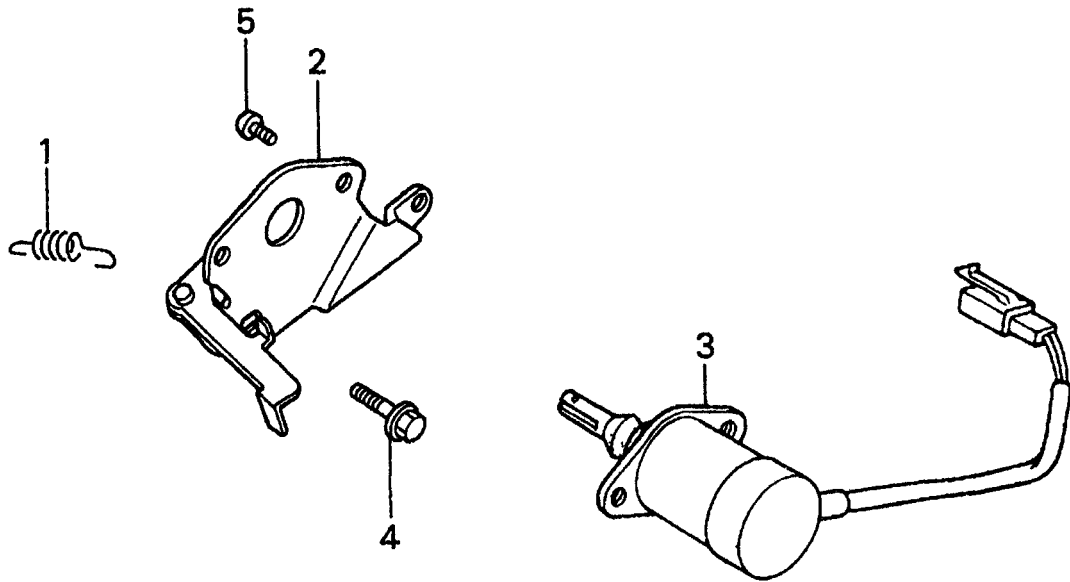


♦GX340K1EDN2: Model GAC6HZR SEPT. 2007 AND BELOW

◇ GX340U1EDN2: Model GAC6HZR JAN. 2008 AND ABOVE

# HONDA GX340K1/U1EDN2 ENGINE — SOLENOID ASSY.

---



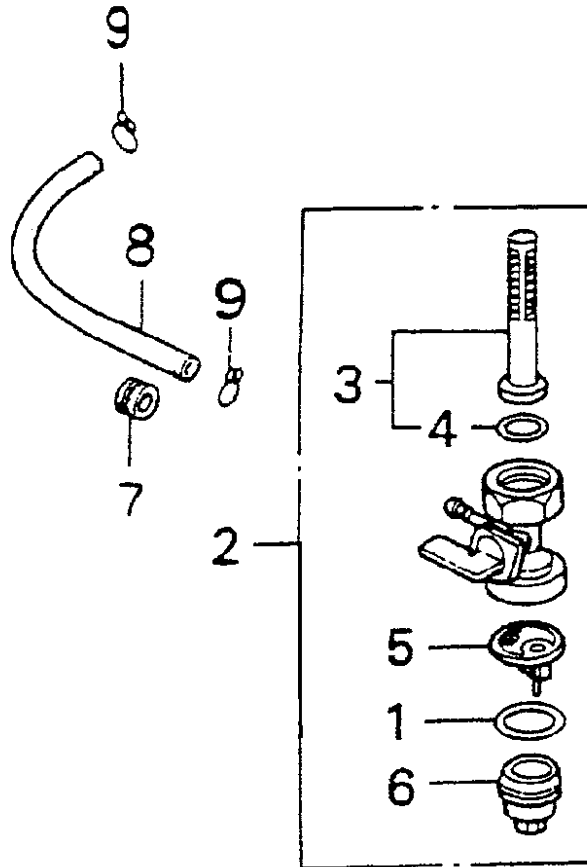
# HONDA GX340K1/U1EDN2 ENGINE — SOLENOID ASSY.

<u>NO.</u>	<u>PART NO.</u>	<u>PART NAME</u>	<u>QTY.</u>	<u>REMARKS</u>
1	16268893000	SPRING, CHOKE RETURN	1	
2	17850ZD1E30	LEVER, THROTTLE	1	
3◆	36160ZB4003	SOLENOID ASSY.	1	
3◇	36160ZB4003	SOLENOID ASSY.....	1.....	USE UP TO S/N 1135653
3◇	36160ZB4013	SOLENOID ASSY.....	1.....	USE FROM S/N 1135654
4	90013883000	BOLT, FLANGE (6X12) (CT200)	1	
5	93500050080A	SCREW, PAN (5X8)	2	



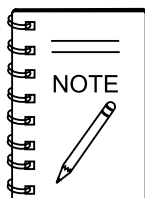
- ◆GX340K1EDN2: Model GAC6HZR SEPT. 2007 AND BELOW
- ◇GX340U1EDN2: Model GAC6HZR JAN. 2008 AND ABOVE

# HONDA GX340K1/U1EDN2 ENGINE — FUEL COCK ASSY.



## HONDA GX340K1/U1EDN2 ENGINE — FUEL COCK ASSY.

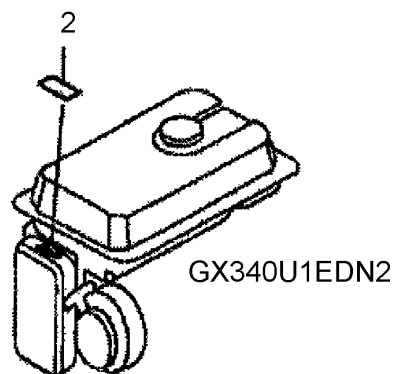
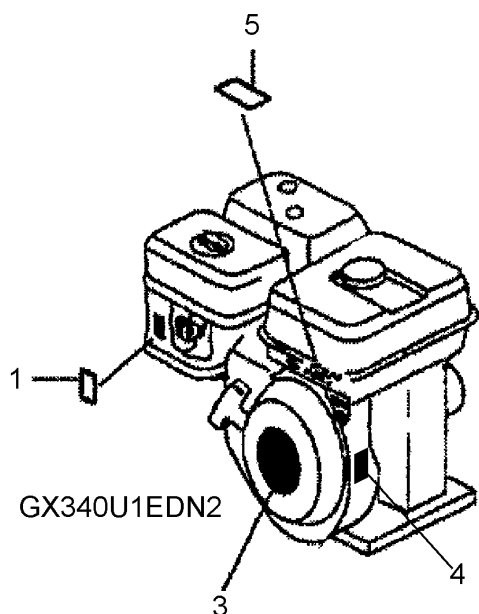
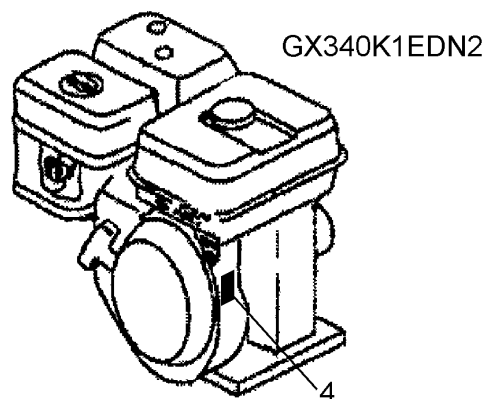
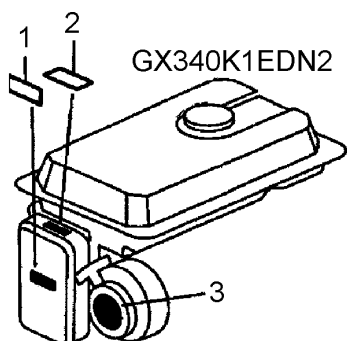
<u>NO.</u>	<u>PART NO.</u>	<u>PART NAME</u>	<u>QTY.</u>	<u>REMARKS</u>
1#	16173001004	PACKING, FUEL STRAINER CUP	1	
2	16950ZB4015	COCK ASSY., FUEL .....	1	INCLUDES ITEMS W/#
3#	16952ZB4005	SCREEN, FUEL STRAINER.....	1	INCLUDES ITEMS W/%
4#%	16958397771	O-RING	1	
5#	16959471831	FILTER CUP	1	
6#	16967GA6671	CUP, FUEL STRAINER	1	
7	90854ZB2000	RUBBER, FUEL (9X15X10)	1	
8	950014519040	TUBE, FUEL, 4.5X190	1	
9◆	9500202080	CLIP B8, TUBE	2	
9◇	950024080008	CLAMP D8, TUBE	2	



◆GX340K1EDN2: Model GAC6HZR SEPT. 2007 AND BELOW

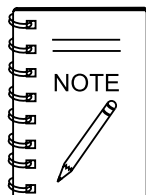
◇GX340U1EDN2: Model GAC6HZR JAN. 2008 AND ABOVE

# HONDA GX340K1/U1EDN2— ENGINE DECALS ASSY.



## HONDA GX340K1/U1EDN2— ENGINE DECALS ASSY.

<u>NO.</u>	<u>PART NO.</u>	<u>PART NAME</u>	<u>QTY.</u>	<u>REMARKS</u>
1	87533ZC0630	DECAL, AIR CLEANER	1	
2◆	87528898620	DECAL, CHOKE	1	
2◇	87528ZH7000	DECAL, CHOKE (GRAY)	1	
2◇	87528898620	DECAL, CHOKE .....	1.....	USE FROM S/N 1100778
3◆	87521ZE2W02	EMBLEM (GX240 HONDA 8.0)	1	
3◇	87521ZE2W03	EMBLEM (GX240 HONDA 8.0) .....	1.....	USE UP TO S/N 1129743
3◇	87521ZE2W04	EMBLEM (GX240) .....	1.....	USE FROM S/N 1129744
4	87594ZB4A00	MARK, OIL CAUTION	1	
5◇	87516ZH7000	MARK OPERATOR CAUTION (ENGLISH).....	1.....	USE UP TO S/N 1194625
5◇	87516ZH7010	MARK OPERATOR CAUTION (ENGLISH).....	1.....	USE FROM S/N 1194626
5◇	87516ZH7800	MARK OPERATOR CAUTION (FRENCH).....	1.....	USE UP TO S/N 1194625
5◇	87519ZH7801	MARK OPERATOR CAUTION (FRENCH).....	1.....	USE FROM S/N 1194626

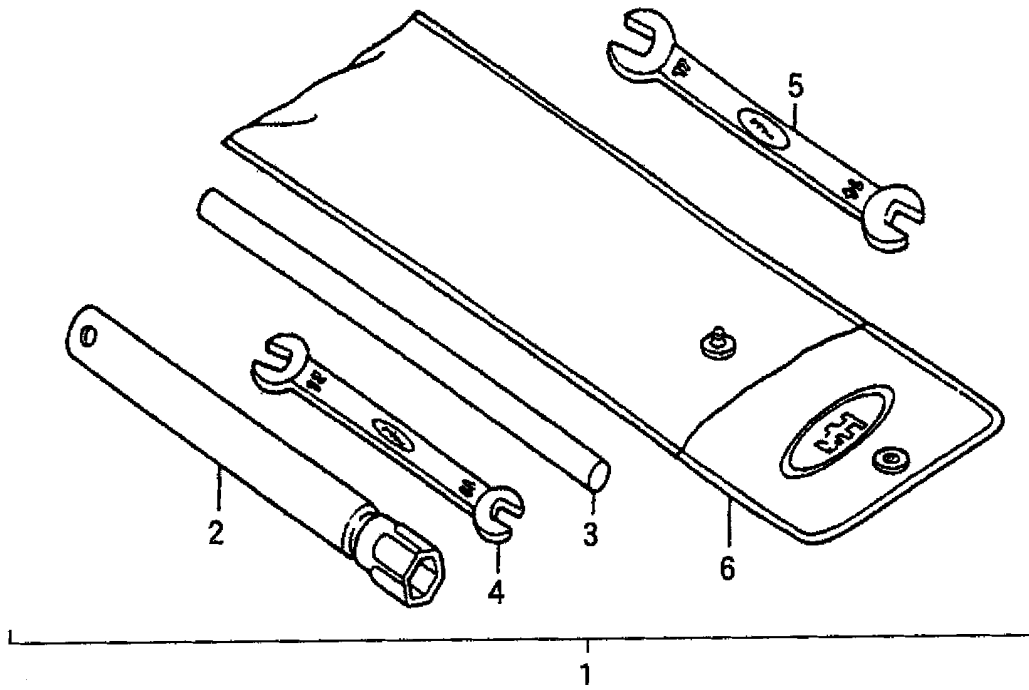


◆GX340K1EDN2: Model GAC6HZR SEPT. 2007 AND BELOW

◇GX340U1EDN2: Model GAC6HZR JAN. 2008 AND ABOVE



# HONDA GX340K1/U1EDN2 ENGINE — TOOL KIT



## HONDA GX340K1/U1EDN2 ENGINE — TOOL KIT

---

<u>NO.</u>	<u>PART NO.</u>	<u>PART NAME</u>	<u>QTY.</u>	<u>REMARKS</u>
1	89000ZE1000	TOOL KIT.....	1.....	INCLUDES ITEMS W/#
2#	89218ZE1000	WRENCH COMP. (SPARK PLUG)	1	
3#	89219805000	HANDLE, BOX WRENCH	1	
4#	9900110120	SAPNNER, 10X12	1	
5#	9900114170	SAPNNER, 14X17	1	
6#	9900802300	BAG TOOL	1	

# TERMS AND CONDITIONS OF SALE — PARTS

## PAYMENT TERMS

Terms of payment for parts are net 30 days.

## FREIGHT POLICY

All parts orders will be shipped collect or prepaid with the charges added to the invoice. All shipments are F.O.B. point of origin. Multiquip's responsibility ceases when a signed manifest has been obtained from the carrier, and any claim for shortage or damage must be settled between the consignee and the carrier.

## MINIMUM ORDER

The minimum charge for orders from Multiquip is \$15.00 net. Customers will be asked for instructions regarding handling of orders not meeting this requirement.

## RETURNED GOODS POLICY

Return shipments will be accepted and credit will be allowed, subject to the following provisions:

1. A Returned Material Authorization must be approved by Multiquip prior to shipment.
2. To obtain a Return Material Authorization, a list must be provided to Multiquip Parts Sales that defines item numbers, quantities, and descriptions of the items to be returned.
  - a. The parts numbers and descriptions must match the current parts price list.
  - b. The list must be typed or computer generated.
  - c. The list must state the reason(s) for the return.
  - d. The list must reference the sales order(s) or invoice(s) under which the items were originally purchased.
  - e. The list must include the name and phone number of the person requesting the RMA.
3. A copy of the Return Material Authorization must accompany the return shipment.
4. Freight is at the sender's expense. All parts must be returned freight prepaid to Multiquip's designated receiving point.

5. Parts must be in new and resalable condition, in the original Multiquip package (if any), and with Multiquip part numbers clearly marked.
6. The following items are not returnable:
  - a. Obsolete parts. (If an item is in the price book and shows as being replaced by another item, it is obsolete.)
  - b. Any parts with a limited shelf life (such as gaskets, seals, "O" rings, and other rubber parts) that were purchased more than six months prior to the return date.
  - c. Any line item with an extended dealer net price of less than \$5.00.
  - d. Special order items.
  - e. Electrical components.
  - f. Paint, chemicals, and lubricants.
  - g. Decals and paper products.
  - h. Items purchased in kits.
7. The sender will be notified of any material received that is not acceptable.
8. Such material will be held for five working days from notification, pending instructions. If a reply is not received within five days, the material will be returned to the sender at his expense.
9. Credit on returned parts will be issued at dealer net price at time of the original purchase, less a 15% restocking charge.
10. In cases where an item is accepted, for which the original purchase document can not be determined, the price will be based on the list price that was effective twelve months prior to the RMA date.
11. Credit issued will be applied to future purchases only.

## PRICING AND REBATES

Prices are subject to change without prior notice. Price changes are effective on a specific date and all orders received on or after that date will be billed at the revised price. Rebates for price declines and added charges for price increases will not be made for stock on hand at the time of any price change.

Multiquip reserves the right to quote and sell direct to Government agencies, and to Original Equipment Manufacturer accounts who use our products as integral parts of their own products.

## SPECIAL EXPEDITING SERVICE

A \$35.00 surcharge will be added to the invoice for special handling including bus shipments, insured parcel post or in cases where Multiquip must personally deliver the parts to the carrier.

## LIMITATIONS OF SELLER'S LIABILITY

Multiquip shall not be liable hereunder for damages in excess of the purchase price of the item with respect to which damages are claimed, and in no event shall Multiquip be liable for loss of profit or good will or for any other special, consequential or incidental damages.

## LIMITATION OF WARRANTIES

No warranties, express or implied, are made in connection with the sale of parts or trade accessories nor as to any engine not manufactured by Multiquip. Such warranties made in connection with the sale of new, complete units are made exclusively by a statement of warranty packaged with such units, and Multiquip neither assumes nor authorizes any person to assume for it any other obligation or liability whatever in connection with the sale of its products. Apart from such written statement of warranty, there are no warranties, express, implied or statutory, which extend beyond the description of the products on the face hereof.

Effective: February 22, 2006



# OPERATION AND PARTS MANUAL

## HERE'S HOW TO GET HELP

PLEASE HAVE THE MODEL AND SERIAL  
NUMBER ON-HAND WHEN CALLING

### **UNITED STATES**

#### ***Multiquip Corporate Office***

18910 Wilmington Ave.      Tel. (800) 421-1244  
Carson, CA 90746      Fax (800) 537-3927  
Contact: mq@multiquip.com

#### ***Mayco Parts***

800-306-2926      Fax: 800-672-7877  
310-537-3700      Fax: 310-637-3284

#### ***Service Department***

800-421-1244      Fax: 310-537-4259  
310-537-3700

#### ***MQ Parts Department***

800-427-1244      Fax: 800-672-7877  
310-537-3700      Fax: 310-637-3284

#### ***Warranty Department***

800-421-1244, Ext. 279      Fax: 310-537-1173  
310-537-3700, Ext. 279

#### ***Technical Assistance***

800-478-1244      Fax: 310-631-5032

### **MEXICO**

#### ***MQ Cipsa***

Carr. Fed. Mexico-Puebla KM 126.5      Tel: (52) 222-225-9900  
Momoxpan, Cholula, Puebla 72760 Mexico      Fax: (52) 222-285-0420  
Contact: pmastretta@cipsa.com.mx

### **CANADA**

#### ***Multiquip***

4110 Industriel Boul.      Tel: (450) 625-2244  
Laval, Quebec, Canada H7L 6V3      Tel: (877) 963-4411  
Contact: jmartin@multiquip.com      Fax: (450) 625-8664

### **UNITED KINGDOM**

#### ***Multiquip (UK) Limited Head Office***

Unit 2, Northpoint Industrial Estate,      Tel: 0161 339 2223  
Global Lane,      Fax: 0161 339 3226  
Dukinfield, Cheshire SK16 4UJ  
Contact: sales@multiquip.co.uk

© COPYRIGHT 2010, MULTIQUIP INC.

Multiquip Inc and the MQ logo are registered trademarks of Multiquip Inc. and may not be used, reproduced, or altered without written permission. All other trademarks are the property of their respective owners and used with permission.

This manual MUST accompany the equipment at all times. This manual is considered a permanent part of the equipment and should remain with the unit if resold.

The information and specifications included in this publication were in effect at the time of approval for printing. Illustrations, descriptions, references and technical data contained in this manual are for guidance only and may not be considered as binding. Multiquip Inc. reserves the right to discontinue or change specifications, design or the information published in this publication at any time without notice and without incurring any obligations.

Your Local Dealer is:



## Free Manuals Download Website

<http://myh66.com>

<http://usermanuals.us>

<http://www.somanuals.com>

<http://www.4manuals.cc>

<http://www.manual-lib.com>

<http://www.404manual.com>

<http://www.luxmanual.com>

<http://aubethermostatmanual.com>

Golf course search by state

<http://golfingnear.com>

Email search by domain

<http://emailbydomain.com>

Auto manuals search

<http://auto.somanuals.com>

TV manuals search

<http://tv.somanuals.com>