

OPERATION AND PARTS MANUAL



MODEL GAC-9.7HZ PORTABLE GENERATOR (HONDA GX610 GASOLINE ENGINE)

Revision #2 (03/31/10)

To find the latest revision of this
publication, visit our website at:
www.multiquip.com



THIS MANUAL MUST ACCOMPANY THE EQUIPMENT AT ALL TIMES.

TABLE OF CONTENTS

GAC9.7HZ Portable 60 Hz Generator

Table Of Contents	2
Parts Ordering Procedures.....	3
Safety Information	4-8
Specifications (Generator).....	10
Specifications (Engine).....	11
Dimensions.....	12
Installation	14-15
General Information.....	16
Components (Generator).....	17-18
Inspection/Setup.....	19-21
Operation.....	22-24
Operation/Shutdown.....	24
Preparation For Long Term Storage	25
Maintenance	26-28
Generator Wiring Digram	29
Troubleshooting (Engine).....	30-31
Troubleshooting (Generator).....	32
Explanation of Code in Remarks Column	34
Suggested Spare Parts	35

Component Drawings

Nameplate and Decals Assembly.....	36-37
Generator Assembly	38-39
Control Box Assembly	40-41
Pipe Frame Assembly.....	42-43

Honda GX610K1VD/GX610U1VD Engines

Air Cleaner Assembly	44-45
Camshaft Assembly.....	46-47
Carburetor Assembly.....	48-51
Control Assembly	52-53
Crankcase Cover Assembly.....	54-55
Crankshaft Assembly.....	56-57
Cylinder Barrel Assembly	58-59
Cylinder Head Assembly	60-61
Fan Cover Assembly.....	62-63
Flywheel Assembly.....	64-65
Ignition Coil Assembly	66-67
Piston Assembly	68-69
Recoil Starter Assembly	70-71
Muffler Assembly	72-73
Auto Throttle Assembly.....	74-75
Starter Motor Assembly.....	76-77
Fuel Pump Assembly.....	78-79
Rectifier Assembly.....	80-81
Engine Decals Assembly.....	82-83
Tool Kit.....	84-85

Terms And Conditions Of Sale — Parts	86
--	----

NOTICE

Specifications and part numbers are subject to change without notice.

PARTS ORDERING PROCEDURES

Ordering parts has never been easier! Choose from three easy options:

Effective:
January 1st, 2006

www.multiquip.com



Order via Internet (Dealers Only):

Order parts on-line using Multiquip's SmartEquip website!

- View Parts Diagrams
- Order Parts
- Print Specification Information



If you have an MQ Account, to obtain a Username and Password, E-mail us at: parts@multiquip.com.

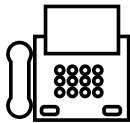
To obtain an MQ Account, contact your District Sales Manager for more information.

Goto www.multiquip.com and click on

Order Parts to log in and save!

Use the **internet** and qualify for a **5% Discount** on *Standard orders* for all orders which include complete part numbers.*

Note: Discounts Are Subject To Change



Order via Fax (Dealers Only):

All customers are welcome to order parts via Fax.

Domestic (US) Customers dial:
1-800-6-PARTS-7 (800-672-7877)

Fax your order in and qualify for a **2% Discount** on *Standard orders* for all orders which include complete part numbers.*

Note: Discounts Are Subject To Change



Order via Phone: Domestic (US) Dealers Call:
1-800-427-1244

Non-Dealer Customers:

Contact your local Multiquip Dealer for parts or call 800-427-1244 for help in locating a dealer near you.



International Customers should contact their local Multiquip Representatives for Parts Ordering information.

When ordering parts, please supply:

- | | |
|---|--|
| <input type="checkbox"/> Dealer Account Number | <input type="checkbox"/> Specify Preferred Method of Shipment: |
| <input type="checkbox"/> Dealer Name and Address | <input checked="" type="checkbox"/> UPS/Fed Ex <input checked="" type="checkbox"/> DHL |
| <input type="checkbox"/> Shipping Address (if different than billing address) | <input type="checkbox"/> Priority One <input checked="" type="checkbox"/> Truck |
| <input type="checkbox"/> Return Fax Number | <input type="checkbox"/> Ground |
| <input type="checkbox"/> Applicable Model Number | <input type="checkbox"/> Next Day |
| <input type="checkbox"/> Quantity, Part Number and Description of Each Part | <input type="checkbox"/> Second/Third Day |

NOTICE

All orders are treated as *Standard Orders* and will ship the same day if received prior to 3PM PST.

WE ACCEPT ALL MAJOR CREDIT CARDS!




SAFETY INFORMATION

Do not operate or service the equipment before reading the entire manual. Safety precautions should be followed at all times when operating this equipment. Failure to read and understand the safety messages and operating instructions could result in injury to yourself and others.


SAFETY MESSAGES

The four safety messages shown below will inform you about potential hazards that could injure you or others. The safety messages specifically address the level of exposure to the operator and are preceded by one of four words: **DANGER**, **WARNING**, **CAUTION** or **NOTICE**.


SAFETY SYMBOLS

 **DANGER**

Indicates a hazardous situation which, if not avoided, **WILL** result in **DEATH** or **SERIOUS INJURY**.

 **WARNING**

Indicates a hazardous situation which, if not avoided, **COULD** result in **DEATH** or **SERIOUS INJURY**.






 **CAUTION**

Indicates a hazardous situation which, if not avoided, **COULD** result in **MINOR** or **MODERATE INJURY**.

NOTICE

Addresses practices not related to personal injury.

Potential hazards associated with the operation of this equipment will be referenced with hazard symbols which may appear throughout this manual in conjunction with safety messages.

Symbol	Safety Hazard
	Lethal exhaust gas hazards
	Explosive fuel hazards
	Burn hazards
	Overspeed hazards
	Electric shock hazards


SAFETY INFORMATION

GENERAL SAFETY

CAUTION

- **NEVER** operate this equipment without proper protective clothing, shatterproof glasses, respiratory protection, hearing protection, steel-toed boots and other protective devices required by the job or city and state regulations.



- **NEVER** operate this equipment when not feeling well due to fatigue, illness or when under medication. 
- **NEVER** operate this equipment under the influence of drugs or alcohol.



- **ALWAYS** check the equipment for loosened threads or bolts before starting.
- **DO NOT** use the equipment for any purpose other than its intended purposes or applications.

NOTICE

- This equipment should only be operated by trained and qualified personnel 18 years of age and older.
- Whenever necessary, replace nameplate, operation and safety decals when they become difficult read.
- Manufacturer does not assume responsibility for any accident due to equipment modifications. Unauthorized equipment modification will void all warranties.

- **NEVER** use accessories or attachments that are not recommended by Multiquip for this equipment. Damage to the equipment and/or injury to user may result.

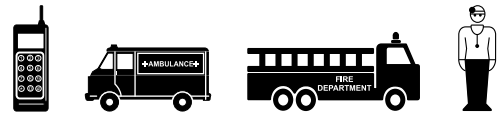
- **ALWAYS** know the location of the nearest **fire extinguisher**.



- **ALWAYS** know the location of the nearest **first aid kit**.



- **ALWAYS** know the location of the nearest phone or **keep a phone on the job site**. Also, know the phone numbers of the nearest **ambulance, doctor and fire department**. This information will be invaluable in the case of an emergency.



GENERATOR SAFETY

DANGER

- **NEVER** operate the equipment in an explosive atmosphere or near combustible materials. An explosion or fire could result causing severe **bodily harm or even death**.



WARNING

- **NEVER** disconnect any **emergency or safety devices**. These devices are intended for operator safety. Disconnection of these devices can cause severe injury, bodily harm or even death. Disconnection of any of these devices will void all warranties.

CAUTION

- **NEVER** lubricate components or attempt service on a running machine.

NOTICE

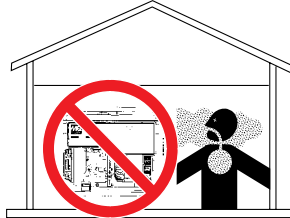
- **ALWAYS** ensure generator is on level ground before use.
- **ALWAYS** keep the machine in proper running condition.
- Fix damage to machine and replace any broken parts immediately.
- **ALWAYS** store equipment properly when it is not being used. Equipment should be stored in a clean, dry location out of the reach of children and unauthorized personnel

SAFETY INFORMATION

ENGINE SAFETY

DANGER

- The engine fuel exhaust gases contain poisonous carbon monoxide. This gas is colorless and odorless, and can cause death if inhaled.
- The engine of this equipment requires an adequate free flow of cooling air. **NEVER** operate this equipment in any enclosed or narrow area where free flow of the air is restricted. If the air flow is restricted it will cause injury to people and property and serious damage to the equipment or engine.



WARNING

- **NEVER** operate the engine with heat shields or guards removed.
- **DO NOT** remove the engine oil drain plug while the engine is hot. Hot oil will gush out of the engine crankcase and severely scald any persons in the general area of the generator.

CAUTION

- **NEVER** touch the hot exhaust manifold, muffler or cylinder. Allow these parts to cool before servicing equipment.



NOTICE

- **NEVER** run engine without an air filter or with a dirty air filter. Severe engine damage may occur. Service air filter frequently to prevent engine malfunction.
- **NEVER** tamper with the factory settings of the engine or engine governor. Damage to the engine or equipment can result if operating in speed ranges above the maximum allowable.
- State Health Safety Codes and Public Resources Codes specify that in certain locations, spark arresters must be used on internal combustion engines that use hydrocarbon fuels. A spark arrester is a device designed

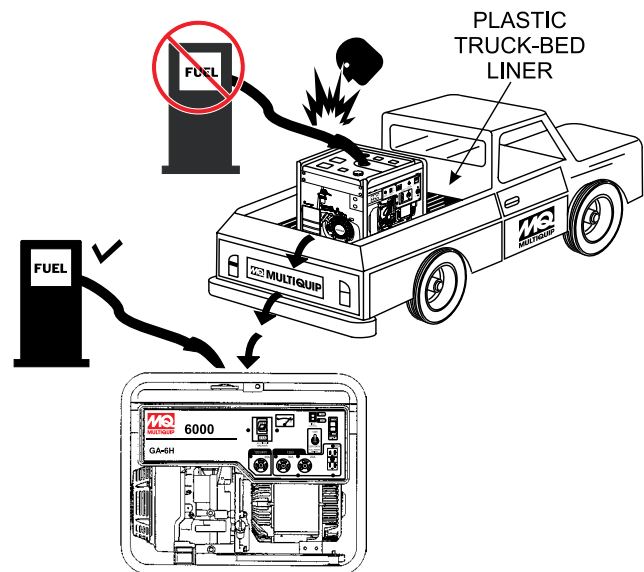


to prevent accidental discharge of sparks or flames from the engine exhaust. Spark arresters are qualified and rated by the United States Forest Service for this purpose. In order to comply with local laws regarding spark arresters, consult the engine distributor or the local Health and Safety Administrator.

FUEL SAFETY

DANGER

- **DO NOT** add fuel to equipment if it is placed inside truck bed with plastic liner. Possibility exists of explosion or fire due to static electricity.



- **DO NOT** start the engine near spilled fuel or combustible fluids. Diesel fuel is extremely flammable and its vapors can cause an explosion if ignited.
- **ALWAYS** refuel in a well-ventilated area, away from sparks and open flames.
- **ALWAYS** use extreme caution when working with **flammable** liquids.
- **DO NOT** fill the fuel tank while the engine is running or hot.
- **DO NOT** overfill tank, since spilled fuel could ignite if it comes into contact with hot engine parts or sparks from the ignition system.
- Store fuel in appropriate containers, in well-ventilated areas and away from sparks and flames.

SAFETY INFORMATION

- **NEVER** use fuel as a cleaning agent.
- **DO NOT** smoke around or near the equipment. Fire or explosion could result from fuel vapors or if fuel is spilled on a hot engine.



ELECTRICAL SAFETY

DANGER

- Turn generator and all circuit breakers **OFF** before performing maintenance on the generator or making contact with output receptacles.

- **NEVER** insert any objects into the output receptacles during operation. This is extremely dangerous. The possibility exists of **electrical shock, electrocution or death.**



- Backfeed to a utility system can cause **electrocution** and/or property damage. **NEVER** connect the generator to a building's electrical system without a transfer switch or other approved device. All installations should be performed by a **licensed electrician** in accordance with all applicable laws and electrical codes. Failure to do so could result in electrical shock or burn, causing **serious injury or even death.**



Power Cord/Cable Safety

DANGER

- **NEVER** let power cords or cables **lay in water.**
- **NEVER** stand in water while AC power from the generator is being transferred to a load.
- **NEVER** use **damaged** or **worn** cables or cords when connecting equipment to generator. Inspect for cuts in the insulation.
- **NEVER** grab or touch a live power cord or cable with wet hands. The possibility exists of **electrical shock, electrocution or death.**



- Make sure power cables are securely connected to the generator's output receptacles. Incorrect connections may cause electrical shock and damage to the generator.

NOTICE

- **ALWAYS** make certain that proper power or extension cord has been selected for the job. See Cable Selection Chart in this manual.

Grounding Safety

DANGER

- **ALWAYS** make sure that electrical circuits are properly grounded to a suitable earth ground (ground rod) per the National Electrical Code (NEC) and local codes before operating generator. **Severe injury or death by electrocution** can result from operating an ungrounded generator.

- **NEVER** use gas piping as an electrical ground.

BATTERY SAFETY (ELECTRIC START ONLY)

DANGER

- **DO NOT** drop the battery. There is a possibility that the battery will explode.
- **DO NOT** expose the battery to open flames, sparks, cigarettes, etc. The battery contains combustible gases and liquids. If these gases and liquids come into contact with a flame or spark, an explosion could occur.
- **DO NOT** charge battery if frozen. Battery can explode. When frozen, warm the battery to at least 61°F (16°C).



WARNING

- **ALWAYS** wear safety glasses when handling the battery to avoid eye irritation. The battery contains acids that can cause injury to the eyes and skin.
- Use well-insulated gloves when picking up the battery.
- **ALWAYS** keep the battery charged. If the battery is not charged, combustible gas will build up.
- **ALWAYS** recharge the battery in a well-ventilated environment to avoid the risk of a dangerous concentration of combustible gasses.



SAFETY INFORMATION

- If the battery liquid (dilute sulfuric acid) comes into contact with **clothing or skin**, rinse skin or clothing immediately with plenty of water.
- If the battery liquid (dilute sulfuric acid) comes into contact with **eyes**, rinse eyes immediately with plenty of water and contact the nearest doctor or hospital to seek medical attention.

CAUTION

- **ALWAYS** disconnect the **NEGATIVE battery terminal** before performing service on the generator.
- **ALWAYS** keep battery cables in good working condition. Repair or replace all worn cables.

TRANSPORTING SAFETY

CAUTION

- **NEVER** allow any person or animal to stand underneath the equipment while lifting.

NOTICE

- Before lifting, make sure that the equipment parts (lifting bail if equipped) are not damaged and screws are not loose or missing.
- Always make sure crane or lifting device has been properly secured to the lifting bail (hook) of the equipment.
- **ALWAYS** shutdown engine before transporting.
- **NEVER** lift the equipment while the engine is running.
- Tighten fuel tank cap securely and close fuel cock to prevent fuel from spilling.
- Use adequate lifting cable (wire or rope) of sufficient strength.
- Use one point suspension hook and lift straight upwards.
- **DO NOT** lift machine to unnecessary heights.
- **ALWAYS** tie down equipment during transport by securing the equipment with rope.

ENVIRONMENTAL SAFETY

NOTICE

- Dispose of hazardous waste properly. Examples of potentially hazardous waste are used motor oil, fuel and fuel filters.
- **DO NOT** use food or plastic containers to dispose of hazardous waste.
- **DO NOT** pour waste, oil or fuel directly onto the ground, down a drain or into any water source.



SPECIFICATIONS (GENERATOR)

Table 1. Specifications (Generator)		
AC Generator 60 Hz AC Power Source	Model	GAC9.7HZ
	Type	Brushless Revolving Field Type
	Excitation	Solid State, Statically Excited System
	Speed	3,600 RPM
	Cooling System	Self-Ventilation
	Max Power Output	9.7 kW
	Continuous Power Output	8.4 kW
	Rated Voltage	120/240V
	Current Max/Continuous (120V)	80.8/70 amps
	Current Max/Continuous (240V)	40.4/35 amps
	Phase	Single Phase (3 wire)
	Frequency	60 Hz
	Power Factor	1
Battery	12V CCA 230	
Dimensions (L x W x H)	31.49 x 21.25 X 27.55 in. (800 X 540 X 700 mm)	
Dry Net Weight	342 lbs. (155 kg.)	
Weight with Fuel	408 lbs. (185 kg.)	

NOTICE

In keeping with Multiquip's policy of constantly improving its products, the specifications quoted herein are subject to change without prior notice.

SPECIFICATIONS (ENGINE)

Table 2. Specifications (Engine)		
Engine	Model	HONDA GX610K1VD HONDA GX610U1VD
	Type	Air-cooled 4 stroke, Single Cylinder, OHV, Horizontal Shaft Gasoline Engine
	Bore X Stroke	3.03 in. X 2.59 in. (77 mm x 66 mm.)
	Displacement	37.46 cu-in (614 cm ³)
	Max Output	18.0 H.P./3600 R.P.M.
	Fuel	Unleaded Automobile Gasoline
	Fuel Capacity	10 gallons (38 liters)
	Lube Oil Capacity	1.90 quarts (1.8 liters)
	Oil Alert System	Yes
	Speed Control Method	Centrifugal Fly-weight Type
	Starting Method	Electric Start/Recoil
	Battery	12 Volt @ 35 Ah
Dimensions (L x W x H)		15.27 x 17.99 X 17.79 in. (388 X 457 X 452 mm)
Dry Net Weight		114.6 lbs. (42 kg.)

Effects of Altitude and Heat

The maximum output of the engines listed above are applicable to supplying electrical power for continuous service at ambient conditions in accordance with SAE Test cord J607. The above ambient conditions are at standard sea level, with a barometric reading of 29.92 inches and a temperature of 60° F (15.5° C).

Generally, the engine's output power will decrease 3-1/2% for each 1000 feet (305 meters) of altitude above sea level, and 1% for each 10° F (-12.2° C) above the standard temperature of 60° F (15.5° C).

DIMENSIONS

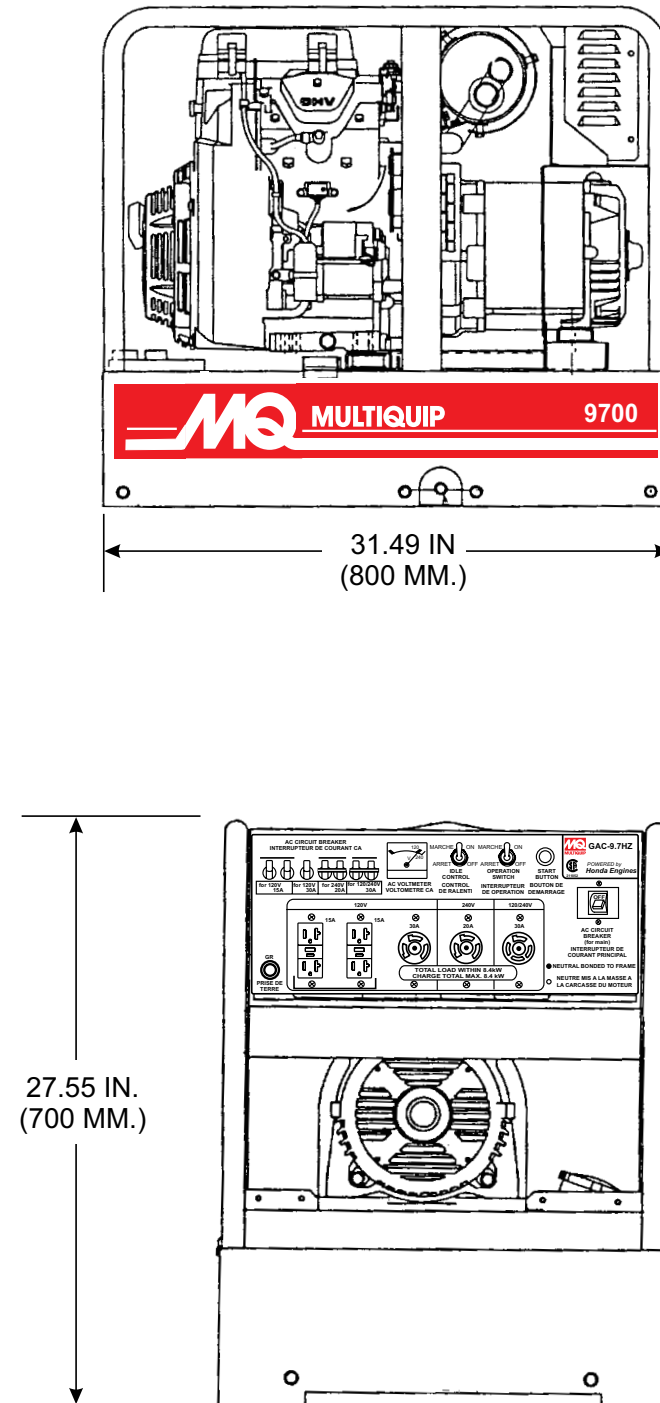


Figure 1. Dimensions

CONNECTING THE GROUND

The nut and ground terminal on the generator should always be used to connect the generator to a suitable ground. The ground cable should be #8 size wire minimum.

At the generator, connect the terminal of the ground cable between the lock washer and the nut (Figure 2) and tighten the nut fully. Connect the other end of the ground cable to a suitable earth ground (ground rod).

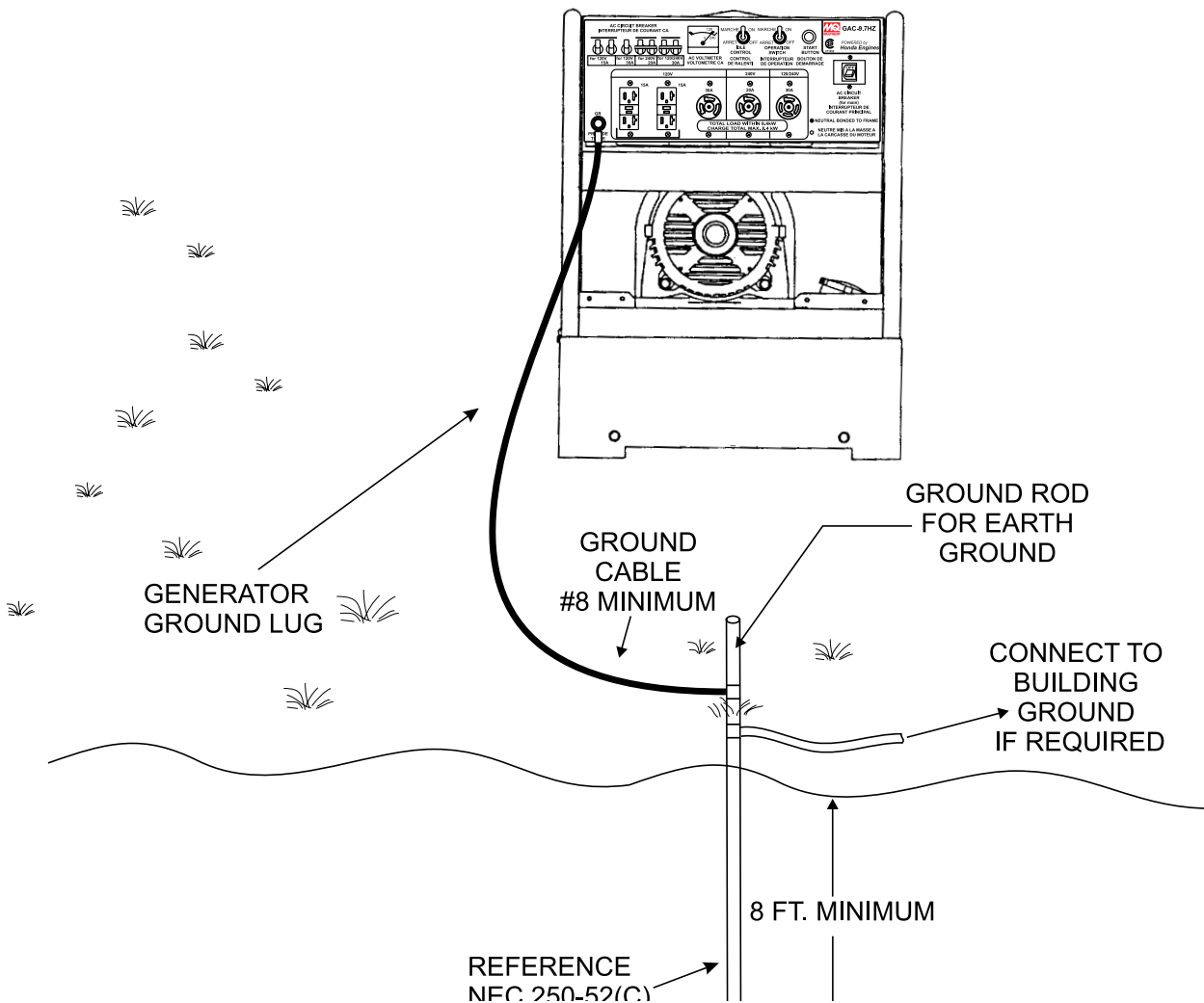



Figure 2. Generator Grounding


OUTDOOR INSTALLATION

If possible install the generator in a area that is free of debris, bystanders, and overhead obstructions. Make sure the generator is on secure level ground so that it cannot slide or shift around.

The installation site must be relatively free from moisture and dust. All electrical equipment should be protected from excessive moisture. Failure to do will result in deterioration of the insulation and will result in short circuits and grounding.

Foreign materials such as dust, sand, lint and abrasive materials have a tendency to cause excessive wear to engine and alternator parts.

 **WARNING**


 Pay close attention to ventilation when operating the generator inside tunnels and caves. The engine exhaust contains noxious elements. Engine exhaust must be routed to a ventilated area


INDOOR INSTALLATION

Exhaust gases from gas engines are extremely poisonous. Whenever an engine is installed indoors the exhaust fumes must be vented to the outside. The engine should be installed at least two feet from any outside wall. Using an exhaust pipe which is too long or too small can cause excessive back pressure which will cause the engine to heat excessively and possibly burn the valves.

PLACEMENT

The generator should always be placed on a flat level surface when it is running. **DO NOT** place the generator on slopes, the possibility exists that the generator could slide.

 **DANGER**

 An electric shock is apt to happen when vibrators are used. Pay close attention to handling when operating vibrators and always use rubber boots and gloves to insulate the body from a short circuit.

GENERATOR GROUNDING

To guard against electrical shock and possible damage to the equipment, it is important to provide a good **EARTH** ground.

Article 250 (Grounding) of the National Electrical Code (NEC) provides guide lines for proper grounding and specifies that the cable ground shall be connected to the grounding system of the building as close to the point of cable entry as practical.

NEC articles 250-64(b) and 250-66 set the following grounding requirements:

1. Use one of the following wire types to connect the generator to earth ground.
 - a. Copper - 10 AWG (5.3 mm²) or larger.
 - b. Aluminum - 8 AWG (8.4 mm²) or larger.
2. When grounding the generator (Figure 2) connect the ground cable between the lock washer and the nut on the generator and tighten the nut fully. Connect the other end of the ground cable to earth ground.
3. NEC article 250-52(c) specifies that the earth ground rod should be buried a minimum of 8 ft. into the ground.

NOTICE

When connecting the generator to any buildings electrical system **ALWAYS** consult with a licensed electrician.

FAMILIARIZATION

Generator

The Multiquip GAC9.7HZ generator is designed as a portable dual purpose power source for 60 Hz (single phase) lighting facilities, power tools, submersible pumps and other industrial and construction machinery.

The generator is mounted on rubber vibration isolators that have a steel base backplate which is attached to the protective steel pipe carrying frame. The protective carrying frame is made of steel tubing and fully wraps around the generator to protect against damage. See Figures 3, and 4 for the basic controls and indicators for the GAC9.7HZ generator.

This portable generator is supplied with a electrical control box. To reduce vibration caused by the engine, the control box is also placed on rubber isolators.

Control Box

The control box is provided with the following:

- 120/240V twist-lock output receptacle (single phase).
- 240V twist-lock receptacle (single phase).
- 120V GFCI single phase duplex output receptacle.
- 35 Amp Main Circuit Breaker (2-pole)
- Two 15 Amp GFCI Circuit Breakers (1-pole)
- 30 Amp Circuit Breaker (1-pole)
- 20 Amp Circuit Breaker (2-pole)
- 30 Amp Circuit Breaker (2-pole)
- AC Voltmeter
- Ground Terminal
- Idle Control Switch
- Operation Switch
- Start Switch

DANGER

Before connecting this generator to any building's electrical system, a licensed electrician must install an isolation (transfer) switch.

Serious injury or death may result without this transfer switch.

COMPONENTS (GENERATOR)

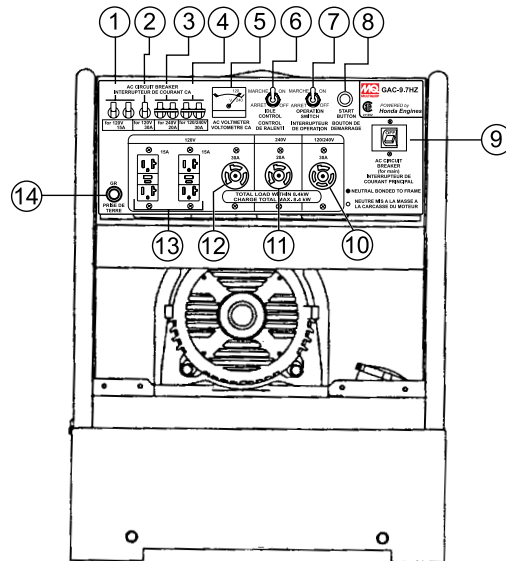


Figure 3. Generator Components

- GFCI Breakers (2)** – These single pole circuit breakers (120V, 15 amps) protect the GFCI receptacles. When starting the generator always have these circuit breakers placed in the "OFF" position.
- 30 Amp Breaker** – Single pole 30 amp circuit breaker protects the 120V twist-lock receptacle. When starting the generator always have this circuit breaker placed in the "OFF" position.
- 20 Amp Breaker** – 2-pole 20 amp circuit breaker protects the 240V twist-lock receptacle. When starting the generator always have this circuit breaker placed in the "OFF" position.
- 30 Amp Breaker** – 2-pole 30 amp circuit breaker protects the 120/240V twist-lock receptacle. When starting the generator always have this circuit breaker placed in the "OFF" position.
- AC-Voltmeter** – This voltmeter indicates (with a mark) the rated 60 Hz (single-phase) output voltage. In addition the voltmeter can also be used as a diagnostic tool. If the voltmeter indicator (needle) is below the rated voltage, engine problems may exist (low/high RPM's). To prevent damage to the generator or power tools turn the generator **OFF** and consult your authorized Multiquip service dealer.
- Idle Control Switch** – The generator is provided with an automatic idle control device for noise suppression and reduced fuel consumption.
- Operation Switch** – Place switch in the "ON" position (up) for normal operation. To turn-off the generator, place the operation switch in the "OFF" position (down).
- Start Button** – Press this pushbutton switch to start the generator.
- Main Breaker** – 2-pole 35 amp circuit breaker protects the generator from short circuiting or overloading. When starting the generator always have this circuit breaker placed in the "OFF" position.
- 120/240V Output Receptacle** – NEMA L14-30R twist-lock receptacle will provide 120/240V, 30 amps, 60 Hz.
- 240V Output Receptacle** – NEMA L6-20R twist-lock receptacle will provide 240V, 20 amps, 60 Hz.
- 120V Output Receptacle** – NEMA L5-30R twist-lock receptacle will provide 120V, 30 amps, 60 Hz.
- GFCI Duplex Receptacle** – NEMA 5-15R, GFCI receptacle will provide 120V, 15 amps.
- Ground Lug** – This ground connection point should be connect to a good earth ground (ground rod).

COMPONENTS (GENERATOR)

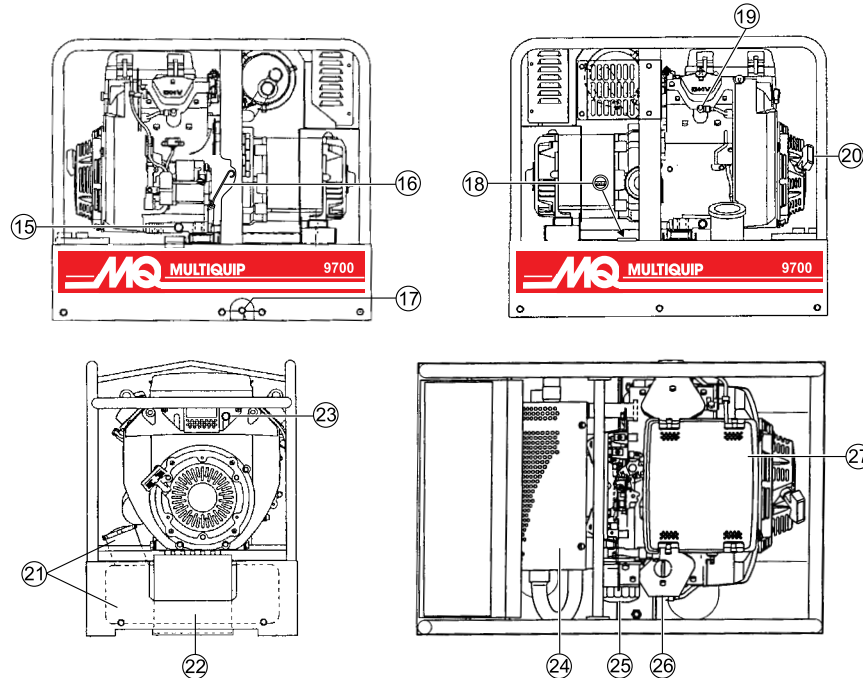


Figure 4. Generator Components (continued)

15. **Engine Oil Drain Plug** – Remove this drain plug when draining of the oil from the engine crankcase is required. Fill with recommended type oil as listed in Table 4
16. **Engine Oil Dipstick** – Remove oil dipstick to check engine oil level.
17. **Fuel Drain Plug** – Remove plug to drain fuel.
18. **Fuel Gauge** – This gauge is located on top of the fuel tank. Read this gauge to determine when fuel is low.
19. **Spark Plug** – Provides spark to the ignition system. Set spark plug gap to 0.6 - 0.7 mm (0.028 - 0.031 inch) Clean spark plug once a week.
20. **Recoil Starter (pull rope)** – Manual-starting method. Pull the starter grip until resistance is felt, then pull briskly and smoothly.
21. **Fuel Tank/Cap** – Remove fuel cap to add fresh unleaded fuel. Fuel tank capacity is 10 gallons (38 liters).
22. **Battery** – This generator is equipped with a 12 VDC battery. Replace with only recommended type battery.
23. **Choke Lever** – Used for starting the engine. Close the choke lever when starting a cold engine or in cold weather conditions. The choke enriches the fuel mixture. Open the choke lever if starting a warm engine or in warm weather conditions
24. **Muffler/Heat Shield** – Used to reduce noise and emissions. **NEVER** touch this heat shield when the generator/welder is in use. Always allow time for engine to cool before servicing.
25. **Oil Filter** – Replace oil filter as referenced in maintenance section of this manual.
26. **Engine Oil Filler Hole** – Remove cap when the adding of engine oil is required. See Table 4 for recommended type engine oil.
27. **Air Cleaner** – Prevents dirt and other debris from entering the fuel system. Release retaining clips on top of air filter cover to gain access to filter element. **NEVER** run the engine without an air cleaner.

NOTICE

This **HONDA** engine is equipped with a low oil shutdown capability. A built in sensor will automatically turn off the engine should the oil level fall below a safe operating condition. Make sure the generator is placed on level ground. Placing the generator on level ground will ensure that the low oil sensor will function properly.

GENERAL INSPECTION PRIOR TO OPERATION

Ground Power Tools

When using power tools or electrical equipment requiring AC power from the generator, make sure power tool cord has a ground pin or is double insulated as shown in Figure 5.

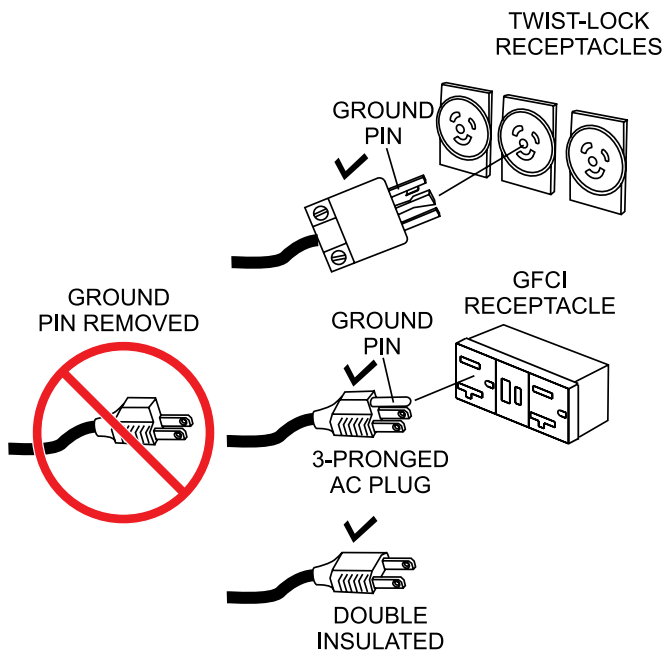


Figure 5. Ground Pin

NOTICE

Double-insulated power tools and small appliances have specially insulated housings that eliminate the need for a ground. These types of double-insulated power cords are designed so that no part of the device will be electrically live even if the internal insulation fails.

Extension Cable

When electric power is to be provided to various tools or loads at some distance from the generator, extension cords are normally used. Cables should be sized to allow for distance in length and amperage so that the voltage drop between the generator and point of use (load) is held to a minimum. Use the cable selection chart (Table 3) as a guide for selecting proper cable size.

⚠ DANGER

NEVER use power tools or equipment that do not have a ground capability, the possibility exists of electrocution, electrical shock or burn, which can cause severe bodily harm or even **DEATH!**

Circuit Breakers

ALWAYS place the *main*, *auxiliary* and *GFCI* circuit breakers in the **OFF** position prior to starting the engine.

Table 3. Cable Selection (60 Hz, Single Phase Operation)

Current In Amperes	Load In Watts		Maximum Allowable Cable Length			
	120 Volts	240 Volts	#10 Wire	#12 Wire	#14 Wire	#16 Wire
2.5	300	600	1000 ft.	600 ft.	375 ft.	250 ft.
5	600	1200	500 ft.	300 ft.	200 ft.	125 ft.
7.5	900	1800	350 ft.	200 ft.	125 ft.	100 ft.
10	1200	2400	250 ft.	150 ft.	100 ft.	
15	1800	3600	150 ft.	100 ft.	65 ft.	
20	2400	4800	125 ft.	75 ft.	50 ft.	

CAUTION: Equipment damage can result from low voltage.

Before Starting

1. Read safety instructions at the beginning of manual.
2. Clean the generator, removing dirt and dust, particularly the engine cooling air inlet, carburetor and air cleaner.
3. Check the air filter for dirt and dust. If air filter is dirty, replace air filter with a new one as required.
4. Check carburetor for external dirt and dust. Clean with dry compressed air.
5. Check fastening nuts and bolts for tightness

Engine Oil Check

1. To check the engine oil level, place the generator on secure level ground with the engine stopped.
2. Remove the dipstick from its holder (Figure 6) and wipe clean.

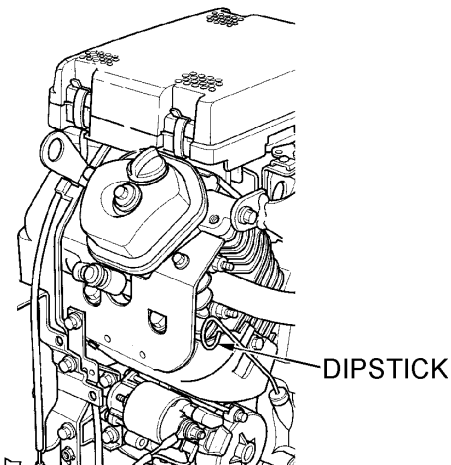


Figure 6. Engine Oil Dipstick Removal

3. Re-Insert dipstick (Figure 7), then remove dipstick from its holder. Check the oil level shown on the dipstick.

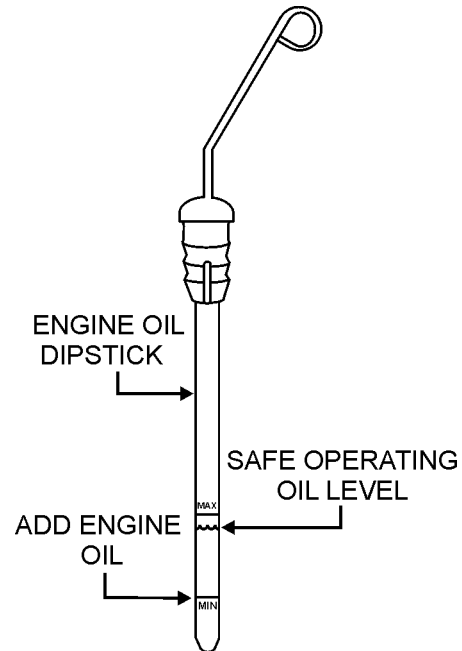


Figure 7. Engine Oil Dipstick

4. If the oil level is low, remove the oil filler cap (Figure 8) and fill to a safe operating level (max) as indicated by the dipstick. Fill with recommended type oil as listed in Table 4. Maximum oil capacity is 1.90 quarts (1.8 liters).

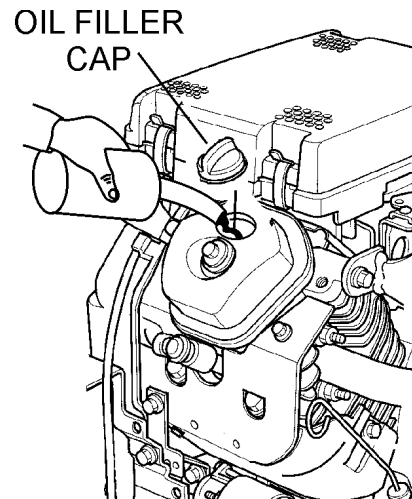


Figure 8. Engine Oil Filler Port

Table 4. Oil Type

Season	Temperature	Oil Type
Summer	25°C or Higher	SAE 10W-30
Spring/Fall	25°C~10°C	SAE 10W-30/20
Winter	0°C or Lower	SAE 10W-10

Fuel Check

1. Close the fuel cock before filling the fuel tank.
2. Remove the fuel cap located on top of fuel tank.
3. Read the fuel gauge located on top of the fuel tank (Figure 9) to determine if the fuel level is low. If fuel is low, replenish with clean unleaded fuel.

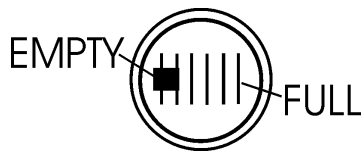


Figure 9. Fuel Gauge

4. When refueling, be sure to use a strainer for filtration. **DO NOT** top-off fuel. **DO NOT** fill the tank beyond capacity. Wipe up any spilled fuel *immediately!*

Battery Check

ALWAYS be sure the battery cables (Figure 10) are properly connected to the battery terminals as shown below. The **red cable** is connected to the positive terminal of the battery, and the **black cable** is connected to the negative terminal of the battery.

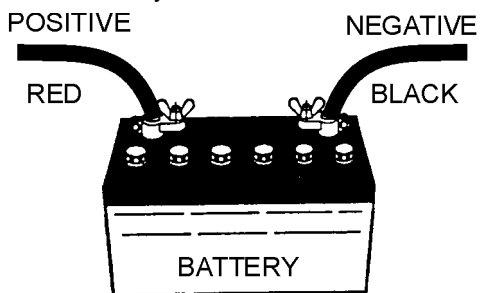


Figure 10. Battery Connections

OPERATION

This section is intended to assist the operator with the initial start-up of the portable generator. It is extremely important that this section be read carefully before attempting to use the generator in the field.

Before Starting the Engine

1. Be sure to disconnect all electrical loads from the generator prior to starting the engine.
2. **NEVER** start the engine with the main circuit breaker in the **ON** position. Always place circuit breaker (Figure 11) in the **OFF** position before starting.

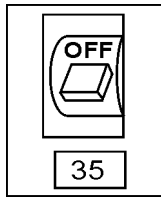


Figure 11. Main Circuit Breaker (OFF)

3. **NEVER** start the engine with the **GFCI** or **AUX.** circuit breakers in the **ON** position. Always place these circuit breakers (Figure 12) in the **OFF** position before starting the engine.

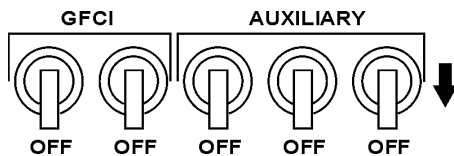


Figure 12. GFCI/AUX. Circuit Breakers (OFF)

Starting the Engine

4. Place the choke knob (Figure 13) in the **CLOSED** position if starting a cold engine.

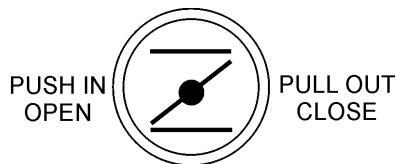


Figure 13. Choke Knob

5. Place the choke knob (Figure 13) in the **OPEN** position if starting a warm engine or the temperature is warm.

6. Place the generator's operation switch (Figure 14) in the **ON** position.

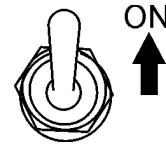


Figure 14. Operation Switch (ON)

7. Press the generator's pushbutton start switch (Figure 15) and listen for the engine to start. If the battery is not installed proceed to step 6.



Figure 15. Start Pushbutton Switch

8. Grasp the starter grip (Figure 16) and slowly pull it out. The resistance becomes the hardest at a certain position, corresponding to the compression point. Pull the starter grip briskly and smoothly for starting.

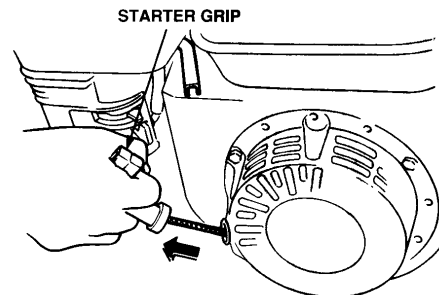


Figure 16. Starter Grip

NOTICE

DO NOT pull the starter rope all the way to the end.

DO NOT release the starter rope after pulling. Allow it to rewind as soon as possible..

9. If the engine has started, slowly return the choke lever (Figure 13) to the **OPEN** position. If the engine has not started repeat steps 1 through 8.
10. Before the generator is placed into operation, run the engine for 3-5 minutes. Check for abnormal smells, fuel leaks, and noises that would associate with lose components.

OPERATION

11. Place idle control switch (Figure 17) in the **OFF** (down) position. This will allow the engine speed to run at about 3600 RPM's.

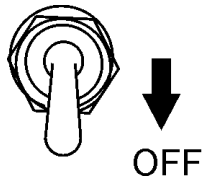


Figure 17. Idle Control Switch (OFF)

NOTICE

Placing the idle control switch in the **OFF** position (Figure 17) allows the engine to operate at a maximum speed of about 3600 RPM's.

When the idle control switch (Figure 18) is placed in the up position (**ON**), the generator will run at idle speed (2200 RPM's) until a load is applied, at that time the engine speed will increase to 3600 RPM's as long as a load is being applied.

When the load is not in use, the engine speed will drop back to the idle mode after about 3 seconds.

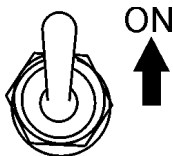


Figure 18. Idle Control switch (ON)

12. Place main circuit breaker (Figure 19) in the **ON** position.

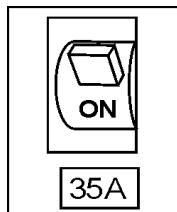


Figure 19. Main Circuit Breaker (ON)

13. Place **GFCI** and **AUX.** circuit breakers (Figure 20) in the **ON** position.

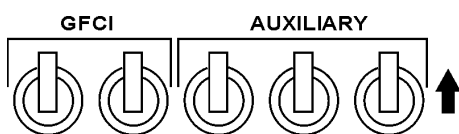


Figure 20. GFCI/AUX. Circuit Breakers (ON)

14. Read voltmeter on front panel of generator (Figure 21) and verify that 120 VAC is displayed. Using an external voltmeter as shown in Figure 21, verify that 120 VAC is present at the 120V twist-lock and GFCI duplex receptacles..

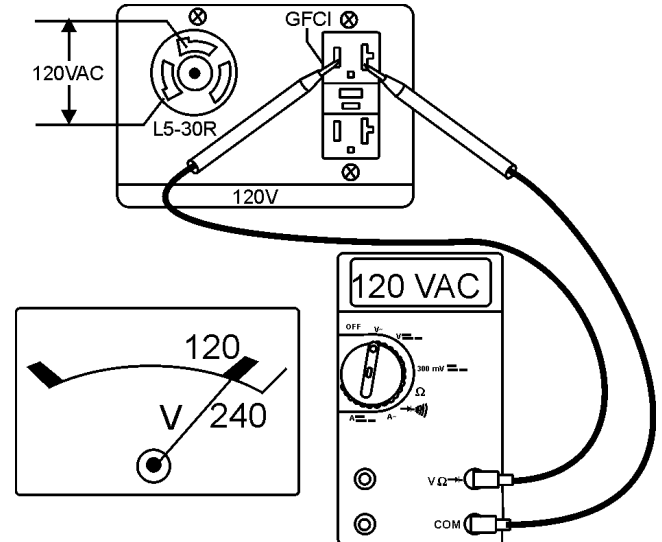


Figure 21. 120V GFCI/AUX. Receptacles

15. Read voltmeter on front panel of generator (Figure 22) and verify that 240 VAC is displayed. Using an external voltmeter as shown in Figure 22, verify that 240 VAC is present at the 240V twist-lock receptacle.

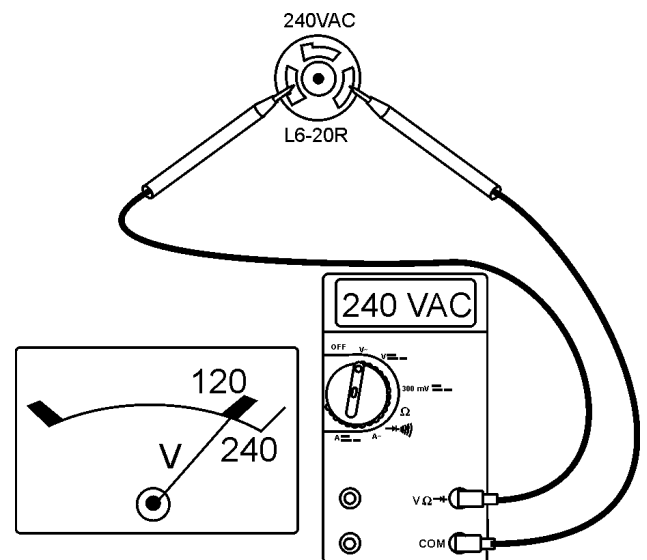


Figure 22. 240V Receptacle

OPERATION/SHUTDOWN

NOTICE

When using a combination of dual receptacles, total load should not exceed the rated capacity of the generator.

16. The L14-30R receptacle is a dual voltage receptacle (120-240 volts). Reference Figures 23 and 24 to verify voltages at this receptacle.

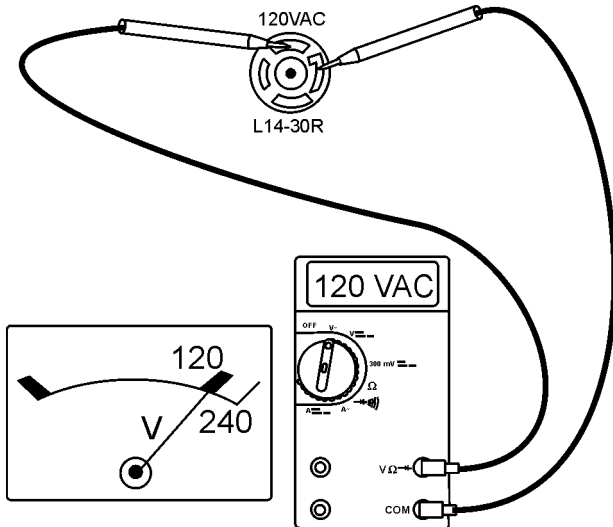


Figure 23. 120/240V Receptacle (120V)

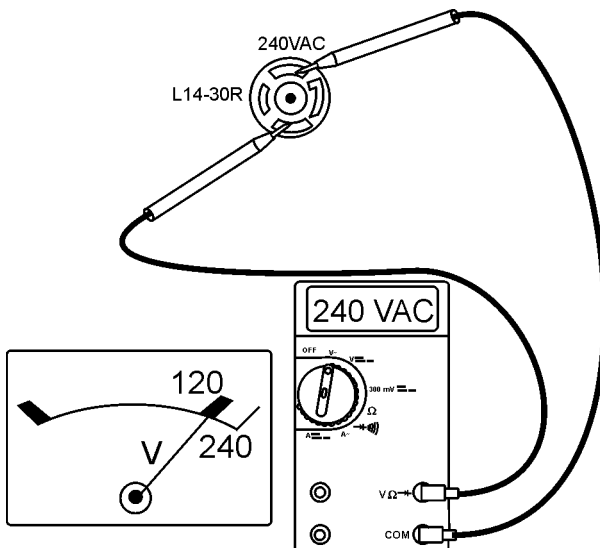


Figure 24. 120/240V Receptacle (240V)

17. Connecting of loads (power tools, lighting ect.) to the generator receptacles can now be done.

Stopping the Engine (Normal Shutdown)

1. Place **main** circuit breaker (Figure 25) in the **OFF** position.

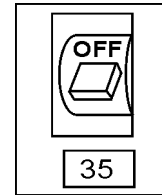


Figure 25. Main Circuit Breaker (OFF)

2. Place **GFCI** and **AUX.** circuit breakers (Figure 26) in the **OFF** position.

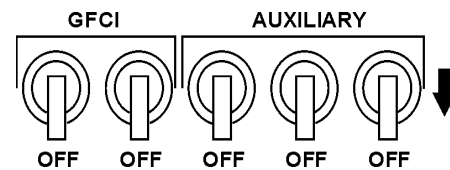


Figure 26. GFCI/AUX. Circuit Breakers (OFF)

3. Place idle control switch (Figure 27) in the **OFF** position.



Figure 27. Idle Control switch (OFF)

4. Let engine run at idle with no load for 2-3 minutes.
5. To shut-down the engine, place the generator's operation switch (Figure 28) in the **OFF** position.

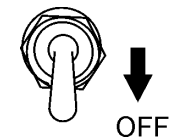


Figure 28. Operation Switch (OFF)

6. Remove all loads from the generator.

Emergency Shutdown

1. Place operation switch (Figure 28) in the **OFF** position.

PREPARATION FOR LONG TERM STORAGE

Generator Storage

For storage of the generating set for over 30 days, the following is required:

- Drain the fuel tank completely, or add STA-BIL to the fuel.
- Run the engine until the gasoline in the carburetor is completely consumed.
- Completely drain the oil from the crankcase and refill with fresh oil.
- Remove the spark plug, pour 2 or 3 cc of SAE 30 oil into the cylinder and crank slowly to distribute the oil.
- Slowly rotate the engine a few times with the starter rope and install a new plug.
- Pull out the starter rope slowly and stop at the compression point.
- Clean all external parts of the generating set with a cloth.
- Cover the generating set and store in a clean, dry place.

MAINTENANCE

Use Table 5 as a general maintenance guideline when servicing your engine. For more detail engine maintenance information, refer to the engine owner's manual supplied with your engine.

Table 5. Engine Maintenance Schedule							
DESCRIPTION (3)	OPERATION	BEFORE	FIRST MONTH OR 10 HRS.	EVERY 3 MONTHS OR 25 HRS.	EVERY 6 MONTHS OR 50 HRS.	EVERY YEAR OR 100 HRS.	EVERY 2 YEARS OR 200 HRS.
Engine Oil	CHECK	X					
	CHANGE						
Air Cleaner	CHECK	X	X				
	CHANGE			X (1)			
All Nuts & Bolts	RETIGHTEN IF NECESSARY	X					
Spark Plug	CHANGE				X		
	REPLACE						X
Cooling Fins	CHECK				X		
Spark Arrester	CLEAN					X	
Fuel Tank	CLEAN					X	
Fuel Filter	CHECK					X	
Idle Speed	CHECK-ADJUST					X (2)	
Valve Clearance	CHECK-ADJUST						X (2)
Fuel lines	CHECK	Every 2 years, replace if necessary (2)					

(1) Service more frequently when used in **DUSTY** areas.

(2) These items should be serviced by your service dealer, unless you have the proper tools and are mechanically proficient. Refer to the HONDA Shop Manual for service procedures.

(3) For commercial use, log hours of operation to determine proper maintenance intervals.

Maintenance

Perform the scheduled maintenance procedures as defined by Table 5 and below:

Daily

- Thoroughly remove dirt and oil from the engine and control area. Clean or replace the air cleaner elements as necessary. Check and retighten all fasteners as necessary.

Weekly

- Remove the fuel filter cap and clean the inside of the fuel tank.
- Remove or clean the filter at the bottom of the tank.
- Remove and clean the spark plug (Figure 29), then adjust the spark gap to 0.024 ~0.028 inch (0.6~0.7 mm). This unit has electronic ignition, which requires no adjustments.

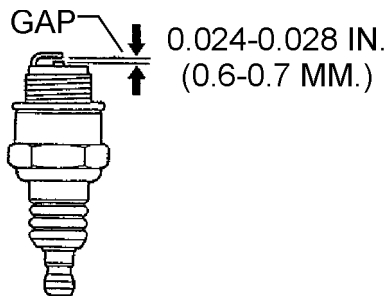


Figure 29. Spark Plug Gap

Engine Oil and Filter

- Drain engine oil when the oil is warm as shown in Figure 30.
- Remove oil drain bolt and sealing washer and allow engine oil to drain into a suitable container.

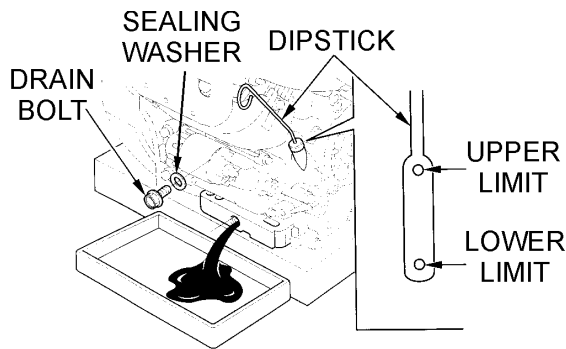


Figure 30. Draining Engine Oil

- Use an oil filter socket tool and remove oil filter as shown in Figure 31

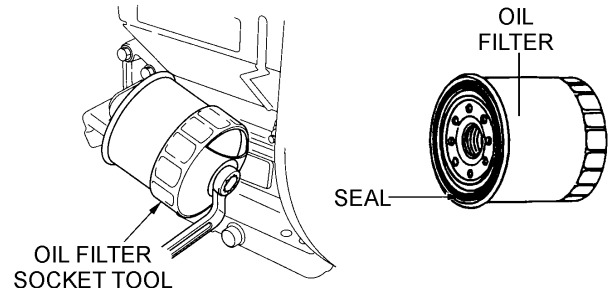



Figure 31. Oil Filter Removal

- Clean oil filter mounting base, and coat oil filter seal (Figure 31) with clean engine oil.
- Screw on new oil filter by hand until seal contacts the filter mounting base. Using an oil filter socket tool, tighten filter and additional 7/8-inch turn. Tighten filter to 16ft-lbs. (22 N·m).
- Install drain bolt with sealing washer and tighten securely.
- Replace engine oil with recommended type oil as listed in Table 4. For engine oil capacity, see Table 2 (engine specifications). Fill to upper limit as shown in Figure 30.

Engine Air Cleaner

! DANGER

DO NOT use gasoline as a cleaning solvent, the possibility exists of fire or explosion which can cause damage to the equipment and severe bodily harm or even **DEATH!**



1. Remove the air cleaner cover and foam filter element as shown in Figure 32.
2. Tap the paper filter element (Figure 32) several times on a hard surface to remove dirt, or blow compressed air [not exceeding 30 psi (207 kPa, 2.1 kgf/cm²)] through the filter element from the air cleaner case side. **NEVER** brush off dirt. Brushing will force dirt into the fibers. Replace the paper filter element if it is excessively dirty.
3. Clean foam element in warm, soapy water or nonflammable solvent. Rinse and dry thoroughly. Dip the element in clean engine oil and completely squeeze out the excess oil from the element before installing.

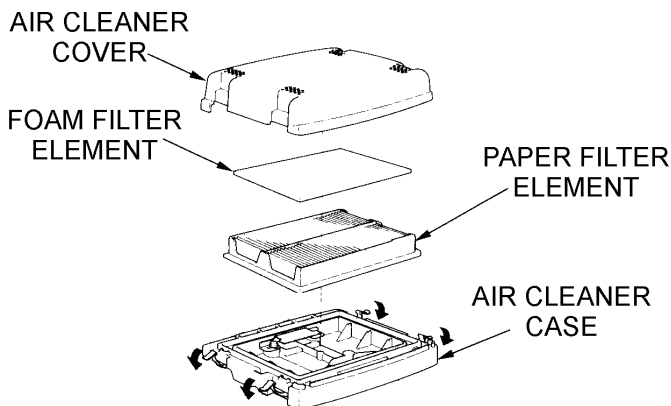
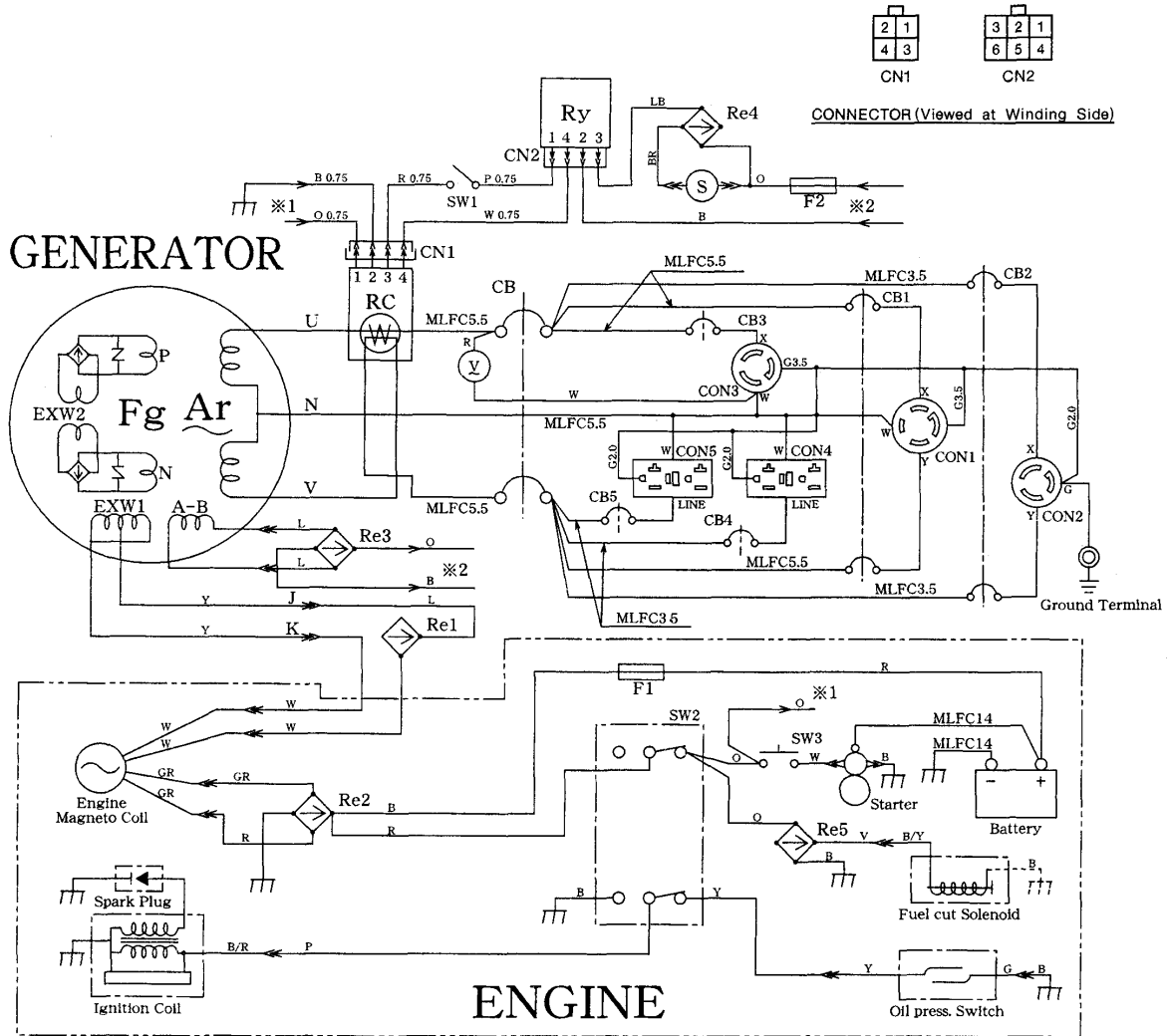


Figure 32. Engine Air Cleaner

GENERATOR WIRING DIGRAM



SYMBOL	PART NAME
Ar	Armature Winding
Fg	Field Winding
EXW1-2	Excitation Winding
V	AC Voltmeter (120/240)
Re1-5	Rectifier
CON1	Receptacle L14-30R
CON2	Receptacle L6-20R
CON3	Receptacle L5-30R
CON4-5	Receptacle 5-15R
CB	UPM-2 35A
CB1	CP-32E/30N 30A
CB2	CP-32E/20N 20A
CB3	CP31E/30N 30A
CB4-5	CP-31E/15N 15A
SW1	Idle Control Switch
SW2	Operation Switch
SW3	Starter Switch
RC	Idle Control Device
S	Idle Control Solenoid
RY	Relay
F1-F2	Fuse
GR	Ground Terminal T-3830
C	Capacitor

Wiring Color Code			
Symbol	Color	Symbol	Color
B	BLACK	R	RED
L	BLUE	W	WHITE
BR	BROWN	Y	YELLOW
G	GREEN	LB	LIGHT BLUE
GR	GRAY	LG	LIGHT GREEN
V	VIOLET	O	ORANGE
P	PINK		

Figure 33. Generator Wiring Diagram (GAC9.7HZ)

TROUBLESHOOTING (ENGINE)

Table 6. Engine Troubleshooting

Symptom	Possible Cause	Solution
Difficult to start. Fuel is available but no SPARK at spark plug.	Spark plug bridging?	Check gap, insulation or replace spark plug.
	Carbon deposit on spark plug?	Clean or replace spark plug.
	Short circuit due to deficient spark plug insulation?	Check spark plug insulation. Replace if worn.
	Improper spark plug gap?	Set to proper gap.
Difficult to start. Fuel is available and SPARK is present at the spark plug.	ON/OFF switch is shorted?	Check switch wiring. Replace switch.
	Ignition coil defective?	Replace ignition coil.
	Improper spark gap, points dirty?	Set correct spark gap and clean points.
	Condenser insulation worn or short circuiting?	Replace condenser.
	Spark plug wire broken or short circuiting?	Replace defective spark plug wiring.
Difficult to start. Fuel is available, SPARK is present at the spark plug and compression is normal.	Wrong fuel type?	Flush fuel system and replace with correct type of fuel.
	Water or dust in fuel system?	Flush fuel system.
	Air cleaner dirty?	Clean or replace air cleaner.
Difficult to start. Fuel is available, SPARK is present at the spark plug and compression is low.	Suction/exhaust valve stuck or protruded?	Reseat valves.
	Piston ring and/or cylinder worn?	Replace piston rings or piston.
	Cylinder head and/or spark plug not tightened properly?	Torque cylinder head bolts and spark plug.
	Head gasket and/or spark plug gasket damaged?	Replace head and spark plug gaskets.
No fuel present at carburetor.	Fuel not available in fuel tank?	Fill with correct type of fuel.
	Fuel cock does not open properly?	Apply lubricant to loosen fuel cock lever. Replace if necessary.
	Fuel filter clogged?	Replace fuel filter.
	Fuel tank cap breather hole clogged?	Clean or replace fuel tank cap.
	Air in fuel line?	Bleed fuel line
Weak in power. Compression is proper and does not misfire.	Air cleaner dirty?	Clean or replace air cleaner.
	Improper level in carburetor?	Check float adjustment. Rebuild carburetor.
	Defective spark plug?	Clean or replace spark plug.

TROUBLESHOOTING (ENGINE)

Table 6. Engine Troubleshooting (Continued)

Symptom	Possible Cause	Solution
Weak in power. Compression is proper but misfires.	Water in fuel system?	Flush fuel system and replace with correct type of fuel.
	Dirty spark plug?	Clean or replace spark plug
	Ignition coil defective?	Replace ignition coil.
Engine overheats.	Spark plug heat value improper?	Replace with correct type of spark plug.
	Incorrect type of fuel?	Replace with correct type of fuel.
	Cooling fins dirty?	Clean cooling fins.
Rotational speed fluctuates.	Governor adjusted correctly?	Adjust governor
	Governor spring defective?	Replace governor spring.
	Fuel flow restricted?	Check entire fuel system for leaks or clogs.
Recoil starter malfunction.	Recoil mechanism clogged with dust and dirt?	Clean recoil assembly with soap and water.
	Spiral spring loose?	Replace spiral spring.

TROUBLESHOOTING (GENERATOR)

Table 7. Generator Troubleshooting

Symptom	Possible Problem	Solution
Low voltage	Engine speed too low?	Raise engine speed to rated RPM.
Low voltage. Engine speed normal 3650 RPM (unloaded), 2500 RPM (idle)	AC voltmeter not working?	Replace Ac voltmeter.
	Control box internal wiring malfunction?	Check control box wiring.
	Defective ignition coil?	Check red and green ignition wires. Replace ignition wires if necessary.
	Rotor winding malfunction?	Check or replace rotor.
	Stator winding malfunction?	Check or replace stator.
	Leakage breaker malfunction?	Check or replace CB1.
	Full power switch malfunction?	Check full power switch and full power switch circuit.
Voltage output too high.	Engine speed too high?	Lower engine speed to rated RPM.
Voltage output too high. Engine speed normal 3650 RPM (unloaded), 2500 RPM (idle)	Control box internal wiring malfunction	Check control box wiring.
Circuit breaker will not turn on "NO LOAD"	Defective circuit breaker?	Replace circuit breaker.
Circuit breaker will turn on "LOADED" but trips immediately.	Overload Condition?	Reduce load or replace breaker.
	Load circuit is shorted?	Check load circuit for short.
Does not accelerate from low to high "NO LOAD"	Stuck solenoid?	Check solenoid.
	Bad Idle control switch?	Check or replace idle control switch.
Does not accelerate from low to high "LOAD ACTIVE"	Idle control switch malfunction?	Check or replace idle control switch.
	Idle control device malfunction?	Check or replace idle control device.
	Control box internal wiring defective?	Check control box wiring.
Does not decelerate no "VOLTAGE OUTPUT".	Defective rotor windings?	Check or replace rotor.
	Defective solenoid?	Check or replace solenoid.
	Defective idle control device?	Check or replace idle control device.
	Defective solenoid?	Check or replace idle control device.
Does not decelerate but has "VOLTAGE OUTPUT".	Control box wiring malfunction?	Check control box wiring, replace any defective components.
	Defective solenoid?	Check or replace solenoid.
	Idle control device malfunction?	Check or replace idle control device.

EXPLANATION OF CODE IN REMARKS COLUMN

The following section explains the different symbols and remarks used in the Parts section of this manual. Use the help numbers found on the back page of the manual if there are any questions.

NOTICE

The contents and part numbers listed in the parts section are subject to change **without notice**. Multiquip does not guarantee the availability of the parts listed.

SAMPLE PARTS LIST

NO.	PART NO.	PART NAME	QTY.	REMARKS
1	12345	BOLT.....	1	INCLUDES ITEMS W/%
2%		WASHER, 1/4 IN.....		NOT SOLD SEPARATELY
2%	12347	WASHER, 3/8 IN....	1	MQ-45T ONLY
3	12348	HOSE		A/R ...MAKE LOCALLY
4	12349	BEARING	1	S/N 2345B AND ABOVE

NO. Column

Unique Symbols — All items with same unique symbol

(@, #, +, %, or >) in the number column belong to the same assembly or kit, which is indicated by a note in the “Remarks” column.

Duplicate Item Numbers — Duplicate numbers indicate multiple part numbers, which are in effect for the same general item, such as different size saw blade guards in use or a part that has been updated on newer versions of the same machine.

NOTICE

When ordering a part that has more than one item number listed, check the remarks column for help in determining the proper part to order.

PART NO. Column

Numbers Used — Part numbers can be indicated by a number, a blank entry, or TBD.

TBD (To Be Determined) is generally used to show a part that has not been assigned a formal part number at the time of publication.

A blank entry generally indicates that the item is not sold separately or is not sold by Multiquip. Other entries will be clarified in the “Remarks” Column.

QTY. Column

Numbers Used — Item quantity can be indicated by a number, a blank entry, or A/R.

A/R (As Required) is generally used for hoses or other parts that are sold in bulk and cut to length.

A blank entry generally indicates that the item is not sold separately. Other entries will be clarified in the “Remarks” Column.

REMARKS Column

Some of the most common notes found in the “Remarks” Column are listed below. Other additional notes needed to describe the item can also be shown.

Assembly/Kit — All items on the parts list with the same unique symbol will be included when this item is purchased.

Indicated by:

“INCLUDES ITEMS W/(unique symbol)”

Serial Number Break — Used to list an effective serial number range where a particular part is used.

Indicated by:

“S/N XXXXX AND BELOW”

“S/N XXXX AND ABOVE”

“S/N XXXX TO S/N XXX”

Specific Model Number Use — Indicates that the part is used only with the specific model number or model number variant listed. It can also be used to show a part is NOT used on a specific model or model number variant.

Indicated by:

“XXXXX ONLY”

“NOT USED ON XXXX”

“Make/Obtain Locally” — Indicates that the part can be purchased at any hardware shop or made out of available items. Examples include battery cables, shims, and certain washers and nuts.

“Not Sold Separately” — Indicates that an item cannot be purchased as a separate item and is either part of an assembly/kit that can be purchased, or is not available for sale through Multiquip.

SUGGESTED SPARE PARTS

GAC9.7HZ PORTABLE 60 HZ GENERATOR WITH HONDA GX610K1VD/GX610U1VD GASOLINE ENGINES

1 to 3 units

Qty.	P/N	Description
4	31620881A02	RECTIFIER
4	0601823754	RELAY
2	0601812529	RECEPTACLE L14-30R
1	0601811032	RECEPTACLE, L6-20R
2	0601811035	RECEPTACLE, L5-30R
1	0601812590	RECEPTACLE, 5-15R
1	0601807466	CIRCUIT BREAKER, 2P, 35A
1	0601806425	CIRCUIT BREAKER, 2P, 30A
1	0601806036	CIRCUIT BREAKER, 2P, 20A
4	0601806424	CIRCUIT BREAKER, 1P, 30A
1	0601806428	CIRCUIT BREAKER, 1P, 15A
1	0601830727	IDLE CONTROL SWITCH
1	0601830799	OPERATION SWITCH
1	0602100102	START SWITCH
2	0601802137	FUSE
2	A9924800024	CAP FUEL STRAINER, (FUEL TANK)
2	16910ZE8015	FILTER COMP FUEL, (FUEL PUMP)
1	0602125032	GAUGE FUEL
2	0805083204	SUSPENSION RUBBER
2	A6415800004	SUSPENSION RUBBER
3	9807952876	SPARK PLUG, (BPR5ES-NKG)
3	154000ZJ100	CARTRIDGE FILTER, OIL
1◆	35480ZJ1841	SWITCH ASSY., OIL LEVEL
1◇	35480ZJ1841	SWITCH ASSY., OIL LEVEL, USE UP TO S.N 1068428
1◇	35480ZJ1842	SWITCH ASSY., OIL LEVEL, USE FROM S/N 1068429
1◆	16100ZJ0881	CARBURETOR ASSY. (BG21N A), USE UP TO S/N 2014887
1◆	16100ZJ0911	CARBURETOR ASSY. (BG21Q A), USE FROM S/N 2014888
1◇	16100ZJ0911	CARBURETOR ASSY. (BG21Q A), USE UP TO S/N 1006893
1◇	16100ZJ0912	CARBURETOR ASSY. (BG21Q B), USE FROM S/N 1006894
1◆	17210ZJ1841	ELEMENT COMP., AIR CLEANER, USE UP TO S/N 2017952
1◆	17210ZJ1842	ELEMENT COMP., AIR CLEANER, USE FROM S/N 2017953
1◇	17210ZJ1842	ELEMENT COMP., AIR CLEANER
2	28462ZE3W01	ROPE, RECOIL

NOTICE

Part numbers on this Suggested Spare Parts list may supersede/replace the part numbers shown in the following parts lists.



◆GX610K1VD: Model GAC9.7HZ AUG. 2007 AND BELOW

◇GX610U1VD: Model GAC9.7HZ JAN. 2008 AND ABOVE

GAC9.7HZ— NAMEPLATE AND DECALS ASSY.

S/N 5571693 AND BELOW

1 **DANGER** CASO EXPLOSIÓN
Cigarrillos, fósforos o artículos similares pueden causar la explosión de la batería. Proteja siempre la carga de las cosas que se encuentran a su alrededor. No cargue cerca de la batería, ni utilice para los cables de arranque ni conecte con los cables de la batería con instrucciones o prohibido.
POISON Fuel causes severe burns. Contact with fuel can cause severe burns, eyes, nose, or clothing. In event of accident flush with water and call a physician immediately or seek medical attention.
GARDEZ LE BOUCHON VENTILATEUR AU NIVEAU ET BIEN SERRE.
GARDEZ LES ENFANTS A DISTANCE A5520164

2 **DANGER** EXPLOSION CAUSES
Cigarettes, flares or similar could cause battery to explode. Always check area and clear battery. Do not charge or use hooded cables or adjust post connections without proper instructions and training.
KEEP VENT CAPS TIGHT AND LEVEL.
POISON CAUSES SEVERE BURNS
Contact with fuel may cause severe burns, eyes, nose, or clothing. In event of accident flush with water and call a physician immediately or seek medical attention.
KEEP OUT OF THE REACH OF CHILDREN A5520164

3 **CAUTION/ATTENTION**
HOT PARTS can burn skin.
DO NOT touch until the thing has sufficiently cooled.
Danger de brûlure, pièces chaudes.
Ne touchez pas avant que l'appareil ne soit suffisamment refroidi.

4 **WARNING/ATTENTION**
Only operate machine in well-ventilated areas.
Do not inhale exhaust gases.
Do not use equipment near flammable or explosive vapors.
Do not use equipment near any open flame or fire.
Only qualified personnel should work on this equipment.
Seulement des personnes qualifiées doivent travailler sur cet équipement.
A5520165

5 **ATTENTION!**
Avant de travailler sur cette machine, un interrupteur d'appareil doit être installé sur le tableau de commande.
Utilisez un appareil avec l'interrupteur d'appareil pour arrêter des moteurs, gazes, autres machines.

6 **WARNING!**
Be sure to use proper safety procedures when working on this equipment.
Service injury or death may result without this warning. A5520166

7 **CAUTION**
• Il est impératif de lire le manuel d'utilisation avant d'utiliser ou de réparer cet équipement.
• Il est impératif d'écarter tout personnel non autorisé ou non qualifié à distance de cet équipement.
• Assurez-vous que tout équipement de sécurité est fonctionnel avant d'engager l'équipement. Assurez-vous que le moteur est éteint et que le fil de la bougie est déconnecté avant de réparer la machine ou avant tout contact avec toute pièce en mouvement. Si l'équipement est alimenté par un moteur électrique débranchez l'appareil.
• Ne laissez jamais l'appareil sans supervision quand il est en marche. Il est impératif d'arrêter le moteur et de le laisser refroidir avant d'ajouter de l'huile ou du carburant. A5520169

8 **CAUTION**
• READ OWNER'S SERVICE MANUAL BEFORE OPERATING OR SERVICING THIS MACHINE.
• ALWAYS KEEP UNAUTHORIZED / INEXPERIENCED UNTRAINED PEOPLE AWAY FROM THIS MACHINE.
• MAKE SURE ALL SAFETY DEVICES ARE OPERATIONAL BEFORE THIS MACHINE IS STARTED. MAKE SURE ENGINE IS TURNED OFF AND SPARK PLUG WIRE DISCONNECTED BEFORE SERVICING THE MACHINE OR COMING IN CONTACT WITH ANY MOVING PART. IF EQUIPMENT IS POWERED BY AN ELECTRIC MOTOR DISCONNECT ELECTRICAL PLUG.
• NEVER LEAVE MACHINE UNATTENDED WHEN OPERATING ALWAYS STOP ENGINE AND ALLOW ENGINE TO COOL BEFORE ADDING FUEL OR OIL. A5520170A

9 **FUEL DRAIN**
VIDANGE D'ESSENCE

10 **11** **DANGER**
Do not touch moving parts or electrical wiring while unit is operating.
Do not touch power cables, wiring, or electrical components.
Do not touch or be near terminals or electrical components when engine is running.
Évitez de toucher les pièces en mouvement, les fils ou les terminaux électriques.
Évitez de toucher les composants électriques quand le moteur est en marche.
Évitez de toucher les terminaux ou les composants électriques quand le moteur est en marche.
A5520171

12 **CAUTION**
Do not use in rain or snow.
ATTENTION
Ne pas utiliser en cas de pluie ou de neige. A5520172

13 **OIL DRAIN**
VIDANGE D'HUILE

14 **DANGER**
DO NOT OPERATE IN ENCLOSED OR PARTIALLY ENCLOSED AREAS.
NEVER use in enclosed or partially enclosed areas.
Utilisation INTERDITE dans un espace clos ou partiellement clos.
A5520173

S/N 5571694~5582055

14 **DANGER**
DO NOT OPERATE IN ENCLOSED OR PARTIALLY ENCLOSED AREAS.
NEVER use in enclosed or partially enclosed areas.
Utilisation INTERDITE dans un espace clos ou partiellement clos.
A5520173

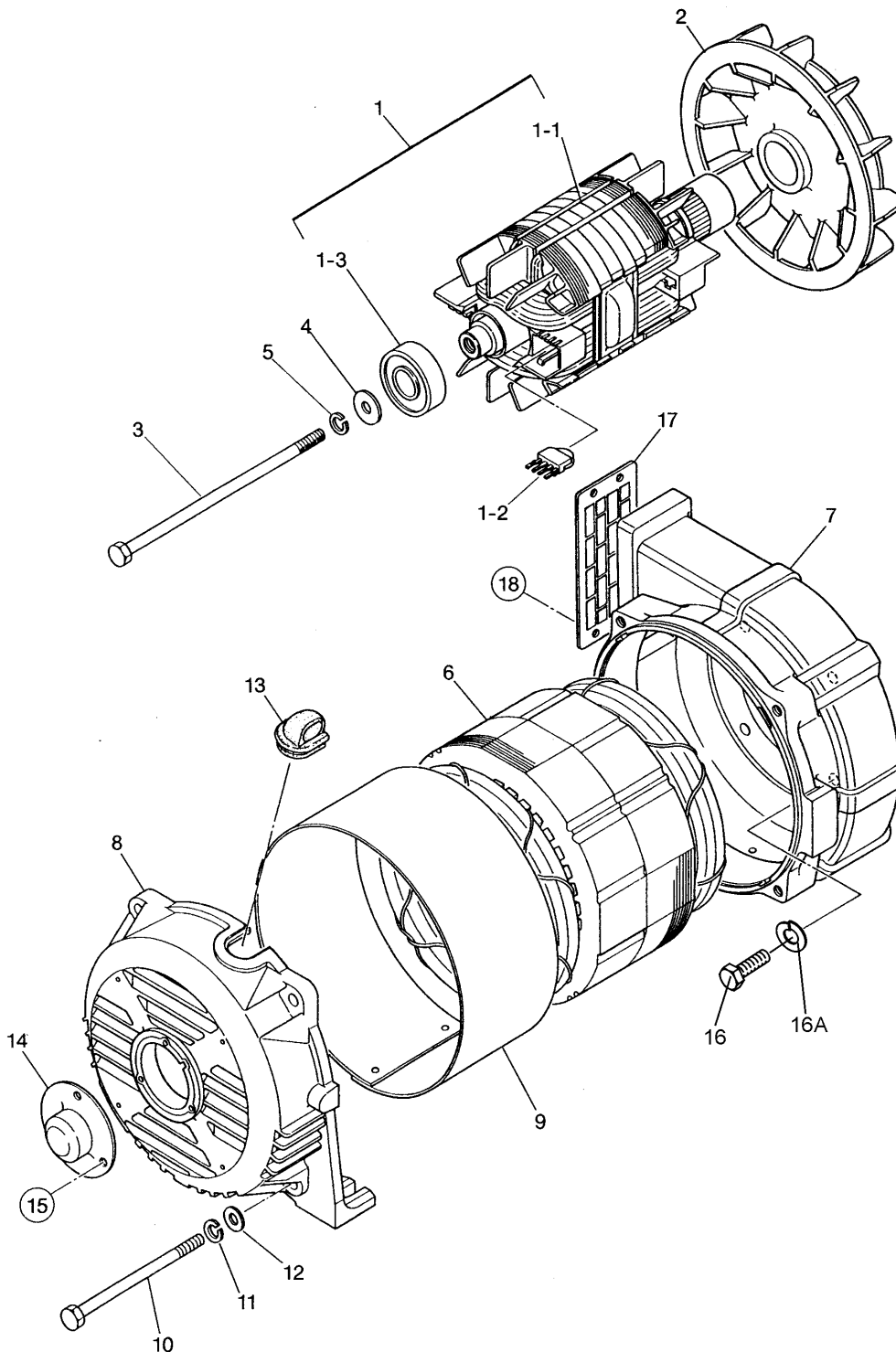
S/N 5582056 AND ABOVE

15 **DANGER**
Using a generator indoors CAN KILL YOU IN MINUTES.
Using a generator in a poorly ventilated area can cause carbon monoxide poisoning.
Évitez d'utiliser un générateur dans un espace clos ou partiellement clos.
L'utilisation d'un générateur dans un espace clos ou partiellement clos peut entraîner une intoxication au monoxyde de carbone, un gaz incolore et inodore.
NEVER use in enclosed or partially enclosed areas.
Utilisation INTERDITE dans un espace clos ou partiellement clos.
A5520174

GAC9.7HZ— NAMEPLATE AND DECALS ASSY.

<u>NO.</u>	<u>PART NO.</u>	<u>PART NAME</u>	<u>QTY.</u>	<u>REMARKS</u>
1	A6532101404	DECAL; DANGER, EXPL. GASES (FRENCH) ..1.....	1	A63210140
2	A6532101104A	DECAL; DANGER, EXPL GASES (ENGLISH) ..1.....	1	A63210110A
3	A6552000404A	DECAL; CAUTION, HOT PARTS ..1.....	1	A65300040A
4	A6532100904A	DECAL; WARNING, EXHAUST GASES.....1.....	1	A63210090A
5	A3552000504	DECAL; CAUTION, TRANS. SW.(FRENCH).....1.....	1	A35200050
6	A3552000304A	DECAL; CAUTION, TRANS. SW. (ENGLISH)1.....	1	A35200030A
7	A5552000804	DECAL; OPERATING INSTR. (FRENCH).....1.....	1	A552200080
8	A5552000704A	DECAL; OPERATING INSTR. (ENGLISH).....1.....	1	A55200070A
9	A6552000604	DECAL; FUEL DRAIN.....1.....	1	A65200060
10	A6562100003A	DECAL; MQ LOGO 9700 STRIPE.....2.....	2	A66210000A
11	A6532101004A	DECAL; DANGER, ELECTROCUTION ..1.....	1	A63210100A
12	A3552000004A	DECAL; CAUTION, RAIN SNOW.....1.....	1	A35200000A
13	A6552000704	DECAL; OIL DRAIN ..1.....	1	A65200070
14	A9511100204	DECAL; DANGER, GROUND ROD ..1.....	1	A91110020
			S/N 5571694-5582055
15	A9504000104	DECAL; DANGER, DANGEROUS GASES.....1.....	1	A90400010
			S/N 5582056 AND ABOVE

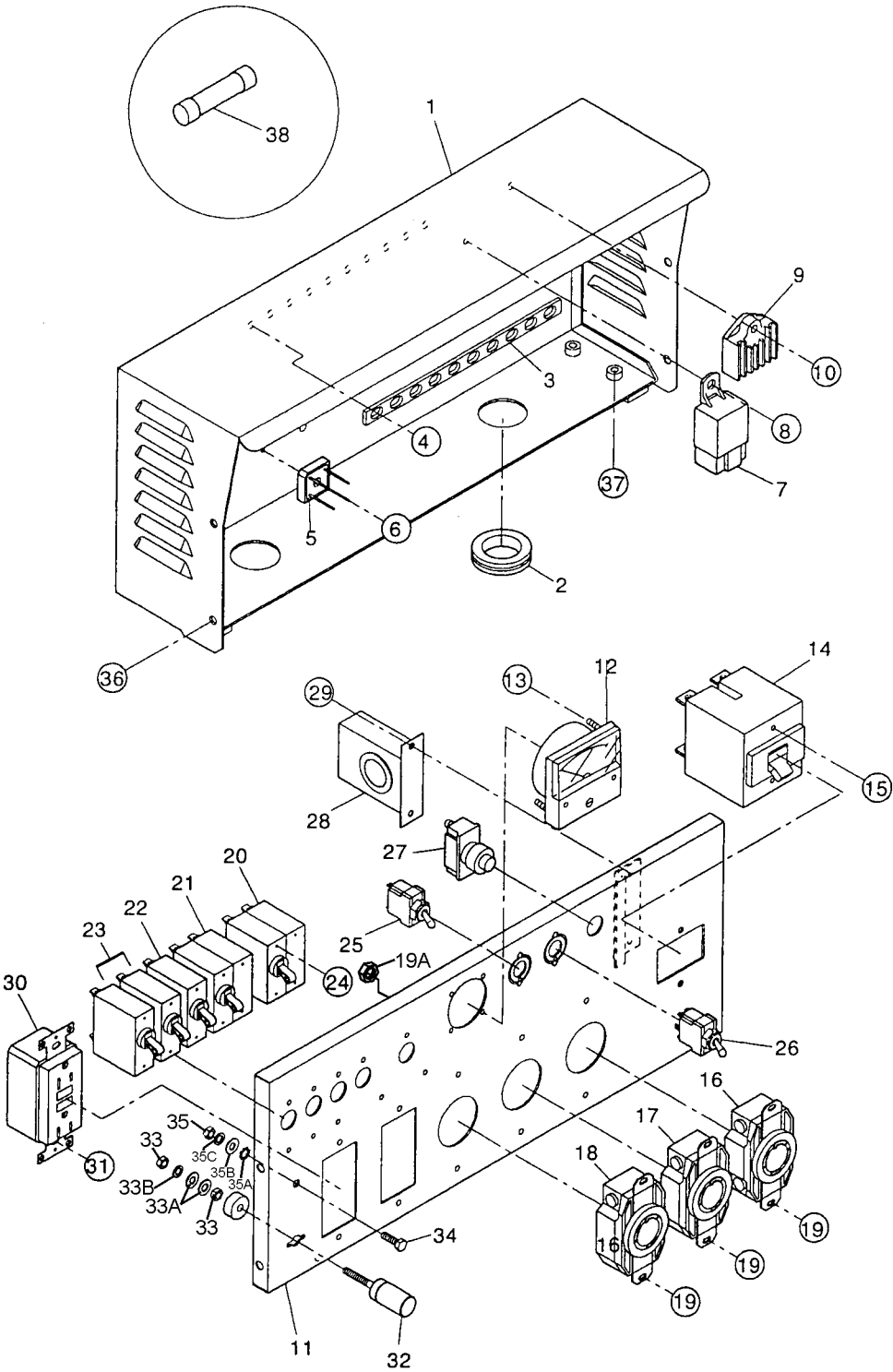
GAC9.7HZ — GENERATOR ASSY.



GAC9.7HZ — GENERATOR ASSY.

<u>NO.</u>	<u>PART NO.</u>	<u>PART NAME</u>	<u>QTY.</u>	<u>REMARKS</u>
1	A6110200103	ROTOR ASSY.....	1.....	INCLUDES ITEMS W/#
1-1#		FIELD ASSY.....	1.....	NOT SOLD SEPERATELY
1-2#	7921025004	RECTIFIER	2	
1-3#	0071206304	BEARING.....	1.....	REPLACES 0071206304
2	A6113100004	FAN	1	
3	A6113400004	SET BOLT, ROTOR	1	
4	0801086104	SET WASHER BEARING	1	
5	0040010000	WASHER, LOCK	1	
6	A6136000303	ARMATURE ASSY.	1	
7	A6155100102	END BRACKET	1	
8	A6155000002	END BRACKET	1	
9	A6133300003	COVER, STATOR	1	
10	A6133500004	SET BOLT, STATOR	4	
11	0040008000	WASHER, LOCK	4	
12	0031108160	WASHER, FLAT	4.....	REPLACES P/N 0041208000
13	7871329514	GROMMET	1	
14	A6155400104	COVER, BEARING	1	
15	0027105012	MACHINE SCREW	3	
16	011008020	HEX, HEAD BOLT.....	4.....	REPLACES P/N 0010108020
16A	0040008000	WASHER, LOCK	4	
17	A6155400204	COVER	1	
18	0052205008	RIVET	4	

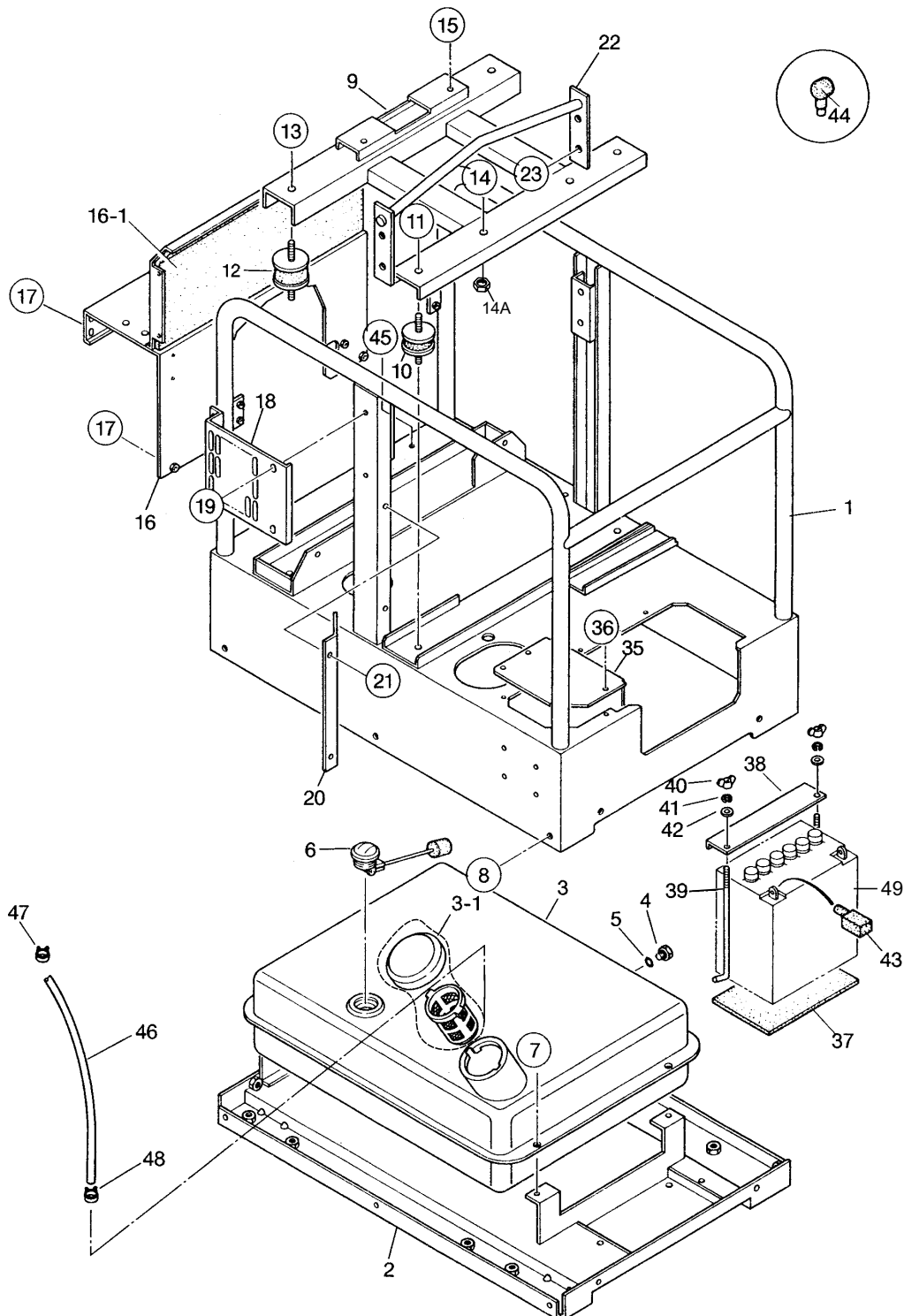
GAC9.7HZ — CONTROL BOX ASSY.



GAC9.7HZ — CONTROL BOX ASSY.

<u>NO.</u>	<u>PART NO.</u>	<u>PART NAME</u>	<u>QTY.</u>	<u>REMARKS</u>
1	A6215000503	CONTROL BOX	1	
2	0601850102	GROMMET	2	
3	A6262800104	TERMINAL PLATE	1	
4	0016906020	HEX, HEAD BOLT	5	
5	0601823204	RECTIFIER	5	
6	0027103020	MACHINE SCREW	5	
7	0601823754	RELAY, DC12V	1	
8	0027105016	MACHINE SCREW	1	
9	0602201356	REGULATOR	1	
10	0027106020	MACHINE SCREW	1	
11	A6225000603	CONTROL PANEL	1	
12	0601806819	AC VOLTMETER, DE450 120/240V	1	
13	0307005000	HEX, NUT	2	
14	0601807466	CIRCUIT BREAKER, 35A	1	
15	0027404010	MACHINE SCREW	2	
16	0601812529	RECEPTACLE, L14-30R 125/250V, 30A	1	
17	0601811032	RECEPTACLE, L6-20R 250V, 20A	1	
18	0601811035	RECEPTACLE, L5-30R125V, 30A	1	
19	0021004010	MACHINE SCREW	10	
19A	0030004000	HEX. NUT	10	
20	0601806425	CIRCUIT BREAKER 2P, 250V @ 30A	1	
21	0601806036	CIRCUIT BREAKER 2P, 250V @ 20A	1	
22	0601806424	CIRCUIT BREAKER 1P, 250V @ 30A	1	
23	0601806428	CIRCUIT BREAKER 1P, 250V @ 15A	2	
24	0027103005	MACHINE SCREW	10	
25	0601830727	IDLE CONTROL SWITCH	1	
26	0601830799	OPERATION SWITCH	1	
27	0602100102	START SWITCH	1	
28	0601823853	IDLE CONTROL DEVICE	1	
29	0021004010	MACHINE SCREW	2	
30	0601812590	RECEPTACLE, 5-15R 120V, 20A	2	
31	0021004010	MACHINE SCREW	2	
32	0601815147	GROUND TERMINAL	1	
33	0207005000	HEX. NUT	2	
33A	0041205000	WASHER, FLAT	1	
33B	0040005000	WASHER, LOCK	1	
34	0012905020	HEX. HEAD BOLT	1	
35	0207005000	HEX. NUT	1	
35A	0040505000	STAR TOOTH WASHER	1	
35B	0041205000	WASHER, FLAT	1	
35C	0040005000	WASHER, LOCK	1	
36	0017105016	HEX. HEAD BOLT	4	
36	0017106025	HEX. HEAD BOLT	4	
38	0601802137	FUSE, 10A @ 250V	2	

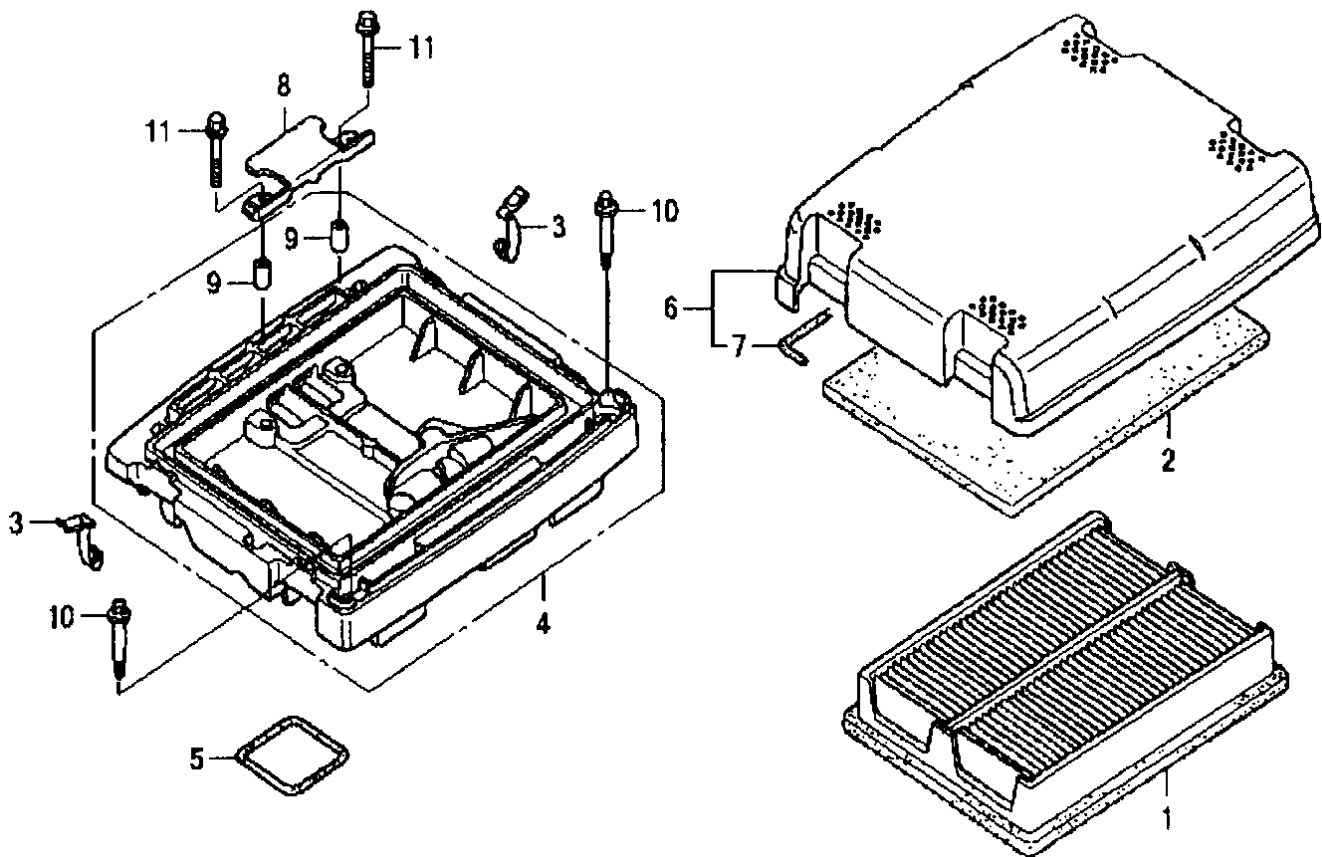
GAC9.7HZ — PIPE FRAME ASSY.



GAC9.7HZ — PIPE FRAME ASSY.

<u>NO.</u>	<u>PART NO.</u>	<u>PART NAME</u>	<u>QTY.</u>	<u>REMARKS</u>
1	A6418000412	PIPE FRAME	1	
2	A6415100003	FLOOR PANEL	1	
3	A6365000402	FUEL TANK	1	
3-1	A9924800024	CAP, FUEL TANK/STRAINER.....	1.....	INCLUDES ITEM W/#
4	3015530004	DRAIN PLUG	1	
5	0150200011	O-RING	1	
6	0602125032	FUEL GAUGE	1	
7	011008020	HEX. HEAD BOLT.....	4.....	REPLACES 0017108020
8	011008020	HEX. HEAD BOLT.....	11.....	REPLACES 0017108020
9	A6418700103	BASE	1	
10	0805083204	RUBBER SUSPENSION	2	
11	0207010000	HEX. NUT	2	
12	A6415800004	RUBBER SUSPENSION	2	
13	0207010000	HEX. NUT	2	
14	0010110045	HEX. HEAD BOLT	2	
14A	0207010000	HEX. NUT	2	
15	0012308030	HEX. HEAD BOLT	2	
16	A6425400403	BRACKET	1	
16-1	A6498200004	LINING	1	
17	0017106016	HEX, HEAD BOLT	8	
18	A6332300204	COVER	1	
19	0017106016	HEX. HEAD BOLT	4	
20	A6418400304	AIR GUIDE	1	
21	0017106016	HEX. HEAD BOLT	2	
22	A6435300003	HANGER	1	
23	0017110025	HEX. HEAD BOLT	4	
37	A6345200204	BATTERY SHEET	1	
38	D1343200204	BATTERY BAND	1	
39	0805082704	BATTERY BOLT	2	
40	0037806000	WING NUT	2	
41	0040006000	WASHER, LOCK	2	
42	952404470	WASHER, FLAT	2	
43	0602220600	TERMINAL CAP (RED)	1	
44	0602220601	TERMINAL CAP (BLK)	1	
45	0019206016	HEX. HEAD BOLT	1	
46	0605513143	HOSE	1	
47	0605515240	HOSE BAND	1	
48	0605515093	HOSE BAND	1	
49	34533	BATTERY, 12 VOLT.....	1.....	INTERSTATE SP-30

HONDA GX610K1VD/U1VD — AIR CLEANER ASSY.



HONDA GX610K1VD/U1VD — AIR CLEANER ASSY.

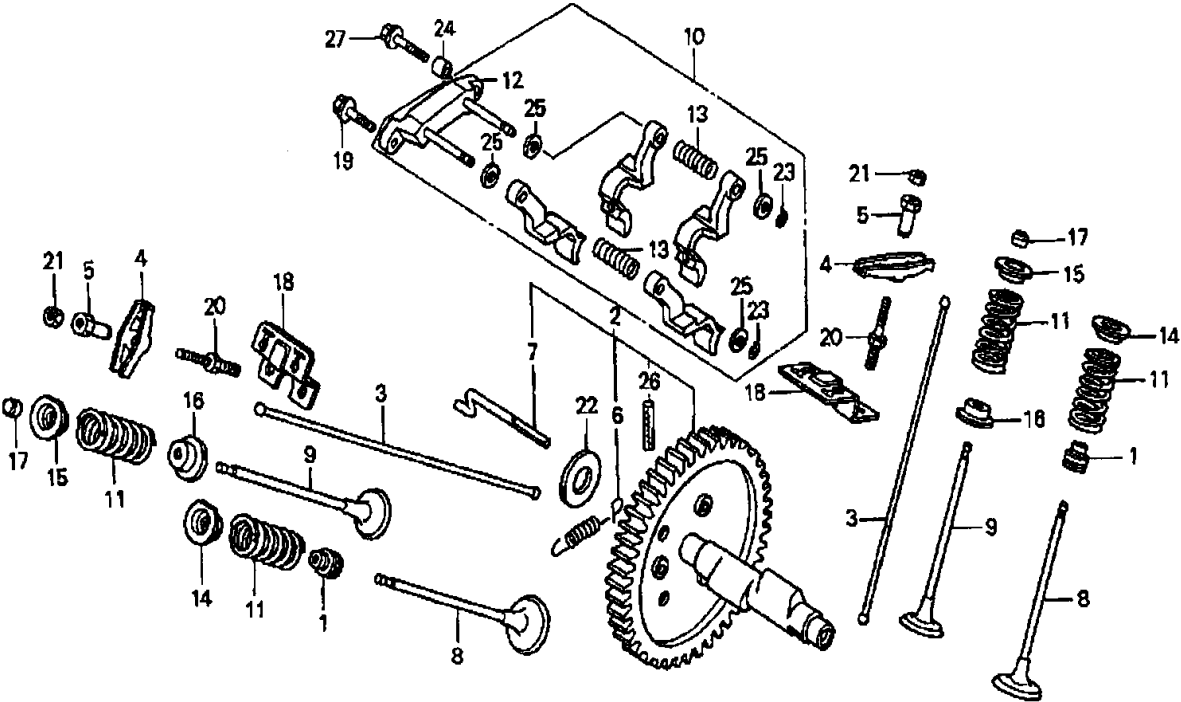
NO.	PART NO.	PART NAME	QTY.	REMARKS
1◆	17210ZJ1841	ELEMENT COMP., AIR CLEANER.....	1.....	USE UP TO S/N 2017952
1◆	17210ZJ1842	ELEMENT COMP., AIR CLEANER.....	1.....	USE FROM S/N 2017953
1◇	17210ZJ1842	ELEMENT COMP., AIR CLEANER	1	
2	17218ZJ1840	FILTER OUTER	1	
3	17219ZJ1840	CLIP AIR CLEANER	4	
4	17220ZJ1840	CASE COMP., AIR CLEANER	1	
4	17220ZJ1840	CASE COMP., AIR CLEANER.....	1.....	USE UP TO S/N 1077169
4	17229ZJ1840	CASE COMP., AIR CLEANER.....	1.....	USE FROM S/N 1077170
5	17229ZJ1840	SEAL, AIR CLEANER CASE	1	
6◆	17230ZJ1840	COVER ASSY., AIR CLEANER	1	
6◇	17230ZJ1840	COVER ASSY., AIR CLEANER	1	
6◇	17230ZJ1841	COVER ASSY., AIR CLEANER	1	
7	17233ZJ1840	SEAL, AIR CLEANER COVER	1	
8	17234ZJ1840	PLATE, AIR CLEANER SETTING	1	
9	17238JZ4830	COLLAR A, AIR CLEANER	2	
10	90003ZJ1840	BOLT, SPECIAL 5 MM	2	
11	957010602800	BOLT, FLANGE 6X28	2	



◆GX610K1VD: Model GAC9.7HZ AUG. 2007 AND BELOW

◇GX610U1VD: Model GAC9.7HZ JAN. 2008 AND ABOVE

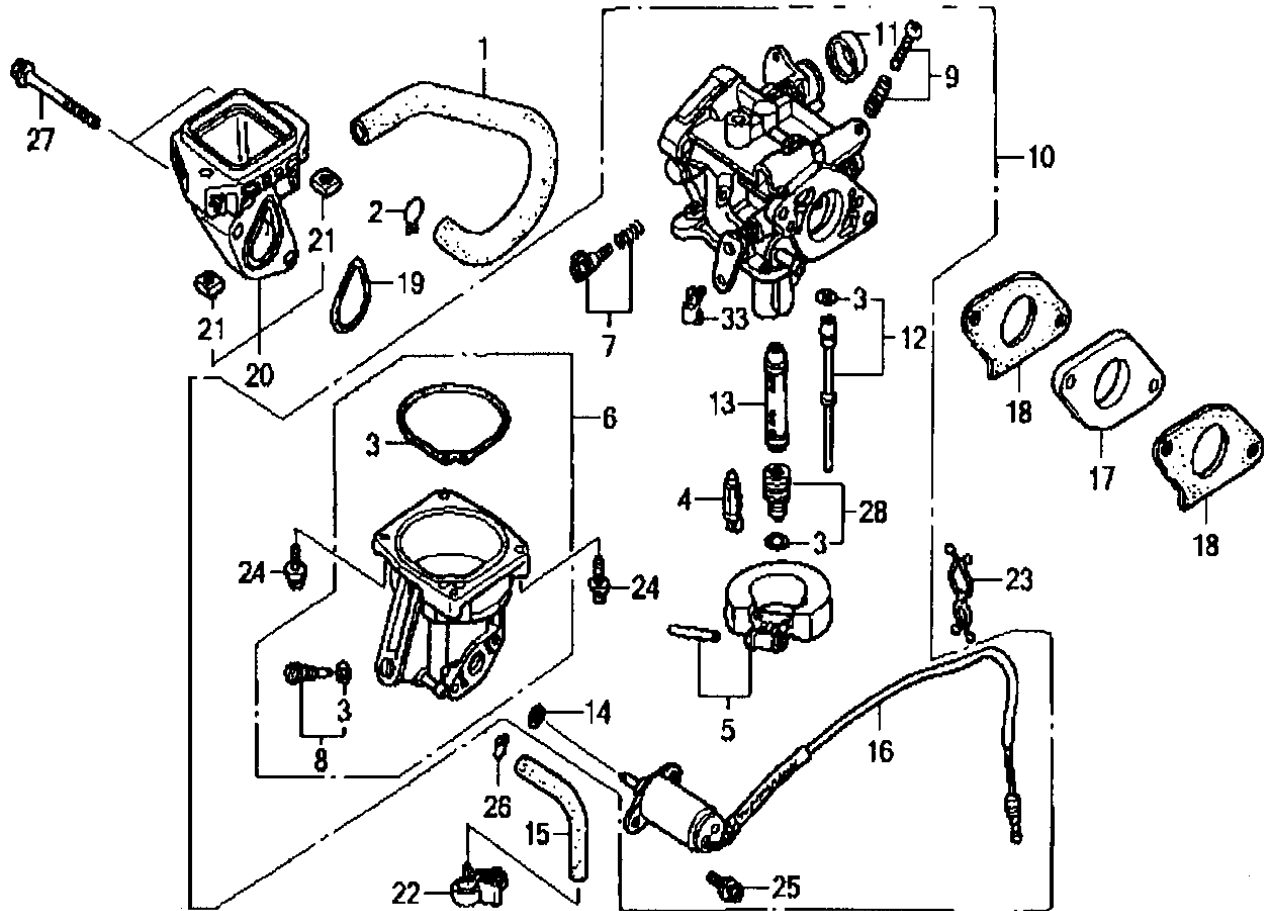
HONDA GX610K1VD/U1VD ENGINE — CAMSHAFT ASSY.



HONDA GX610K1VD/U1VD ENGINE — CAMSHAFT ASSY.

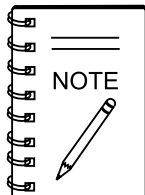
<u>NO.</u>	<u>PART NO.</u>	<u>PART NAME</u>	<u>QTY.</u>	<u>REMARKS</u>
1	12209ZE8003	SEAL, VALVE STEM	2	
2	14100ZJ1842	CAMSHAFT ASSY.	1	
3	14410ZJ1840	ROD, PUSH	4	
4	14431ZE2010	ARM, VALVE ROCKER	4	
5	14451ZE1013	PIVOT, ROCKER ARM	4	
6\$	14568ZJ1841	SPRING, WEIGHT RETURN	1	
7	14576ZJ1840	PIN, DECOMPRESSION	1	
8	14711ZE3000	VALVE, IN.	1	
9	14721ZE3000	VALVE, EX.	1	
10	14730ZJ1841	LIFTER ASSY., VALVE	1	
11	14751ZE2003	SPRING, VALVE	2	
12	14760ZJ1840	SHAFT COMP, VALVE LIFTER	1	
13	14764ZJ1840	SPRING, VALVE LIFTER	2	
14	14771ZE2000	RETAINER, IN. VALVE SPRING	2	
15	14773ZE2000	RETAINER, EX. VALVE SPRING	2	
16	14775ZE2010	SEAT, VALVE SPRING	2	
17	14781ZE2000	ROTATOR, VALVE	2	
18	14791ZE2010	PLATE, PUSH ROD GUIDE	2	
19	90005896000	BOLT, FLANGE, 5X16	1	
20	90012ZE0010	BOLT, PIVOT (8MM)	4	
21	90206ZE1000	NUT, PIVOT ADJ.	4	
22	90446357000	WASHER, THRUST, 17.2MM	1	
23	90602ZE1000	CLIP, GOVERNOR HOLDER	2	
24	90702GB6910	DOWEL PIN, 8X12	1	
25	9410106800	WASHER, FLAT, 6MM	4	
26	9430560282	PIN, SPRING, 6X28	1	
27	957010602500	BOLT, FLANGE, 6X25	1	

HONDA GX610K1VD/U1VD ENGINE — CARBURETOR ASSY.



HONDA GX610K1VD/U1VD ENGINE — CARBURETOR ASSY.

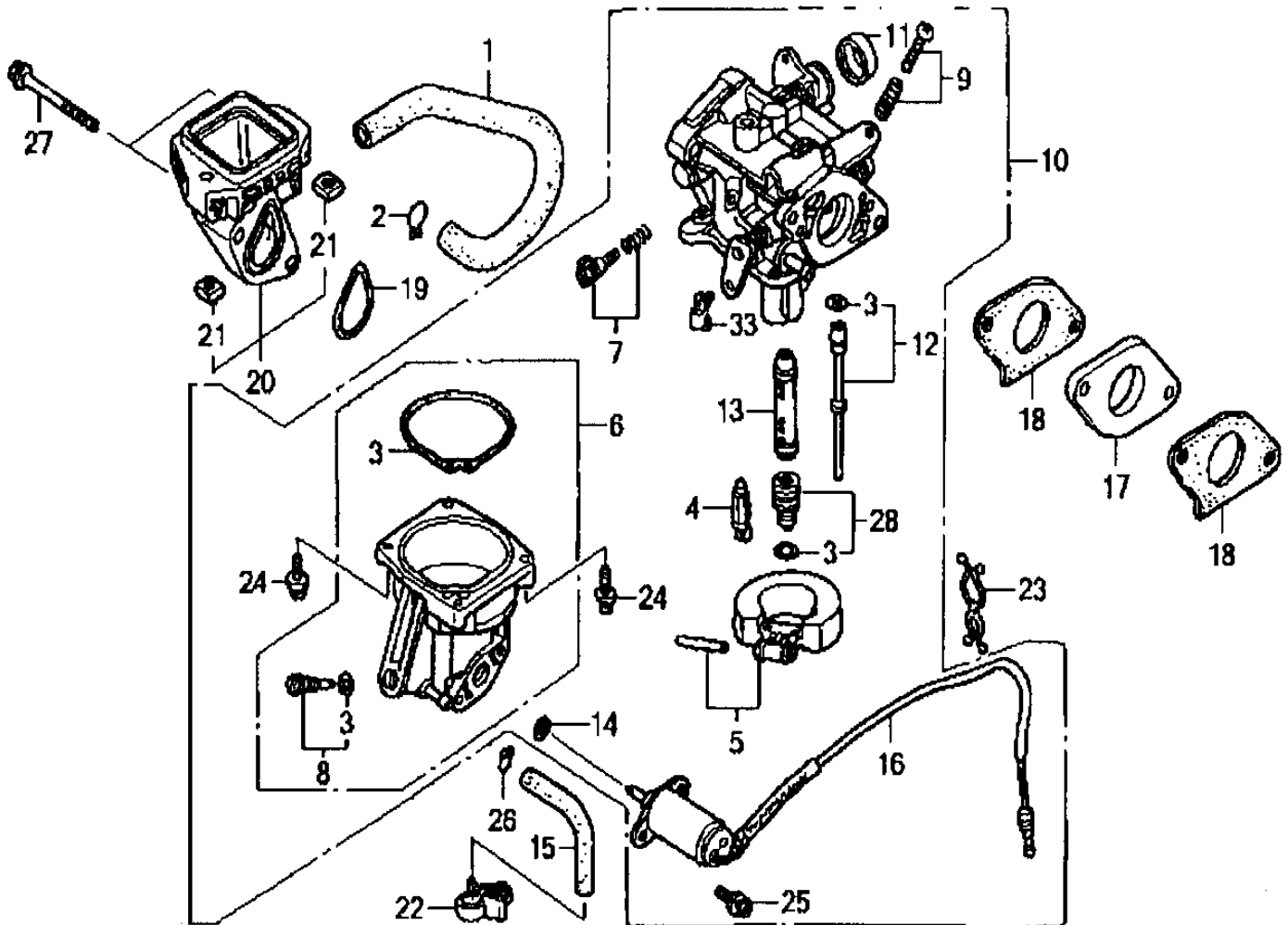
NO.	PART NO.	PART NAME	QTY.	REMARKS
1	12357ZJ1840	TUBE, BREATHER	1	
2	15772551000	CLIP, BREATHER TUBE	1	
3◆	16010ZG8000	GASKET SET	1.....	USE UP TO S/N BG21H C INCLUDES ITEMS W/\$
3◆	16010ZJ0911	GASKET SET	1.....	USE FROM S/N BG21Q A INCLUDES ITEMS W/\$
3◇	16010ZJ0911	GASKET SET	1	
4#	16011KCK910	VALVE SET, FLOAT	1	
5#	16013ZV4005	FLOAT SET	1	
6◆#	16015ZJ1841	CHAMBER SET, FLOAT	1.....	USE UP TO S/N BG21H C INCLUDES ITEMS W/#
6◆#	16015ZJ1W01	CHAMBER SET, FLOAT	1.....	USE FROM S/N BG21Q A INCLUDES ITEMS W/#
6◇ #	16015ZJ1W01	CHAMBER SET, FLOAT	1	
7#	16016ZJ1010	SCREW SET	1	
8\$	16024124760	SCREW SET, DRAIN	1	
9#	16028ZG8000	SCREW SET	1	
10◆	16100ZJ0881	CARBURETOR ASSY. (BG21N A).....	1.....	USE UP TO S/N 2014887 INCLUDES ITEMS W/#
10◆	16100ZJ0911	CARBURETOR ASSY. (BG21Q A)	1.....	USE FROM S/N 2014888 INCLUDES ITEMS W/#
10◇	16100ZJ0911	CARBURETOR ASSY. (BG21Q A)	1.....	USE UP TO S/N 1006893 INCLUDES ITEMS W/#
10◇	16100ZJ0912	CARBURETOR ASSY. (BG21Q B)	1.....	USE FROM S/N 1006894 INCLUDES ITEMS W/#
11	16148141881	CAP, CHOKE LEVER DUST	1	
12#\$	16150ZJ0831	JET SET (#58)	1	
13#\$	16166ZJ0831	NOZZLE, MAIN	1	
14◆\$	16178548004	O-RING (5.8X1.9).....	1.....	USE UP TO S/N BG21N A
14◆\$	16178ZJ0911	O-RING	1.....	USE FROM S/N BG21Q A
14◇ \$	16178ZJ0911	O-RING	1	



◆GX610K1VD: Model GAC9.7HZ AUG. 2007 AND BELOW

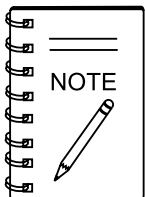
◇GX610U1VD: Model GAC9.7HZ JAN. 2008 AND ABOVE

HONDA GX610K1VD/U1VD ENGINE — CARBURETOR ASSY.



HONDA GX610K1VD/U1VD ENGINE — CARBURETOR ASSY.

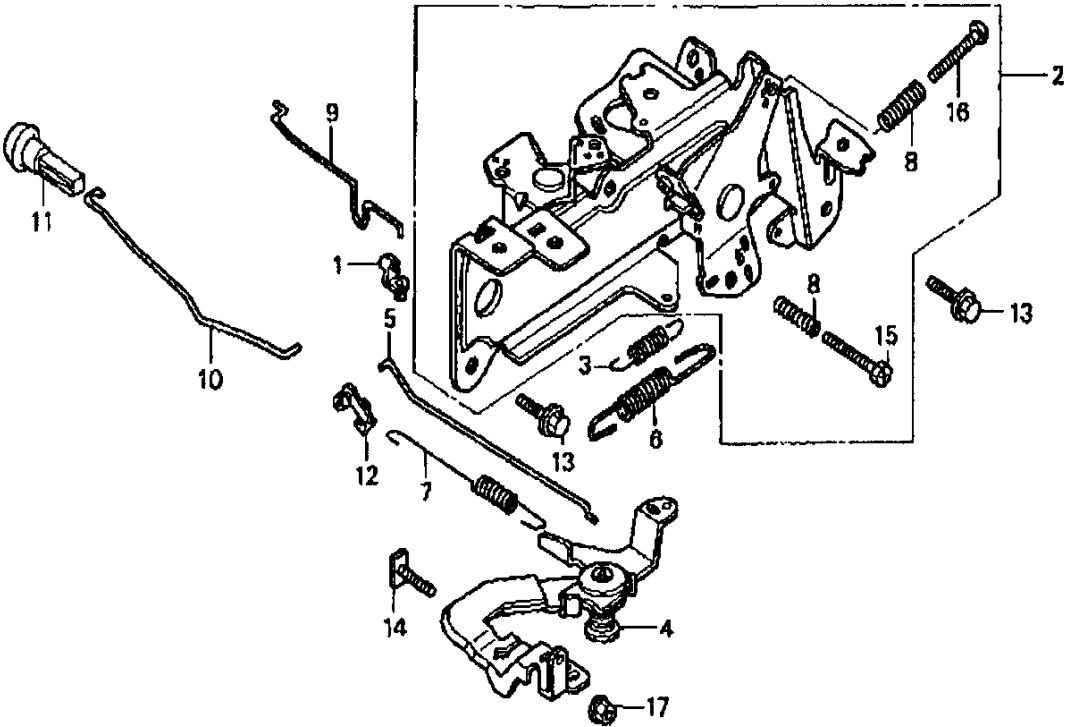
NO.	PART NO.	PART NAME	QTY.	REMARKS
15	16198ZJ1840	TUBE DRAIN	1.....	USE UP TO S/N 2073018
16◆#	16200ZJ0841	VALVE ASSY., SOLENOID.....	1.....	USE UP TO S/N 2067379
16◆#	16200ZJ1841	VALVE ASSY., SOLENOID.....	1.....	USE FROM S/N 2067380
16◇#	16200ZJ1841	VALVE ASSY., SOLENOID	1	
17	16211ZJ0841	INSULATOR, CARBURETOR	1	
18	16221ZJ1840	GASKET, CARBURETOR	2	
19	17228ZG8003	GASKET, AIR CLEANER	1	
20	17410ZJ1840	ELBOW COMP., AIR CLEANER	1.....	INCLUDES ITEMS W/%
21%	90314ZJ1840	NUT, INSERT, 6 MM	2	
22	90682959661	CLIP B, CABLE	1	
23	91402ZJ1841	CLIP, PURSE LOCK	1	
24#	938920401418	SCREW-WASHER (4X12)	4	
25#	938920501218	SCREW-WASHER (5X12)	2	
26	9500202080	CLIP, TUBE (B8)	1	
27	958010612000	BOLT, FLANGE (6X120)	2	
28#\$	99201ZG80880	JET SET, MAIN (#88)	1	
28#\$	99201ZG80900	JET SET, MAIN (#90 HIGH ALTITUDE)	1	
28#\$	99201ZG80920	JET SET, MAIN (#92 HIGH ALTITUDE)	1	
33#	16126ZJ1841	ARM, THROTTLE LINKAGE	1	



◆GX610K1VD: Model GAC9.7HZ AUG. 2007 AND BELOW

◇GX610U1VD: Model GAC9.7HZ JAN. 2008 AND ABOVE

HONDA GX610K1VD/U1VD ENGINE — CONTROL ASSY.



HONDA GX610K1VD/U1VD ENGINE — CONTROL ASSY.

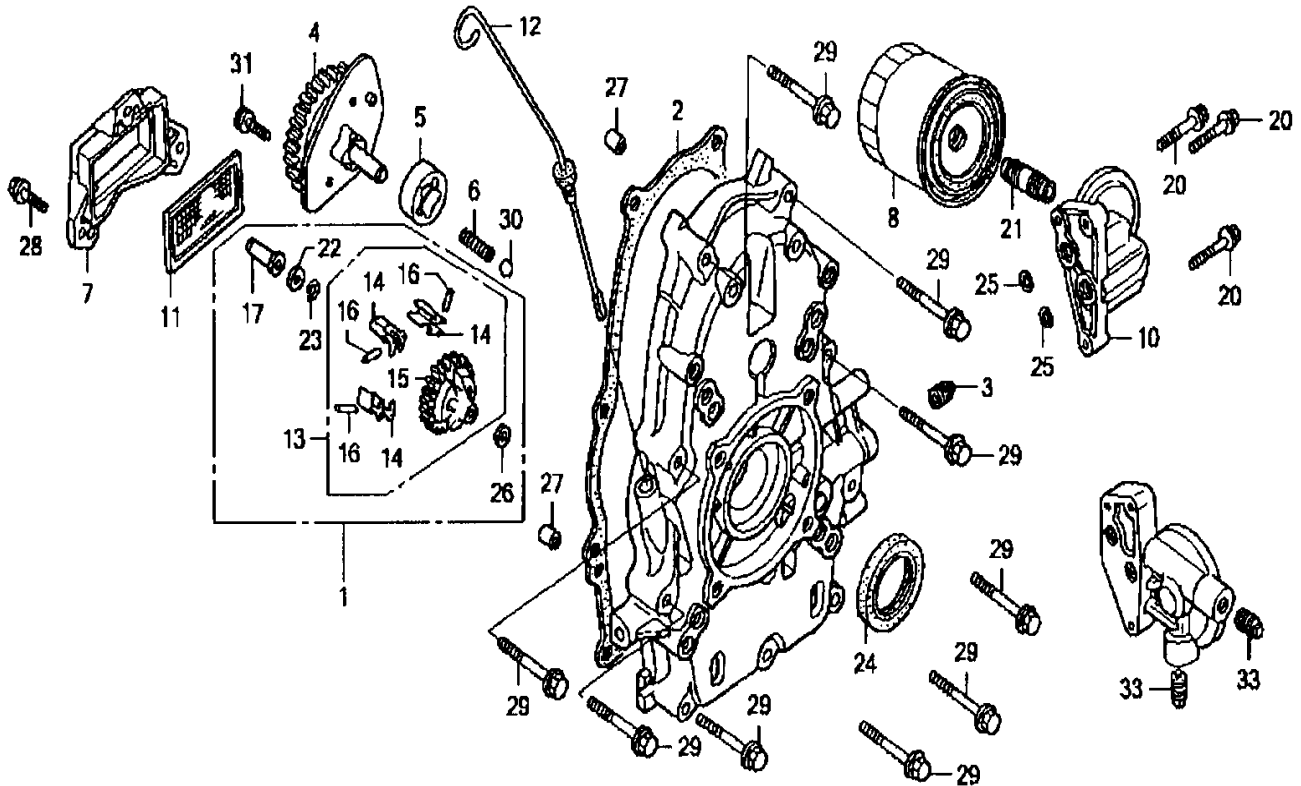
<u>NO.</u>	<u>PART NO.</u>	<u>PART NAME</u>	<u>QTY.</u>	<u>REMARKS</u>
1	16263883W10	JOINT ROD	1	
2	16500ZJ1890	CONTROL ASSY., AUTO THROTTLE	1.....	INCLUDES ITEMS W/#
3	16534ZJ1840	SPRING STARTER	1	
4◆	16550ZJ1841	ARM COMP., GOVERNOR	1.....	UP TO S/N 2020000
4◆	16550ZJ1842	ARM COMP., GOVERNOR	1.....	FROM S/N 2020001
4◇	16550ZJ1842	ARM COMP., GOVERNOR	1	
5	16555ZJ1840	ROD, GOVERNOR	1	
6	16561ZJ1850	SPRING, GOVERNOR, MANUAL	1	
7	16562ZJ1840	SPRING, THROTTLE RETURN	1	
8#	16584883300	SPRING, CONTROL ADJUSTING	2	
9	16611ZJ1840	ROD, CHOKE CONTROL	1	
10	16628ZJ1850	ROD, CHOKE KNOB	1	
11	17951921030	KNOB, CHOKE	1	
12	17957ZV4000	BUSH, LINKAGE	1	
13	90014952000	BOLT, FLANGE, 6X14	2	
14	90015ZE3790	BOLT, GOVERNOR ARM	1	
15#	92301050250A	BOLT, RECESSED, 5X25	1	
16#	93500050350A	SCREW, PAN, 5X35	1	
17	9405006000	NUT, FLANGE 6MM	1	



◆GX610K1VD: Model GAC9.7HZ AUG. 2007 AND BELOW

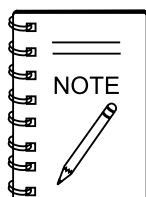
◇GX610U1VD: Model GAC9.7HZ JAN. 2008 AND ABOVE

HONDA GX610K1VD/U1VD ENGINE — CRANKCASE COVER ASSY.



HONDA GX610K1VD/U1VD ENGINE — CRANKCASE COVER ASSY.

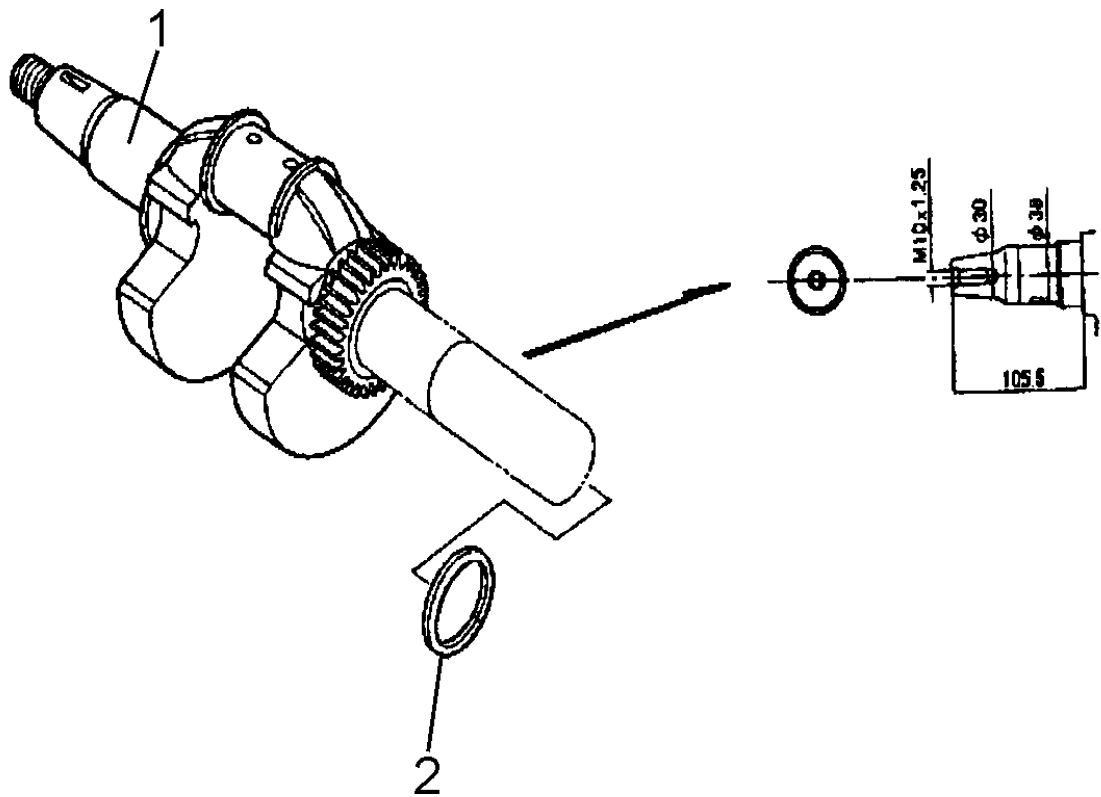
NO.	PART NO.	PART NAME	QTY.	REMARKS
1◆	11300ZJ1850	COVER ASSY., CRANKCASE	1.....	UP TO S/N 2017181 INCLUDES ITEMS W/\$
1◆	11300ZJ1851	COVER ASSY., CRANKCASE	1.....	FROM S/N 2017182 INCLUDES ITEMS W/\$
1◇	11300ZJ1852	COVER ASSY., CRANKCASE	1.....	UP TO S/N 1022498 INCLUDES ITEMS W/\$
1◇	11300ZJ1853	COVER ASSY., CRANKCASE	1.....	FROM S/N 1009791 INCLUDES ITEMS W/\$
2	11381ZJ1840	GASKET, CASE COVER	1	
3	12105ZA0701	BOLT, SEALING	1	
4	15120ZJ1000	COVER ASSY., OIL PUMP, TWO BOLTS	1	
4◇	15120ZJ1000	COVER ASSY., OIL PUMP, TWO BOLTS.....	1.....	UP TO S/N 1022498
4◇	15120ZJ1010	COVER ASSY., OIL PUMP, THREE BOLTS	1	
5	15124ZJ1003	ROTOR, OIL PUMP OUTER	1	
6	15232ZJ1000	SPRING, RELIEF VALVE	1	
7	15348ZJ1840	COVER, OIL FILTER	1	
8	154000ZJ1004	CARTRIDGE, OIL FILTER	1	
10	15411ZJ1840	BASE OIL FILTER	1	
11	15427ZJ1000	SCREEN, OIL FILTER	1	
12	15655ZJ1861	GAUGE COMP., OIL LEVEL	1	
13\$	16510ZJ1840	GOVERNOR ASSY.	1.....	INCLUDES ITEMS W/#
14#	16511ZJ1840	WEIGHT GOERNOR	3	
15#	16512ZJ1840	HOLDER, GOVERNOR WEIGHT	1	
16#	16513ZE2000	PIN, GOVERNOR WEIGHT	3	
17◆\$	16531Z0A000	SLIDER, GOVERNOR	1.....	UP TO S/N 2017181
17◆\$	16531ZE2000	SLIDER, GOVERNOR	1.....	FROM S/N 2017182
17◇\$	16531Z0A000	SLIDER, GOVERNOR	1	
20	90015883000	BOLT, FLANGE, 6X28	3	
21	90018PN3000	HOLDER, OIL FILTER	1	
22\$	90473147000	WASHER, 6X16	1	
23\$	90602ZE1000	CLIP, GOVERNOR HOLDER	1	
24	91202ZJ1841	OIL SEAL, 35X58X9	1	
25	91302ZE9003	O-RING, 11.8X2.4	2	
26\$	9410106800	WASHER, FLAT, 6MM	1	
27	9430108140	DOWEL PIN, 8X14	2	
28	957010602000	BOLT, FLANGE, 6X20	3	
29	957010805000	BOLT, FLANGE, 8X50	9	
30	9621112000	BALL, STEEL, #12 (3/8)	1	
31	966000601600	BOLT, SOCKET 6X16	2	
33	12105ZA0701	BOLT, SEALING	2	



◆GX610K1VD: Model GAC9.7HZ AUG. 2007 AND BELOW

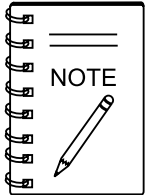
◇GX610U1VD: Model GAC9.7HZ JAN. 2008 AND ABOVE

HONDA GX610K1VD/U1VD ENGINE — CRANKSHAFT ASSY.



HONDA GX610K1VD/U1VD ENGINE — CRANKSHAFT ASSY.

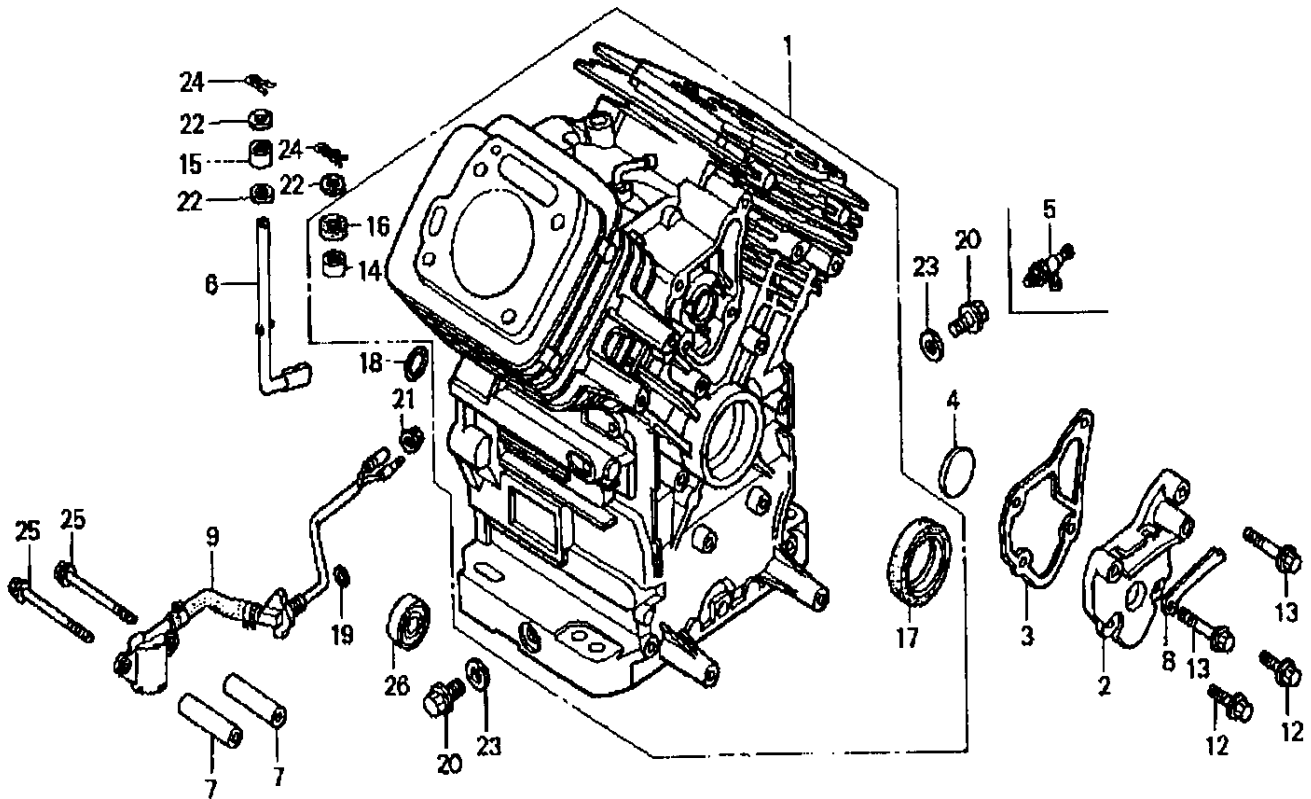
<u>NO.</u>	<u>PART NO.</u>	<u>PART NAME</u>	<u>QTY.</u>	<u>REMARKS</u>
1	13310ZJ1880	CRANKSHAFT COMP.	1	
2◇	90401ZJ1000	WASHER, CRANKSHAFT THRUST	1	



◆GX610K1VD: Model GAC9.7HZ AUG. 2007 AND BELOW

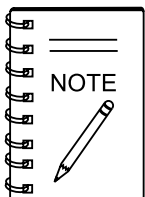
◇GX610U1VD: Model GAC9.7HZ JAN. 2008 AND ABOVE

HONDA GX610K1VD/U1VD ENGINE — CYLINDER BARREL ASSY.



HONDA GX610K1VD/U1VD ENGINE — CYLINDER BARREL ASSY.

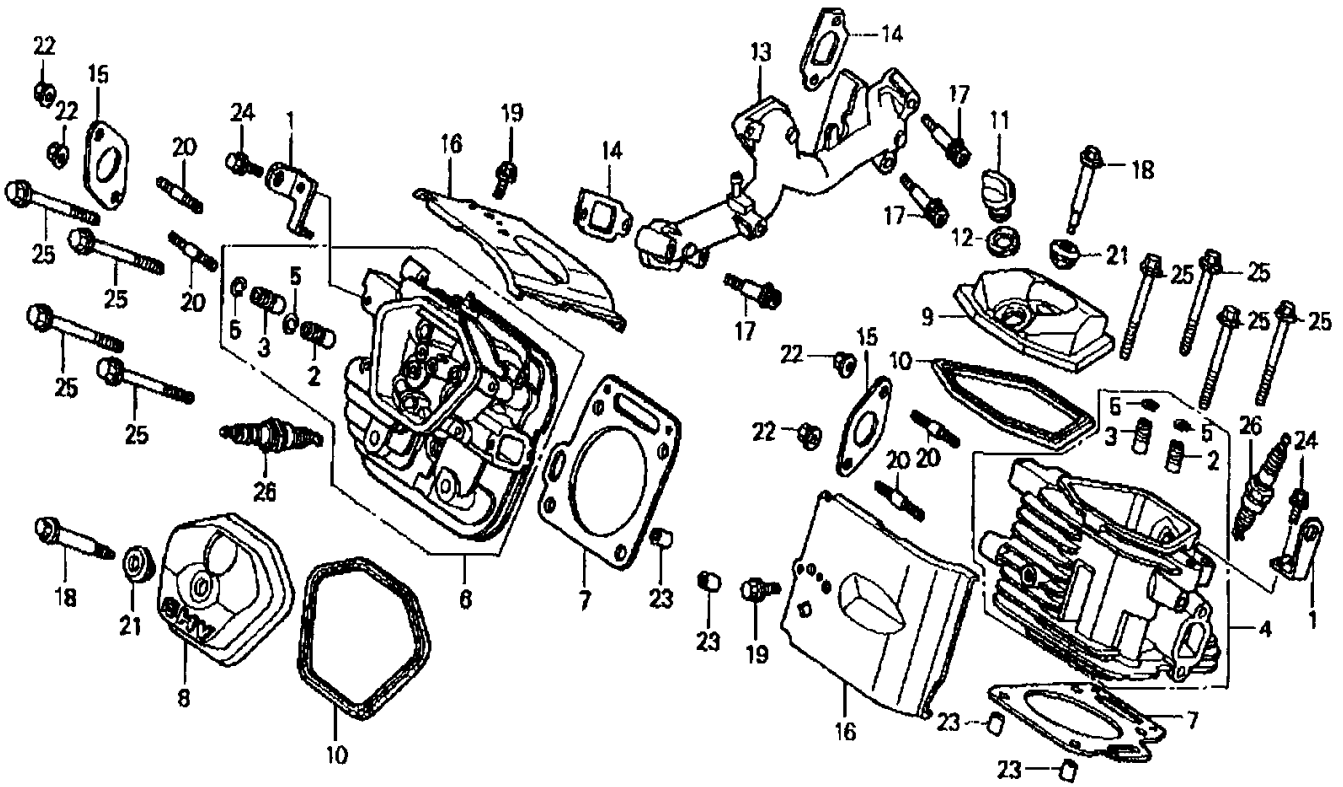
NO.	PART NO.	PART NAME	QTY.	REMARKS
1◆	12000ZJ1406	BARREL ASSY., CYLINDER	1.....	INCLUDES ITEMS W/\$
1◇	12000ZJ1406	BARREL ASSY., CYLINDER	1.....	UP TO S/N 1077902
			INCLUDES ITEMS W/\$
1◇	12000ZJ1416	BARREL ASSY., CYLINDER	1.....	FROM S/N 1077903
			INCLUDES ITEMS W/\$
2	12356ZJ1000	COVER BREATHER	1	
3	12358ZJ1000	PACKING, BREATHER COVER	1	
4	12372ZE2300	VALVE, BREATHER	1	
5	15558ZJ1003	VALVE, OIL SHUT-OFF	1	
6	16541ZJ1840	SHAFT, GOVERNOR ARM	1	
7	25523VD6010	COLLAR, FILTER SETTING	1	
8	31511ZJ1000	CLAMPER CORD	1	
9◆	35480ZJ1841	SWITCH ASSY., OIL LEVEL	1	
9◇	35480ZJ1841	SWITCH ASSY., OIL LEVEL.....	1.....	USE UP TO S.N 1068428
9◇	35480ZJ1842	SWITCH ASSY., OIL LEVEL.....	1.....	USE FROM S/N 1068429
12	90029888000	BOLT, FLANGE, 6X16	2	
13	90031ZE1000	BOLT, FLANGE, 6X32	2	
14\$	91001ZJ1841	BEARING NEEDLE, 8X12.7X11.1	1	
15	91002ZJ1841	BEARING NEEDLE, 8X12X10	1	
16\$	91201ZE9003	OIL SEAL, 8X14X5	1	
17\$	91201ZJ1841	OIL SEAL, 38X58X9	1	
18	91302MB6830	O-RING, 13X3.0	1	
19	91353671004	O-RING, 14MM	1	
20	9280014000	BOLT, DRAIN PLUG, 14MM	2	
21	9405010000	NUT, FLANGE, 10MM	1	
22	9410208800	WASHER, FLAT, 8MM	3	
23	9410914000	WASHER, DRAIN PLUG, 14MM	2	
24	9425108000	PIN, LOCK, 8MM	2	
25	957010607509	BOLT, FLANGE, 6X75	2	
26	961406003010	BEARING, RADIAL BALL, 6003	1	



◆GX610K1VD: Model GAC9.7HZ AUG. 2007 AND BELOW

◇GX610U1VD: Model GAC9.7HZ JAN. 2008 AND ABOVE

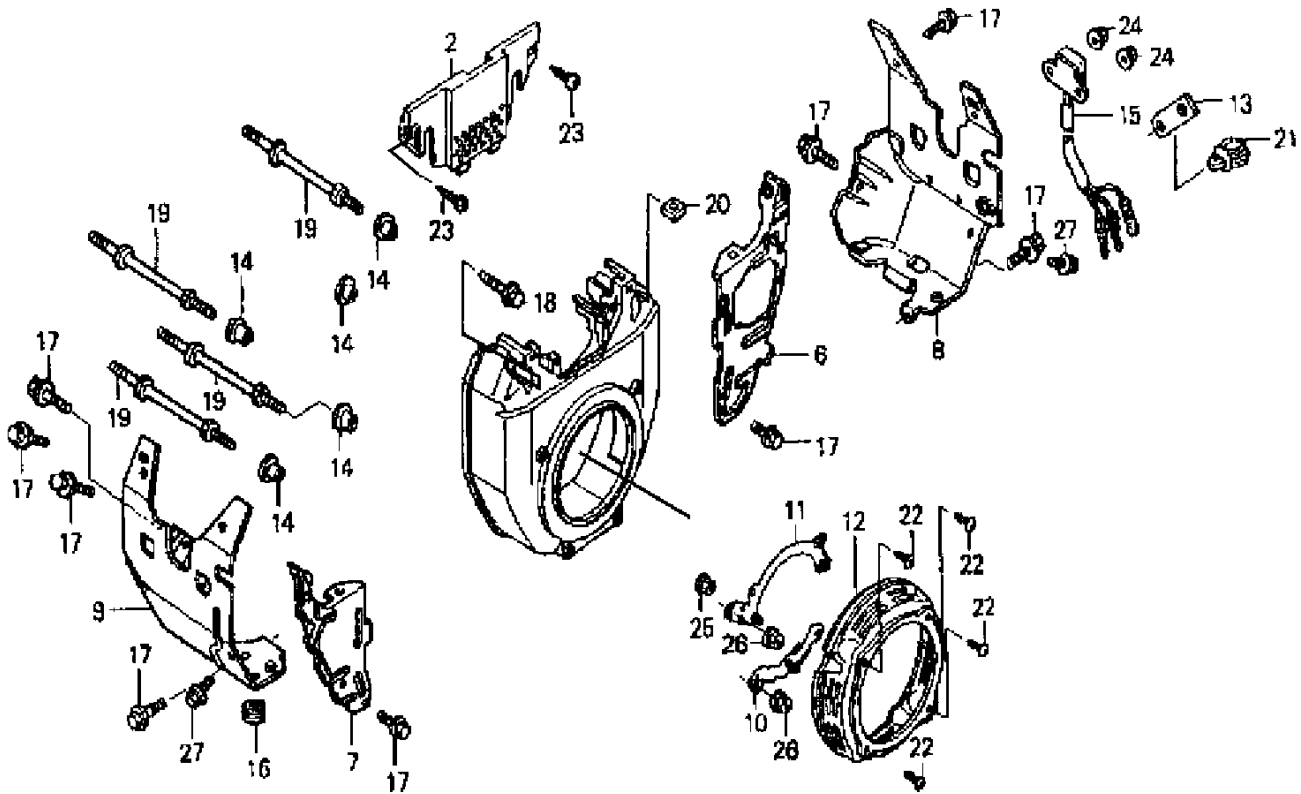
HONDA GX610K1VD/U1VD ENGINE — CYLINDER HEAD ASSY.



HONDA GX610K1VD/U1VD ENGINE — CYLINDER HEAD ASSY.

<u>NO.</u>	<u>PART NO.</u>	<u>PART NAME</u>	<u>QTY.</u>	<u>REMARKS</u>
1	11911ZJ1840	HANGER, ENGINE	1	
2#\$	12204ZE2306	GUIDE, INTAKE VALVE (OS)	2	
3#\$	12205ZE1405	GUIDE, EXHAUST VALVE (OS)	2	
4	12210ZJ1406	HEAD COMP., CYLINDER #1.....	1.....	INCLUDES ITEMS W/#
5#\$	12216ZE2300	CLIP, VALVE GUIDE	4	
6	12220ZJ1405	HEAD COMP., CYLINDER #2.....	1.....	INCLUDES ITEMS W\$
7	12251ZJ1841	GASKET, CYLINDER HEAD	1	
8	12311ZJ1840	COVER, HEAD	1	
9	12314ZJ1840	COVER, HEAD FILLER	1	
10	12391ZE2020	PACKING HEAD COVER	2	
11	15611MB0000	CAP, OIL FILLER	1	
12	15625ZJ1840	PACKING, OIL FILLER CAP	1	
13	17101ZJ1840	MANIFOLD INTAKE	1	
14	17151ZJ1841	GASKET, INTAKE MANIFOLD	2	
15	18333ZE3800	GASKET, EXHAUST PIPE	2	
16	19682ZJ1840	SHROUD, HEAD	2	
17	90011ZJ1841	BOLT, SOCKET, 8X45	4	
18	90014ZE2000	BOLT, HEAD COVER	2	
19	90014952000	BOLT, FLANGE, 6X14	2	
20	90018ZJ1840	BOLT, STUD (8X22)	2	
21	90441ZE2010	WASHER, HEAD COVER	1	
22	9405008000	NUT, FLANFE, 8MM	4	
23	9430112200	PIN A, DOWEL (12X20)	4	
25	957011008000	BOLT, FLANGE, 10X80	8	
26	9807952876	SPARK PLUG (BPR5ES) (NGK)	2	
26	980795485V	SPARK PLUG (J14CR-U) (DENSO)	2	

HONDA GX610K1VD/U1VD ENGINE — FAN COVER ASSY.



HONDA GX610K1VD/U1VD ENGINE — FAN COVER ASSY.

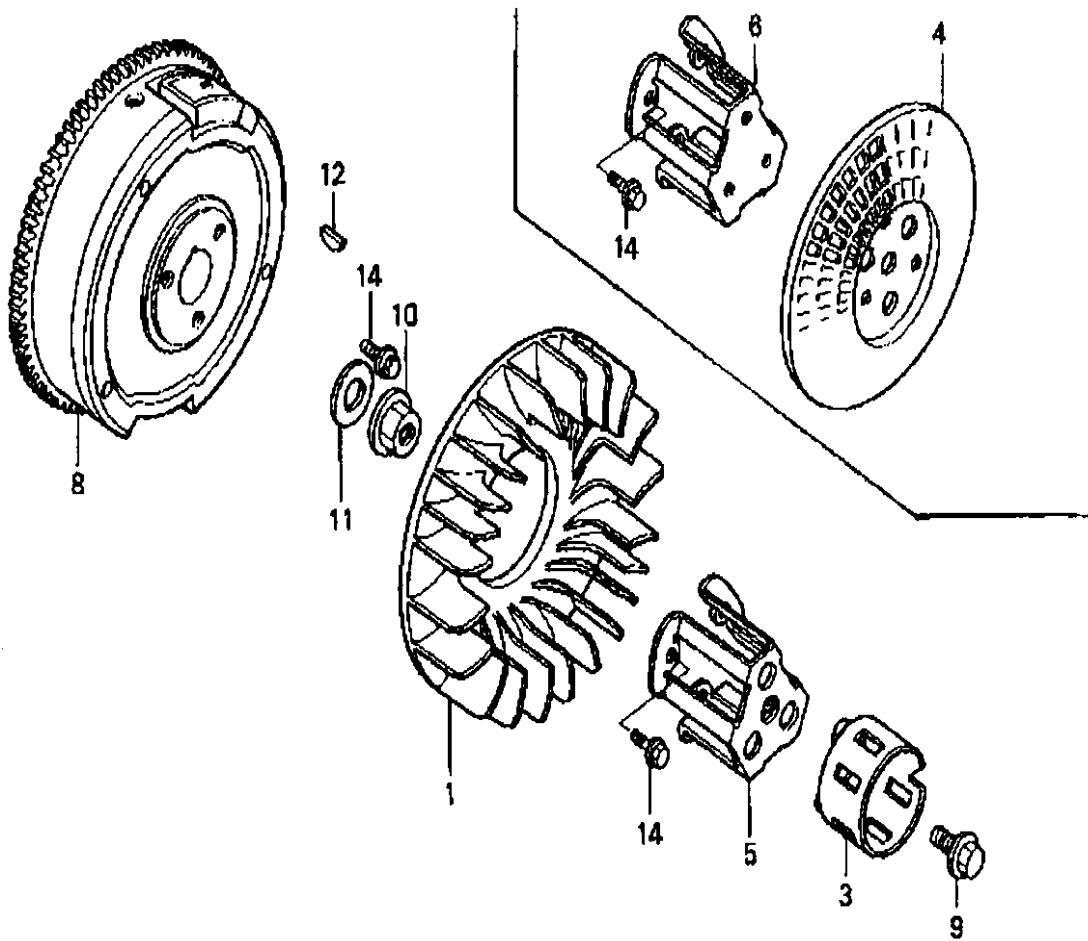
NO.	PART NO.	PART NAME	QTY.	REMARKS
2	16715ZJ1860	COVER, FUEL PUMP MANUAL CHOKE	1	
4◆	19611ZJ1800ZB	COVER, FAN , RECOIL START (R8) RED	1	USE UP TO S/N 2021866
4◆	19611ZJ1800ZC	COVER, FAN , RECOIL START (R280) RED	1	USE FROM S/N 2021867
4◇	19611ZJ1800ZC	COVER, FAN , RECOIL START (R280) RED	1	
6	19612ZJ1840	PLATE, R. SIDE	1	USE UP TO S/N 2017309
6◆	19612ZJ1841	PLATE, R. SIDE	1	USE FROM S/N 2017310
6◇	19612ZJ1841	PLATE, R. SIDE	1	
7	19614ZJ1840	PLATE, L. SIDE	1	USE UP TO S/N 2017309
7◆	19614ZJ1841	PLATE, L. SIDE	1	USE FROM S/N 2017310
7◇	19614ZJ1841	PLATE, L. SIDE	1	
8	19631ZJ1850	SHROUD, R. (OIL ALERT)	1	
9◆	19632ZJ1840	SHROUD, L.	1	USE UP TO S/N 2017309
9◆	19632ZJ1841	SHROUD, L.	1	USE FROM S/N 2017310
9◇	19632ZJ1841	SHROUD, L.	1	
10	28491ZJ1840	STAY A, RECOIL STARTER	1	
11	28492ZJ1840	STAY B, RECOIL STARTER	1	
12◆	28496ZJ1840ZB	COVER, RECOIL START STAY R8 RED	1	USE UP TO S/N 2021866
12◆	28496ZJ1840ZC	COVER, RECOIL START STAY R280 RED	1	USE FROM S/N 2021867
12◇	28496ZJ1840ZC	COVER, RECOIL START STAY R280 RED	1	
13	32103ZG8000	BRACKET, WIRE HARNESS CLIP	1	
14	33713GC2000	COLLAR B TAILLIGHT	6	
15◆	34150ZJ1841	ALERT UNIT, OIL	1	USE UP TO S/N 2049759
15◆	34150ZJ1842	ALERT UNIT, OIL	1	USE UP TO S/N 2049760
15◇	34150ZJ1842	ALERT UNIT, OIL	1	USE UP TO S/N 1066058
15◇	34150ZJ1843	ALERT UNIT, OIL	1	USE UP TO S/N 1066059
16	80101310000	RUBBER, RR FENDER CUSHION	1	
17	90013883000	BOLT, FLANGE (6X12)	10	
18	90018ZE1000	BOLT, FLANGE (6X23)	2	
19	90042ZJ1840	BOLT, STUD (6X71)	4	
20	90313ZJ1840	NUT, SQUARE 5 MM		
21	91558SD5003	CLIP, WIRE HARNESS , BLACK	1	
22	9390335380	SCREW, TAPPING (5X16)	2	
23	9391325580	SCREW, TAPPING (5X20)	2	
24	9405005000	NUT, FLANGE (5 MM)	2	
25	9405006070	NUT, FLANGE (6 MM)	4	
26	957010600800	BOLT, FLANGE (6X8)	2	



◆GX610K1VD: Model GAC9.7HZ AUG. 2007 AND BELOW

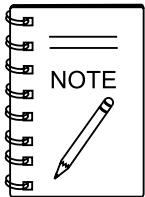
◇GX610U1VD: Model GAC9.7HZ JAN. 2008 AND ABOVE

HONDA GX610K1VD/U1VD ENGINE — FLYWHEEL ASSY.



HONDA GX610K1VD/U1VD ENGINE — FLYWHEEL ASSY.

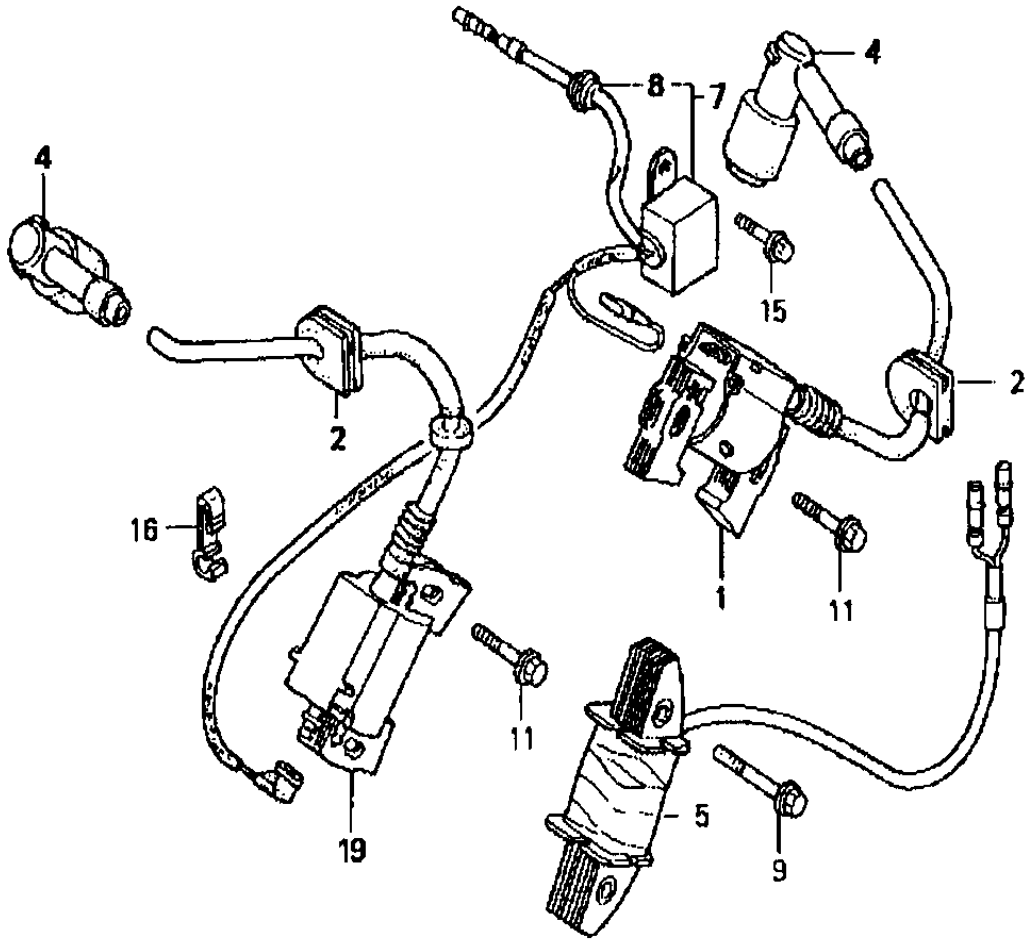
<u>NO.</u>	<u>PART NO.</u>	<u>PART NAME</u>	<u>QTY.</u>	<u>REMARKS</u>
1	19511ZJ1000	FAN, COOLING	1	
3	28451ZJ1801	PULLEY, STARTER	1	
4	28452ZJ1811	GRID SCREEN	1	
5	28453ZJ1801	SPACER, STARTER PULLEY MT.	1	
6	28454ZJ1801	HOLDER, SCREEN GRID	1	
8	31110ZJ1850	FLYWHEEL COMP.	1	
9	90013ZJ1800	BOLT, UBS (12X28)	1	
10	90201ZG3000	NUT, FLANGE (20MM)	1	
11	90401ZG3000	WASHER (20MM)	1	
12	90741ZE2000	KEY, SPECIAL WOODRUFF (25X18)	1	
14	957010801600	BOLT, FLANGE (8X16)	3	



◆GX610K1VD: Model GAC9.7HZ AUG. 2007 AND BELOW

◇GX610U1VD: Model GAC9.7HZ JAN. 2008 AND ABOVE

HONDA GX610K1VD/U1VD ENGINE — IGNITION COIL ASSY.



HONDA GX610K1VD/U1VD ENGINE — IGNITION COIL ASSY.

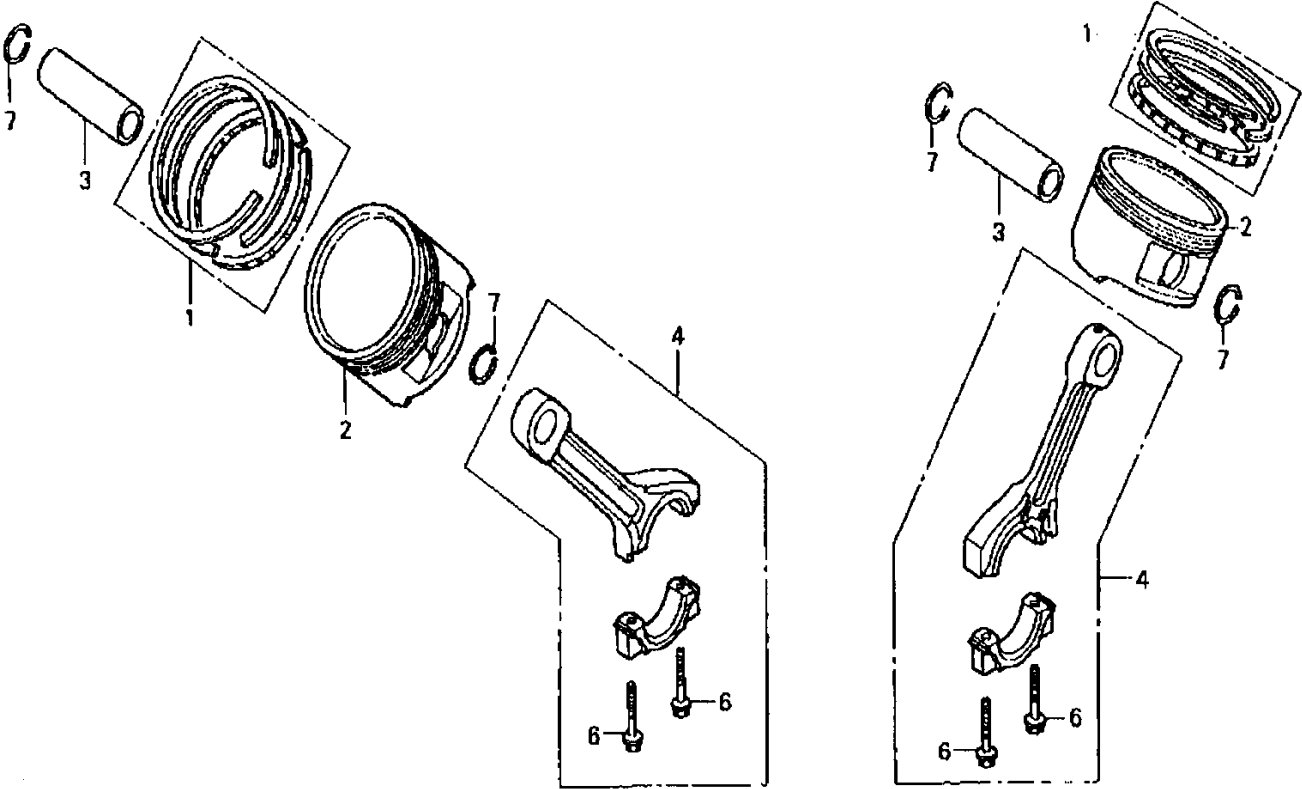
NO.	PART NO.	PART NAME	QTY.	REMARKS
1◆	30500ZJ1841	COIL ASSY., IGNITION.....	1.....	USE UP TO S/N 2018397
1◆	30500ZJ1842	COIL ASSY., IGNITION.....	1.....	S/N's 2018398~2047154
1◆	30500ZJ1843	COIL ASSY., IGNITION.....	1.....	S/N's 2047155~2049300
1◆	30500ZJ1844	COIL ASSY., IGNITION.....	1.....	USE FROM S/N 2049301
1◇	30500ZJ1844	COIL ASSY., IGNITION.....	1.....	USE UP TO S/N 1020628
1◇	30500ZJ1845	COIL ASSY., IGNITION.....	1.....	USE FROM S/N 1020629
2	30518ZJ1000	GROMMET, HIGH TENSION WIRE	2	
4	30700ZJ1841	CAP ASSY., NOISE SUPPRESSOR	2	
5	31510ZE1811	COIL ASSY., CHARGE (12V/3A)	1	
7◆	31740ZJ1851	DOIDE ASSY., ENGINE STOP	1	INCLUDES ITEM W/#
7◇	31740ZJ1851	DOIDE ASSY., ENGINE STOP	1.....	USE UP TO S/N 1065525
7◇	31740ZJ1852	DOIDE ASSY., ENGINE STOP	1.....	USE FROM S/N 1065526
8#	63312ZA7000	GROMMET, TOOL		
9	90031ZE1000	BOLT, FLANGE (6X32)	2	
11	90031ZE1000	BOLT, FLANGE (6X32)	2	
15	957010600800	BOLT, FLANGE (6X8)	1	
16	32763PA0000	CLAMP, CORD	1	
17	31630ZJ0881	COIL ASSY., CHARGE (12V/3A)	1	
19◆	30500ZJ1841	COIL ASSY., IGNITION.....	1.....	USE UP TO S/N 2018565
19◆	30500ZJ1842	COIL ASSY., IGNITION.....	1.....	S/N's 2018566~2047154
19◆	30500ZJ1843	COIL ASSY., IGNITION.....	1.....	S/N's 2047155~2049300
19◆	30500ZJ1844	COIL ASSY., IGNITION.....	1.....	USE FROM S/N 2049301
19◇	30500ZJ1844	COIL ASSY., IGNITION.....	1.....	USE UP TO S/N 1020628
19◇	30500ZJ1845	COIL ASSY., IGNITION.....	1.....	USE FROM S/N 1020629



◆GX610K1VD: Model GAC9.7HZ AUG. 2007 AND BELOW

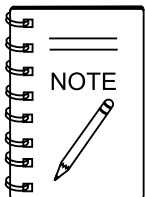
◇GX610U1VD: Model GAC9.7HZ JAN. 2008 AND ABOVE

HONDA GX610K1VD/U1VD ENGINE — PISTON ASSY.



HONDA GX610K1VD/U1VD ENGINE — PISTON ASSY.

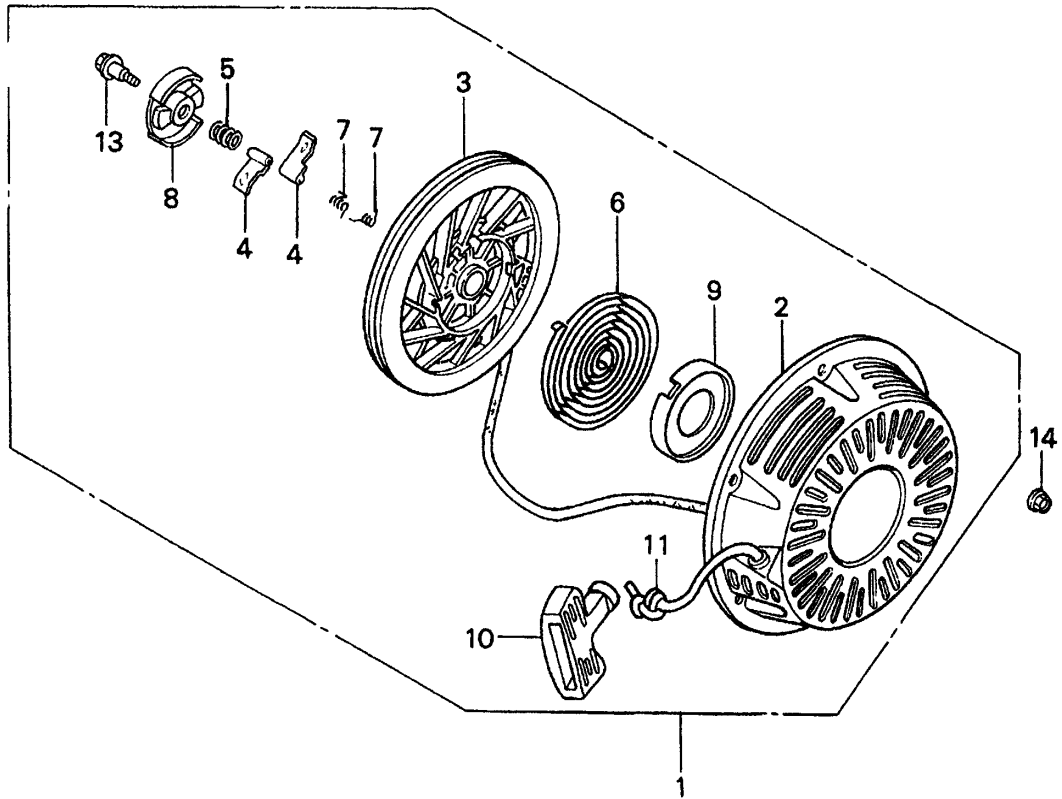
NO.	PART NO.	PART NAME	QTY.	REMARKS
1◆	13010ZJ1841	RING SET, PISTON (STD)	2	
1◇	13010ZJ1841	RING SET, PISTON (STD)	2	UP TO S/N 1077252
1◇	13010Z5H004	RING SET, PISTON (STD)	2	
1◆	13011ZJ1841	RING SET, PISTON (0.25) (OPTIONAL)	2	
1◆	13011ZJ1841	RING SET, PISTON (0.25) (OPTIONAL)	2	UP TO S/N 1026785
1◇	13011Z5H004	RING SET, PISTON (0.25) (OPTIONAL)	1	
1◆	13012ZJ1841	RING SET, PISTON (0.50) (OPTIONAL)	2	
1◇	13012ZJ1841	RING SET, PISTON (0.50) (OPTIONAL)	2	UP TO S/N 1077252
1◇	13012Z5H004	RING SET, PISTON (0.50) (OPTIONAL)	2	FROM S/N 1077253
1◆	13013ZJ1841	RING SET, PISTON (0.75) (OPTIONAL)	2	
1◇	13013ZJ1841	RING SET, PISTON (0.75) (OPTIONAL)	2	FROM S/N 107752
1◇	13013Z5H004	RING SET, PISTON (0.75) (OPTIONAL)	1	UP TO S/N 1026786
2◆	13101ZJ1840	PISTON (STD)	2	
2◆	13102ZJ1840	PISTON (0.25)	2	
2◇	13102ZJ1840	PISTON (0.25)	2	UP TO S/N 1077252
2◇	13102ZJ1841	PISTON (0.25)	2	FROM S/N 1077253
2◆	13103ZJ1840	PISTON (0.50)	2	
2◇	13103ZJ1841	PISTON (0.50)	2	USE UP TO S/N 1026786
2◇	13103ZJ1840	PISTON (0.50)	2	USE FROM S/N 1077252
2◆	13104ZJ1840	PISTON (0.75)	2	
2◇	13104ZJ1841	PISTON (0.75)	2	
2◇	13104ZJ1840	PISTON (0.75)	2	USE FROM S/N 1077252
3	13111ZJ1840	PIN, PISTON	1	
4	13200ZJ1841	ROD ASSY., CONNECTING (STD)	1	INCLUDES ITEMS W/\$
5\$	90001ZN1000	BOLT, CONNECTING ROD, 6X37	4	
6◆	9460118000	CLIP, PISTON PIN (18MM)	4	
6◇	90551ZE1000	CLIP, PISTON PIN (18MM)	4	



◆GX610K1VD: Model GAC9.7HZ AUG. 2007 AND BELOW

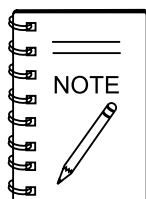
◇GX610U1VD: Model GAC9.7HZ JAN. 2008 AND ABOVE

HONDA GX610K1VD/U1VD ENGINE — RECOIL STARTER ASSY.



HONDA GX610K1VD/U1VD ENGINE — RECOIL STARTER ASSY.

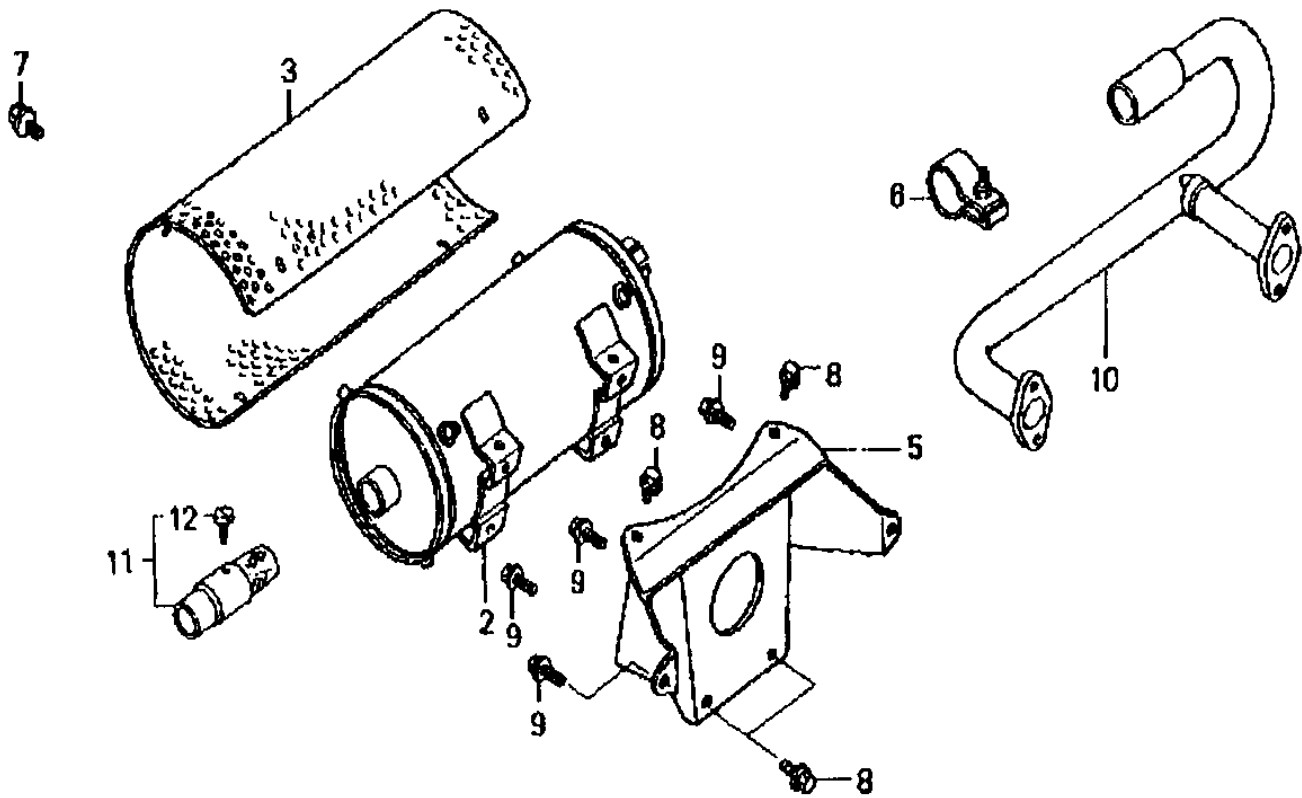
NO.	PART NO.	PART NAME	QTY.	REMARKS
1◆	28400ZE3W01ZA	STARTER ASSY., RECOIL *R8* (RED)	1.....	INCLUDES ITEMS W/\$
1◇	28400ZE3W01ZP	STARTER ASSY., RECOIL *R280* (RED)	1.....	INCLUDES ITEMS W/\$
2\$◆	28410ZE3W01ZA	CASE, RECOIL STARTER *R8* (RED)	1	
2\$◇	28410ZE3W01ZP	CASE, RECOIL STARTER *R280* (RED)	1	
3\$	28421ZE3W01	PULLEY, RECOIL STARTER	1	
4\$	28422ZE2W01	RATCHET, STARTER	2	
5\$	28441ZE2W01	SPRING, FRICTION	1	
6\$	28442ZE2W01	SPRING, STARTER RETURN	1	
7\$	28443ZE2W01	SPRING, RATCHET	2	
8\$	28444ZE2W01	RETAINER, SPRING	1	
9\$	28445ZE2W01	HOLDER, SPRING	1	
10\$	28461ZE2W01	GRIP, STARTER	1	
11\$	28462ZE3W01	ROPE, RECOIL STARTER	1	
13\$	90004ZE2W01	SCREW, CENTER	1	
14	9405006070	NUT, FLANGE (6X10)	3	



◆GX610K1VD: Model GAC9.7HZ JULY. 2007 AND BELOW

◇ GX610U1VD: Model GAC9.7HZ FEB. 2008 AND ABOVE

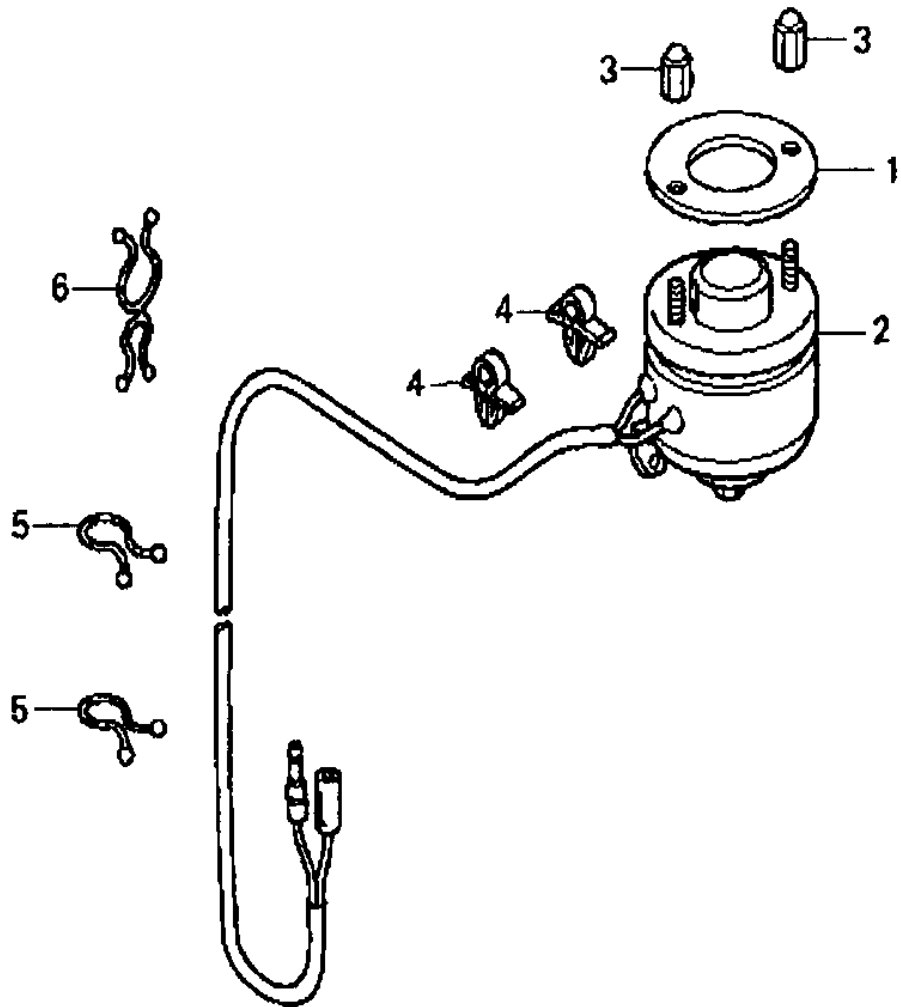
HONDA GX610K1VD/U1VD ENGINE — MUFFLER ASSY.



HONDA GX610K1VD/U1VD ENGINE — MUFFLER ASSY.

<u>NO.</u>	<u>PART NO.</u>	<u>PART NAME</u>	<u>QTY.</u>	<u>REMARKS</u>
2	18310ZJ1013	MUFFLER COMP.	1	
3	18321ZJ1003	PROTECTOR,MUFFLER	1	
5	18338ZJ1841	STAY, MUFFLER	1	
6	18396ZJ1003	BAND ASSY.	1	
7	957010600800	BOLT, FLANGE (6X8)	6	
8	957010801400	BOLT, FLANGE (8X14)	4	
9	957010802000	BOLT, FLANGE (8X20)	4	
10	18330ZJ1841	PIPE COMP., EX (HIGH-R)	1	
11	18355ZJ1003	ARRESTER, SPARK	1	
12	90009ZJ1801	SCREW	1	

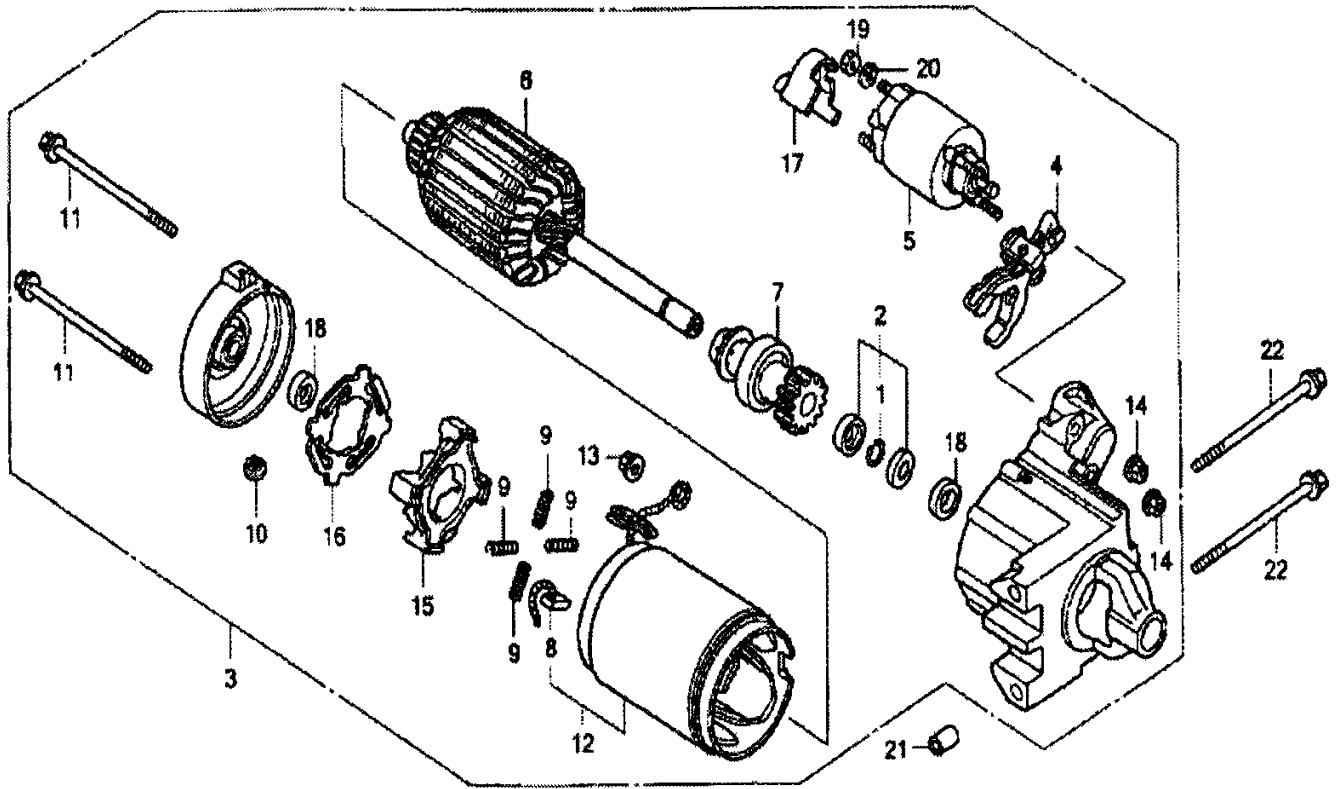
HONDA GX610K1VD/U1VD ENGINE — AUTO THROTTLE ASSY.



HONDA GX610K1VD/U1VD ENGINE — AUTO THROTTLE ASSY.

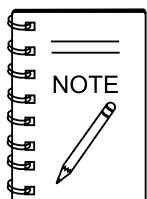
<u>NO.</u>	<u>PART NO.</u>	<u>PART NAME</u>	<u>QTY.</u>	<u>REMARKS</u>
1	36337ZJ1840	PLATE SOLENOID	1	
2	36350ZJ1841	SOLENOID ASSY., ROTARY	1	
3	90202ZJ1840	NUT, SPECIAL CAP	2	
4	90654SA4003	CLIP, WIRE HARNESS, 6MM, WHITE	2	
5	90686459711	PURSE, LOCK, 8MM	2	
6	91402ZJ1841	CLIP, PURSE LOCK	1	

HONDA GX610K1VD/U1VD ENGINE — STARTER MOTOR ASSY.



HONDA GX610K1VD/U1VD ENGINE — STARTER MOTOR ASSY.

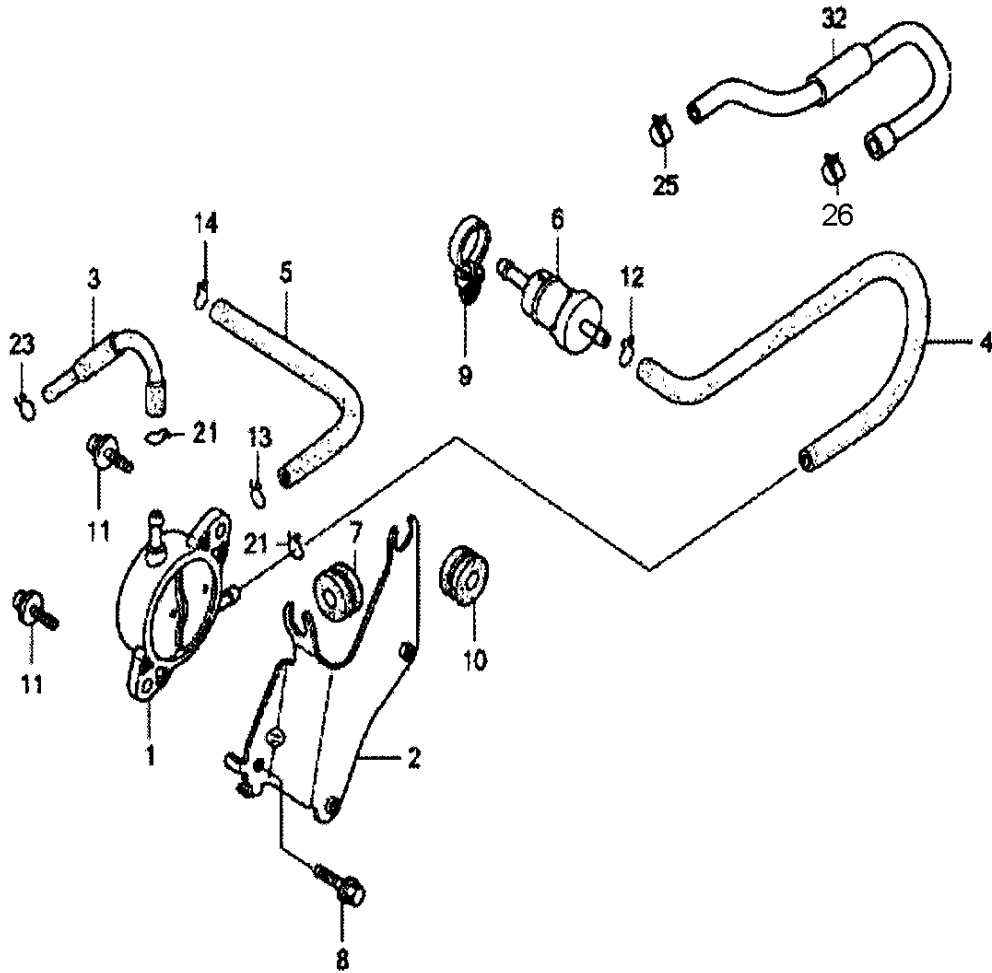
NO.	PART NO.	PART NAME	QTY.	REMARKS
1#	30201PH9004	RING, SNAP	1	
2#	30202PZ1003	COLLAR SET, CLUTCH STOP.....	1.....	INCLUDES ITEM W/\$
3◆	31200ZJ1841	MOTOR ASSY., STARTER.....	1.....	INCLUDES ITEMS W/#
3◇	31200ZJ1842	MOTOR ASSY., STARTER.....	1.....	UP TO S/N 1022942
			INCLUDES ITEMS W/#
3◇	31200ZJ1841	MOTOR ASSY., STARTER.....	1.....	FROM S/N 1064272
			INCLUDES ITEMS W/#
4#	31203PH904	LEVER, PINION DRIVE	1	
5◆#	31204ZJ1H01	SWITCH ASSY., MAGNET	1	
5◇#	31204ZJ1H01	SWITCH ASSY., MAGNET.....	1.....	UP TO S/N 1064272
5◇#	31204ZJ1H02	SWITCH ASSY., MAGNET.....	1.....	FROM S/N 1064273
6#	31206ZG4801	ARMATURE COMP.	1	
7#	31207ZJ1H01	CLUTCH., OVERRUNNING	1	
8#%	31211PH9004	BRUSH	4	
9#	31212PH9004	SPRING, BRUSH	4	
10#	31213P64N01	COVER	1	
11#	31214PH9004	BOLT	2	
12#	31218P64N01	YOKE COMP.....	1.....	INCLUDES ITEM W/%
13#	31220PH9004	NUT, HEX 8 MM	1	
14#	31223PA0006	NUT, HEX	2	
15#	31231PH9004	HOLDER, BRUSH	1	
16#	31233PH9004	INSULATOR, BRUSH HOLDER	1	
17◆#	31234ZJ1H01	COVER, TERMINAL	1	
17◇#	31234ZJ1H01	COVER, TERMINAL.....	1.....	UP TO S/N 1064272
17◇#	31234ZJ1H02	COVER, TERMINAL.....	1.....	FROM S/N 1064273
18#	91002ZG4801	BEARING A	1	
19#	94001082000S	NUT, HEX 8 MM	1	
20#	9411108000	WASHER, SPRING, 8 MM	1	
21	9430110120	DOWEL PIN, 10X12	2	
22	957010811000	BOLT, FLANFE 8X110	1	



◆GX610K1VD: Model GAC9.7HZ AUG. 2007 AND BELOW

◇GX610U1VD: Model GAC9.7HZ JAN. 2008 AND ABOVE

HONDA GX610K1VD/U1VD ENGINE — FUEL PUMP ASSY.



HONDA GX610K1VD/U1VD ENGINE — FUEL PUMP ASSY.

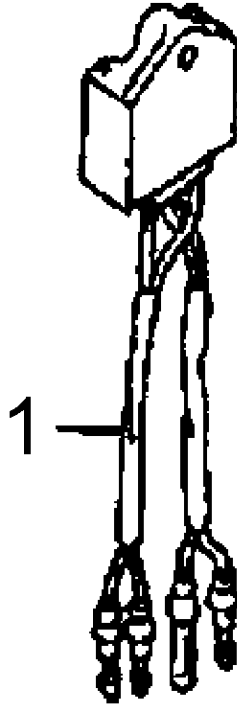
NO.	PART NO.	PART NAME	QTY.	REMARKS
1◆	16700ZJ8003	PUMP ASSY., FUEL	1.....	USE UP TO S/N 2022976
1◆	16700ZJ8013	PUMP ASSY., FUEL	1.....	USE FROM S/N 2022977
1◇	16700ZJ8013	PUMP ASSY., FUEL	1	
2	16711ZJ1840	STAY, FUEL PUMP	1	
3◆	16850ZJ1840	TUBE COMP., FUEL (A)	1	
3◇	16850Z6C841	TUBE COMP., FUEL (A)	1.....	USE UP TO S/N 1013142
3◇	16850Z6C841	TUBE COMP., FUEL (A)	1.....	USE S/N's 1013143~1089491
3◇	16850Z6C842	TUBE COMP., FUEL (A)	1.....	USE FROM S/N 1089492
4◆	16852ZJ1840	TUBE B, FUEL	1	
4◇	16852ZJ1840	TUBE B, FUEL.....	1.....	USE UP TO S/N 1013142
4◇	16852ZJ1841	TUBE B, FUEL.....	1.....	USE FROM S/N 1072338
5	16882ZJ1840	TUBE, DIAPHRAGM	1	
6	16910ZE8015	STRAINER COMP., FUEL	1	
7	19111MF5000	GROMMET, RESERVE TANK	1	
8	90014952000	BOLT, FLANGE (6X14)	1	
9	90617SA0003	CLIP, WIRE HARNESS	1	
10	91601ZJ1840	GROMMET, PUMP STAY	1	
11	938940601600	SCREW-WASHER, 6X16	2	
12	9500202080	CLIP, TUBE (B8)	1	
13	9500202100	CLIP, TUBE (B10)	1	
14	9500250000	CLIP, TUBE (C9)	1	
21	9500202100	CLIP, TUBE (B10)	1	
23	9500202080	CLIP, TUBE (B8)	1	
25◇	950024080008	CLAMP, TUBE (D8).....	2.....	USE UP TO S/N 1002961
26◇	950024085008	CLAMP, TUBE (D8.5).....	2.....	USE FROM S/N 1002962
32◇	16855Z6C841	TUBE COMP. B, FUEL	1.....	USE S/N's 1072339~1089491
32◇	16855Z6C842	TUBE COMP. B, FUEL	1.....	USE FROM S/N 1089492



◆GX610K1VD: Model GAC9.7HZ AUG. 2007 AND BELOW

◇GX610U1VD: Model GAC9.7HZ JAN. 2008 AND ABOVE

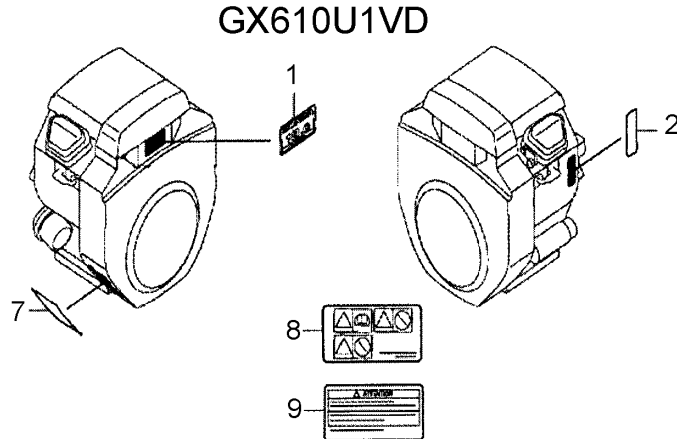
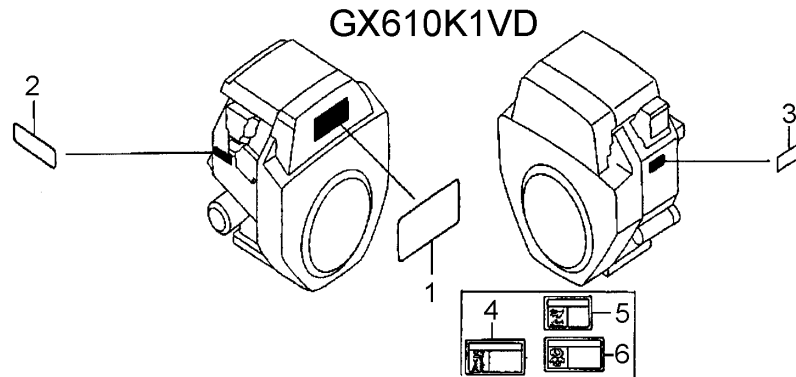
HONDA GX610K1VD/U1VD ENGINE — RECTIFIER ASSY.



HONDA GX610K1VD/U1VD ENGINE — RECTIFIER ASSY.

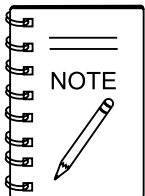
<u>NO.</u>	<u>PART NO.</u>	<u>PART NAME</u>	<u>QTY.</u>	<u>REMARKS</u>
1#	31620881A02	RECTIFIER ASSY., REGULATOR	1	

HONDA GX610K1VD/U1VD— ENGINE DECALS ASSY.



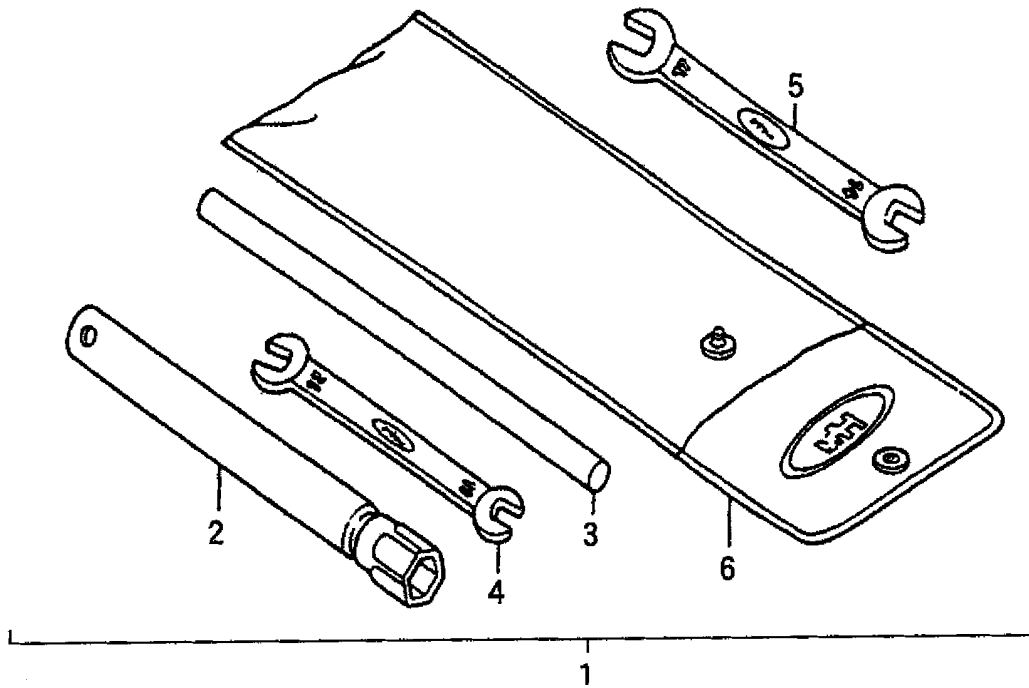
HONDA GX610K1VD/U1VD— ENGINE DECALS ASSY.

NO.	PART NO.	PART NAME	QTY.	REMARKS
1◆	87101ZJ0830	EMBLEM (18.0)	1.....	USE UP TO S/N 2021866
1◆	87101ZJ0831	EMBLEM (18.0)	1.....	USE FROM S/N 2021867
1◇	87101ZJ0831	EMBLEM (18.0)	1.....	USE UP TO S/N 1020628
1◇	87101ZJ0832	EMBLEM (6X610)	1	
2◆	87152ZJ0000	LABEL SPECIFICATION.....	1.....	USE UP TO S/N 2017952
2◆	87152ZJ0010	LABEL SPECIFICATION (GX610).....	1.....	USE UP TO S/N 2017953
2◇	87152ZJ0010	LABEL SPECIFICATION (GX610)	1	
3◆	87532ZH8810	MARK, OIL ALERT, EXTERNAL	1	
4◆	87106737J00	MARK, FUEL WARNING	1	
5◆	87539737J00	MARK, HEAT CAUTION	1	
6◆	87561733J00	MARK EXHAUST WARNING	1	
7◇	87516ZH7000	MARK OPERATOR CAUTION (ENGLISH).....	1.....	USE UP TO S/N 1036507
7◇	87516ZH7010	MARK OPERATOR CAUTION (ENGLISH).....	1.....	USE FROM S/N 1036508
7◇	87516ZH7810	MARK OPERATOR CAUTION (PICTOGRAPH) 1		
8◇	87516ZH7801	MARK OPERATOR CAUTION (FRENCH).....	1.....	USE UP TO S/N 1111458
9◇	87519ZH7000	MARK OPERATOR CAUTION (PICTOGRAPH) 1.....	1.....	USE UP TO S/N 1111458



- ◆GX610K1VD: Model GAC9.7HZ AUG. 2007 AND BELOW
- ◇GX610U1VD: Model GAC9.7HZ JAN. 2008 AND ABOVE

HONDA GX610K1VD/U1VD ENGINE — TOOL KIT



HONDA GX610K1VD/U1VD ENGINE — TOOL KIT

<u>NO.</u>	<u>PART NO.</u>	<u>PART NAME</u>	<u>QTY.</u>	<u>REMARKS</u>
1	89000ZE1000	TOOL KIT.....	1.....	INCLUDES ITEMS W/#
2#	89218ZE1000	WRENCH COMP. (SPARK PLUG)	1	
3#	89219805000	HANDLE, BOX WRENCH	1	
4#	9900110120	SAPNNER, 10X12	1	
5#	9900114170	SAPNNER, 14X17	1	
6#	9900802300	BAG TOOL	1	

TERMS AND CONDITIONS OF SALE — PARTS

PAYMENT TERMS

Terms of payment for parts are net 30 days.

FREIGHT POLICY

All parts orders will be shipped collect or prepaid with the charges added to the invoice. All shipments are F.O.B. point of origin. Multiquip's responsibility ceases when a signed manifest has been obtained from the carrier, and any claim for shortage or damage must be settled between the consignee and the carrier.

MINIMUM ORDER

The minimum charge for orders from Multiquip is \$15.00 net. Customers will be asked for instructions regarding handling of orders not meeting this requirement.

RETURNED GOODS POLICY

Return shipments will be accepted and credit will be allowed, subject to the following provisions:

1. A Returned Material Authorization must be approved by Multiquip prior to shipment.
2. To obtain a Return Material Authorization, a list must be provided to Multiquip Parts Sales that defines item numbers, quantities, and descriptions of the items to be returned.
 - a. The parts numbers and descriptions must match the current parts price list.
 - b. The list must be typed or computer generated.
 - c. The list must state the reason(s) for the return.
 - d. The list must reference the sales order(s) or invoice(s) under which the items were originally purchased.
 - e. The list must include the name and phone number of the person requesting the RMA.
3. A copy of the Return Material Authorization must accompany the return shipment.
4. Freight is at the sender's expense. All parts must be returned freight prepaid to Multiquip's designated receiving point.

5. Parts must be in new and resalable condition, in the original Multiquip package (if any), and with Multiquip part numbers clearly marked.
6. The following items are not returnable:
 - a. Obsolete parts. (If an item is in the price book and shows as being replaced by another item, it is obsolete.)
 - b. Any parts with a limited shelf life (such as gaskets, seals, "O" rings, and other rubber parts) that were purchased more than six months prior to the return date.
 - c. Any line item with an extended dealer net price of less than \$5.00.
 - d. Special order items.
 - e. Electrical components.
 - f. Paint, chemicals, and lubricants.
 - g. Decals and paper products.
 - h. Items purchased in kits.
7. The sender will be notified of any material received that is not acceptable.
8. Such material will be held for five working days from notification, pending instructions. If a reply is not received within five days, the material will be returned to the sender at his expense.
9. Credit on returned parts will be issued at dealer net price at time of the original purchase, less a 15% restocking charge.
10. In cases where an item is accepted, for which the original purchase document can not be determined, the price will be based on the list price that was effective twelve months prior to the RMA date.
11. Credit issued will be applied to future purchases only.

PRICING AND REBATES

Prices are subject to change without prior notice. Price changes are effective on a specific date and all orders received on or after that date will be billed at the revised price. Rebates for price declines and added charges for price increases will not be made for stock on hand at the time of any price change.

Multiquip reserves the right to quote and sell direct to Government agencies, and to Original Equipment Manufacturer accounts who use our products as integral parts of their own products.

SPECIAL EXPEDITING SERVICE

A \$35.00 surcharge will be added to the invoice for special handling including bus shipments, insured parcel post or in cases where Multiquip must personally deliver the parts to the carrier.

LIMITATIONS OF SELLER'S LIABILITY

Multiquip shall not be liable hereunder for damages in excess of the purchase price of the item with respect to which damages are claimed, and in no event shall Multiquip be liable for loss of profit or good will or for any other special, consequential or incidental damages.

LIMITATION OF WARRANTIES

No warranties, express or implied, are made in connection with the sale of parts or trade accessories nor as to any engine not manufactured by Multiquip. Such warranties made in connection with the sale of new, complete units are made exclusively by a statement of warranty packaged with such units, and Multiquip neither assumes nor authorizes any person to assume for it any other obligation or liability whatever in connection with the sale of its products. Apart from such written statement of warranty, there are no warranties, express, implied or statutory, which extend beyond the description of the products on the face hereof.

Effective: February 22, 2006

OPERATION AND PARTS MANUAL

HERE'S HOW TO GET HELP

PLEASE HAVE THE MODEL AND SERIAL
NUMBER ON-HAND WHEN CALLING

UNITED STATES

Multiquip Corporate Office

18910 Wilmington Ave. Tel. (800) 421-1244
Carson, CA 90746 Fax (800) 537-3927
Contact: mq@multiquip.com

Mayco Parts

800-306-2926 Fax: 800-672-7877
310-537-3700 Fax: 310-637-3284

Service Department

800-421-1244 Fax: 310-537-4259
310-537-3700

MQ Parts Department

800-427-1244 Fax: 800-672-7877
310-537-3700 Fax: 310-637-3284

Warranty Department

800-421-1244, Ext. 279 Fax: 310-537-1173
310-537-3700, Ext. 279

Technical Assistance

800-478-1244 Fax: 310-631-5032

MEXICO

MQ Cipsa

Carr. Fed. Mexico-Puebla KM 126.5 Tel: (52) 222-225-9900
Momoxpan, Cholula, Puebla 72760 Mexico Fax: (52) 222-285-0420
Contact: pmastretta@cipsa.com.mx

CANADA

Multiquip

4110 Industriel Boul. Tel: (450) 625-2244
Laval, Quebec, Canada H7L 6V3 Tel: (877) 963-4411
Contact: jmartin@multiquip.com Fax: (450) 625-8664

UNITED KINGDOM

Multiquip (UK) Limited Head Office

Unit 2, Northpoint Industrial Estate, Tel: 0161 339 2223
Global Lane, Fax: 0161 339 3226
Dukinfield, Cheshire SK16 4UJ
Contact: sales@multiquip.co.uk

© COPYRIGHT 2010, MULTIQUIP INC.

Multiquip Inc and the MQ logo are registered trademarks of Multiquip Inc. and may not be used, reproduced, or altered without written permission. All other trademarks are the property of their respective owners and used with permission.

This manual MUST accompany the equipment at all times. This manual is considered a permanent part of the equipment and should remain with the unit if resold.

The information and specifications included in this publication were in effect at the time of approval for printing. Illustrations, descriptions, references and technical data contained in this manual are for guidance only and may not be considered as binding. Multiquip Inc. reserves the right to discontinue or change specifications, design or the information published in this publication at any time without notice and without incurring any obligations.

Your Local Dealer is:



Free Manuals Download Website

<http://myh66.com>

<http://usermanuals.us>

<http://www.somanuals.com>

<http://www.4manuals.cc>

<http://www.manual-lib.com>

<http://www.404manual.com>

<http://www.luxmanual.com>

<http://aubethermostatmanual.com>

Golf course search by state

<http://golfingnear.com>

Email search by domain

<http://emailbydomain.com>

Auto manuals search

<http://auto.somanuals.com>

TV manuals search

<http://tv.somanuals.com>