

# OPERATION AND PARTS MANUAL



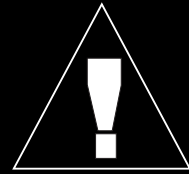
## **MODEL GAW-135H PORTABLE DC WELDER/AC GENERATOR (GASOLINE ENGINE)**

Revision #1 (06/23/04)

**THIS MANUAL MUST ACCOMPANY  
THE EQUIPMENT AT ALL TIMES.**



# WARNING



## **CALIFORNIA — Proposition 65 Warning**

Engine exhaust and some of its constituents are known to the State of California to cause cancer, birth defects and other reproductive harm.

## **HERE'S HOW TO GET HELP**

PLEASE HAVE THE MODEL AND SERIAL  
NUMBER *ON-HAND* WHEN CALLING

### **MULTIQUIP CORPORATE OFFICE**

18910 Wilmington Ave.

Carson, CA 90746

Email: [mq@multiquip.com](mailto:mq@multiquip.com)

Internet: [www.multiquip.com](http://www.multiquip.com)

800-421-1244

FAX: 310-537-3927

### **PARTS DEPARTMENT**

800-427-1244

310-537-3700

FAX: 800-672-7877

FAX: 310-637-3284

### **MAYCO PARTS**

800-306-2926

310-537-3700

FAX: 800-672-7877

FAX: 310-637-3284

### **SERVICE DEPARTMENT**

800-478-1244

310-537-3700

FAX: 310-537-4259

### **TECHNICAL ASSISTANCE**

800-478-1244

FAX: 310-631-5032

### **WARRANTY DEPARTMENT**

800-421-1244, EXT. 279

310-537-3700, EXT. 279

FAX: 310-537-1173

© COPYRIGHT 2004, MULTIQUIP INC.

Multiquip Inc, the MQ logo is a registered trademark of Multiquip Inc. and may not be used, reproduced, or altered without written permission. All other trademarks are the property of their respective owners and used with permission.

This manual MUST accompany the equipment at all times. This manual is considered a permanent part of the equipment and should remain with the unit if resold.

The information and specifications included in this publication were in effect at the time of approval for printing. Illustrations are based on the *Denyo GAW-135H Portable Welder/Generator*. Illustrations, descriptions, references and technical data contained in this manual are for guidance only and may not be considered as binding. Multiquip Inc. reserves the right to discontinue or change specifications, design or the information published in this publication at any time without notice and without incurring any obligations.

**To find the latest revision of this  
publication, visit our website at:  
[www.multiquip.com](http://www.multiquip.com)**



# TABLE OF CONTENTS

## **MQ GAW-135H — Portable AC Welder/Generator**

Here's How To Get Help .....	3
Table Of Contents .....	4
Parts Ordering Procedures .....	5
Dimensions .....	6
Specifications .....	7
Safety Alert Message Symbols .....	8-9
Rules for Safe Operation .....	10-12
Operation and Safety Decals .....	14-15
General Information .....	16
Load Application .....	17
Controls and Indicators .....	18-19
Welder/Generator Refueling .....	20
Installation .....	21-22
Pre-Inspection (Engine) .....	23
Initial Start-up (Engine) .....	24
Initial Start-up (Generator/Operation) .....	25-26
Welder Operation .....	27-28
Maintenance .....	29
Preparation For Long Term Storage .....	30
Wiring Diagram .....	31
Troubleshooting (Engine) .....	32-33
Troubleshooting (Generator) .....	34-35
Explanation Of Codes In Remarks Column .....	36
Suggested Spare Parts .....	37

## **HONDA GX200VEN2 GASOLINE ENGINE**

Cylinder Head Assembly .....	48-49
Cylinder Barrel Assembly .....	50-51
Crankcase Cover Assembly .....	52-53
Crankshaft Assembly .....	54-55
Piston Assembly .....	56-57
Camshaft Assembly .....	58-59
Recoil Starter Assembly .....	60-61
Fan Cover Assembly .....	62-63
Carburetor Assembly .....	64-65
Air Cleaner Assembly .....	66-67
Muffler Assembly .....	68-69
Fuel Cock Assembly .....	70-71
Flywheel Assembly .....	72-73
Ignition Coil Assembly .....	74-75
Rectifer Assembly .....	76-77
Control Assembly .....	78-79
Labels Assembly .....	80-81
Terms and Conditions Of Sale — Parts .....	82

## **Component Drawings**

Name Plate and Decals .....	38-39
Generator Assembly .....	40-41
Control Box Assembly .....	42-43
Pipe Frame and Fuel Tank Assembly .....	44-45
Muffler Assembly .....	46-47

# PARTS ORDERING PROCEDURES

## When ordering parts, please supply the following information:

- Dealer account number
- Dealer name and address
- Shipping address (if different than billing address)
- Return fax number
- Applicable model number
- Quantity, part number and description of each part
- Specify preferred method of shipment:
  - ✓ FedEx or UPS Ground
  - ✓ FedEx or UPS Second Day or Third Day
  - ✓ FedEx or UPS Next Day
  - ✓ Federal Express Priority One
  - ✓ DHL
  - ✓ Truck

*Note: Unless otherwise indicated by customer, all orders are treated as "Standard Orders", and will ship within 24 hours. We will make every effort to ship "Air Shipments" the same day that the order is received, if prior to 2PM west coast time. "Stock Orders" must be so noted on fax or web forms.*



## Here's how to get help...

*Please have the model and serial number on hand when calling.*

### MULTIQUIP CORPORATE OFFICE

18910 Wilmington Ave. 800-421-1244  
 Carson, CA 90746 FAX: 310-537-3927  
 Email: mq@multiquip.com  
 Internet: www.multiquip.com

### PARTS DEPARTMENT

800-427-1244 FAX: 800-672-7877  
 310-537-3700 FAX: 310-637-3284

### MAYCO PARTS

800-306-2926 FAX: 800-672-7877  
 310-537-3700 FAX: 310-637-3284

### SERVICE DEPARTMENT

800-478-1244 FAX: 310-537-4259  
 310-537-3700

### TECHNICAL ASSISTANCE

800-478-1244 FAX: 310-631-5032

### WARRANTY DEPARTMENT

800-421-1244, EXT. 279 FAX: 310-537-1173  
 310-537-3700, EXT. 279

## Place Your Parts Order Via Web or Fax For Even More Savings!

*(Domestic USA Dealers Only)*

### Extra Discounts!

All parts orders which include complete part numbers and are received by our automated web parts order system, or by fax qualify for the following extra discounts:

Ordered via	Standard orders	Stock orders (\$750 list and above)
Fax	3%	10%
Web	5%	10%

### Special freight allowances when you order 10 or more line items via Web or Fax! \*\*

FedEx Ground Service *at no charge for freight*

*No other allowances on freight shipped by any other carrier.*

*\*\*Common nuts, bolts and washers (all items under \$1.00 list price) do not count towards the 10+ line items.*

NOTE: DISCOUNTS ARE SUBJECT TO CHANGE



**MULTIQUIP INC.**  
 18910 WILMINGTON AVENUE  
 POST OFFICE BOX 6254  
 CARSON, CALIFORNIA 90749  
 310-537-3700 • 800-421-1244  
 FAX: 310-537-3927  
 E-MAIL: mq@multiquip.com  
 INTERNET: www.multiquip.com

## Direct TOLL-FREE access to our Parts Department:

Toll-free nationwide — 800-427-1244  
 Toll-free FAX — 800-6-PARTS-7 (800/672-7877)

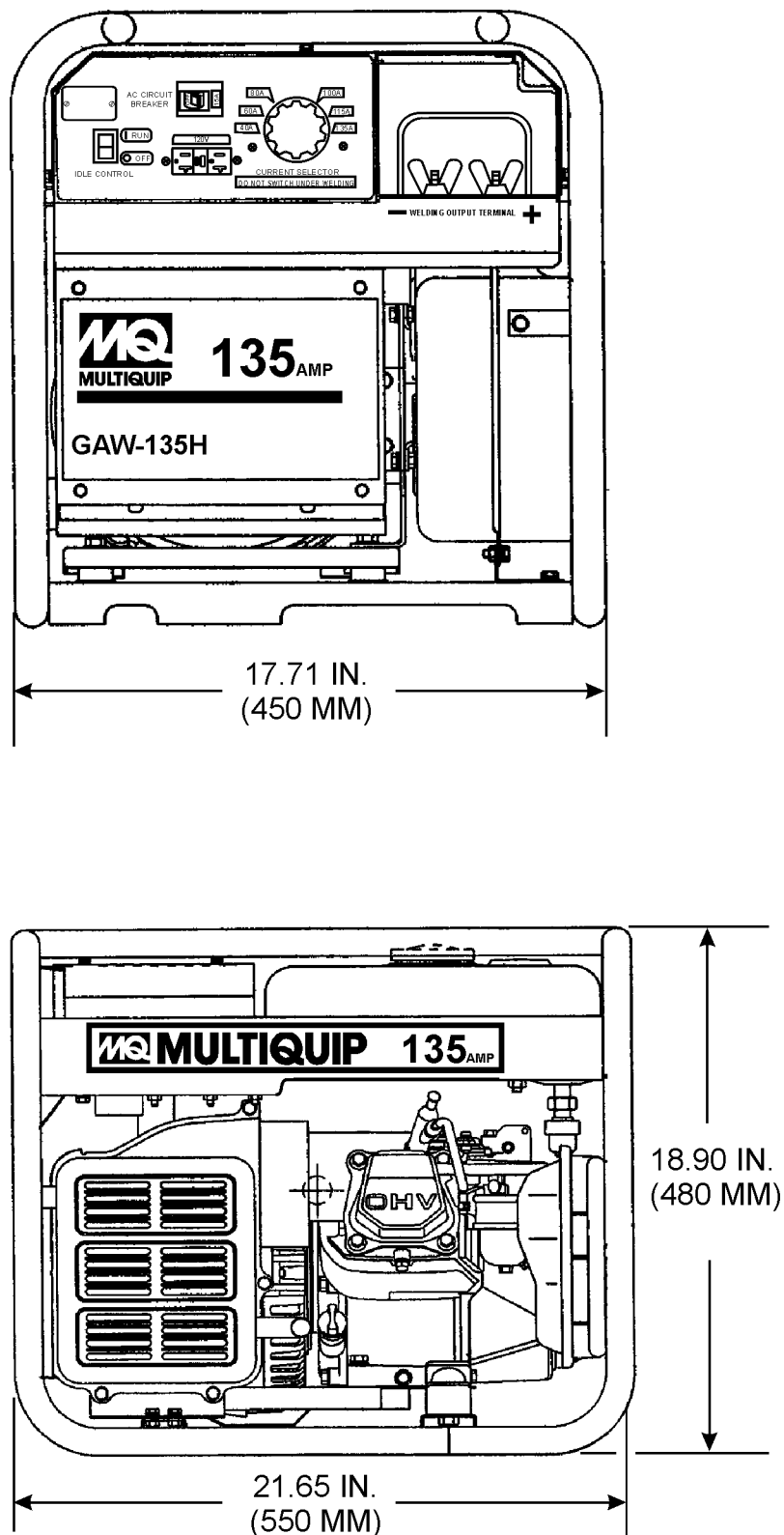


Figure 1. Dimensions

**Table 1. Specifications (Generator/Welder)**

Table 1. Specifications (Generator/Welder)		
<b>DC ARC WELDER</b>	<b>Model</b>	<b>GAW-135H</b>
	Rated Output	3.28 kW
	Max. Current	135 Amps
	Rated Current	130 Amps
	Rated Voltage	25.2 VAC
	Duty Cycle	40%
	Rated Speed	3600 RPM
	Current Range (Selectable)	40, 60, 80, 115 and 135 Amps
	Applicable Electrode Size	3/32" ~ 5/32"
<b>AC Generator</b>	Rated Output	1.5 kVA
	Rated Voltage	120 VAC
	Rated Current	12.5 Amps
	Phase	Single-phase
	Frequency	60 Hz
	Power Factor	1
Dimensions (L x W x H)		21.9 x 17.7 X 18.9 in. (555 X 450 X 480 mm)
Dry Net Weight		114.6 lbs (52 Kg.)

**Table 2. Specifications (Engine)**

Table 2. Specifications (Engine)		
<b>Engine</b>	<b>Model</b>	<b>HONDA GX200VEN2</b>
	Type	Air-cooled 4 stroke, Single Cylinder, OHV, Horizontal Shaft Gasoline Engine
	Bore X Stroke	2.68 in. X 2.13in. (68 mm x 54 mm)
	Displacement	12.0 cu. in. (196 cc)
	Max Output	5.5 H.P./3600 rpm
	Fuel Tank Capacity	1.85 U.S. Gallons (7.0 Liters)
	Fuel	Unleaded Automobile Gasoline
	Lube Oil Capacity	0.63 qt. (0.6 liter)
	Speed Control Method	Centrifugal Fly-weight Type
	Starting Method	Recoil Start
Dimensions (L x W x H)		12.3 x 14.8 X 13.2 in. (313 X 376 X 335 mm)
Dry Net Weight		35.3 lbs (16 Kg.)

### Effects of Altitude and Heat

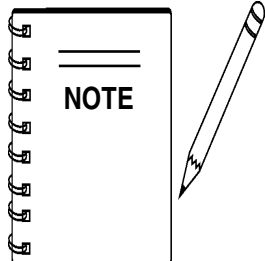
The maximum output of the engine listed above is applicable to supplying electrical power for continuous service at ambient conditions in accordance with SAE Test cord J607. The above ambient conditions are at standard sea level, with a barometric reading of 29.92 inches and a temperature of 60 degrees fahrenheit.

Generally, the engine output power will decrease 3 1/2% for each 1000 feet of altitude above sea level, and 1% for each 10° F fahrenheit above the standard temperature of 60° F

# GAW-135H — SAFETY MESSAGE ALERT SYMBOLS

## FOR YOUR SAFETY AND THE SAFETY OF OTHERS!

Safety precautions should be followed at all times when operating this equipment. Failure to read and understand the Safety Messages and Operating Instructions could result in injury to yourself and others.



This Owner's Manual has been developed to provide instructions for the safe and efficient operation of the **Multiquip Model GAW-135H Portable Generator/Welder**. Refer to the engine manufacturers instructions for data relative to its safe operation.

**Before using this generator/welder, ensure that the operating individual has read and understands all instructions in this manual.**

## SAFETY MESSAGE ALERT SYMBOLS

The three (3) Safety Messages shown below will inform you about potential hazards that could injure you or others. The Safety Messages specifically address the level of exposure to the operator, and are preceded by one of three words: **DANGER**, **WARNING**, or **CAUTION**.

### **DANGER**

You **WILL** be **KILLED** or **SERIOUSLY INJURED** if you **DO NOT** follow these directions.

### **WARNING**

You **CAN** be **KILLED** or **SERIOUSLY INJURED** if you **DO NOT** follow these directions.

### **CAUTION**

You **CAN** be **INJURED** if you **DO NOT** follow these directions.

Potential hazards associated with the **Multiquip GAW-135H Portable Generator/Welder** operation will be referenced with Hazard Symbols which appear throughout this manual, and will be referenced in conjunction with **Safety Message Alert Symbols**.

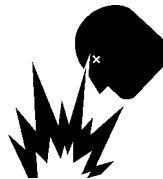
## HAZARD SYMBOLS

### **Lethal Exhaust Gases**



Engine exhaust gases contain poisonous carbon monoxide. This gas is colorless and odorless, and can cause death if inhaled. **NEVER** operate this equipment in a confined area or enclosed structure that does not provide ample free flow air.

### **Explosive Fuel**



**GASOLINE** is extremely flammable, and its vapors can cause an explosion if ignited. **DO NOT** start the engine near spilled fuel or combustible fluids. **DO NOT** fill the fuel tank while the engine is running or hot. **DO NOT** overfill tank, since spilled fuel could ignite if it comes into contact with hot engine parts or sparks from the ignition system. Store fuel in approved containers, in well-ventilated areas and away from sparks and flames. **NEVER**

### **Burn Hazards**



Engine components can generate extreme heat. To prevent burns, **DO NOT** touch these areas while the engine is running or immediately after operations. Never operate the engine with heat shields or heat guards removed.

### **Rotating Parts**



**NEVER** operate equipment with covers, or guards removed. Keep fingers, hands, hair and clothing away from all moving parts to prevent injury.



# GAW-135H — SAFETY MESSAGE ALERT SYMBOLS



## Accidental Starting



OFF

**ALWAYS** place the engine ON/OFF switch in the **OFF** position when the generator is not in use.



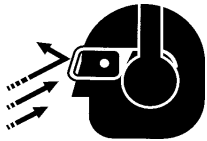
## Respiratory Hazard



**ALWAYS** wear approved respiratory protection.



## Sight and Hearing hazard

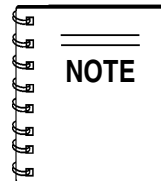


**ALWAYS** wear approved eye and hearing protection.



## Equipment Damage Messages

Other important messages are provided throughout this manual to help prevent damage to your generator, other property, or the surrounding environment.



This generator, other property, or the surrounding environment could be damaged if you do not follow instructions.

# GAW-135H — RULES FOR SAFE OPERATION

## DANGER:



Failure to follow instructions in this manual may lead to serious injury or even death! This equipment is to be operated by trained and qualified personnel only! This equipment is for industrial use only.

The following safety guidelines should always be used when operating the **generator/welder**

### GENERAL SAFETY

- **DO NOT** operate or service this equipment before reading this entire manual.



- This equipment should not be operated by persons under 18 years of age.

- **NEVER** operate this equipment without proper protective clothing, shatterproof glasses, steel-toed boots and other protective devices required by the job.



- **NEVER** operate this equipment when not feeling well due to fatigue, illness or taking of any medication.



- **NEVER** operate this equipment under the influence of drugs or alcohol.



- Whenever necessary, replace nameplate, operation and safety decals when they become difficult read.

- **ALWAYS** check the generator for loosened threads or bolts before starting.

- **ALWAYS** wear proper respiratory (mask) hearing and eye protection equipment when operating the generator/welder.

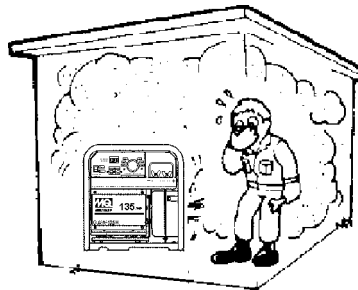


- **NEVER** touch the hot exhaust manifold, muffler or cylinder. Allow these parts to



- **High Temperatures** – Allow the engine to cool before adding fuel or performing service and maintenance functions. Contact with *hot* components can cause serious burns.

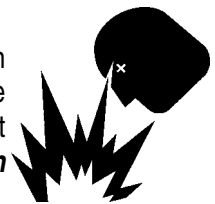
- The engine of this pump requires an adequate free flow of cooling air. **NEVER!** operate the generator in any enclosed or narrow area where free flow of the air is restricted. If the air flow is restricted it will cause serious damage to the generator or engine and may cause injury to people and property. Remember the generator's engine gives off **DEADLY** gases.



- **ALWAYS** refuel in a well-ventilated area, away from sparks and open flames.

- **ALWAYS** use extreme caution when working with **flammable** liquids. When refueling, **stop the engine** and allow it to cool. **DO NOT** smoke around or near the machine. Fire or explosion could result from fuel vapors, or if fuel is spilled on a hot engine.

- **NEVER** operate the generator/welder in an **explosive atmosphere** or near combustible materials. An explosion or fire could result causing severe **bodily harm or even death**.



- Topping-off to filler port is dangerous, as it tends to spill fuel.

- Refer to the **Honda Engine Owner's Manual** for engine technical questions or information.

- **NEVER** use accessories or attachments, which are not recommended by **Multiquip** for this equipment. Damage to the equipment and/or injury to user may result.

- Manufacturer does not assume responsibility for any accident due to equipment modifications.

# GAW-135H — RULES FOR SAFE OPERATION

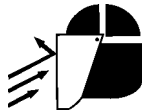
- **NEVER** run engine without air cleaner. Severe engine damage may occur.
- **ALWAYS** read, understand, and follow procedures in Operator's Manual before attempting to operate equipment.
- **ALWAYS** be sure the operator is familiar with proper safety precautions and operation techniques before using generator.
- **NEVER** leave the generator unattended, turn off engine when unattended.
- Unauthorized equipment modifications will void all warranties.
- **ALWAYS** ensure generator is on level ground before use.
- Become familiar with the components of the generator before operating.
- **ALWAYS** replace any worn or damaged warning decals.
- **ALWAYS** make sure generator is properly grounded to a suitable earth ground (**GROUND ROD**).
- **NEVER** use gas piping as an electrical ground.
- **DO NOT** place hands or fingers inside generator engine compartment when engine is running.
- **NEVER** let power cables or cords *lay in water*.
- **NEVER stand in water** while AC power from the generator is being transfer to a load.
- **NEVER** use a defective or frayed power cable. Check the cable for cuts in the insulation.
- **NEVER** use a extension cord that is frayed or damaged where the insulation has been cut.
- **ALWAYS** make certain that proper extension cord has been selected for the job See Table 3.
- The electrical voltage required to operate the generator can cause severe injury or even death through physical contact with live circuits. Turn all circuit breakers **OFF** before performing maintenance on the generator.
- **High Temperatures** – Always stop engine and allow the engine to cool before adding fuel, oil or performing service and maintenance functions. Contact with *hot* components can cause serious burns.
- **NEVER** disconnect any "*emergency or safety devices*". These devices are intended for operator safety. Disconnection of these devices can cause severe injury, bodily harm or even death! Disconnection of any of these devices will void all warranties.
- **ALWAYS** be sure the operator is familiar with proper safety precautions and operations techniques before using generator.

- **ALWAYS** make sure that electrical circuits are properly **grounded** per the **National Electrical Code** (NEC) and local codes before operating generator. Severe **injury** or **death!** by electrocution can result from operating an ungrounded generator.
- **ALWAYS** store equipment properly when it is not being used. Equipment should be stored in a clean, dry location out of the reach of children and un-authorized personnel.
- **ALWAYS** read, understand, and follow procedures in Operator's Manual before attempting to operate equipment.



## WELDING SAFETY

- **ALWAYS** remove any flammable materials in the vicinity of the generator/welder where flying sparks may come in contact. The possibility exists of a fire or an explosion which can damage the equipment and thus cause bodily harm even death!
- High current generated from the welder can affect some pacemakers. **CAUTION**, personnel who wear pacemakers should consult their doctor before operating the welder.
- When welding or watching, use a hand shield or welding helmet fitted with the proper shade filter.
- **ALWAYS** wear safety glasses with side shields or face shield Remember flying pieces of metal or dirt can injury eyes.



## Maintenance Safety

- **NEVER** lubricate components or attempt service on a running machine.
- **ALWAYS** allow the machine a proper amount of time to cool before servicing.
- Keep the machinery in proper running condition.
- Fix damage to the machine immediately and always replace broken parts, or missing decals.
- Dispose of hazardous waste properly. Examples of potentially hazardous waste are used motor oil, fuel and fuel filters.
- **DO NOT** use food or plastic containers to dispose of hazardous waste.
- **DO NOT** pour waste, oil or fuel directly onto the ground, down a drain or into any water source.
- Removing the engine oil drain plug while the engine is hot will result in hot oil to gush out of the oil drain plug, therefore causing severe scalding to any persons in the general area of the generator.



# GAW-135H — RULES FOR SAFE OPERATION

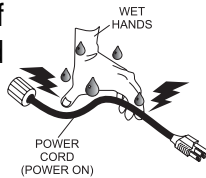
## ! DANGER

**Never** use damaged or worn cables when connecting equipment to the generator. Make sure power connecting cables are securely connected to the generator's output receptacles, incorrect connections may cause damage to the generator and electrical shock.



## ! DANGER

**NEVER** grab or touch a live power cord with wet hands, the possibility exist of electrical shock, electrocution, and even **death!**

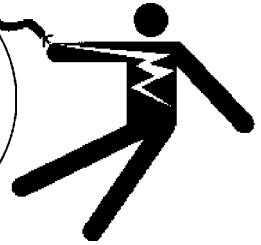
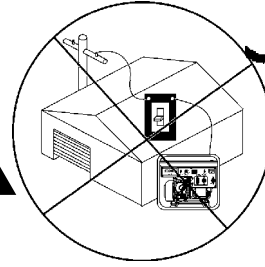
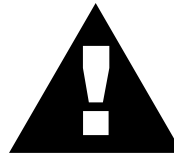


## ! DANGER

**NEVER** insert any objects into the output receptacles during operation. This is extremely dangerous. **ALWAYS** turn-off the generator and place all circuit breakers in the "OFF" position when contact with the output receptacles is required. There exist the possibility of **electrocution, electrical shock or burn, which can cause severe bodily harm or even death!**



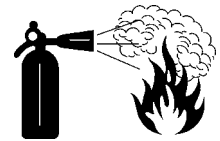
## DANGER:



- Backfeed to a utility system can cause **electrocution** and or property damage. **NEVER** connect the generator to a building's electrical system without a transfer switch or other approved device. All installations should be performed by a **licensed electrician** in accordance with all applicable laws and electrical codes. Failure to do so could result in electrical shock or burn causing serious injury or even death!

## Emergencies

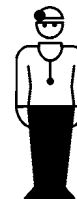
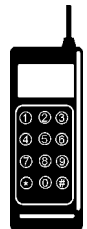
- **ALWAYS** know the location of the nearest **fire extinguisher**.



- **ALWAYS** know the location of the nearest **first aid kit**.



- In emergencies **always** know the location of the nearest phone or **keep a phone on the job site**. Also know the phone numbers of the nearest **ambulance, doctor** and **fire department**. This information will be invaluable in the case of an emergency.

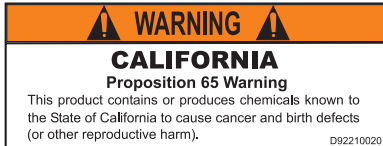




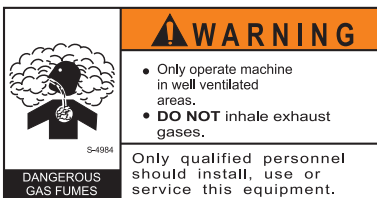
# GAW-135H — OPERATION AND SAFETY DECALS

## Machine Safety Decals

The MQ GAW-135H portable generator/welder is equipped with a number of safety decals (see below and on preceding page). These decals are provided for operator safety and maintenance information. The illustration below shows these decals as they appear on the machine. Should any of these decals become unreadable, replacements can be obtained from your dealer.



P/N 9522100204



P/N W8700611804



P/N A9511100004



P/N W8700611904



P/N D0561200004



P/N D0561000003

### OPERATING INSTRUCTIONS

1. Before starting check the oil and fuel level.
2. Switch the circuit breaker to the "OFF" position.
3. Open the fuel valve.
4. Close the choke with the choke lever.
5. Turn the operation switch to the "ON" position.
6. Pull the recoil starter.
7. After the engine starts, open the choke slowly.
8. Run the generator for 3-5 minutes without load.
9. Check for any abnormal noise or smell.
10. Switch the circuit breaker to the "ON" position.
11. When stopping, cut off the load and allow the unit to cool for 2-3 minutes before stopping engine.
12. Turn the operation switch to the "OFF" position.
13. After the engine completely stops, close the fuel valve.

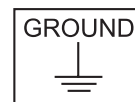
P/N A9521200004

**CAUTION**  
**OPERATE AT**  
**3600 RPM ONLY**  
 (FULL THROTTLE)  
**DAMAGE MAY RESULT IF**  
**OPERATED AT LOWER SPEEDS**

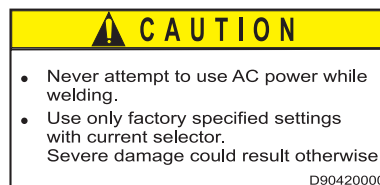
P/N W7900636004



P/N W0800690804



P/N W0800628504







P/N D9504200004

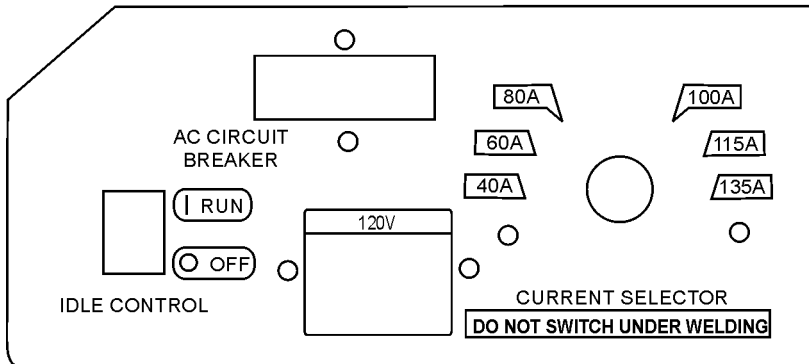


P/N D0561000104

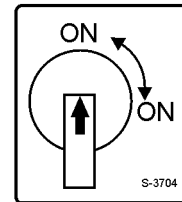
# GAW-135H — OPERATION AND SAFETY DECALS

<p><b>⚠ DANGER ⚠ CAUTION</b></p>		<ul style="list-style-type: none"> <li>● Read the instruction manual carefully before operating the unit.</li> <li>● This machine must be installed, operated and serviced only by a qualified person with sufficient knowledge and skill for safety.</li> <li>● Do not allow people to be near the welder or welding site.</li> </ul>
<p>Cautions on Welding Operation</p>	<p>Never remove or cover this label.</p>	
<p><b>⚠ DANGER</b></p> 	<p>Voltage can burn or kill!</p> <ul style="list-style-type: none"> <li>● Never touch electrical parts in the machine during operation, as it may lead to burn or death due to electrical shock. Stop engine before touching the output terminals for cable connection or before servicing.</li> <li>● Never touch the machine especially when your body or the machine is wet.</li> <li>● Ask a qualified person to ground the welder and base metal</li> <li>● Use dry welding gloves.</li> </ul>	<p><b>⚠ DANGER</b></p> 
<p><b>⚠ DANGER</b></p> 	<p>Welding can cause fire or explosion!</p> <ul style="list-style-type: none"> <li>● Remove inflammables or inflammable gas away from welding site.</li> <li>● Install protective curtain around welding site to shield arc rays and splatters.</li> <li>● Never weld airtight tank or pipe.</li> <li>● Place a fire extinguisher near welding site</li> </ul>	
	<p><b>⚠ CAUTION</b></p> 	<p>Arc rays, spatters and slags may harm your eyes, and noise may damage your ears.</p> <ul style="list-style-type: none"> <li>● Use a shield with proper shade of filter.</li> <li>● Wear proper gloves, long sleeve shirts and foot protection.</li> <li>● Use ear protector if noise level is high.</li> </ul>

P/N D95112100203



P/N D0521100003



P/N W1980680004

**WARNING!**

Before connecting this generator to any building's electrical system, a licensed electrician must install an isolation (transfer) switch.

Serious injury or death may result without this transfer switch.

P/N 0820610404

MODEL \_\_\_\_\_  
SERIAL NO. \_\_\_\_\_

**CONTACT  
MQ PARTS DEPT.**

## GAW-135H Familiarization

### General Inspection Prior to Operation

This generator/welder has been thoroughly inspected and accepted prior to shipment from the factory. However, be sure to check for damaged parts or components, or loose nuts and bolts, which could have become dislodged in transit.

The **MQ Model** GAW-135H generator/welder has been designed as a portable lightweight power source for 60 Hz (single-phase) vibrators, lighting facilities, power tools, submersible pumps and other industrial and construction machinery.

This generator/welder is powered by a Honda GX200VEN2, 5.5 HP, air-cooled gasoline engine. The alternator, a brushless revolving-field type, is permanently aligned to the engine through rigid coupling.

The generator is mounted on rubber vibration isolators that have a steel base backplate which is attached to the protective steel pipe carrying frame. The protective carrying frame is made of steel tubing and fully wraps around the generator to protect against damage.

This portable generator is supplied with a electrical **control panel**. The control panel includes items as listed below.

### Control Panel

The generator control panel has the following components:

- (1) NEMA Duplex Receptacle (GFCI) 5-20R (120V, 20 Amp)
- One main 2-pole, 15 Amp Circuit Breaker.
- Idle Control Switch
- Welding Terminal Lugs
- Ground Terminal

### Circuit Breaker

To protect the generator from an overload, a 2-pole, 15 amp circuit breaker is provided on the control panel. Make sure to switch this circuit breaker to the "OFF" position prior to starting the engine.

## Excitation System

The MQ generator/welder uses a magnet attached to a flywheel to produce AC voltage from a lamp coil beneath the flywheel. As the magnet passes the coil it produces approximately 19-22 AC volts.

This voltage (19-22 VAC) is then sent to the control box that contains three rectifying diodes:

- Excitation (diode 1)
- Battery (diode 2)
- Slow Down (diode 3)

The AC voltage will pass through the excitation diode that converts the voltage to DC power.

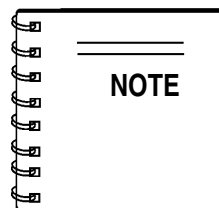
This DC power is then sent to the excitation windings housed within the main windings commonly called the "stator".

This voltage is then transferred into the rotor through induction. The rotor contains two diodes within it which rectify the DC voltage and send it out through the main windings, as AC voltage.

## Engine

The four-cycle air-cooled **Honda** gasoline engine is designed to meet every performance requirement of this generator. Reference Table 1, for engine specifications.

Figure 2 shows the basic controls and indicators for the MQ GAW-135H generator/welder.



In keeping with **Multiquip's** policy of constantly improving its products, the specifications quoted herein are subject to change without prior notice.



## Single Phase Load

Always be sure to check the nameplate on the generator and equipment to insure the wattage, amperage and frequency requirements are satisfactorily supplied by the generator for operating the equipment.

Generally, the wattage listed on the nameplate of the equipment is its rated output. Equipment may require 130—150% more wattage than the rating on the nameplate, as the wattage is influenced by the efficiency, power factor and starting system of the equipment.



If wattage is not given on the equipment's name plate, approximate wattage may be determined by multiplying nameplate voltage by the nameplate amperage.

$$\text{WATTS} = \text{VOLTAGE} \times \text{AMPERAGE}$$

The power factor of this generator is 1.0 See Table 2 below when connecting loads.

Type Of Load	Power Factor
Single-phase induction motors	0.4 - 0.75
Electric heaters, incandescent lamps	1.0
Fluorescent lamps, mercury lamps	0.4 - 0.9
Electronic devices, communication equipment	1.0
Common power tools	0.8

Current in Amperes	Load In Watts	Maximum Allowable Cable Length			
	At 120 Volts	#10 Wire	#12 Wire	#14 Wire	#16 Wire
2.5	300	1000 ft.	600 ft.	375 ft.	250 ft.
5	600	500 ft.	300 ft.	200 ft.	125 ft.
7.5	900	350 ft.	200 ft.	125 ft.	100 ft.
10	1200	250 ft.	150 ft.	100 ft.	
15	1800	150 ft.	100 ft.	65 ft.	
20	2400	125 ft.	75 ft.	50 ft.	

CAUTION: Equipment damage can result from low voltage.

To determine the running wattage for your load, multiply the running wattage as indicated by steps 1, 2, and 3 below:

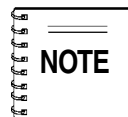
- INCANDESCENT LOADS**  
 Lights, heaters and similar appliances.  
 Total the running wattage and multiply by 1.  
 Example:  
 29 light bulbs @ 100W each = 2.9 KW  
 use a 3 KW generator.
- SMALL MOTORS**  
 Drills and other small power tools.  
 Total the running wattage and multiply by 2.  
 Example:  
 A 1 inch drill runs at 1 KW  
 use a 2 KW generator.
- LARGE MOTORS**  
 Submersible pumps, table saws etc.  
 Total the running wattage and multiply by 3.  
 Example:  
 A conveyor belt runs at 8 KW  
 use a 24 KW generator.

## CAUTION

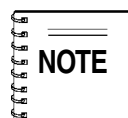
Motors and motor-driven equipment draw much greater current for starting than during operation. **Always** use an adequate size **extension cable** which can carry the required load.

## Extension Cables

When electric power is to be provided to various tools or loads at some **distance** from the generator, extension cords are normally used. **Cables should be sized to allow for distance in length and amperage so that the voltage drop between the generator and point of use (load) is held to a minimum.** Use the cable selection chart (Table 2 ) as a guide for selecting proper cable size.



The idle control device is operated at a minimum load capacity of 100W. If the load capacity is less than 100W, place the idle control switch in the **OFF** position.



When using a combination of dual receptacles, total load **should not exceed** the rated capacity of the generator.

# GAW-135H — CONTROLS AND INDICATORS

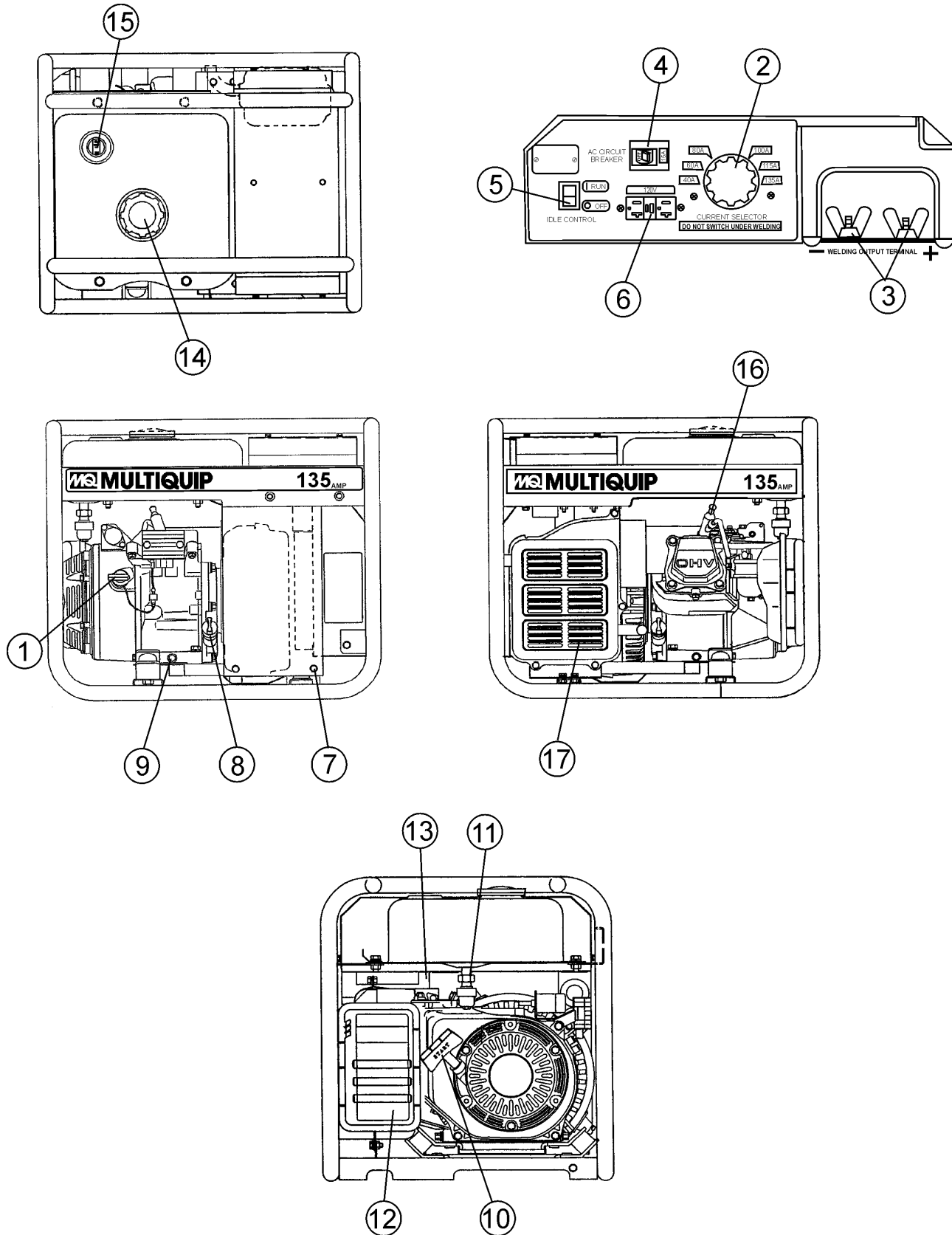
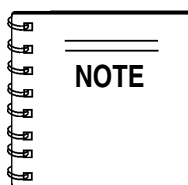


Figure 2. Generator Controls and Components

## GAW-135H — CONTROLS AND INDICATORS

1. **Engine ON/OFF Switch** – Place this switch in the "ON" position to start the engine. To turn-off the engine place this switch in the "OFF" position.
2. **Current Selector Knob** – Place this knob in the desired setting when welding is required. There are 6 selectable settings that range from 40 amps to 135 amps.
3. Connect the welder electrodes to these terminals. Please note the polarity of the electrodes when connecting them to the welder.
4. **Main Circuit Breaker** – This 2-pole 15 amp breaker protects the generator from short circuiting or overloading. When starting the generator **always** have the circuit breaker placed in the "OFF" position.
5. **Idle Control Switch** – This unit is provided with an automatic idle control for noise suppression and reduced fuel consumption. The automatic idle control automatically engages under a no-load condition. With the automatic idle control switched "ON", the engine revolutions will automatically drop to about 2600 rpm (low-speed operation) within 3 seconds after the load stops. When the operation is resumed, the engine speed is automatically increased to about 3600 rpm (high-speed operation) as soon as the load is connected.
6. **GFCI Receptacle** – This receptacle will provide 120V at all times.
7. **Ground** – This ground connection point should be connect to a good earth ground (ground rod).
8. **Engine Oil Filler Cap** – Remove this cap/dipstick when the adding of engine oil is required. See Table 4 for recommended type engine oil.
9. **Engine Oil Drain Plug** – Remove this drain plug when draining of the oil from the engine crankcase is required. Fill with recommeded type oil as listed in Table 4.
10. **Recoil Starter (pull rope)** – Manual-starting method. Pull the starter grip until resistance is felt, then pull briskly and smoothly.
11. **Fuel Cock Lever** – Turn this lever **downward** to **start** (down)the flow of fuel to the carburetor. Turn **upward** to **stop** (up) the flow of fuel.
12. **Air Cleaner** – Prevents dirt and other debris from entering the fuel system. Remove wing-nut on top of air filter cannister to gain access to filter element. **NEVER** run the engine without an air cleaner.
13. **Choke Lever** – Used for starting the engine. **Close** the choke lever when starting a cold engine or in cold weather conditions. The choke enriches the fuel mixture. **Open** the choke lever if starting a warm engine or in warm weather conditions.
14. **Fuel Tank Cap** – Remove this cap to add unleaded gasoline to the fuel tank. **Replenish** with **clean unleaded** gasoline. Make sure cap is tightened securely. **DO NOT** over fill. Fuel tank capacity is 1.85 gallons (7 liters).
15. **Fuel Gauge** – Read this gauge to determine when fuel is **low**.
16. **Spark Plug** – Provides spark to the ignition system. Set spark plug gap to 0.6 - 0.7 mm (0.024 - 0.028 inch). Clean spark plug once a week.
17. **Muffler/Heat Shield** – Used to reduce noise and emissions. **NEVER** touch this **heat shield** when the generator/welder is in use. Always allow time for the generator to cool down before performing maintenance.



This **HONDA** engine is equipped with a low oil shutdown capability. A built in sensor will automatically turn off the engine should the oil level fall below a safe operating condition. Make sure the generator is placed on level ground. Placing the generator/welder on level ground will ensure that the low oil sensor will function properly.

# GAW-135H — WELDER/GENERATOR REFUELING

## **!** DANGER

Adding fuel to the tank should be done only when the engine is stopped and has had an opportunity to cool down. In the event of a fuel spill, **DO NOT** attempt to start the engine until the fuel residue has been completely wiped up, and the area surrounding the engine is dry. If generator is placed in a truck bed with a plastic liner, **REMOVE** generator from truck bed and place on ground (Figure 3) to refuel. This possibility exist of *fire* or *explosion* due to static electricity.

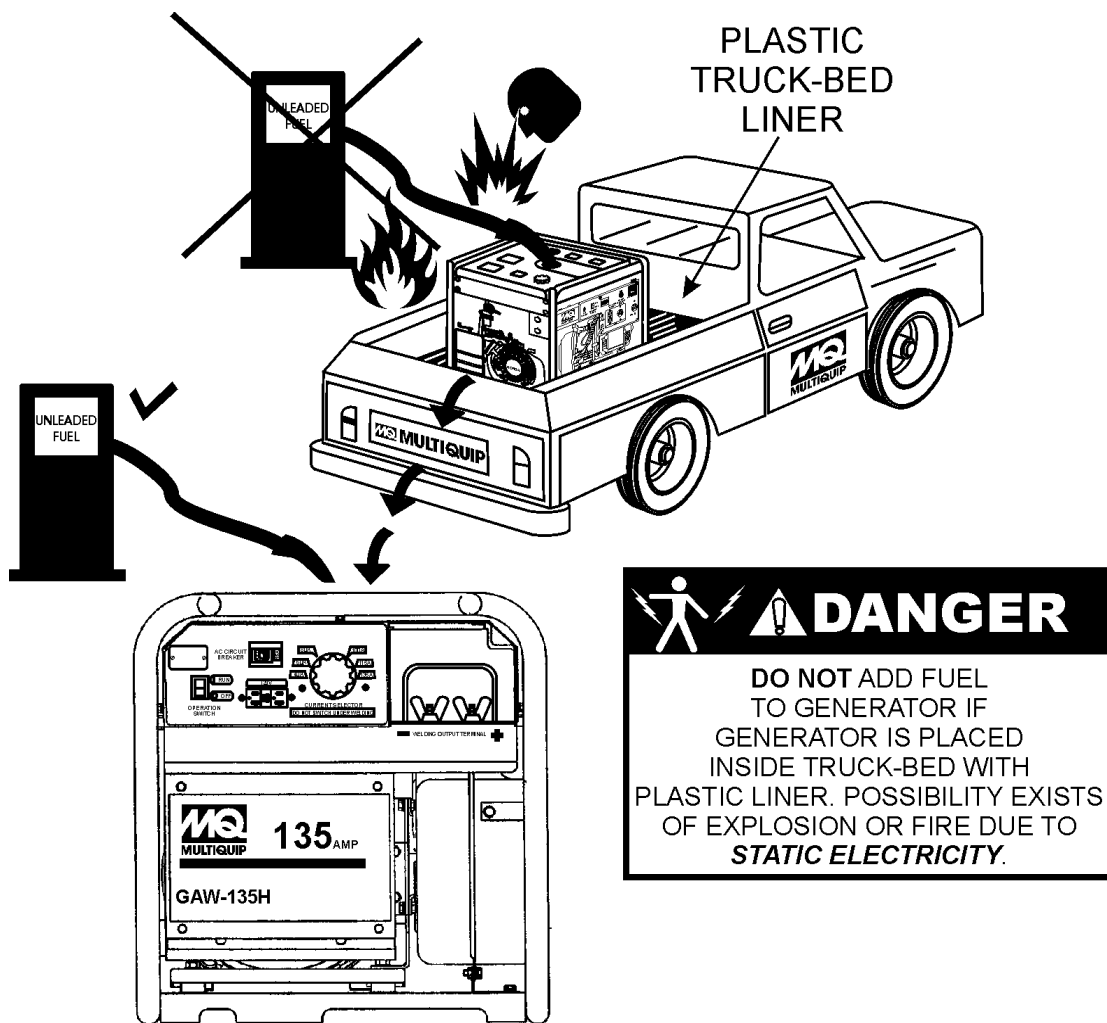



Figure 3. Generator/Welder Refueling

## Outdoor Installation


Install the generator/welder in a area that is free of **debris**, **bystanders**, and **overhead obstructions**. Make sure the generator is on secure level ground so that it cannot slide or shift around. Also install the generator in a manner so that the exhaust will not be discharged in the direction of nearby homes.

The installation site must be relatively free from moisture and dust. All electrical equipment should be protected from excessive moisture. Failure to do will result in deterioration of the insulation and will result in short circuits and grounding.

Foreign materials such as dust, sand, lint and abrasive materials have a tendency to cause excessive wear to engine and alternator parts.


 **CAUTION**

Pay close attention to ventilation when operating the generator inside tunnels and caves. The engine exhaust contains noxious elements.




## Mounting

The generator should always be mounted on a flat level surface to isolate vibration of the generator when it is running. **DO NOT** place the generator on slopes, the possibility exists that the generator could slide.

 **CAUTION**

An electric shock is apt to happen when vibrators are used. Pay close attention to handling when operating vibrators and always use rubber boots and gloves to insulate the body from a short circuit.



## Indoor Installation

Exhaust gases from gasoline engines are extremely poisonous. Whenever an engine is installed indoors the exhaust fumes must be vented to the outside. The engine should be installed at least two feet from any outside wall. Using an exhaust pipe which is too long or too small can cause excessive back pressure which will cause the engine to heat excessively and possibly burn the valves.

Eliminate the danger of deadly carbon monoxide gas. Remember that exhaust fumes from any gasoline engine are very poisonous if discharged in a closed room, but harmless if allowed to mix with the outside air. If the generator is installed indoors, you must make provisions for venting the engine exhaust to the outside of the building.

## Generator Grounding

To guard against electrical shock and possible damage to the equipment, it is important to provide a good **EARTH** ground. Always use the ground terminal on the generator to ground the generator.

Article 250 (Grounding) of the National Electrical Code (NEC) provides guide lines for proper grounding and specifies that the cable ground shall be connected to the grounding system of the building as close to the point of cable entry as practical.

NEC articles 250-64(b) and 250-66 set the following grounding requirements:

1. Use one of the following wire types to connect the generator to earth ground.
  - a. Copper - 10 AWG (5.3 mm<sup>2</sup>) or larger.
  - b. Aluminum - 8 AWG (8.4 mm<sup>2</sup>) or larger.
2. When grounding the generator (Figure 3) connect the ground cable between the lock washer and the nut on the generator and tighten the nut fully. Connect the other end of the ground cable to earth ground.
3. NEC article 250-52(c) specifies that the earth ground rod should be buried a minimum of 8 ft. into the ground.

## Connecting the Ground

The nut and ground terminal on the generator should always be used to connect the generator to a suitable ground. The ground cable should be #8 size wire minimum.

At the generator, connect the terminal of the ground cable between the lock washer and the nut (Figure 4) and tighten the nut fully. Connect the other end of the ground cable to a suitable earth ground (ground rod).

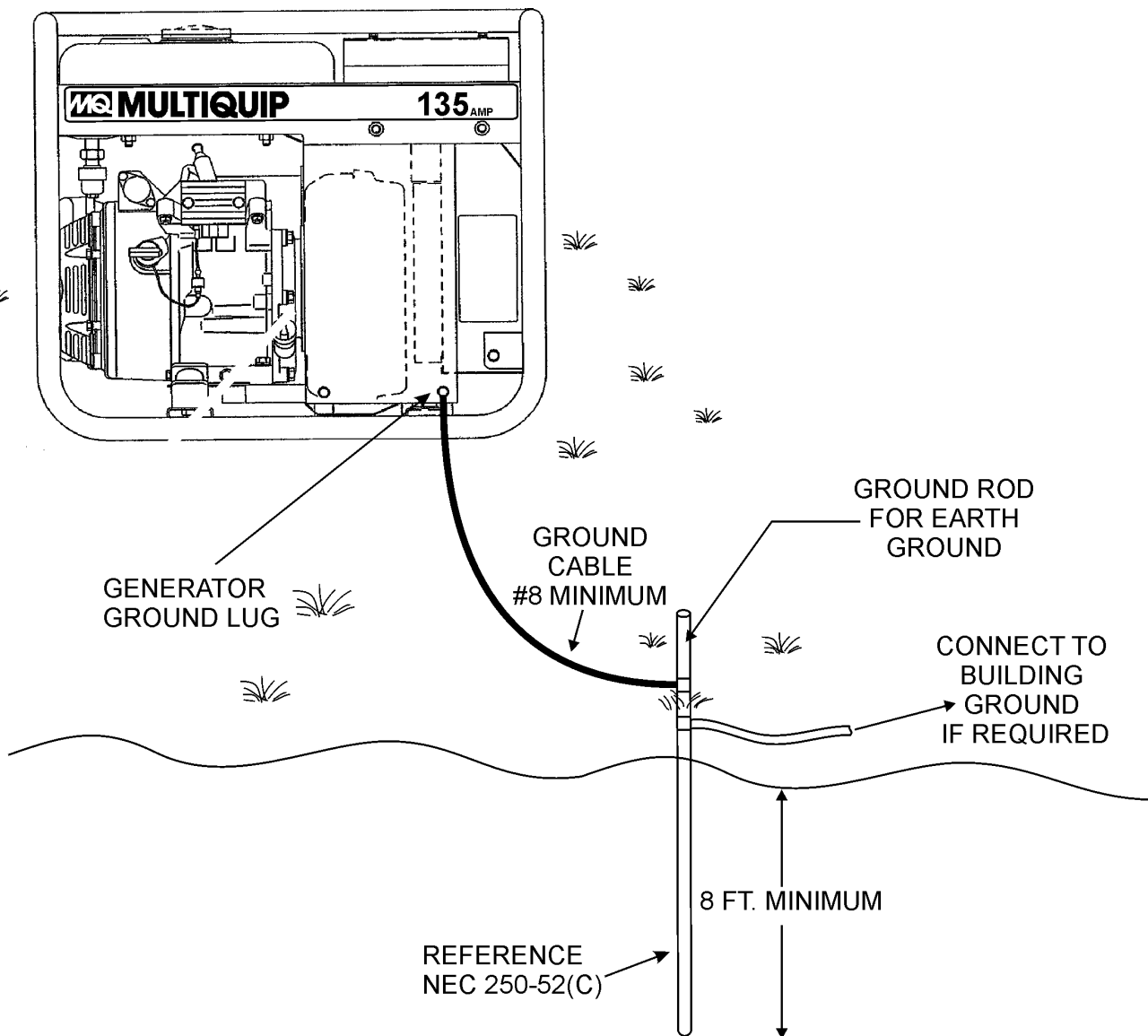


Figure 4. Generator Grounding

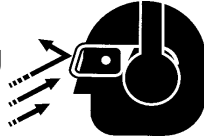
# GAW-135H — PRE-INSPECTION (ENGINE)

## ⚠ CAUTION

**NEVER** operate the generator in a confined area or enclosed area structure that does not provide ample **free flow of air**.



**ALWAYS** wear approved eye and hearing protection before operating the generator.



### Before Starting

1. Read safety instructions at the beginning of manual.
2. Clean the generator, removing dirt and dust, particularly the engine cooling air inlet, carburetor and air cleaner.
3. Check the air filter for dirt and dust. If air filter is dirty, replace air filter with a new one as required.
4. Check carburetor for external dirt and dust. Clean with dry compressed air.
5. Check fastening nuts and bolts for tightness.



### Engine Oil Check

1. To check the engine oil level, place the generator on secure level ground with the engine stopped.
2. Remove the filler dipstick from the engine oil filler hole (Figure 5) and wipe clean.

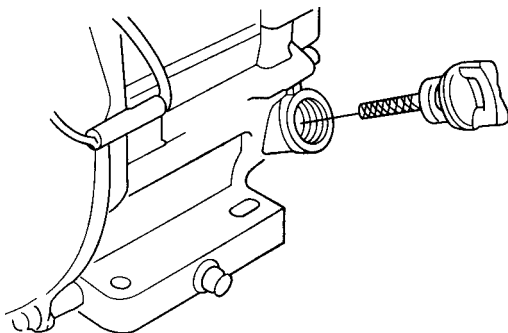


Figure 5. Engine Oil Dipstick (Removal)

3. Insert and remove the dipstick without screwing it into the filler neck. Check the oil level shown on the dipstick.
4. If the oil level is low (Figure 6), fill to the edge of the oil filler hole with the recommended oil type (Table 4). Maximum oil capacity is .63 quarts (0.6 liters)
4. When refueling, be sure to use a strainer for filtration. **DO NOT** top-off fuel. **DO NOT** fill the tank beyond capacity. Wipe up any spilled fuel **immediately!**

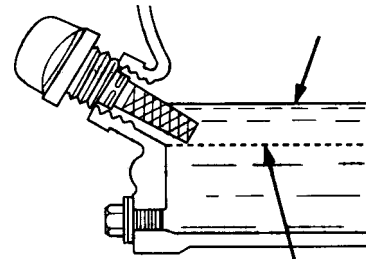


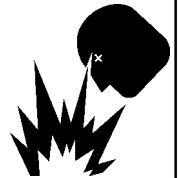
Figure 6. Engine Oil Dipstick (Oil Level)

Table 4. Oil Type

Season	Temperature	Oil Type
Summer	25°C or Higher	SAE 10W-30
Spring/Fall	25°C~10°C	SAE 10W-30/20
Winter	0°C or Lower	SAE 10W-10

## ⚠ DANGER EXPLOSIVE FUEL

Motor fuels are highly flammable and can be dangerous if mishandled. **DO NOT** smoke while refueling. **DO NOT** attempt to refuel the generator if the engine is **hot!**, **running or in the dark**.



### Fuel Check

1. Close the fuel cock before filling the fuel tank.
2. Remove the fuel cap located on top of fuel tank.
3. Read the fuel gauge located on top of the fuel tank (Figure 7) to determine if the fuel level is low. If fuel is low, replenish with **clean unleaded fuel**.

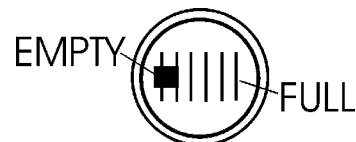


Figure 7. Fuel Gauge

# GAW-135H — INITIAL START-UP (ENGINE)

## CAUTION

**DO NOT** attempt to operate this generator until the Safety, General Information and Inspection sections of this manual have been **read and thoroughly understood**.



This section is intended to assist the operator with the **initial start-up** of the trash generator. It is extremely important that this section be read carefully before attempting to use the generator in the field.

### Before Starting the Engine

1. Be sure to **disconnect all electrical loads** from the generator prior to starting the engine.
2. **NEVER start** the engine with the **main circuit breaker** in the "ON" position. Place the main circuit breaker (Figure 8) in the **OFF** position.

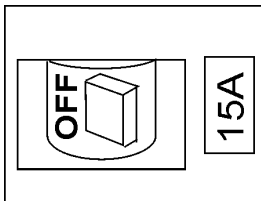


Figure 8. Main Breaker (OFF Position)

### Starting the Engine

1. Place the engine **fuel valve lever** (Figure 9) to the "ON" position."

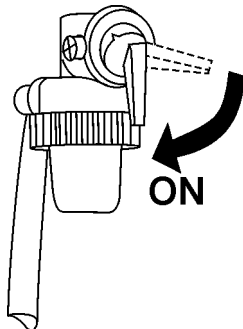


Figure 9. Engine Fuel Valve Lever (ON Position)

2. Place the **choke lever** (Figure 10) in the "CLOSED" position if starting a **cold** engine.

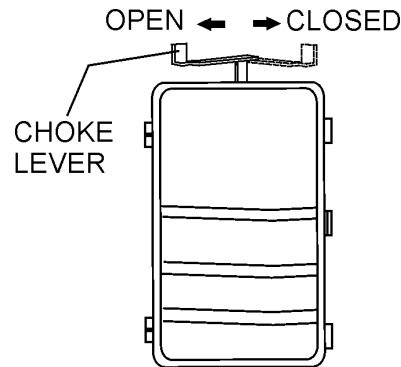


Figure 10. Choke Lever

3. Place the **choke lever** (Figure 10) in the "OPEN" position if starting a **warm engine** or the **temperature is warm**.
4. Place the **engine ON/OFF switch** (Figure 11) in the "ON" position.

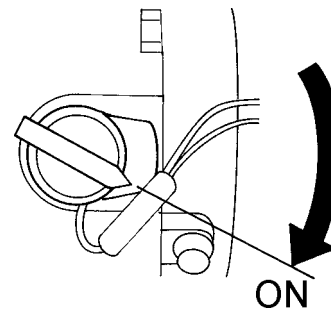


Figure 11. Engine On/Off Switch (ON)

5. Grasp the starter grip (Figure 12) and slowly pull it out. The resistance becomes the hardest at a certain position, corresponding to the compression point. Pull the starter grip briskly and smoothly for starting.

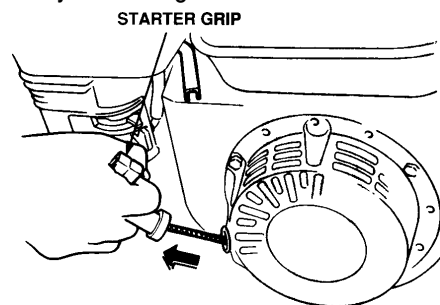


Figure 12. Starter Grip

## CAUTION

- **DO NOT** pull the starter rope all the way to the end.
- **DO NOT** release the starter knob after pulling. Allow it to rewind as soon as



# GAW-135H — INITIAL START-UP/GENERATOR OPERATION

- If the engine has started, slowly return the choke lever (Figure 13) to the "OPEN" position. If the engine has not started repeat steps 1 through 6.
- Before the generator is placed into operation, run the engine for 3-5 minutes. Check for abnormal smells, fuel leaks, and noises that would associate with loose components.
- Place** the *idle control switch* (Figure 13) in the "OFF" (down) position. This will allow the engine speed to run at speed about 3600 RPM's

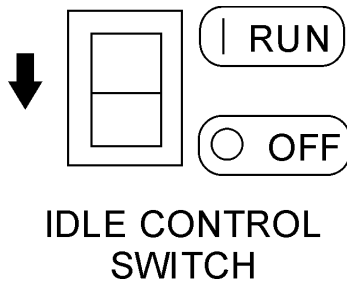
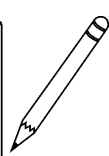
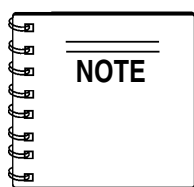


Figure 13. Idle Control Switch (Off)



Placing the *idle control switch* in the **RUN** position (Figure 14) allows the engine to operate at a maximum speed of about 3600 RPM's. When the idle control switch is placed in the up position (**ON**), the generator will run at idle speed (2200 RPM's) until a load is applied, at that time the engine speed will increase to 3600 RPM's as long as the load is being applied. When the load is not in use, the engine speed will drop back to the idle mode after about 3 seconds.

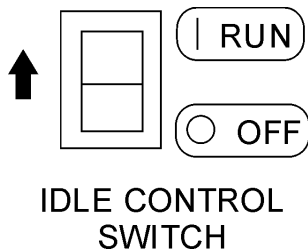


Figure 14. Idle Control Switch (On)

- Place the main circuit breaker (Figure 15) in the **ON** position.

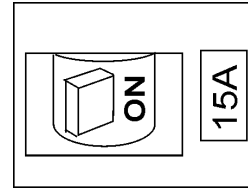


Figure 15. Main Circuit Breaker (ON)

- If desired, verify with a voltmeter (Figure 16) that 120 VAC is present at the GFCI duplex receptacle.

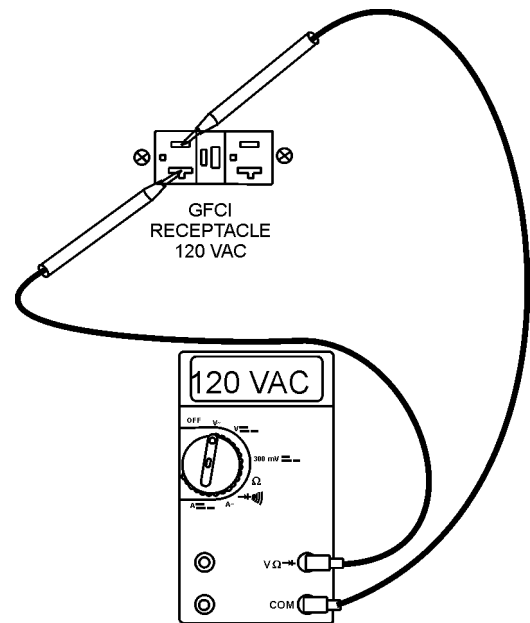


Figure 16. 120 VAC GFCI Receptacle

## Connecting the Load

- If small wattage power tools are required, connect them to the GFCI receptacle.

## Stopping The Engine

### Normal Shutdown

1. Place the **main circuit breaker** (Figure 11) in the **OFF** position.
2. Remove the load from the generator, and let the engine run at idle for 3-5 minutes with the idle control switch in the **ON** position (Up)
3. Place the **engine ON/OFF** (Figure 24) in the **OFF** position.

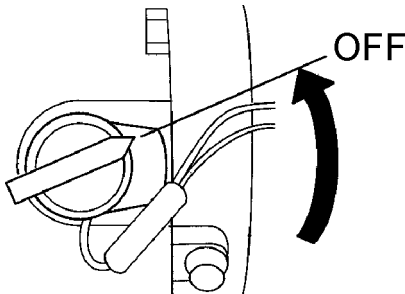


Figure 24. Operation Switch (Stop)

4. Place the engine **fuel valve lever** (Figure 25) to the "OFF" position."

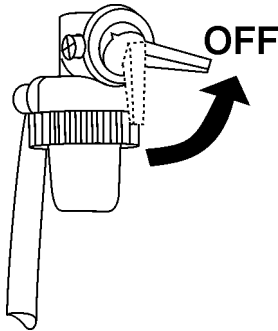


Figure 25. Engine Fuel Valve Lever (OFF Position)

### Emergency Showdown

1. Place the **engine ON/OFF switch** (Figure 24) in the **OFF** position.

## Connecting the Welding Cables

1. Make sure the generator/welder is OFF (not running).
2. Attach the correct size terminal connector to the free end of each cable. **NEVER** connect *bare or exposed* wires (Figure 23) directly to the terminals. Exposed wiring may cause electrical arcing or dielectric breakdown from poor connection.

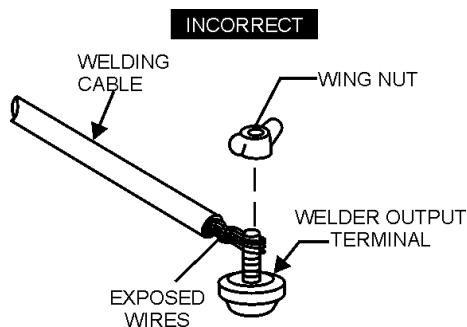


Figure 23. Welding Cable (Bare Wires)

2. Attach the correct size terminal connector (Figure 24) to the free end of each cable.

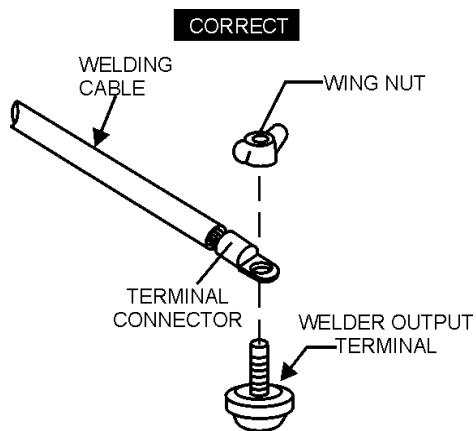
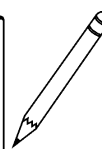
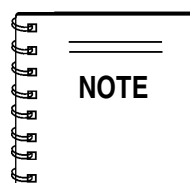


Figure 24. Welding Cable (Terminal Connector)

3. When connecting the cables **NEVER** allow the cable or welder output terminals to touch each other.
4. The welder's output terminals are marked positive (+) and negative (-). Connect the welding cables to the output terminals as referenced in Table 5.

Table 5. Welding Cables and Polarities

Polarity	Welding Method	Typical Application
Straight Polarity	Positive (+) Grounding (Base Metal)	Arc welding for steel material of general structures, and for thick plates.
	Negative (-) Welding Holder	Arc welding for copper alloy
Reverse Polarity	Positive (+) Welding Holder	Build-up Welding Air gouging
	Negative (-) Grounding (Base Metal)	Arc welding of thin plates Arc welding of stainless steel



When selecting a welding cable, the welding cable should be larger in size as it becomes longer or its current becomes higher. Use Table 6 as a guideline when selecting a suitable welding cable. The calculated values listed in Table 6 are based on a maximum voltage drop of 4 volts.

TABLE 6. WELDING CABLE SELECTING CHART

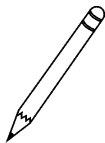
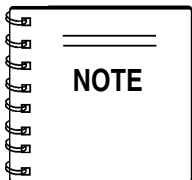
Welding Current	Total Cable (Copper) Length in Weld Circuit Not Exceeding:					
	50ft. (15m)	100ft. (30m)	150ft. (46m)	200ft. (61m)	250ft. (61m)	300ft. (91m)
50A	#5	#5	#5	#5	#5	#4
100A	#5	#5	#4	#3	#2	#1
135A	#5	#4	#2	#1	#1/0	#1/0

## Duty Cycle

Because of the different types of job applications for which this equipment is intended, the welding-generator is not designed to withstand continuous welding. To avoid overloads, select an appropriate duty cycle. See Table 7.

**TABLE 7. DUTY CYCLE RATING**

Welding Current (A)	40	60	80	100	115	135
Duty Cycle (%)	40					



Duty cycle is based on 10 minute intervals.

## Regulating Welding Current

Regulate the welding current with the current selector knob. Never regulate the current by increasing or decreasing the engine operating speed.

The operating range of the welding current is listed in Table 8. Select the desired welding current according to the application.

## CAUTION

**DO NOT** turn the current selector knob while welding. Use only factory selectable settings. The use of any other settings could cause severe damage to the equipment. **NEVER** place the dial indicator between settings.

**TABLE 8. APPLICABLE ELECTRODE**

Welding Current (A)		40	60	80	100	115	135
Fleetweld 5P+	E6010	3/32 in.	3/32 in.	1/8 in.	1/8 in.	1/8 in.	5/32 in.
Excalibur 7018	E7018 H4R	N/A	N/A	3/32 in.	1/8 in.	1/8 in.	5/32 in.

## General Inspection

At least daily or prior to each use, the generating set should be cleaned and inspected for deficiencies. Check for loose, missing or damaged nuts, bolts or other fasteners. Also check for fuel or oil leaks.

## Engine Side (Refer to the Robin Engine Instruction Manual)

### Check Oil Level

Check the crankcase oil level prior to each use, or when the fuel tank is filled. Make sure the generating set is level. The oil level must be between the two notches on the dipstick.

### Changing Oil

Change oil after the first 20 hours of operation. Drain and refill the engine crankcase every 50 operating hours or once a week thereafter. Drain crankcase oil into a suitable container while engine is still warm. Replace the drain plug tightly. Add oil through the filler hole.

### Air Cleaner

Every 50 hours: Remove air cleaner element (std. or heavy duty types), and wash in kerosene or liquid detergent and hot water. Wrap foam element in a cloth and squeeze dry. Wipe heavy duty paper element dry with toweling. Saturate element with kerosene; squeeze excess from foam element. Wipe excess from heavy duty paper element.

## Service Daily

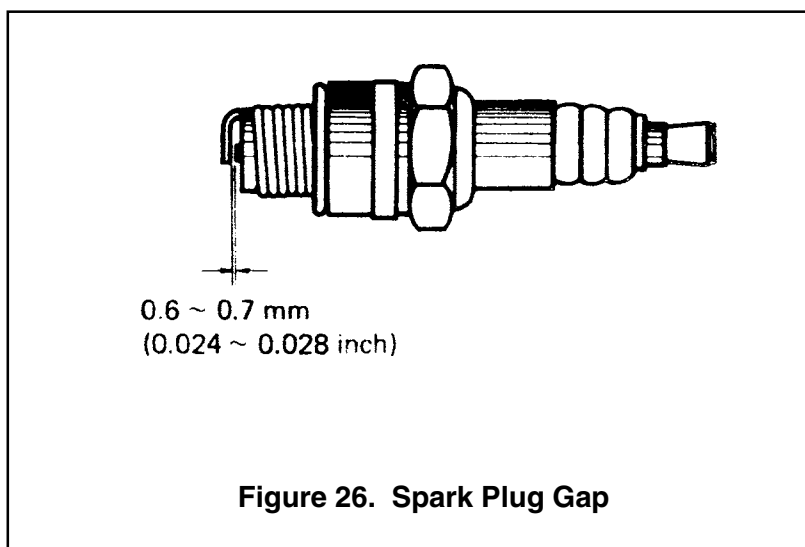
If engine is operating in very dusty and dry grass conditions. A clogged air cleaner will result in high fuel consumption, loss of power and excessive carbon buildup in the combustion chamber.

## Cleaning the Fuel Strainer

Clean the fuel strainer if it contains dust or water. Remove dust or water in the strainer cap and wash it in gasoline. Securely fasten the fuel strainer cap so that fuel will not leak. Check the fuel strainer every 200 hours of operation or once a month.

## Spark Plug

Remove carbon build-up on the spark plug (Figure 25) with a wire brush. Set the spark plug gap to 0.6—0.7mm (0.024-0.028 inch). Tighten with a spark plug socket wrench. Clean the spark plug every 50 operating hours or once a week.



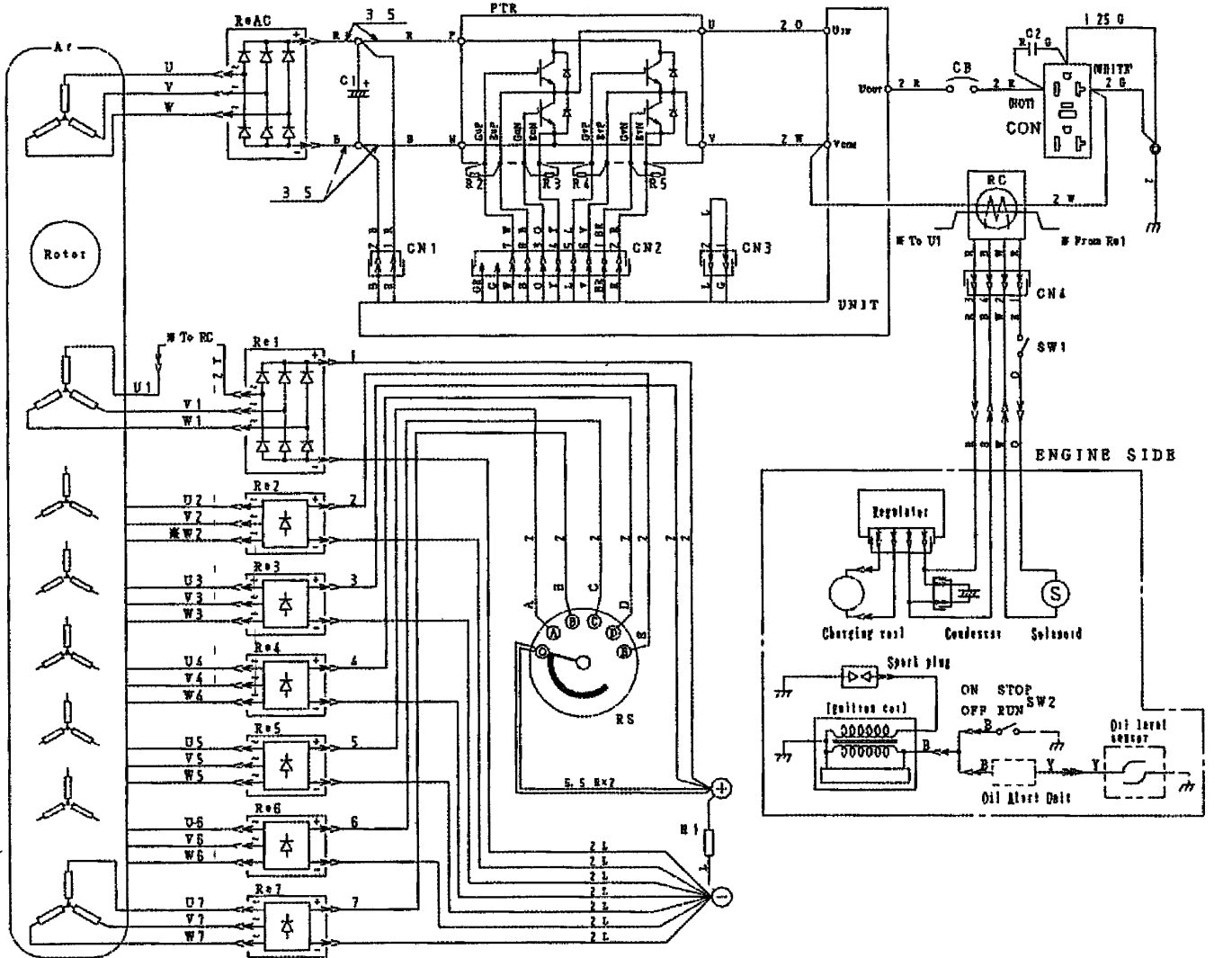
# GAW-135H — PREPARATION FOR LONG -TERM STORAGE

## Generator Storage

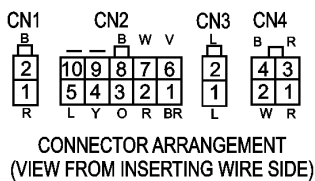
For storage of the generating set for over 30 days, the following is required:

- Drain the fuel tank completely.
- Run the engine until the gasoline in the carburetor is completely consumed.
- Completely drain the oil from the crankcase and refill with fresh oil.
- Remove the spark plug, pour 2 or 3 cc of SAE 30 oil into the cylinder and crank slowly to distribute the oil.
- Slowly rotate the engine a few times with the starter Rope and install a new plug.
- Pull out the starter rope slowly and stop at the compression point.
- Clean all external parts of the generating set with a cloth.
- Cover the generating set and store in a clean, dry place.

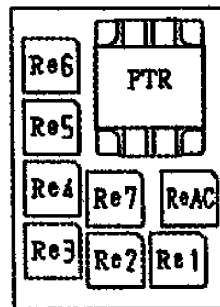
# GAW-135H — WIRING DIAGRAM



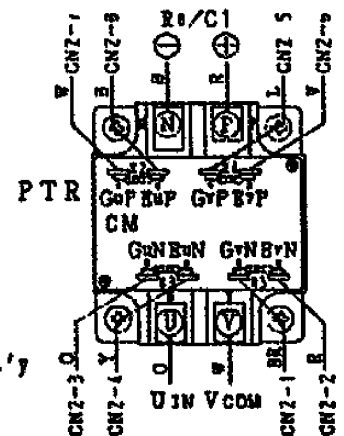
COLOR CODE	
WIRE COLOR	WIRE COLOR
B BLACK	R RED
L BLUE	W WHITE
BR BROWN	Y YELLOW
G GREEN	LB LIGHT BLUE
GR GRAY	LG LIGHT GREEN
V VIOLET	O ORANGE
P PINK	



SYMBOL	DESIGNATION
Ar	MAIN GENERATOR ARMATURE WINDING
ROTOR	ROTOR ASSEMBLY
Re AC	RECTIFIER
C1	CAPACITOR
PTR	TRANSISTOR
UNIT	AC CONTROL UNIT
CB	CIRCUIT BREAKER
CON	RECEPTACLE
C2	SURGE FILTER
REL-7	RECTIFIER
RS	CURRENT SELECTOR
	WELDING OUTPUT TERMINALS
R1	RESISTOR
R2-5	RESISTOR
RC	IDLE CONTROL UNIT
SW1	IDLE CONTROL SWITCH
SW2	OPERATION SWITCH



Pin Ass'y and Transistor Ass'y



# GAW-135H — TROUBLESHOOTING (ENGINE)

Practically all breakdowns can be prevented by proper handling and maintenance inspections, but in the event of a breakdown, please take a remedial action following the

diagnosis based on the Engine Troubleshooting (Table 10) information shown below and on the proceeding page. If the problem cannot be remedied, please leave the unit just as it is and consult our company's business office or service plant.

**TABLE 10. ENGINE TROUBLESHOOTING**

SYMPTOM	POSSIBLE PROBLEM	SOLUTION
Poor starting	Inspect carburetor to see if fuel is reaching it?	Check fuel line
	No Fuel?	Add Fuel
	Water in fuel tank?	Flush or replace fuel tank.
	Fuel filter clogged?	Replace fuel filter
	Stuck carburetor?	Check float mechanism.
	Spark plug is red?	Spark plug is fouled. Check transistor ignition unit.
	Spark plug is blue-white?	Insufficient compression, injected air leaking. Carburetor jets are clogged (overflow).
	No spark present at tip of spark plug?	Transistor ignition unit broken, high voltage cord cracked or broken. Start/Stop switch broken. Replace spark plug if fouled.
	No oil?	Add oil as required.
	Oil pressure alarm lamp blinks upon starting?	Check Automatic shutdown circuit "oil sensor".
Insufficient power output "no compression"	Engine will not turn over?	Replace cylinder and piston and if necessary axel joint.
	Cylinder head connecting bolts loose?	Tighten cylinder head connecting bolts.
	Cylinder head gasket damaged?	Replace cylinder head gasket.
	Malfuction of valve seat?	Re-seat valves.
	Spark plug is loose?	Replace spark plug.
	Worn piston rings?	Replace piston rings.
Insufficient power output "compression"	Malfuction in air-cleaner system, air filter clogged?	Clean or replace air filter.
	Air leaking in from interface between carburetor and cylinder head?	Tighten bolts between carburetor and cylinder head. Replace cylinder head gasket.
	Malfuction in fuel system?	Clean or replace fuel filter. Clean or replace carburetor. Check carburetor float.



# GAW-135H — TROUBLESHOOTING (ENGINE)

**TABLE 10. ENGINE TROUBLESHOOTING (CONTINUED)**

SYMPTOM	POSSIBLE PROBLEM	SOLUTION
Insufficient power output "compression" and overheats	Malfunction in blower?	Check or replace blower.
	Air in-take filter clogged?	Clean or replace air in-take filter.
Burns to much fuel	Over accumulation of exhaust products?	Clean and check valves. Check muffler, replace if necessary.
	Wrong spark plug?	Replace spark plug with manufactures suggested type spark plug.
Exhaust color is continously "WHITE"	Lubricating oil is wrong viscosity?	Replace lubricating oil with correct viscosity.
	Worn rings?	Replace rings
Exhaust color is continously "BLACK"	Air cleanner clogged?	Clean or replace air cleaner.
	Choke valve has not been set to the correct position?	Adjust choke valve to the correct position.
	Carburetor defective, seal on carburetor broken?	Replace carburetor or seal.
	Poor carburetor adjustment "engine runs too rich?"	Adjust carburetor.

# GAW-135H — TROUBLESHOOTING (GENERATOR)

Practically all generator breakdowns can be prevented by proper handling and maintenance inspections, but in the event of a breakdown, please take a remedial action following the

diagnosis based on the Generator Troubleshooting (Table 11) information shown below and on the preceding page. If the problem cannot be remedied, please leave the unit just as it is and consult our company's business office or service plant.

**TABLE 11. GENERATOR TROUBLESHOOTING**

SYMPTOM	POSSIBLE PROBLEM	SOLUTION
Low voltage	Engine speed too low?	Raise engine speed to rated RPM.
Low voltage. Engine speed normal 3650 RPM (unloaded), 2500 RPM (idle)	Control box internal wiring malfunction?	Check control box wiring.
	Defective ignition coil?	Check red and green ignition wires. Replace ignition wires if necessary.
	Rotor winding malfunction?	Check or replace rotor.
	Stator winding malfunction?	Check or replace stator.
	Breaker malfunction?	Check or replace CB1.
Voltage output too high.	Engine speed too high?	Lower engine speed to rated RPM.
Voltage output too high. Engine speed normal 3650 RPM (unloaded), 2500 RPM (idle)	Control box internal wiring malfunction	Check control box wiring.
Circuit breaker will not turn on "NO LOAD"	Defective circuit breaker?	Replace circuit breaker.
Circuit breaker will turn on "LOADED" but trips immediately.	Overload?	Reduce load or replace breaker.
	Load circuit is shorted?	Check load circuit for short.
Does not accelerate from low to high "NO LOAD"	Stuck solenoid?	Check solenoid.
Does not accelerate from low to high "LOAD ACTIVE"	Control box internal wiring defective?	Check control box wiring.
Does not decelerate no "VOLTAGE OUTPUT".	Defective rotor windings?	Check or replace rotor.
	Defective solenoid?	Check or replace solenoid.
	Defective idle control device?	Check or replace idle control device.
	Defective solenoid?	Check or replace idle control device.
Does not decelerate but has "VOLTAGE OUTPUT".	Control box wiring malfunction?	Check control box wiring, replace any defective components.
	Defective solenoid?	Check or replace solenoid.
	Idle control device malfunction?	Check or replace idle control device.

# GAW-135H — TROUBLESHOOTING (GENERATOR)

**TABLE 11. GENERATOR TROUBLESHOOTING (CONTINUED)**

<b>SYMPTOM</b>	<b>POSSIBLE PROBLEM</b>	<b>SOLUTION</b>
Does not decelerate no "VOLTAGE OUTPUT".	Defective rotor windings?	Check or replace rotor.
	Defective solenoid?	Check or replace solenoid.
	Defective idle control device?	Check or replace idle control device.
	Defective solenoid?	Check or replace idle control device.
Does not decelerate but has "VOLTAGE OUTPUT".	Control box wiring malfunction?	Check control box wiring, replace any defective components.
	Defective solenoid?	Check or replace solenoid.
	Idle control device malfunction?	Check or replace idle control device.

## GAW-135H — EXPLANATION OF CODE IN REMARKS COLUMN

How to read the marks and remarks used in this parts book.

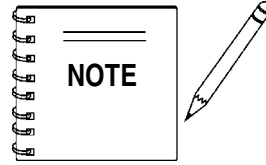
### Items Found In the “Remarks” Column

**Serial Numbers**-Where indicated, this indicates a serial number range (inclusive) where a particular part is used.

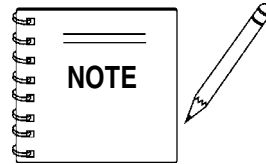
**Model Number**-Where indicated, this shows that the corresponding part is utilized only with this specific model number or model number variant.

### Items Found In the “Items Number” Column

All parts with same symbol in the number column, \*, #, +, %, or >, belong to the same assembly or kit.



If more than one of the same reference number is listed, the last one listed indicates newest (or latest) part available.



*The contents of this catalog are subject to change without notice.*

# GAW-135H — SUGGESTED SPARE PARTS

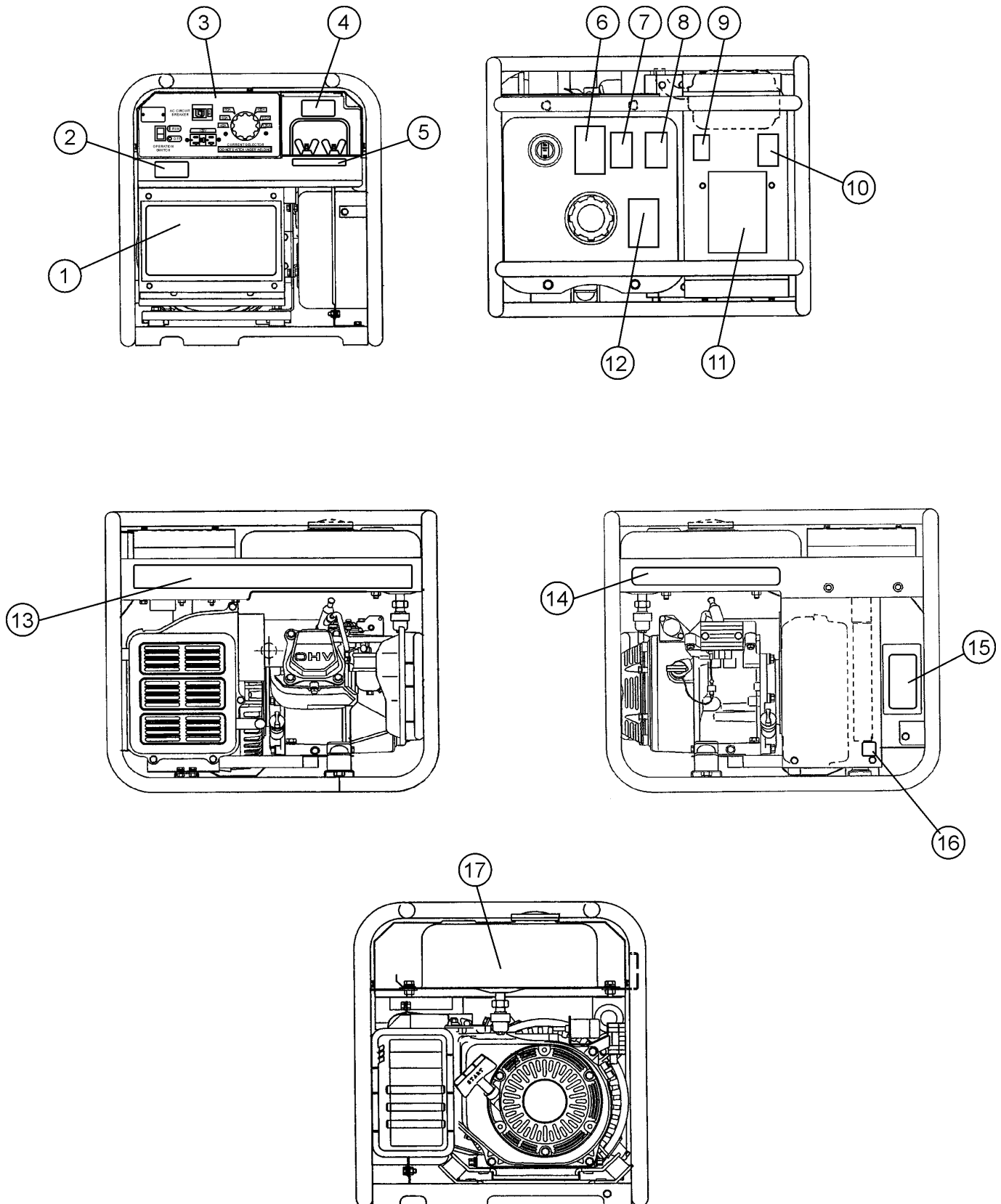
MQ GAW-135H WELDER/GENERATOR WITH HONDA  
GX200VEN2 GASOLINE ENGINE

## *1 to 3 Units*

Qty...	P/N .....	Description
1 .....	9924800014 .....	CAP, FUEL TANK
1 .....	9924800004 .....	FILTER, FUEL TANK
3 .....	17211ZB2000 .....	ELEMENT, AIR CLEANER
3 .....	9807956846 .....	SPARK PLUG
1 .....	28462ZH8003 .....	ROPE, RECOIL STARTER

# GAW-135H— NAMEPLATE AND DECALS

## NAMEPLATE AND DECALS



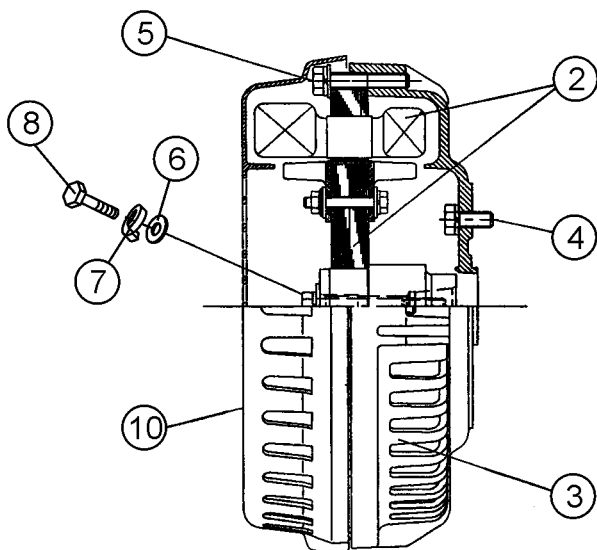
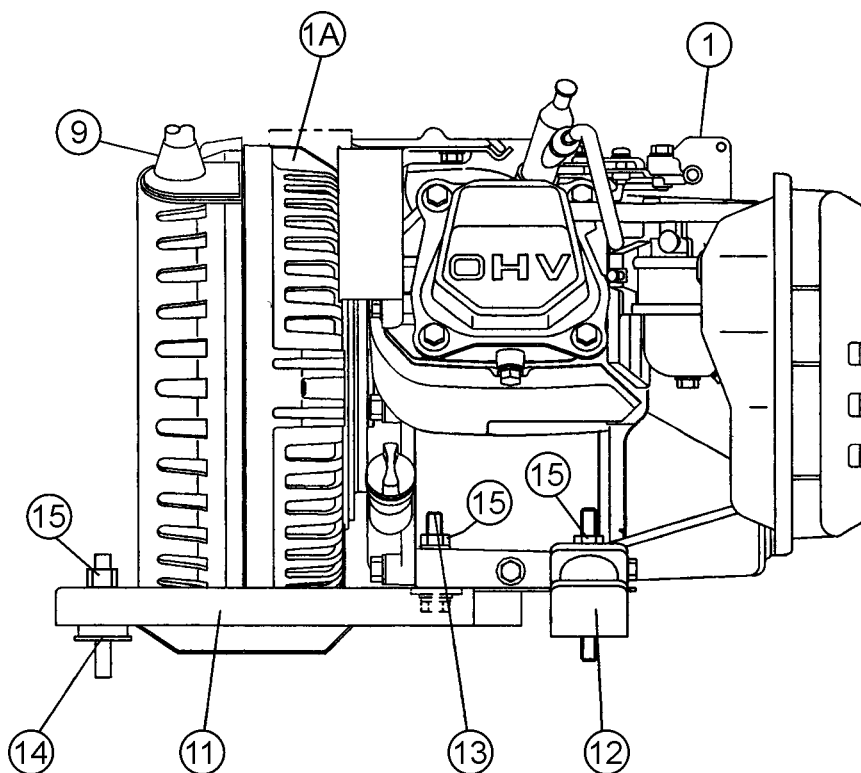
# GAW-135H— NAMEPLATE AND DECALS

## NAMEPLATE AND DECALS

<u>NO.</u>	<u>PART NO.</u>	<u>PART NAME</u>	<u>QTY.</u>	<u>REMARKS</u>
1	0561200004	DECAL; MQ MULTIQUIP 135A GAW-135H	1	
2	9504200004	DECAL; CAUTION NEVER ATTEMPT .....	1	REPLACES D90420000
3	0521100003	DECAL; CONTROL PANEL	1	
4	8700611904	DECAL; ELECTRICAL SHOCK HAZARD .....	1	S-4985
5	0800690804	DECAL; WELDING OUTPUT TERMINAL .....	1	S-1238A
6	0820610404	DECAL; WARNING, TRANSFER SWITCH .....	1	S-3627
7	8700611804	DECAL; WARNING DANGEROUS GAS .....	1	S-4984
8	9522100204	DECAL; PROPOSITION 65 .....	1	REPLACES D92210020
9	7900636004	DECAL; CAUTION OPERATE AT 3600 RPM .....	1	S-4461
10	9511100004	DECAL; READ MANUAL .....	1	A91110000
11	9512100203	DECAL; CAUTION WELDING OPERATION .....	1	REPLACES D91210020
12	9521200004	DECAL; OPERATING INSTRUCTIONS .....	1	REPLACES A92120000
13	0561000003	DECAL; MQ MULTIQUIP 135A	1	
14	0561000104	DECAL; MQ MULTIQUIP	1	
15		DECAL; NAMEPLATE .....	1	CONTACT MQ PARTS DEPT.
16	0800628504	DECAL; GROUND TERMINAL .....	1	S-1123
17	1980680004	DECAL; FUEL COCK .....	1	S-3704

# GAW-135H— GENERATOR ASSY.

GENERATOR ASSY.





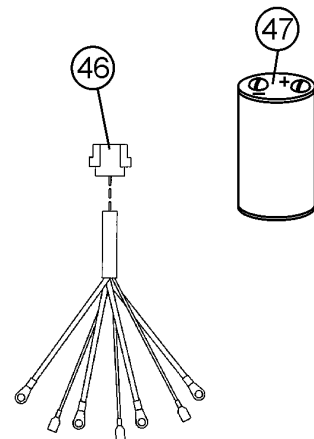
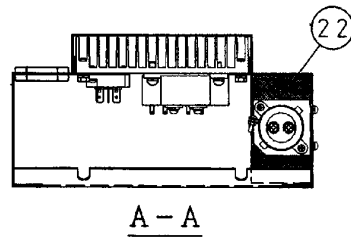
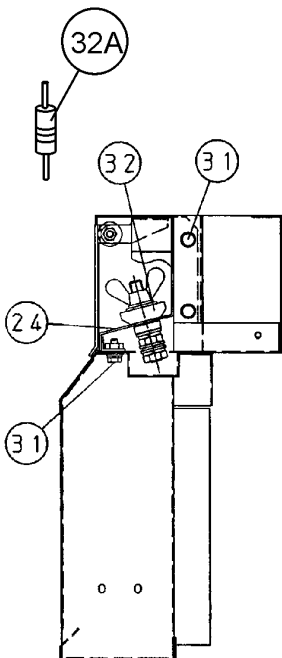
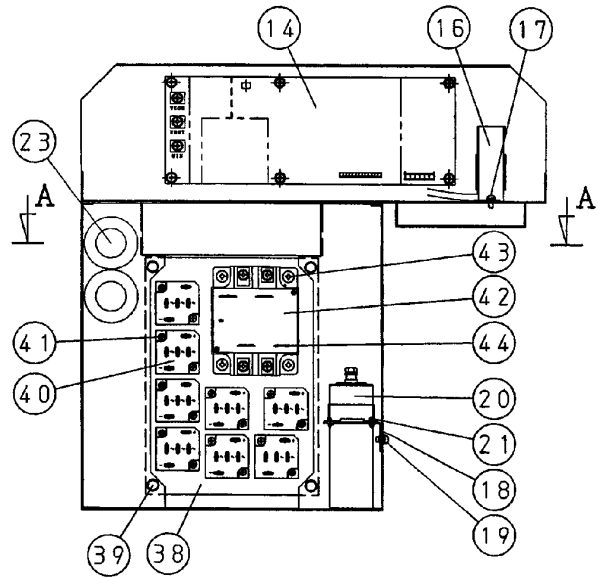
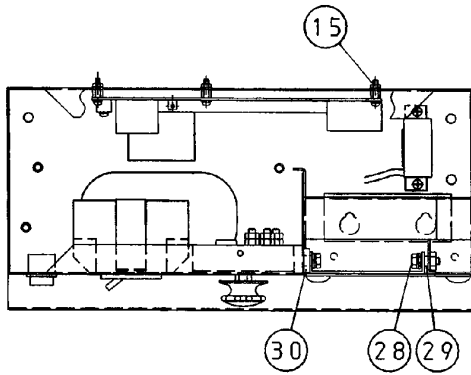
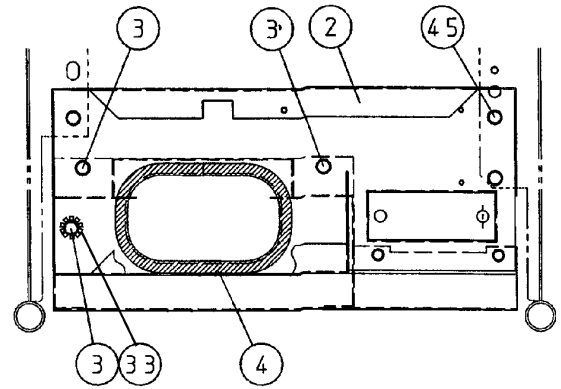
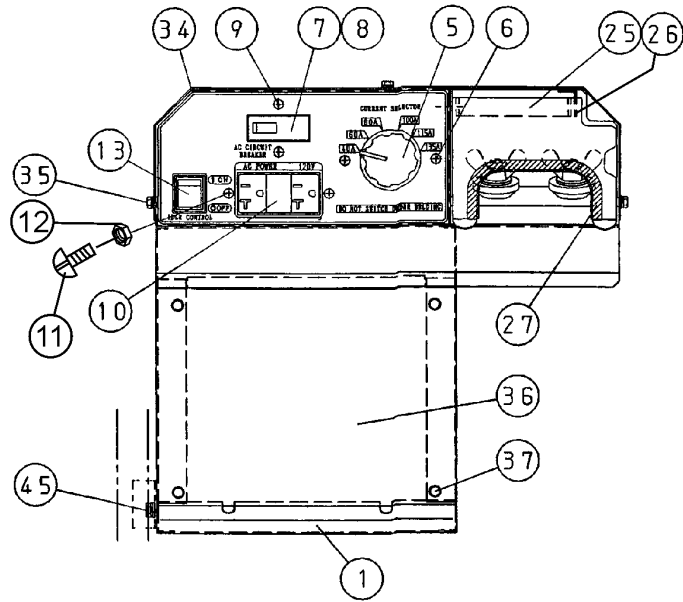
# GAW-135H— GENERATOR ASSY.

## GENERATOR ASSY.

<u>NO.</u>	<u>PART NO.</u>	<u>PART NAME</u>	<u>QTY.</u>	<u>REMARKS</u>
1	0924200004	ENGINE, HONDA GX200VEN2	1	
1A	0101000003	GENERATOR ASSY.	1	
2	0110000913	ROTAR ASSY.	1	
2	0135000002	ARAMATURE ASSY.	1	
3	0155100003	END BRACKET	1	
4	0012808020	HEX HEAD BOLT	4	
5	0012308045	HEX HEAD BOLT	1	
6	0012108070	HEX HEAD BOLT	1	
7	0040008000	WASHER, LOCK	1	
8	0801086004	WASHER, FLAT	1	
9	1153300114	GROMMET	2	
10	1153400212	COVER	1	
11	0416700033	BASE	1	
12	7935416004	RUBBER SUSPENSION	2	
13	0016908045	HEX HEAD BOLT	2	
14	7935419204	RUBBER SUSPENSION	2	
15	0207208000	HEX NUT	10	

# GAW-135H— CONTROL BOX

## CONTROL BOX ASSY.

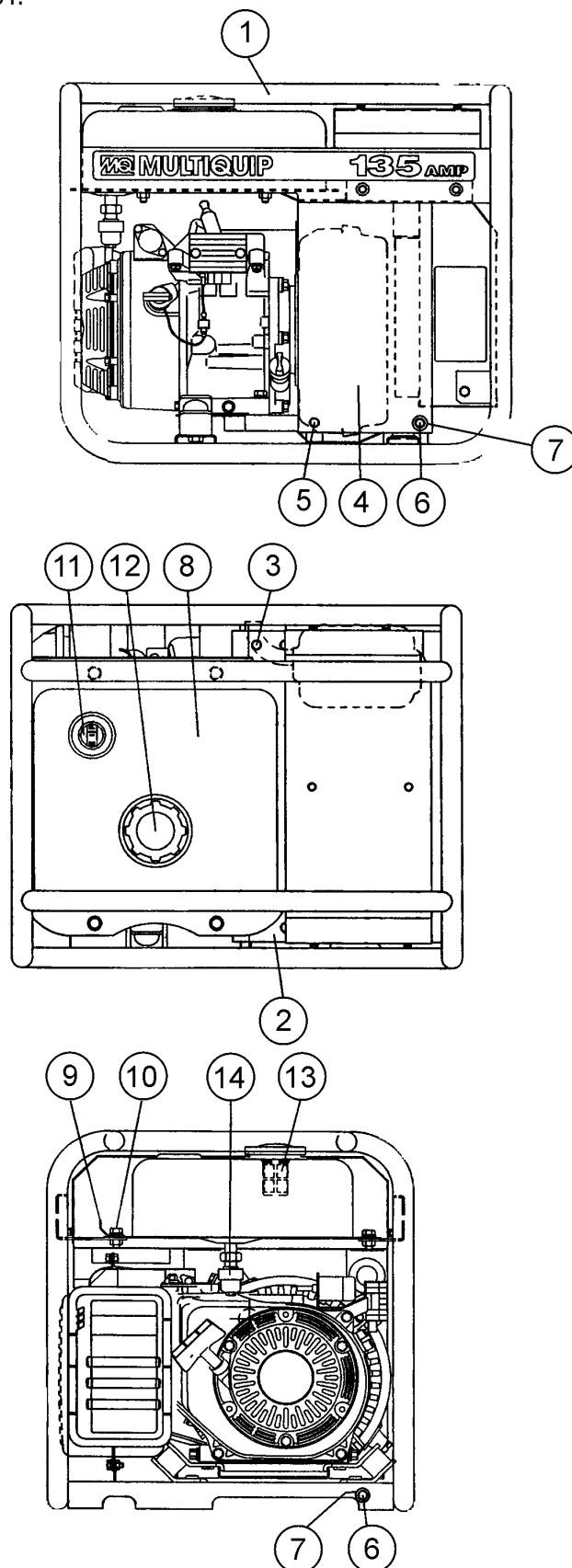


CONTROL BOX ASSY.

<u>NO.</u>	<u>PART NO.</u>	<u>PART NAME</u>	<u>QTY.</u>	<u>REMARKS</u>
1	0214000103	CONTROL BOX (FIN SIDE)	1	
2	0214000003	CONTROL BOX	1	
3	0016906016	HEX HEAD BOLT	3	
4	0226900350	TRIM SEAL	1	
5	0601807489	CURRENT SELECTOR .....	1	BR-2-5
6	0027004030	MACHINE SCREW	2	
7	0601807489	CIRCUIT BREAKER	1	
8	3011816004	BRACKET, CIRCUIT BREAKER	1	
9	0027004010	MACHINE SCREW	2	
10	0601812598	RECEPTACLE .....	1	GF-530EM
11	0027004010	MACHINE SCREW	2	
12	0207004000	HEX NUT	2	
13	0601831620	ROCKER SWITCH .....	1	C1550WABB
14	0923100004	INVERTER UNIT .....	1	IN-10
15	0207004000	HEX NUT	6	
16	0601827350	SLOWDOWN CONTROL UNIT .....	1	ND-81
17	0028604010	MACHINE SCREW	2	
18	0260600014	BRACKET, CONDENSER	1	
19	0028603006	MACHINE SCREW	2	
20	0601826178	CONDENSER, 250V .....	1	KMH250LGSN,1500MB
21	0028603006	MACHINE SCREW	2	
22	0260600104	RUBBER SEAT	1	
23	0601826178	GROMMET	2	
24	0237200003	BRACKET, OUTPUT TERMINAL	1	
25	0237100004	COVER, OUTPUT TERMINAL	1	
26	0237400004	RUBBER SEAT	1	
27	0316800160	TRIM SEAL	1	
28	0016906020	HEX HEAD BOLT	2	
29	0805088304	COLLAR	2	
30	0805088004	STAY RUBBER	4	
31	0016906016	HEX HEAD BOLT	4	
32	1230500004	OUTPUTTERMINAL	2	
32A	0266600004	RESISTOR 50K OHMS .....	1	RS-3B
33	0040506000	TOOTHED WEASHER	1	
34	0214500003	ROOF, CONTROL BOX	1	
35	0016605010	HEX HEAD BOLT	6	
36	0213600034	COVER, CONTROL BOX	1	
37	0016905010	HEX HEAD BOLT	4	
	0266000123	FIN ASSY.	1	
38	0266300214	FIN	1	
39	0016905016	HEX HEAD BOLT	4	
40	0601823208	RECTIFER .....	8	S30VT60
41	0027103012	MACHINE SCREW	16	
42	0601821256	TRANSISTOR .....	1	CM75BU-12H
43	0017105016	MACHINE SCREW	4	
44	0601842067	RESISTOR 1/2W 10K OHMS	4	
45	0016906016	HEX HEAD BOLT	4	
46	0247700004	WIRE HARNESS	1	
47	0601826150	CONDENSER 250 VAC 0.1 $\mu$ F	1	

# GAW-135H— PIPE FRAME AND FUEL TANK ASSY.

PIPE FRAME AND FUEL TANK ASSY.

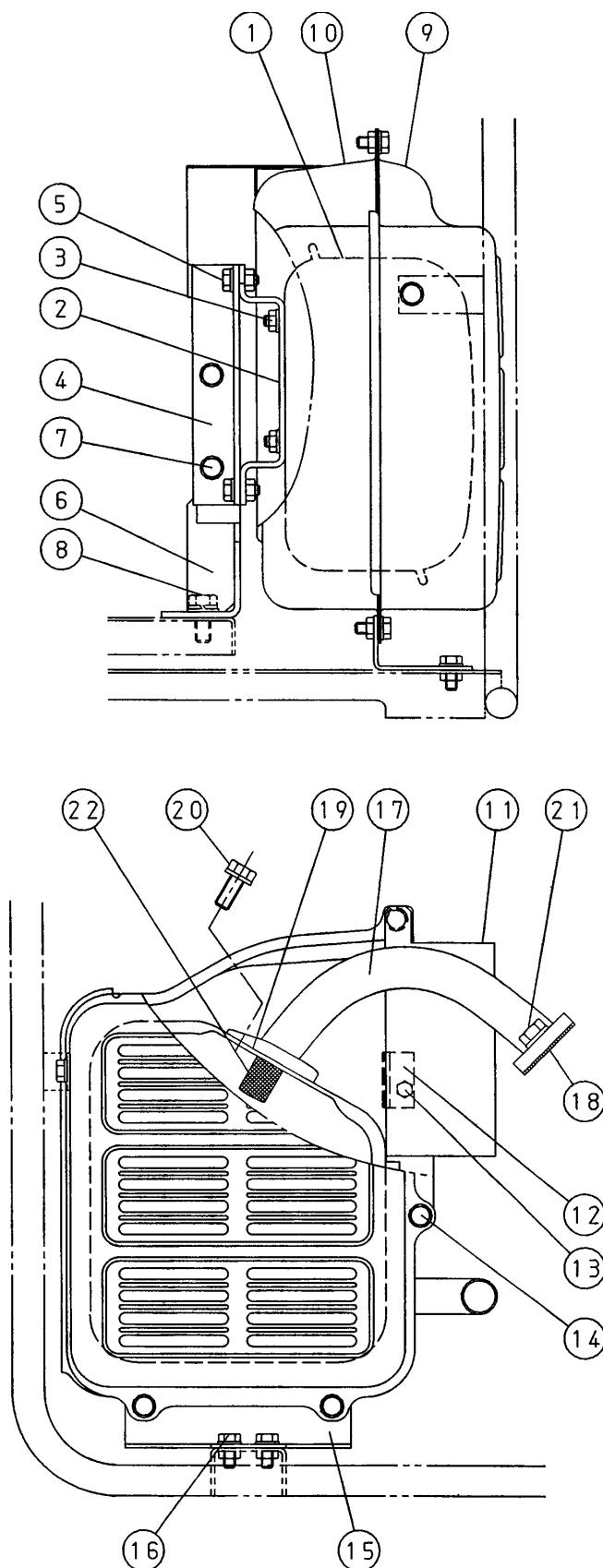


# GAW-135H— PIPE FRAME AND FUEL TANK ASSY.

## PIPE FRAME AND FUEL TANK ASSY.

<b>NO.</b>	<b>PART NO.</b>	<b>PART NAME</b>	<b>QTY.</b>	<b>REMARKS</b>
1	0417000002	PIPE FRAME	1	
2	0416400114	GENERATOR GUARD	1	
3	0016906016	HEX HEAD BOLT	3	
4	0454100003	SIDE GUARD	1	
5	0016906016	HEX HEAD BOLT	1	
6	0019206016	HEX HEAD BOLT	2	
7	0040506000	TOOTHED WASHER	2	
8	0363000022	FUEL TANK	1	
9	0416400204	OVERFLOW GUARD	1	
10	0016998020	HEX HEAD BOLT	4	
11	0602125031	FUEL GUAGE	1	
12	9924800014	CAP, FUEL TANK	1	
13	9924800004	FILTER	1	
14	16950898633	FUEL COCK	1	

## MUFFLER ASSY.



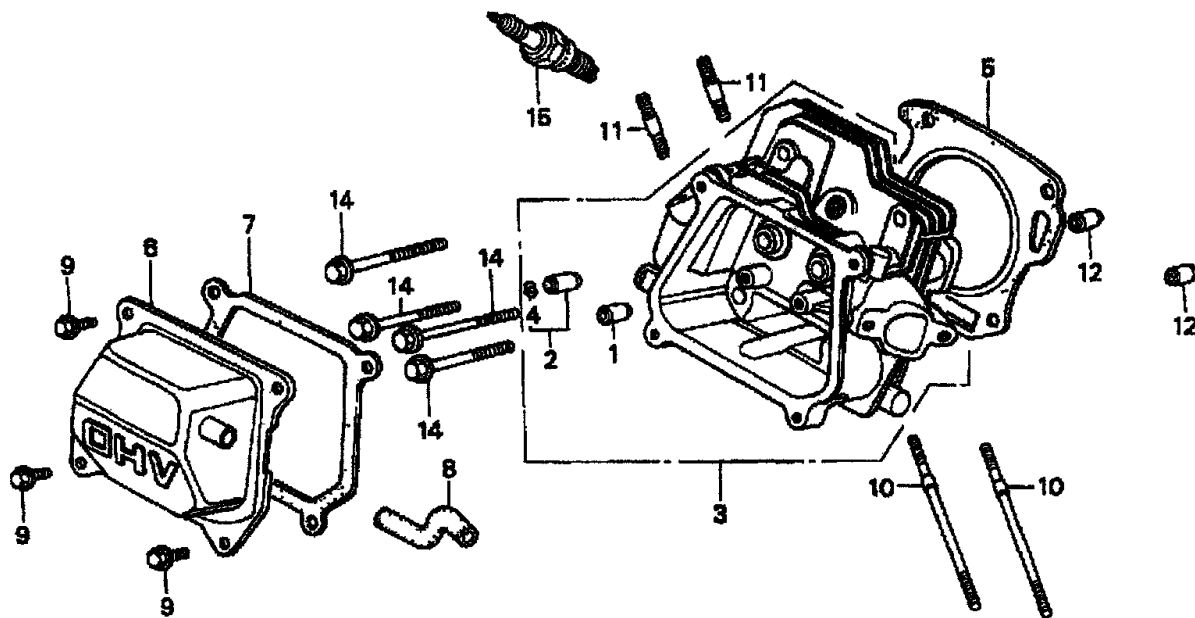
# GAW-135H— MUFFLER ASSY.

## MUFFLER ASSY.

<u>NO.</u>	<u>PART NO.</u>	<u>PART NAME</u>	<u>QTY.</u>	<u>REMARKS</u>
1	18310ZB3C001	MUFFLER	1	
2	0330400314	MUFFLER BRACKET	1	
3	0207006000	HEX NUT	2	
4	0330400404	MUFFLER ADJUSTER	1	
5	0016906016	HEX HEAD BOLT	2	
6	0330400033	MUFFLER STAY	1	
7	0016906016	HEX HEAD BOLT	2	
8	0016908025	HEX HEAD BOLT	1	
9	0602302006	MUFFLER COVER, OUTER	1	
10	0602302007	MUFFLER COVER, OUTER	1	
11	0330300022	DUCT, MUFFLER COVER	1	
12	0330300124	DUCT, BRACKET	1	
13	0016905010	HEX HEAD BOLT	1	
14	0017306010	HEX HEAD BOLT	5	
15	0330400124	BRACKET, MUFFLER COVER	1	
16	0016906016	HEX HEAD BOLT	1	
17	0333000012	EXHAUST PIPE	1	
18	18381ZH8800	GASKET	1	
19	18381ZE1800	GASKET	1	
20	92101980200A	HEX HEAD BOLT	2	
21	94001080000S	HEX NUT	2	
22	18355898630	SPARK ARRESTER	1	

# GX-200VEN2 — CYLINDER HEAD ASSY.

CYLINDER HEAD ASSY.





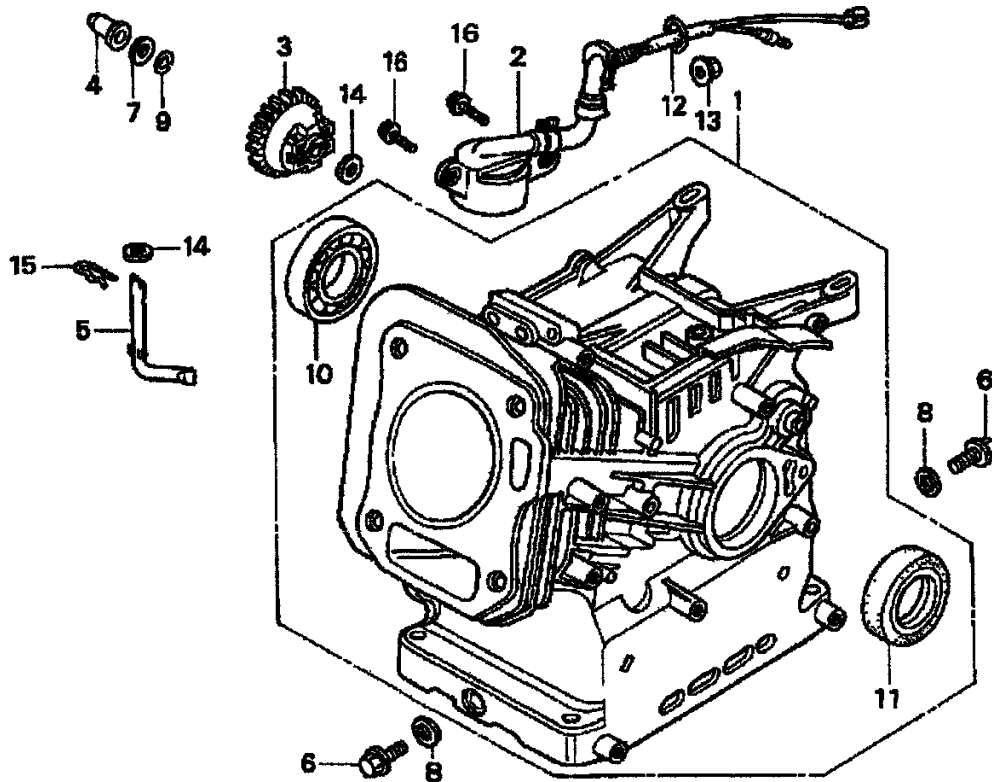
## GX-200VEN2 —CYLINDER HEAD ASSY.

### CYLINDER HEAD ASSY.

<u>NO.</u>	<u>PART NO.</u>	<u>PART NAME</u>	<u>QTY.</u>	<u>REMARKS</u>
1*	12204ZE1306	GUIDE, IN VALVE O.S.	1	
2*	122052ZE1315	GUIDE, EX. VALVE O.S.	1	
3	12210ZL00100	HEAD COMP. CYLINDER .....	1	..... INCLUDES ITEMS W/*
4*	12216ZE5300	CLIP, VALVE GUIDE	1	
5	12251ZL0003	GASKET	1	
6	12310ZE1020	COVER COMP., HEAD	1	
7	12391ZE1000	PACKING, HEAD COVER	1	
8	15721883030	TUBE, BREATHER	1	
9	90013883000	BOLT, FLANGE 6X12 CT200	4	
10	90043ZB2003	BOLT, STUD 6X94	2	
11	90047ZE1000	BOLT, STUD 8X32	2	
12	9430110160	DOWEL PIN, 10X16	2	
14	957230806000	BOLT, FLANGE 8X60	4	
15	9807956846	SPARK PLUG, BPR6ES NGK	1	
15	9807956855	SPARK PLUG, W20EPR-U DENSO	1	

# GX-200VEN2 — CYLINDER BARREL ASSY.

CYLINDER BARREL ASSY.



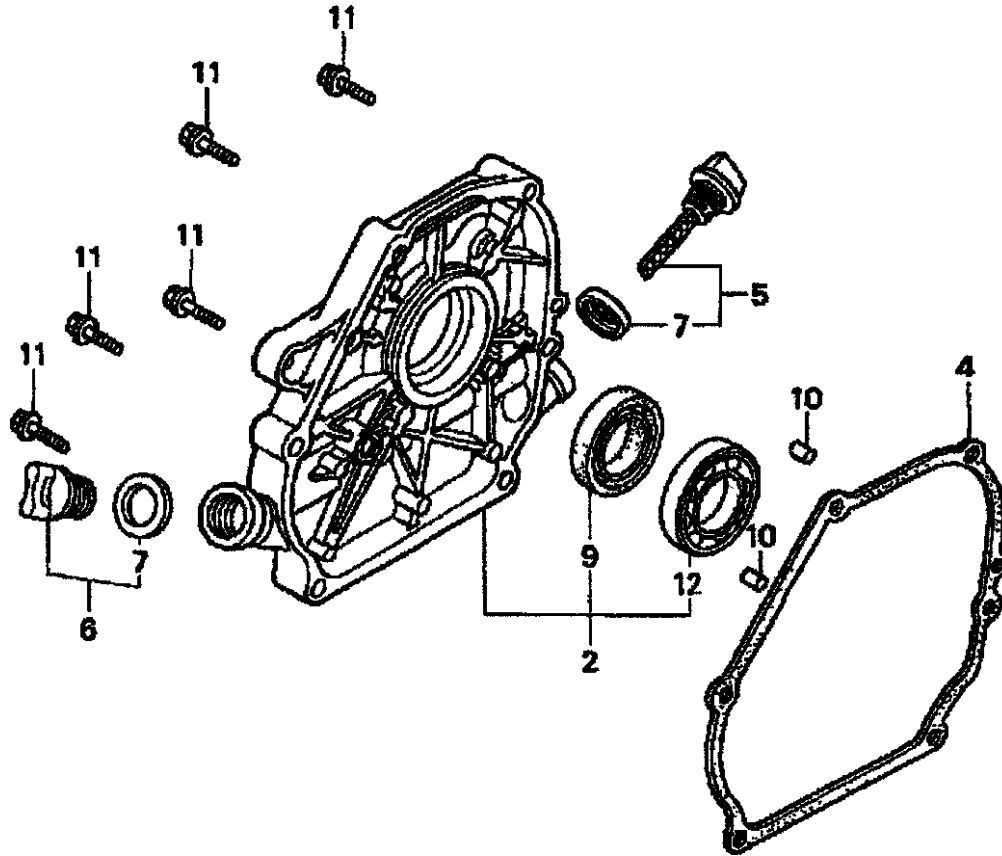
# GX-200VEN2 — CYLINDER BARREL ASSY.

## CYLINDER BARREL ASSY.

<u>NO.</u>	<u>PART NO.</u>	<u>PART NAME</u>	<u>QTY.</u>	<u>REMARKS</u>
1	12000ZL0811	CYLINDER BARREL ASSY. ....	1 .....	INCLUDES ITEMS W/*
2	15510ZE1033	OIL LEVEL SWITCH ASSY.	1	
3	16506ZL0000	GOVERNOR ASSY.	1	
4	16531ZE1000	SLIDER, GOVERNOR	1	
5	16541ZE1000	SHAFT, GOVERNOR ARM	1	
6	90131ZE1000	BOLT, DRAIN PLUG	2	
7	90451ZE1000	WASHER, THRUST 6MM	1	
8	90601ZE1000	WASHER, DRAIN PLUG 10.2MM	2	
9	90602ZE1000	CLIP, GOVERNOR HOLDER	1	
10*	91001ZF1003	BEARING, RADIAL BALL, 6205TMB NTN	1	
10*	91001ZF1004	BEARING, RADIAL BALL, 62055 KOYO	1	
11*	91202883005	OIL SEAL, 25X41X6	1	
12	91353671004	O-RING, 14MM NOK	1	
13	9405010000	NUT, FLANGE 10MM	1	
14	9410106800	WASHER, PLAIN 6MM	2	
15	9425108000	PIN, LOCK 8MM	1	
16	957010601200	BOL;T, FLANGE 6X12	2	

# GX-200VEN2 — CRANKCASE COVER ASSY.

CRANKCASE COVER ASSY.



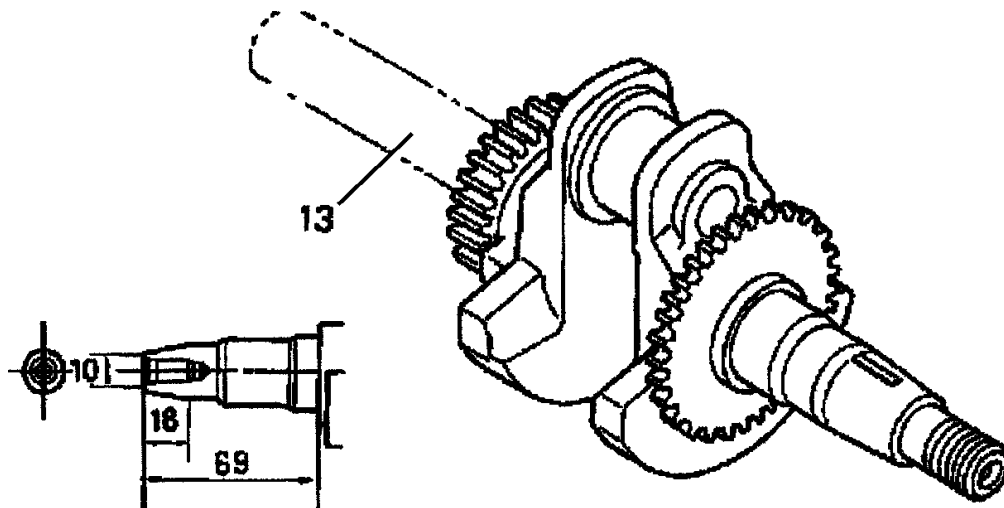
## GX-200VEN2 — CRANKCASE COVER ASSY.

### CRANKCASE COVER ASSY.

<u>NO.</u>	<u>PART NO.</u>	<u>PART NAME</u>	<u>QTY.</u>	<u>REMARKS</u>
2	11300ZE1633	COVER ASSY., CRANKCASE .....	1 .....	INCLUDES ITEMS W/*
4	11381ZL0000	PACKING, CASE COVER	1	
5	15600ZE1003	CAP ASSY., OIL FILLER .....	1 .....	INCLUDES ITEMS W/#
6	15600ZG4003	CAP ASSY., OIL FILLER .....	1 .....	INCLUDES ITEMS W/%
7 #%	15625ZE1003	PACKING, OIL FILLER CAP	2	
9*	91202883005	OIL SEAL, 25X41X6	1	
10	9430108140	DOWEL, PIL 8X14	2	
11	957010803200	BOLT, FLANGE 8X32	6	
12*	961006205000	BEARING, RADIAL BALL 6205	1	

# GX-200VEN2 — CRANKSHAFT ASSY.

CRANKSHAFT ASSY.



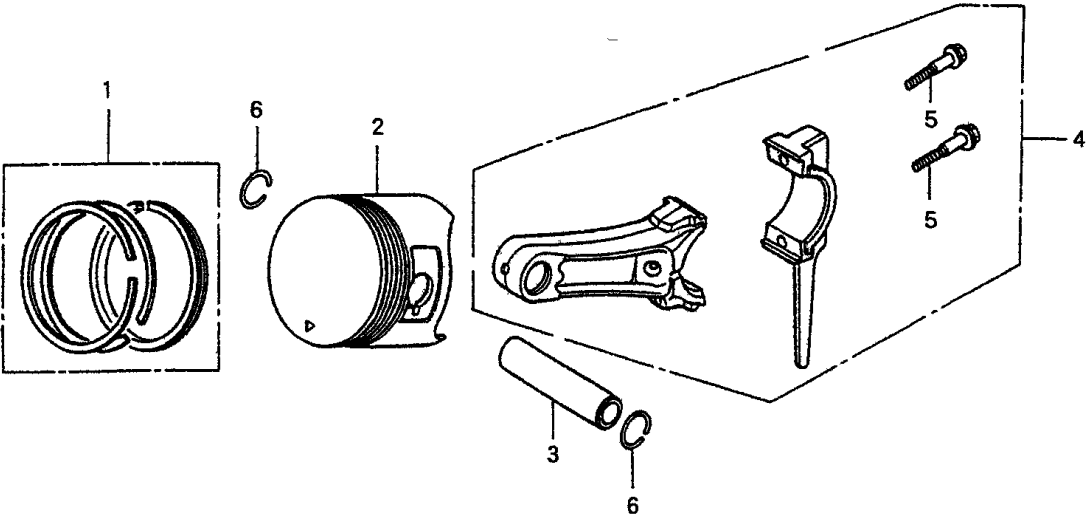
# GX-200VEN2 — CRANKSHAFT ASSY.

CRANKSHAFT ASSY.

<u>NO.</u>	<u>PART NO.</u>	<u>PART NAME</u>	<u>QTY.</u>	<u>REMARKS</u>
13	13310ZL0A00	CRANKSHAFT COMP.	1	

**GX-200VEN2 — PISTON ASSY.**

PISTON ASSY.





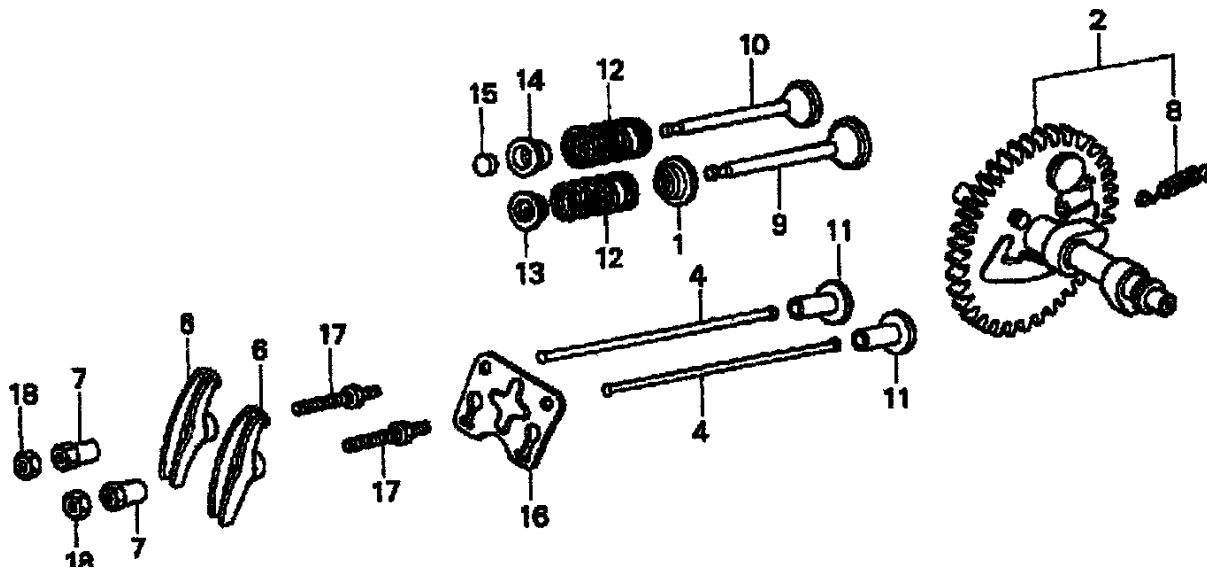
## GX-200VEN2 — PISTON ASSY.

### PISTON ASSY.

<u>NO.</u>	<u>PART NO.</u>	<u>PART NAME</u>	<u>QTY.</u>	<u>REMARKS</u>
2	11300ZE1633	COVER ASSY., CRANKCASE	1	
1	13010ZL0003	RING SET, PISTON STD TEKOKU	1	
1	13011ZL0003	RING SET, PISTON 0.25 TEKOKU	1	
1	13012ZL0003	RING SET, PISTON 0.50 TEKOKU	1	
1	13013ZL0003	RING SET, PISTON 0.75 TEKOKU	1	
2	13101ZL0010	PISTON, STD	1	
2	13102ZL0010	PISTON, 0.25	1	
2	13103ZL0010	PISTON 0.50	1	
2	13104ZL0010	PISTON 0.75	1	
3	13111ZE1000	PIN, PISTON	1	
4	13200ZE1010	ROD ASSY., CONNECTING ROD .....	2 .....	INCLUDES ITEMS W/*
5*	90001ZE1000	BOLT, CONNECTING ROD	2	
6	90551ZE1000	CLIP, PISTON PIN 18MM	2	

# GX-200VEN2 — CAMSHAFT ASSY.

CAMSHAFT ASSY.



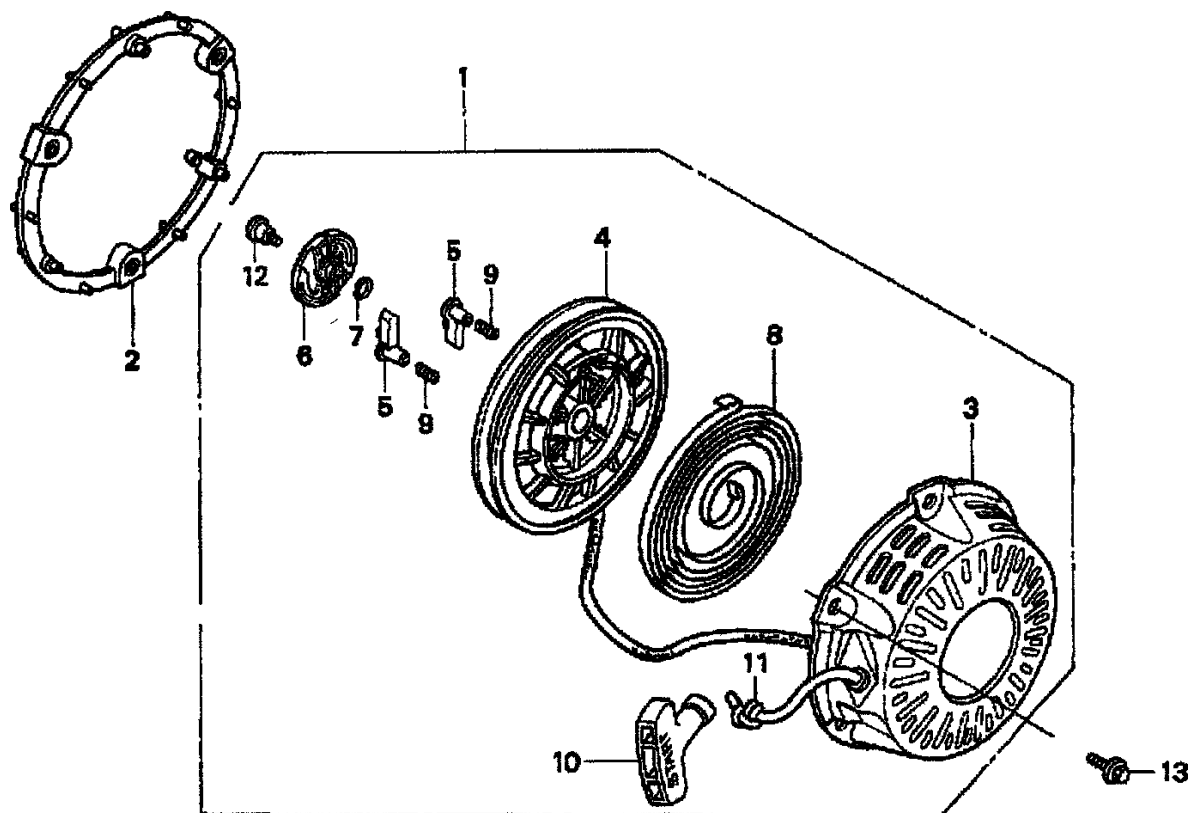
## GX-200VEN2 — CAMSHAFT ASSY.

### CAMSHAFT ASSY.

<u>NO.</u>	<u>PART NO.</u>	<u>PART NAME</u>	<u>QTY.</u>	<u>REMARKS</u>
1	12209ZH8003	SEAL, VALVE STEM	1	
2	14100ZL0000	CAMSHAFT ASSY. ....	1	INCLUDES ITEMS W/*
4	14410ZE1000	ARM, VALVE ROCKER	2	
6	14431ZE1000	ARM, VALVE ROCKER	2	
7	14451ZE1013	PIVOT, ROCKE54 ARM	2	
8*	14568ZE1000	SPRING, WEIGHT RETURN	1	
9	14711ZF1000	VALVE, IN.	1	
10	14721ZF1000	VALVE, EX.	1	
11	14731ZL0000	LIFTER, VALVE	2	
12	14751ZF1000	SPRING, VALVE	2	
13	14771ZE1000	RETAINER, IN. VALVE SPRING	1	
14	14773ZE1000	RETAINER, EX. VALVE SPRING	1	
15	14781ZE1000	ROTATOR, VAL;VE	1	
16	14791ZE1010	PLATEW, PUSH ROD GUIDE	1	
17	90012ZE0010	BOLT, PIVOT 8MM	2	
18	90206ZE1000	NUT, PIVOT ADJUSTING	2	

# GX-200VEN2 — RECOIL STARTER ASSY.

RECOIL STARTER ASSY.



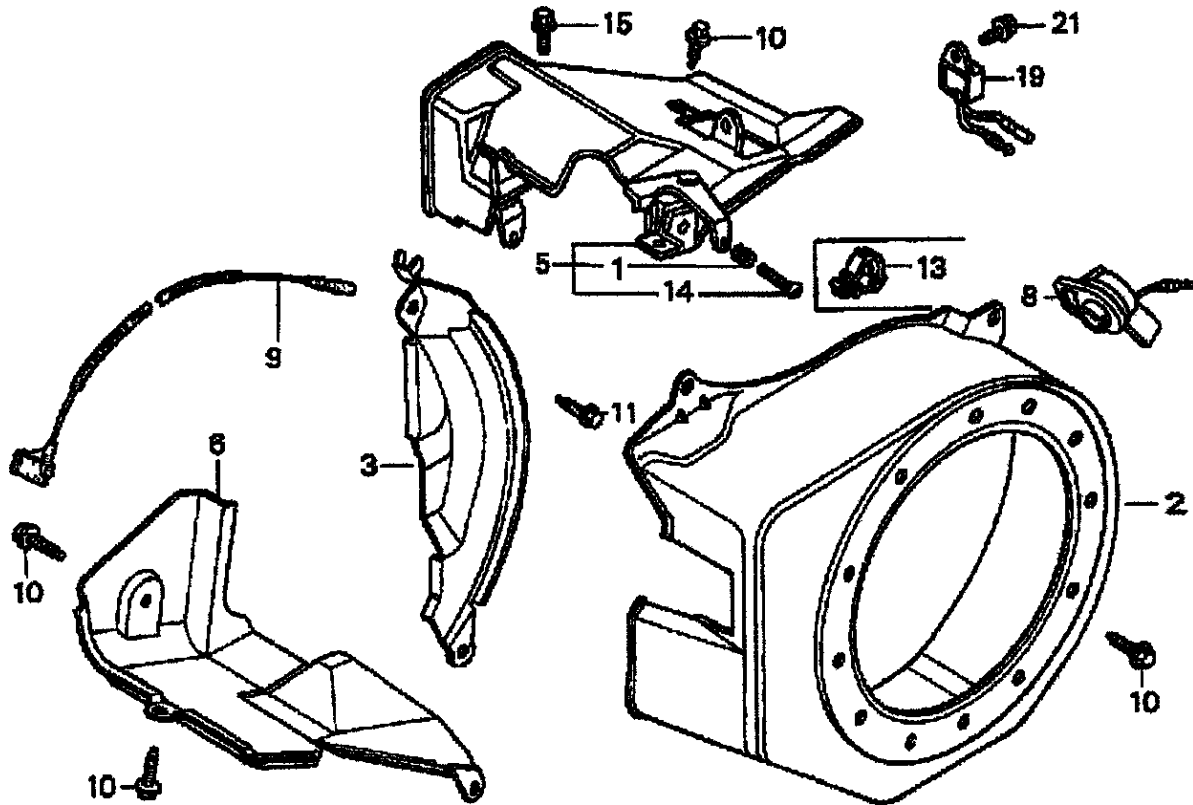
## GX-200VEN2 — RECOIL STARTER ASSY.

### RECOIL STARTER ASSY.

<u>NO.</u>	<u>PART NO.</u>	<u>PART NAME</u>	<u>QTY.</u>	<u>REMARKS</u>
1	28400ZH8013ZB	STARTER ASSY., RECOIL *NH1* BLACK .....	1 .....	INCLUDES ITEMS W/*
2	28405ZL0000ZA	SPACER, MOUNTING *NH1* BLACK	1	
3	28410ZH8003ZB	CASE COMP. *NH1* BLACK	1	
4	28420ZH8013	REEL, NATURAL	1	
5	28422ZH8013	RATCHET	2	
6	28433ZH8003	GUIDE	1	
7	28441ZH8003	SPRING, FRICTION	1	
8	28442ZH8003	SPRING	1	
9	28443ZH8003	SPRING, RETURN	2	
10	28461ZH8003	GRIP	1	
11	28462ZH8003	ROPE	1	
12	9003ZH8003	SCREW, SETTING	1	
13	957010601800	BOLT, FLANGE 6X18	3	

# GX-200VEN2 — FAN COVER ASSY.

FAN COVER ASSY.



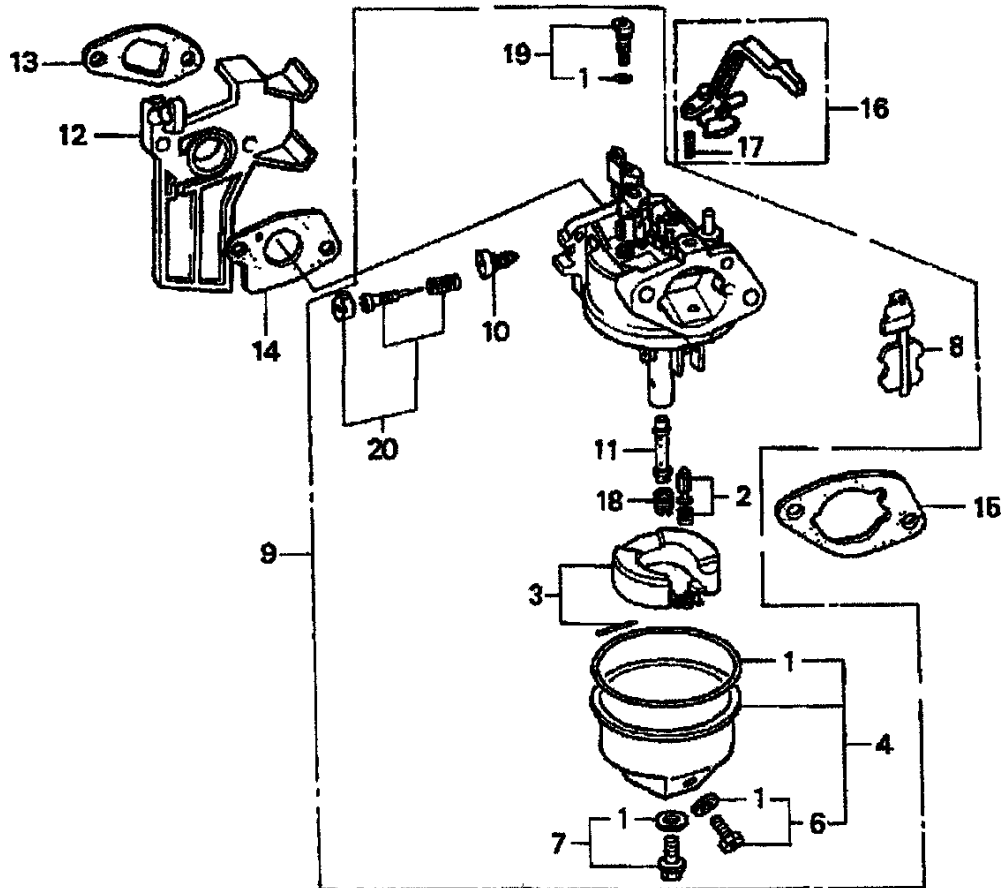
## GX-200VEN2 — FAN COVER ASSY.

### FAN COVER ASSY.

<u>NO.</u>	<u>PART NO.</u>	<u>PART NAME</u>	<u>QTY.</u>	<u>REMARKS</u>
1*	16584883300	SPRING, CONTROL ADJUSTING	1	
2	19610ZL0000ZD	COVER COMP., FAN *NH1* BLACK	1	
3	19611ZH8820	PLATE COMP., SIDE ALERT & LAMP	1	
5	19620ZL0V30	SHROUD ASSY., UPPER .....	1	INCLUDES ITEMS W/*
6	196740ZL0V30	SHROUD COMP., LOWER	1	
8	36100ZH7003	SWITCH ASSY., ENGINE STOP	1	
9	36101ZE1010	CORD, STOP SWITCH 370MM	1	
10	90013883000	BOLT, FLANGE 6X12 CT200	8	
11	90022888010	BOLT, FLANGE 6X20 CT200	1	
13	906901ZH7D02	CLIP, HARNESS	1	
14*	93500050350A	SCREW, PAN 5X35	1	
15	957010600800	BOLT, FLANGE 6X8	1	
19	34150ZH7003	ALERT UNIT, OIL	1	
21	957010600800	BOLT, FLANGE 6X8	1	

# GX-200VEN2 — CARBURETOR ASSY.

CARBURETOR ASSY.





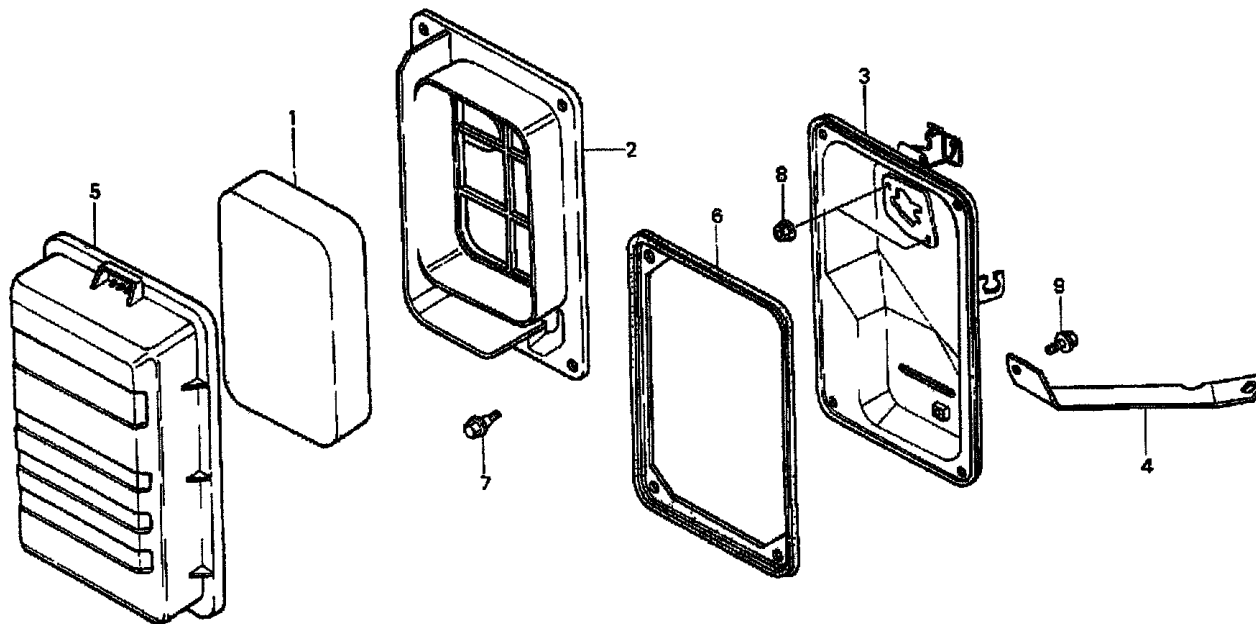
## GX-200VEN2 — CARBURETOR ASSY.

### CARBURETOR ASSY.

<u>NO.</u>	<u>PART NO.</u>	<u>PART NAME</u>	<u>QTY.</u>	<u>REMARKS</u>
1*#%+	16010ZB1015	GASKET SET	1	
2*	16011ZE0005	VALVE SET FLOAT	1	
3	16013ZE0005	FLOAT SET	1	
4	16015ZE0831	CHAMBER SERT FLOAT .....	1	INCLUDES ITEMS W/%
6*%	16024ZE1811	SCREW SETY, DRAIN	1	
7*	16028ZE0005	SCREW SET .....	1	INCLUDES ITEMS W/#
8*	16044ZE0005	CHOKE SET	1	
9	16100ZL0V31	CARBURETOR ASSY. BE74A A/B .....	1	INCLUDES ITEMS W/*
10*	16124ZE0005	SCREW, THROTTLE STOP	1	
11*	16166ZL0000	NOZZLE, MAIN	1	
12	16211ZL0000	INSULATOR	1	
13	16212ZH8800	PACKING, INSULATOR	1	
14	16221ZH8801	PACKING, CARBURETOR	1	
15	16269ZE1800	PACKING, AIR CLEANER	1	
16	16610ZB2000	LEVER COMP., CHOKE .....	1	INCLUDES ITEMS W/>
17>	9430520122	PIN, SPRING 2X12	1	
18*	99101ZH80720	JET, MAIN #72	1	
18*	99101ZH80750	JET, MAIN #75	1	
18*	99101ZH80780	JET, MAIN #78	1	
19*	99204ZE20400	JET SET, PILOT #40 .....	1	INCLUDES ITEMS W/+
20*	16016ZH7W01	SCREW SET, PILOT	1	

# GX-200VEN2 — AIR CLEANER ASSY.

AIR CLEANER ASSY.

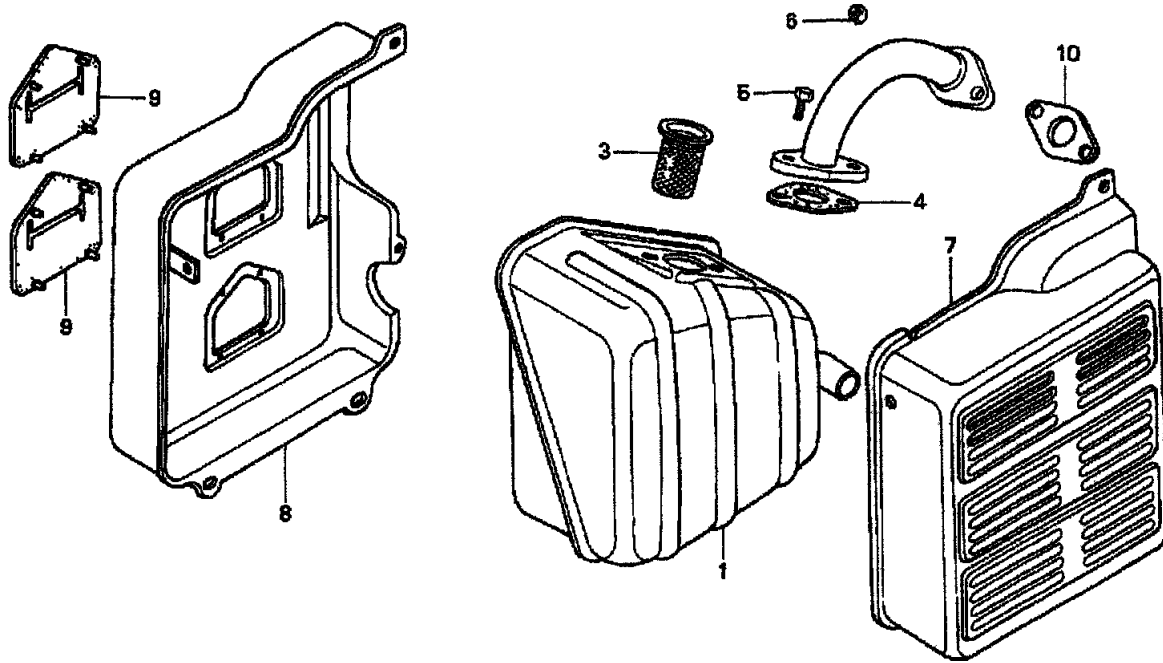


## GX-200VEN2 — AIR CLEANER ASSY.

### AIR CLEANER ASSY.

<u>NO.</u>	<u>PART NO.</u>	<u>PART NAME</u>	<u>QTY.</u>	<u>REMARKS</u>
1	17211ZB2000	ELEMENT	1	
2	17212ZB2000	SEPARATOR	1	
3	17220ZB2000	CASE COMP.	1	
4	17222ZL0V30	STAY	1	
5	17231ZB2000	COVER	1	
6	17252ZB2000	SEAL	1	
7	90115459770	BOLT, WINKER SETTING	4	
8	9405006080	NUT, FLANGE 6MM	2	
9	957010601000	BOLT, FLANGE 6X10	1	

## MUFFLER ASSY.

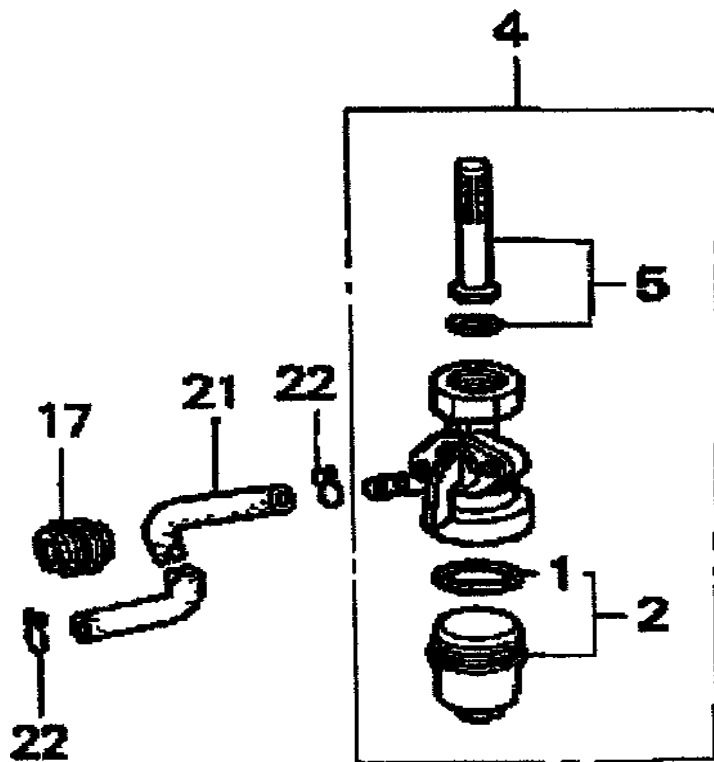


## GX-200VEN2 — MUFFLER ASSY.

### MUFFLER ASSY.

<u>NO.</u>	<u>PART NO.</u>	<u>PART NAME</u>	<u>QTY.</u>	<u>REMARKS</u>
1	18310ZB3C00	MUFFLER COMP.	1	
3	18355898630	ARRESTER, SPARK	1	
4	18381ZE1800	GASKET	1	
5	92101080200A	BOLT, HEX. 8X20	2	
6	94001080000S	NUT, HEX 8MM	2	
7	18310ZB2000	PROTECTOR, MUFFLER OUTER	1	
8	18325ZH8T90	PROTECTOR, MUFFLER INNER DENYO	1	
9	18329ZB2000	SEAL, MUFFLER PROTECTOR	2	
10	18381ZH8800	GASKET	1	

FUEL COCK ASSY.

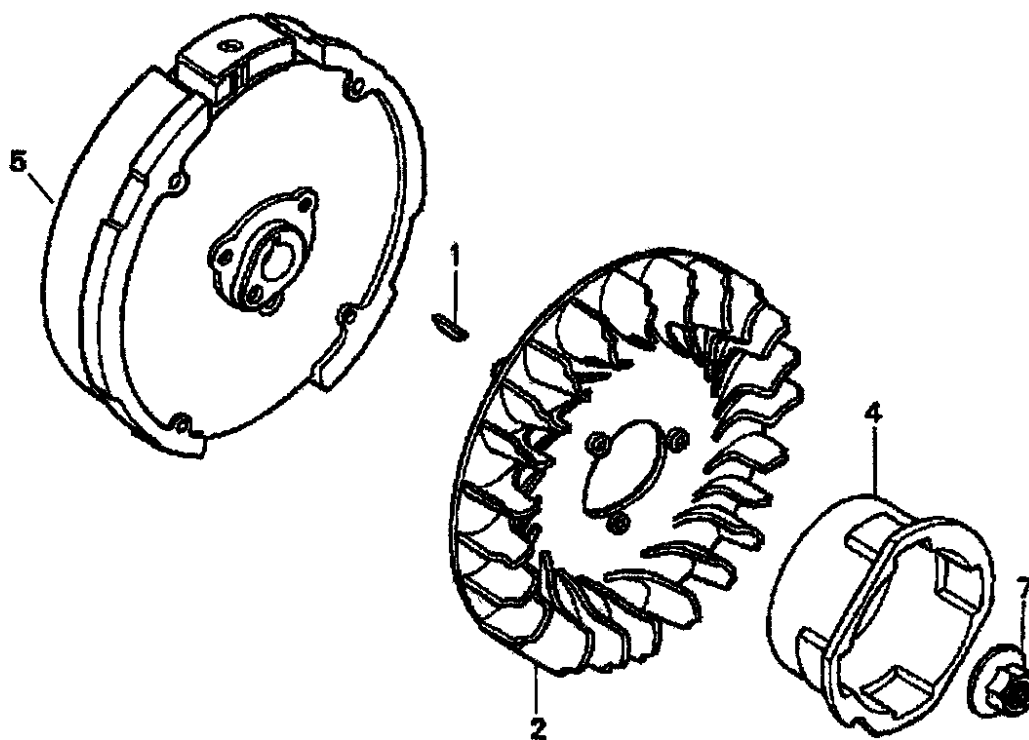


## GX-200VEN2 — FUEL COCK ASSY.

### FUEL COCK ASSY.

<u>NO.</u>	<u>PART NO.</u>	<u>PART NAME</u>	<u>QTY.</u>	<u>REMARKS</u>
1	16080898631	PACKING SET, COCK	1	
2	16081471831	CUP, FUEL STRAINER	1	
4	16950898632	FUEL COCK ASSY.	1	
5	16952883005	SCREEN SET	1	
17	90854ZB3000	RUBBER, 9X15X20	1	
21	950014514040	TUBE, 4.5 140 .....	1	REPLACES 950014500160M
22	9500202080	CLIP B8, TUBE	2	

FLYWHEEL ASSY.





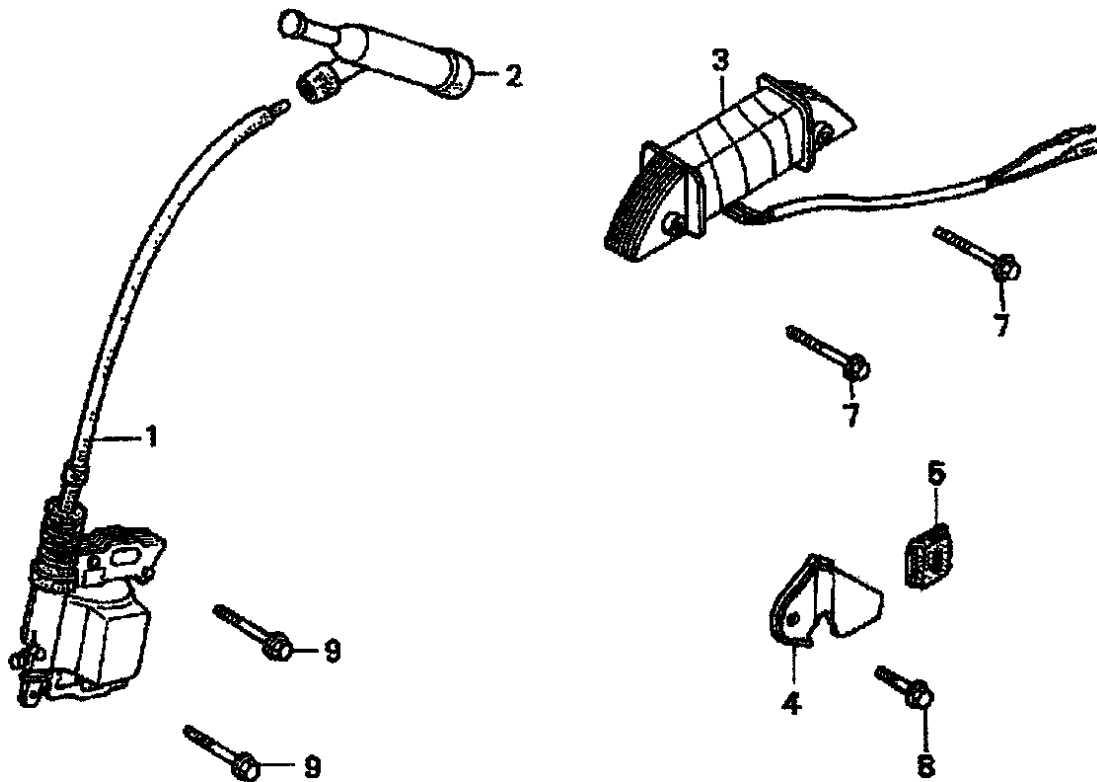
## GX-200VEN2 — FLYWHEEL ASSY.

FLYWHEEL ASSY.

<u>NO.</u>	<u>PART NO.</u>	<u>PART NAME</u>	<u>QTY.</u>	<u>REMARKS</u>
1	13331357000	KEY, SPECIAL WOODRUFF, 25 X18	1	
2	19511ZE1000	FAN, COOLING	1	
4	28451ZL0000	PULLEY, STARTER	1	
5	31110ZL0811	FLYWHEEL COMPLETE, (LAMP)	1	
7	90201878003	NUT, SPECIAL 14 MM	1	

# GX-200VEN2 — IGNITION COIL ASSY.

IGNITION COIL ASSY.

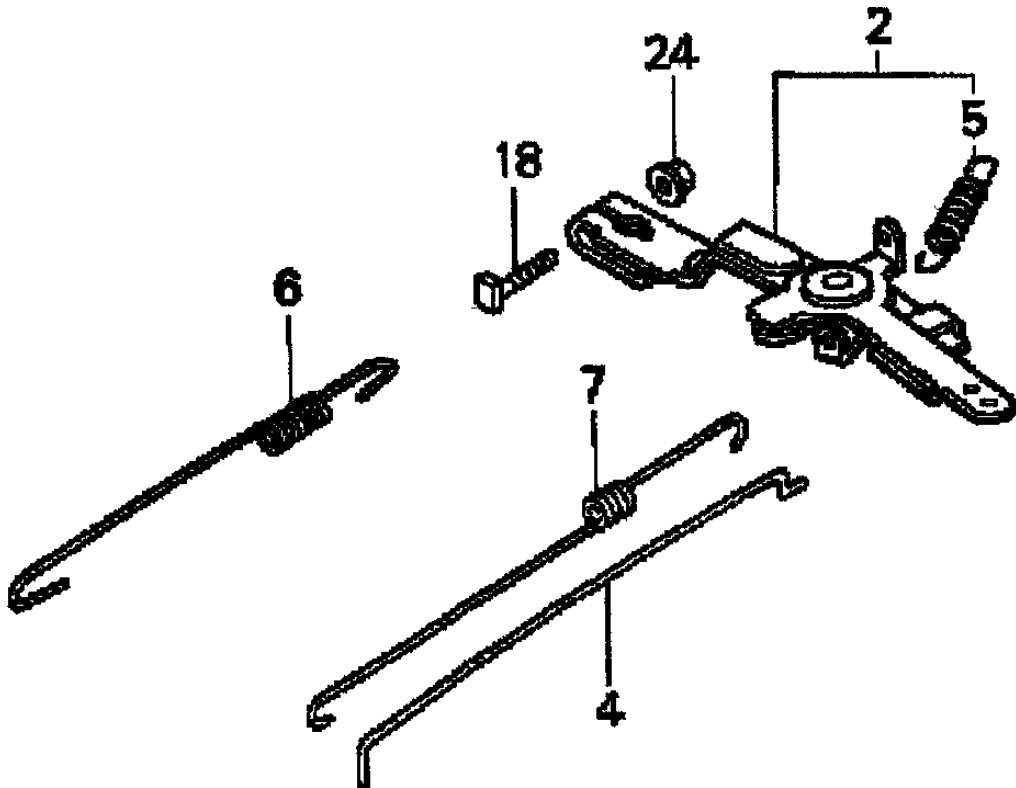


## GX-200VEN2 — IGNITION COIL ASSY.

### IGNITION COIL ASSY.

<u>NO.</u>	<u>PART NO.</u>	<u>PART NAME</u>	<u>QTY.</u>	<u>REMARKS</u>
1	30500ZE1033	IGNITION COIL ASSY.	1	
2	30600ZE1013	TERMINAL ASSY. HIGH TENSION .....	1 .....	NICHIWA Y-EZ
3	31630ZL0V31	COIL ASSY., CHARGE	1	
4	31511ZE1000	CLAMAPER, CORD	1	
5	31512ZE1000	GROMMET, CORD	1	
7	90015883000	BOLT, FLANGE 6X28	2	
8	90019883000	BOLT, FLANGE 5X10	1	
9	90121952000	BOLT, FLANGEN 6X25	2	

CONTROL ASSY.



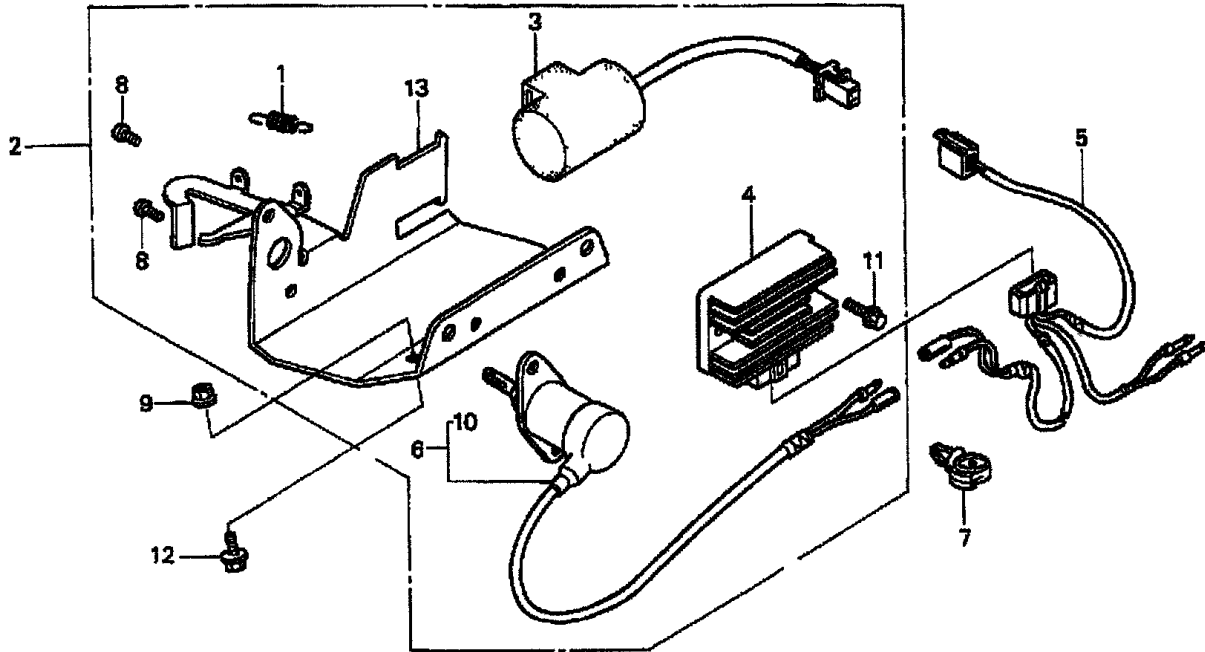
## GX-200VEN2 — CONTROL ASSY.

CONTROL ASSY.

<u>NO.</u>	<u>PART NO.</u>	<u>PART NAME</u>	<u>QTY.</u>	<u>REMARKS</u>
1	30500ZE1033	IGNITION COIL ASSY.	1	
2	16550ZL0V30	ARM COMP, GOVERNOR	1	
4	16555ZL0V30	ROD, GOVERNOR	1	
5	16559ZL0V30	RETURN SPRING, COVENOR SUB. ARM	1	
6	16561ZL0V30	SPRING, GOVERNOR	1	
7	16562ZL0V30	SPRING, THROTTLE RETURN	1	
18	90015ZE5010	BOLT, GOVERNORT ARM	1	
24	9405006000	NUT, FLANGE 6MM	1	

# GX-200VEN2 — RECTIFIER ASSY.

RECTIFIER ASSY.

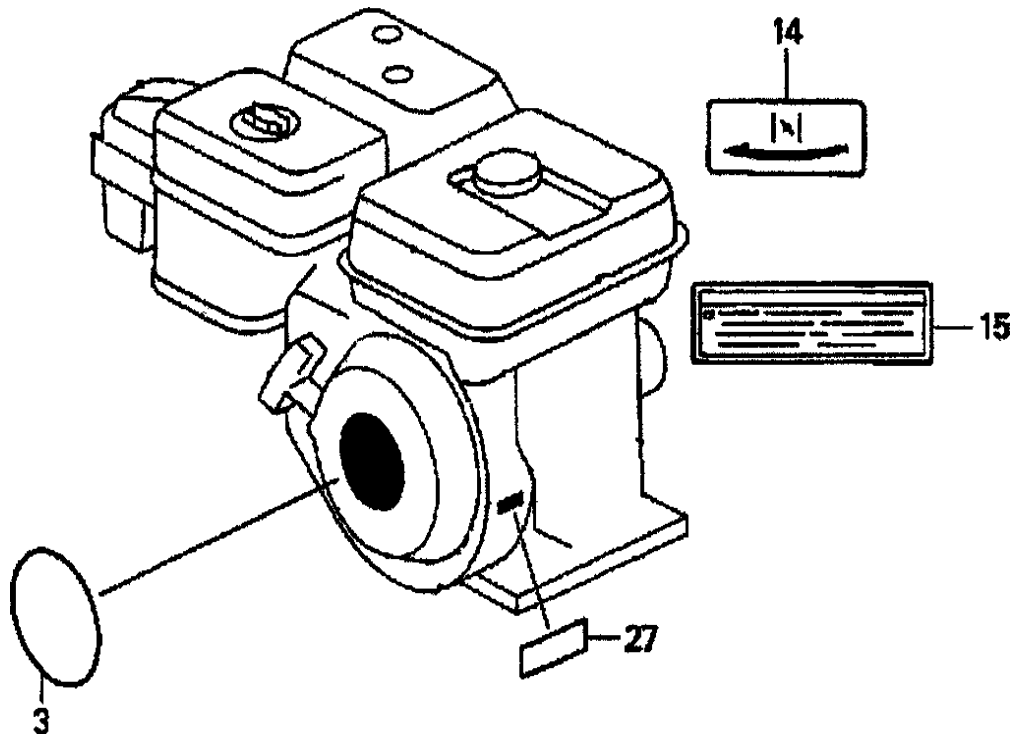


## GX-200VEN2 — RECTIFER ASSY.

### RECTIFER ASSY.

<u>NO.</u>	<u>PART NO.</u>	<u>PART NAME</u>	<u>QTY.</u>	<u>REMARKS</u>
1*	1628893000	SPRING, CHOKER RETURN	1	
2	16270ZL0V30	AUTO THROTTLE ASSY. ....	1	INCLUDES ITEMS W/*
3*	31700KAE871	CONDENSER UNIT	1	
4*	31750ZL0V31	RECTIFIER ASSY., REGULATOR	1	
5	32110ZL0V30	SUB HARNESS ASSY.	1	
6*	36330ZL0V31	SOLENOID ASSY. ....	1	INCLUDES ITEMS W/#
7	90683SA0003	CLIP, WIRE HARNESS 25MM	2	
8*	93500050080A	SCREW, PAN 5X8	2	
9	9405006000	NUT, FLANGE 6MM	2	
10#	9430520062	PIN, SPRING 2X6	1	
11*	957010601600	BOLT, FLANGE 6X16	2	
12	957010602500	BOLT, FLANGE 6X25	2	
13*	16273ZL0V30	LEVER, SOLENOID THROTTLE	1	

LABEL ASSY.





LABEL ASSY.

<u>NO.</u>	<u>PART NO.</u>	<u>PART NAME</u>	<u>QTY.</u>	<u>REMARKS</u>
3	87521ZL0000	EMBLEM	1	
14	87528ZB2630	MARK, CHOKE	1	
15	87533ZC0630	MARK, AIR CLEANER	1	
27	87532ZH8810	MARK, OIL ALERT	1	

**PAYMENT TERMS**

Terms of payment for parts are net 10 days.

**FREIGHT POLICY**

All parts orders will be shipped collect or prepaid with the charges added to the invoice. All shipments are F.O.B. point of origin. Multiquip's responsibility ceases when a signed manifest has been obtained from the carrier, and any claim for shortage or damage must be settled between the consignee and the carrier.

**MINIMUM ORDER**

The minimum charge for orders from Multiquip is \$15.00 net. Customers will be asked for instructions regarding handling of orders not meeting this requirement.

**RETURNED GOODS POLICY**

Return shipments will be accepted and credit will be allowed, subject to the following provisions:

1. A Returned Material Authorization must be approved by Multiquip prior to shipment.
2. To obtain a Return Material Authorization, a list must be provided to Multiquip Parts Sales that defines item numbers, quantities, and descriptions of the items to be returned.
  - a. The parts numbers and descriptions must match the current parts price list.
  - b. The list must be typed or computer generated.
  - c. The list must state the reason(s) for the return.
  - d. The list must reference the sales order(s) or invoice(s) under which the items were originally purchased.
  - e. The list must include the name and phone number of the person requesting the RMA.
3. A copy of the Return Material Authorization must accompany the return shipment.
4. Freight is at the sender's expense. All parts must be returned freight prepaid to Multiquip's designated receiving point.

5. Parts must be in new and resalable condition, in the original Multiquip package (if any), and with Multiquip part numbers clearly marked.
6. The following items are not returnable:
  - a. Obsolete parts. (If an item is in the price book and shows as being replaced by another item, it is obsolete.)
  - b. Any parts with a limited shelf life (such as gaskets, seals, "O" rings, and other rubber parts) that were purchased more than six months prior to the return date.
  - c. Any line item with an extended dealer net price of less than \$5.00.
  - d. Special order items.
  - e. Electrical components.
  - f. Paint, chemicals, and lubricants.
  - g. Decals and paper products.
  - h. Items purchased in kits.
7. The sender will be notified of any material received that is not acceptable.
8. Such material will be held for five working days from notification, pending instructions. If a reply is not received within five days, the material will be returned to the sender at his expense.
9. Credit on returned parts will be issued at dealer net price at time of the original purchase, less a 15% restocking charge.
10. In cases where an item is accepted, for which the original purchase document can not be determined, the price will be based on the list price that was effective twelve months prior to the RMA date.
11. Credit issued will be applied to future purchases only.

**PRICING AND REBATES**

Prices are subject to change without prior notice. Price changes are effective on a specific date and all orders received on or after that date will be billed at the revised price. Rebates for price declines and added charges for price increases will not be made for stock on hand at the time of any price change.

Multiquip reserves the right to quote and sell direct to Government agencies, and to Original Equipment Manufacturer accounts who use our products as integral parts of their own products.

**SPECIAL EXPEDITING SERVICE**

A \$35.00 surcharge will be added to the invoice for special handling including bus shipments, insured parcel post or in cases where Multiquip must personally deliver the parts to the carrier.

**LIMITATIONS OF SELLER'S LIABILITY**

Multiquip shall not be liable hereunder for damages in excess of the purchase price of the item with respect to which damages are claimed, and in no event shall Multiquip be liable for loss of profit or good will or for any other special, consequential or incidental damages.

**LIMITATION OF WARRANTIES**

No warranties, express or implied, are made in connection with the sale of parts or trade accessories nor as to any engine not manufactured by Multiquip. Such warranties made in connection with the sale of new, complete units are made exclusively by a statement of warranty packaged with such units, and Multiquip neither assumes nor authorizes any person to assume for it any other obligation or liability whatever in connection with the sale of its products. Apart from such written statement of warranty, there are no warranties, express, implied or statutory, which extend beyond the description of the products on the face hereof.



# OPERATION AND PARTS MANUAL

## **HERE'S HOW TO GET HELP**

PLEASE HAVE THE MODEL AND SERIAL  
NUMBER *ON-HAND* WHEN CALLING

### **MULTIQUIP CORPORATE OFFICE**

18910 Wilmington Ave.

Carson, CA 90746

Email: [mq@multiquip.com](mailto:mq@multiquip.com)

Internet: [www.multiquip.com](http://www.multiquip.com)

800-421-1244

FAX: 310-537-3927

### **PARTS DEPARTMENT**

800-427-1244

310-537-3700

FAX: 800-672-7877

FAX: 310-637-3284

### **MAYCO PARTS**

800-306-2926

310-537-3700

FAX: 800-672-7877

FAX: 310-637-3284

### **SERVICE DEPARTMENT**

800-478-1244

310-537-3700

FAX: 310-537-4259

### **TECHNICAL ASSISTANCE**

800-478-1244

FAX: 310-631-5032

### **WARRANTY DEPARTMENT**

800-421-1244, EXT. 279

310-537-3700, EXT. 279

FAX: 310-537-1173

Manufactured for MULTIQUIP INC.

by

DENYO MANUFACTURING CO., JAPAN

Your Local Dealer is:



Atlanta • Boise • Dallas • Houston • Newark  
Montreal, Canada • Manchester, UK  
Rio De Janeiro, Brazil • Guadalajara, Mexico

## Free Manuals Download Website

<http://myh66.com>

<http://usermanuals.us>

<http://www.somanuals.com>

<http://www.4manuals.cc>

<http://www.manual-lib.com>

<http://www.404manual.com>

<http://www.luxmanual.com>

<http://aubethermostatmanual.com>

Golf course search by state

<http://golfingnear.com>

Email search by domain

<http://emailbydomain.com>

Auto manuals search

<http://auto.somanuals.com>

TV manuals search

<http://tv.somanuals.com>