



TLG12SPX WhisperWatt™ Generator

WhisperWatt™ 12kW

Prime Rating: 12 kW (12 kVA)

Standby Rating: 13 kW (13 kVA)

60 Hertz, 3600 RPM

Single Phase, 1.0 Power Factor

120V - 50A (2 sets)

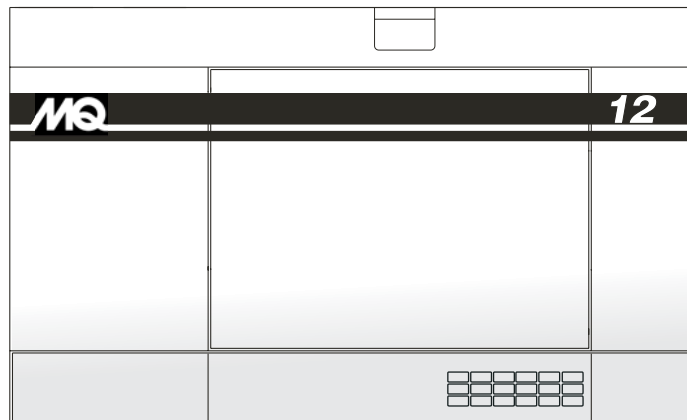
240V - 50A

Standard Features:

- **Excellent voltage regulation** - Power is controlled within $\pm 0.5\%$ of mean voltage. External regulator.
- **Complete power panel** - Fully covered; NEMA standard single phase receptacles including:
 - 1 - 120V, 20A Duplex with GFI 5-20R
 - 1 - 120V, 30A Twistlock L5-30R
 - 1 - 240V, 30A Twistlock L6-30R
 - 1 - 120/240 50A Twistlock CS6369
- **Main Line Circuit Breaker** - Thermal-magnetic trip mechanism, 50 Amp rating.
- **Brushless generator design** - Reduces services and maintenance requirements.
- **Automatic safety shutdown system** - Monitors the engine oil pressure and water temperature; warning lights indicate abnormal conditions.
- **Sound attenuated, weather resistant, steel housing** - Standard baffles and insulation to reduce operating noise levels to as low as 68 db(A) at 23 feet.
- **Easy Maintenance Design** - Quick, direct access to all filters. External fluid drain extensions allow fast, easy service.
- **Fully lockable enclosure** - Allows safe unattended operation. Single point lifting capability.
- **Complete Instrumentation** - Easy-to-read, illuminated instrument panel.

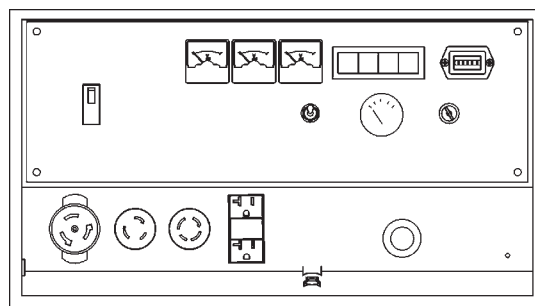
Control Panel Instrumentation:

- Frequency meter
- AC ammeter
- AC voltmeter
- Manual speed control
- Keyed start switch
- Fuel gauge
- Voltage regulator control
- Hour meter
- AC circuit breaker
- Alarm lamp (oil, water, charging, pre-heat)



Optional Features:

- **Electronic Governor Control (Crystal Sync)** - Maintains frequency to within $\pm 0.25\%$ from no load to full load. A manual idle switch is also available.
- **Automatic Start/Stop Control** - Automatically starts and monitors generator during power failure when used in conjunction with a transfer switch.
- **Jacket Water Heater** - For easy starting in cold climates.
- **Solid State Battery Charger** - Provides fully automatic and self-adjusting charging to the generator's battery system.
- **Fuel/Water Filter** - Effectively separates damaging condensation from fuel.
- **Emergency Stop Switch**
- **Single Wall or Double Wall Sub-base Fuel Tanks** - Additional fuel cell for extended run time. Available in a variety of configurations.
- **Trailer Mounted Package** - Highway legal trailer with single axle configuration. Extra capacity fuel tank is also available.





TLG12SPX WhisperWatt™ Generator

Generator Specifications

Type	2-Pole, Revolving field, Self-ventilated, Drip-proof, Single bearing
Excitation	Brushless with AVR
Number of Leads	4 Leads
Frequency	60 Hz
Insulation	Class F
Generator RPM	3600
Power Factor	1.0
Armature Connection	Series
Voltage Regulation (no load to full load)	±0.5%
Sound Level dB(A) Full load 23 ft.	68

Engine Specifications

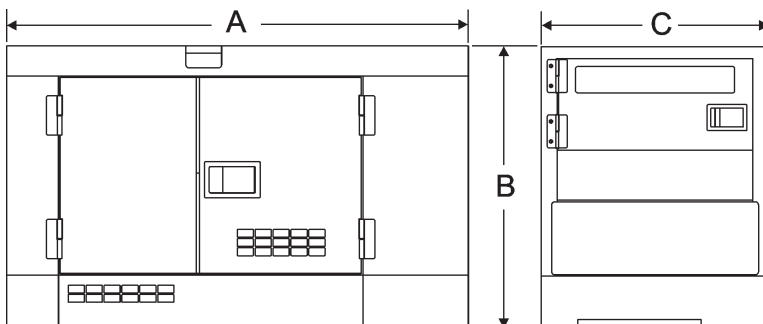
Make	Kubota
Model	D902
Emissions	EPA Tier 4 Certified
Design	3 cylinder, 4-cycle, water cooled, Swirl Chamber
Displacement	898 cc
Bore	2.83 in. (72 mm)
Stroke	2.89 in. (73.6 mm)
SAE Gross Horsepower	24.8 hp
Starting System	Electric
Battery	12V 45 Ah x 1
Oil Capacity	0.95 gal (3.6 L)
Coolant Capacity	0.92 gal (3.5 L)

Fuel System

Fuel Tank Capacity	13.5 gal (51.1 L)
Fuel Consumption	
Diesel Fuel At % of Load	gal/hr (L/hr)
100%	1.4 (5.2)
75%	1.1 (4.4)
50%	1.0 (3.8)
25%	0.8 (3.1)

Weights and Measurements

Housing (mm)	A	B	C
	56 in. (1422)	34 in. (863)	28 in. (711)
Appx. Dry Weight	858 lbs (389 kg)		
Appx. Wet Weight	964 lbs (437 kg)		
Max. Lifting Point Capacity	1600 lbs (735 kg)		



Warranty*

Kubota Engine

24 months or 2000 hours from date of purchase (whichever occurs first).

Generator

24 months or 2000 hours from date of purchase (whichever occurs first).

*Refer to the express written, one-year limited warranty sheet for additional information.

Trailer

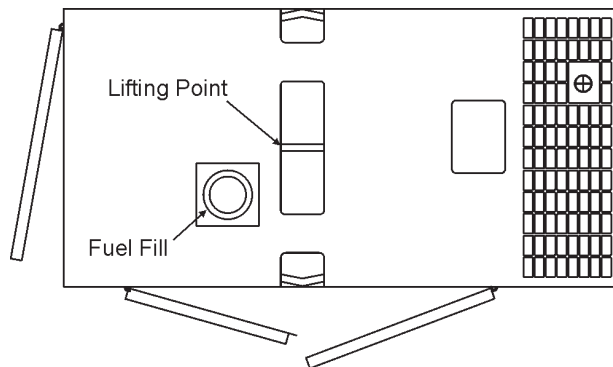
12 months excluding normal wear items.

Generator is not intended for use in enclosed areas or where free flow of air is restricted. Backfeed to a utility system can cause electrocution and/or property damage. Do not connect to any building's electrical system except through an approved device.

Specifications are subject to change without notice.

Your MQ Power dealer is:

Top View



MQ POWER

POST OFFICE BOX 6254
CARSON, CA 90749
310-537-3700 • 800-421-1244
FAX: 310-632-2656
E-MAIL: mqpower@multiquip.com
WEBSITE: www.mqpower.com

Free Manuals Download Website

<http://myh66.com>

<http://usermanuals.us>

<http://www.somanuals.com>

<http://www.4manuals.cc>

<http://www.manual-lib.com>

<http://www.404manual.com>

<http://www.luxmanual.com>

<http://aubethermostatmanual.com>

Golf course search by state

<http://golfingnear.com>

Email search by domain

<http://emailbydomain.com>

Auto manuals search

<http://auto.somanuals.com>

TV manuals search

<http://tv.somanuals.com>