

PARTS MANUAL



***WHITEMAN* SERIES** **MODEL HHXD5** **RIDE-ON POWER TROWEL** **(B & S VANGUARD DM950DT DIESEL ENGINE)**

Revision #3 (07/24/13)

To find the latest revision of this
publication, visit our website at:
www.multiquip.com



THIS MANUAL MUST ACCOMPANY THE EQUIPMENT AT ALL TIMES.

PN: 23466

TABLE OF CONTENTS

HHXD5 Ride-On Trowel

| | |
|--|-------|
| Table Of Contents..... | 2 |
| Parts Ordering Procedures..... | 3 |
| Explanation Of Code In Remarks Column..... | 4 |
| Suggested Spare Parts | 5 |
| Nameplate And Decals..... | 6-7 |
| Seat Frame Assembly | 8-9 |
| Seat Frame Assembly (Right)..... | 10-11 |
| Seat Frame Assembly (Left)..... | 12-13 |
| Frame Assembly..... | 14-15 |
| Platform Assembly..... | 16-17 |
| Spray Assembly..... | 18-19 |
| Pivot Assembly (Left)..... | 20-21 |
| Pivot Assembly (Right) | 22-23 |
| Gear Box Assembly | 24-25 |
| Pitch Control Tower Assembly | 26-27 |
| Pitch Control Drive Cable Assembly | 28-29 |
| Spider Assembly (Left) | 30-31 |
| Spider Assembly (Right)..... | 32-33 |
| Stabilizer Ring Assembly..... | 34-35 |
| Drive Assembly (Old Style)..... | 36-37 |
| Drive Assembly (New Style) | 38-39 |
| Engine Assembly | 40-41 |
| Engine Clutch Assembly (Old Style)..... | 42-43 |
| Engine Clutch Assembly (New Style) | 44-45 |
| Engine Mount Assembly..... | 46-47 |
| Hydraulic Pump Assembly..... | 48-49 |
| Battery Assembly..... | 50-51 |
| Lights Assembly | 52-53 |
| Electrical Assembly | 54-55 |
| Fuel Tank Assembly..... | 56-57 |
| Left-Hand Valve Assembly..... | 58-59 |
| Right-Hand Valve Assembly | 60-61 |
| Hydraulic Steering Mounting Assembly..... | 62-63 |
| Hydraulic Steering Assembly..... | 64-65 |
| Terms And Conditions Of Sale — Parts | 66 |

NOTICE

Part numbers are subject to change without notice.

PARTS ORDERING PROCEDURES

Ordering parts has never been easier! Choose from three easy options:

Effective:
January 1st, 2006

www.multiquip.com



Order via Internet (Dealers Only):

Order parts on-line using Multiquip's SmartEquip website!

- View Parts Diagrams
- Order Parts
- Print Specification Information



If you have an MQ Account, to obtain a Username and Password, E-mail us at: parts@multiquip.com.

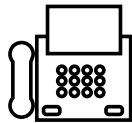
To obtain an MQ Account, contact your District Sales Manager for more information.

Goto www.multiquip.com and click on

Order Parts to log in and save!

Use the **internet** and qualify for a **5% Discount** on *Standard orders* for all orders which include complete part numbers.*

Note: Discounts Are Subject To Change



Order via Fax (Dealers Only):

All customers are welcome to order parts via Fax.

Domestic (US) Customers dial:
1-800-6-PARTS-7 (800-672-7877)

Fax your order in and qualify for a **2% Discount** on *Standard orders* for all orders which include complete part numbers.*

Note: Discounts Are Subject To Change



Order via Phone: Domestic (US) Dealers Call:
1-800-427-1244

Non-Dealer Customers:

Contact your local Multiquip Dealer for parts or call 800-427-1244 for help in locating a dealer near you.



International Customers should contact their local Multiquip Representatives for Parts Ordering information.

When ordering parts, please supply:

- | | |
|---|--|
| <input type="checkbox"/> Dealer Account Number | <input type="checkbox"/> Specify Preferred Method of Shipment: |
| <input type="checkbox"/> Dealer Name and Address | <input checked="" type="checkbox"/> UPS/Fed Ex <input checked="" type="checkbox"/> DHL |
| <input type="checkbox"/> Shipping Address (if different than billing address) | <input type="checkbox"/> Priority One <input checked="" type="checkbox"/> Truck |
| <input type="checkbox"/> Return Fax Number | <input type="checkbox"/> Ground |
| <input type="checkbox"/> Applicable Model Number | <input type="checkbox"/> Next Day |
| <input type="checkbox"/> Quantity, Part Number and Description of Each Part | <input type="checkbox"/> Second/Third Day |

NOTICE

All orders are treated as *Standard Orders* and will ship the same day if received prior to 3PM PST.

WE ACCEPT ALL MAJOR CREDIT CARDS!



EXPLANATION OF CODE IN REMARKS COLUMN

The following section explains the different symbols and remarks used in the Parts section of this manual. Use the help numbers found on the back page of the manual if there are any questions.

NOTICE

The contents and part numbers listed in the parts section are subject to change **without notice**. Multiquip does not guarantee the availability of the parts listed.

SAMPLE PARTS LIST

| NO. | PART NO. | PART NAME | QTY. | REMARKS |
|-----|----------|----------------------|------|---------------------|
| 1 | 12345 | BOLT | 1 | INCLUDES ITEMS W/% |
| 2% | | WASHER, 1/4 IN. | | NOT SOLD SEPARATELY |
| 2% | 12347 | WASHER, 3/8 IN. ... | 1 | MQ-45T ONLY |
| 3 | 12348 | HOSE | A/R | MAKE LOCALLY |
| 4 | 12349 | BEARING | 1 | S/N 2345B AND ABOVE |

NO. Column

Unique Symbols — All items with same unique symbol

(@, #, +, %, or >) in the number column belong to the same assembly or kit, which is indicated by a note in the “Remarks” column.

Duplicate Item Numbers — Duplicate numbers indicate multiple part numbers, which are in effect for the same general item, such as different size saw blade guards in use or a part that has been updated on newer versions of the same machine.

NOTICE

When ordering a part that has more than one item number listed, check the remarks column for help in determining the proper part to order.

PART NO. Column

Numbers Used — Part numbers can be indicated by a number, a blank entry, or TBD.

TBD (To Be Determined) is generally used to show a part that has not been assigned a formal part number at the time of publication.

A blank entry generally indicates that the item is not sold separately or is not sold by Multiquip. Other entries will be clarified in the “Remarks” Column.

QTY. Column

Numbers Used — Item quantity can be indicated by a number, a blank entry, or A/R.

A/R (As Required) is generally used for hoses or other parts that are sold in bulk and cut to length.

A blank entry generally indicates that the item is not sold separately. Other entries will be clarified in the “Remarks” Column.

REMARKS Column

Some of the most common notes found in the “Remarks” Column are listed below. Other additional notes needed to describe the item can also be shown.

Assembly/Kit — All items on the parts list with the same unique symbol will be included when this item is purchased.

Indicated by:

“INCLUDES ITEMS W/(unique symbol)”

Serial Number Break — Used to list an effective serial number range where a particular part is used.

Indicated by:

“S/N XXXXX AND BELOW”

“S/N XXXX AND ABOVE”

“S/N XXXX TO S/N XXX”

Specific Model Number Use — Indicates that the part is used only with the specific model number or model number variant listed. It can also be used to show a part is NOT used on a specific model or model number variant.

Indicated by:

“XXXXX ONLY”

“NOT USED ON XXXX”

“Make/Obtain Locally” — Indicates that the part can be purchased at any hardware shop or made out of available items. Examples include battery cables, shims, and certain washers and nuts.

“Not Sold Separately” — Indicates that an item cannot be purchased as a separate item and is either part of an assembly/kit that can be purchased, or is not available for sale through Multiquip.

SUGGESTED SPARE PARTS

HHXD5 RIDE-ON TROWEL WITH B & S VANGUARD DM950BT DIESEL ENGINE

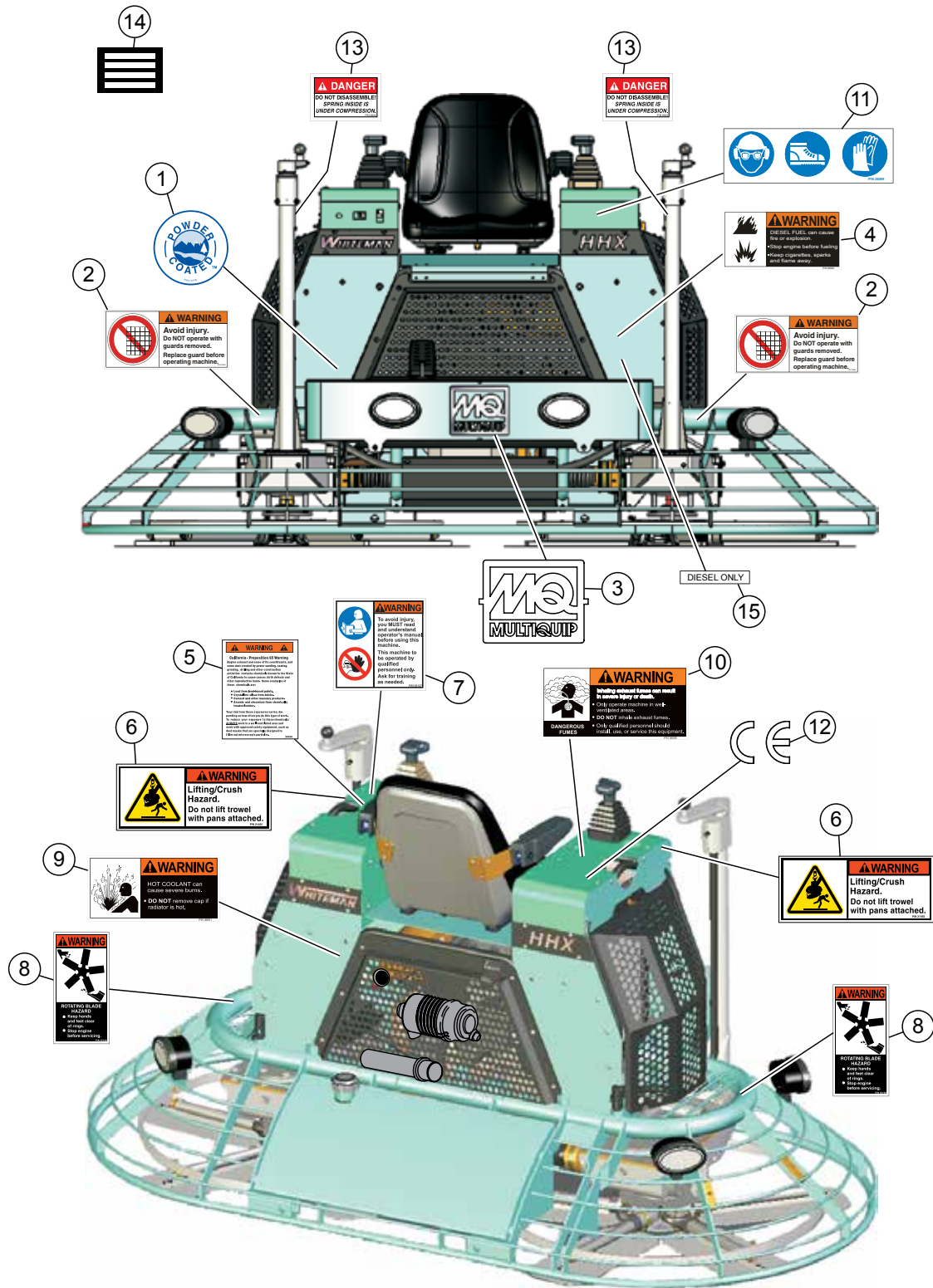
1 to 3 units

| Qty. | P/N | Description |
|------|-----------|--|
| 3 | 23284-100 | FUSE, 10 AMP ATC/ATO |
| 3 | 23284-300 | FUSE, 30 AMP ATC/ATO |
| 1 | 12017 | RELAY,KILL # HELLA # 87411B |
| 1 | 406000 | ROCKER, LIGHT SWITCH, ON-OFF |
| 1 | 20165 | PALM HANDLE KIT, L/R HANDLES W/O BOOT |
| 2 | 12548 | PUMP, SPRAY, SHURFLO 100-000-21 |
| 1 | 1714 | CABLE ASSY, 43.75 |
| 3 | 22347 | LIGHT, HELLA 50W BOTTOM MOUNT #996361617 |
| 1 | 23152 | CABLE, THROTTLE |
| 2 | 2829 | ARM, TROWEL HD EXTENDED |
| 6 | 11039 | BUSHING, TROWEL LARGE ARM |
| 3 | 9111 | SPRING, LS H ARM RETURN STD BOSS |
| 3 | 2143 | SPRING, RS H ARM RETURN STD BOSS |
| 1 | 21208 | SPIDER KIT, 5BLD HHN SERVICE KIT |
| 2 | 20938 | THRUST ASM, SERVICE HTH, HHN, HTO TROWELS |
| 1 | 23262 | CYLINDER, HYDRAULIC STEERING ASSY |
| 1 | 23275-02 | ELEMENT, 10 MICRON FILTER |
| 2 | 820314 | OIL FILTER |
| 2 | 23014-12 | FUEL FILTER |
| 2 | M113621 | AIR CLEANER ELEMENT |
| 1 | 22408 | GAUGE, MULTI |
| 2 | 821075 | V-BELT, ENGINE |
| 2 | 20138 | BELT, CVT CLUTCH COMET #302609 DF |
| 2 | 23365 | BELT, CVT MULTI-CLUTCH |
| 1 | 10958 | SWITCH, IGNITION, HONDA/VANGUARD TWINS, W/KEYS |
| 1 | 821135 | SWITCH, OIL PRESSURE |
| 1 | 23014-03 | SWITCH, WATER TEMPERATURE |
| 1 | 825064 | THERMOSTAT |
| 1 | 23312 | HOSE, RADIATOR, UPPER |
| 1 | 825133 | HOSE, RADIATOR, LOWER |

NOTICE

Part numbers on this Suggested Spare Parts list may supersede/replace the part numbers shown in the following parts lists.

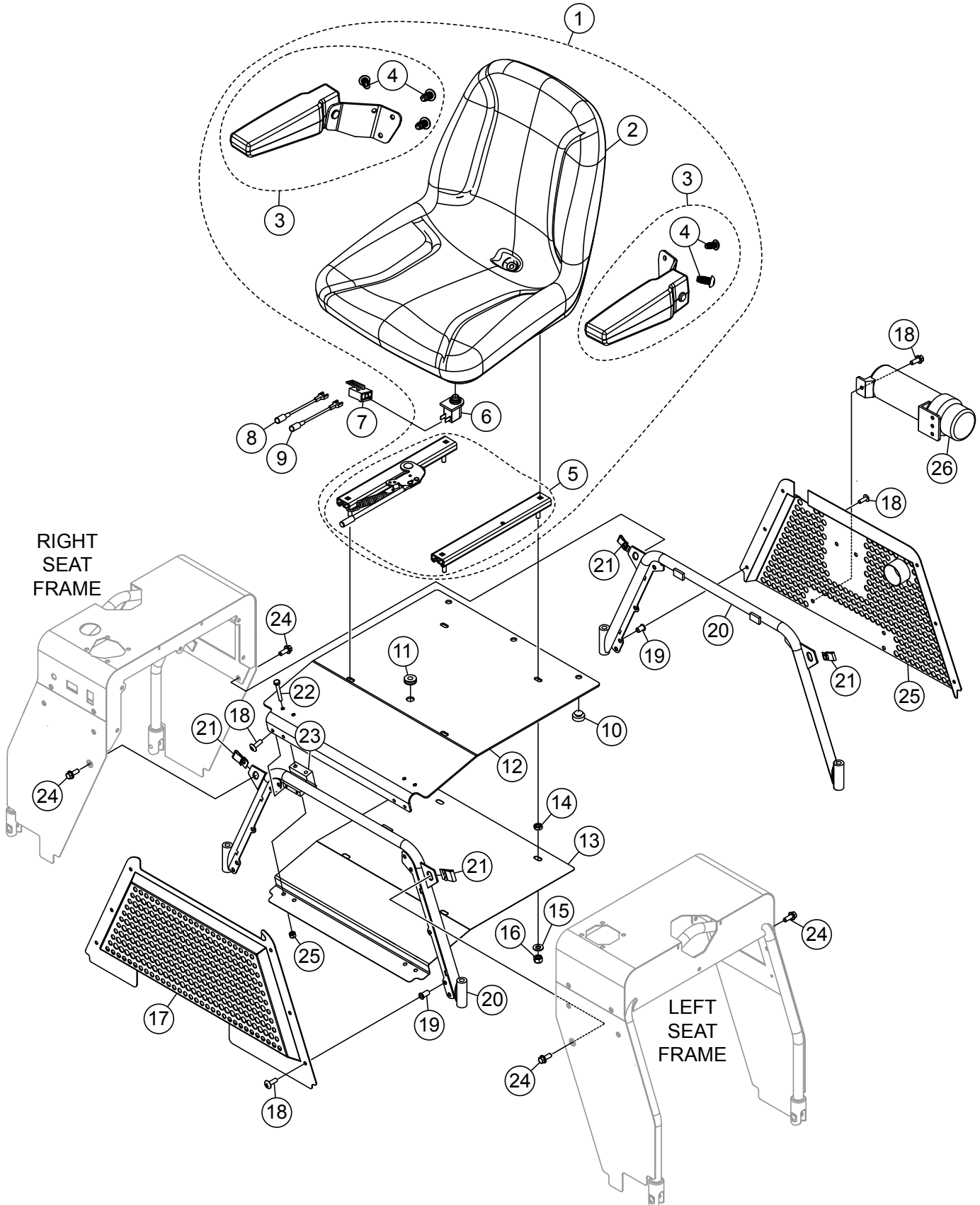
NAMEPLATE AND DECALS



NAMEPLATE AND DECALS

| <u>NO.</u> | <u>PART NO.</u> | <u>PART NAME</u> | <u>QTY.</u> | <u>REMARKS</u> |
|------------|-----------------|--|-------------|-------------------------|
| 1 | 13118 | DECAL, POWDER COATED | 1 | |
| 2 | 21665 | DECAL, REPLACE GUARDS 2.38" x 5.0" | 2 | |
| 3 | 23235 | BADGE, FOOT PLATFORM, HHX | 1 | |
| 4 | 36092 | DECAL, DIESEL FUEL 3.5 X 1.75 | 1 | |
| 5 | 20525 | DECAL, WARNING, PROP 65 | 1 | |
| 6 | 21455 | DECAL, LIFTING CRUSH HAZARD PANS | 2 | |
| 7 | 35137 | DECAL, READ MANUAL ASK FR TRAINING 2.75" | 1 | |
| 8 | 35168 | DECAL, ROTATING BLADE HAZARD 2.0 x 4.3 | 2 | |
| 9 | 36091 | DECAL, HOT COOLANT 3.5 X 1.75 WRSDPU | 1 | |
| 10 | 36090 | DECAL, VENTILATION 2x4 | 1 | |
| 11 | 36099 | DECAL, PROTECTIVE CLOTHING | 1 | |
| 12 | 11092 | DECAL, "CE" | 1 | |
| 13 | 2634 | DECAL, SPRING SAFETY | 2 | |
| 14 | | DECAL, SERIAL PLATE..... | 1 |CONTACT UNIT SALES |
| 15 | 29157 | DECAL, DIESEL ONLY, WHITE, MLT | 1 | |

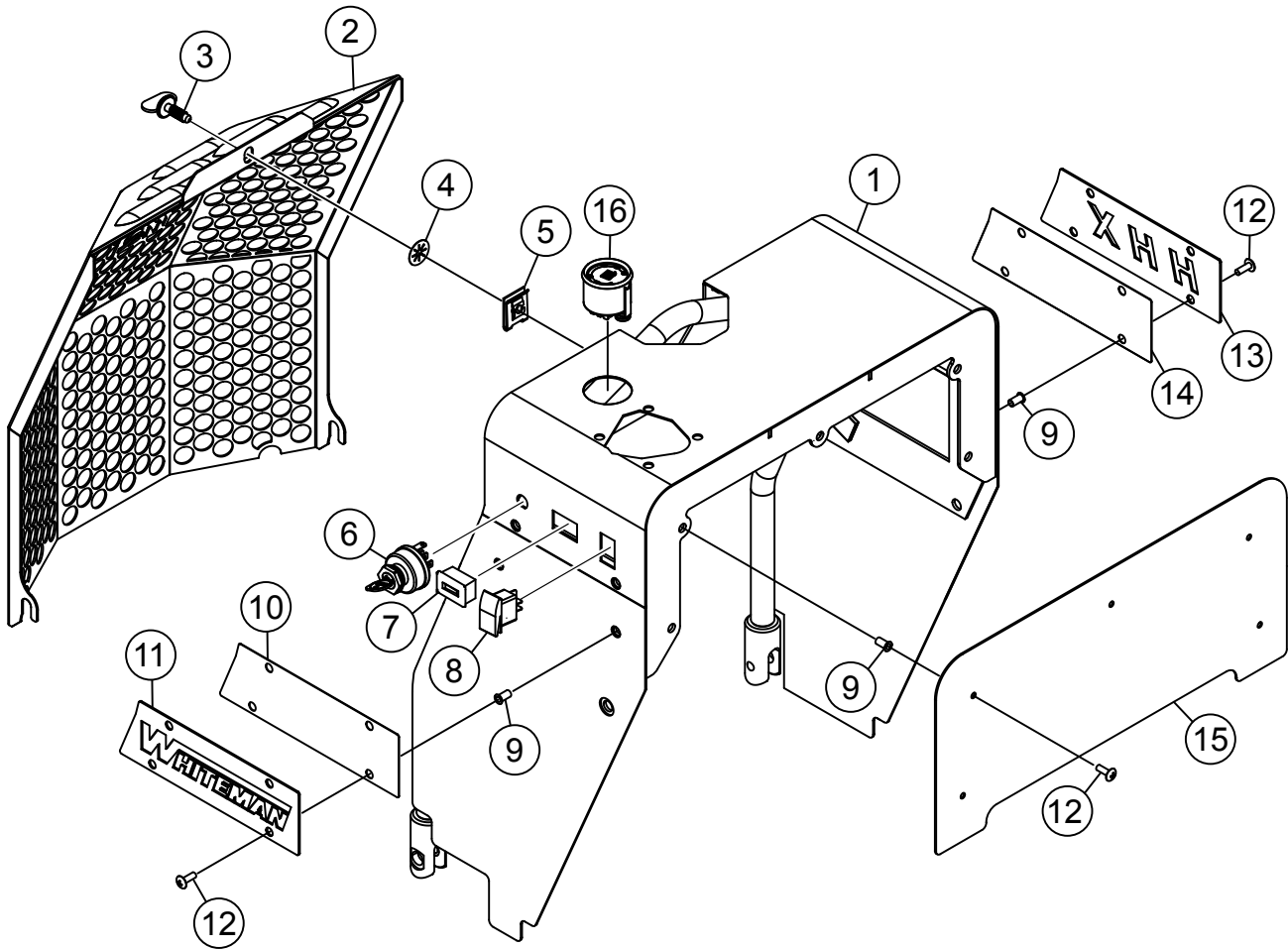
SEAT FRAME ASSY.



SEAT FRAME ASSY.

| <u>NO.</u> | <u>PART NO.</u> | <u>PART NAME</u> | <u>QTY.</u> | <u>REMARKS</u> |
|------------|-----------------|--|-------------|--------------------|
| 1 | 21852 | SEAT, MICHIGAN ADJUSTABLE W/ ARMS | 1..... | INCLUDES ITEMS W/@ |
| 2@ | 21860 | SEAT, MICHIGAN, BASIC | 1 | |
| 3@ | 21868 | ARM REST KIT, MICHIGAN V-2805 SEAT | 2..... | INCLUDES ITEMS W/% |
| 4@% | 21869 | SCREW, CAP 5/16-18 X 5/8" | 6 | |
| 5@ | 21865 | SEAT ADJUSTER KIT, MICHIGAN V-2805 SEAT | 1 | |
| 6@ | 32980 | SWITCH, KILL, DELTA SYSTEMS 6440-62 | 1 | |
| 7 | 21936 | CONNECTOR BODY, 2 PIN MICHIGAN SEAT | 1 | |
| 8 | 21924 | WIRE ASSY, 16 GA RED X 11" | 1 | |
| 9 | 21923 | WIRE ASSY, 16 GA VIOLET/ORANGE X 12.5" | 1 | |
| 10 | 21597 | BUMPER STEM 1.0" D X .5 X .31 | 3 | |
| 11 | 19468 | GROMMET, MINOR-PNZ 4004 | 1 | |
| 12 | 23080 | PLATE, OPERATOR SEAT | 1 | |
| 13 | 23281 | SHIELD, SEAT PLATE | 1 | |
| 14 | 0106 | NUT, HEX JAM 5/16-18 | 4 | |
| 15 | 0300 B | WASHER, FLAT SAE 5/16 | 4 | |
| 16 | 5283 | NUT, NYLOC 5/16-18 | 4 | |
| 17 | 23204 | PANEL, FRONT | 1 | |
| 18 | 12287 | SCREW, THP 1/4-20 X 3/4 SS | 19 | |
| 19 | 19266 | NUT, BLIND 1/4-20 X 10GA | 12 | |
| 20 | 23047 | SUBFRAME, INNER SEAT | 2 | |
| 21 | 23296 | NUT, 3/8-16 J-TYPE RETAINER | 4 | |
| 22 | 20909 | SCREW, HHC 1/4-20 X 2 | 4 | |
| 23 | 20685 | BLOCK, OPERATOR SEAT PIVOT | 2 | |
| 24 | 22228 | SCREW, HHF 3/8-16 X 1 GRD 8 | 4 | |
| 25 | 23126 | PANEL, REAR ENGINE | 1 | |
| 26 | 23297 | MANUAL HOLDER, PICTOGRAPH SAE J232 | 1 | |

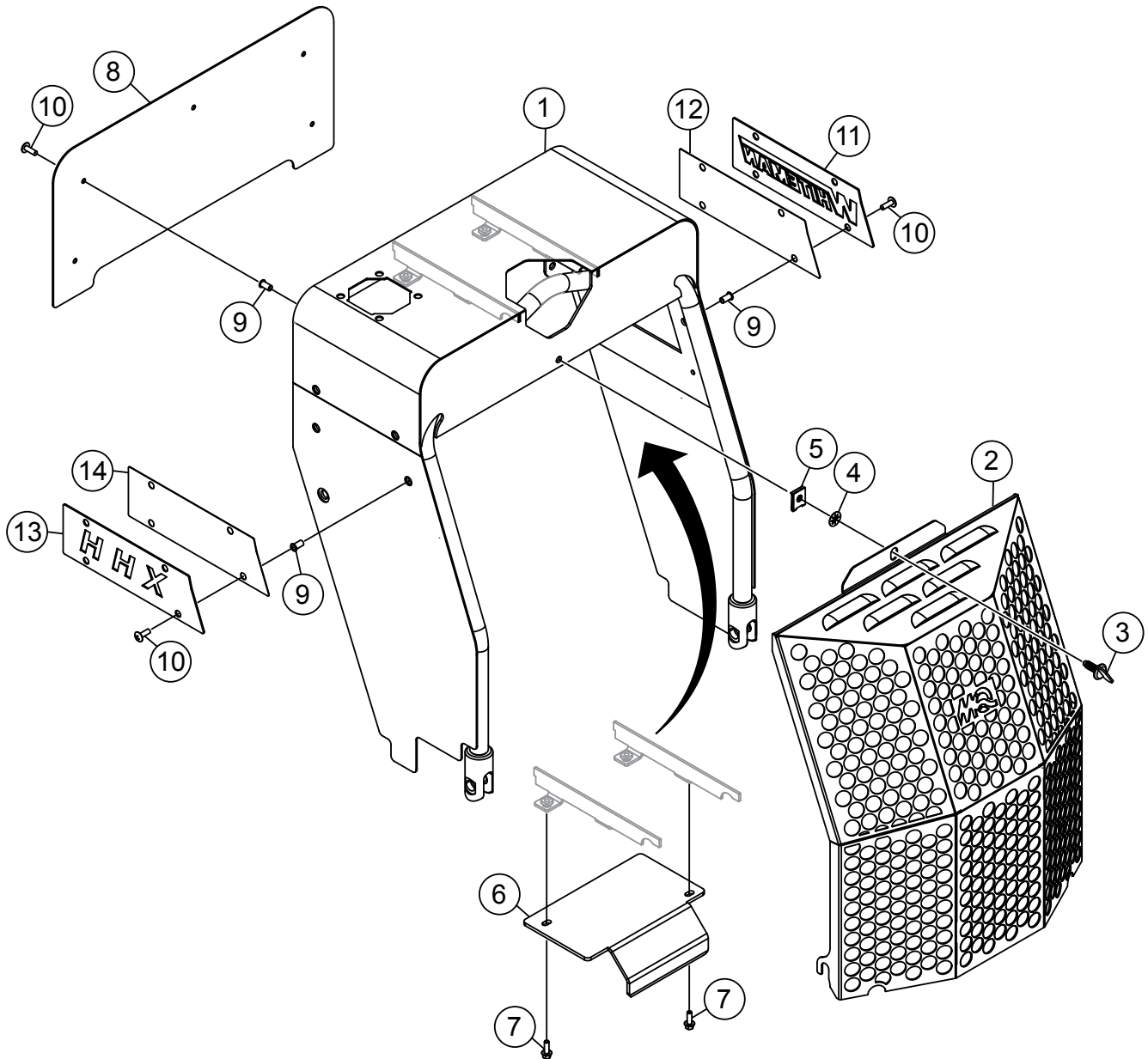
SEAT FRAME ASSY. (RIGHT)



SEAT FRAME ASSY. (RIGHT)

| <u>NO.</u> | <u>PART NO.</u> | <u>PART NAME</u> | <u>QTY.</u> | <u>REMARKS</u> |
|------------|-----------------|--|-------------|----------------|
| 1 | 23020 | FRAME, SEAT, RIGHT | 1 | |
| 2 | 23146 | GUARD, GRILL | 1 | |
| 3 | 21893 | SCREW, FAST LEAD | 1 | |
| 4 | 21986 | WASHER,FAST LEAD- STAINLESS-SOUTHCO 17-6-1 | 1 | |
| 5 | 21894 | CLIP, FAST LEAD-SOUTHCO 17-10027-17 | 1 | |
| 6 | 10958 | SWITCH, IGN, HON/VAN TWINS, W/KEYS | 1 | |
| 7 | 29640 | HR METER, SENDEC RECT FLUS MT | 1 | |
| 8 | 406000 | ROCKER, LIGHT SWITCH, ON-OFF | 1 | |
| 9 | 19266 | NUT, BLIND 1/4-20 X 10GA | 13 | |
| 10 | 23286 | PANEL, TRIM BACKING B | 1 | |
| 11 | 23175 | PANEL, SIDE TRIM "WHITEMAN" | 1 | |
| 12 | 12287 | SCREW, THP 1/4-20 X 3/4 SS | 13 | |
| 13 | 23132 | PANEL, SIDE TRIM "HHX" | 1 | |
| 14 | 23285 | PANEL, TRIM BACKING A | 1 | |
| 15 | 23130 | PANEL, SIDE FRAME INTERIOR | 1 | |
| 16 | 22408 | GAUGE, MULTI | 1 | |

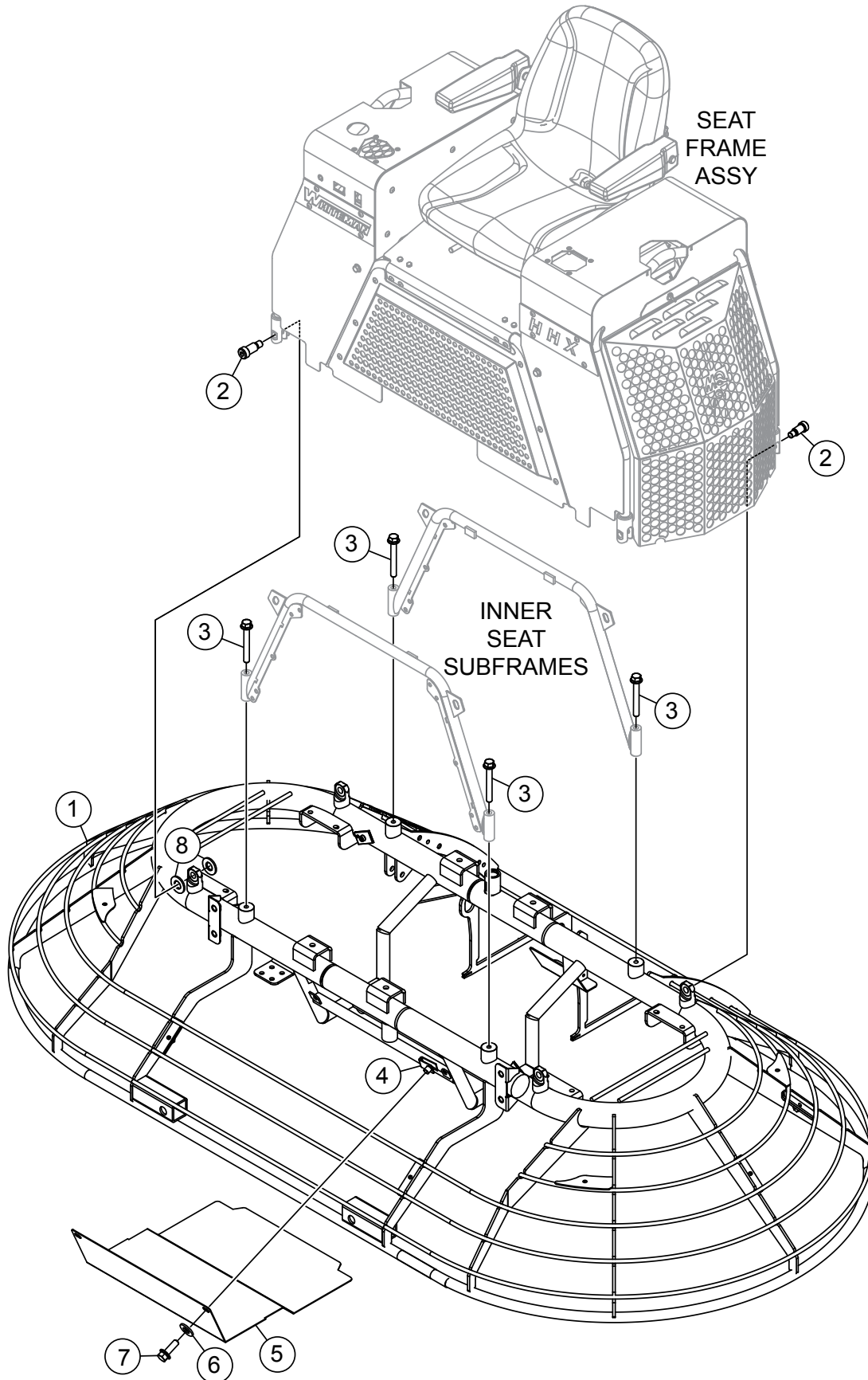
SEAT FRAME ASSY. (LEFT)



SEAT FRAME ASSY. (LEFT)

| <u>NO.</u> | <u>PART NO.</u> | <u>PART NAME</u> | <u>QTY.</u> | <u>REMARKS</u> |
|------------|-----------------|--|-------------|----------------|
| 1 | 23176 | FRAME, SEAT LEFT | 1 | |
| 2 | 23146 | GUARD, GRILL | 1 | |
| 3 | 21893 | SCREW, FAST LEAD | 1 | |
| 4 | 21986 | WASHER,FAST LEAD- STAINLESS-SOUTHCO 17-6-1 | 1 | |
| 5 | 21894 | CLIP, FAST LEAD-SOUTHCO 17-10027-17 | 1 | |
| 6 | 23117 | PLATE, LT HOOK GUARD | 1 | |
| 7 | 49048 | SCREW, HHFS 1/4-20 X 3/4 GR5 | 2 | |
| 8 | 23130 | PANEL, SIDE FRAME INTERIOR | 1 | |
| 9 | 19266 | NUT, BLIND 1/4-20 X 10GA | 13 | |
| 10 | 12287 | SCREW, THP 1/4-20 X 3/4 SS | 13 | |
| 11 | 23175 | PANEL, SIDE TRIM "WHITEMAN" | 1 | |
| 12 | 23286 | PANEL, TRIM BACKING B | 1 | |
| 13 | 23132 | PANEL, SIDE TRIM "HHX" | 1 | |
| 14 | 23285 | PANEL, TRIM BACKING A | 1 | |

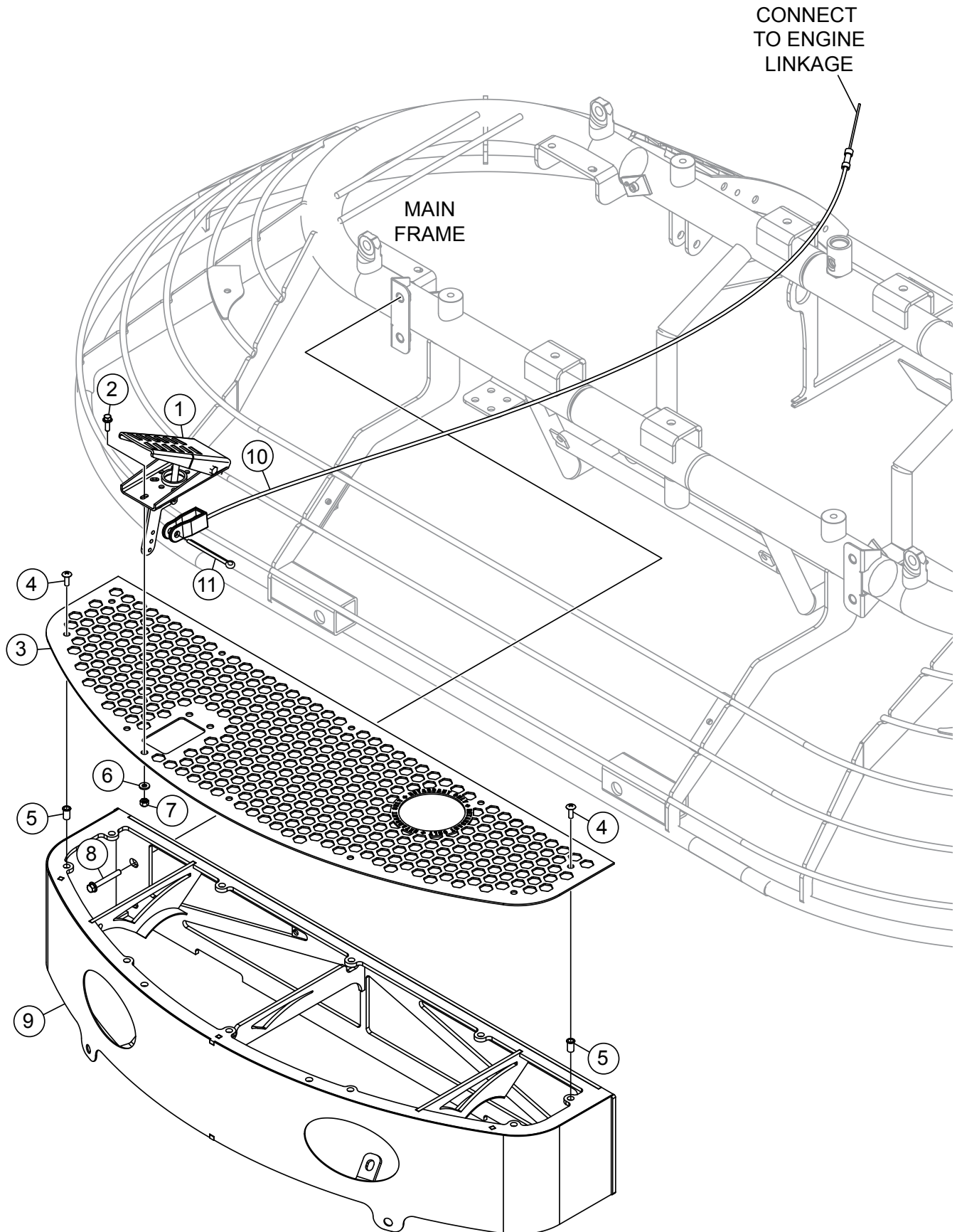
FRAME ASSY.



FRAME ASSY.

| <u>NO.</u> | <u>PART NO.</u> | <u>PART NAME</u> | <u>QTY.</u> | <u>REMARKS</u> |
|------------|-----------------|---|-------------|----------------|
| 1 | 23000 | FRAME, MAIN | 1 | |
| 2 | 9162 | SCREW, SHOULDER M16XM25 M12-1.75 | 4 | |
| 3 | 23288 | SCREW, HHF M12-1.75 X 100 W/PATCH CL8.8 | 4 | |
| 4 | 11534 | NUT, "U" TYPE, 1/4-20 | 2 | |
| 5 | 23253 | GUARD, BELT SPLASH HHX | 1 | |
| 6 | 3233 | WASHER, FENDER, 1.50D X 3/8ID | 2 | |
| 7 | 49048 | SCREW, HHFS 1/4-20 x 3/4 GR5 | 2 | |
| 8 | 23303 | BUSHING, SEAT FRAME | 8 | |

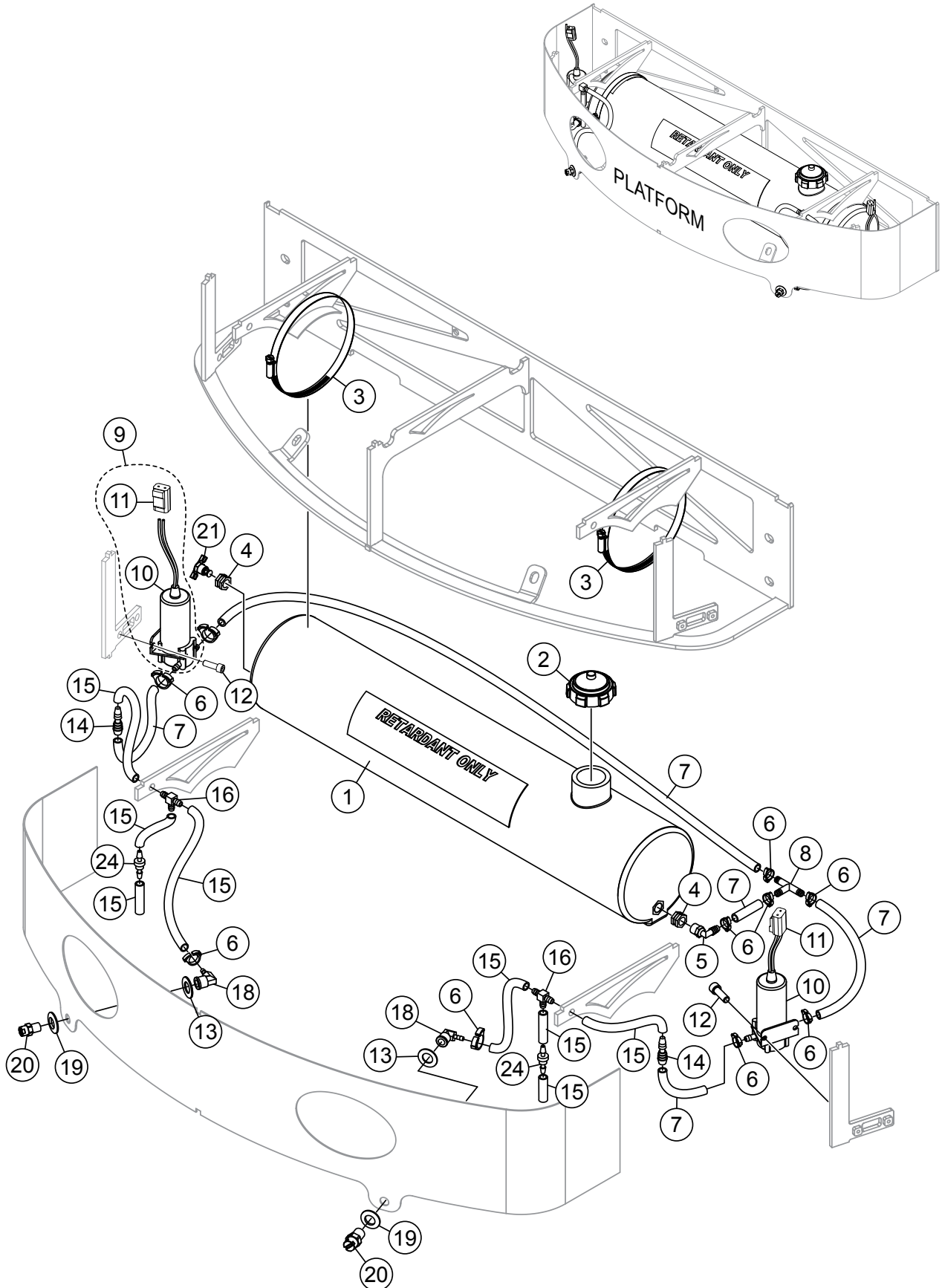
PLATFORM ASSY.



PLATFORM ASSY.

| <u>NO.</u> | <u>PART NO.</u> | <u>PART NAME</u> | <u>QTY.</u> | <u>REMARKS</u> |
|------------|-----------------|--------------------------------------|-------------|--------------------|
| 1 | 20694 | PEDAL, HYDRAULIC PUMP | 1 | |
| 2 | 49048 | SCREW, HHFS 1/4-20 X 3/4 GR5 | 3 | |
| 3 | 23069 | PLATE, FOOT PLATFORM TOP | 1 | |
| 4 | 12287 | SCREW, THP 1/4-20 X 3/4 SS | 10 | |
| 5 | 29452 | NUT, BLIND 1/4-20 X 3/16 ITR25-260SD | 10 | |
| 6 | 0948 | WASHER, FLAT SAE 1/4 | 3 | |
| 7 | 10024 | NUT, NYLOC 1/4-20 | 3 | |
| 8 | 23305 | SCREW, HHF M12-1.75 X 30 8.8 PATCH | 4 | |
| 9 | 23058 | PLATFORM, FOOT | 1 | |
| 10 | 23152 | CABLE, THROTTLE..... | 1..... | INCLUDES ITEMS W/@ |
| 11@ | | PIN, COTTER | 1 | |

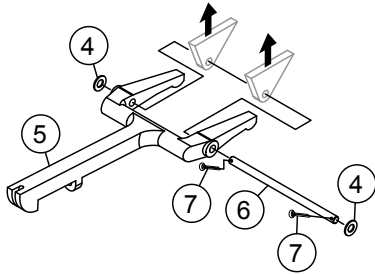
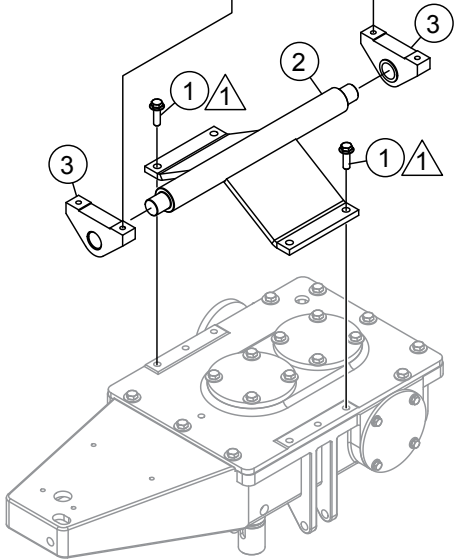
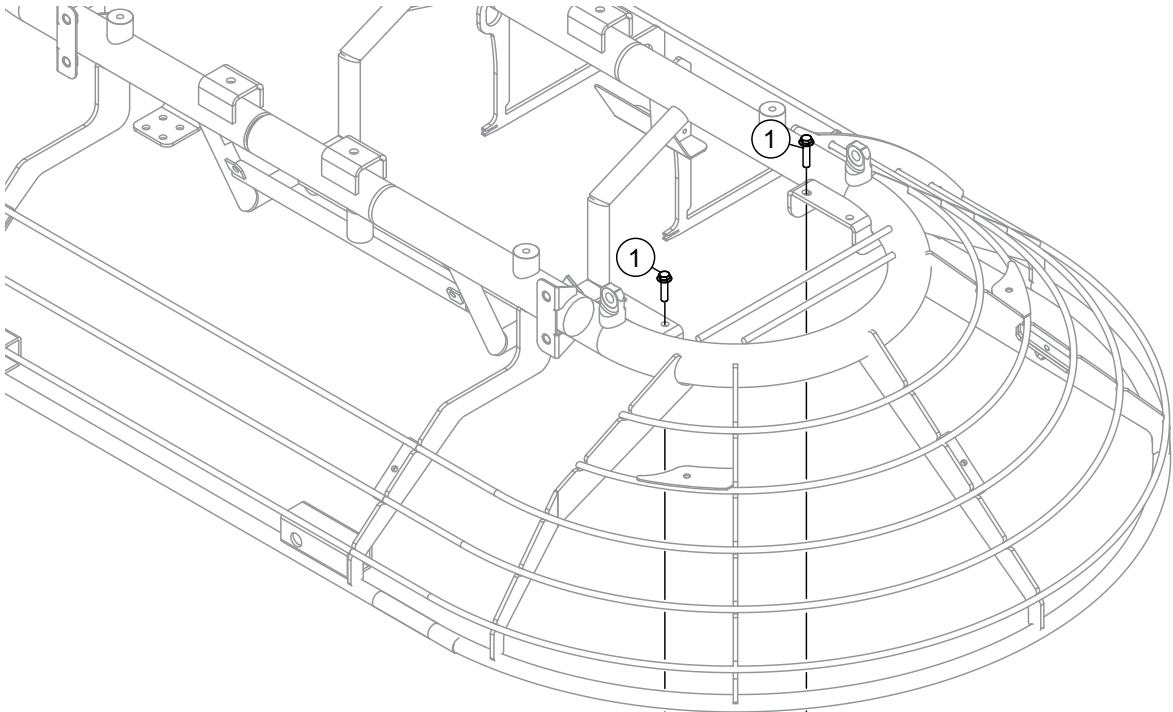
SPRAY ASSY.



SPRAY ASSY.

| <u>NO.</u> | <u>PART NO.</u> | <u>PART NAME</u> | <u>QTY.</u> | <u>REMARKS</u> |
|------------|-----------------|---|-------------|--------------------|
| 1 | 2916 | TANK, WATER, NPT BOSSES | 1 | |
| 2 | 29509 | CAP, FUEL TANK 2.25 DIA, ONE WAY VALVE | 1 | |
| 3 | 2398 | CLAMP, HOSE WORM #96 4.75" TO 6.50" | 2 | |
| 4 | A9312 | FITTING, DRAIN COCK, 1/4" NPT | 2 | |
| 5 | 2925 | FITTING, PLASTIC 90 6BARB - 3/8MP | 1 | |
| 6 | 2918 | CLAMP, HOSE PLASTIC .475 DIA - .536 DIA | 10 | |
| 7 | 60002 | HOSE, PVC CLEAR .375 ID | 5 | SOLD BY FOOT |
| 8 | 23307 | TEE, 3/8 BARB PLASTIC | 1 | |
| 9 | 23434 | PUMP, SPRAY W/CONNECTOR | 2 | INCLUDES ITEMS W/@ |
| 10@ | 12548 | PUMP, SPRAY, SHURFLO 100-000-21 | 2 | |
| 11@ | 37402 | CONNECTOR KIT, DEUTSCH DT2 LOFA (F) | 2 | |
| 12 | 923203 | SCREW, SHC 1/4-20 X 3/4 | 4 | |
| 13 | 0447 | WASHER, FLAT 1/2 SAE | 2 | |
| 14 | 10022 | FITTING, PLASTIC 6BARB-4BARB | 2 | |
| 15 | 60001 | HOSE, PVC CLEAR .250 ID | 8 | SOLD BY FOOT |
| 16 | 23122 | TEE, 1/4 BARB PLASTIC | 2 | |
| 18 | 2912 | FITTING, BRASS 90 4BARB-1/4FP | 2 | |
| 19 | 2898 | WASHER, BONDED NEOPRENE 1" X 1/2" | 2 | |
| 20 | 392292 | NOZZLE, SPRAY | 2 | |
| 21 | 2478 | FITTING, PETCOCK RAD DRAIN 1/4MP | 1 | |
| 24 | 23076 | CHECK VALVE, DUCKBILL 3/16 | 2 | |

PIVOT ASSY. (LEFT)



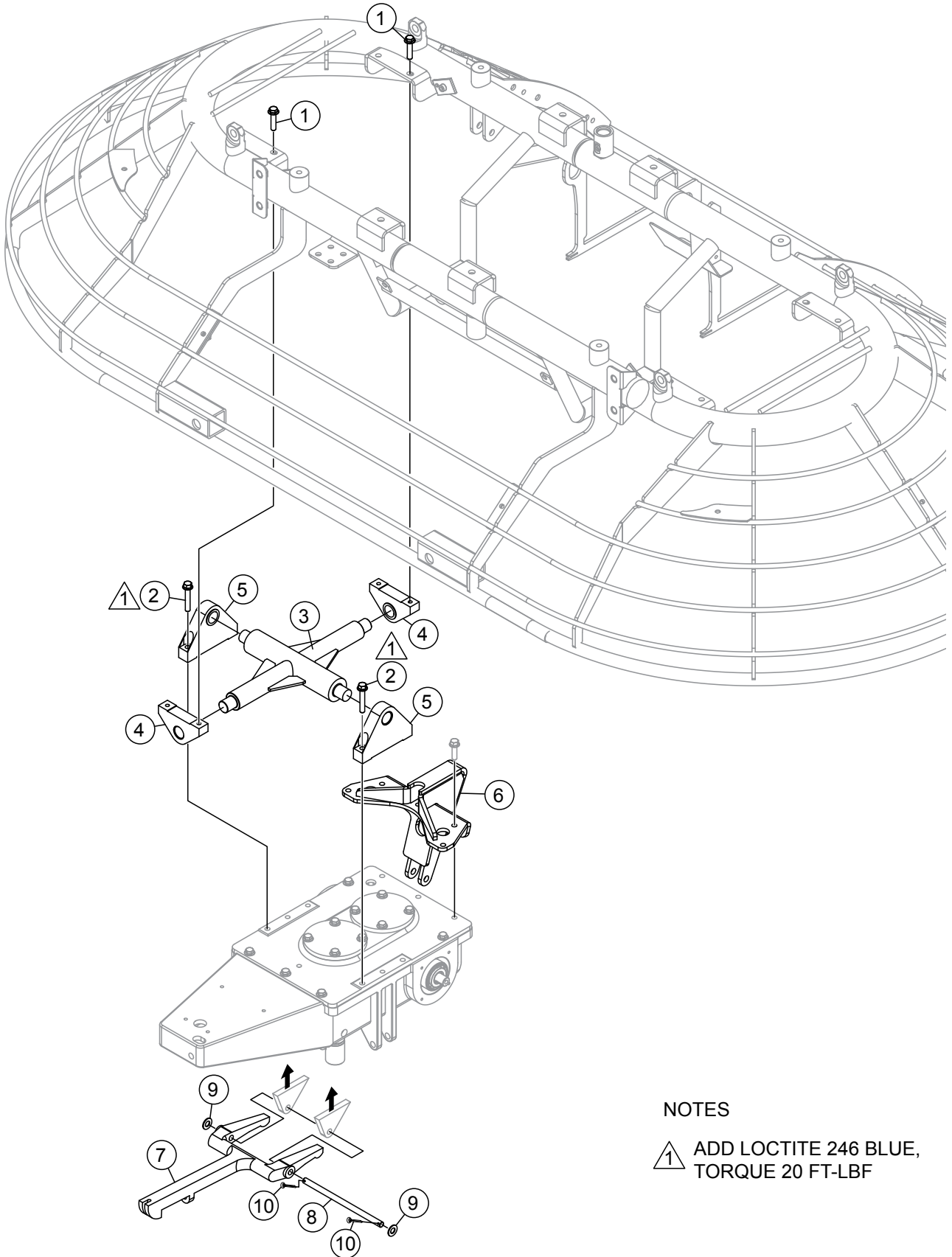
NOTES

1 ADD LOCTITE 246 BLUE,
TORQUE 20 FT-LBF

PIVOT ASSY. (LEFT)

| <u>NO.</u> | <u>PART NO.</u> | <u>PART NAME</u> | <u>QTY.</u> | <u>REMARKS</u> |
|------------|-----------------|--|-------------|----------------|
| 1 | 22106 | SCREW, HHFS 3/8-16 X 1.25 ZINC | 8 | |
| 2 | 23088 | PIVOT, GEAR BOX | 1 | |
| 3 | 11555 | PIVOT BLOCK ASM, MOTOR MOUNT W/BUSHING | 2 | |
| 4 | 0448 | WASHER, FLAT SAE 7/16 | 2 | |
| 5 | 11499 | YOKE ARM, PITCH | 1 | |
| 6 | 11648 | SHAFT, YOKE PIVOT | 1 | |
| 7 | 0183 | PIN, COTTER 1/8D X 1-1/4 | 2 | |

PIVOT ASSY. (RIGHT)



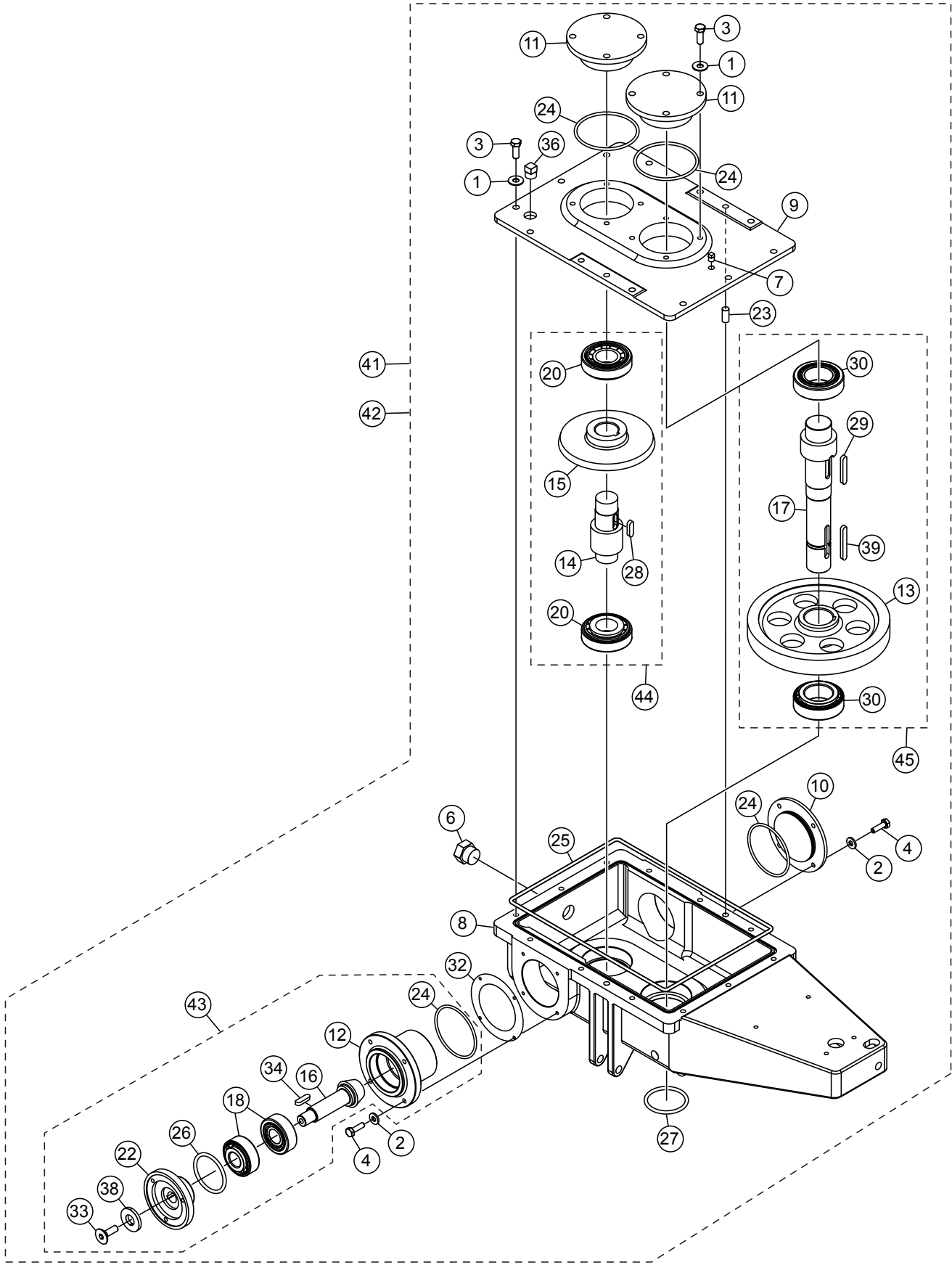
NOTES

- 1 ADD LOCTITE 246 BLUE,
TORQUE 20 FT-LBF

PIVOT ASSY. (RIGHT)

| <u>NO.</u> | <u>PART NO.</u> | <u>PART NAME</u> | <u>QTY.</u> | <u>REMARKS</u> |
|-------------------|------------------------|--|--------------------|-----------------------|
| 1 | 22106 | SCREW, HHFS 3/8-16 X 1.25 ZINC | 4 | |
| 2 | 9167 | SCREW, HHFS 3/8-16 X 2.25 | 4 | |
| 3 | 23090 | TRUNNION, GEARBOX | 1 | |
| 4 | 11555 | PIVOT BLOCK ASM, MOTOR MOUNT W/BUSHING | 2 | |
| 5 | 12713 | ROCKER BLOCK ASY, GEARBOX 1.00 DIA | 2 | |
| 6 | 23093 | BRACKET, GEAR BOX STEERING SUPPORT | 1 | |
| 7 | 11499 | YOKE ARM, PITCH | 1 | |
| 8 | 11648 | SHAFT, YOKE PIVOT | 1 | |
| 9 | 0448 | WASHER, FLAT SAE 7/16 | 2 | |
| 10 | 0183 | PIN, COTTER 1/8D X 1-1/4 | 2 | |

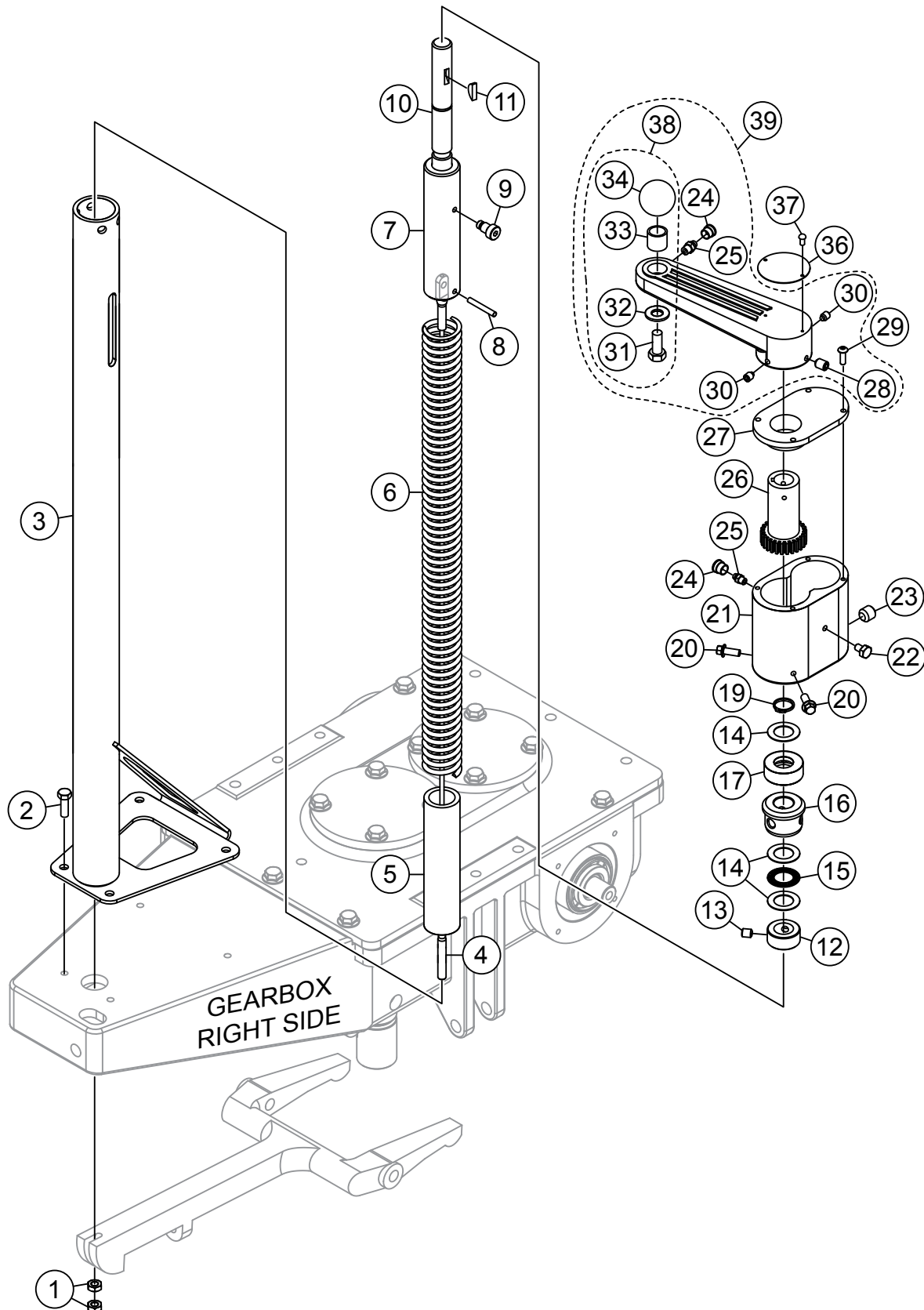
GEAR BOX ASSY.



GEAR BOX ASSY.

| <u>NO.</u> | <u>PART NO.</u> | <u>PART NAME</u> | <u>QTY.</u> | <u>REMARKS</u> |
|------------|-----------------|--------------------------------------|-------------|---------------------|
| 1\$ | 10136 | WASHER, FLAT SAE 3/8 | 16 | |
| 2\$ | 0948 | WASHER, FLAT SAE 1/4 | 8 | |
| 3\$ | 0205 | SCREW, HHC 3/8-16 X 1 | 16 | |
| 4\$ | 2295 | SCREW, HHC 1/4-20 X 7/8 | 8 | |
| 6\$ | 11584 | SIGHT GLASS | 1 | |
| 7\$ | 11682 | FITTING, PLUG, 1/8 MP SQ HEAD | 1 | |
| 8\$ | 21812 | GEARBOX HOUSING | 1 | |
| 9\$ | 21811 | COVER, GEAR BOX | 1 | |
| 10\$ | 21813 | CAP, HELICAL GEARBOX INPUT | 1 | |
| 11\$ | 21810 | CAP, HELICAL GEARBOX IDLER | 2 | |
| 12\$% | | HUB, HELICAL INPUT SHAFT | 1..... | MUST PURCHASE KIT |
| 13\$+ | | GEAR, 85T HELICAL..... | 1..... | MUST PURCHASE KIT |
| 14\$@ | | PINION 17T, HELICAL..... | 1..... | MUST PURCHASE KIT |
| 15\$@ | | GEAR, SPIRAL BEVEL 60T 6.00PD | 1..... | MUST PURCHASE KIT |
| 16\$% | | PINION, 15T SPIRAL BEVEL | 1..... | MUST PURCHASE KIT |
| 17\$+ | | SHAFT, OUTPUT | 1..... | MUST PURCHASE KIT |
| 18\$% | 21803 | BEARING, TAPERED ROLLER SET | 2 | |
| 20\$@ | 21802 | BEARING, TAPERED ROLLER SET | 2 | |
| 22\$% | | COUPLER, GEARBOX..... | 1..... | MUST PURCHASE KIT |
| 23\$ | 12697 | PIN, DOWEL 0.375/.3752 X 3/4 | 2 | |
| 24\$% | 12698 | O RING | 4 | |
| 25\$ | 12700 | SEAL, CASE O-RING HHN 0.103 X 46. 38 | 1 | |
| 26\$% | 12701 | SEAL | 1 | |
| 27\$ | 12702 | SEAL | 1 | |
| 28\$@ | 12735 | KEY, 3/8 X 3/4 | 1 | |
| 29\$+ | 12736 | KEY, HARDENED 3/8 X 1-1/2 | 1 | |
| 30\$+ | 21801 | BEARING, TAPERED ROLLER SET | 2 | |
| 32\$ | 21800 | SHIM, INPUT. 0.002 THICK | 3 | |
| 33\$% | 1313 | SCREW, FHSC 3/8 - 24 X 3/4 PLAIN | 1 | |
| 34\$% | 26034 | KEY, 3/16 X 17/32 | 1 | |
| 36\$ | 911064 | FITTING, PLUG 1/2 MP SQ HEAD | 1 | |
| 37\$ | 911329 | FITTING, PLUG 3/8 MP MAGNETIC | 2 | |
| 38\$% | 9120 | RETAINER, DRIVEN PULLEY | 1 | |
| 39\$+ | 12687 | KEY, 3/8 SQ X 2 | 1 | |
| 41 | 32214 | GEARBOX ASSY., RIGHT | 1..... | INCLUDES ITEMS W/\$ |
| 42 | 32213 | GEARBOX ASSY., LEFT | 1..... | INCLUDES ITEMS W/\$ |
| 43\$ | 21853854INPUT | KIT, INPUT PINION/HUB/COUPLER..... | 1..... | INCLUDES ITEMS W/% |
| 44\$ | 21853854INTER | KIT, INTER PINION/GEAR | 1..... | INCLUDES ITEMS W/@ |
| 45\$ | 21853854OUTER | KIT, OUTPUT SHAFT/GEAR..... | 1..... | INCLUDES ITEMS W/+ |

PITCH CONTROL TOWER ASSY.



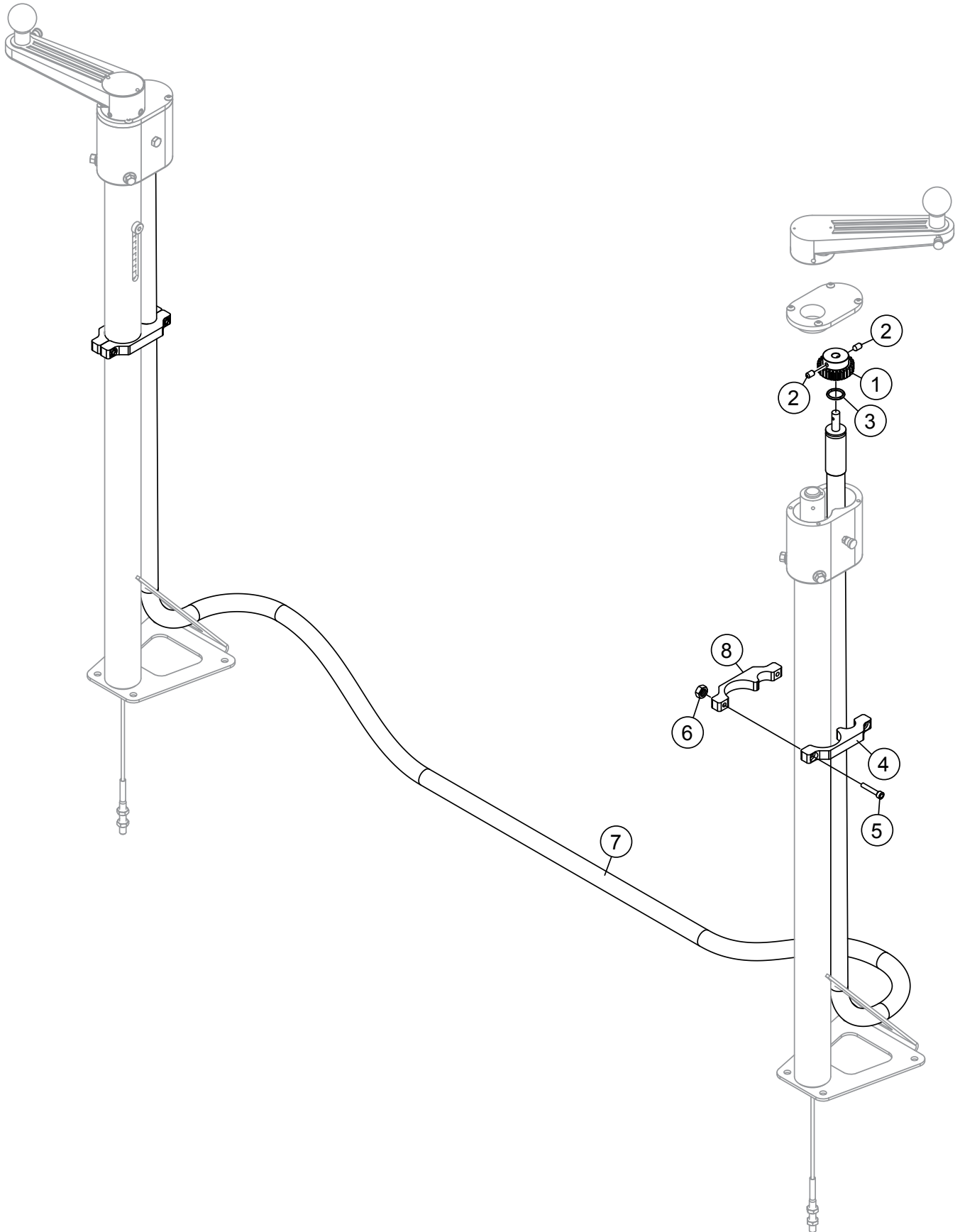
PITCH CONTROL TOWER ASSY.

| NO. | PART NO. | PART NAME | QTY. | REMARKS |
|------|----------|--|------|--------------------|
| 1 | 1116 | NUT, BRASS JAM 5/16-18 | 2 | |
| 2 | 9091 | SCREW, HHFS 5/16-18 X 1 GR5 | 4 | |
| 3 | 23154 | TOWER, PITCH CONTROL..... | 1 | RIGHT SIDE |
| 3 | 23167 | TOWER, PITCH CONTROL..... | 1 | LEFT SIDE |
| 4 | 11623 | CABLE ASSY, 32.38" | 1 | |
| 5 | 11649 | SPACER, PITCH SPRING | 1 | |
| 6 | 2156 | SPRING, HANDLE BALANCE COIL TWN RDR | 1 | |
| 7 | 10721 | SLIDE BLOCK, PITCH CONTROL | 1 | RIGHT SIDE |
| 7 | 10722 | SLIDE BLOCK, PITCH CONTROL | 1 | LEFT SIDE |
| 8 | 10723 | PIN, SPIRAL 3/16 X 1-3/8 HD | 1 | |
| 9 | 10382 | BOLT, SHOULDER, 3/8 X 3/8 | 1 | |
| 10 | 10510 | SHAFT, PITCH CONTROL | 1 | RIGHT SIDE |
| 10 | 10511 | SHAFT, PITCH CONTROL | 1 | LEFT SIDE |
| 11 | 0126 | KEY, WOODRUFF #606 3/16 X 3/4 (#9) | 1 | |
| 12 | 2367 | COLLAR, SET .75 X 1.25 X .56 | 1 | |
| 13 | 925437 | SCREW, SHS, CP 5/16-18 X 3/8 | 2 | |
| 14 | 2170 | BEARING, RACE, TORR. #TRA1220 | 3 | |
| 15 | 2169 | BEARING, THRUST, TORR. #NTA1220 | 1 | |
| 16 | 1612 | BEARING, ALUM., PITCH CONTR. | 1 | |
| 17 | 1604 | BEARING, BALL THRUST E5 AETNA | 1 | |
| 19 | 10512 | RING, SNAP, TRUARC 5160-75 | 1 | |
| 20 | 22021 | SCREW, HHFS M8-1.25 X 20 MM TENSILOK PATCH | 2 | |
| 21 | 23037 | HOUSING, PITCH CONTROL | 1 | |
| 22 | 20476 | SCREW, HHC 1/4-28 X 3/8 | 1 | |
| 23 | 17109 | SCREW, SHSCU M8-1.25 X 8MM | 1 | |
| 24% | 2621 | FITTING, GREASE ZERK STR 1/4-28 | 2 | |
| 25% | 1162 A | CAP, GREASE ZERK, #2 YELLOW | 2 | |
| 26 | 1529 | GEAR, DRIVE PITCH CONTROL | 1 | |
| 27 | 2649 | COVER, PITCH CONTROL HOUSING | 1 | |
| 28% | 0185 | SCREW, SHS 3/8-16 X 3/8, NO PLATE | 1 | |
| 29 | 9191 | SCREW, BHSC M5-0.8 X 16MM | 4 | |
| 30% | 1528 | SCREW, SHS 1/4-20 X 5/16 H.D.P. | 2 | |
| 31@% | 1616 | BOLT, SHOULDER .5 DIA X .469 X 3/8-16 | 1 | |
| 32@% | 1733 | WASHER, 1/2 X 1/32, AN960-816L | 1 | |
| 33@% | 3231 | SPACER, .75 DIA X .406 DIA. X .688 | 1 | |
| 34@% | 4403 | KNOB, ROUND 1-3/8 DIA. X 3/8-16 BLACK | 1 | |
| 36 | 2300 | DECAL, PITCH | 1 | RIGHT SIDE |
| 36 | 2332 | DECAL, PITCH | 1 | LEFT SIDE |
| 37 | 4014 | SCREW, #2, 3/16 P-K TYPE U DRIVE | 2 | |
| 38% | 2737 | KNOB, KIT | 1 | INCLUDES ITEMS W/@ |
| 39 | 1617 | LEVER ASSY., TROWEL ADJUSTMENT | 1 | INCLUDES ITEMS W/% |

NOTICE

Indicated quantities are for one pitch tower. If ordering for two pitch towers, double the quantity.

PITCH CONTROL DRIVE CABLE ASSY.

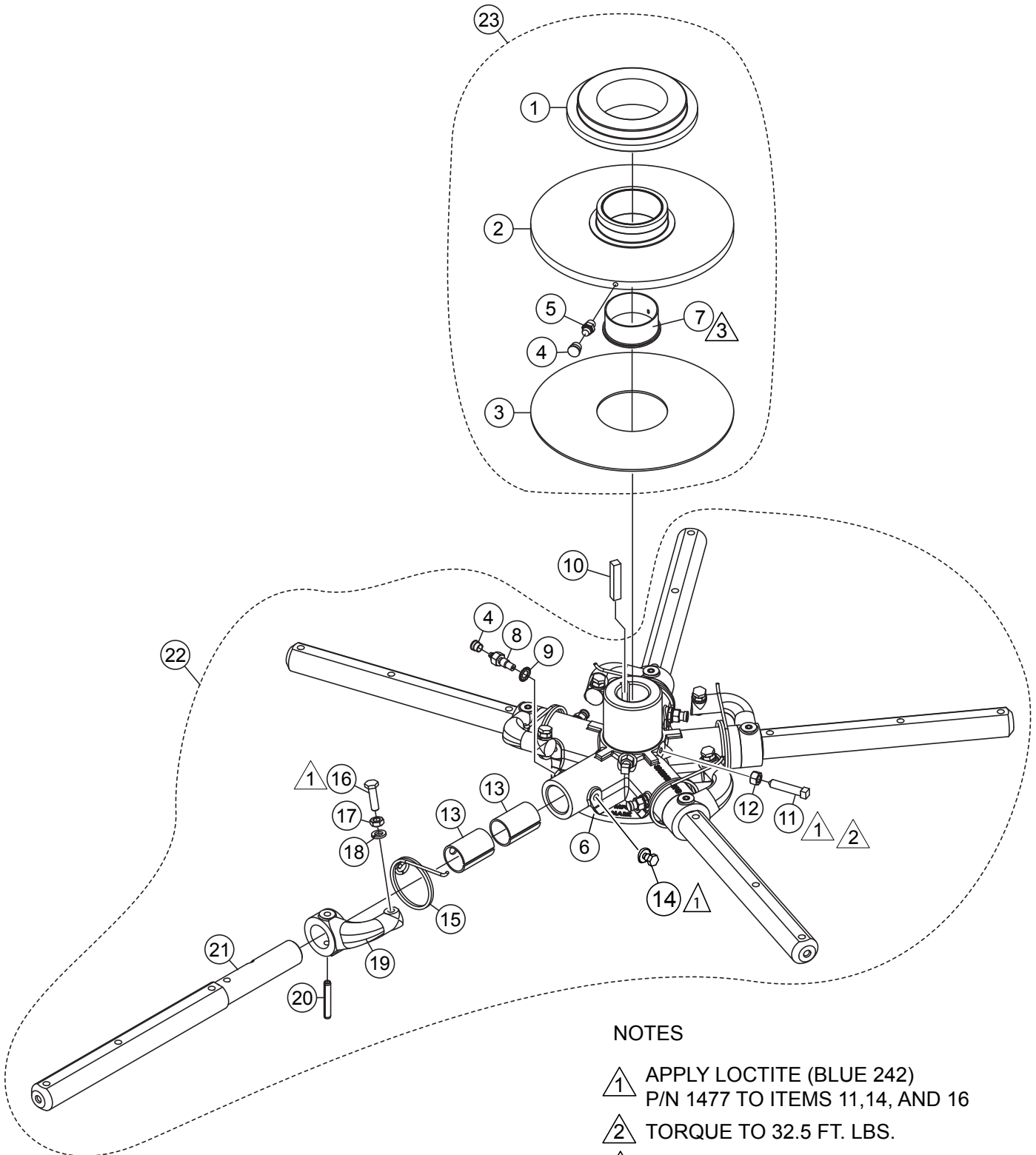


PITCH CONTROL DRIVE CABLE ASSY.

| <u>NO.</u> | <u>PART NO.</u> | <u>PART NAME</u> | <u>QTY.</u> | <u>REMARKS</u> |
|------------|-----------------|--------------------------------------|-------------|----------------------|
| 1 | 23036 | GEAR, PITCH CONTROL | 2 | |
| 2 | 9195 | SCREW, SHS M5-0.8 X 10 CONE PT PATCH | 4 | |
| 3 | 9196 | O-RING, SIZE 2-118 BUNA-N 70 | 2 | |
| 4 | 23295 | CLAMP, PITCH CABLE..... | 4..... | APRIL 2011 AND BELOW |
| 4 | 23295 | CLAMP, PITCH CABLE..... | 2..... | MAY 2011 AND ABOVE |
| 5 | 37325 | SCREW, SHC M5-0.8 X 30MM | 4 | |
| 6 | 940150 | NUT, HEX FULL M5-0.8P | 4..... | APRIL 2011 AND BELOW |
| 7 | 23017 | DRIVE CABLE, PITCH CONTROL | 1 | |
| 8 | 23615 | CLAMP, PITCH CABLE, THREADED | 2..... | MAY 2011 AND ABOVE |

SPIDER ASSY. (LEFT)

LEFT-SIDE SPIDER ASSEMBLY (5-BLADE).
VIEW FROM OPERATORS SEAT.



NOTES

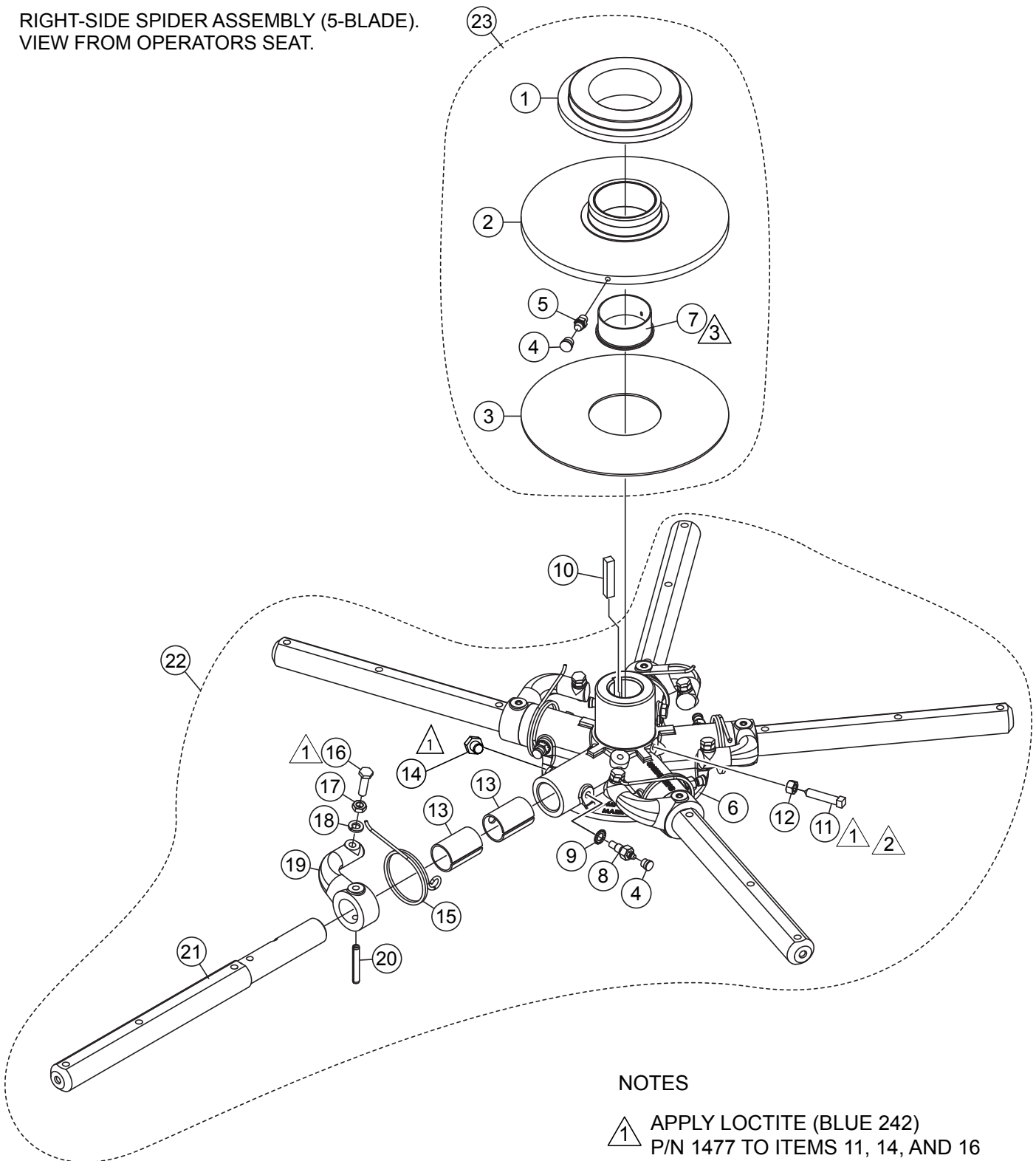
- ▲ 1 APPLY LOCTITE (BLUE 242)
P/N 1477 TO ITEMS 11, 14, AND 16
- ▲ 2 TORQUE TO 32.5 FT. LBS.
- ▲ 3 PART OF ITEM 2 (P/N 11431)

SPIDER ASSY. (LEFT)

| <u>NO.</u> | <u>PART NO.</u> | <u>PART NAME</u> | <u>QTY.</u> | <u>REMARKS</u> |
|------------|-----------------|--|-------------|--------------------|
| 1# | 12779 | BEARING, THRUST 6017-24S W/FLNG | 1 | |
| 2# | 11431 | THRUST COLLAR W/BUSHING | 1 | |
| 3# | 11419 | PLATE, WEAR | 1 | |
| 4# | 1162 A | CAP, GREASE ZERK, #2 YELLOW | 6 | |
| 5# | 2621 | FITTING, GREASE ZERK STR 1/4-28 | 1 | |
| 6# | 12931-1 | SPIDER PLATE, 5BLD L.S.1-1/2" | 1 | |
| 7# | 12316 | BUSHING, THRUST COLLAR W/ HOLE | 1 | |
| 8@ | 1322 | SCREW, ARM RETAINING | 5 | |
| 9@ | 1875 | WASHER, INT. SHKP, 3/8 | 5 | |
| 10 | 12687 | KEY, 3/8 SQ X 2 | 1 | |
| 11@ | 12097 | SCREW, SQHS 3/8-16 X 1-3/4 CONE GRD 8 PT'D | 2 | |
| 12@ | 1456 | NUT, HEX FINISH 3/8-16 | 2 | |
| 13@ | 11039 | BUSHING, TROWEL LARGE ARM | 10 | |
| 14 | 11602 | SCREW, HHC 3/8-16 X 1/4 | 5 | |
| 15@ | 9111 | SPRING, LS H ARM RETURN STD BOSS | 5 | |
| 16@ | 0164 B | SCREW, HHC ROUNDED 3/8-16 SPCL | 5 | |
| 17@ | 1876 | NUT, HEX JAM 3/8-16 CLASS 2B | 5 | |
| 18@ | 0166 A | WASHER, LOCK, 3/8 MED. | 5 | |
| 19@ | 11903-1 | LEVER, TROWEL ARM, LEFT | 5 | |
| 20@ | 9006 | PIN, ROLL 5/16 X 2 NO PLATE | 5 | |
| 21@ | 2829-1 | ARM, TROWEL HD EXTENDED | 5 | |
| 22 | 12932 | SPIDER ASSY. 5 BLD L.S. 1-1/2" | 1 | INCLUDES ITEMS W/@ |
| 23 | 20938 | THRUST COLLAR ASSY. | 1 | INCLUDES ITEMS W/# |

SPIDER ASSY. (RIGHT)

RIGHT-SIDE SPIDER ASSEMBLY (5-BLADE).
VIEW FROM OPERATORS SEAT.



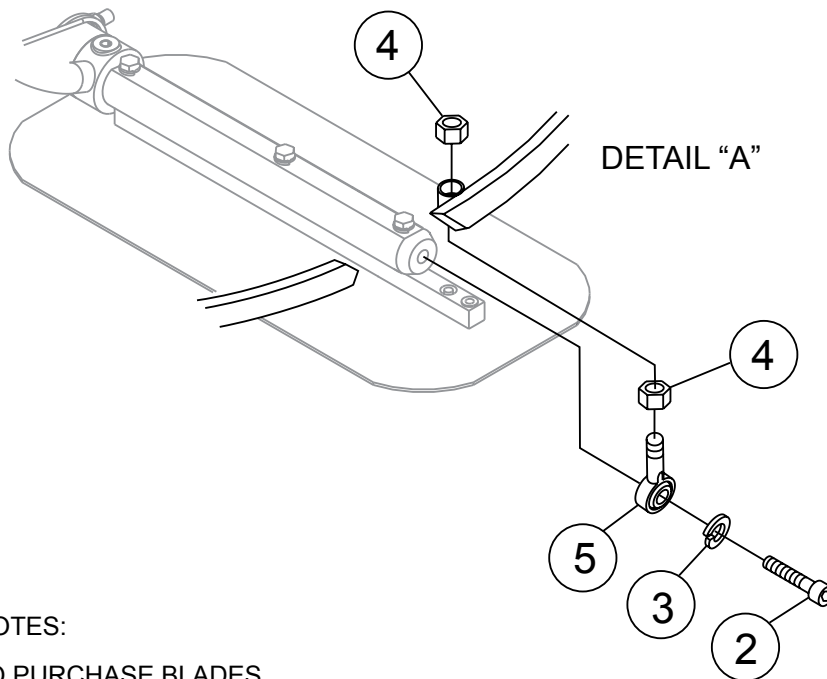
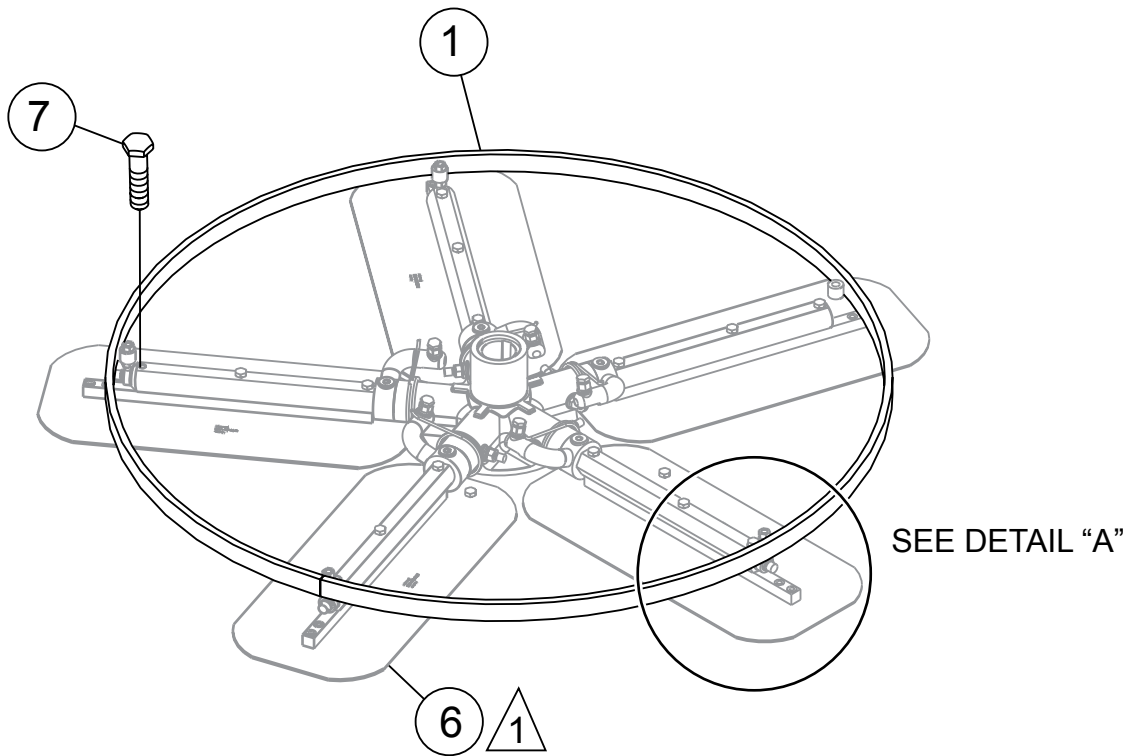
NOTES

- ① APPLY LOCTITE (BLUE 242)
P/N 1477 TO ITEMS 11, 14, AND 16
- ② TORQUE TO 32.5 FT. LBS.
- ③ PART OF ITEM 2 (P/N 11431)

SPIDER ASSY. (RIGHT)

| <u>NO.</u> | <u>PART NO.</u> | <u>PART NAME</u> | <u>QTY.</u> | <u>REMARKS</u> |
|------------|-----------------|--|-------------|--------------------|
| 1# | 12779 | BEARING, THRUST 6017-24S W/FLNG | 1 | |
| 2# | 11431 | THRUST COLLAR W/BUSHING | 1 | |
| 3# | 11419 | PLATE, WEAR | 1 | |
| 4# | 1162 A | CAP, GREASE ZERK, #2 YELLOW | 6 | |
| 5# | 2621 | FITTING, GREASE ZERK STR 1/4-28 | 1 | |
| 6@ | 12931-1 | SPIDER PLATE, 5 BLD R.S. 1-1/2" | 1 | |
| 7# | 12316 | BUSHING, THRUST COLLAR W/ HOLE | 1 | |
| 8@ | 1322 | SCREW, ARM RETAINING | 5 | |
| 9@ | 1875 | WASHER, INT. SHKP, 3/8 | 5 | |
| 10 | 12687 | KEY, 3/8 SQ X 2 | 1 | |
| 11@ | 12097 | SCREW, SQHS 3/8-16 X 1-3/4 CONE GRD 8 PT'D | 2 | |
| 12@ | 1456 | NUT, HEX FINISH 3/8-16 | 2 | |
| 13@ | 11039 | BUSHING, TROWEL LARGE ARM | 10 | |
| 14 | 11602 | SCREW, HHC 3/8-16 X 1/4 | 5 | |
| 15@ | 2143 | SPRING, RS H ARM RETURN STD BOSS | 5 | |
| 16@ | 0164 B | SCREW, HHC ROUNDED 3/8-16 SPCL | 5 | |
| 17@ | 1876 | NUT, HEX JAM 3/8-16 CLASS 2B | 5 | |
| 18@ | 0166 A | WASHER, LOCK, 3/8 MED. | 5 | |
| 19@ | 11904-1 | LEVER, TROWEL ARM, RIGHT | 5 | |
| 20@ | 9006 | PIN, ROLL 5/16 X 2 NO PLATE | 5 | |
| 21@ | 2829-1 | ARM, TROWEL HD EXTENDED | 5 | |
| 22 | 12933 | SPIDER ASSY. 5 BLD R.S. 1-1/2" | 1 | INCLUDES ITEMS W/@ |
| 23 | 20938 | THRUST COLLAR ASSY | 1 | INCLUDES ITEMS W/# |

STABILIZER RING ASSY.



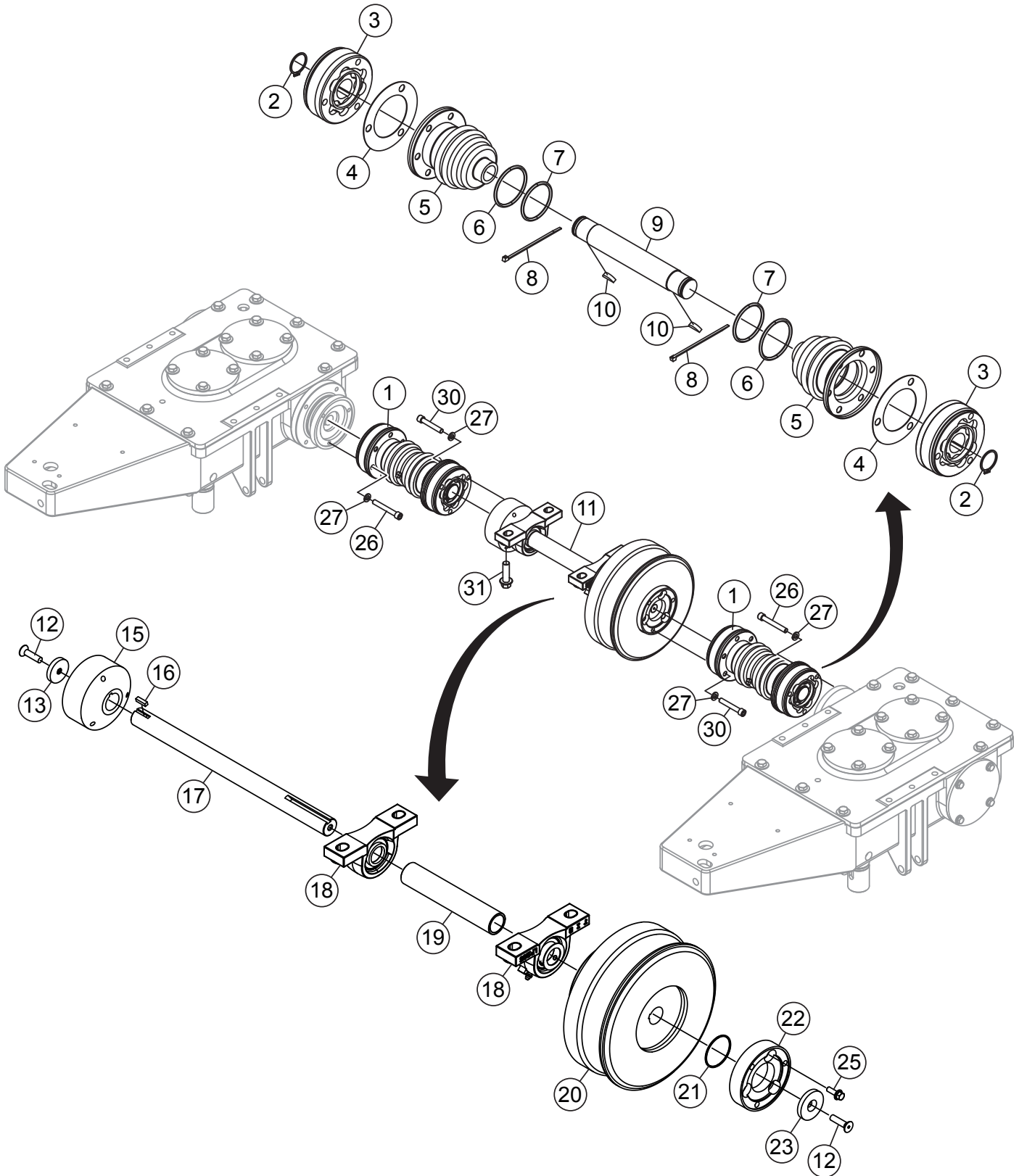
NOTES:

△ 1 TO PURCHASE BLADES
CONTACT UNIT SALES DEPT.

STABILIZER RING ASSY.

| <u>NO.</u> | <u>PART NO.</u> | <u>PART NAME</u> | <u>QTY.</u> | <u>REMARKS</u> |
|------------|-----------------|---------------------------------|-------------|--------------------|
| 1 | A9204 | RING, STABILIZER | 2 | |
| 2 | 1237 | SCREW, SHC 5/16-18 X 7/8 NYLOC | 10 | |
| 3 | 0300 B | WASHER, FLAT, SAE 5/16 | 10 | |
| 4 | 6014 C | NUT, HEX FINISH 5/16-24 | 20 | |
| 5 | 1723 | ROD END, 5/16-24 MALE RH | 10 | |
| 6 | | BLADE ASSY. | 10..... | CONTACT UNIT SALES |
| 7 | 22174 | SCREW, HHFS 5/16-18 X 1-3/4 GR5 | 30 | |

DRIVE ASSY. (OLD STYLE)



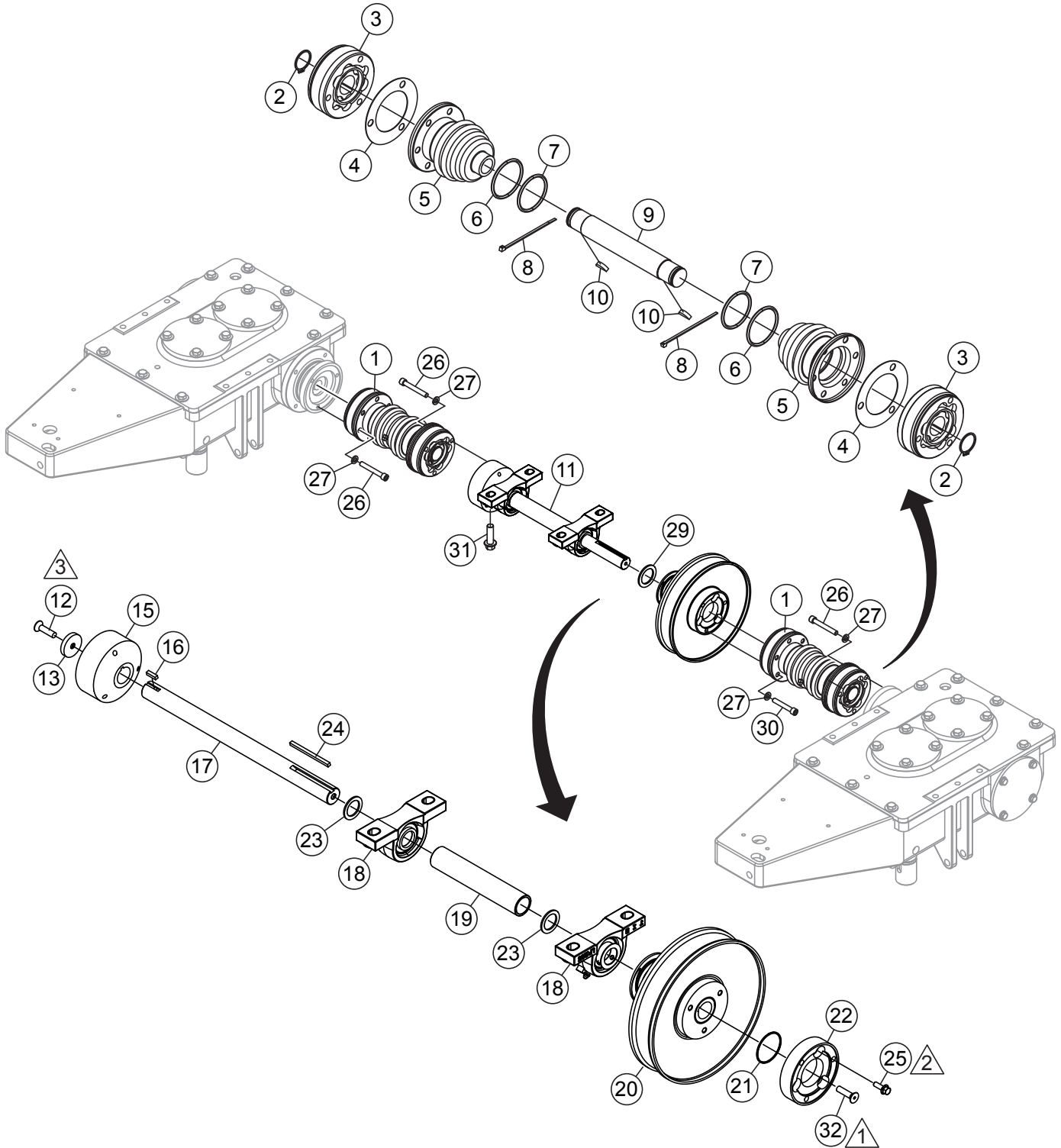
DRIVE ASSY. (OLD STYLE)

| NO. | PART NO. | PART NAME | QTY. | REMARKS |
|-----|----------|--|---------|---|
| 1 | 23140 | SHAFT, DRIVE CV JOINT ASSY | 2 | INCLUDES ITEMS W/@ |
| 2@ | 2090 | SNAP RING, TRUARC#5100-106 1.062 DIA X .056 | 2 | |
| 3@ | 392052 | C.V. JOINT, COUPLING | 2 | |
| 4@ | 11108 | GASKET, C.V. JOINT BOOT RIDERS | 2 | |
| 5@ | 2259 | BOOT ASSY, C.V. JOINT RIDERS | 2 | INCLUDES ITEMS W/# |
| 6@# | 22219 | O-RING, SIZE 2-228N-90 2.25 DIA X .125 | 2 | |
| 7@# | 22220 | O-RING, SIZE 2-225N-90 1.875 DIA. X .125 | 2 | |
| 8@ | 1662 | TIE, CABLE TY-RAP BLACK | 2 | |
| 9@ | 23150 | SHAFT, C.V. JOINT 7.70LG | 1 | |
| 10@ | 0126 | KEY, WOODRUFF #606 3/16 X 3/4 (#9) | 2 | |
| 11 | | DRIVE, CROSS SHAFT ASSY | 1 | INCLUDES ITEMS W/% NO LONGER AVAILABLE USE KIT P/N 23447 TO UPGRADE TO MULTI-CLUTCH SYSTEM |
| 12% | 9092 | SCREW, FHSC 5/16-18X1.25 NYLON PATCH | 2 | |
| 13% | 2037 | SPACER, CSK 1.375 DIA. X .328 DIA. X .250 | 1 | |
| 15% | 23162 | COUPLER, C.V. SHAFT DRIVE | 1 | |
| 16% | 10909 | KEY, SQ 3/16 X 11/16 | 1 | |
| 17% | 23033 | SHAFT, DRIVE BEARING | 1 | |
| 18% | 10337 | BEARING, P-BLOCK 1.0" - JIB #VPLS205-16 | 2 | |
| 19% | 23141 | SPACER, 1.25 DIA. X 1.01 DIA. X 6.583" | 1 | |
| 20% | | PULLEY, CVT LOWER COMET | 1 | NO LONGER AVAILABLE USE KIT P/N 23447 TO UPGRADE TO MULTI-CLUTCH SYSTEM |
| 21% | 20116 | O-RING, SIZE-031 BUNA N | 1 | |
| 22% | 23156 | COUPLER, CV-JOINT TO COMET CLUTCH | 1 | |
| 23% | 23151 | SPACER, CSK CENTERING 1.735 D X .328 D X .35 | 1 | |
| 25% | 9165 | SCREW, HHFS 1/4-28 X 3/4 GR5 PATCH | 3 | |
| 26 | 2186 | SCREW, SHC 5/16-16 X 2-1/4 PLTD | 6 | |
| 27 | 0161 C | WASHER, LOCK, 5/16 MED | 12 | |
| 30 | 0243 | SCREW, SHC 5/16- 18 X 1-3/4 | 6 | |
| 31 | 23305 | SCREW, HHF M12-1.75 X 30 | 4 | |

NOTICE

Multi-Clutch components are not interchangeable with the prior Hoffco Comet drive system. The Hoffco Comet CVT system must be replaced with Multi-Clutch components in the event of a Hoffco Comet clutch failure.

DRIVE ASSY. (NEW STYLE)



NOTES

- △1 TORQUE TO 15 FT-LBF
- △2 TORQUE TO 10 FT-LBF
- △3 TORQUE TO 30 FT-LBF

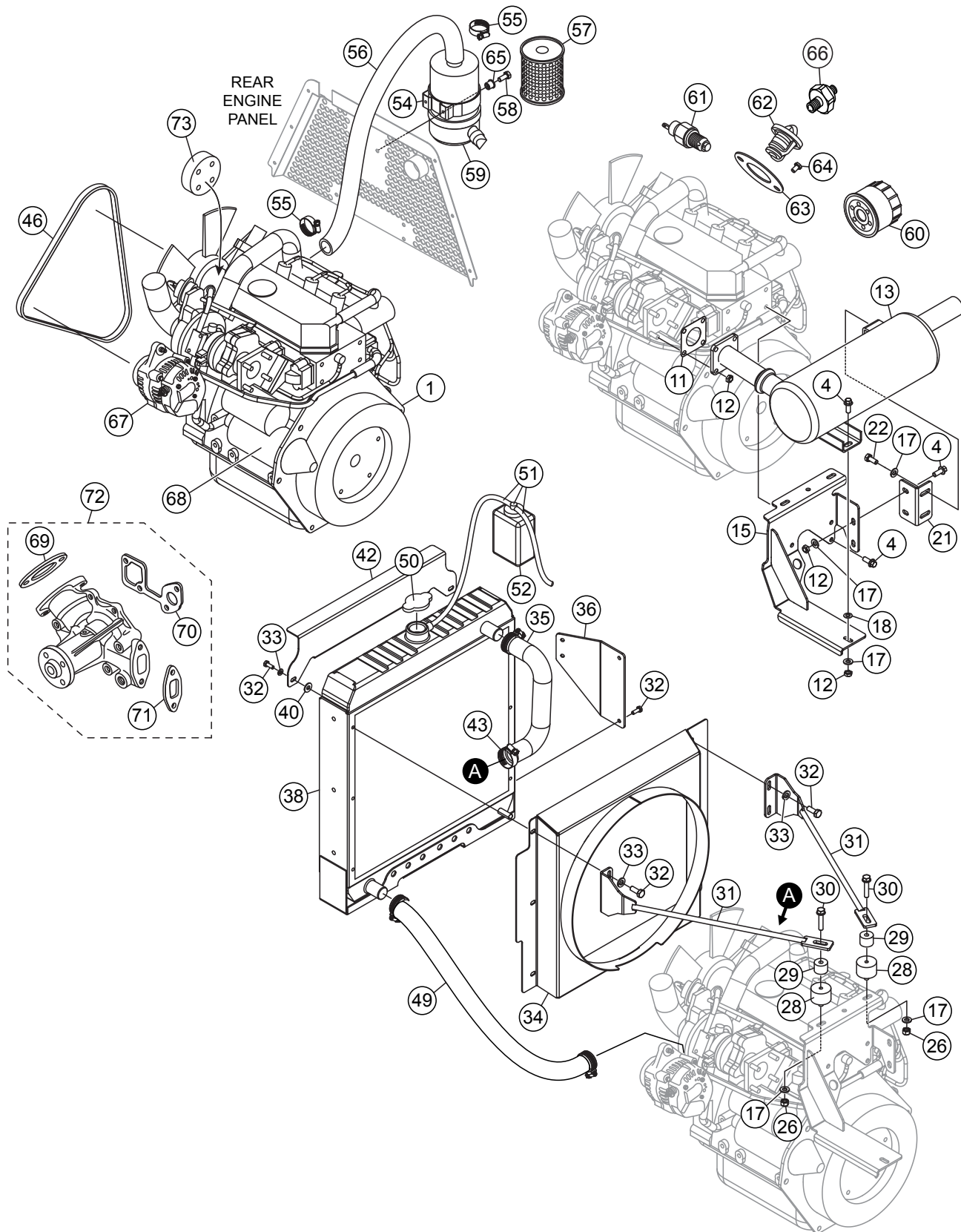
DRIVE ASSY. (NEW STYLE)

| NO. | PART NO. | PART NAME | QTY. | REMARKS |
|-----|----------|---|---------|--------------------|
| 1 | 23140 | SHAFT, DRIVE CV JOINT ASSY | 2 | INCLUDES ITEMS W/@ |
| 2@ | 2090 | SNAP RING, TRUARC#5100-106 1.062 DIA X .056 | 2 | |
| 3@ | 392052 | C.V. JOINT, COUPLING | 2 | |
| 4@ | 11108 | GASKET, C.V. JOINT BOOT RIDERS | 2 | |
| 5@ | 2259 | BOOT ASSY, C.V. JOINT RIDERS | 2 | INCLUDES ITEMS W/# |
| 6@# | 22219 | O-RING, SIZE 2-228N-90 2.25 DIA X .125 | 2 | |
| 7@# | 22220 | O-RING, SIZE 2-225N-90 1.875 DIA. X .125 | 2 | |
| 8@ | 1662 | TIE, CABLE TY-RAP BLACK | 2 | |
| 9@ | 23150 | SHAFT, C.V. JOINT 7.70LG | 1 | |
| 10@ | 0126 | KEY, WOODRUFF #606 3/16 X 3/4 (#9) | 2 | |
| 11 | 23425 | DRIVE, CROSS SHAFT ASSY | 1 | INCLUDES ITEMS W/% |
| 12% | 1146 | SCREW, FHSC 5/16-18X1, NYLON, NP | 1 | |
| 13% | 2037 | SPACER, CSK 1.375 DIA. X .328 DIA. X .250 | 1 | |
| 15% | 23162 | COUPLER, C.V. SHAFT DRIVE | 1 | |
| 16% | 10909 | KEY, SQ 3/16 X 11/16 | 1 | |
| 17% | 23423 | SHAFT, DRIVE BEARING | 1 | |
| 18% | 10337 | BEARING, P-BLOCK 1.0" - JIB #VPLS205-16 | 2 | |
| 19% | 23424 | SPACER, 1.25 DIA. X 1.01 DIA. X 6.28" | 1 | |
| 20 | 23363-2 | PULLEY, CVT DRIVEN HILLIARD | 1 | |
| 21 | 20116 | O-RING, SIZE-031 BUNA N | 1 | |
| 22 | 23420 | COUPLER, DRIVEN CCVT | 1 | |
| 23% | 11773 | SHIM, STEEL .031 X 1.5 DIA. X 1.0 XIA. | 2 | |
| 24% | 20363 | KEY, STEEL .188 X .250 X 2.5 | 1 | |
| 25 | 9165 | SCREW, HHFS 1/4-28 X 3/4 GR5 PATCH | 3 | |
| 26 | 2186 | SCREW, SHC 5/16-16 X 2-1/4 PLTD | 9 | |
| 27 | 0161 C | WASHER, LOCK, 5/16 MED | 12 | |
| 29 | 11772 | SHIM, TRUNNION .063 | A/R | |
| 30 | 0243 | SCREW, SHC 5/16- 18 X 1-3/4 | 3 | |
| 31 | 23305 | SCREW, HHF M12-1.75X30MM GR8.8 PATCH | 4 | |
| 32 | 9092 | SCREW, FHSC 5/16-18X1.25, NYLON PATCH | 1 | |

NOTICE

Multi-Clutch components are not interchangeable with the prior Hoffco Comet drive system. The Hoffco Comet CVT system must be replaced with Multi-Clutch components in the event of a Hoffco Comet clutch failure.

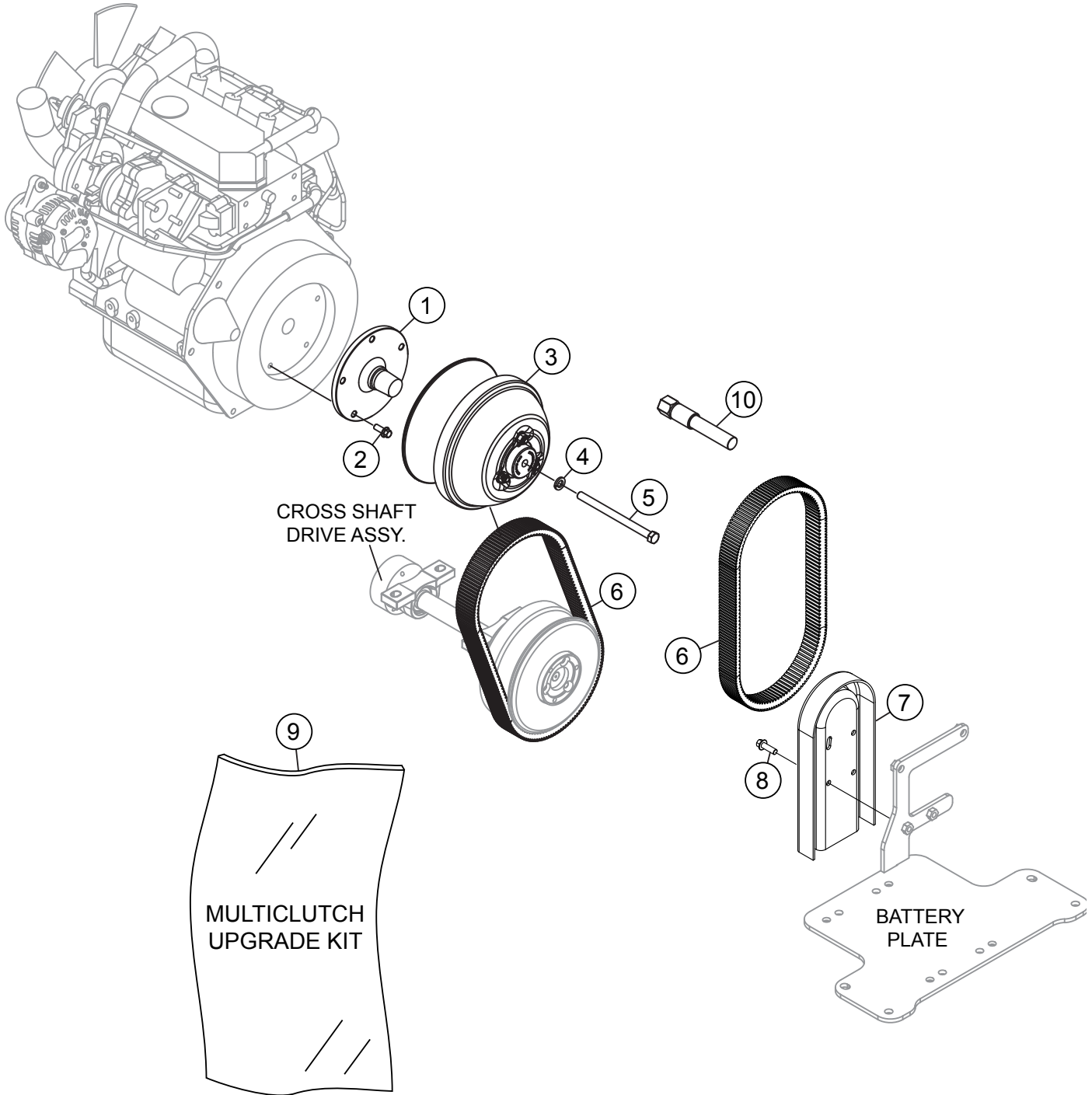
ENGINE ASSY.



ENGINE ASSY.

| <u>NO.</u> | <u>PART NO.</u> | <u>PART NAME</u> | <u>QTY.</u> | <u>REMARKS</u> |
|------------|-----------------|--|-------------|--------------------|
| 1 | 23014 | ENGINE, BRIGGS 34HP, DM950DTH DIESEL | 1 | INCLUDES ITEMS W/@ |
| 4 | 22021 | SCREW, HHFS M8-1.25X20MM TENSIOK PATCH | 6 | |
| 11@ | | GASKET, EXHAUST | 1 | |
| 12 | 20440 | NUT, HEX LOCK M8-1.25 DEFORMED THIN | 7 | |
| 13 | 21451 | MUFFLER, HHN ACS STAINLESS 34VTD | 1 | |
| 15 | 23561 | BRACKET, EXHAUST MOUNT | 1 | REPLACES P/N 23310 |
| 17 | 0300 B | WASHER, FLAT SAE 5/16 | 7 | |
| 18 | 37250 | WASHER, BELLEVIEW, .317 X .625 | 1 | |
| 21 | 23075 | MOUNT, UPPER MUFFLER SUPPORT | 1 | |
| 22 | 0655 | SCREW, HHC 5/16-18 X 3/4 | 2 | |
| 26 | 5283 | NUT, NYLOC 5/16-18 | 2 | |
| 28 | 21231 | ISOLATOR, PLATE, STUD 5/16 | 2 | |
| 29 | 21391 | SPACER, 1.0 OD X .318 ID X .75 L | 2 | |
| 30 | 21906 | SCREW, HHFS 5/16-18 X 1-1/2 GR5 | 2 | |
| 31 | 23315 | STRUT, RADIATOR | 2 | |
| 32 | 12464 | SCREW, HHC M6-1.0 X 16MM | 10 | |
| 33 | 0181 B | WASHER, LOCK, 1/4 MEDIUM | 8 | |
| 34 | 23300 | SHROUD, RADIATOR | 1 | |
| 35 | 23312 | HOSE, RADIATOR, UPPER | 1 | |
| 36 | 23280 | MOUNT, RADIATOR OVERFLOW | 1 | |
| 38 | 23299 | RADIATOR | 1 | |
| 40 | 25334 | WASHER, FLAT USS 1/4 | 2 | |
| 42 | 23321 | BAFFLE, RADIATOR FRONT | 1 | |
| 43 | 21552 | CLAMP, HOSE WORM #16 13/16 TO 1-1/2 | 4 | |
| 46 | 821075 | V-BELT | 1 | |
| 49 | 825133 | HOSE, RADIATOR, LOWER | 1 | |
| 50 | 820258 | CAP, RADIATOR | 1 | |
| 51 | 825461 | CAP, HOSE RESERVE | 1 | |
| 52 | 825462 | TANK, RESERVE | 1 | |
| 53 | 825461 | CAP AND HOSES, RESERVE | 1 | |
| 54 | 820230 | CLAMP, AIR CLEANER | 1 | |
| 55 | 10434 | CLAMP, HOSE WORM #32 1-9/16-2.0 | 2 | |
| 56 | 21496 | HOSE, AIR CLEANER | 1 | |
| 57 | M113621 | ELEMENT, AIR CLEANER | 1 | |
| 58 | 12287 | SCREW, THP 1/4-20 X 3/4 SS | 2 | |
| 59 | 23014-07 | AIR CLEANER | 1 | |
| 60 | 820314 | FILTER, OIL | 1 | |
| 61 | 23014-03 | SWITCH, WATER TEMPERATURE | 1 | |
| 62 | 825064 | THERMOSTAT | 1 | INCLUDES ITEMS W/% |
| 63% | 820093 | GASKET, OUTLET | 1 | |
| 64% | 820185 | SCREW, THERMOSTAT | 1 | |
| 65 | 19266 | NUT, BLIND 1/4-20 X 10GA | 2 | |
| 66 | 821135 | SWITCH, OIL PRESSURE | 1 | |
| 67 | 23014-04 | ALTERNATOR, 60A DM950 | 1 | |
| 68 | 825700 | STARTER MOTOR | 1 | |
| 69# | 820093 | OUTLET HOUSING GASKET | 1 | |
| 70# | 820100 | WATER PUMP GASKET | 1 | |
| 71# | 820098 | INLET HOUSING GASKET | 1 | |
| 72 | 825639 | WATER PUMP | 1 | INCLUDES ITEMS W/# |
| 73 | 23014-16 | SPACER, FAN | 1 | |

ENGINE CLUTCH ASSY. (OLD STYLE)



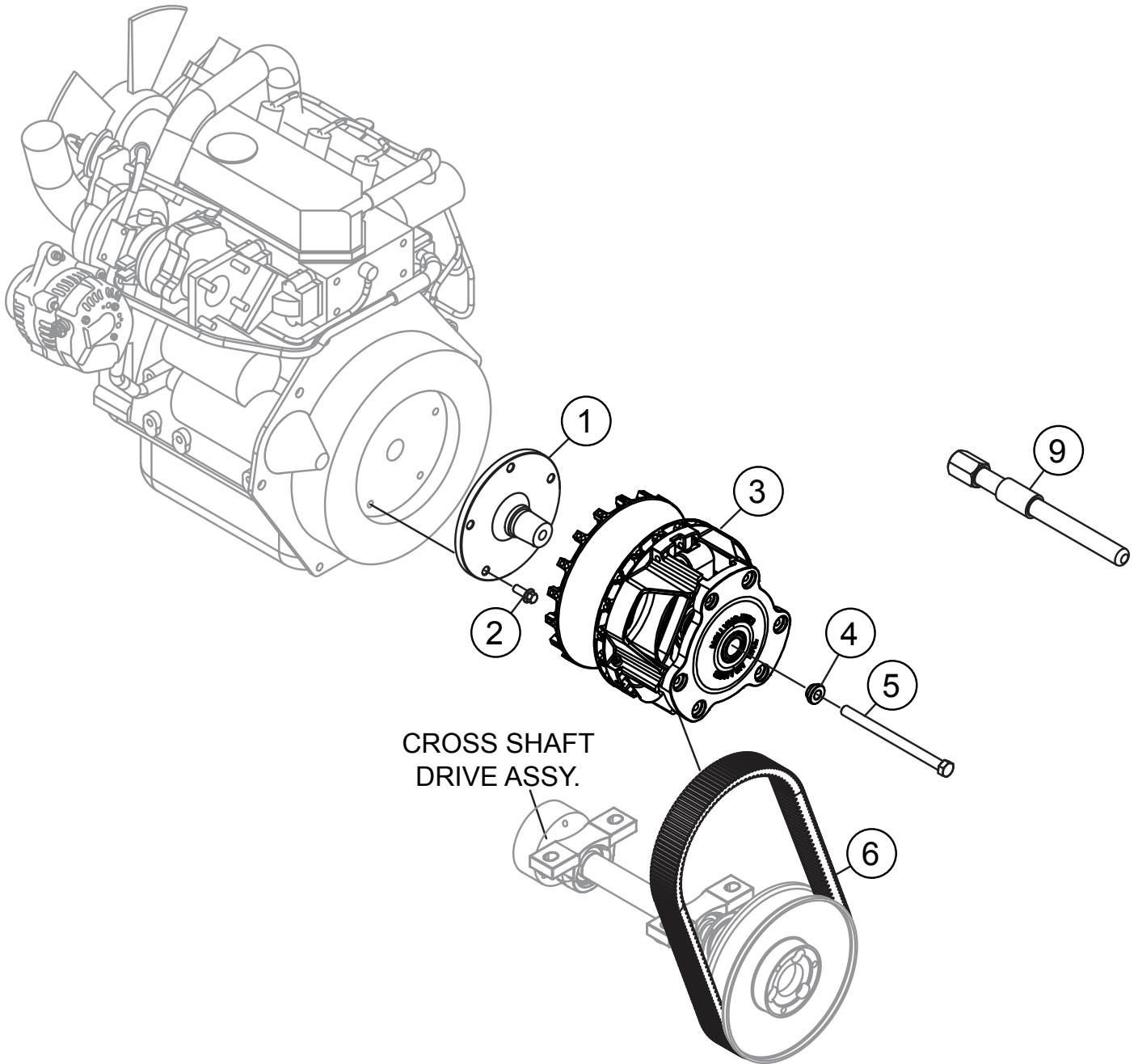
ENGINE CLUTCH ASSY. (OLD STYLE)

| <u>NO.</u> | <u>PART NO.</u> | <u>PART NAME</u> | <u>QTY.</u> | <u>REMARKS</u> |
|------------|-----------------|---|-------------|------------------------------|
| 1 | 23044 | STUB SHAFT, CVT CLUTCH 33MM 31/34V | 1 | |
| 2 | 22021 | SCREW, HHFS M8-1.25X20MM TENSILOK PATCH | 5 | |
| 3 | | CLUTCH, DRIVE CVT 34V DIESEL | 1 | NO LONGER AVAILABLE |
| | | | | USE KIT P/N 23447 TO UPGRADE |
| | | | | TO MULTI-CLUTCH SYSTEM |
| 4 | 2955 | WASHER, LOCK 7/16 ZINC | 1 | |
| 5 | 9164 | SCREW, HHC 7/16-20X6.00 GR8 PATCH | 1 | |
| 6 | 20138 | BELT, CVT CLUTCH COMET #302609 DF | 2 | |
| 7 | 2429 | BELT HOLDER, CVT SPARE BELT | 1 | |
| 8 | 15226 | SCREW, HHF M8-1.25 X 25MM | 1 | |
| 9 | 23447 | KIT, MULTCLUTCH UPGRADE | 1 | |
| 10 | 23291 | TOOL, CLUTCH REMOVAL | 1 | |

NOTICE

Multi-Clutch components are not interchangeable with the prior Hoffco Comet drive system. The Hoffco Comet CVT system must be replaced with Multi-Clutch components in the event of a Hoffco Comet clutch failure.

ENGINE CLUTCH ASSY. (NEW STYLE)



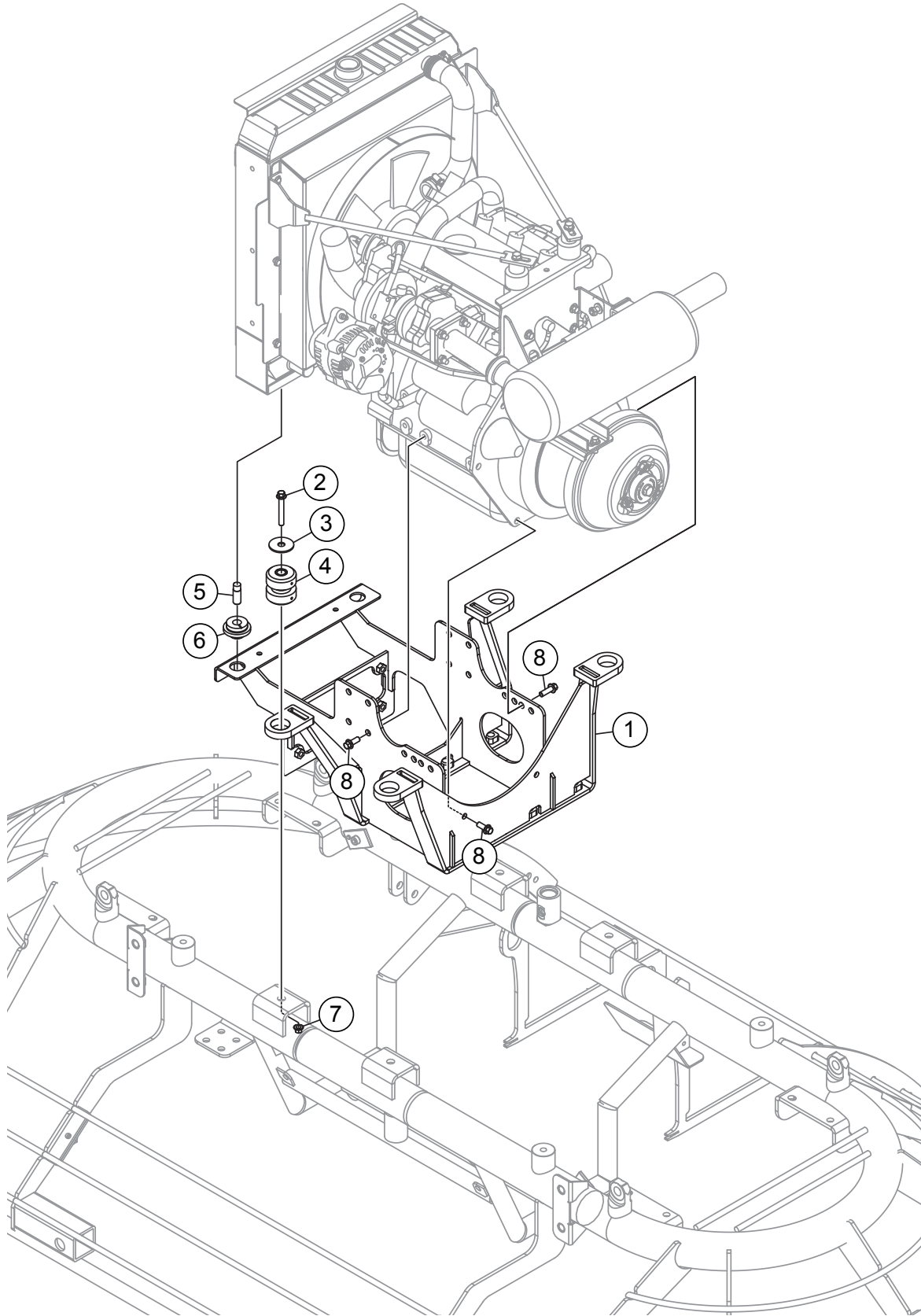
ENGINE CLUTCH ASSY. (NEW STYLE)

| <u>NO.</u> | <u>PART NO.</u> | <u>PART NAME</u> | <u>QTY.</u> | <u>REMARKS</u> |
|------------|-----------------|---|-------------|----------------|
| 1 | 23368 | SHAFT, STUB BRIGGS TAPER | 1 | |
| 2 | 22021 | SCREW, HHFS M8-1.25X20MM TENSILOK PATCH | 5 | |
| 3 | 23363-1 | CLUTCH, CVT DRIVE W/TAPER-HIL | 1 | |
| 4 | 23369 | WASHER, STEP 7/16 | 1 | |
| 5 | 23377 | SCREW, HHC 7/16-20X6.5 GR8 | 1 | |
| 6 | 23365 | BELT, CVT MULTI-CLUTCH | 1 | |
| 9 | 23371 | PULLER, MULTI-CLUTCH | 1 | |

NOTICE

Multi-Clutch components are not interchangeable with the prior Hoffco Comet drive system. The Hoffco Comet CVT system must be replaced with Multi-Clutch components in the event of a Hoffco Comet clutch failure.

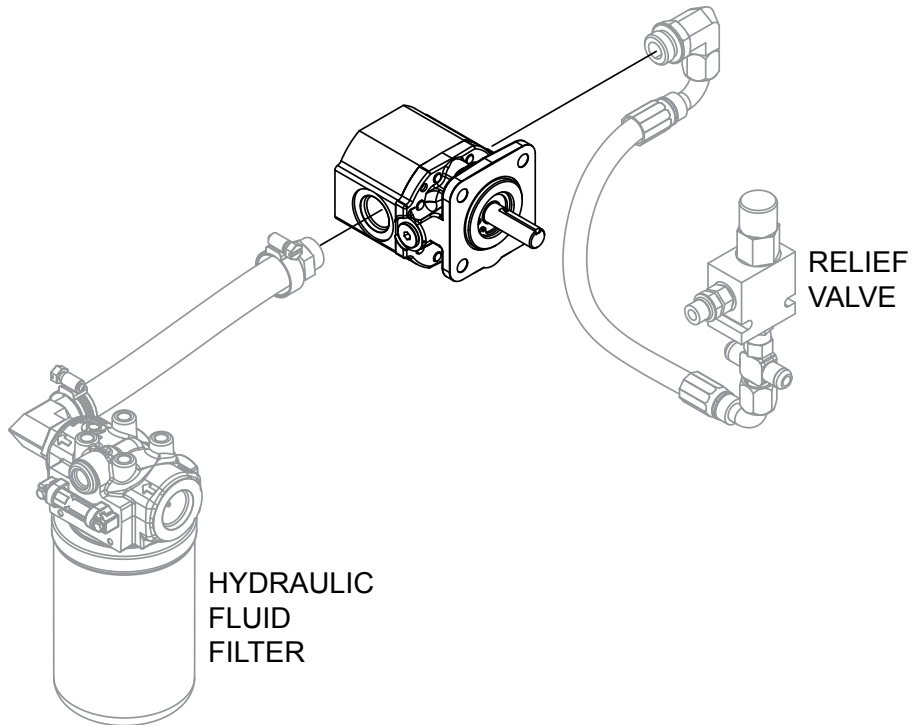
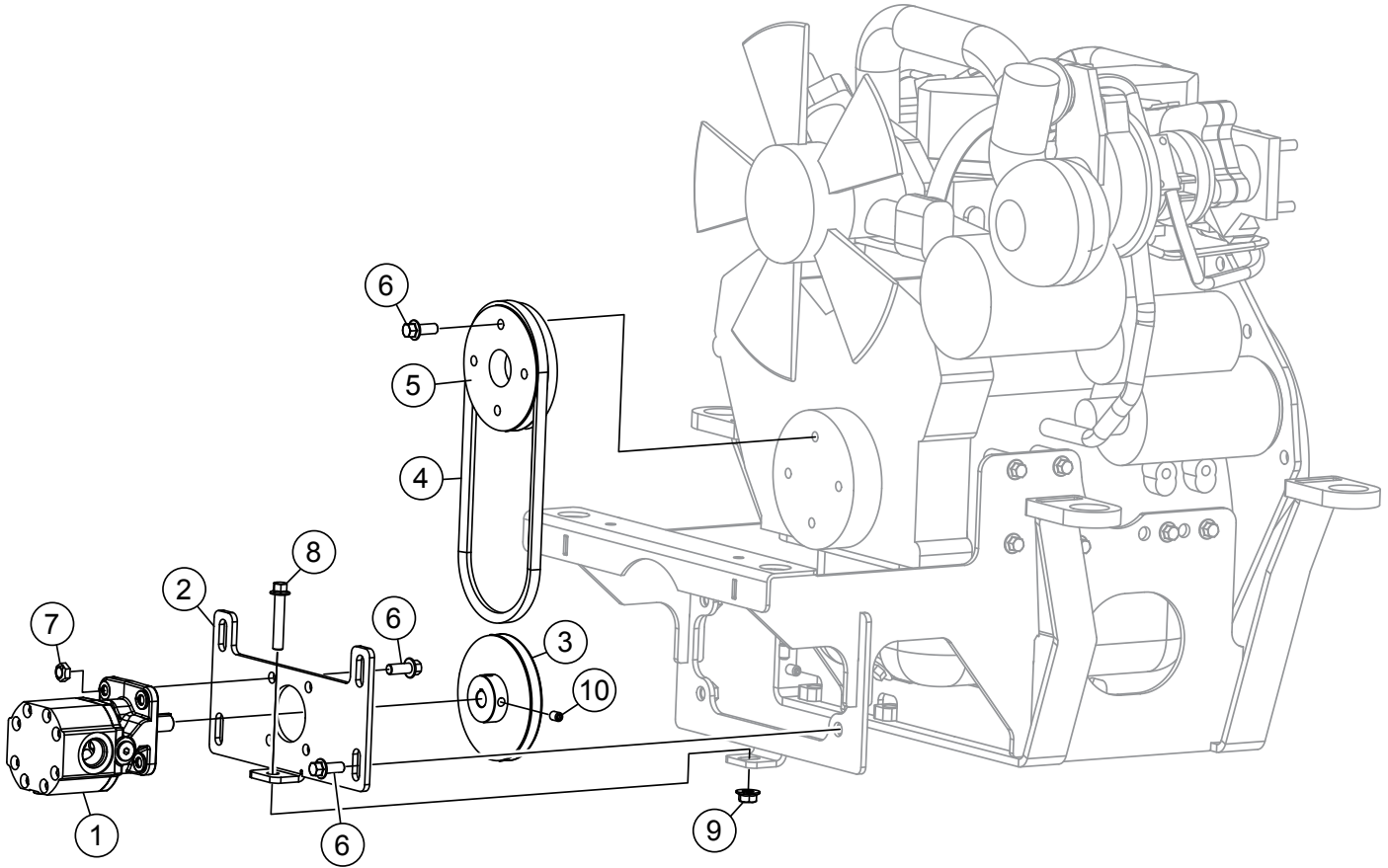
ENGINE MOUNT ASSY.



ENGINE MOUNT ASSY.

| <u>NO.</u> | <u>PART NO.</u> | <u>PART NAME</u> | <u>QTY.</u> | <u>REMARKS</u> |
|------------|-----------------|---|-------------|----------------|
| 1 | 23100 | MOUNT, ENGINE | 1 | |
| 2 | 9176 | SCREW, HHF M12-1.75 X 80 GR10.9 | 4 | |
| 3 | 20743 | WASHER, ISO SNUB KROFUND DYN 148099-18 | 4 | |
| 4 | 23201-2 | ISOLATOR, ARMOR PLATED UNIVERSAL (RED) | 4 | |
| 5 | 23333 | PIN, RADIATOR | 2 | |
| 6 | 23019 | BUSHING, RUBBER RADIATOR MOUNT | 2 | |
| 7 | 9161 | NUT, HEX FLANGED M12-1.75 GR8 | 4 | |
| 8 | 22021 | SCREW, HHFS M8-1.25X20MM TENSILOK PATCH | 11 | |

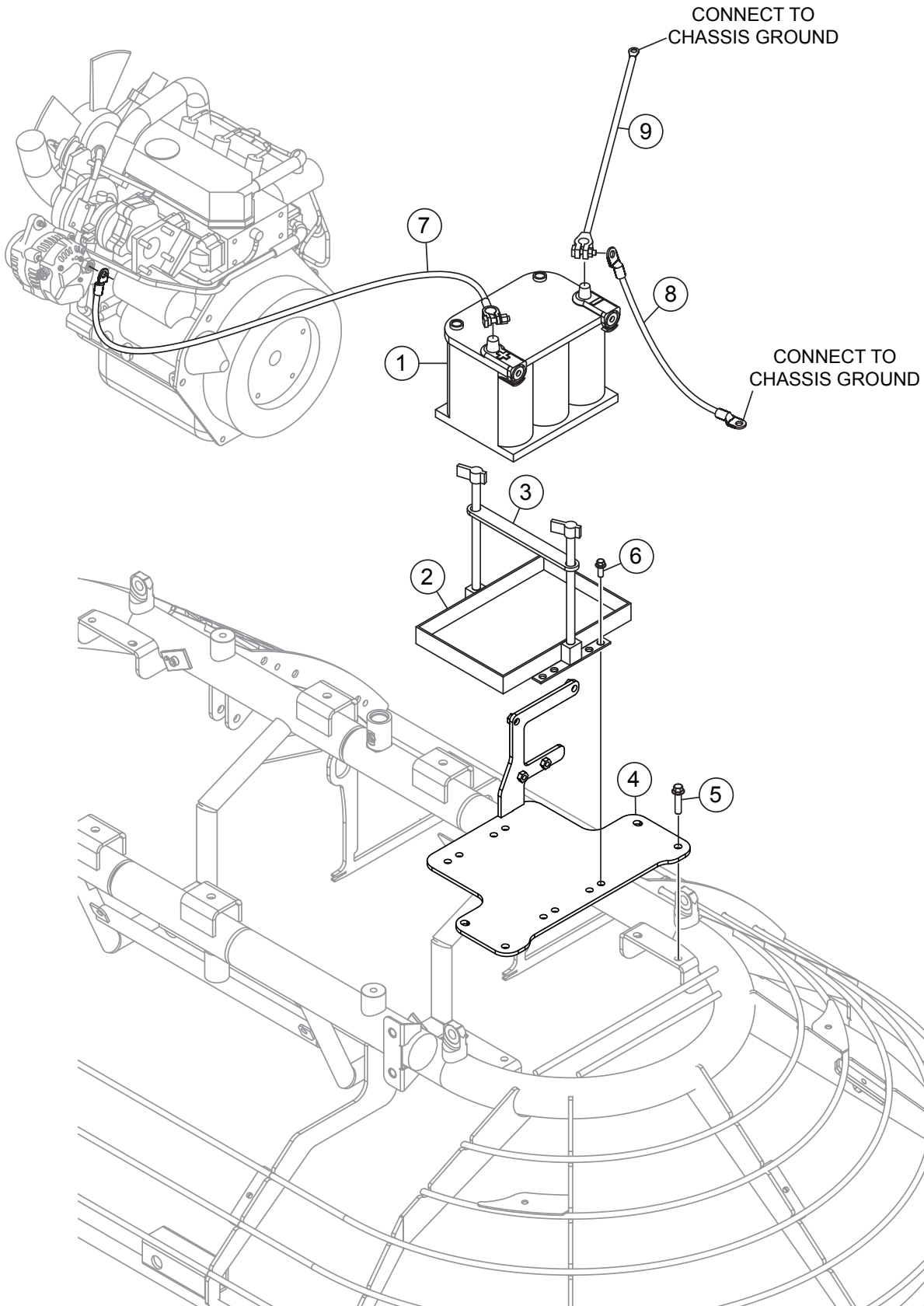
HYDRAULIC PUMP ASSY.



HYDRAULIC PUMP ASSY.

| <u>NO.</u> | <u>PART NO.</u> | <u>PART NAME</u> | <u>QTY.</u> | <u>REMARKS</u> |
|------------|-----------------|---|-------------|----------------|
| 1 | 23304 | PUMP, HYDRAULIC GEAR, 4 BOLT, 6GPM | 1 | |
| 2 | 23357 | PLATE, MOUNT HYDRAULIC PUMP, 4BOLT | 1 | |
| 3 | 23324 | PULLEY, HYDRAULIC PUMP DRIVEN | 1 | |
| 4 | 16779-012 | BELT, 3VX250 | 1 | |
| 5 | 23038 | PULLEY, HYDRAULIC PUMP DRIVE | 1 | |
| 6 | 22021 | SCREW, HHFS M8-1.25X20MM TENSILOK PATCH | 12 | |
| 7 | 20440 | NUT, HEX LOCK M8-1.25 DEFORMED THIN | 4 | |
| 8 | 9086 | SCREW, HHFS M8-1.25X45MM PLATED | 1 | |
| 9 | 15227 | NUT, HEX FLANGED M8-1.25 | 1 | |
| 10 | 38052 | SCREW, SHSCU M8-1.25 X 12 DIN916 | 2 | |

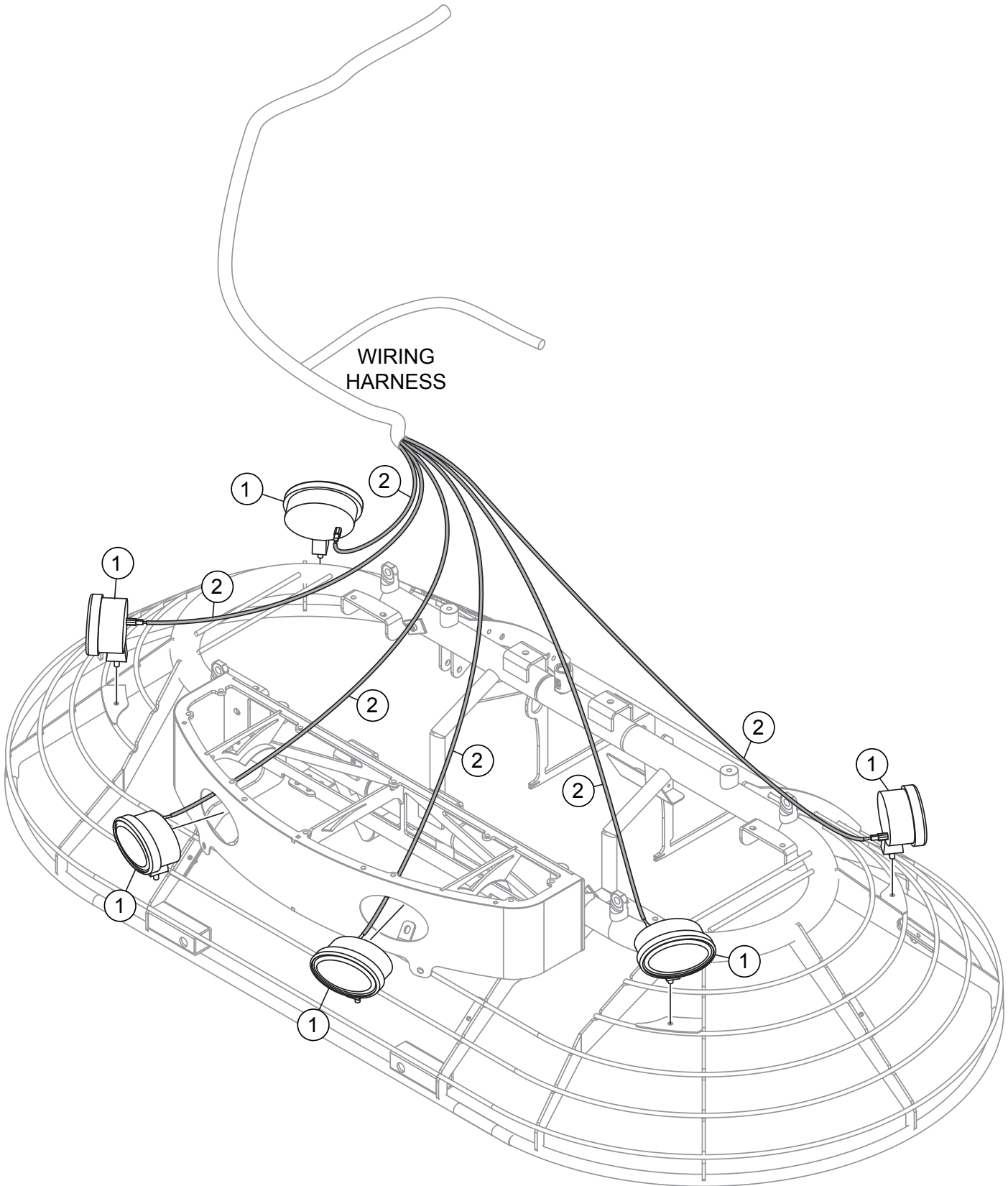
BATTERY ASSY.



BATTERY ASSY.

| <u>NO.</u> | <u>PART NO.</u> | <u>PART NAME</u> | <u>QTY.</u> | <u>REMARKS</u> |
|------------|-----------------|--|-------------|----------------|
| 1 | 404006 | BATTERY, OPTIMA 8022-091 | 1 | |
| 2 | 29661 | TRAY, BATTERY, ATTWOOD 9090-1 | 1 | |
| 3 | 23274 | TIE DOWN BAR, BATTERY | 1 | |
| 4 | 23356 | PLATE, BATTERY | 1 | |
| 5 | 22106 | SCREW, HHFS 3/8-16 X 1.25 ZINC | 4 | |
| 6 | 22021 | SCREW, HHFS M8-1.25X20MM TENSILOK PATCH | 4 | |
| 7 | 19303 | CABLE, BATTERY POS 4GA X 48" POST | 1 | |
| 8 | 1597 | CABLE, BATTERY NEG 4GA X 16" | 1 | |
| 9 | 12278 | CABLE, BATTERY NEG POST4GA X 32 X 3/8RTL | 1 | |

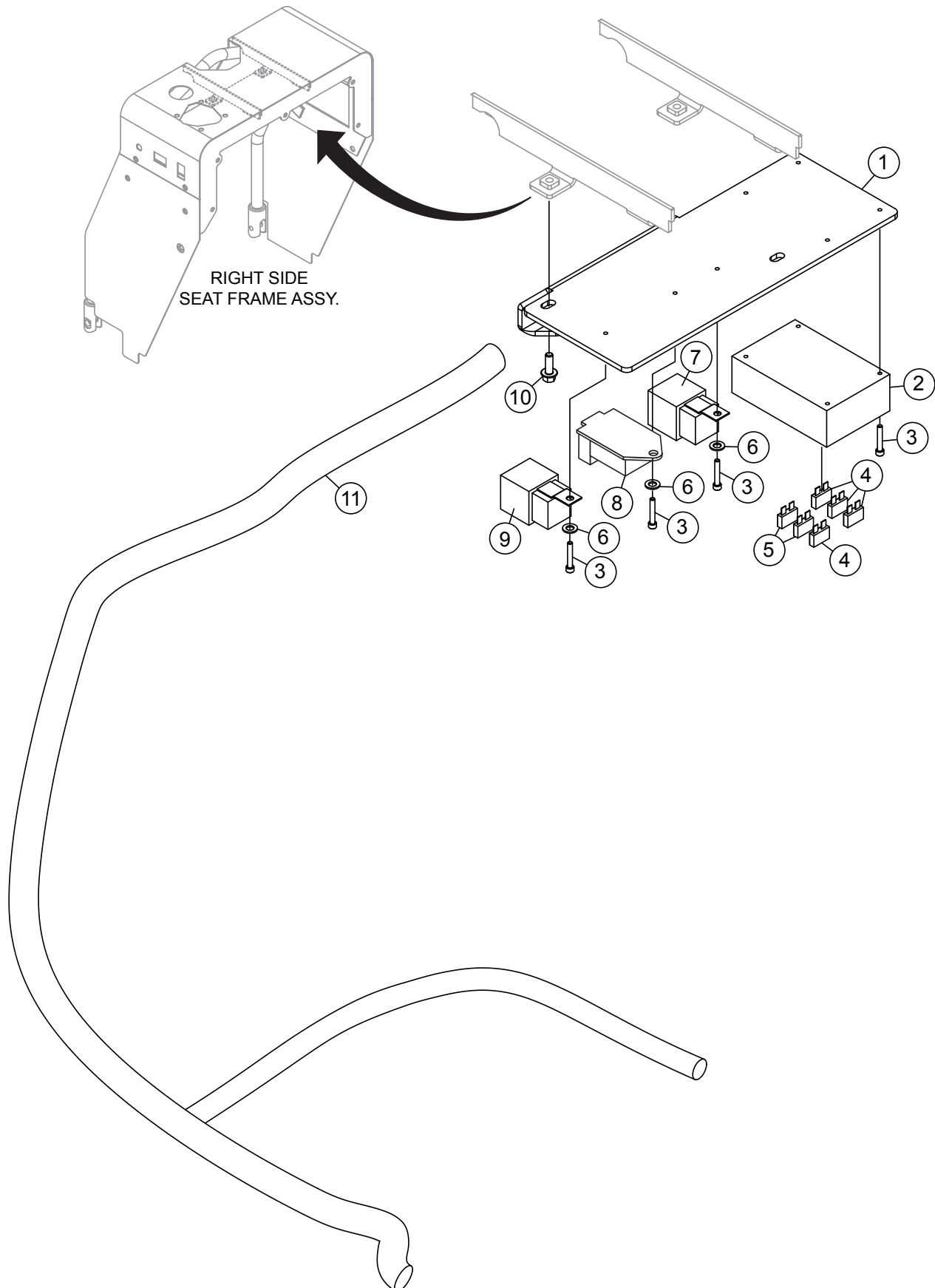
LIGHTS ASSY.



LIGHTS ASSY.

| <u>NO.</u> | <u>PART NO.</u> | <u>PART NAME</u> | <u>QTY.</u> | <u>REMARKS</u> |
|------------|-----------------|--|-------------|----------------|
| 1 | 22347 | LIGHT, HELLA 50W BOTTOM MOUNT #996361617 | 6 | |
| 2 | 23192 | WIRE HARNESS, HELLA LIGHT | 6 | |

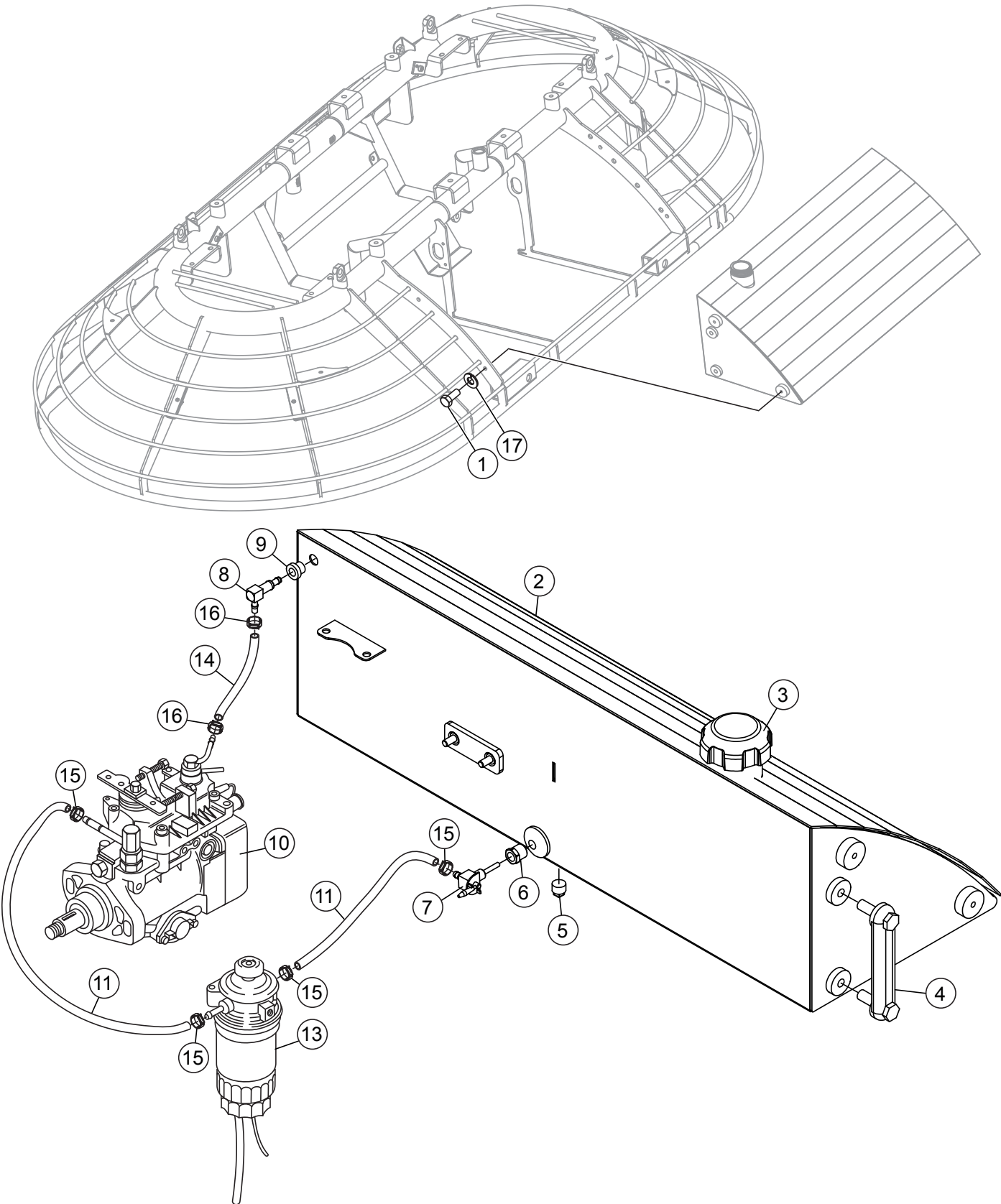
ELECTRICAL ASSY.



ELECTRICAL ASSY.

| <u>NO.</u> | <u>PART NO.</u> | <u>PART NAME</u> | <u>QTY.</u> | <u>REMARKS</u> |
|------------|-----------------|------------------------------|-------------|----------------|
| 1 | 23157 | PLATE, FUSE MOUNT | 1 | |
| 2 | 22426 | BLOCK, TERMINAL FUSE | 1 | |
| 3 | 923118 | SCREW, SHC 8-32x1 NP | 7 | |
| 4 | 23284-100 | FUSE, 10 AMP ATC/ATO | 4 | FUSES 1,3,5,6 |
| 5 | 23284-300 | FUSE, 30 AMP ATC/ATO | 2 | FUSES 2,4 |
| 6 | 2203 | WASHER, FLAT, #10 | 3 | |
| 7 | 12017 | RELAY, KILL # HELLA # 87411B | 1 | |
| 8 | 2881087802 | TIMER, GLOW PLUG | 1 | |
| 9 | 2881087801 | RELAY, GLOW PLUG | 1 | |
| 10 | 49048 | SCREW, HHFS 1/4-20 x 3/4 GR5 | 2 | |
| 11 | 23190 | HARNESS, WIRE ENG/CNTL | 1 | |

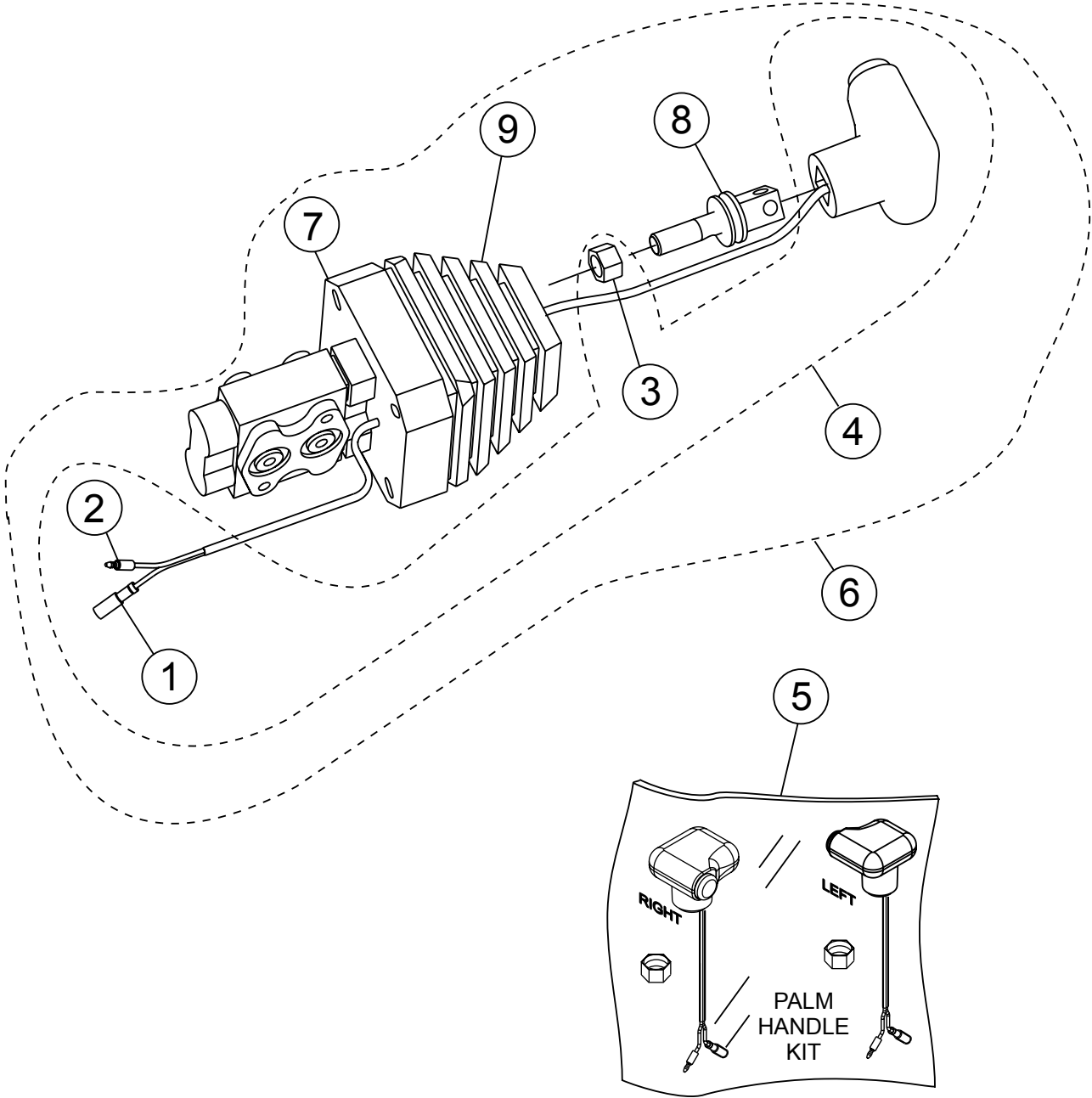
FUEL TANK ASSY.



FUEL TANK ASSY.

| <u>NO.</u> | <u>PART NO.</u> | <u>PART NAME</u> | <u>QTY.</u> | <u>REMARKS</u> |
|------------|-----------------|--|-------------|----------------|
| 1 | 2866 | HHC M8-1.25 X 20MM | 4 | |
| 2 | 23067 | TANK W/A, HHX FUEL | 1 | |
| 3 | 22205 | RACHET CAP, TOP VENT | 1 | |
| 4 | 3336 | GAUGE, OIL TEMP/LEVEL | 1 | |
| 5 | 911329 | FITTING, PLUG 3/8MP MAGNET | 1 | |
| 6 | 19317 | FITTING, BRASS BUSHING 1/4FP x 3/8MP | 1 | |
| 7 | 22076 | SHUTOFF VALVE, 1/4 NPT X 5/16 HOSE | 1 | |
| 8 | 12007 | FITTING, 90° 4SBARBx6-4SBARB THRU TANK | 1 | |
| 9 | 19633 | BUSHING, RUBBER FUEL DAPCO 10672 | 1 | |
| 10 | 825518 | INJECTION PUMP | 1 | |
| 11 | 60028 | HOSE, .321 D 50PSI LOW PERM | 2 | SOLD BY FOOT |
| 13 | 23014-12 | FILTER, FUEL | 1 | |
| 14 | 60012 | HOSE, .250 D 50PSI LOW PERM | 1 | |
| 15 | 22068 | CLAMP, STEPLESS EAR 5/16" HOSE | 4 | |
| 16 | 22067 | CLAMP, STEPLESS EAR 1/4" HOSE | 2 | |
| 17 | 0161 C | WASHER, LOCK 5/16 MED | 4 | |

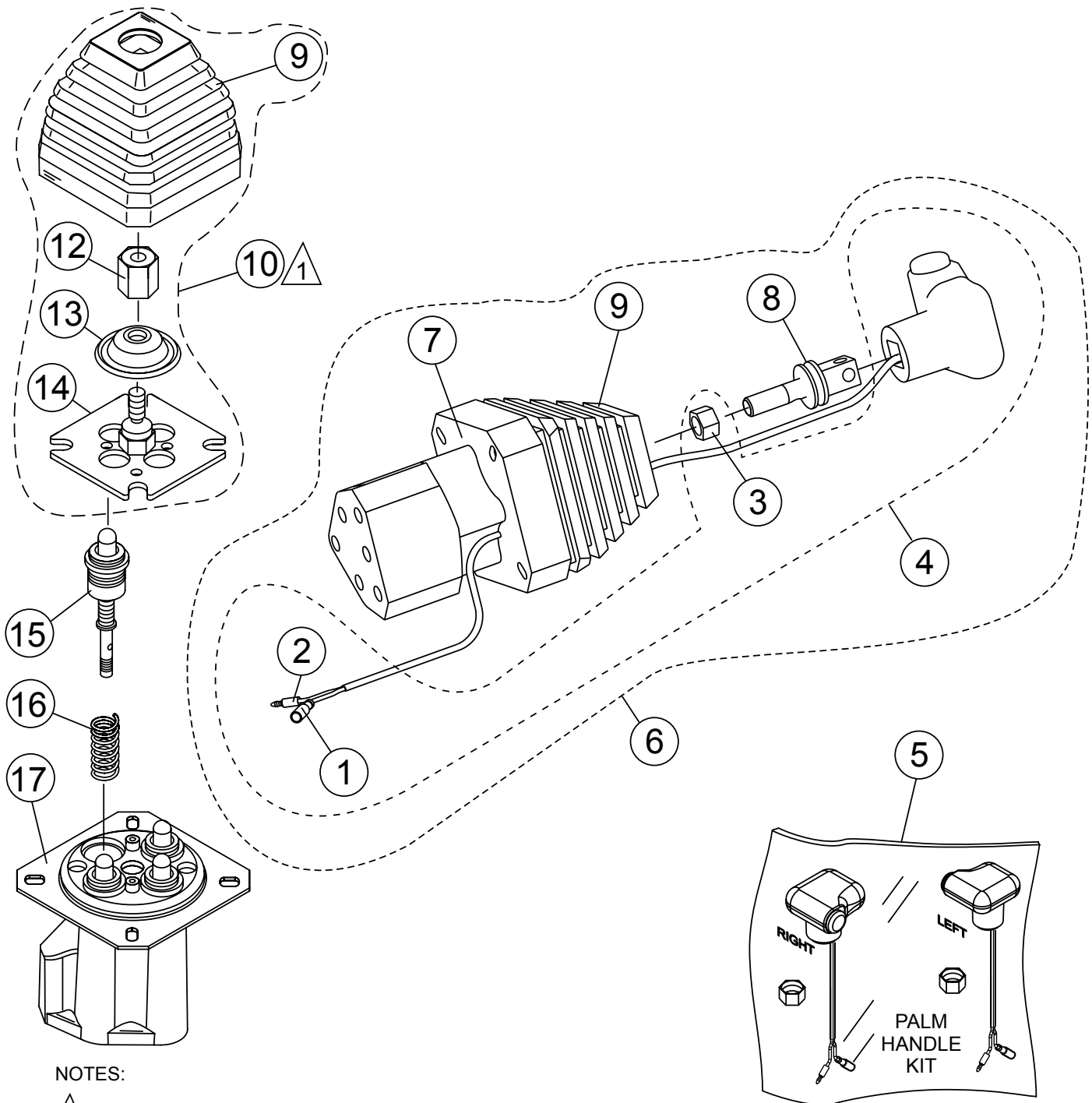
LEFT-HAND VALVE ASSY.




LEFT-HAND VALVE ASSY.

| <u>NO.</u> | <u>PART NO.</u> | <u>PART NAME</u> | <u>QTY.</u> | <u>REMARKS</u> |
|------------|-----------------|--|-------------|---------------------|
| 1#@\$ | 1318 | TERMINAL, BULLET, FEMALE, 18-22 | 1 | |
| 2#@\$ | 4692 | TERMINAL, BULLET MALE 14-16 | 1 | |
| 3#@\$ | 16083 | NUT, HEX M12 P1.75 | 1 | |
| 4@\$ | 20150 | PALM HANDLE, W/SWITCH, LEFT | 1..... | INCLUDES ITEMS W/# |
| 5 | 20165 | PALM HANDLE KIT, L/R HANDLES W/O BOOT..... | 1..... | INCLUDES ITEMS W/\$ |
| 6 | 20831 | VALVE ASSY. W/SWITCH | 1..... | INCLUDES ITEMS W/@ |
| 7@ | 20833 | VALVE, LH STEERING | 1 | |
| 8@ | 21053 | ADAPTOR, LH PALM HANDLE | 1 | |
| 9@ | 21631 | BOOT, STEERING VALVE | 1 | |

RIGHT-HAND VALVE ASSY.



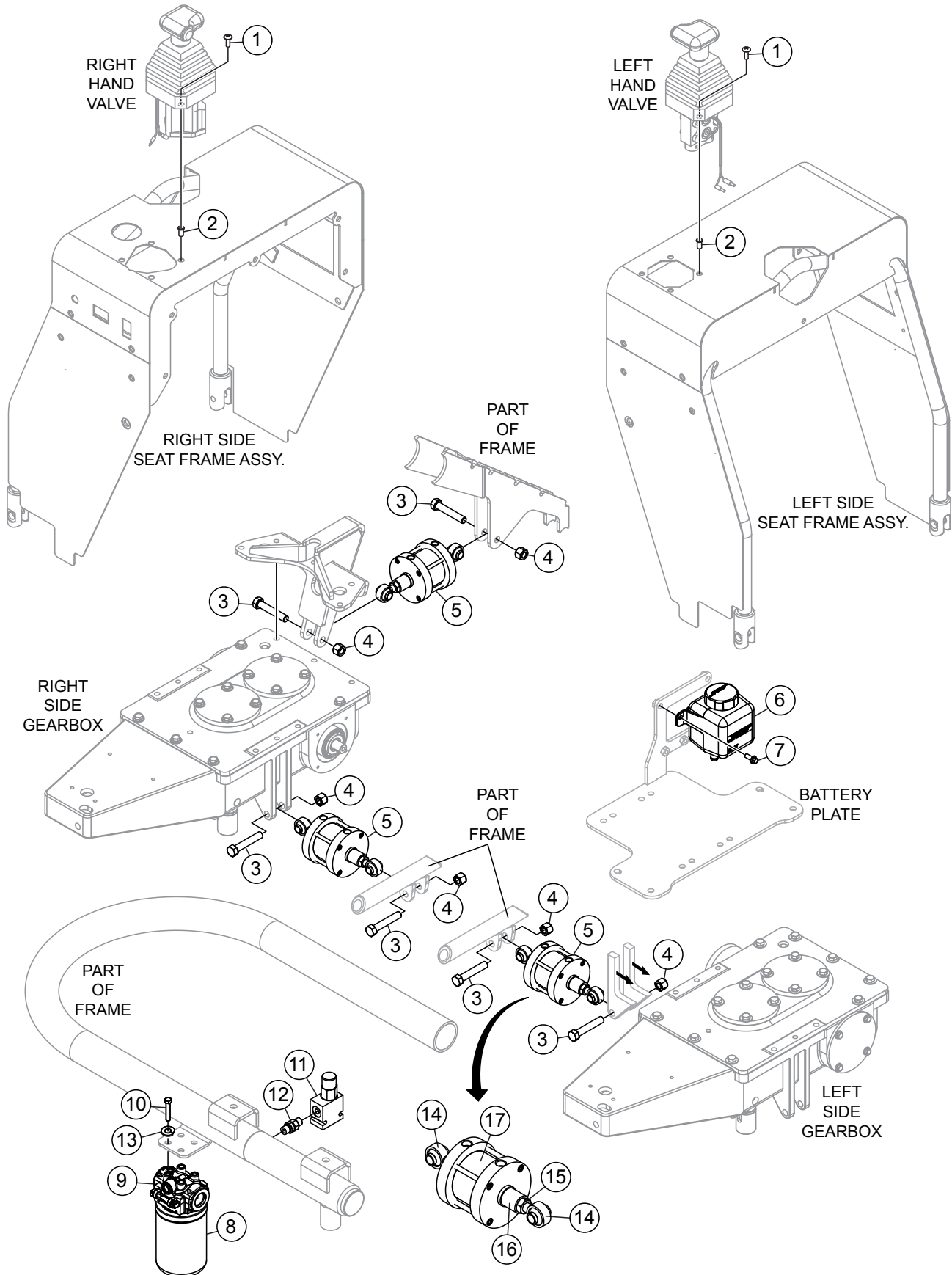
NOTES:

 ITEMS 12, 13 AND 14 CANNOT BE PURCHASED SEPARATELY.

RIGHT-HAND VALVE ASSY.

| <u>NO.</u> | <u>PART NO.</u> | <u>PART NAME</u> | <u>QTY.</u> | <u>REMARKS</u> |
|------------|-----------------|---|-------------|---------------------|
| 1#@\$ | 1318 | TERMINAL, BULLET, FEMALE, 18-22 | 1 | |
| 2#@\$ | 4692 | TERMINAL, BULLET MALE 14-16 | 1 | |
| 3#@\$ | 16083 | NUT, HEX M12 P1.75 | 1 | |
| 4@\$ | 20155 | PALM HANDLE, W/SWITCH, RIGHT | 1 | INCLUDES ITEMS W/# |
| 5 | 20165 | PALM HANDLE KIT, L/R HANDLES W/O BOOT | 1 | INCLUDES ITEMS W/\$ |
| 6 | 20829 | VALVE ASSY., W/SWITCH | 1 | INCLUCES ITEMS W/@ |
| 7@ | 20832 | VALVE, RH STEERING | 1 | |
| 8@ | 20834 | ADAPTOR, RH PALM HANDLE | 1 | |
| 9%@ | 21631 | BOOT, STEERING VALVE | 1 | |
| 10 | 432233013 | GUIDE PLATE KIT | 1 | INCLUDES ITEMS W/% |
| 11% | | BOOT, STEERING VALVE | 1 | |
| 12% | | NUT | 1 | |
| 13% | | GUIDE PLATE BUSHING | 1 | |
| 14% | | UPPER GUIDE PLATE | 1 | |
| 15 | 321800006 | VALVE | 4 | |
| 16 | 421801100 | SPRING, RETURN | 4 | |

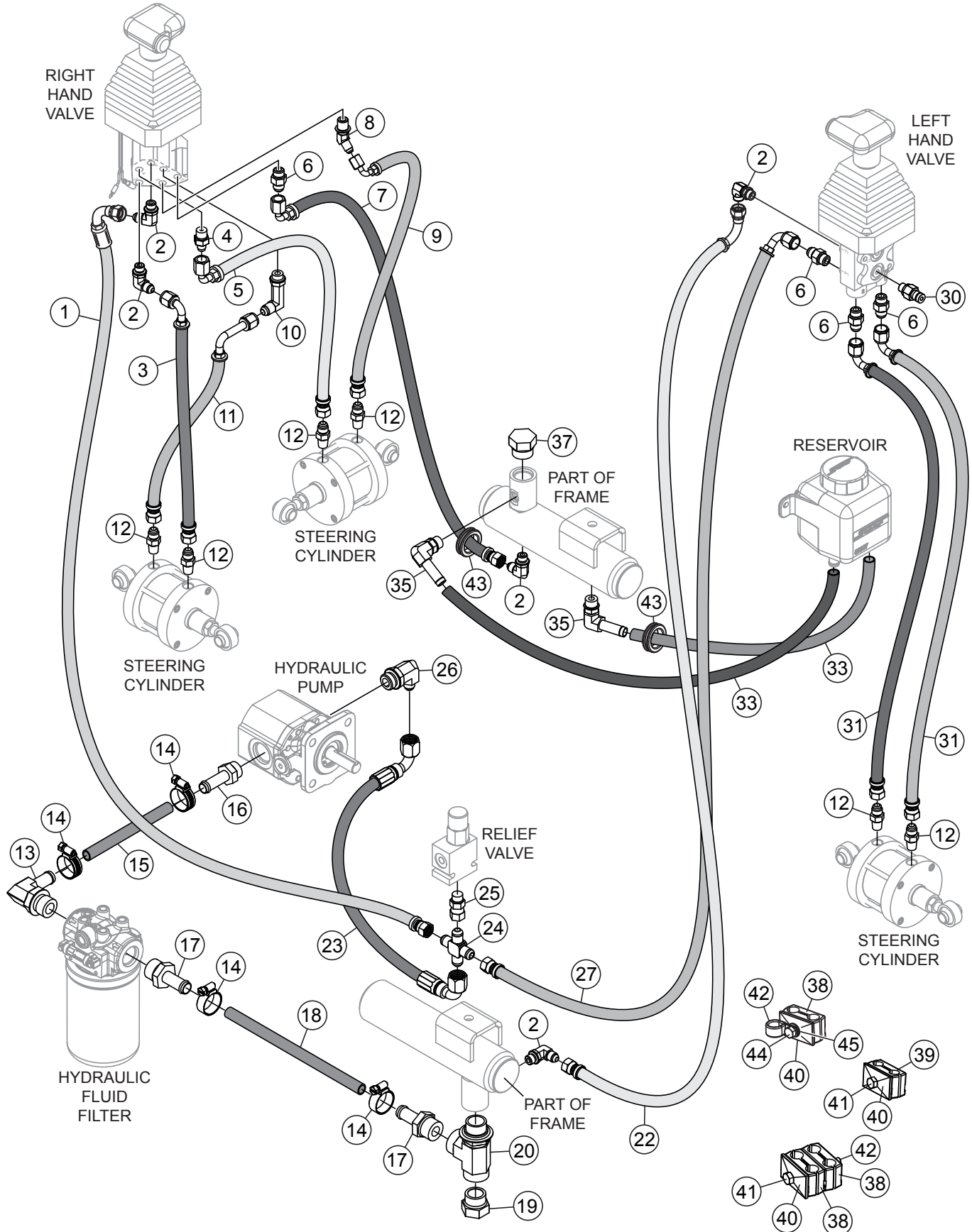
HYDRAULIC STEERING MOUNTING ASSY.



HYDRAULIC STEERING MOUNTING ASSY.

| <u>NO.</u> | <u>PART NO.</u> | <u>PART NAME</u> | <u>QTY.</u> | <u>REMARKS</u> |
|------------|-----------------|--|-------------|--------------------|
| 1 | 12287 | SCREW, THP 1/4-20 X 3/4 SS | 8 | |
| 2 | 19266 | NUT, BLIND 1/4-20 X 10GA | 8 | |
| 3 | 12402 | SCREW, HHC 1/2-13 X 2-1/2 | 6 | |
| 4 | 16629 | NUT, NYLOC 1/2-13 GD 8 | 6 | |
| 5 | 23262 | CYLINDER, HYDRAULIC STEERING ASSY | 3 | INCLUDES ITEMS W/@ |
| 6 | 37213 | RESERVOIR, 350 ML, HYDROGEAR 71327 | 1 | |
| 7 | 22021 | SCREW, HHFS M8-1.25x20MM TENSILOK PATCH | 2 | |
| 8 | 23275-02 | ELEMENT, 10 MICRON FILTER | 1 | |
| 9 | 23275-04 | HEAD, 4" FILTER W/ INDICATOR, 5PSI BYP | 1 | |
| 10 | 4196 | SCREW 3/8-16 X .75 | 4 | |
| 11 | 23034 | VALVE, PILOT OPERATED RELIEF | 1 | |
| 12 | 23265 | COUPLING, 6MO-6MO | 1 | |
| 13 | 0166 A | WASHER, LOCK 3/8MD | 4 | |
| 14@ | 23260 | ROD END, 1/2-20 M RH W/CUSTOM BALL | 6 | |
| 15@ | 11146 | NUT, HEX JAM 1/2-20 PLATED | 6 | |
| 16@ | 23261 | SPACER, HHX STEERING CYLINDER | 3 | |
| 17@ | 12056 | CYLINDER, 2.5" BORE X 1.5" STROKE X .75" ROD | 3 | |

HYDRAULIC STEERING ASSY.



HYDRAULIC STEERING ASSY.

| <u>NO.</u> | <u>PART NO.</u> | <u>PART NAME</u> | <u>QTY.</u> | <u>REMARKS</u> |
|------------|-----------------|--|-------------|----------------|
| 1 | 23248-06 | HOSE, 44.937" LP #6 6FJ ST - 6FJ 45 | 1 | |
| 2 | 11722 | FITTING, 90 6MJ-6MO | 5 | |
| 3 | 23251-03 | HOSE, 47.562" LP #6 6FJ ST - 6FJ 90 | 1 | |
| 4 | 367470 | FITTING, STR 4MJ - 6MO | 1 | |
| 5 | 23251-04 | HOSE, 58.750" LP #4 4FJ 90 - 4FJ ST | 1 | |
| 6 | 11721 | FITTING, STR 6MJ-6MO | 4 | |
| 7 | 23248-07 | HOSE, 61.625" LP #6 6FJ 90 - 6FJ ST | 1 | |
| 8 | 23273 | FITTING, 45 6MO-4MJ | 1 | |
| 9 | 23251-05 | HOSE, 60.00" LP #4 4FJ 90 - 4FJ ST | 1 | |
| 10 | 23272 | FITTING, XL90-6MO-6MJ | 1 | |
| 11 | 23251-02 | HOSE, 41.20" LP #6 6FJ ST - 6FJ 90 | 1 | |
| 12 | 11725 | FITTING, STR 6MJ - 1/4MP | 6 | |
| 13 | 23268 | FITTING, 90 12MO-10BARB | 1 | |
| 14 | 23119 | CLAMP, HOSE WORM LINED S.S. 3/4" X 1-1/8 | 4 | |
| 15 | 23248-01 | HOSE, BRADED SUCTION #10, 7" | 1 | |
| 16 | 23269 | FITTING, STR 10MO-10BARB | 1 | |
| 17 | 23267 | FITTING, STR 12MO-10BARB | 2 | |
| 18 | 23248-02 | HOSE, BRADED SUCTION 10.5" | 1 | |
| 19 | 23271 | FITTING, PLUG 12MO MAG | 1 | |
| 20 | 23264 | FITTING, TEE 12MO-12FO-12FO RUN | 1 | |
| 22 | 23248-05 | HOSE, 50.375" LP #6 6FP 90 - 6FJ ST | 1 | |
| 23 | 23248-03 | HOSE, 19.50" 6FJ 90 - 6FJ 90 | 1 | |
| 24 | 23270 | FITTING, CROSS 6MJ-6MJ-6MJ-6MJ | 1 | |
| 25 | 367601 | FITTING, STR 6FJ - 6MO | 1 | |
| 26 | 26791 | FITTING, 90 6MJ - 10MO WMS DA | 1 | |
| 27 | 23248-04 | HOSE, 56.875" LP #6 6FJ ST - 6FJ 90 | 1 | |
| 30 | 12147 | FITTING, QD 6MO DIAGN PARKER PD361 | 1 | |
| 31 | 23251-01 | HOSE, 43.312" LP #6 6FJ ST - 6FJ 90 | 2 | |
| 33 | 23247-01 | HOSE, LOW PRESSURE GPH-8 | 2 | |
| 35 | 23266 | FITTING, 90 6MO-8BARB | 2 | |
| 37 | 368657 | FITTING, PLUG 12MO | 1 | |
| 38 | 37421 | 5/8" CLAMP, BEHRINGER T2062-PP | 6 | |
| 39 | 37420 | 1/2" CLAMP, BEHRINGER T2050-PP | 2 | |
| 40 | 37424 | COVER PLATE, BEHRINGER TCP-12 | 6 | |
| 41 | 2623 | SCREW, HHC 5/16-18 X 1-1/4 | 4 | |
| 42 | 37423 | STACK BOLT, BEHRINGER STB-T2 | 2 | |
| 43 | 13212 | GROMMET, 1-1/4 ID | 2 | |
| 44 | 0105 | SCREW, HHC 5/16-18 X 1-1/2 | 2 | |
| 45 | 0300 B | WASHER, FLAT SAE 5/16 | 2 | |

TERMS AND CONDITIONS OF SALE — PARTS

PAYMENT TERMS

Terms of payment for parts are net 30 days.

FREIGHT POLICY

All parts orders will be shipped collect or prepaid with the charges added to the invoice. All shipments are F.O.B. point of origin. Multiquip's responsibility ceases when a signed manifest has been obtained from the carrier, and any claim for shortage or damage must be settled between the consignee and the carrier.

MINIMUM ORDER

The minimum charge for orders from Multiquip is \$15.00 net. Customers will be asked for instructions regarding handling of orders not meeting this requirement.

RETURNED GOODS POLICY

Return shipments will be accepted and credit will be allowed, subject to the following provisions:

1. A Returned Material Authorization must be approved by Multiquip prior to shipment.
2. To obtain a Return Material Authorization, a list must be provided to Multiquip Parts Sales that defines item numbers, quantities, and descriptions of the items to be returned.
 - a. The parts numbers and descriptions must match the current parts price list.
 - b. The list must be typed or computer generated.
 - c. The list must state the reason(s) for the return.
 - d. The list must reference the sales order(s) or invoice(s) under which the items were originally purchased.
 - e. The list must include the name and phone number of the person requesting the RMA.
3. A copy of the Return Material Authorization must accompany the return shipment.
4. Freight is at the sender's expense. All parts must be returned freight prepaid to Multiquip's designated receiving point.

5. Parts must be in new and resalable condition, in the original Multiquip package (if any), and with Multiquip part numbers clearly marked.
6. The following items are not returnable:
 - a. Obsolete parts. (If an item is in the price book and shows as being replaced by another item, it is obsolete.)
 - b. Any parts with a limited shelf life (such as gaskets, seals, "O" rings, and other rubber parts) that were purchased more than six months prior to the return date.
 - c. Any line item with an extended dealer net price of less than \$5.00.
 - d. Special order items.
 - e. Electrical components.
 - f. Paint, chemicals, and lubricants.
 - g. Decals and paper products.
 - h. Items purchased in kits.
7. The sender will be notified of any material received that is not acceptable.
8. Such material will be held for five working days from notification, pending instructions. If a reply is not received within five days, the material will be returned to the sender at his expense.
9. Credit on returned parts will be issued at dealer net price at time of the original purchase, less a 15% restocking charge.
10. In cases where an item is accepted, for which the original purchase document can not be determined, the price will be based on the list price that was effective twelve months prior to the RMA date.
11. Credit issued will be applied to future purchases only.

PRICING AND REBATES

Prices are subject to change without prior notice. Price changes are effective on a specific date and all orders received on or after that date will be billed at the revised price. Rebates for price declines and added charges for price increases will not be made for stock on hand at the time of any price change.

Multiquip reserves the right to quote and sell direct to Government agencies, and to Original Equipment Manufacturer accounts who use our products as integral parts of their own products.

SPECIAL EXPEDITING SERVICE

A \$35.00 surcharge will be added to the invoice for special handling including bus shipments, insured parcel post or in cases where Multiquip must personally deliver the parts to the carrier.

LIMITATIONS OF SELLER'S LIABILITY

Multiquip shall not be liable hereunder for damages in excess of the purchase price of the item with respect to which damages are claimed, and in no event shall Multiquip be liable for loss of profit or good will or for any other special, consequential or incidental damages.

LIMITATION OF WARRANTIES

No warranties, express or implied, are made in connection with the sale of parts or trade accessories nor as to any engine not manufactured by Multiquip. Such warranties made in connection with the sale of new, complete units are made exclusively by a statement of warranty packaged with such units, and Multiquip neither assumes nor authorizes any person to assume for it any other obligation or liability whatever in connection with the sale of its products. Apart from such written statement of warranty, there are no warranties, express, implied or statutory, which extend beyond the description of the products on the face hereof.

Effective: February 22, 2006

PARTS MANUAL

HERE'S HOW TO GET HELP

PLEASE HAVE THE MODEL AND SERIAL
NUMBER ON-HAND WHEN CALLING

UNITED STATES

Multiquip Corporate Office

18910 Wilmington Ave.
Carson, CA 90746
Contact: mq@multiquip.com

Tel: (800) 421-1244
Fax (310) 537-3927

Service Department

800-421-1244
310-537-3700

Fax: 310-537-4259

Technical Assistance

800-478-1244

Fax: 310-943-2238

MQ Parts Department

800-427-1244
310-537-3700

Fax: 800-672-7877
Fax: 310-637-3284

Warranty Department

800-421-1244
310-537-3700

Fax: 310-943-2249

MEXICO

MQ Cipsa

Carr. Fed. Mexico-Puebla KM 126.5
Momoxpan, Cholula, Puebla 72760 Mexico
Contact: pmastretta@cipsa.com.mx

Tel: (52) 222-225-9900
Fax: (52) 222-285-0420

CANADA

Multiquip

4110 Industriel Boul.
Laval, Quebec, Canada H7L 6V3
Contact: jmartin@multiquip.com

Tel: (450) 625-2244
Tel: (877) 963-4411
Fax: (450) 625-8664

UNITED KINGDOM

Multiquip (UK) Limited Head Office

Unit 2, Northpoint Industrial Estate,
Globe Lane,
Dukinfield, Cheshire SK16 4UJ
Contact: sales@multiquip.co.uk

Tel: 0161 339 2223
Fax: 0161 339 3226

© COPYRIGHT 2013, MULTIQUIP INC.

Multiquip Inc, the MQ logo and the Whiteman logo are registered trademarks of Multiquip Inc. and may not be used, reproduced, or altered without written permission. All other trademarks are the property of their respective owners and used with permission.

This manual MUST accompany the equipment at all times. This manual is considered a permanent part of the equipment and should remain with the unit if resold.

The information and specifications included in this publication were in effect at the time of approval for printing. Illustrations, descriptions, references and technical data contained in this manual are for guidance only and may not be considered as binding. Multiquip Inc. reserves the right to discontinue or change specifications, design or the information published in this publication at any time without notice and without incurring any obligations.

Your Local Dealer is:



Free Manuals Download Website

<http://myh66.com>

<http://usermanuals.us>

<http://www.somanuals.com>

<http://www.4manuals.cc>

<http://www.manual-lib.com>

<http://www.404manual.com>

<http://www.luxmanual.com>

<http://aubethermostatmanual.com>

Golf course search by state

<http://golfingnear.com>

Email search by domain

<http://emailbydomain.com>

Auto manuals search

<http://auto.somanuals.com>

TV manuals search

<http://tv.somanuals.com>