

# PARTS MANUAL



***WHITEMAN* SERIES**  
**MODEL HTX-44K4**  
**MODEL HTX-44K5**  
**MODEL HTX-44Y4**  
**MODEL HTX-44Y5**  
**RIDE-ON POWER TROWEL**  
**(KUBOTA/YANMAR DIESEL ENGINE)**

Revision #18 (08/28/12)

To find the latest revision of this  
publication, visit our website at:  
[www.multiquip.com](http://www.multiquip.com)



**THIS MANUAL MUST ACCOMPANY THE EQUIPMENT AT ALL TIMES.**

**P/N 21658**



## WARNING



### **CALIFORNIA — Proposition 65 Warning**

Engine exhaust and some of its constituents, and some dust created by power sanding, sawing, grinding, drilling and other construction activities contains chemicals known to the State of California to cause cancer, birth defects and other reproductive harm. Some examples of these chemicals are:

- Lead from lead-based paints.
- Crystalline silica from bricks.
- Cement and other masonry products.
- Arsenic and chromium from chemically treated lumber.

Your risk from these exposures varies, depending on how often you do this type of work. To reduce your exposure to these chemicals: **ALWAYS** work in a well ventilated area, and work with approved safety equipment, such as dust masks that are specially designed to filter out microscopic particles.

## **WARNING**



### **SILICOSIS WARNING**

Grinding/cutting/drilling of masonry, concrete, metal and other materials with silica in their composition may give off dust or mists containing crystalline silica. Silica is a basic component of sand, quartz, brick clay, granite and numerous other minerals and rocks. Repeated and/or substantial inhalation of airborne crystalline silica can cause serious or fatal respiratory diseases, including silicosis. In addition, California and some other authorities have listed respirable crystalline silica as a substance known to cause cancer. When cutting such materials, always follow the respiratory precautions mentioned above.

## **WARNING**



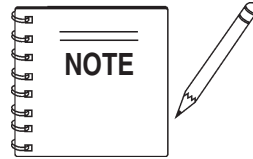
### **RESPIRATORY HAZARDS**

Grinding/cutting/drilling of masonry, concrete, metal and other materials can generate dust, mists and fumes containing chemicals known to cause serious or fatal injury or illness, such as respiratory disease, cancer, birth defects or other reproductive harm. If you are unfamiliar with the risks associated with the particular process and/or material being cut or the composition of the tool being used, review the material safety data sheet and/or consult your employer, the material manufacturer/supplier, governmental agencies such as OSHA and NIOSH and other sources on hazardous materials. California and some other authorities, for instance, have published lists of substances known to cause cancer, reproductive toxicity, or other harmful effects.

Control dust, mist and fumes at the source where possible. In this regard use good work practices and follow the recommendations of the manufacturers or suppliers, OSHA/NIOSH, and occupational and trade associations. Water should be used for dust suppression when wet cutting is feasible. When the hazards from inhalation of dust, mists and fumes cannot be eliminated, the operator and any bystanders should always wear a respirator approved by NIOSH/MSHA for the materials being used.

# HTX-44K/Y RIDE-ON TROWEL — TABLE OF CONTENTS

## MQ WHITEMAN HTX-44K/Y RIDE-ON POWER TROWEL (KUBOTA/YANMAR ENGINE)



*Specification and part number  
are subject to change without  
notice.*

|  |       |
|--|-------|
| Table of Contents .....  | 4     |
| Parts Ordering Procedures .....                                | 5     |
| Explanation Of Code In Remarks Column .....                    | 6     |
| Suggested Spare Parts .....                                    | 7     |
| Nameplate and Decals .....                                     | 8-9   |
| Frame Assembly .....   | 10-11 |
| Platform Assembly .....  | 12-13 |
| Cooler Valve Bypass Assembly .....                             | 14-15 |
| Hydraulic Assembly .....                                       | 16-19 |
| Burp Tank/Suction Filter Assembly .....                        | 20-21 |
| Pump Levers Assembly .....                                     | 22-23 |
| Engine Assembly (KUBOTA) .....                                 | 24-25 |
| Engine Assembly (YANMAR) .....                                 | 26-29 |
| Pivot Assembly .....   | 30-31 |
| 5-Blade Stabilizer Ring Assembly .....                         | 32-33 |
| 4-Blade Stabilizer Ring Assembly .....                         | 34-35 |
| 5-Blade Spider Assembly (Tapered LH) .....                     | 36-37 |
| 5-Blade Spider Assembly (Tapered RH) .....                     | 38-39 |
| 4-Blade Spider Assembly (Tapered LH) .....                     | 40-41 |
| 4-Blade Spider Assembly (Tapered RH) .....                     | 42-43 |
| Seat Frame Assembly (KUBOTA) .....                             | 44-45 |
| Seat Frame Assembly (YANMAR) .....                             | 46-47 |
| Front Panel Assembly (Right-Side) .....                        | 48-49 |
| Frame Assembly (Right-Front) .....                             | 50-51 |
| Frame Assembly (Right-Rear) .....                              | 52-53 |
| Frame Assembly (Left-Front/Rear) .....                         | 54-55 |
| Right-Hand Valve Assy. KUBOTA S/N 2000885 & BELOW .....        | 56-57 |
| Right-Hand Valve Assy. KUBOTA/YANMAR S/N 2000886 & ABOVE ..... | 58-59 |
| Left-Hand Valve Assembly .....                                 | 60-61 |
| Spray Assembly .....   | 62-63 |
| Fuel Tank Assembly (KUBOTA) .....                              | 64-65 |
| Fuel Tank Assembly (YANMAR) .....                              | 66-67 |
| Battery Assembly .....   | 68-69 |
| Electrical Wiring Diagram .....                                | 70    |
| Hydraulic Diagram .....  | 71    |
| Terms and Conditions of Sale .....                             | 72    |

# PARTS ORDERING PROCEDURES

## Ordering parts has never been easier! Choose from three easy options:

Effective:  
January 1<sup>st</sup>, 2006

www.multiquip.com



### Order via Internet (Dealers Only):

Order parts on-line using Multiquip's SmartEquip website!

- View Parts Diagrams
- Order Parts
- Print Specification Information



If you have an MQ Account, to obtain a Username and Password, E-mail us at: [parts@multiquip.com](mailto:parts@multiquip.com).

To obtain an MQ Account, contact your District Sales Manager for more information.

Goto [www.multiquip.com](http://www.multiquip.com) and click on **Order Parts** to log in and save!

Use the **internet** and qualify for a **5% Discount** on *Standard orders* for all orders which include complete part numbers.\*

Note: Discounts Are Subject To Change



### Order via Fax (Dealers Only):

All customers are welcome to order parts via Fax.

**Domestic (US) Customers dial:**  
1-800-6-PARTS-7 (800-672-7877)

**Fax** your order in and qualify for a **2% Discount** on *Standard orders* for all orders which include complete part numbers.\*

Note: Discounts Are Subject To Change



**Order via Phone: Domestic (US) Dealers Call:**  
1-800-427-1244

### Non-Dealer Customers:

Contact your local Multiquip Dealer for parts or call 800-427-1244 for help in locating a dealer near you.



**International Customers** should contact their local Multiquip Representatives for Parts Ordering information.

## When ordering parts, please supply:

- |   |  |
|---|--|
| <input type="checkbox"/> Dealer Account Number                                | <input type="checkbox"/> Specify Preferred Method of Shipment:                         |
| <input type="checkbox"/> Dealer Name and Address                              | <input checked="" type="checkbox"/> UPS/Fed Ex <input checked="" type="checkbox"/> DHL |
| <input type="checkbox"/> Shipping Address (if different than billing address) | <input type="checkbox"/> Priority One <input checked="" type="checkbox"/> Truck        |
| <input type="checkbox"/> Return Fax Number                                    | <input type="checkbox"/> Ground  |
| <input type="checkbox"/> Applicable Model Number                              | <input type="checkbox"/> Next Day  |
| <input type="checkbox"/> Quantity, Part Number and Description of Each Part   | <input type="checkbox"/> Second/Third Day  |

### NOTICE

All orders are treated as *Standard Orders* and will ship the same day if received prior to 3PM PST.

WE ACCEPT ALL MAJOR CREDIT CARDS!



# EXPLANATION OF CODE IN REMARKS COLUMN

The following section explains the different symbols and remarks used in the Parts section of this manual. Use the help numbers found on the back page of the manual if there are any questions.

## NOTICE

The contents and part numbers listed in the parts section are subject to change **without notice**. Multiquip does not guarantee the availability of the parts listed.

## SAMPLE PARTS LIST

| NO. | PART NO. | PART NAME           | QTY. | REMARKS             |
|-----|----------|---------------------|------|---------------------|
| 1   | 12345    | BOLT.....           | 1    | INCLUDES ITEMS W/%  |
| 2%  |          | WASHER, 1/4 IN..... |      | NOT SOLD SEPARATELY |
| 2%  | 12347    | WASHER, 3/8 IN....  | 1    | MQ-45T ONLY         |
| 3   | 12348    | HOSE .....          | A/R  | MAKE LOCALLY        |
| 4   | 12349    | BEARING .....       | 1    | S/N 2345B AND ABOVE |

## NO. Column

**Unique Symbols** — All items with same unique symbol

(@, #, +, %, or >) in the number column belong to the same assembly or kit, which is indicated by a note in the “Remarks” column.

**Duplicate Item Numbers** — Duplicate numbers indicate multiple part numbers, which are in effect for the same general item, such as different size saw blade guards in use or a part that has been updated on newer versions of the same machine.

## NOTICE

When ordering a part that has more than one item number listed, check the remarks column for help in determining the proper part to order.

## PART NO. Column

**Numbers Used** — Part numbers can be indicated by a number, a blank entry, or TBD.

TBD (To Be Determined) is generally used to show a part that has not been assigned a formal part number at the time of publication.

A blank entry generally indicates that the item is not sold separately or is not sold by Multiquip. Other entries will be clarified in the “Remarks” Column.

## QTY. Column

**Numbers Used** — Item quantity can be indicated by a number, a blank entry, or A/R.

A/R (As Required) is generally used for hoses or other parts that are sold in bulk and cut to length.

A blank entry generally indicates that the item is not sold separately. Other entries will be clarified in the “Remarks” Column.

## REMARKS Column

Some of the most common notes found in the “Remarks” Column are listed below. Other additional notes needed to describe the item can also be shown.

**Assembly/Kit** — All items on the parts list with the same unique symbol will be included when this item is purchased.

Indicated by:

“INCLUDES ITEMS W/(unique symbol)”

**Serial Number Break** — Used to list an effective serial number range where a particular part is used.

Indicated by:

“S/N XXXXX AND BELOW”

“S/N XXXX AND ABOVE”

“S/N XXXX TO S/N XXX”

**Specific Model Number Use** — Indicates that the part is used only with the specific model number or model number variant listed. It can also be used to show a part is NOT used on a specific model or model number variant.

Indicated by:

“XXXXX ONLY”

“NOT USED ON XXXX”

**“Make/Obtain Locally”** — Indicates that the part can be purchased at any hardware shop or made out of available items. Examples include battery cables, shims, and certain washers and nuts.

**“Not Sold Separately”** — Indicates that an item cannot be purchased as a separate item and is either part of an assembly/kit that can be purchased, or is not available for sale through Multiquip.

# HTX-44K/Y RIDE-ON TROWEL— SUGGESTED SPARE PARTS

## HTX-44K RIDE-ON TROWEL

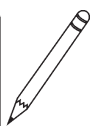
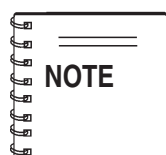
### 1 TO 3 UNITS WITH KUBOTA TURBO DIESEL ENGINE

| Qty. | P/N        | Description                      |
|------|------------|----------------------------------|
| 4    | 20673      | LATCH, RUBBER HOOD               |
| 2    | 20674      | GRAB HANDLE                      |
| 1    | 11098      | CIRCUIT BREAKER                  |
| 1    | 12017      | RELAY, KILL                      |
| 1    | 21470      | SWITCH, ON-OFF                   |
| 1    | 20165      | PALM HANDLE KIT                  |
| 2    | 12548      | PUMP SPRAY                       |
| 10   | 21597      | BUMPER                           |
| 5    | 21468      | KNOB                             |
| 1    | 21341      | CABLE, CONTROL THUMB RELEASE 46" |
| 4    | 21052      | LIGHT                            |
| 1    | 10568      | THROTTLE CABLE                   |
| 2    | 2829       | ARM TROWEL                       |
| 6    | 11039      | BUSHING                          |
| 3    | 2143       | SPRING, R.S.                     |
| 3    | 9111       | SPRING, L.S.                     |
| 1    | 21211      | SPIDER, SERVICE KIT, 5-BLADE     |
| 1    | 21751      | SPIDER, SERVICE KIT, 4-BLADE     |
| 2    | 20938      | THRUST COLLAR KIT                |
| 2    | 21231      | ISOLATOR                         |
| 1    | 21301      | PUMP ROD                         |
| 1    | 12056      | STEERING CYLINDER                |
| 1    | 20652      | CYLINDER PITCH                   |
| 2    | 21107      | SUCTION FILTER                   |
| 2    | 21266      | BEARING BLOCK ASSY. RH           |
| 2    | 21267      | BEARING BLOCK ASSY. LH           |
| 2    | 1627132090 | OIL FILTER                       |
| 2    | 7000043081 | FUEL FILTER                      |
| 2    | 1735111083 | AIR CLEANER ELEMENT (KUBOTA)     |
| 1    | 406021     | GAUGE, ENGINE STATUS             |
| 2    | 1628297010 | FAN BELT                         |
| 1    | 20511      | IGNITION SWITCH                  |
| 2    | 12940      | IGNITION KEY ONLY                |

## HTX-44Y RIDE-ON TROWEL

### 1 TO 3 UNITS WITH YANMAR TURBO DIESEL ENGINE

| Qty. | P/N          | Description                         |
|------|--------------|-------------------------------------|
| 20   | 11534        | U-TYPE NUT                          |
| 2    | 20674        | GRAB HANDLE                         |
| 1    | 11098        | CIRCUIT BREAKER                     |
| 1    | 21870        | RELAY, KILL SWITCH                  |
| 1    | 21470        | SWITCH, ON-OFF                      |
| 1    | 20165        | PALM HANDLE KIT                     |
| 2    | 12548        | PUMP SPRAY                          |
| 10   | 21597        | BUMPER                              |
| 5    | 21468        | KNOB                                |
| 1    | 21341        | CABLE, CONTROL THUMB RELEASE 46"    |
| 4    | 21052        | LIGHT                               |
| 1    | 10568        | THROTTLE CABLE                      |
| 2    | 2829         | ARM TROWEL                          |
| 6    | 1207         | SCREW, HHC 5/16-18X1-3/4 TROWEL ARM |
| 6    | 11039        | BUSHING                             |
| 6    | 2143         | SPRING, R.S.                        |
| 3    | 9111         | SPRING, L.S.                        |
| 1    | 21212        | SPIDER, SERVICE KIT                 |
| 2    | 20939        | THRUST COLLAR KIT                   |
| 2    | 21231        | ISOLATOR                            |
| 1    | 21301        | PUMP ROD                            |
| 1    | 12056        | STEERING CYLINDER                   |
| 1    | 20652        | CYLINDER PITCH                      |
| 2    | 21107        | SUCTION FILTER                      |
| 2    | 21266        | BEARING BLOCK ASSY.                 |
| 2    | 129150-35152 | OIL FILTER                          |
| 2    | 119802-55800 | FUEL FILTER                         |
| 1    | 21741        | FUEL PUMP                           |
| 1    | 406021       | INDICATOR, ENGINE STATUS            |
| 2    | P822768      | AIR CLEANER CARTRIDGE               |
| 2    | 119865-42290 | FAN BELT                            |
| 1    | 1E01363590   | IGNITION SWITCH                     |
| 2    | 12627        | IGNITION KEY ONLY                   |
| 1    | 68900479     | UPPER RADIATOR HOSE                 |
| 1    | 68900480     | LOWER RADIATOR HOSE                 |

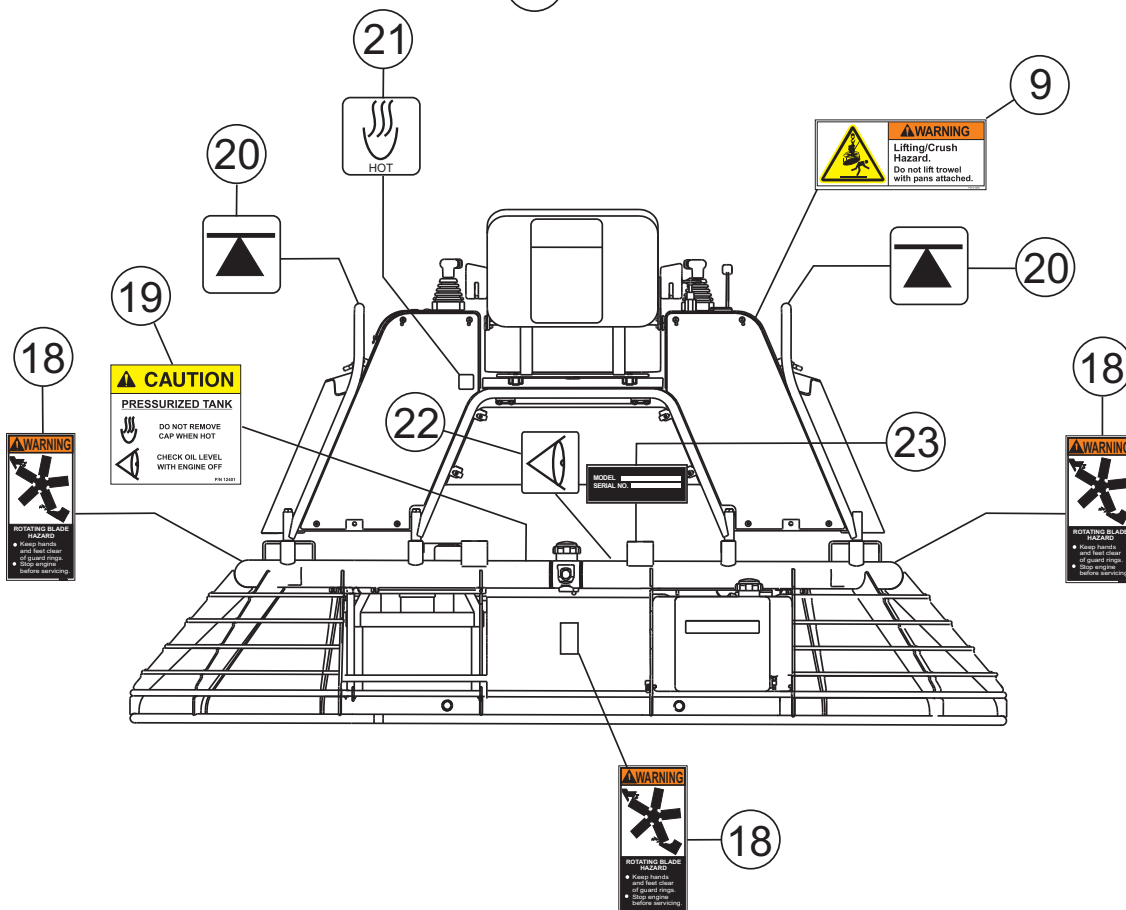
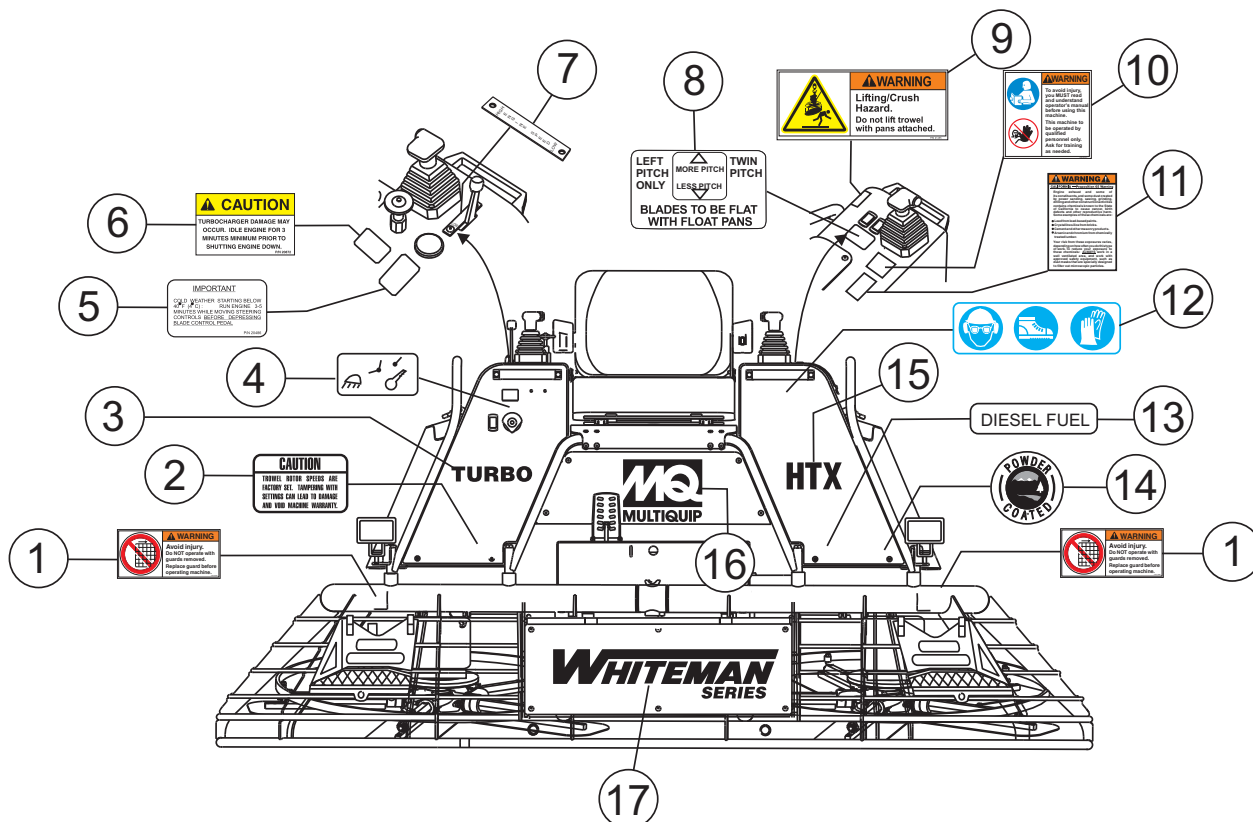


Part numbers on this Suggested Spare Parts List may supercede/replace the P/N's shown in the test pages of this manual.



# HTX-44K/Y RIDE-ON TROWEL — NAMEPLATE AND DECALS.

## NAMEPLATE AND DECALS.





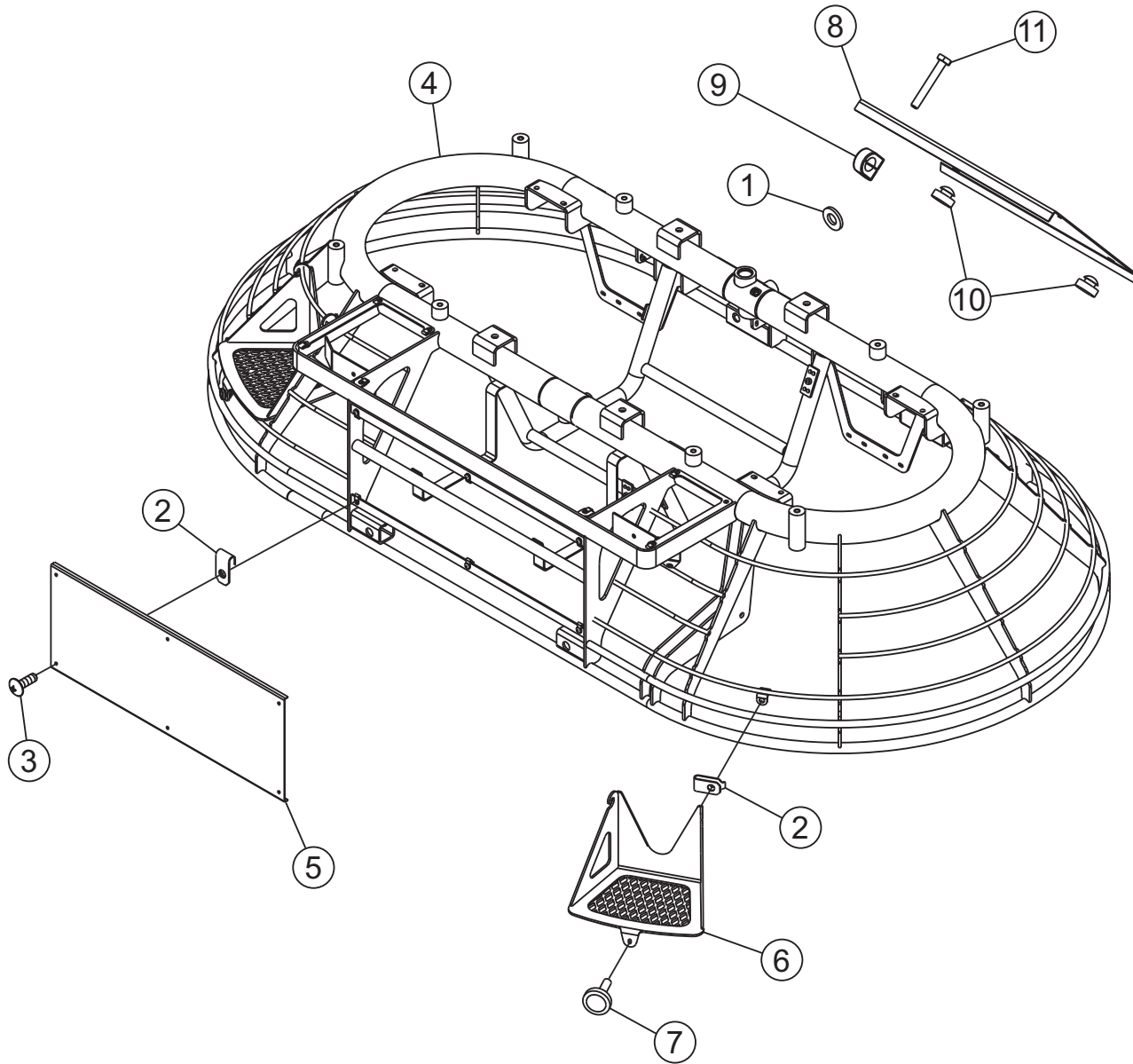
# HTX-44K/Y RIDE-ON TROWEL — NAMEPLATE AND DECALS.

## NAMEPLATE AND DECALS.

| <u>NO.</u> | <u>PART NO.</u> | <u>PART NAME</u>                             | <u>QTY.</u> | <u>REMARKS</u>          |
|------------|-----------------|--|-------------|-------------------------|
| 1          | 21665           | DECAL, WARNING, REPLACE GUARDS .....         | 2 .....     | SAFETY ITEM             |
| 2          | 20953           | DECAL, CAUTION ROTOR SPEED SETTING .....     | 1 .....     | SAFETY ITEM             |
| 3          | 21590           | DECAL, TURBO LOGO                            | 1           |                         |
| 4          | 2814            | DECAL, LIGHT, IGNITION SWITCH                | 1           |                         |
| 5          | 20486           | DECAL, HYDRAULIC RIDER COLD START            | 1           |                         |
| 6          | 20872           | DECAL, CAUTION TURBOCHARGER .....            | 1 .....     | SAFETY ITEM             |
| 7          | 11712           | DECAL, ENGINE SPEED PLATE                    | 1           |                         |
| 8          | 21169           | DECAL, BLADE PITCH                           | 1           |                         |
| 9          | 21455           | DECAL, WARNING, LIFT CRUSH HAZARD .....      | 1 .....     | SAFETY ITEM             |
| 10         | 35137           | DECAL, WARNING, READ MANUAL .....            | 1 .....     | SAFETY ITEM             |
| 11         | 20525           | DECAL, WARNING, PROPOSITION 65 .....         | 1 .....     | SAFETY ITEM             |
| 12         | 36099           | DECAL, HELMET, BOOT, GLOVES (ISO BLUE) ..... | 1 .....     | SAFETY ITEM             |
| 13         | 11811           | DECAL, DIESEL FUEL                           | 1           |                         |
| 14         | 13118           | DECAL, POWDER COATED                         | 1           |                         |
| 15         | 21580           | DECAL, HTX LOGO                              | 1           |                         |
| 16         | 20936           | DECAL, MQ LOGO                               | 1           |                         |
| 17         | 21589           | DECAL, WHITEMAN LOGO                         | 1           |                         |
| 18         | 35168           | DECAL, WARNING, ROTATING BLADE HAZARD ....   | 3 .....     | SAFETY ITEM             |
| 19         | 12401           | DECAL, CAUTION, PRESSURIZED TANK .....       | 1 .....     | SAFETY ITEM             |
| 20         |                 | DECAL, LIFT POINT .....                      | 2 .....     | PART OF DECAL KIT 11246 |
|            |                 | .....  |             | SAFETY ITEM             |
| 21         |                 | DECAL, HOT SURFACE .....                     | 1 .....     | PART OF DECAL KIT 11246 |
|            |                 | .....  |             | SAFETY ITEM             |
| 22         |                 | DECAL, HYDRAULIC OIL CHECK .....             | 1 .....     | PART OF DECAL KIT 11246 |
|            |                 | .....  |             | SAFETY ITEM             |
| 23         |                 | NAMEPLATE .....                              | 1 .....     | CONTACT MQ PARTS DEPT.  |

# HTX-44K/Y RIDE-ON TROWEL — FRAME ASSY.

FRAME ASSY.



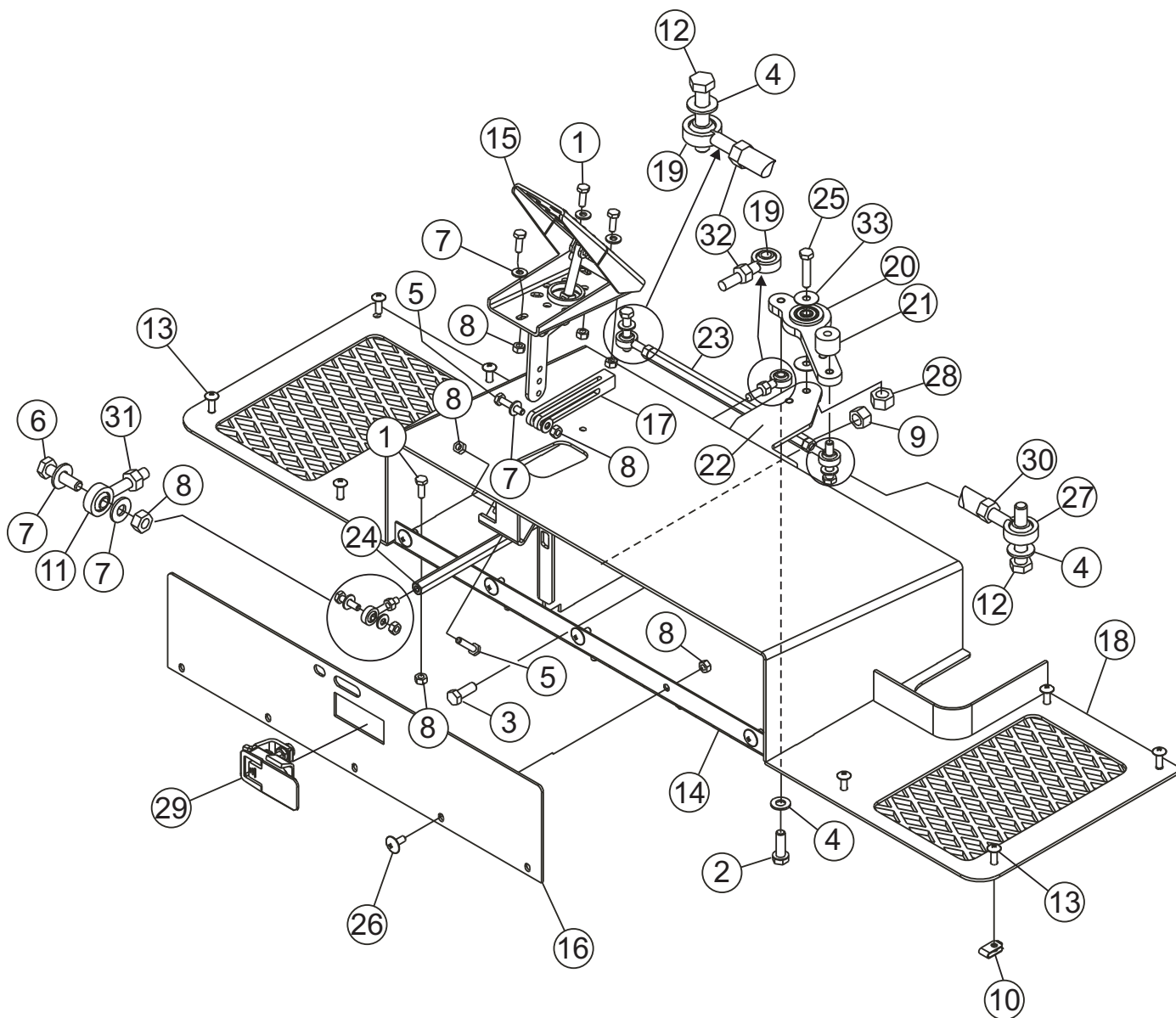
# HTX-44K/Y RIDE-ON TROWEL — FRAME ASSY.

FRAME ASSY.

| <u>NO.</u> | <u>PART NO.</u> | <u>PART NAME</u>                     | <u>QTY.</u> | <u>REMARKS</u> |
|------------|-----------------|--------------------------------------|-------------|----------------|
| 1          | 0948            | WASHER, FLAT, 1/4 SAE                | 4           |                |
| 2          | 11534           | NUT U TYPE 1/4-20                    | 8           |                |
| 3          | 12287           | SCREW, THP 1/4-20 X 3/4 SS           | 6           |                |
| 4          | 20610           | FRAME W/A .....                      | 1           | KUBOTA         |
| 4          | 21935           | FRAME W/A .....                      | 1           | YANMAR         |
| 5          | 20697           | PANEL, FRONT .....                   | 1           | SAFETY ITEM    |
| 6          | 21374           | STEP, W/A .....                      | 2           | SAFETY ITEM    |
| 7          | 21468           | KNOB, PLASTIC 1/4-20 X 1 STUD        | 2           |                |
| 8          | 21471           | GATE, HTHA FRAME REAR .....          | 1           | SAFETY ITEM    |
| 9          | 21490           | CLAMP, TUBE 18MM STAUFF LN4180PP     | 2           |                |
| 10         | 21597           | BUMPER, STEM 1" DIA X .5" STEMx.31TK | 2           |                |
| 11         | 26250           | SCREW, HHC 1/4-20 x 1-3/4            | 2           |                |

# HTX-44K/Y RIDE-ON TROWEL — PLATFORM ASSY.

PLATFORM ASSY.



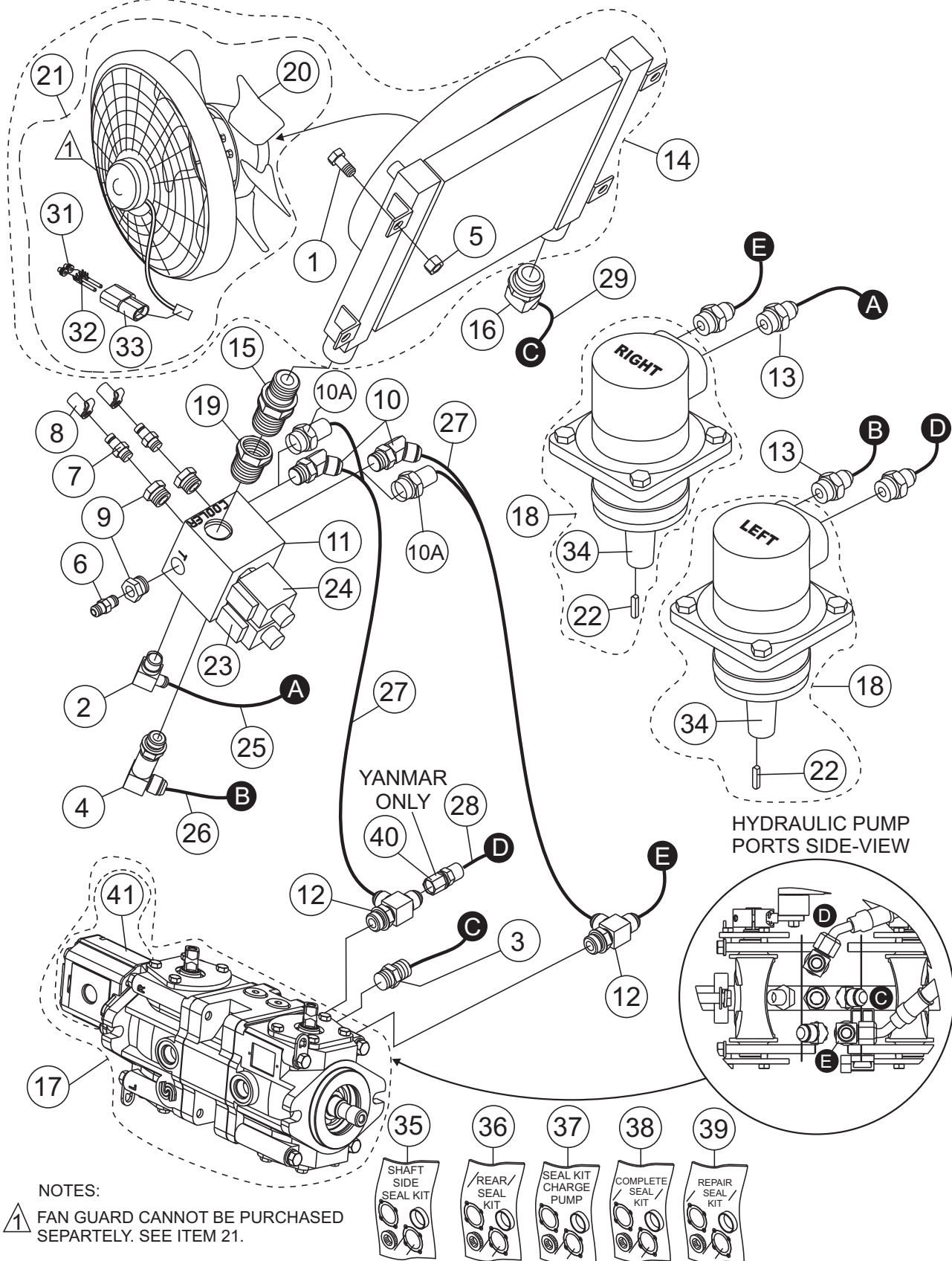
# HTX-44K/Y RIDE-ONTROWEL — PLATFORM ASSY.

## PLATFORM ASSY.

| <u>NO.</u> | <u>PART NO.</u> | <u>PART NAME</u>                 | <u>QTY.</u> | <u>REMARKS</u>     |
|------------|-----------------|----------------------------------|-------------|--------------------|
| 1          | 0131 A          | SCREW, HHC 1/4-20 x 3/4          | 8           |                    |
| 2          | 0202            | SCREW, HHC 5/16-18 X 1           | 1           |                    |
| 3          | 0205            | SCREW, HHC 3/8-16 x 1            | 2           |                    |
| 4          | 0300 B          | WASHER, FLAT 5/16 SAE            | 3           |                    |
| 5          | 0424            | SCREW, HHC 1/4-20 x 1-1/4        | 2           |                    |
| 6          | 0730            | SCREW, HHC 1/4-20 x 1            | 1           |                    |
| 7          | 0948            | WASHER, FLAT 1/4                 | 7           |                    |
| 8          | 10024           | NUT, NYLOC 1/4-20                | 11          |                    |
| 9          | 10133           | NUT, NYLOC 3/8-16                | 2           |                    |
| 10         | 11534           | NUT U-TYPE 1/4-20                | 8           |                    |
| 11         | 11643           | ROD END, 1/4-28 MALE RH          | 1           |                    |
| 12         | 1207            | SCREW, HHC 5/16-18 X 1-3/4       | 2           |                    |
| 13         | 12287           | SCREW, THP 1/4-20 X 3/4 SS       | 8           |                    |
| 14         | 20692           | HINGE, TOOLBOX ACCESS PANEL      | 1           |                    |
| 15         | 20694           | PEDAL, HYDRAULIC PUMP            | 1           |                    |
| 16         | 20698           | DOOR PLATE                       | 1           |                    |
| 17         | 20699           | CLEVIS, PUMP SPEED CONTROL ..... | 1           | KUBOTA             |
| 17         | 21961           | CLEVIS, PUMP SPEED CONTROL ..... | 1           | YANMAR             |
| 18         | 20720           | PLATFORM, OPERATOR W/A           | 1           |                    |
| 19         | 21262           | ROD END, 5/16-24 MALE LH         | 2           |                    |
| 20         | 21389           | LEVER W/A, PUMP CTRL LINKAGE     | 1           |                    |
| 21         | 21391           | SPACER, 1.0 OD X .318 ID X .75L  | 1           |                    |
| 22         | 21392           | MOUNT, PUMP CTRL LEVER PIVOT     | 1           |                    |
| 23         | 21394           | ROD, PUMP CTRL HEX 8.0L .....    | 1           | REPLACES P/N 21394 |
| 24         | 21395           | ROD, PUMP CTRL HEX 12.38L        | 1           |                    |
| 25         | 21583           | SCREW, HHC 5/16-24 X 1-1/2 GRD 8 | 1           |                    |
| 26         | 21611           | SCREW, THP 1/4-20 X 5/8 SS       | 5           |                    |
| 27         | 21614           | ROD END, 5/16-24 MALE RH HD      | 1           |                    |
| 28         | 22016           | NUT, 5/16-18 X .63 PLATED .....  | 1           | REPLACES P/N 2656  |
| 29         | 560020          | LATCH, LIFT AND TURN             | 1           |                    |
| 30         | 6014 C          | NUT, HEX FINISH 5/16-24          | 1           |                    |
| 31         | 6904            | NUT, HEX FINISH 1/4-28           | 1           |                    |
| 32         | 8131            | NUT, HEX FINISH L. H. 5/16-24    | 2           |                    |
| 33         | 933213          | WASHER, FWSH 1 OD X 5/16         | 3           |                    |

# HTX-44K/Y RIDE-ONTROWEL — COOLER/VALVE BYPASS ASSY.

COOLER/VALVE BYPASS ASSY.



**NOTES:**

⚠ FAN GUARD CANNOT BE PURCHASED SEPARTELY. SEE ITEM 21.

# HTX-44K/Y RIDE-ON TROWEL — COOLER/VALVE BYPASS ASSY.

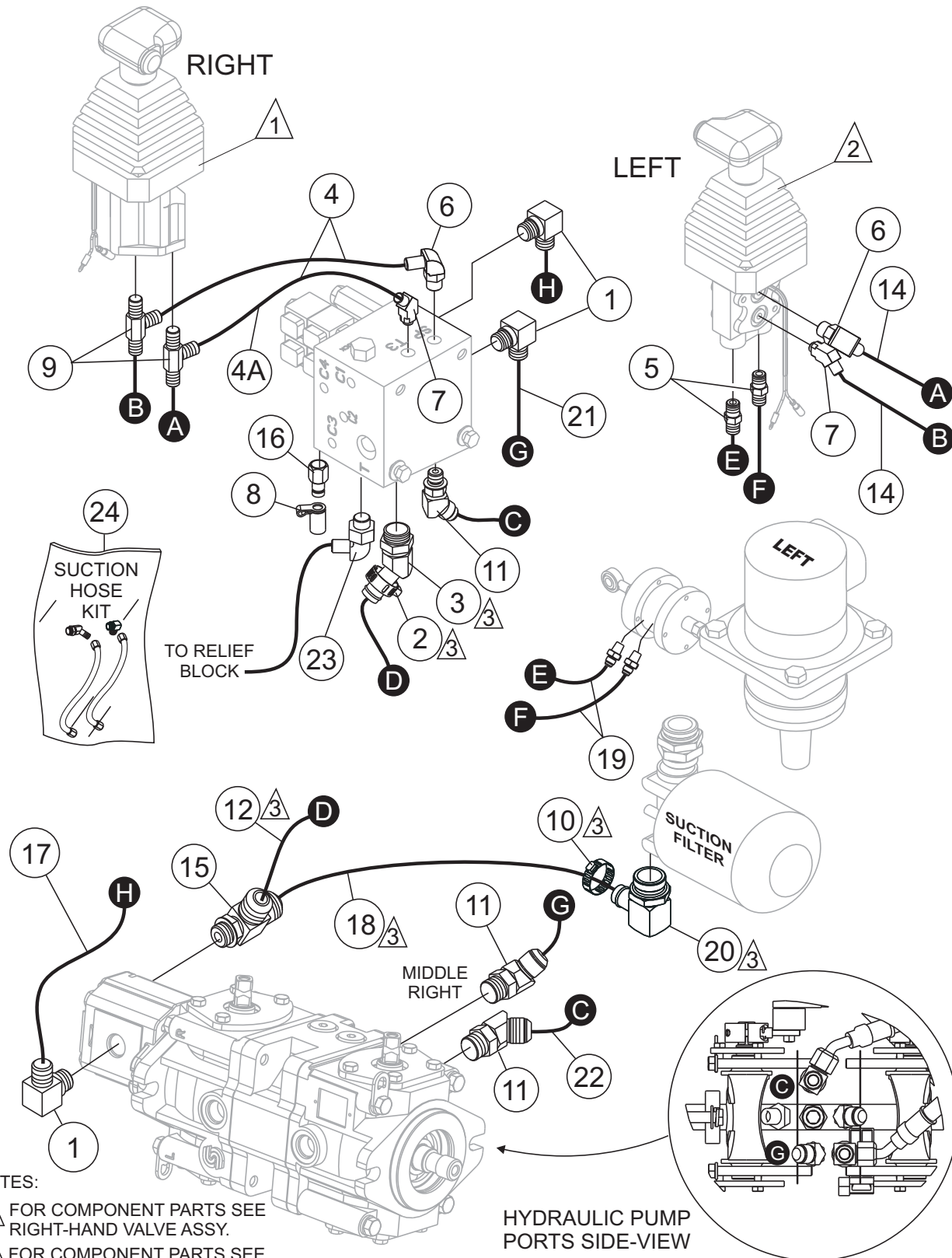
## COOLER/VALVE BYPASS ASSY.

| <u>NO.</u> | <u>PART NO.</u> | <u>PART NAME</u>                         | <u>QTY.</u> | <u>REMARKS</u>                      |
|------------|-----------------|--|-------------|-------------------------------------|
| 1          | 2691            | SCREW, HHC 1/2-13 X 1                    | 4           |                                     |
| 2          | 3322            | FITTING, 90 10MJ-10MO                    | 1           |                                     |
| 3          | 3365            | FITTING, STR 10MJ-10MO                   | 1           |                                     |
| 4          | 3464            | FITTING, 90 10MJ-10MO EXTRA LONG         | 1           |                                     |
| 5          | 10176           | NUT, NYLOC 1/2-13                        | 4           |                                     |
| 6          | 12139           | VALVE, RELIEF DT370 MOMF-125             | 1           |                                     |
| 7          | 12147           | FITTING, QC DIAGN PARKER PD-361          | 2           |                                     |
| 8          | 12148           | CAP, DUST DIAG PARKER PD6-285            | 2           |                                     |
| 9          | 12331           | FITTING, STR 10MO-6FO                    | 2           |                                     |
| 10         | 16336           | FITTING, 45 10MJ-10MO .....              | 2           | KUBOTA                              |
| 10A        | 3365            | FITTING, STR 10MJ-10MO .....             | 2           | YANMAR                              |
| 11         | 21056           | VALVE, HYD BYPASS SEAT SWITCH            | 1           |                                     |
| 12         | 21093           | FITTING, TEE 10MJ-10MJ-10MO RUN          | 2           |                                     |
| 13         | 21096           | FITTING, STR 10MJ-12MO                   | 4           |                                     |
| 14         | 21129           | COOLER, HYD MF15 .....                   | 1           | INCLUDES ITEMS W/*                  |
| 15         | 21130           | FITTING, STR 16MO-16MO ADJ               | 1           |                                     |
| 16         | 21194           | FITTING, 45 12MJ-16MO                    | 1           |                                     |
| 17         | 21287           | PUMP ASSY, TANDEM SAUER M25              | 1           | INCLUDES ITEMS W/>                  |
| 18         | 21289           | MOTOR, HYDRAULIC (EATON) .....           | 2           | S/N 2001367-BELOW INCLS. ITEMS W/\$ |
| 18         | 21855           | MOTOR, HYDRAULIC (SAUER-DANFOSS) .....   | 2           | S/N 2001368-ABOVE INCLS. ITEMS W/+  |
| 19         | 21585           | FITTING, STR 10MO-6FO                    | 1           |                                     |
| 20*#       | 68197           | FAN                                      | 1           |                                     |
| 21*        | 68229           | FAN, MOTOR ASSEMBLY .....                | 1           | INCLUDES ITEMS W/#                  |
| 22\$       | 21770           | KEY, MOTOR, EATON                        | 2           |                                     |
| 22+        | 21899           | KEY, MOTOR, SAUER DANFOSS                | 2           |                                     |
| 23         | 21889           | COIL, PARKER                             | 1           |                                     |
| 24         | 21888           | POPPET SOLENOID                          | 1           |                                     |
| 25         | 21519           | HOSE ASSY., .38 ID X 29L 90 ONE END      | 1           |                                     |
| 26         | 21162           | HOSE ASSY., 1/2" ID X 57.5 LG 45 ONE END | 1           |                                     |
| 27         | 21158           | HOSE ASSY., 1/2" ID X 24 LG STR ENDS     | 3           |                                     |
| 28         | 21161           | HOSE ASSY., 1/2" ID X 44.5 45 END 90 END | 1           |                                     |
| 29         | 21296           | HOSE ASSY., 3/4 ID X 15.25 90 END R4     | 1           |                                     |
| 30         | 21102           | HOSE ASSY., 5/8 ID X 20 LG 45 ENDS       | 1           |                                     |
| 31*#       | 12171           | SEAL, WPACK 16-18                        | 2           |                                     |
| 32*#       | 12179           | TERMINAL, WPACK MALE 14-16GA             | 2           |                                     |
| 33*#       | 12176           | CONNECTOR, WPACK 2PIN SHROUD             | 1           |                                     |
| 34\$       | 202861003       | SHAFT/BEARING HYD. MOTOR, EATON .....    | 2           | S/N 2001367 AND BELOW               |
| 34+        | 11009878        | SHAFT/BEARING HYD. MOTOR, DANFOSS .....  | 2           | S/N 2001368 AND ABOVE               |
| 35%        | 61237000        | SEAL KIT, SHAFTSIDE, EATON .....         | 1           | S/N 2001367 AND BELOW               |
| 36%        | 61238000        | SEAL KIT, REAR, EATON .....              | 1           | S/N 2001367 AND BELOW               |
| 37         | 163S8168        | SEAL KIT, CHARGE PUMP .....              | 1           | SAUER DANFOSS                       |
| 38         | 9900374000      | SEAL KIT, COMPLETE (EATON) .....         | 2           | INCLUDES ITEMS W/%                  |
| 38         | 151B0113        | SEAL KIT, COMPLETE, SAUER DANFOSS .....  | 2           | S/N 2001368 AND ABOVE               |
| 39         | 4510016         | REPAIR/SEAL KIT, PUMP M25 DANFOSS .....  | 1           | S/N 2001368 AND ABOVE               |
| 40         | 21997           | FITTING, STR-10FJ X 10MJ .....           | 1           | YANAMAR ONLY                        |
| 41>        | 163D70517       | CHARGE PUMP, SAUER DANFOSS               | 1           |                                     |



# HTX-44K/Y RIDE-ONTROWEL — HYDRAULIC ASSY.

HYDRAULIC ASSY.



**NOTES:**

- ① FOR COMPONENT PARTS SEE RIGHT-HAND VALVE ASSY.
- ② FOR COMPONENT PARTS SEE LEFT-HAND VALVE ASSY.
- ③ DISCARD ITEMS 2, 3, 12, 18 AND 20 S/N BF2001228 AND BELOW

HYDRAULIC PUMP PORTS SIDE-VIEW

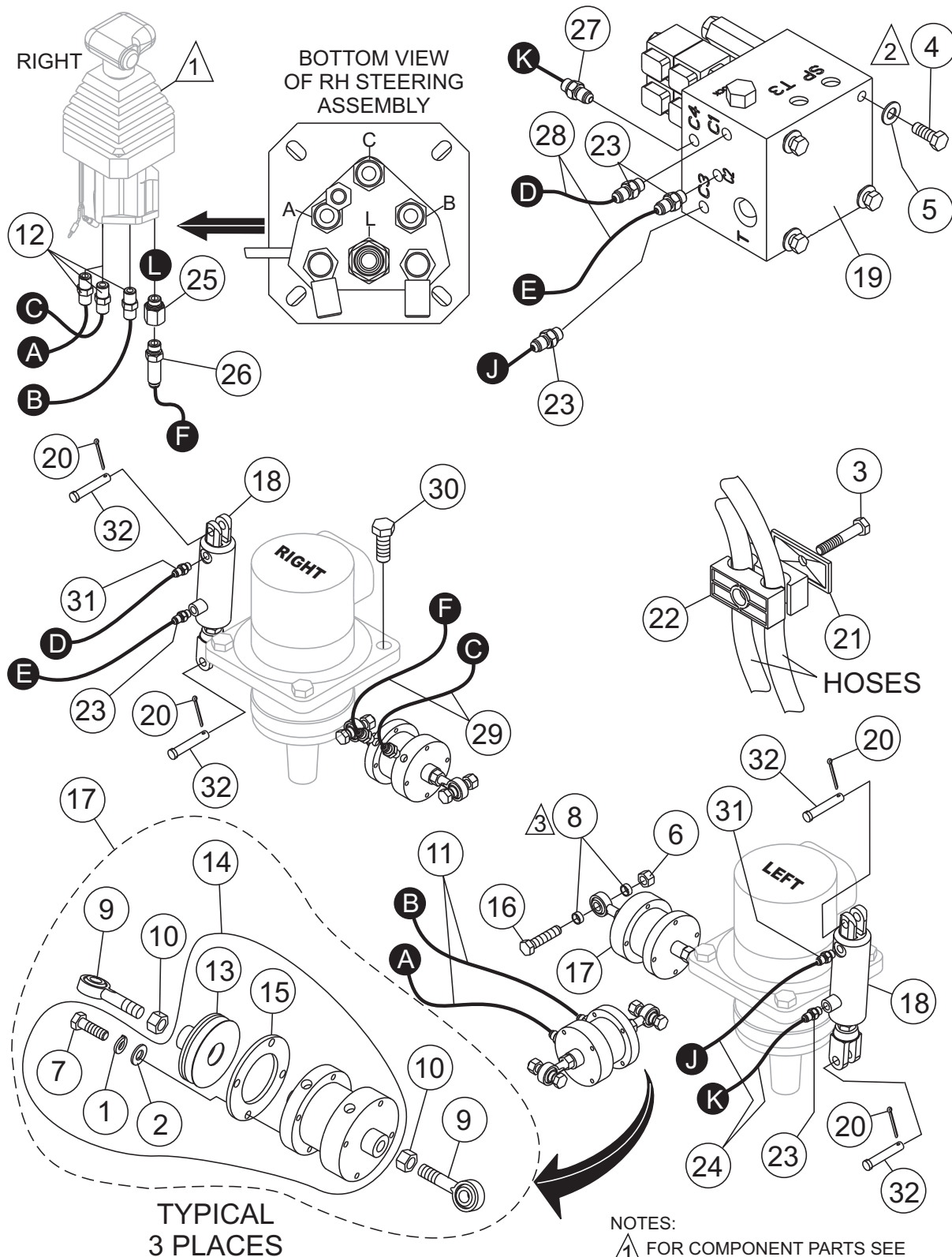
# HTX-44K/Y RIDE-ONTROWEL — HYDRAULIC ASSY.

## HYDRAULIC ASSY.

| <u>NO.</u> | <u>PART NO.</u> | <u>PART NAME</u>                                | <u>QTY.</u> | <u>REMARKS</u>  |
|------------|-----------------|---|-------------|---|
| 1          | 3322            | FITTING,90 10MJ-10MO                            | 3           |   |
| 2          |                 | CLAMP, 1-1/4 HOSE .....                         | 1           | DISCARD S/N BF2001228 & BELOW                               |
| 3          |                 | FITTING, 45 12BARB-12MO .....                   | 1           | REPLACED BY HOSE KIT ITEM 24                                |
| 3*         | 21815           | FITTING, 45 12MJ X-12MO .....                   | 1           | S/N BF2001229 AND ABOVE                                     |
| 4          | 11698           | HOSE ASSY., .38 IDX 15.5 STR ENDS .....         | 2           | KUBOTA  |
| 4          | 21772           | HOSE ASSY., .38 IDX 15.5 STR ENDS .....         | 1           | YANMAR  |
| 4A         | 21771           | HOSE ASSY., .38 IDX 11.5 STR ENDS .....         | 1           | YANMAR  |
| 5          | 11721           | FITTING, STR 6MJ-6MO                            | 2           |   |
| 6          | 11722           | FITTING, 90 6MJ-6MO                             | 2           |   |
| 7          | 11780           | FITTING, 45 6MJ-6MO                             | 2           |   |
| 8          | 12148           | CAP, DUST DIAG PARKER PD6-285                   | 1           |   |
| 9          | 12159           | FITTING,TEE 6MJ-6MO-6MJ                         | 2           |   |
| 10         |                 | CLAMP, HOSE 1-3/4 ID .....                      | 1           | DISCARD S/N BF2001228 & BELOW                               |
| 11         | 16336           | FITTING, 45 10MJ-10MO                           | 3           |   |
| 12         |                 | HOSE ASSY., 3/4 ID X 16.25 -16 STR END R4 ..... | 1           | REPLACED BY HOSE KIT ITEM 24                                |
| 12*        | 21819           | HOSE ASSY., 3/4 ID X 17.50 -16 STR END .....    | 1           | S/N BF2001229 AND ABOVE                                     |
| 13         | 20831           | VALVE ASSY., LH STEERING W/SWITCH               | 1           |   |
| 14         | 21695           | HOSE ASSY., .38 ID X 40 -6FJX-6FJ 90 LONG       | 2           |   |
| 15         | 21595           | FITTING, TEE 16MJ-12MO-16MJ                     | 1           |   |
| 16         | 12546           | FITTING, QD 4MO DIAGN PARKER PD341              | 1           |   |
| 17         | 21146           | HOSE ASSY., .5 ID X 24 LG 45 ONE END            | 1           |   |
| 18         |                 | HOSE ASSY., 1.0 ID X 30L 90 ONE END R4 .....    | 1           | REPLACED BY HOSE KIT ITEM 24                                |
| 18*        | 21818           | HOSE ASSY., 1.0 ID X 30L 90 ONE END .....       | 1           | S/N BF2001229 AND ABOVE                                     |
| 19         | 21201           | HOSE ASSY., .38 ID X 36.5 LG STR ENDS .....     | 2           | KUBOTA  |
| 19         | 21995           | HOSE ASSY., .38 ID X 40.5 LG STR ENDS .....     | 2           | YANMAR  |
| 20         |                 | FITTING, 90 16BARB-20MO .....                   | 1           | REPLACED BY HOSE KIT ITEM 24                                |
| 20*        | 21814           | FITTING, 90 16MJ X -20MO .....                  | 1           | S/N BF2001229 AND ABOVE                                     |
| 21         | 21158           | HOSE ASSY., .5 ID X 22.5 STR ENDS               | 1           |   |
| 22         | 12901           | HOSE ASSY., .5 ID X 16.5 STR END                | 1           |   |
| 23         | 11723           | FITTING, 90 6MJ-8MO                             | 1           |   |
| 24         | 21834           | HTX SUCTION HOSE KIT .....                      | 1           | INCLUDES ITEMS W/* INSTALLED ON UNITS S/N BF2001228 & BELOW |

# HTX-44K/Y RIDE-ON TROWEL — HYDRAULIC ASSY. (CONT.)

## HYDRAULIC ASSY. (CONT.)



- NOTES:
- ① FOR COMPONENT PARTS SEE RIGHT-HAND VALVE ASSY.
  - ② APPLY LOCTITE P/N 4 PLACES
  - ③ ITEM 8 IS NO LONGER REQUIRED. SPACER IS INCLUDED WITH ITEM 9.

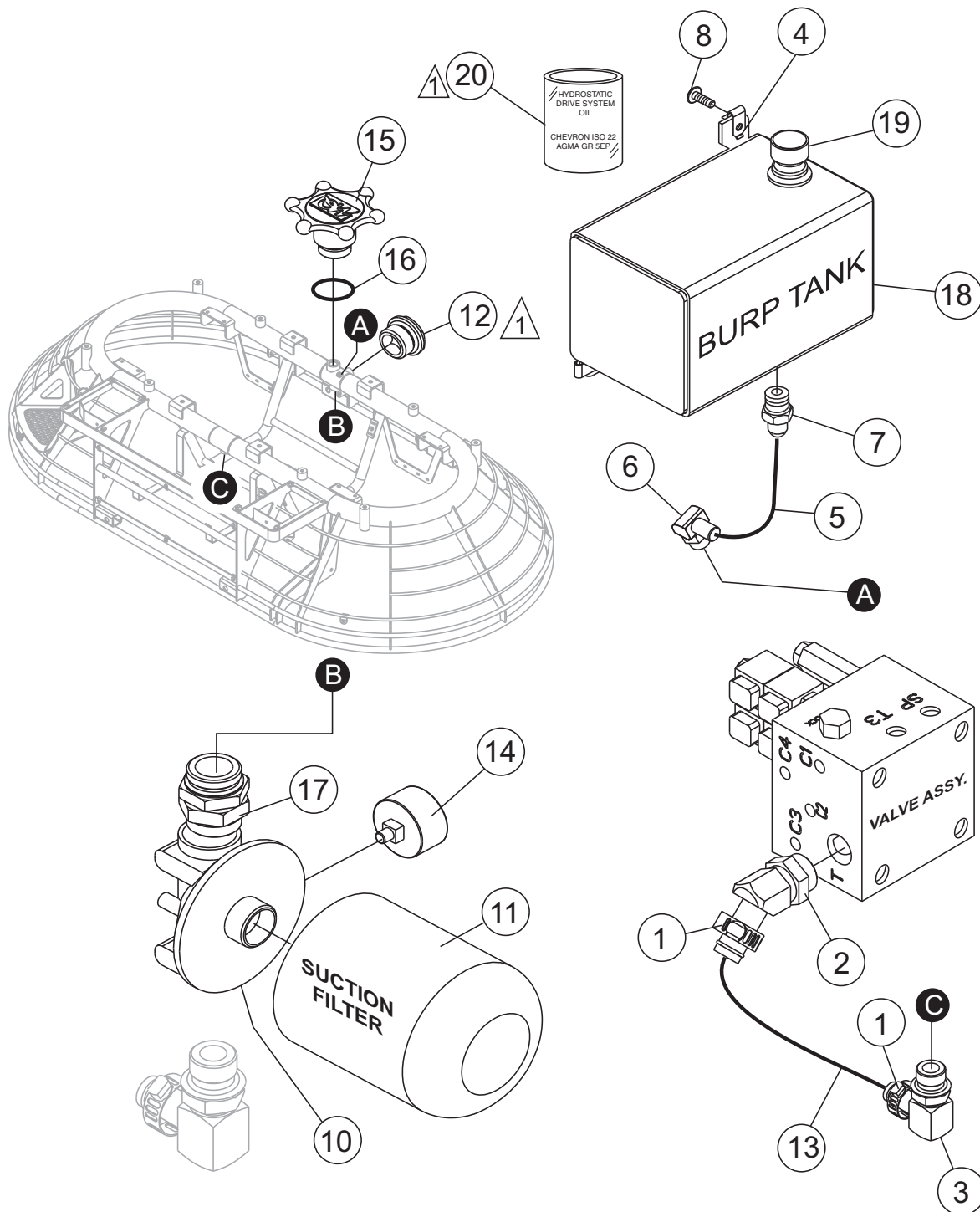
# HTX-44K/Y RIDE-ON TROWEL — HYDRAULIC ASSY. (CONT.)

## HYDRAULIC ASSY. (CONT.)

| <u>NO.</u> | <u>PART NO.</u> | <u>PART NAME</u>                         | <u>QTY.</u> | <u>REMARKS</u>         |
|------------|-----------------|--|-------------|------------------------|
| 1#*        | 0161 C          | WASHER, LOCK 5/16 SAE                    | 12          |                        |
| 2#*        | 0300 B          | WASHER, FLAT 5/16 SAE                    | 12          |                        |
| 3          | 1207            | SCREW, HHC 5/16-18 X 1-3/4               | 5           |                        |
| 4*         | 4196            | SCREW, HHC 3/8-16 X 3/4                  | 4           |                        |
| 5          | 10136           | WASHER, FLAT 3/8 SAE                     | 4           |                        |
| 6          | 10176           | NUT, NYLOC 1/2-13                        | 6           |                        |
| 7#*        | 10229           | SCREW HHC 5/16 - 20 X 1                  | 12          |                        |
| 8          | 11141           | SPACER, ROD END .....                    | 12          | NOT REQUIRED           |
|            |                 | .....                                    |             | INCLUDED ITEM W/ITEM 9 |
| 9*%        | 21944           | ROD END, 1/2-20 MALE RH .....            | 6           | REPLACES P/N 11142     |
| 10*        | 11146           | NUT, HEX JAM 1/2-20                      | 6           |                        |
| 11         | 26867           | HOSE ASSY., .38 ID X 63" JF J-6FJ        | 2           |                        |
| 12         | 11721           | FITTING, STR 6MJ-6MO                     | 3           |                        |
| 13#*       | 12038           | BELLOW, STG CYLINDER                     | 3           |                        |
| 14         | 12056           | CYLINDER, STEERING WITHOUT ROD END ..... | 3           | INCLUDES ITEMS W/#     |
| 15#*       | 12060           | PLATE, BELLOWS MOUNTING                  | 3           |                        |
| 16         | 13178           | SCREW, HHC 1/2-13 X 2-1/4                | 6           |                        |
| 17         | 20140           | CYLINDER, STEERING W/ ROD END .....      | 3           | INCLUDES ITEMS W/*     |
| 18         | 20652           | CYLINDER, HYD PITCH 1.5 BORE             | 2           |                        |
| 19         | 20780           | VALVE ASSY., HYD PITCH                   | 1           |                        |
| 20         | 0183            | PIN, COTTER                              | 4           |                        |
| 21         | 20912           | COVER, 0.75 CLAMP STAUFF GD-3D           | 5           |                        |
| 22         | 20913           | CLAMP, 0.75 OD TUBE STAUFF 3190/190 DPP  | 5           |                        |
| 23         | 21095           | FITTING, STR 4MJ-4MO                     | 5           |                        |
| 24         | 21098           | HOSE ASSY., 1/4 ID X 82 STR ENDS         | 2           |                        |
| 25         | 21114           | FITTING, STR 6FO-6MO                     | 1           |                        |
| 26         | 21115           | FITTING, STR 6MJ-6MO LONG                | 1           |                        |
| 27         | 21159           | FITTING, 45 4MJ-4MO                      | 1           |                        |
| 28         | 21160           | HOSE ASSY., 1/4 ID X 47 STR ENDS         | 2           |                        |
| 29         | 12055           | HOSE ASSY., .38 ID X36 45 ONE END .....  | 2           | KUBOTA                 |
| 29         | 21201           | HOSE ASSY., .38 ID X36.5 STR ENDS .....  | 2           | YANMAR                 |
| 30         | 21376           | SCREW, HHC 5/8-11 X 1.50                 | 8           |                        |
| 31         | 35149           | FITTING, ORIFICE 4MJ-4MOX0.02            | 2           |                        |
| 32         | 19974           | PIN                                      | 4           |                        |

# HTX-44K/Y RIDE-ON TROWEL — BURP TANK/SUCTION FILTER ASSY.

## BURP TANK/SUCTION FILTER ASSY.



### NOTES:

- ⚠️ USE HYDROSTATIC DRIVE SYSTEM OIL, CHEVRON AW/MV ISO68 OR 10W30 GR 5EP. OIL CAPACITY IS 5.5 GALLONS (20.82 LITERS) LESS FILTER CHANGE. WITH FILTER CHANGE (CHECK SIGHT GLASS) ADD .5 GAL/1.89 LITERS.

# HTX-44K/Y RIDE-ON TROWEL — BURP TANK/SUCTION FILTER.

## BURP TANK SUCTION FILTER ASSY.

| <u>NO.</u> | <u>PART NO.</u> | <u>PART NAME</u>                         | <u>QTY.</u> | <u>REMARKS</u> |
|------------|-----------------|--|-------------|----------------|
| 1          | 3333            | CLAMP, HOSE WORM #12 11/16 TO 1-1/4      | 2           |                |
| 2          | 3366            | FITTING, 45 12BARB-12MO                  | 1           |                |
| 3          | 3461            | FITTING, 90 12BARB-12MO                  | 1           |                |
| 4          | 11534           | NUT U TYPE 1/4-20                        | 2           |                |
| 5          | 11696           | HOSE ASSY., .38 ID X35.5 STR ENDS        | 1           |                |
| 6          | 11722           | FITTING, 90 6MJ-6MO                      | 1           |                |
| 7          | 11725           | FITTING, STR 6MJ-1/4MP                   | 1           |                |
| 8          | 12287           | SCREW, THP 1/4-20 X 3/4 SS               | 2           |                |
| 10         | 21106           | HOUSING, FLTR SUC ZINGA SF-100           | 1           |                |
| 11         | 21107           | FILTER, SUCTION 5" 10 MICRON SYNTH LHA   | 1           |                |
| 12         | 21109           | SIGHT GLASS, DASH 12 ORB PLASTIC         | 1           |                |
| 13         | 21154           | HOSE, 3/4 ID X 37 MEGAVAC                | 1           |                |
| 14         | 21193           | GUAGE, FILTER COND ZINGA GV-10           | 1           |                |
| 15         | 21400           | PLUG, HYD TANK HAND WHEEL                | 1           |                |
| 16         | 21406           | O-RING, HYD DASH16 BUNA90                | 1           |                |
| 17         | 21407           | FITTING, STR 20MO-20MO ADJ               | 1           |                |
| 18         | 21510           | TANK W/A, HYD BURP                       | 1           |                |
| 19         | 21513           | BREATHER, FILTER 10 MICRON 1/4MP PLASTIC | 1           |                |
| 20         |                 | HYDROSTATIC DRIVE SYSTEM OIL .....       | AR .....    | SOURCE LOCALLY |





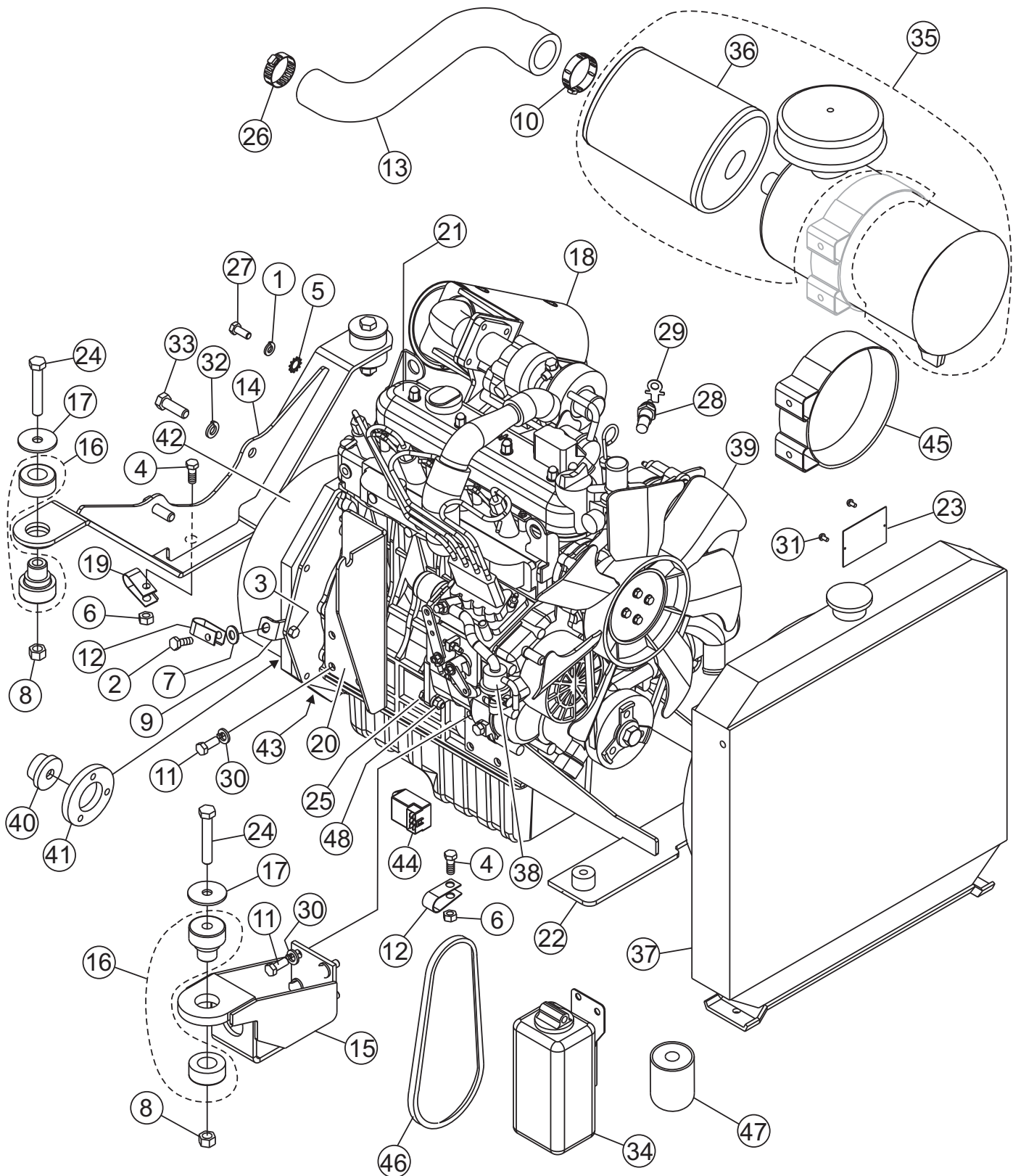
## HTX-44K/Y RIDE-ON TROWEL — PUMP LEVERS ASSY.

### PUMP LEVERS ASSY.

| <u>NO.</u> | <u>PART NO.</u> | <u>PART NAME</u>                  | <u>QTY.</u> | <u>REMARKS</u> |
|------------|-----------------|-----------------------------------|-------------|----------------|
| 1          | 0161 C          | WASHER, LOCK, 5/16 MED            | 2           |                |
| 2          | 0161 D          | NUT, HEX FINISH 5/16-18           | 2           |                |
| 3          | 0243            | SCREW, SHC 5/16-18 X 1-3/4        | 2           |                |
| 4          | 0447            | WASHER, FLAT 1/2 SAE              | 2           |                |
| 5          | 1207            | SCREW, HHC 5/16-18 X 1-3/4        | 2           |                |
| 6          | 3233            | WASHER, FENDER 1.5 OD X 3/8 ID    | 2           |                |
| 7          | 5023 B          | NUT, HEX FINISH 3/8-24 PLAIN      | 1           |                |
| 8          | 5054 A          | WASHER, LOCK, 1/2 MED             | 2           |                |
| 9          | 5218            | SCREW, HHC 1/2-13 X 1-1/2         | 2           |                |
| 10         | 21231           | ISOLATOR, PLATE / STUD 5/16       | 2           |                |
| 11         | 21266           | BEARING BLOCK ASSY., PUMP CTRL RH | 1           |                |
| 12         | 21267           | BEARING BLOCK ASSY., PUMP CTRL LH | 1           |                |
| 13         | 21290           | LEVER W/A, PUMP CONTROL M25       | 2           |                |
| 14         | 21301           | ROD, PUMP ACTUATOR M25            | 1           |                |
| 15         | 21342           | NUT, HEX FINISH 3/8-24 LH         | 1           |                |

# HTX-44K RIDE ON TROWEL — ENGINE ASSY. (KUBOTA)

ENGINE ASSY. (KUBOTA, S/N A62001524 AND BELOW)



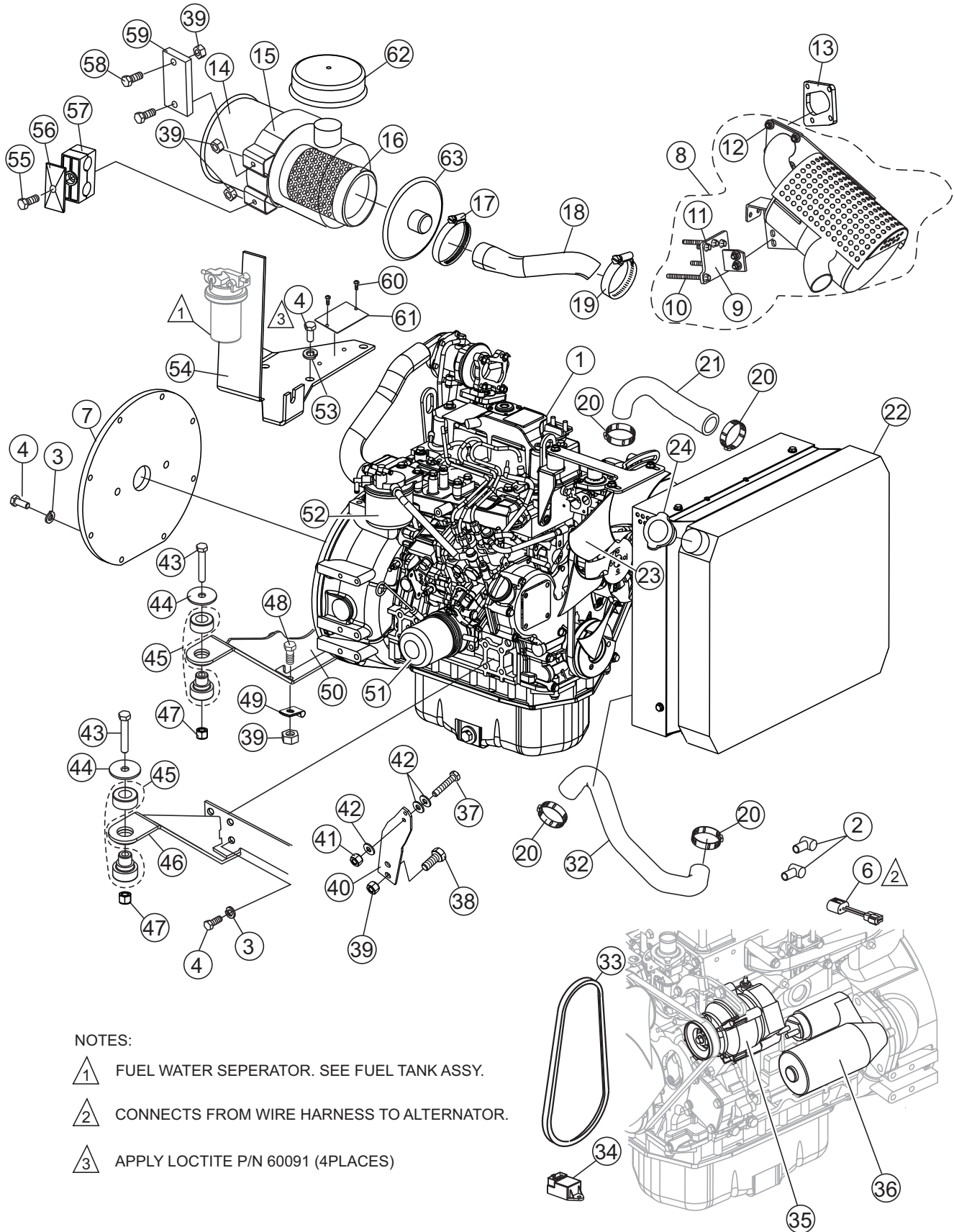
# HTX-44K RIDE ON TROWEL — ENGINE ASSY. (KUBOTA)

ENGINE ASSY. (KUBOTA, S/N A62001524 AND BELOW)

| <u>NO.</u> | <u>PART NO.</u> | <u>PART NAME</u>                         | <u>QTY.</u> | <u>REMARKS</u>               |
|------------|-----------------|--|-------------|------------------------------|
| 1          | 0161 C          | WASHER, LOCK, 5/16 MED                   | 1           |                              |
| 2          | 0166            | SCREW, HHC 3/8-16 X 7/8                  | 1           |                              |
| 3          | 0202            | SCREW, HHC 5/16-18 X 1                   | 1           |                              |
| 4          | 0205            | SCREW, HHC 3/8-16 X 1                    | 2           |                              |
| 5          | 0479            | WASHER, EXT SHKP 3/8 PLTD                | 1           |                              |
| 6          | 10133           | NUT, NYLOC 3/8-16                        | 3           |                              |
| 7          | 10136           | WASHER, FLAT 3/8 SAE                     | 1           |                              |
| 8          | 10176           | NUT, NYLOC 1/2-13                        | 4           |                              |
| 9          | 10320           | BRACKET, REAR LIGHT                      | 1           |                              |
| 10         | 10434           | CLAMP, HOSE WORM #32, 1-9/16 TO 2        | 1           |                              |
| 11         | 11662           | SCREW, HHC M10-1.25 X 25MM               | 8           |                              |
| 12         | 8128            | CLAMP, HOSE SUPPORT 5/16                 | 2           |                              |
| 13         | 20123           | HOSE, AIR CLEANER                        | 1           |                              |
| 14         | 20728           | MOUNT, KUBOTA ENGINE HTX-44T             | 1           |                              |
| 15         | 20729           | MOUNT/W, ENGINE HTX-44T                  | 2           |                              |
| 16         | 20742           | ISOLATOR, RB2 RING & BUSHING             | 4           |                              |
| 17         | 20743           | WASHER, ISOLATOR SNUBBING                | 4           |                              |
| 18         | 20965           | MUFFLER, KUBOTA 1505 HTH                 | 1           |                              |
| 19         | 21242           | CLAMP, HOSE 13/16 3/8 BLT HOLE           | 1           |                              |
| 20         | 21355           | BRACKET PUMP CONTROL CABLE               | 1           |                              |
| 21         | 3TNV84TKSA      | ENGINE, KUBOTA V 1505-TE                 | 1           |                              |
| 22         | 21522           | MOUNT, RADIATOR                          | 2           |                              |
| 23         |                 | PLATE, SERIAL RIDERS .....               | 1           | ..... CONTACT MQ PARTS DEPT. |
| 24         | 2549            | SCREW, HHC 1/2-13 X 3                    | 4           |                              |
| 25         | 2623            | SCREW, HHC 5/16-18 X 1-1/4               | 1           |                              |
| 26         | 26405           | CLAMP, HOSE 1-3/4 ID                     | 1           |                              |
| 27         | 2866            | SCREW, HHC M8-1.25 X 20MM                | 1           |                              |
| 28         | 29504           | SWITCH, THERMAL 230 F                    | 1           |                              |
| 29         | 29506           | TERMINAL, BLADE TO #8 RING ADAPT         | 1           |                              |
| 30         | 2955            | WASHER, LOCK, 7/16 ZINC                  | 8           |                              |
| 31         | 4014            | SCREW, #2-3/16 U-DRIVE                   | 2           |                              |
| 32         | 5054 A          | WASHER, LOCK 1/2 MED                     | 2           |                              |
| 33         | 5218            | SCREW, HHC 1/2-13 X 1-1/2                | 2           |                              |
| 34         | 11983           | RESERVOIR BOTTLE                         | 1           |                              |
| 35         | 20327           | AIR CLEANER ASSY., KUBOTA V1505-TE ..... | 1           | ..... INCLUDES ITEMS W/*     |
| 36*        | 1735111083      | ELEMENT, AIR CLEANER                     | 1           |                              |
| 37         | 20320           | RADIATOR KIT                             | 1           |                              |
| 38         | 20319           | FUEL FILTER KIT                          | 1           |                              |
| 39         | 20316           | FAN                                      | 1           |                              |
| 40         | 11378           | COUPLING PUMP                            | 1           |                              |
| 41         | 11605           | FLANGE, DRIVE ENGINE 3-HOLE              | 1           |                              |
| 42         | 21504           | BELL HOUSING                             | 1           |                              |
| 43         | 20317           | FLYWHEEL KIT                             | 1           |                              |
| 44         | 29344           | TIMER, GLOW PLUG                         | 1           |                              |
| 45         | 1538111250      | BAND, AIR CLEANER                        | 1           |                              |
| 46         | 1628297010      | FAN BELT                                 | 1           |                              |
| 47         | 1627132090      | FILTER, OIL                              | 1           |                              |
| 48         | 5283            | NUT, NYLOC 5/16-18                       | 2           |                              |

# HTX-44Y RIDE ON TROWEL — ENGINE ASSY. (YANMAR)

ENGINE ASSY. (YANMAR, S/N AG2001525 AND ABOVE)



NOTES:

- ① FUEL WATER SEPERATOR. SEE FUEL TANK ASSY.
- ② CONNECTS FROM WIRE HARNESS TO ALTERNATOR.
- ③ APPLY LOCTITE P/N 60091 (4PLACES)

# HTX-44Y RIDE ON TROWEL — ENGINE ASSY. (YANMAR)

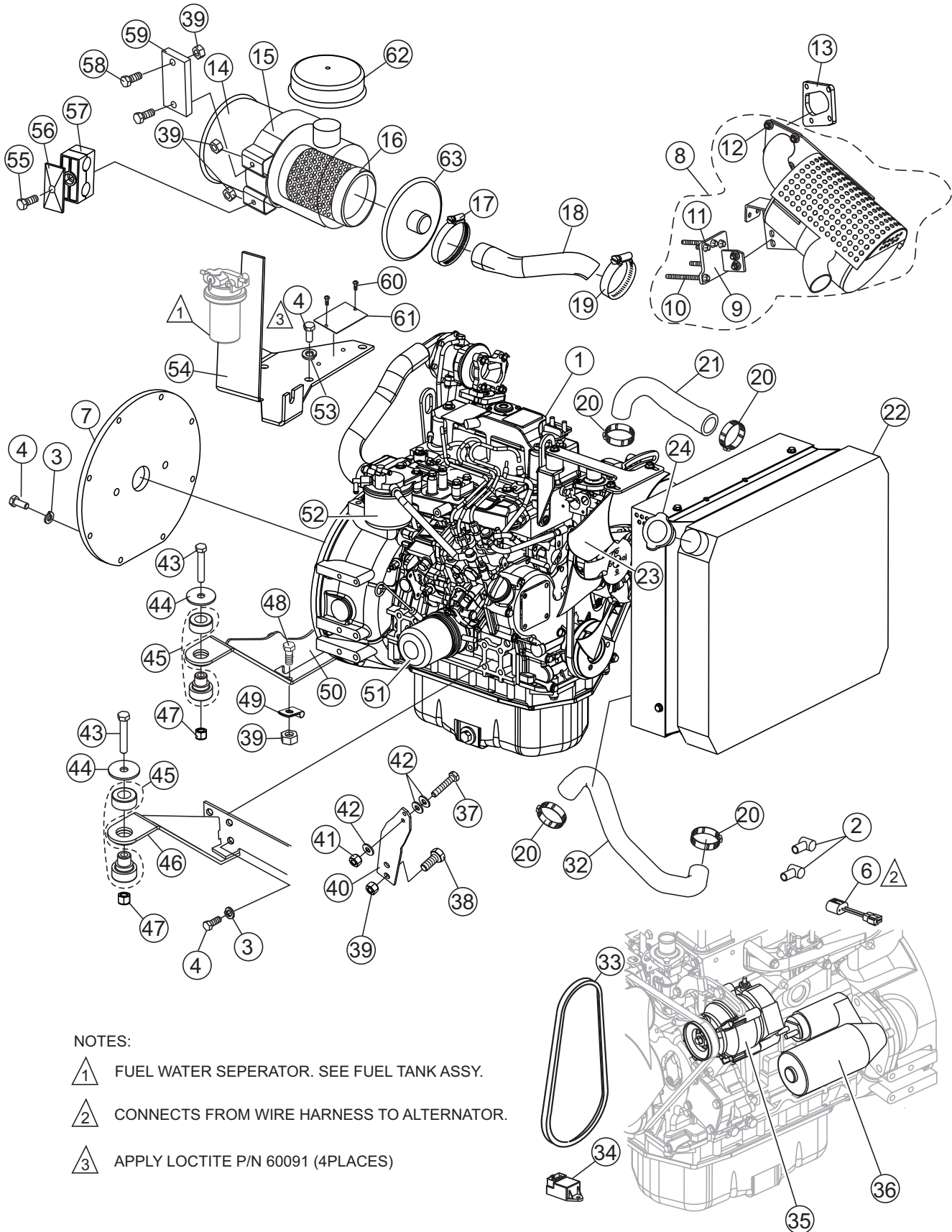
ENGINE ASSY. (YANMAR, S/N AG2001525 AND ABOVE)

| <u>NO.</u> | <u>PART NO.</u> | <u>PART NAME</u>                          | <u>QTY.</u> | <u>REMARKS</u>     |
|------------|-----------------|---|-------------|--------------------|
| 1          | 21895           | ENGINE, YANMAR 3TNV84T                    | 1           |                    |
| 2          | 2762            | TERMINAL BOOT                             | 2           |                    |
| 3          | 2955            | WASHER, LOCK 7/16 ZINC                    | 15          |                    |
| 4          | 16056           | SCREW, HHC M10 - 1.5 X 25MM GR 8.8        | 19          |                    |
| 6          | 21745           | PIGTAIL, ALTERNATOR PLUG                  | 1           |                    |
| 7          | 21921           | COUPLER, HAYES                            | 1           |                    |
| 8          | 21951           | MUFFLER .....                             | 1           | INCLUDES ITEMS W/* |
| 9*         | 22018           | BRACKET, MUFFLER-LOWER HTX YANMAR         | 1           |                    |
| 10*        | 22022           | SCREW, HEX FLANGE M8-1.25 X 90 MM GR 10.9 | 3           |                    |
| 11*        | 22021           | SCREW, HEX FLANGE M8-1.25 X 20 MM GR 10.9 | 4           |                    |
| 12*        | 15227           | NUT, HEX FLANGED M8-1.25 GR 10            | 6           |                    |
| 13         | 21950           | GASKET, MUFFLER                           | 1           |                    |
| 14         | G065432         | HOUSING, AIR CLEANER DONALDSON            | 1           |                    |
| 15         | 20120           | CLAMP, AIR CLEANER                        | 1           |                    |
| 16         | PMAF25436       | CARTRIDGE, AIR CLEANER DONALDSON          | 1           |                    |
| 17         | 29218           | HOSE CLAMP, 3" DIA                        | 1           |                    |
| 18         | 21948           | HOSE, AIR INTAKE                          | 1           |                    |
| 19         | 962015          | HOSE CLAMP, 2" DIA                        | 1           |                    |
| 20         |                 | CLAMP, HOSE RADIATOR .....                | 4           | PURCHASE LOCALLY   |
| 21         | 68900479        | HOSE, RADIATOR UPPER                      | 1           |                    |
| 22         | 79000511        | RADIATOR                                  | 1           |                    |
| 23         | 129612-44700    | FAN                                       | 1           |                    |
| 24         | 69300002        | CAP, RADIATOR                             | 1           |                    |
| 32         | 68900480        | HOSE, RADIATOR LOWER                      | 1           |                    |
| 33         | 119865-42290    | V-BELT, YANMAR                            | 1           |                    |
| 34         | 29344           | GLOW PLUG TIMER                           | 1           |                    |
| 35         | 129423-77200    | ALTERNATOR                                | 1           |                    |
| 36         | 12960877010     | STARTER MOTOR                             |             |                    |



# HTX-44Y RIDE ON TROWEL — ENGINE ASSY. (YANMAR CONT.)

ENGINE ASSY. (YANMAR, S/N AG2001525 AND ABOVE)



NOTES:

- ▲ 1 FUEL WATER SEPERATOR. SEE FUEL TANK ASSY.
- ▲ 2 CONNECTS FROM WIRE HARNESS TO ALTERNATOR.
- ▲ 3 APPLY LOCTITE P/N 60091 (4PLACES)

# HTX-44Y RIDE ON TROWEL — ENGINE ASSY. (YANMAR CONT.)

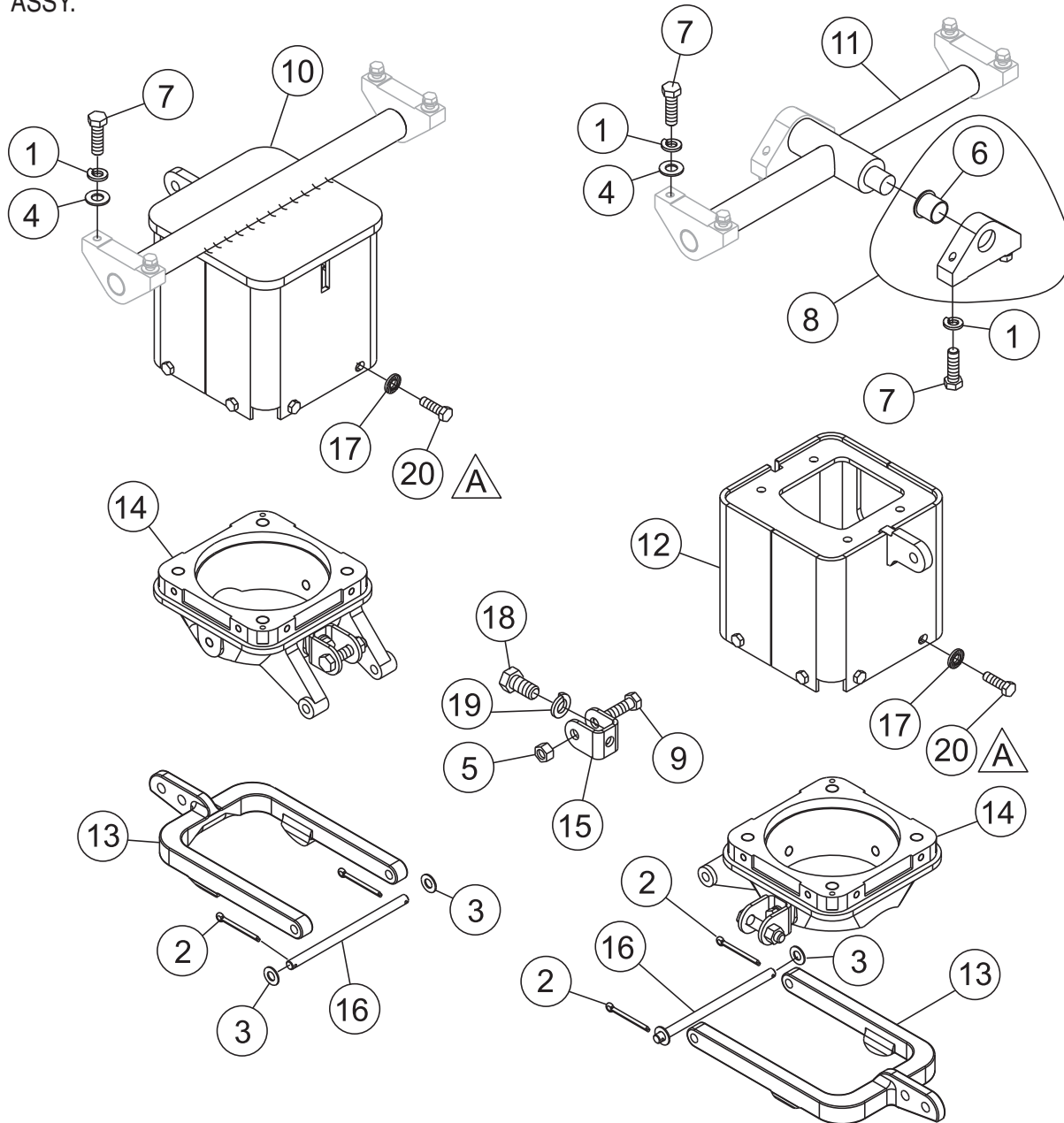
ENGINE ASSY. (YANMAR, S/N AG2001525 AND ABOVE)

| <u>NO.</u> | <u>PART NO.</u> | <u>PART NAME</u>                  | <u>QTY.</u> | <u>REMARKS</u>         |
|------------|-----------------|-----------------------------------|-------------|------------------------|
| 37         | 3513            | SCREW, HHC 10-32 X 1              | 1           |                        |
| 38         | 0655            | SCREW, HHC 5/16-18 X 3/4          | 6           |                        |
| 39         | 5283            | NUT, NYLOC 5/16 - 18              | 6           |                        |
| 40         | 21649           | LEVER, THROTTLE                   | 1           |                        |
| 41         | 10019           | NUT, NYLOC 10-32                  | 1           |                        |
| 42         | 2203            | WASHER, FLAT #10                  | 3           |                        |
| 43         | 2549            | SCREW, HHC 1/2 - 13 X 3           | 4           |                        |
| 44         | 20743           | WASHER, ISOLATOR SNUBBING         | 4           |                        |
| 45         | 20742           | ISOLATOR, RB2 RING & BUSHING      | 4           |                        |
| 46         | 21844           | MOUNT, ENGINE FRONT RAD 44 YANMAR | 1           |                        |
| 47         | 10176           | NUT, NYLOC 1/2-13                 | 4           |                        |
| 48         | 0202            | SCREW, HHC 5/16 - 18 X 1 ZINC     | 1           |                        |
| 49         | 8128            | CLAMP, HOSE SUPPORT 5/16          | 1           |                        |
| 50         | 21830           | MOUNT, ENGINE REAR 44 YANMAR      | 1           |                        |
| 51         | 129150-35152    | OIL FILTER                        | 1           |                        |
| 52         | 119802-55800    | FUEL FILTER                       | 1           |                        |
| 53         | 2955            | WASHER, LOCK 7/16 ZINC            | 15          |                        |
| 54         | 21847           | BRACKET, THROTTLE HTX YANMAR      | 1           |                        |
| 55         | 0300 A          | SCREW, HHC 5/16-18 X 2            | 1           |                        |
| 56         | 20912           | COVER, 0.75 OD TUBE STAUFF        | 1           |                        |
| 57         | 20913           | CLAMP, 0.75 OD TUBE STAUFF        | 1           |                        |
| 58         | 2623            | SCREW, HHC 5/16 - 18 X 1.25       | 2           |                        |
| 59         | 21989           | SPACER, 0.75 X 2.0 X 4.5          | 1           |                        |
| 60         | 4014            | SCREW, 2-3/16 P-K TYPE U DRIVE    | 2           |                        |
| 61         |                 | NAMEPLATE .....                   | 1           | ..... CONTACT MQ PARTS |
| 62         | H001378         | RAIN/AIR CAP                      | 1           |                        |
| 63         | P539422         | LID, AIR CLEANER                  | 1           |                        |

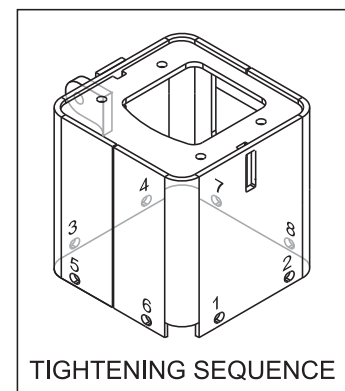


# HTX-44K/Y RIDE-ON TROWEL — PIVOT ASSY.

## PIVOT ASSY.



APPLY MINIMAL AMOUNT OF LPS ANTI-SIEZE GREASE TO THREADS OF SCREW (ITEM 20). HAND START SCREWS. FOLLOWING TIGHTENING SEQUENCE (SEE DIAGRAM AT RIGHT), TORQUE SCREW ASSEMBLY (FIRST PASS) TO A VALUE OF 21 LBS/FT. FOLLOW SAME SEQUENCE FOR FINAL TORQUE OF 41 LBS/FT.



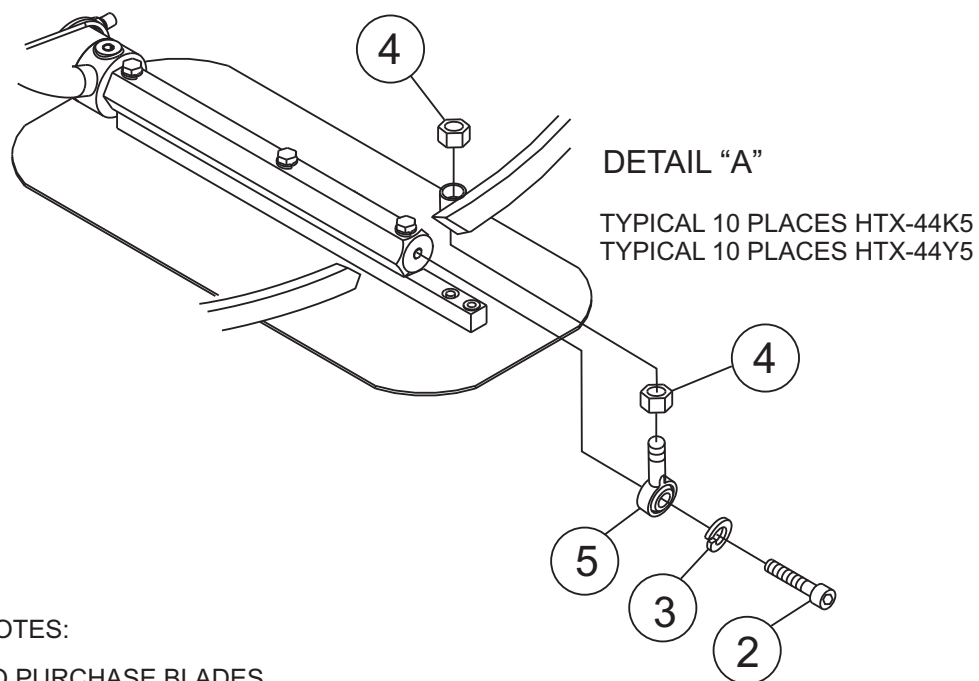
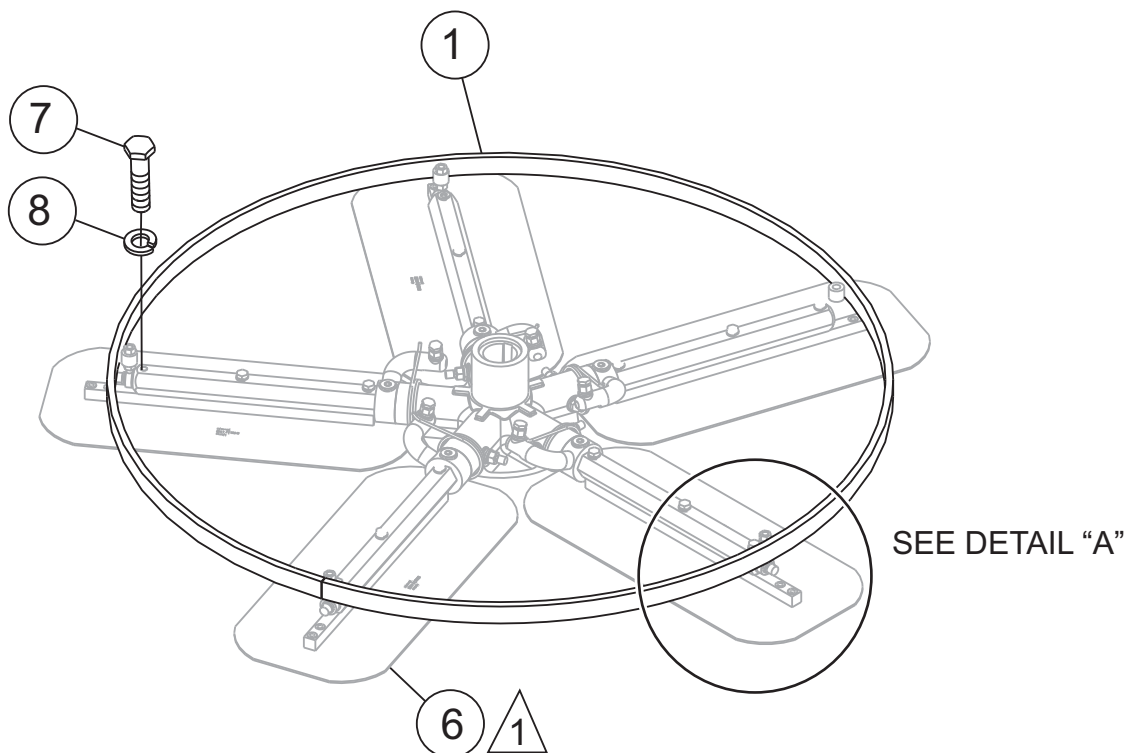
# HTX-44K/Y RIDE-ON TROWEL — PIVOT ASSY.

PIVOT ASSY.

| <u>NO.</u> | <u>PART NO.</u> | <u>PART NAME</u>                 | <u>QTY.</u> | <u>REMARKS</u>          |
|------------|-----------------|----------------------------------|-------------|-------------------------|
| 1          | 0166 A          | WASHER, LOCK, 3/8 MED            | 12          |                         |
| 2          | 0183            | PIN, COTTER 1/8 1-1/4            | 4           |                         |
| 3          | 0448            | WASHER, FLAT 7/16 SAE            | 4           |                         |
| 4          | 10136           | WASHER, FLAT 3/8 SAE             | 8           |                         |
| 5          | 10176           | NUT, NYLOC 1/2-13                | 6           |                         |
| 6#         | 10221           | BUSHING, IGLIDE # TF-1618-16     | 6           |                         |
| 7          | 1023            | SCREW, HHC 3/8-16 X 1-1/4        | 12          |                         |
| 8          | 11555           | ROCKER BLOCK .....               | 6           | INCLUDES ITEMS W/#      |
| 9          | 13178           | SCREW, HHC 1/2-13 X 2-1/4        | 6           |                         |
| 10         | 20630           | HOUSING,DRIVE MOTOR W/A,LH       | 1           |                         |
| 11         | 20639           | TRUNNION/W PITCH AND PIVOT       | 1           |                         |
| 12         | 20640           | HOUSING,DRIVE MOTOR W/A,RH       | 1           |                         |
| 13         | 20641           | YOKE, PITCH-MACHINED             | 2           |                         |
| 14         | 20643           | HOUSING, LOWER MOTOR MACHINED    | 2           |                         |
| 15         | 20787           | CLEVIS, STEERING CYLINDER        | 3           |                         |
| 16         | 21022           | PIN, YOKE PIVOT                  | 2           |                         |
| 17         | 21707           | WASHER, FLAT 3/8 NORDLOC         | 16          |                         |
| 18         | 2691            | SCREW, HHC 1/2-13 X 1            | 3           |                         |
| 19         | 5054 A          | WASHER, LOCK, 1/2 MED            | 3           |                         |
| 20         | 915105          | SCREW, HHC 3/8-16 X 1 GRD8 ..... | 16          | JAN. 28, 2008 AND BELOW |
| 20         | 22228           | SCREW, HHF 3/8-16 X 1 GRD8 ..... | 16          | JAN. 29, 2008 AND ABOVE |

# HTX-44K/Y RIDE-ON TROWEL — 5-BLADE STABILIZER RING ASSY.

## 5-BLADE STABILIZER RING ASSY.



### NOTES:

 TO PURCHASE BLADES  
CONTACT UNIT SALES DEPT.

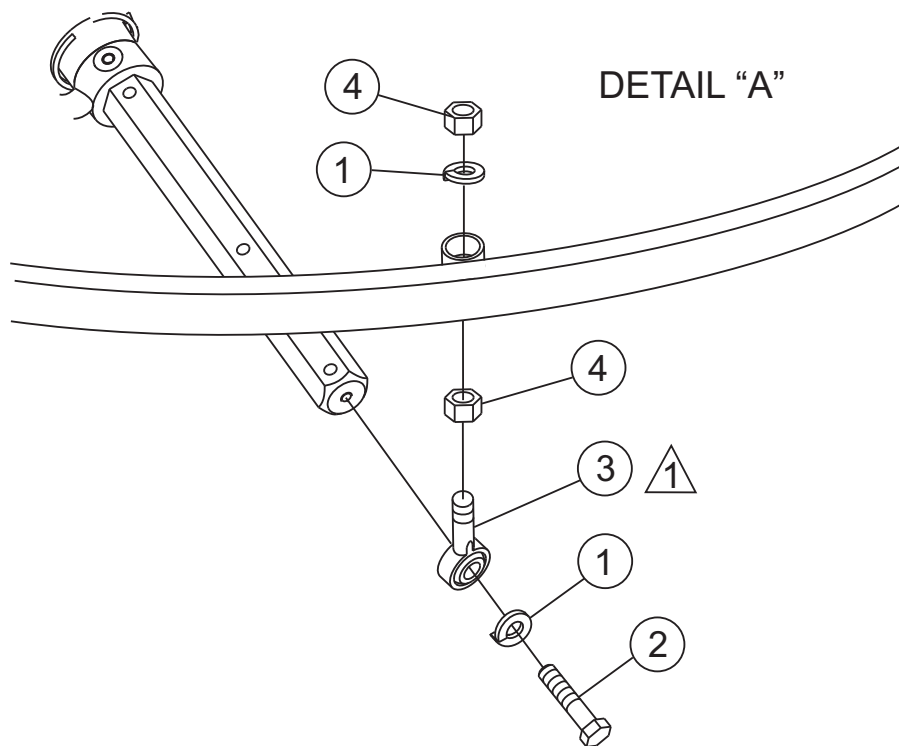
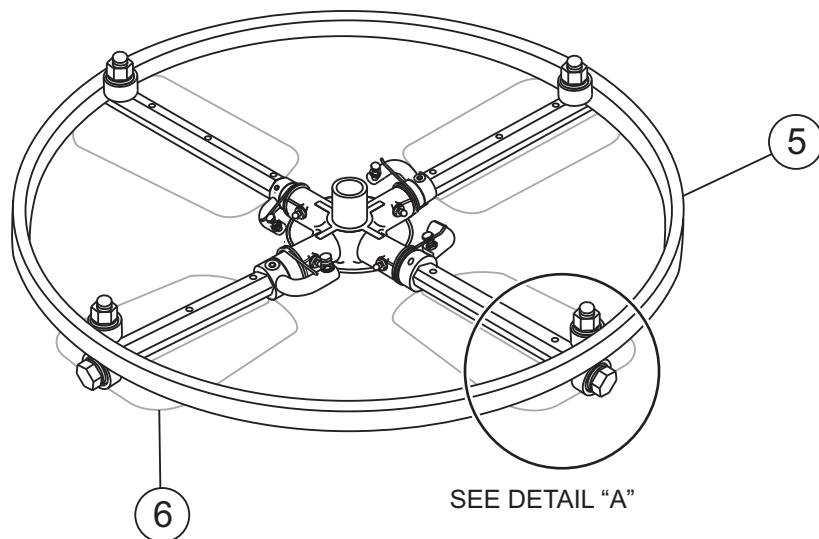
# HTX-44K/Y RIDE-ON TROWEL — 5-BLADE STABILIZER RING ASSY.

## 5-BLADE STABILIZER RING ASSY.

| <u>NO.</u> | <u>PART NO.</u> | <u>PART NAME</u>                   | <u>QTY.</u> | <u>REMARKS</u>     |
|------------|-----------------|------------------------------------|-------------|--------------------|
| 1          | 12095           | RING, STABILIZER HTX-44K5          | 2           |                    |
| 2          | 1237            | SCREW, SHC 5/16-18 X 7/8 NYLOC     | 10          |                    |
| 3          | 0161 C          | WASHER, LOCK, 5/16 MED             | 10          |                    |
| 4          | 6014 C          | NUT, HEX FINISH 5/16-24            | 20          |                    |
| 5          | 1723            | ROD END, 5/16-24 MALE RH           | 10          |                    |
| 6          |                 | BLADE ASSY. ....                   | 10          | CONTACT UNIT SALES |
| 7          | 0105            | SCREW, HHCS 5/16-18 X 1-1/2 .....  | 30          | KUBOTA             |
| 7          | 1207            | SCREW, HHC 5/16-18 X 1- 3/4" ..... | 30          | YANMAR             |
| 8          | 1061 C          | WASHER, LOCK 5/16"                 | 30          |                    |

# HTX-44K/Y RIDE-ON TROWEL— 4-BLADE STABILIZER RING ASSY.

4-BLADE STABILIZER RING ASSY.



 APPLY LOCTITE 242 BLUE OR EQUIVALENT.

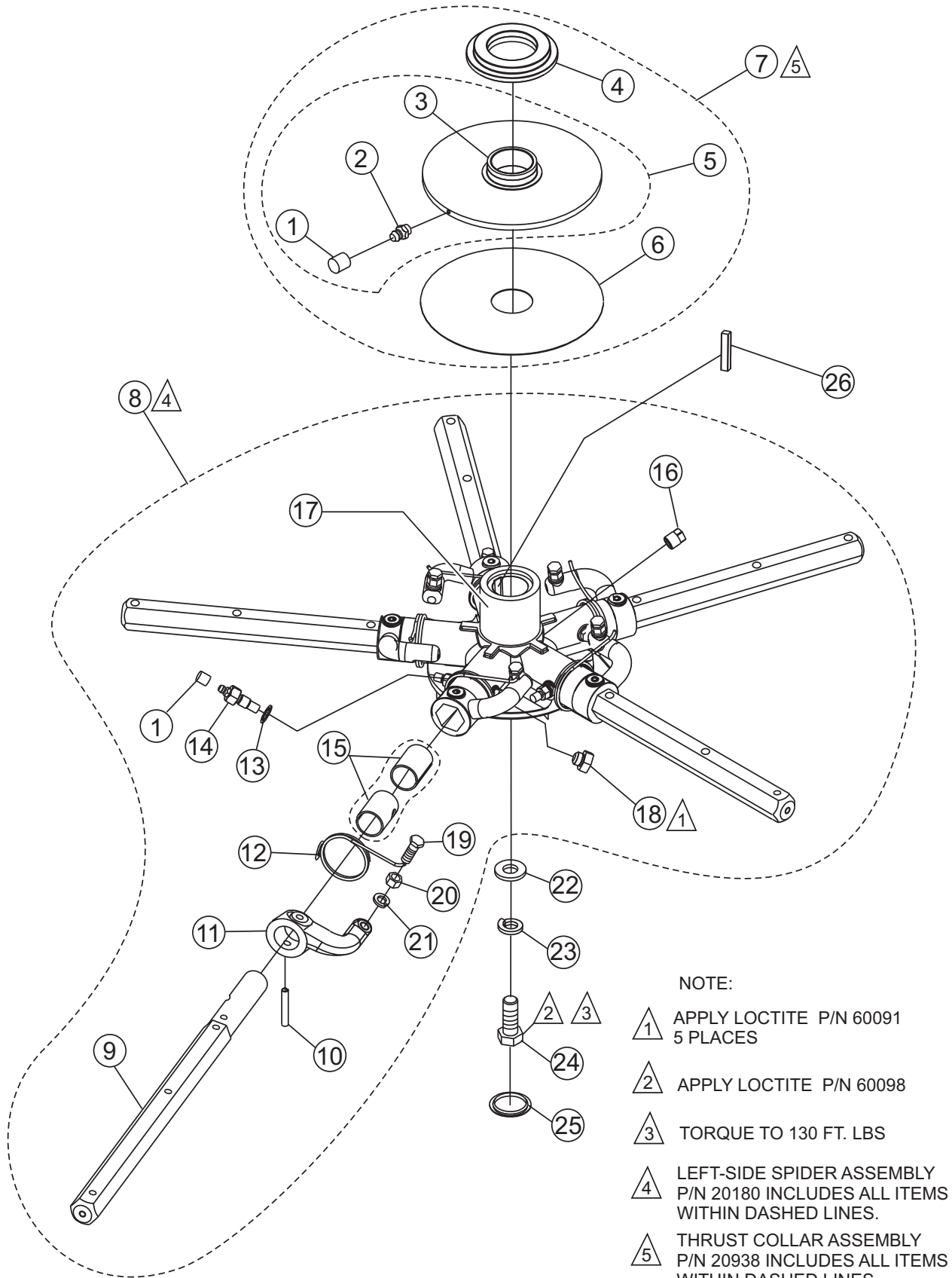
# HTX-44K/Y RIDE-ONTROWEL — 4-BLADE STABILIZER RING ASSY.

## 4-BLADE STABILIZER RING ASSY.

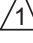




| <u>NO.</u> | <u>PART NO.</u> | <u>PART NAME</u>               | <u>QTY.</u> | <u>REMARKS</u>           |
|------------|-----------------|--------------------------------|-------------|--------------------------|
| 1          | 0161 C          | WASHER, LOCK, 5/16 MED         | 8           |                          |
| 2          | 1237            | SCREW, SHC 5/16-18 X 7/8 NYLOC | 4           |                          |
| 3          | 1723            | ROD END, 5/16-24 MALE RH       | 4           |                          |
| 4          | 6014 C          | NUT, HEX FINISH 5/16-24        | 8           |                          |
| 5          | 9148            | RING, STABILIZER HTX-44K5      | 1           |                          |
| 6          |                 | BLADE ASSY. ....               | 8           | ..... CONTACT UNIT SALES |

# HTX-44K/Y RIDE ON TROWEL — 5-BLADE SPIDER ASSY. (TAPERED LH)

## 5-BLADE SPIDER ASSY. (TAPERED LH)



**NOTE:**

-  APPLY LOCTITE P/N 60091  
5 PLACES
-  APPLY LOCTITE P/N 60098
-  TORQUE TO 130 FT. LBS
-  LEFT-SIDE SPIDER ASSEMBLY  
P/N 20180 INCLUDES ALL ITEMS  
WITHIN DASHED LINES.
-  THRUST COLLAR ASSEMBLY  
P/N 20938 INCLUDES ALL ITEMS  
WITHIN DASHED LINES.



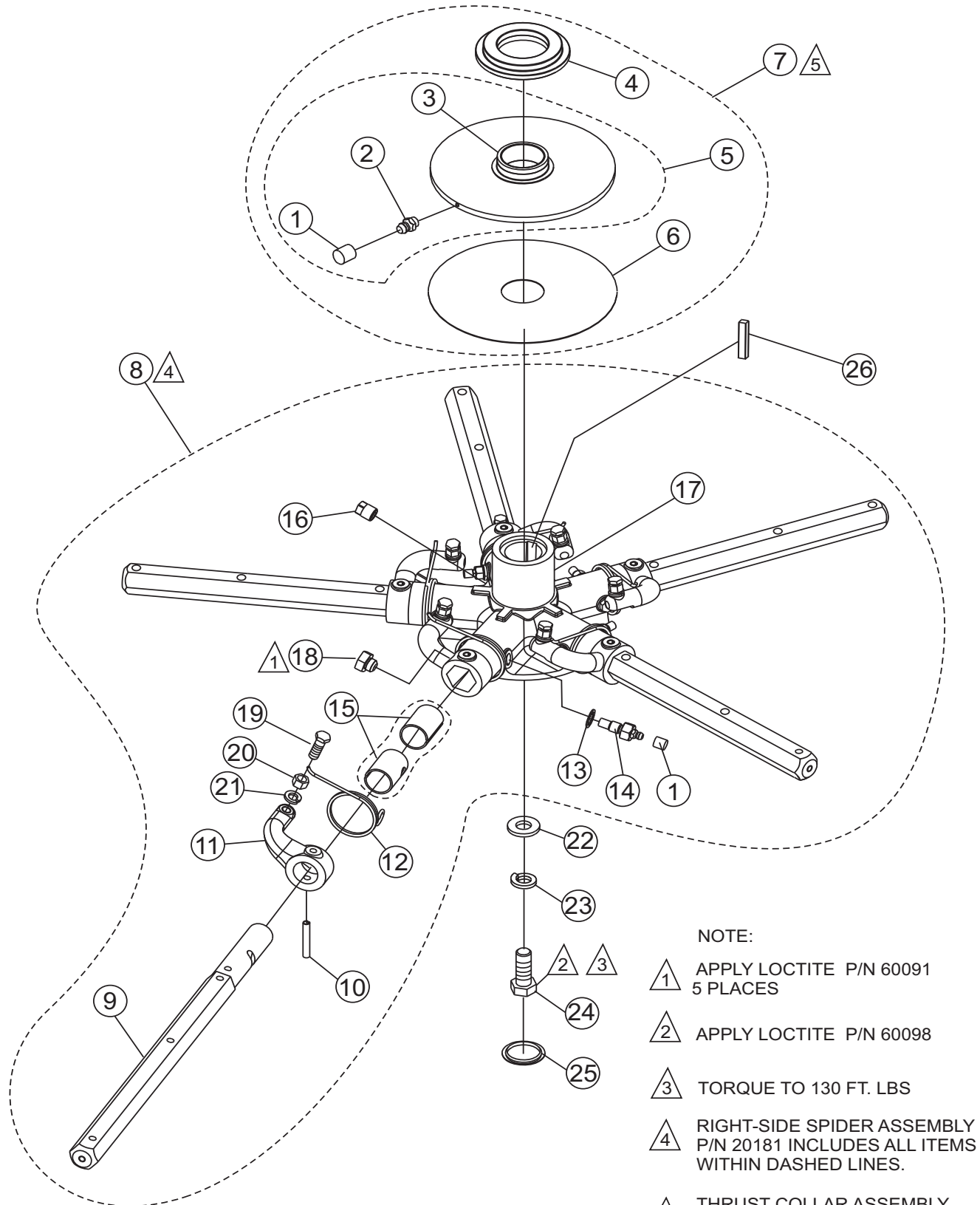
# HTX-44K/Y RIDE ON TROWEL — 5-BLADE SPIDER ASSY. (TAPERED LH)

## 5-BLADE SPIDER ASSY. (TAPERED LH)

| <u>NO.</u> | <u>PART NO.</u> | <u>PART NAME</u>                        | <u>QTY.</u> | <u>REMARKS</u>      |
|------------|-----------------|---|-------------|---------------------|
| 1*\$#      | 1162 A          | CAP, GREASE ZERK #2                     | 6           |                     |
| 2*\$       | 2621            | ZERK, GREASE STR 1/4-28                 | 1           |                     |
| 3*\$       | 12316           | BUSHING, THRUST COLLAR                  | 1           |                     |
| 4*         | 12779           | BEARING, THRUST 6017 2RS W/FLANGE       | 1           |                     |
| 5*         | 11431           | THRUST COLLAR W/ BUSHING .....          | 1           | INCLUDES ITEMS W/\$ |
| 6*         | 11419           | PLATE, WEAR                             | 1           |                     |
| 7          | 20938           | THRUST COLLAR ASSY. ....                | 1           | INCLUDES ITEMS W/*  |
| 8          | 20180           | SPIDER ASSY., LH 5 BLD .....            | 1           | INCLUDES ITEMS W/#  |
| 9#         | 2829            | ARM, TROWEL, HD/HRT EXT.                | 5           |                     |
| 10#        | 9006            | PIN, ROLL 5/16 X 2                      | 5           |                     |
| 11#        | 11903           | LEVER, TROWEL ARM HYD L.S.              | 5           |                     |
| 12#        | 9111            | SPRING, LS ARM RETURN HD/HT, SMALL BOSS | 5           |                     |
| 13#        | 1875            | WASHER, INT. SHKP. 3/8                  | 5           |                     |
| 14#        | 1322            | SCREW, RETAINING                        | 5           |                     |
| 15#        | 11039           | BUSHING, ARM 2 PIECE                    | 10          |                     |
| 16#        | 0121 A          | FITTING, PLUG 3/8 MP SQ HEAD            | 1           |                     |
| 17#        | 20041           | SPIDER, HTH TAPER 5 BLD HTX-44K5 .....  | 1           | INCLUDES ITEMS W/%  |
| 18#%       | 11602           | SCREW, HHC 3/8-16 X 1/4                 | 5           |                     |
| 19#        | 0164 B          | SCREW, HHC ROUNDED 3/8-16 SPCL GR8      | 5           |                     |
| 20#        | 1876            | NUT, HEX JAM 3/8-16 CLASS 2B            | 5           |                     |
| 21#        | 0166 A          | WASHER, LOCK, 3/8 MED                   | 5           |                     |
| 22         | 20073           | RETAINER, SPIDER                        | 1           |                     |
| 23         | 4388            | WASHER, LOCK, 3/4 MED                   | 1           |                     |
| 24         | 20179           | SCREW, HHC 3/4 -16 X 2, GR 8            | 1           |                     |
| 25         | 20121           | PLUG, SPIDER SNAP IN                    | 1           |                     |
| 26         | 21770           | KEY, 3/8 X 2                            | 1           |                     |

# HTX-44K/Y RIDE-ON TROWEL — 5-BLADE SPIDER ASSY. (TAPERED RH)

## 5-BLADE SPIDER ASSY. (TAPERED RH)



**NOTE:**

- ▲ 1 APPLY LOCTITE P/N 60091  
5 PLACES
- ▲ 2 APPLY LOCTITE P/N 60098
- ▲ 3 TORQUE TO 130 FT. LBS
- ▲ 4 RIGHT-SIDE SPIDER ASSEMBLY  
P/N 20181 INCLUDES ALL ITEMS  
WITHIN DASHED LINES.
- ▲ 5 THRUST COLLAR ASSEMBLY  
P/N 20938 INCLUDES ALL ITEMS  
WITHIN DASHED LINES.

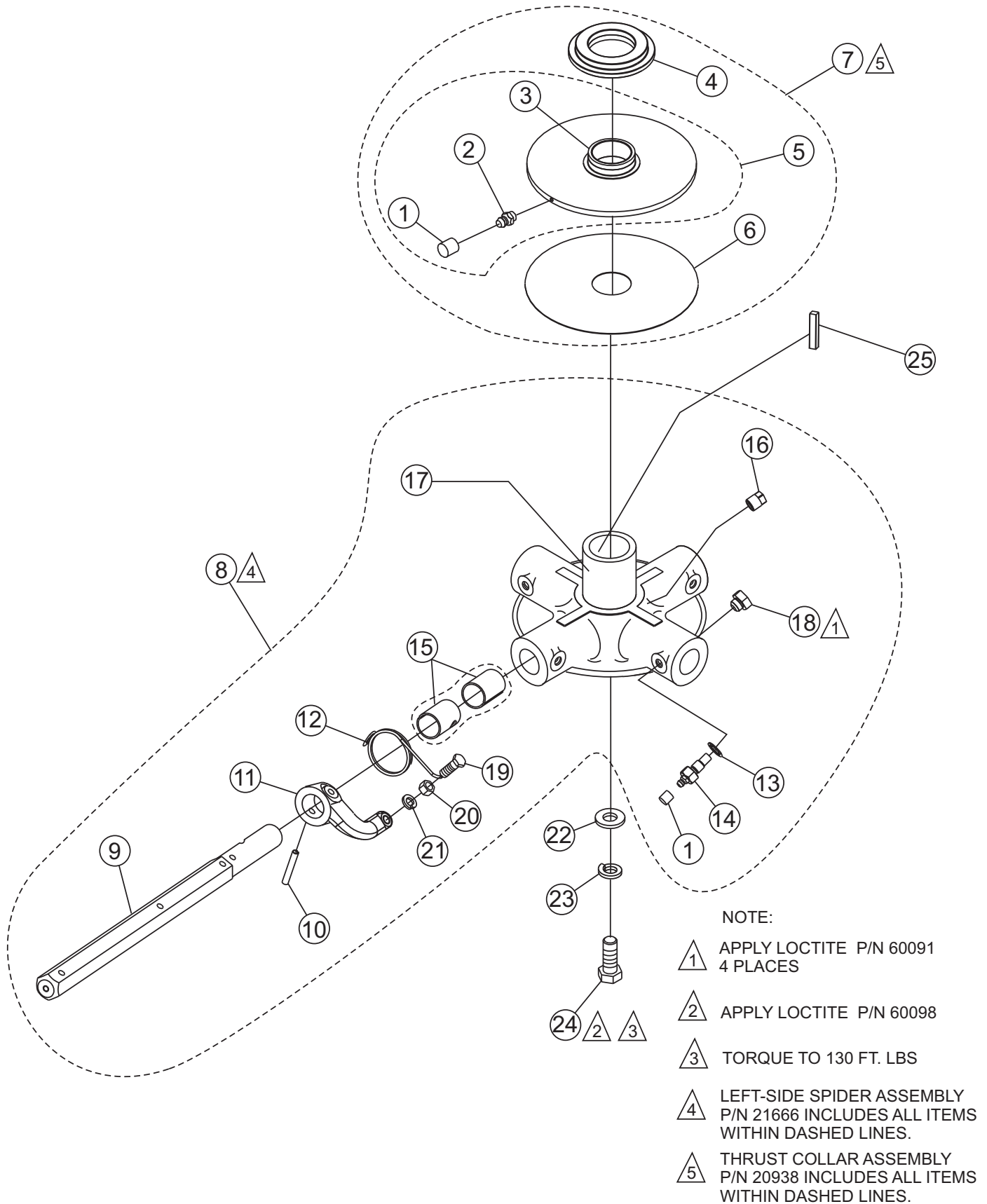
# HTX-44K/Y RIDE ON TROWEL — 5-BLADE SPIDER ASSY. (TAPERED RH)

## 5-BLADE SPIDER ASSY. (TAPERED RH)

| <u>NO.</u> | <u>PART NO.</u> | <u>PART NAME</u>                        | <u>QTY.</u> | <u>REMARKS</u>      |
|------------|-----------------|---|-------------|---------------------|
| 1*\$#      | 1162 A          | CAP, GREASE ZERK #2                     | 6           |                     |
| 2*\$       | 2621            | ZERK, GREASE STR 1/4-28                 | 1           |                     |
| 3*\$       | 20426           | BUSHING, THRUST COLLAR                  | 1           |                     |
| 4*         | 12779           | BEARING, THRUST 6017 2RS W/FLANGE       | 1           |                     |
| 5*         | 11431           | THRUST COLLAR W/ BUSHING .....          | 1           | INCLUDES ITEMS W/\$ |
| 6*         | 11419           | PLATE, WEAR                             | 1           |                     |
| 7          | 20938           | THRUST COLLAR ASSY. ....                | 1           | INCLUDES ITEMS W/*  |
| 8          | 20181           | SPIDER ASSY., RH 5 BLD .....            | 1           | INCLUDES ITEMS W/#  |
| 9#         | 2829            | ARM, TROWEL, HD/HRT EXT.                | 5           |                     |
| 10#        | 9006            | PIN, ROLL 5/16 X 2                      | 5           |                     |
| 11#        | 11904           | LEVER, TROWEL ARM HYD R.S.              | 5           |                     |
| 12#        | 2143            | SPRING, RS ARM RETURN HD/HT, SMALL BOSS | 5           |                     |
| 13#        | 1875            | WASHER, INT. SHKP. 3/8                  | 5           |                     |
| 14#        | 1322            | SCREW, RETAINING                        | 5           |                     |
| 15#        | 11039           | BUSHING, ARM 2 PIECE                    | 10          |                     |
| 16#        | 0121 A          | FITTING, PLUG 3/8 MP SQ HEAD            | 1           |                     |
| 17#        | 20041           | SPIDER, HTH TAPER 5 BLD HTX-44K5 .....  | 1           | INCLUDES ITEMS W/%  |
| 18#%       | 11602           | SCREW, HHC 3/8-16 X 1/4                 | 5           |                     |
| 19#        | 0164 B          | SCREW, HHC ROUNDED 3/8-16 SPCL GR8      | 5           |                     |
| 20#        | 1876            | NUT, HEX JAM 3/8-16 CLASS 2B            | 5           |                     |
| 21#        | 0166 A          | WASHER, LOCK, 3/8 MED                   | 5           |                     |
| 22         | 20073           | RETAINER, SPIDER                        | 1           |                     |
| 23         | 4388            | WASHER, LOCK, 3/4 MED                   | 1           |                     |
| 24         | 20179           | SCREW, HHC 3/4 -16 X 2, GR 8            | 1           |                     |
| 25         | 20121           | PLUG, SPIDER SNAP IN                    | 1           |                     |
| 26         | 12687           | KEY, 3/8 X 2                            | 1           |                     |

# HTX-44K RIDE ON TROWEL — 4-BLADE SPIDER ASSY. (TAPERED LH)

4-BLADE SPIDER ASSY. (TAPERED LH)



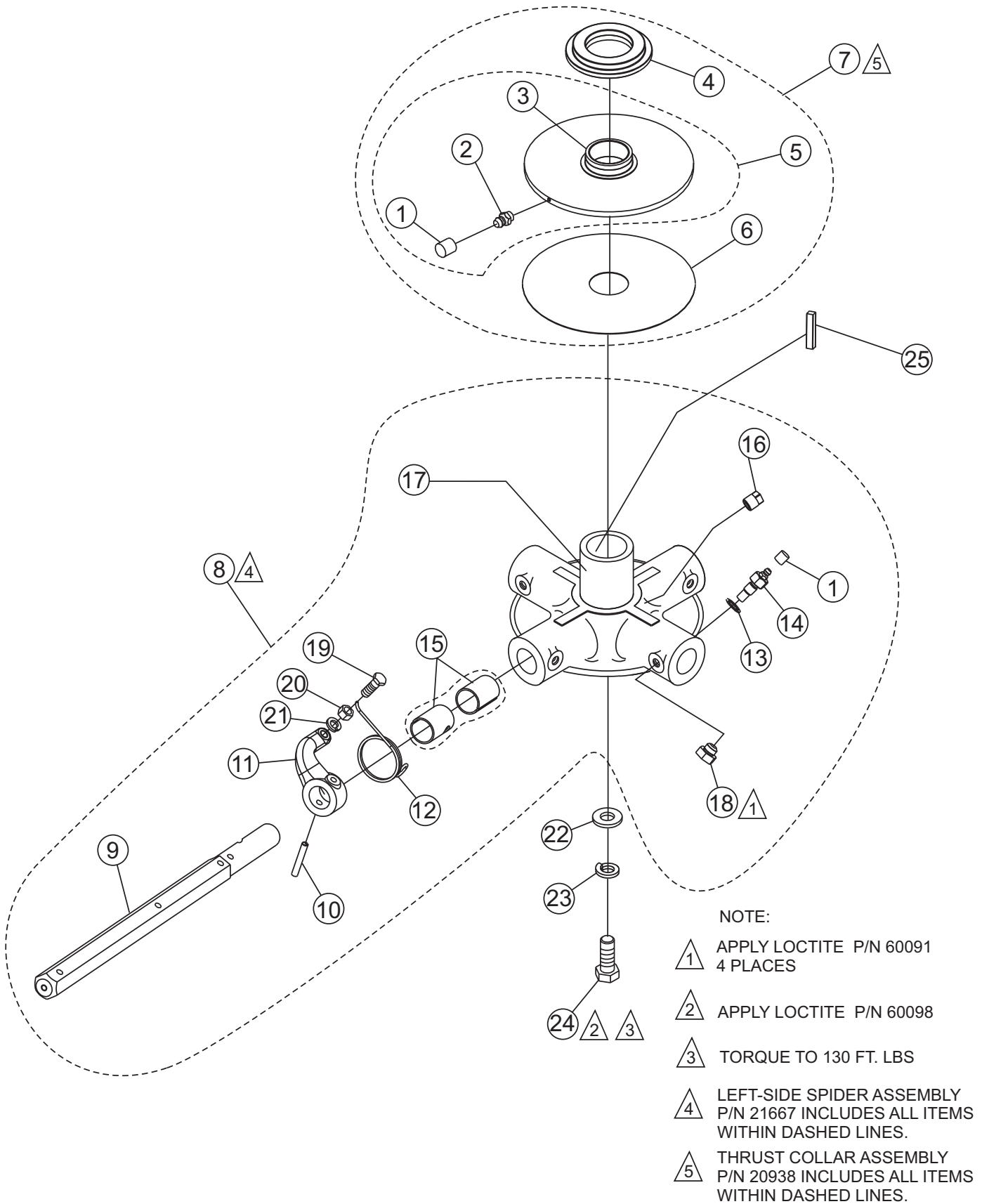
# HTX-44K RIDE ON TROWEL — 4-BLADE SPIDER ASSY. (TAPERED LH)

## 4-BLADE SPIDER ASSY. (TAPERED LH)

| <u>NO.</u> | <u>PART NO.</u> | <u>PART NAME</u>                   | <u>QTY.</u> | <u>REMARKS</u>      |
|------------|-----------------|------------------------------------|-------------|---------------------|
| 1*\$#      | 1162 A          | CAP, GREASE ZERK #2                | 5           |                     |
| 2*\$       | 2621            | ZERK, GREASE STR 1/4-28            | 1           |                     |
| 3*\$       | 20426           | BUSHING, THRUST COLLAR             | 1           |                     |
| 4*         | 12779           | BEARING, THRUST 6017 2RS W/FLANGE  | 1           |                     |
| 5*         | 11431           | THRUST COLLAR W/ BUSHING .....     | 1           | INCLUDES ITEMS W/\$ |
| 6*         | 11419           | PLATE, WEAR                        | 1           |                     |
| 7          | 20938           | THRUST COLLAR ASSY. ....           | 1           | INCLUDES ITEMS W/*  |
| 8          | 21666           | SPIDER ASSY., LH 4 BLD .....       | 1           | INCLUDES ITEMS W/#  |
| 9#         | 2829            | ARM, TROWEL, HD/HRT EXT.           | 4           |                     |
| 10#        | 9006            | PIN, ROLL 5/16 X 2                 | 4           |                     |
| 11#        | 11903           | LEVER, TROWEL ARM HYD L.S.         | 4           |                     |
| 12#        | 9111            | SPRING, LS ARM RETURN HD/HT        | 4           |                     |
| 13#        | 1875            | WASHER, INT. SHKP. 3/8             | 4           |                     |
| 14#        | 1322            | SCREW, RETAINING                   | 4           |                     |
| 15#        | 11039           | BUSHING, ARM 2 PIECE               | 8           |                     |
| 16#        | 0121 A          | FITTING, PLUG 3/8 MP SQ HEAD       | 1           |                     |
| 17#        | 21751           | SPIDER, PLATE .....                | 1           | INCLUDES ITEMS W/%  |
| 18#%       | 11602           | SCREW, HHC 3/8-16 X 1/4            | 4           |                     |
| 19#        | 0164 B          | SCREW, HHC ROUNDED 3/8-16 SPCL GR8 | 4           |                     |
| 20#        | 1876            | NUT, HEX JAM 3/8-16 CLASS 2B       | 4           |                     |
| 21#        | 0166 A          | WASHER, LOCK, 3/8 MED              | 4           |                     |
| 22         | 20073           | RETAINER, SPIDER                   | 1           |                     |
| 23         | 4388            | WASHER, LOCK, 3/4 MED              | 1           |                     |
| 24         | 20179           | SCREW, HHC 3/4 -16 X 2, GR 8       | 1           |                     |
| 25         | 12687           | KEY, 3/8 X 2                       | 1           |                     |

# HTX-44K RIDE ON TROWEL — 4-BLADE SPIDER ASSY. (TAPERED RH)

## 4-BLADE SPIDER ASSY. (TAPERED RH)



# HTX-44K RIDE ON TROWEL — 4-BLADE SPIDER ASSY. (TAPERED RH)

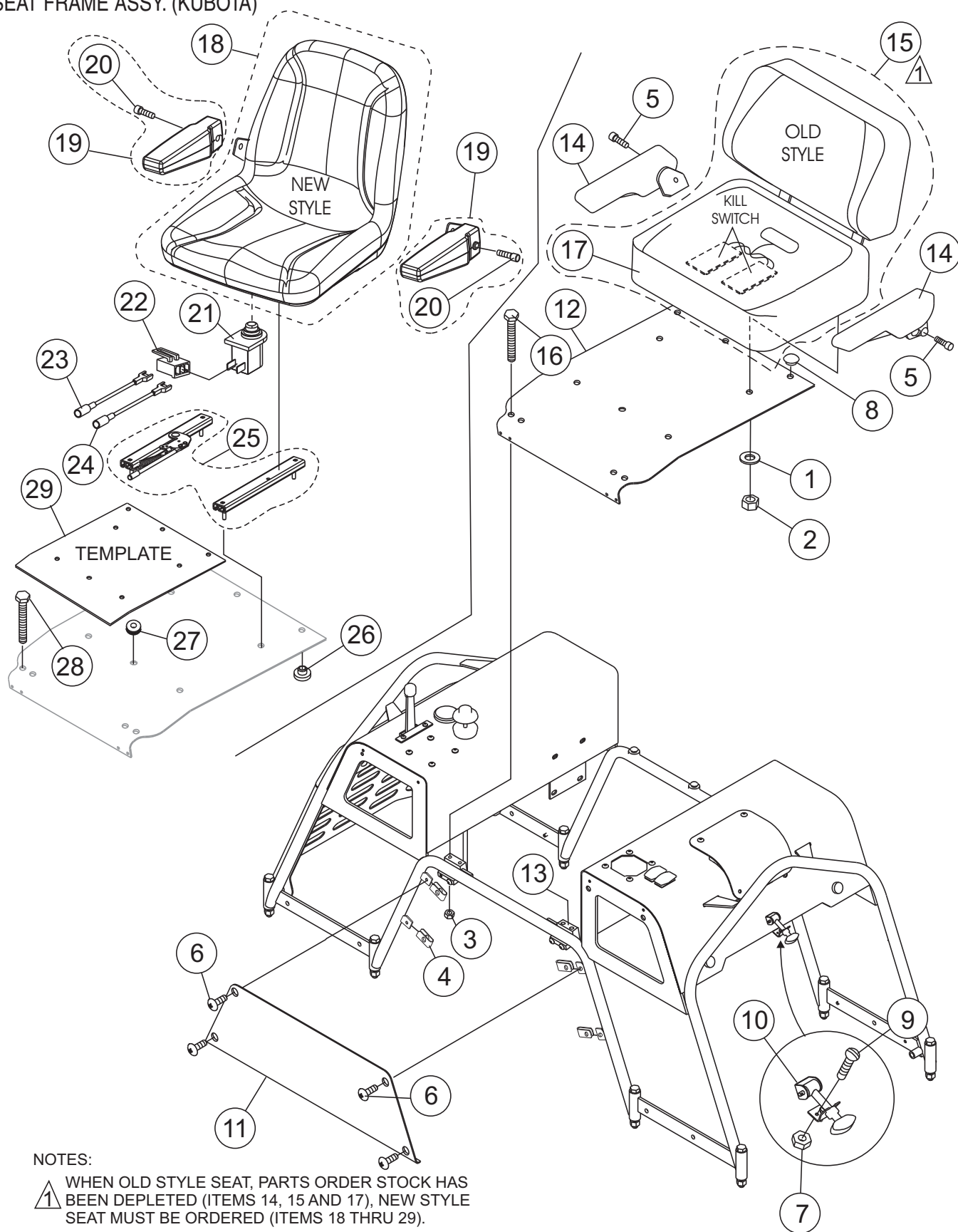
## 4-BLADE SPIDER ASSY.

| <u>NO.</u> | <u>PART NO.</u> | <u>PART NAME</u>                   | <u>QTY.</u> | <u>REMARKS</u>      |
|------------|-----------------|------------------------------------|-------------|---------------------|
| 1*\$#      | 1162 A          | CAP, GREASE ZERK #2                | 5           |                     |
| 2*\$       | 2621            | ZERK, GREASE STR 1/4-28            | 1           |                     |
| 3*\$       | 20426           | BUSHING, THRUST COLLAR             | 1           |                     |
| 4*         | 12779           | BEARING, THRUST 6017 2RS W/FLANGE  | 1           |                     |
| 5*         | 11431           | THRUST COLLAR W/ BUSHING .....     | 1           | INCLUDES ITEMS W/\$ |
| 6*         | 11419           | PLATE, WEAR                        | 1           |                     |
| 7          | 20938           | THRUST COLLAR ASSY. ....           | 1           | INCLUDES ITEMS W/*  |
| 8          | 21667           | SPIDER ASSY., RH 4 BLD .....       | 1           | INCLUDES ITEMS W/#  |
| 9#         | 2829            | ARM, TROWEL, HD/HRT EXT.           | 4           |                     |
| 10#        | 9006            | PIN, ROLL 5/16 X 2                 | 4           |                     |
| 11#        | 11904           | LEVER, TROWEL ARM HYD R.S.         | 4           |                     |
| 12#        | 2143            | SPRING, RS ARM RETURN HD/HT        | 4           |                     |
| 13#        | 1875            | WASHER, INT. SHKP. 3/8             | 4           |                     |
| 14#        | 1322            | SCREW, RETAINING                   | 4           |                     |
| 15#        | 11039           | BUSHING, ARM 2 PIECE               | 8           |                     |
| 16#        | 0121 A          | FITTING, PLUG 3/8 MP SQ HEAD       | 1           |                     |
| 17#        | 21751           | SPIDER, PLATE .....                | 1           | INCLUDES ITEMS W/%  |
| 18#%       | 11602           | SCREW, HHC 3/8-16 X 1/4            | 4           |                     |
| 19#        | 0164 B          | SCREW, HHC ROUNDED 3/8-16 SPCL GR8 | 4           |                     |
| 20#        | 1876            | NUT, HEX JAM 3/8-16 CLASS 2B       | 4           |                     |
| 21#        | 0166 A          | WASHER, LOCK, 3/8 MED              | 4           |                     |
| 22         | 20073           | RETAINER, SPIDER                   | 1           |                     |
| 23         | 4388            | WASHER, LOCK, 3/4 MED              | 1           |                     |
| 24         | 20179           | SCREW, HHC 3/4 -16 X 2, GR 8       | 1           |                     |
| 25         | 12687           | KEY, 3/8 X 2                       | 1           |                     |



# HTX-44K RIDE-ONTROWEL — SEAT FRAME ASSY. (KUBOTA)

## SEAT FRAME ASSY. (KUBOTA)



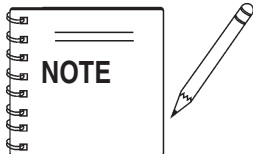
### NOTES:

- ⚠ WHEN OLD STYLE SEAT, PARTS ORDER STOCK HAS BEEN DEPLETED (ITEMS 14, 15 AND 17), NEW STYLE SEAT MUST BE ORDERED (ITEMS 18 THRU 29).

# HTX-44K RIDE-ON TROWEL — SEAT FRAME ASSY. (KUBOTA)

## SEAT FRAME ASSY. (KUBOTA)

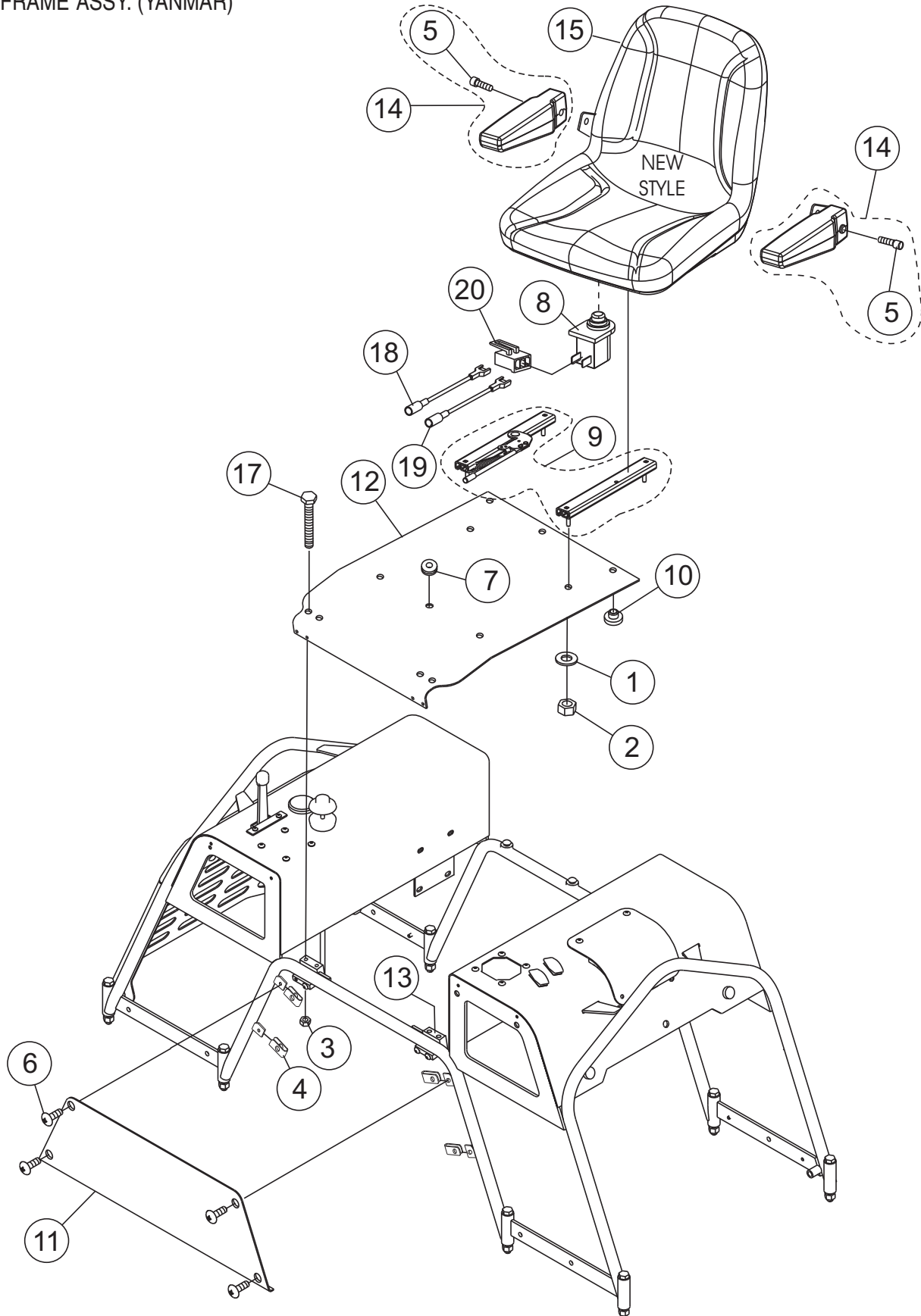
| <u>NO.</u> | <u>PART NO.</u> | <u>PART NAME</u>                               | <u>QTY.</u> | <u>REMARKS</u>                             |
|------------|-----------------|--|-------------|--|
| 1          | 0300 B          | WASHER, FLAT 5/16 SAE                          | 4           |  |
| 2          | 5283            | NUT, NYLOC 5/16-18                             | 4           |  |
| 3          | 10024           | NUT, NYLOC 1/4-20                              | 4           |  |
| 4          | 11534           | NUT U TYPE 1/4-20                              | 4           |  |
| 5          | 11821           | SCREW, SHC M8-1.25 X 25 GR10.9, NP             | 2           |  |
| 6          | 12287           | SCREW, THP 1/4-20 X 3/4 SS                     | 4           |  |
| 7          | 13287           | NUT, NYLOC #8-32                               | 4           |  |
| 8          | 15161           | STOP, RUBBER BUMPER                            | 7           |  |
| 9          | 15175           | SCREW, PAN HEAD 8-32 X 3/4                     | 4           |  |
| 10         | 20673           | LATCH, RUBBER HOOD                             | 2           |  |
| 11         | 20676           | PANEL, SEAT FRAME FRONT CENTER .....           | 1           | SAFETY ITEM. SEE NOTE                      |
| 12         | 20679           | PLATFORM, OPERATOR SEAT                        | 1           |  |
| 13         | 20685           | BLOCK, OPERATOR SEAT-PIVOT                     | 2           |  |
| 14         | 20995           | ARM REST ASSY., SET OF 2                       | 1           |  |
| 15         | 21420           | BASIC SEAT, W/KILL SWITCH (NO ARMS) .....      | 1           | SAFETY ITEM. SEE NOTE<br>INCLUDES ITEM W/* |
| 16         | 26385           | SCREW, HHC 1/4-20 X 2.25                       | 4           |  |
| 17*        | 21609           | SEAT, CUSHION W/KILL SWITCH .....              | 1           | SEE NOTE                                   |
| 18         | 21860           | SEAT, ASSY., NO ARMS .....                     | 1           | SAFETY ITEM                                |
| 19         | 21868           | ARM REST KIT, SET OF 2 .....                   | 1           | INCLUDES ITEM W/#                          |
| 20#        | 21869           | SCREW, 5/16-18 X 5/8 SELF TAP BUTTON           | 2           |  |
| 21         | 21870           | SWITCH, KILL, DELTA SYSTEMS 644-62 .....       | 1           | SAFETY ITEM                                |
| 22         | 21936           | CONNECTOR BODY - 2 PIN MICH. SEAT .....        | 1           | SAFETY ITEM                                |
| 23         | 21924           | WIRE ASSY., 16 GA RED X 11" .....              | 1           | SAFETY ITEM                                |
| 24         | 21923           | WIRE ASSY., 16 GA VIOLET/ORANGE X 12.50" ..... | 1           | SAFETY ITEM                                |
| 25         | 21865           | SEAT ADJUSTER KIT, MICHIGAN V-2805             | 1           |  |
| 26         | 21597           | BUMPER STEM 1.0" D X .5 X .31                  | 7           |  |
| 27         | 19468           | GROMMET, MINOR-PNZ 4004                        | 1           |  |
| 28         | 20909           | SCREW, HHC 1/4-20 X 2.00                       | 4           |  |
| 29         | 21916           | TEMPLATE, PLATFORM SEAT                        |             |  |



WHEN OLD STYLE SEAT, PARTS ORDER STOCK HAS BEEN DEPLETED (ITEMS 14, 15 AND 17)  
NEW STYLE SEAT MUST BE ORDERED (ITEMS 18 THRU 29).

# HTX-44Y RIDE-ON TROWEL — SEAT FRAME ASSY. (YANMAR)

SEAT FRAME ASSY. (YANMAR)



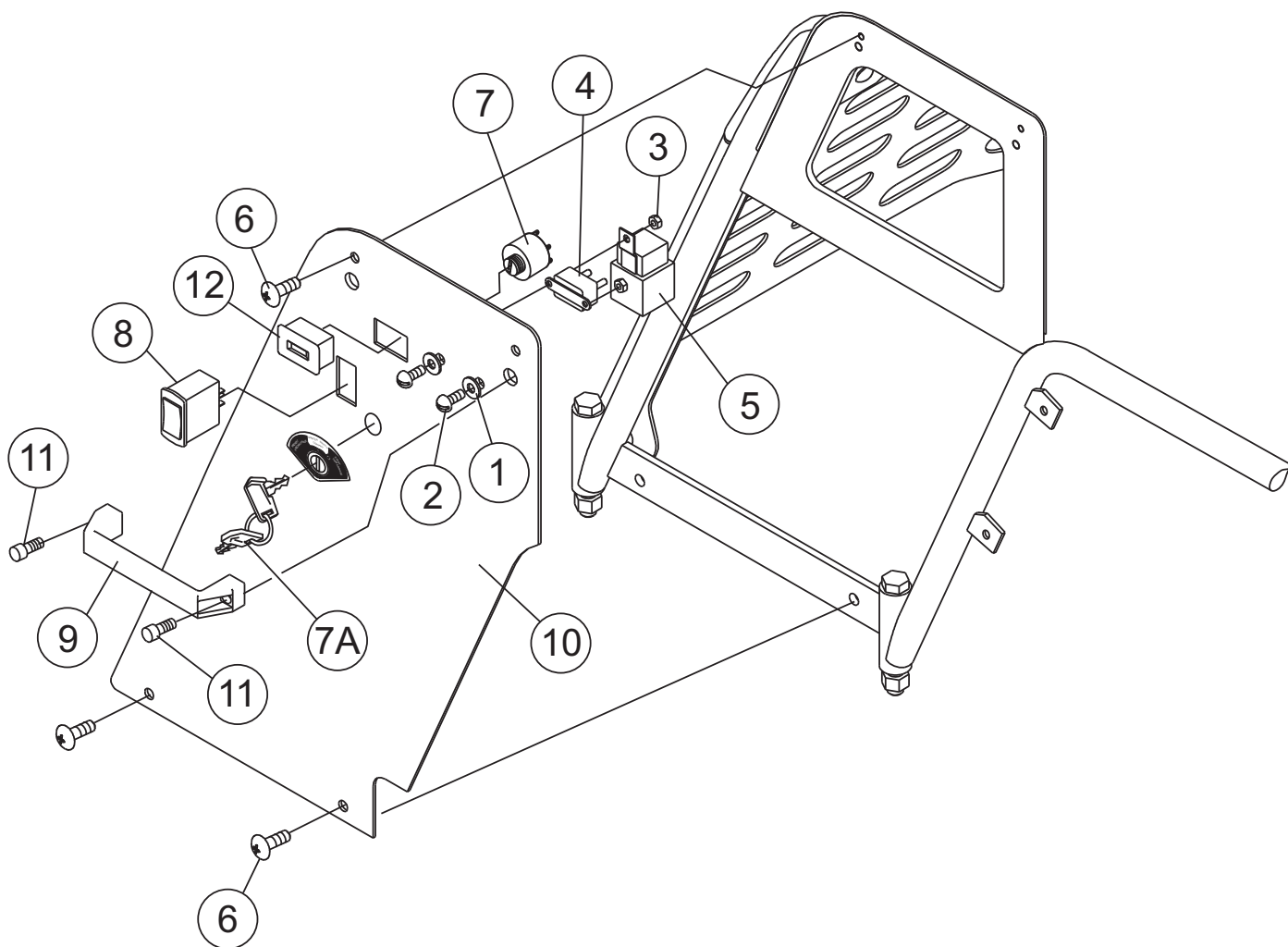
# HTX-44Y RIDE-ON TROWEL — SEAT FRAME ASSY. (YANMAR)

SEAT FRAME ASSY. YANMAR)

| <u>NO.</u> | <u>PART NO.</u> | <u>PART NAME</u>                               | <u>QTY.</u> | <u>REMARKS</u>    |
|------------|-----------------|--|-------------|-------------------|
| 1          | 0300 B          | WASHER, FLAT 5/16 SAE                          | 4           |                   |
| 2          | 5283            | NUT, NYLOC 5/16-18                             | 4           |                   |
| 3          | 10024           | NUT, NYLOC 1/4-20                              | 4           |                   |
| 4          | 11534           | NUT U TYPE 1/4-20                              | 4           |                   |
| 5#         | 21869           | SCREW, 5/16-18 X 5/8 SELF TAP BUTTON           | 2           |                   |
| 6          | 12287           | SCREW, THP 1/4-20 X 3/4 SS                     | 4           |                   |
| 7          | 19468           | GROMMET, MINOR-PNZ 4004                        | 1           |                   |
| 8          | 21870           | SWITCH, KILL, DELTA SYSTEMS 644-62 .....       | 1           | SAFETY ITEM       |
| 9          | 21865           | SEAT ADJUSTER KIT, MICHIGAN V-2805             | 1           |                   |
| 10         | 21597           | BUMPER STEM 1.0" D X .5 X .31                  | 7           |                   |
| 11         | 20676           | PANEL, SEAT FRAME FRONT CENTER .....           | 1           | SAFETY ITEM       |
| 12         | 20679           | PLATFORM, OPERATOR SEAT                        | 1           |                   |
| 13         | 20685           | BLOCK, OPERATOR SEAT-PIVOT                     | 2           |                   |
| 14         | 21868           | ARM REST KIT, SET OF 2 .....                   | 1           | INCLUDES ITEM W/# |
| 15         | 21860           | SEAT, ASSY., NO ARMS .....                     | 1           | SAFETY ITEM       |
| 17         | 20909           | SCREW, HHC 1/4-20 X 2.00 .....                 | 4           |                   |
| 18         | 21923           | WIRE ASSY., 16 GA VIOLET/ORANGE X 12.50" ..... | 1           | SAFETY ITEM       |
| 19         | 21924           | WIRE ASSY., 16 GA RED X 11" .....              | 1           | SAFETY ITEM       |
| 20         | 21936           | CONNECTOR BODY - 2 PIN MICH. SEAT .....        | 1           | SAFETY ITEM       |

# HTX-44K/Y RIDE-ON TROWEL — FRONT PANEL ASSY. (RIGHT-SIDE)

FRONT PANEL ASSY. (RIGHT-SIDE)



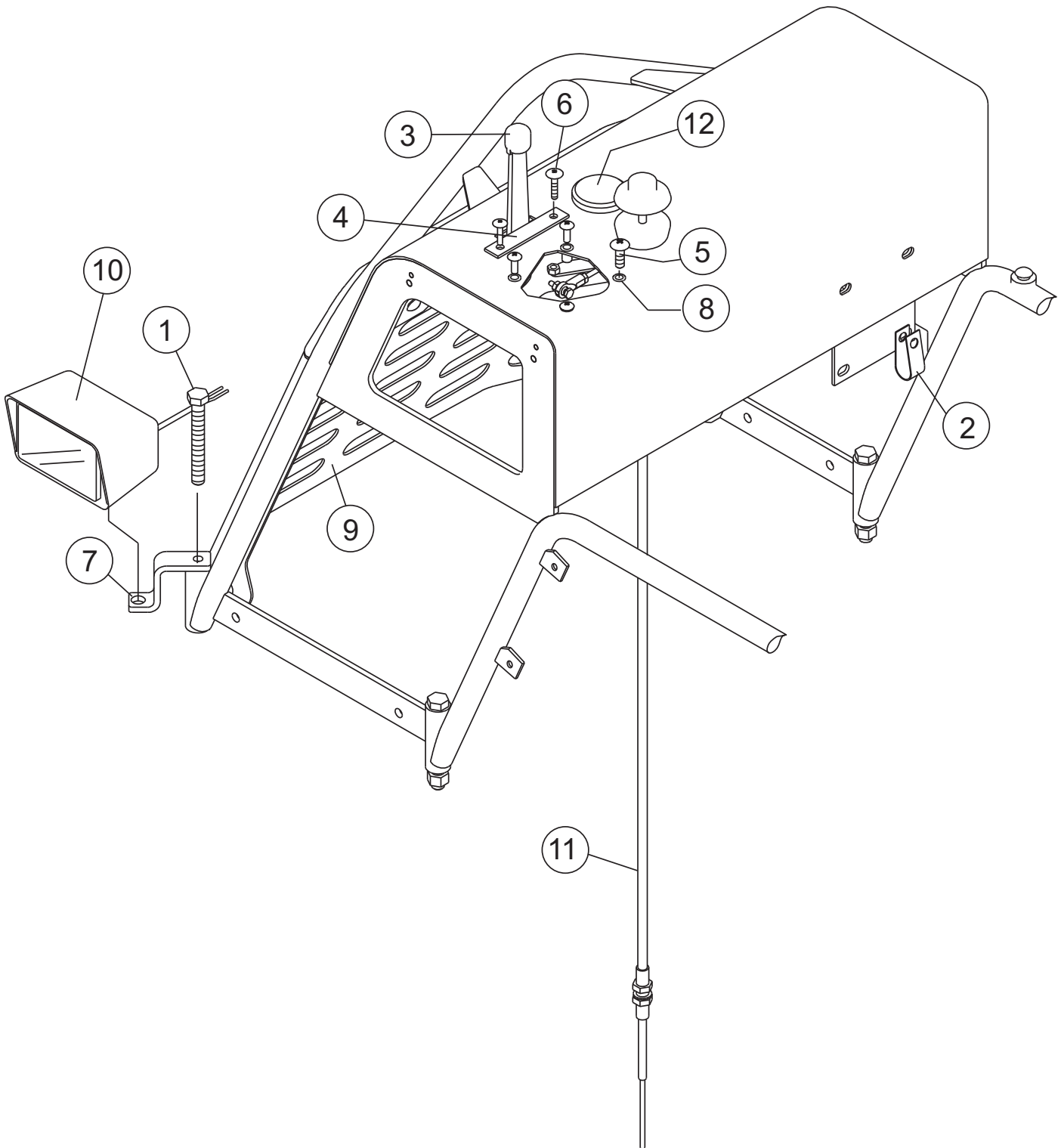
# HTX-44K/Y RIDE-ON TROWEL — FRONT PANEL ASSY. (RIGHT-SIDE)

## FRONT PANEL ASSY. (RIGHT-SIDE)

| <u>NO.</u> | <u>PART NO.</u> | <u>PART NAME</u>                    | <u>QTY.</u> | <u>REMARKS</u> |
|------------|-----------------|-------------------------------------|-------------|----------------|
| 1          | 2203            | WASHER, FLAT # 10 SAE               | 2           |                |
| 2          | 5065 B          | SCREW, RHM 10-32 X 1/2              | 2           |                |
| 3          | 10019           | NUT, NYLOC 10-32                    | 2           |                |
| 4          | 11098           | CIRCUIT BRKR,WAYTEK#46540 40 AMP    | 1           |                |
| 5          | 12017           | RELAY, KILL .....                   | 1           | SAFETY ITEM    |
| 6          | 12287           | SCREW, THP 1/4-20 X 3/4 SS          | 4           |                |
| 7          | 20511           | SWITCH, IGNITION .....              | 1           | KUBOTA         |
| 7          | 1E01363590      | SWITCH, IGNITION .....              | 1           | YANMAR         |
| 7A         | 12940           | KEY, IGNITION .....                 | 2           | KUBOTA         |
| 7A         | 12627           | KEY, IGNITION .....                 | 2           | YANMAR         |
| 8          | 406000          | SWITCH, ROCKER DP-DT                | 1           |                |
| 9          | 20674           | HANDLE, GRAB .....                  | 1           | SAFETY ITEM    |
| 10         | 20677           | PANEL, SEAT FRAME FRONT RIGHT ..... | 1           | SAFETY ITEM    |
| 11         | 21575           | SCREW, SHC 5/16-18 X 3/4            | 2           |                |
| 12         | 29640           | HR METER, SENDEC RECT FLUS MT       | 1           |                |

# HTX-44K/Y RIDE-ON TROWEL — FRAME ASSY. (RIGHT-FRONT)

FRAME ASSY. (RIGHT-FRONT)





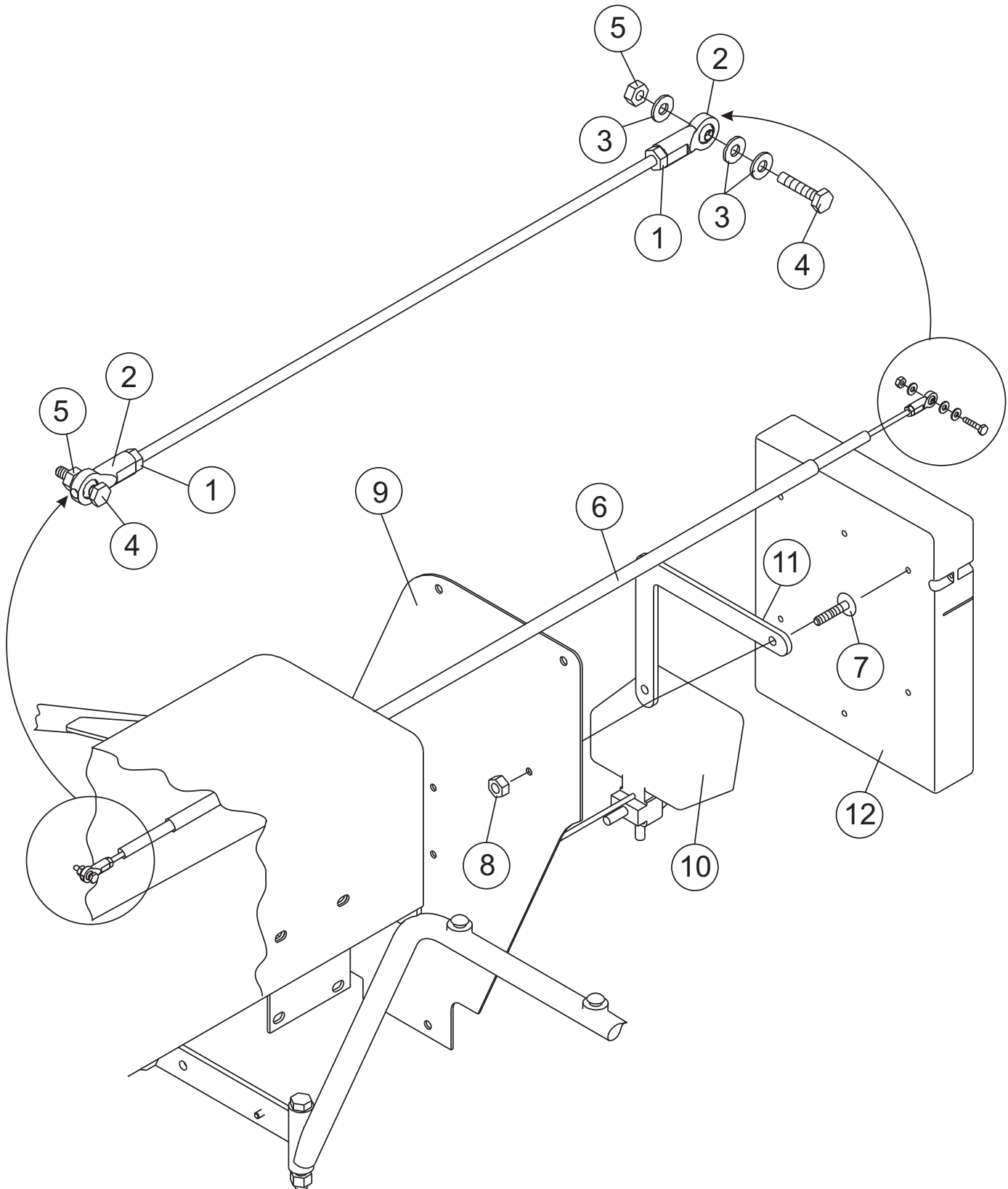
# HTX-44K/Y RIDE-ON TROWEL — FRAME ASSY. (RIGHT-FRONT)

## FRAME ASSY. (RIGHT-FRONT)

| <u>NO.</u> | <u>PART NO.</u> | <u>PART NAME</u>                | <u>QTY.</u> | <u>REMARKS</u>       |
|------------|-----------------|---------------------------------|-------------|----------------------|
| 1          | 8087            | SCREW, HHC 1/2-13 X 4           | 4           |                      |
| 2          | 8128            | CLAMP, HOSE SUPPORT, 5/16       | 1           |                      |
| 3          | 11379           | LEVER, THROTTLE                 | 1           |                      |
| 4          | 11712           | ENGINE SPEED DECAL              | 1           |                      |
| 5          | 12287           | SCREW, THP 1/4-20 X 3/4 SS      | 4           |                      |
| 6          | 12288           | SCREW, THP 1/4-20 X 1           | 2           |                      |
| 7          | 12355           | BRACKET, LIGHT                  | 2           |                      |
| 8          | 19266           | NUT, BLIND 1/4-20 X 10GA        | 4           |                      |
| 9          | 20680           | GUARD W/GRILL .....             | 1           | SAFETY ITEM (KUBOTA) |
| 9          | 21925           | GUARD W/GRILL .....             | 1           | SAFETY ITEM (YANMAR) |
| 10         | 21052           | LIGHT, SPEAKER WIDE FLOOD ..... | 1           | SAFETY ITEM          |
| 11         | 21341           | CABLE, CTRL THUMB RELEASE 46"   | 1           |                      |
| 12         | 406021          | GAUGE, ENGINE STATUS            | 1           |                      |

# HTX-44K/Y RIDE-ON TROWEL — FRAME ASSY. (RIGHT-REAR)

FRAME ASSY. (RIGHT-REAR)



# HTX-44K/Y RIDE-ON TROWEL — FRAME ASSY. (RIGHT-REAR )

## FRAME ASSY. (RIGHT-REAR)

| <u>NO.</u> | <u>PART NO.</u> | <u>PART NAME</u>                 | <u>QTY.</u> | <u>REMARKS</u>    |
|------------|-----------------|----------------------------------|-------------|-------------------|
| 1          | 0937            | NUT,HEX #10-32                   | 2           |                   |
| 2          | 2153            | ROD END, 10-32 FEMALE RH         | 2           |                   |
| 3          | 2203            | WASHER, FLAT # 10 SAE            | 5           |                   |
| 4          | 3513            | SCREW, HHC 10-32 X 1             | 2           |                   |
| 5          | 10019           | NUT, NYLOC 10-32                 | 2           |                   |
| 6          | 10568           | CABLE, THROTTLE                  | 1           |                   |
| 7          | 12287           | SCREW, THP 1/4-20 X 1            | 5           |                   |
| 8          | 19266           | NUT, BLIND 1/4-20 X 10GA         | 5           |                   |
| 9          | 20678           | PANEL, SEATFRAME RIGHT-REAR..... | 1           | ..... SAFETY ITEM |
| 10         | 21052           | LIGHT, SPEAKER WIDE FLOOD        | 1           |                   |
| 11         | 21604           | SPACER, DOCUMENT BOX             | 1           |                   |
| 12         | 29057           | DOCUMENT BOX, (CP90007-07)       | 1           |                   |



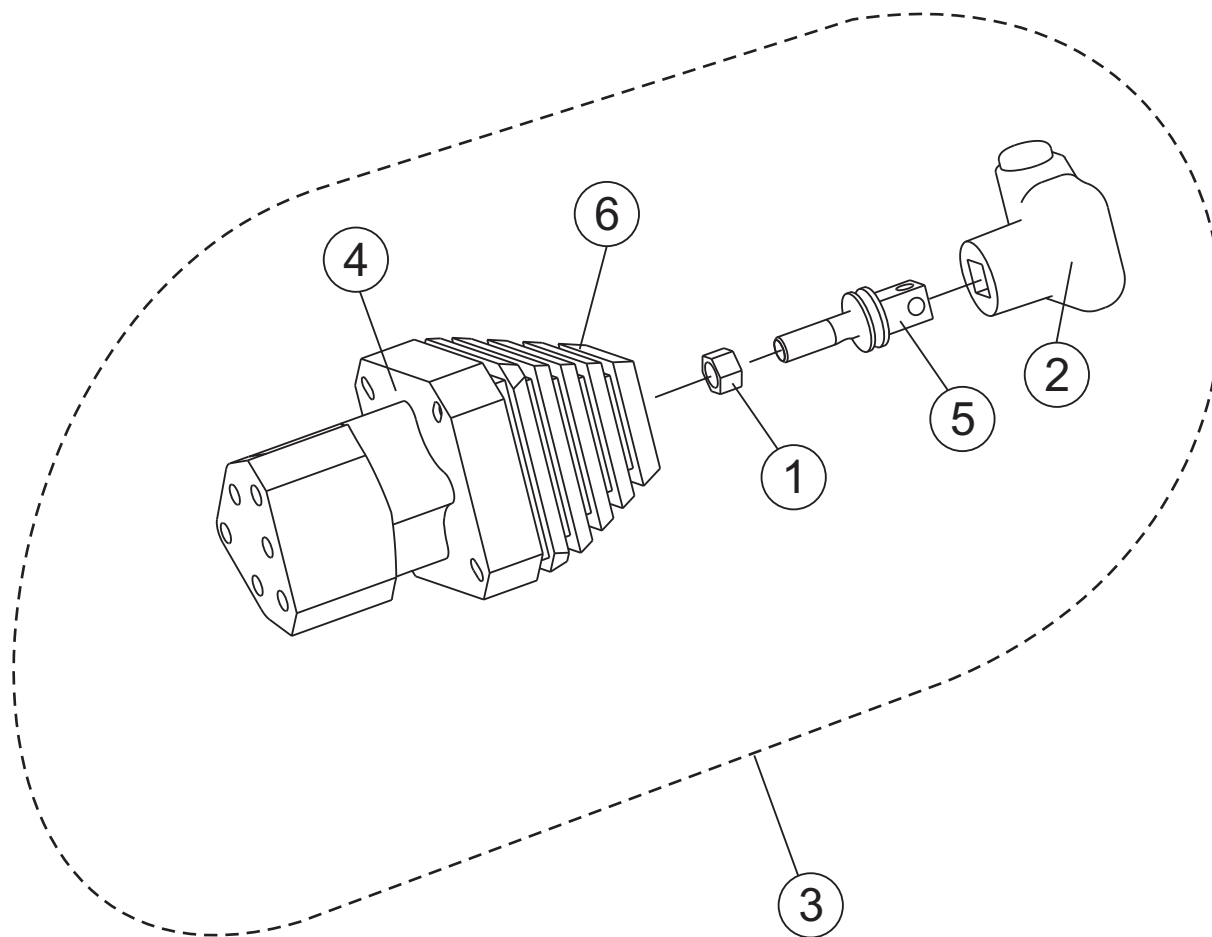
# HTX-44K/Y RIDE-ON TROWEL — FRAME ASSY. (LEFT-FRONT/REAR)

## FRAME ASSY. (LEFT-FRONT/REAR)

| <u>NO.</u> | <u>PART NO.</u> | <u>PART NAME</u>                    | <u>QTY.</u> | <u>REMARKS</u>       |
|------------|-----------------|-------------------------------------|-------------|----------------------|
| 1          | 12287           | SCREW, THP 1/4-20 X 3/4 SS          | 12          |                      |
| 2          | 13287           | NUT, NYLOC #8-32 .....              | 2           | KUBOTA               |
| 3          | 15175           | SCREW, PAN HEAD 8-32 X 3/4 .....    | 2           | KUBOTA               |
| 4          | 19266           | NUT, BLIND 1/4-20 X 10GA            | 4           |                      |
| 5          | 20660           | SEAT FRAME W/A                      | 1           |                      |
| 6          | 20673           | LATCH, RUBBER HOOD .....            | 1           | KUBOTA               |
| 7          | 20674           | HANDLE, GRAB .....                  | 1           | SAFETY ITEM          |
| 8          | 20675           | PANEL, SEAT FRAME FRONT LEFT .....  | 1           | SAFETY ITEM          |
| 9          | 20678           | PANEL, SEAT FRAME REAR LEFT .....   | 1           | SAFETY ITEM          |
| 10         | 20680           | GUARD/W, GRILL W/A .....            | 1           | SAFETY ITEM (KUBOTA) |
| 10         | 21925           | GUARD/W, GRILL W/A .....            | 1           | SAFETY ITEM (YANMAR) |
| 11         | 20693           | PANEL, RADIATOR COVER .....         | 1           | SAFETY ITEM          |
| 12         | 21052           | LIGHT, SPEAKER WIDE FLOOD .....     | 2           | SAFETY ITEM          |
| 13         | 21470           | SWITCH, ON-OFF-ON                   | 2           |                      |
| 14         | 21575           | SCREW, SHC 5/16-18 X 3/4            | 2           |                      |
| 15         | 21597           | BUMPER,STEM 1"DIA X.5"STEMX.31TK    | 2           |                      |
| 16         | 21894           | CLIP, FAST LEAD .....               | 2           | YANMAR               |
| 17         | 21893           | SCREW, FAST LEAD .....              | 2           | YANMAR               |
| 18         | 21986           | WASHER, FAST LEAD - STAINLESS ..... | 2           | YANMAR               |
| 19         | 121252-44510    | RADIATOR BOTTLE                     | 1           |                      |
| 20         | 0131 A          | SCREW, HHC 1/4 - 20 X 3/4           | 4           |                      |
| 21         | 21947           | BRACKET, RADIATOR BOTTLE MOUNT      | 1           |                      |
| 22         | 12125644600     | BRACKET, RADIATOR BOTTLE            | 1           |                      |
| 23         | 0948            | WASHER, FLAT 1/4 SAE                | 4           |                      |
| 24         | 10024           | NUT, NYLOC 1/4-20                   | 6           |                      |
| 25         | 10024           | NUT, NYLOC 1/4-20                   | 6           |                      |
| 26         | 12287           | SCREW, THP 1/4 - 20 X 3/4 SS        | 2           |                      |

# HTX-44K RIDE-ON TROWEL — RIGHT-HAND VALVE ASSY.

RIGHT-HAND VALVE ASSY. (KUBOTA S/N 2000885 AND BELOW)



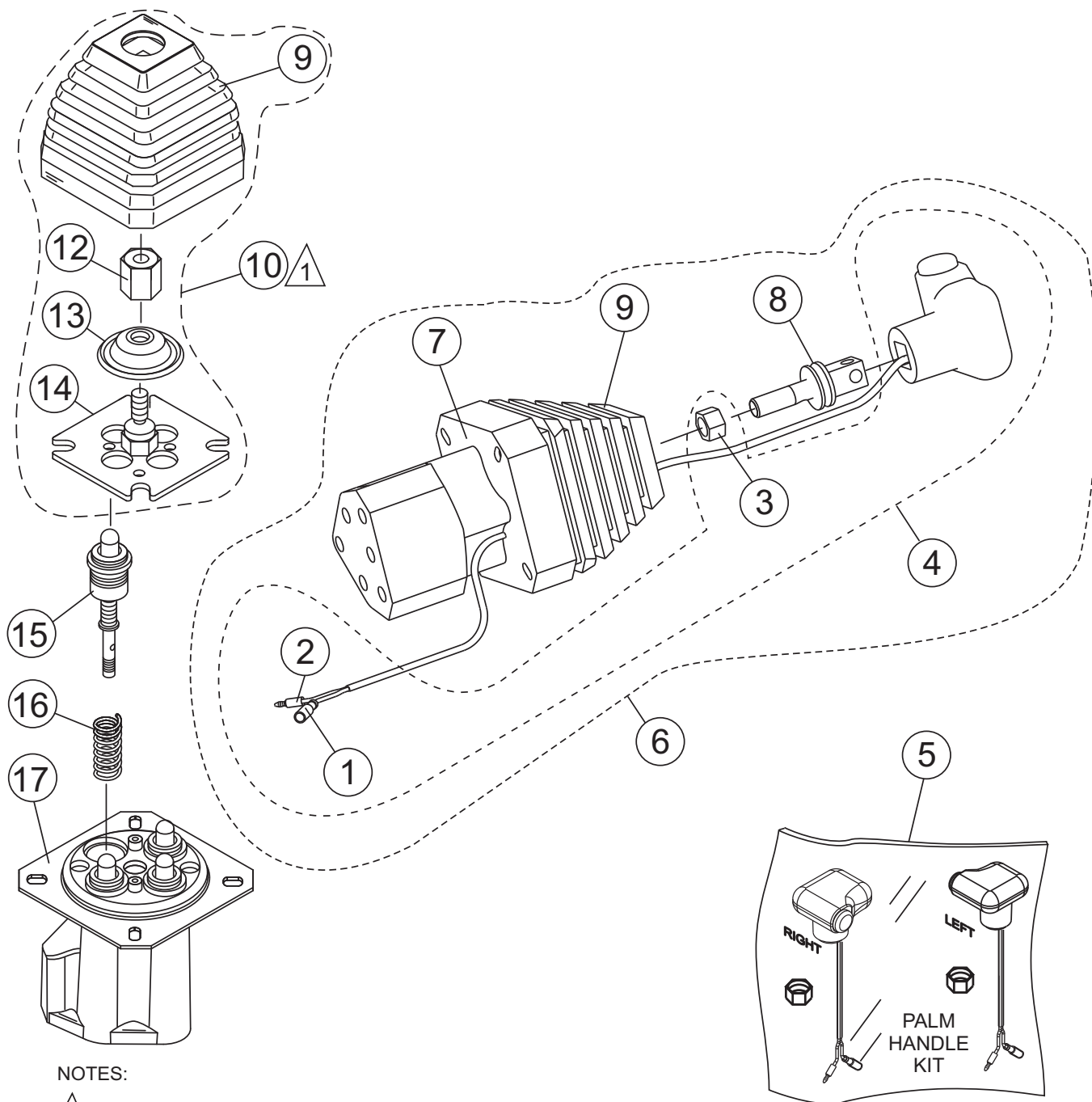
# HTX-44K RIDE-ON TROWEL — RIGHT-HAND VALVE ASSY.

RIGHT-HAND VALVE ASSY. (KUBOTA S/N 2000885 AND BELOW)

| <u>NO.</u> | <u>PART NO.</u> | <u>PART NAME</u>                             | <u>QTY.</u> | <u>REMARKS</u>     |
|------------|-----------------|--|-------------|--------------------|
| 1*         | 16083           | NUT, HEX M12 P1.75                           | 1           |                    |
| 2*         | 20149           | PALM HANDLE, RIGHT HAND W/O SWITCH           | 1           |                    |
| 3          | 20830           | VALVE ASSY., RIGHT HAND STG W/O SWITCH ..... | 1 .....     | INCLUDES ITEMS W/* |
| 4*         | 20832           | RH STEERING VALVE                            | 1           |                    |
| 5*         | 20834           | ADAPTOR, RH PALM HANDLE                      | 1           |                    |
| 6*         | 21631           | BOOT, STEERING VALVE                         | 1           |                    |

# HTX-44K/Y RIDE-ON TROWEL — RIGHT-HAND VALVE ASSY.

RIGHT-HAND VALVE ASSY. (KUBOTA/YANMAR - S/N 2000886 AND ABOVE)



NOTES:

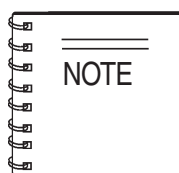
- 1 ITEMS 12, 13 AND 14 CANNOT BE PURCHASED SEPARATELY.



# HTX-44K/Y RIDE-ON TROWEL — RIGHT-HAND VALVE ASSY.

RIGHT-HAND VALVE ASSY. (KUBOTA/YANMAR - S/N 2000886 AND ABOVE)

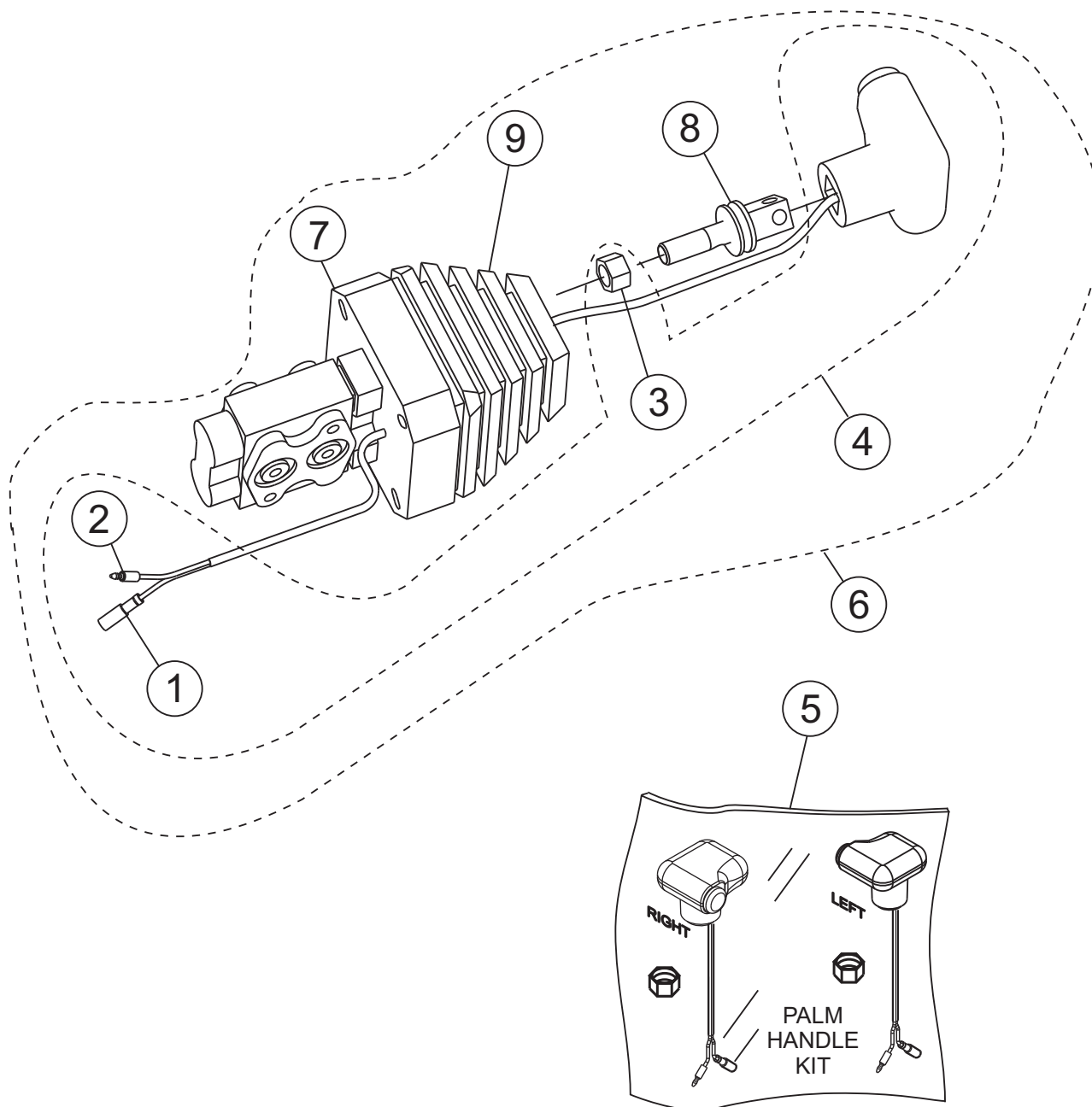
| <u>NO.</u> | <u>PART NO.</u> | <u>PART NAME</u>                            | <u>QTY.</u> | <u>REMARKS</u>      |
|------------|-----------------|---|-------------|---------------------|
| 1#*\$      | 1318            | TERMINAL, BULLET, FEMALE, 18-22             | 1           |                     |
| 2#*\$      | 4692            | TERMINAL, BULLET MALE 14-16                 | 1           |                     |
| 3#*\$      | 16083           | NUT, HEX M12 P1.75                          | 1           |                     |
| 4*\$       | 20155           | PALM HANDLE, W/SWITCH, RIGHT .....          | 1           | INCLUDES ITEMS W/#  |
| 5          | 20165           | PALM HANDLE KIT, L/R HANDLES W/O BOOT ..... | 1           | INCLUDES ITEMS W/\$ |
| 6          | 20829           | VALVE ASSY., W/SWITCH .....                 | 1           | INCLUDES ITEMS W/*  |
| 7*         | 20832           | VALVE, RH STEERING                          | 1           |                     |
| 8*         | 20834           | ADAPTOR, RH PALM HANDLE                     | 1           |                     |
| 9%*        | 21631           | BOOT, STEERING VALVE                        | 1           |                     |
| 10         | 432233013       | GUIDE PLATE KIT .....                       | 1           | INCLUDES ITEMS W/%  |
| 11%        |                 | BOOT, STEERING VALVE .....                  | 1           | SEE NOTE BELOW      |
| 12%        |                 | NUT .....                                   | 1           | SEE NOTE BELOW      |
| 13%        |                 | GUIDE PLATE BUSHING .....                   | 1           | SEE NOTE BELOW      |
| 14%        |                 | UPPER GUIDE PLATE .....                     | 1           | SEE NOTE BELOW      |
| 15         | 321800006       | VALVE                                       | 4           |                     |
| 16         | 421801100       | SPRING, RETURN                              | 4           |                     |
| 17         | 430033036       | LOWER GUIDE PLATE                           | 1           |                     |



ITEMS 12 THRU 14 CANNOT BE PURCHASED SEPARATELY

# HTX-44K/Y RIDE-ON TROWEL — LEFT-HAND VALVE ASSY.

LEFT-HAND VALVE ASSY.



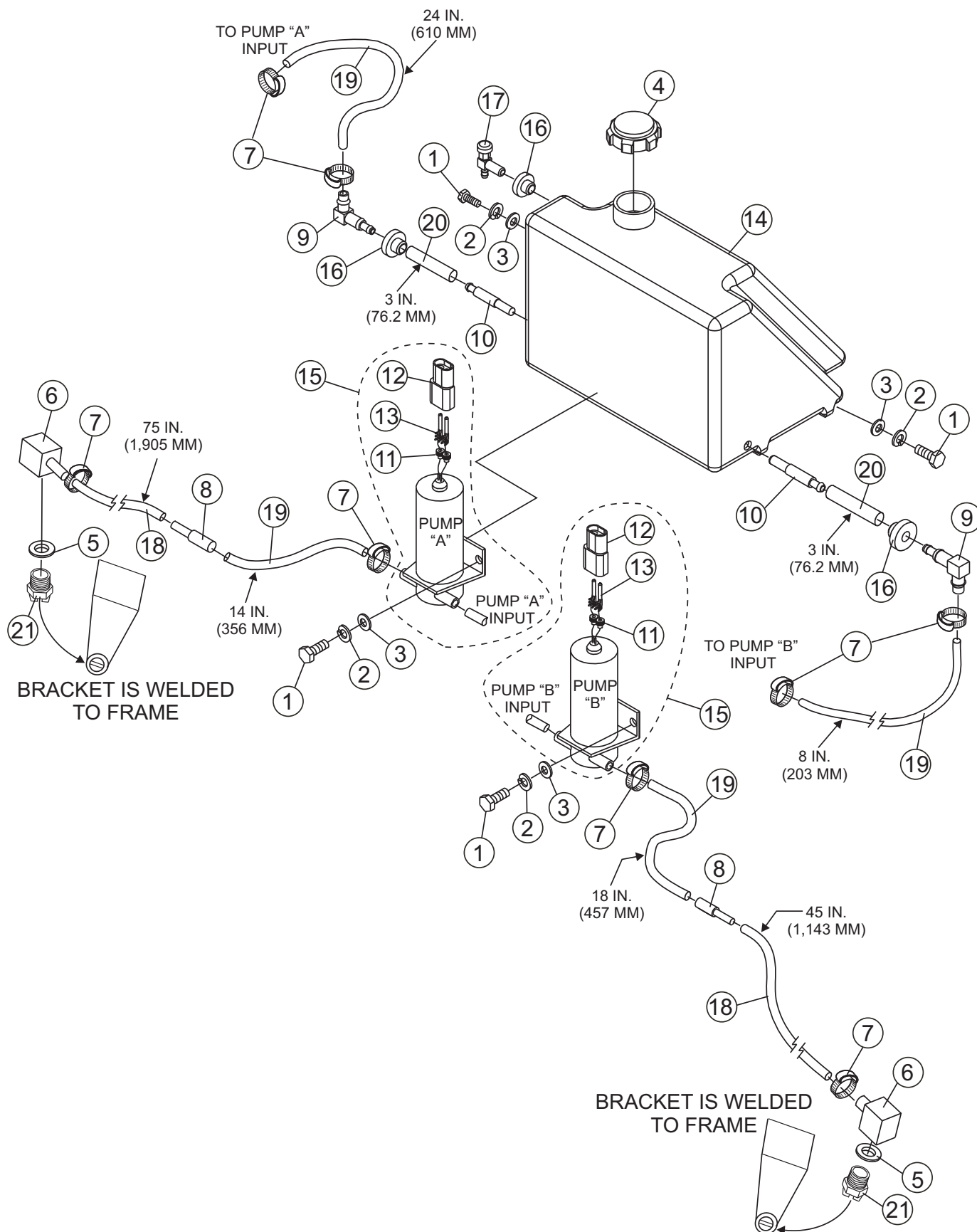
# HTX-44K/Y RIDE-ON TROWEL — LEFT-HAND VALVE ASSY.

## LEFT-HAND VALVE ASSY.

| <u>NO.</u> | <u>PART NO.</u> | <u>PART NAME</u>                            | <u>QTY.</u> | <u>REMARKS</u>      |
|------------|-----------------|---|-------------|---------------------|
| 1#*\$      | 1318            | TERMINAL, BULLET, FEMALE, 18-22             | 1           |                     |
| 2#*\$      | 4692            | TERMINAL, BULLET MALE 14-16                 | 1           |                     |
| 3#*\$      | 16083           | NUT, HEX M12 P1.75                          | 1           |                     |
| 4*\$       | 20150           | PALM HANDLE, W/SWITCH, LEFT .....           | 1           | INCLUDES ITEMS W/#  |
| 5          | 20165           | PALM HANDLE KIT, L/R HANDLES W/O BOOT ..... | 1           | INCLUDES ITEMS W/\$ |
| 6          | 20831           | VALVE ASSY. W/SWITCH .....                  | 1           | INCLUSES ITEMS W/*  |
| 7*         | 20833           | VALVE, LH STEERING                          | 1           |                     |
| 8*         | 21053           | ADAPTOR, LH PALM HANDLE                     | 1           |                     |
| 9*         | 21631           | BOOT, STEERING VALVE                        | 1           |                     |

# HTX-44K/Y RIDE-ON TROWEL — SPRAY ASSY.

SPRAY ASSY.



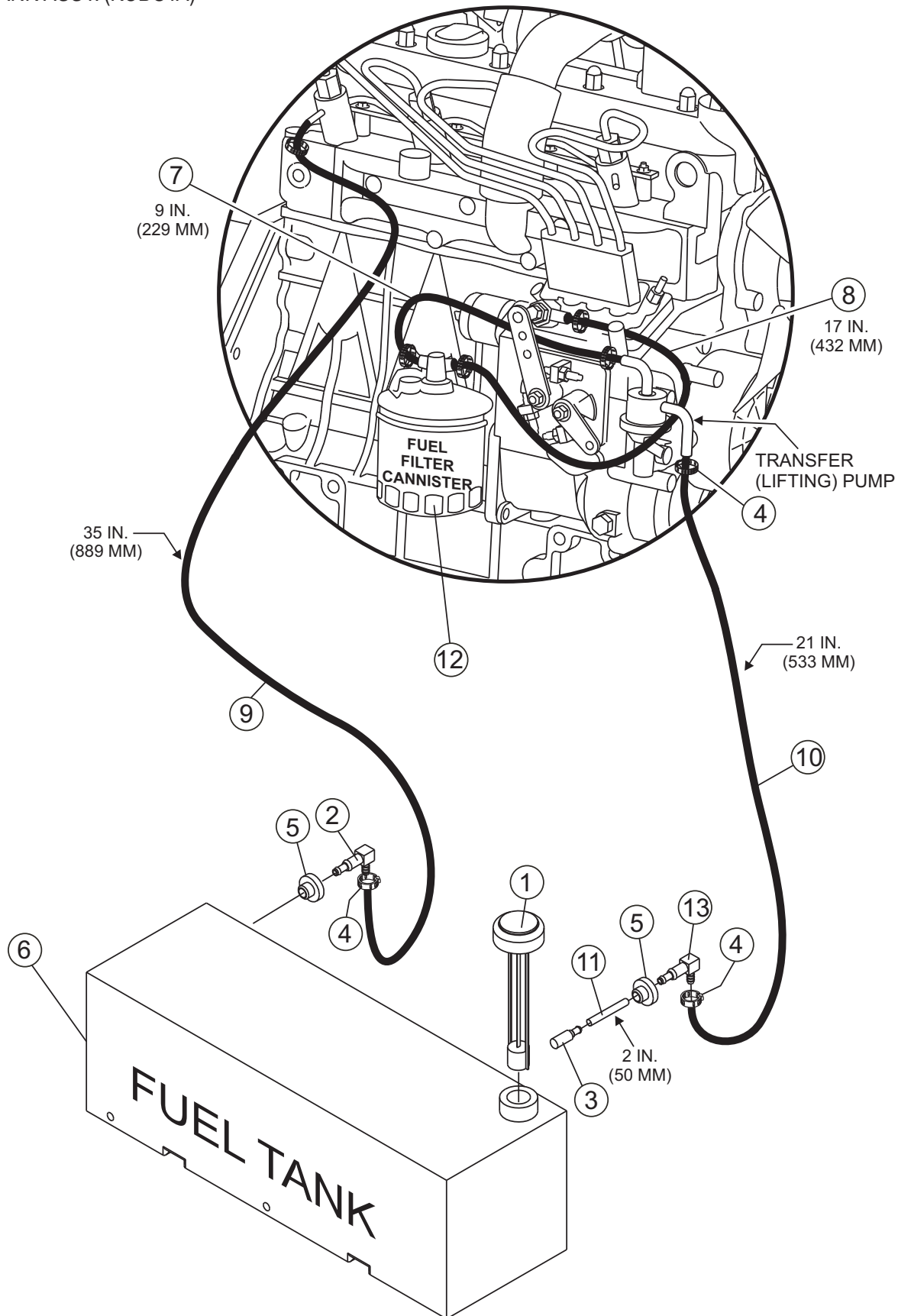
# HTX-44K/Y RIDE-ON TROWEL — SPRAY ASSY.

## SPRAY ASSY.

| <u>NO.</u> | <u>PART NO.</u> | <u>PART NAME</u>                      | <u>QTY.</u> | <u>REMARKS</u>     |
|------------|-----------------|---------------------------------------|-------------|--------------------|
| 1          | 0131 A          | SCREW, HHC 1/4-20 x 3/4               | 3           |                    |
| 2          | 0181 B          | WASHER, LOCK, 1/4 MED                 | 3           |                    |
| 3          | 0948            | WASHER, FLAT, 1/4 SAE                 | 30          |                    |
| 4          | 2108            | CAP, SPRAY TANK                       | 1           |                    |
| 5          | 2898            | WASHER, ROUNDED NEOPRENE 1 X 1/2      | 2           |                    |
| 6          | 2912            | FITTING 90 DEGREE                     | 2           |                    |
| 7          | 2918            | CLAMP, HOSE .475-.536 ID              | 8           |                    |
| 8          | 10022           | FITTING, PLASTIC-TEE 1/4 BARB         | 2           |                    |
| 9          | 12008           | FITTING, 90 FUEL                      | 2           |                    |
| 10         | 12009           | SCREEN, FILTER DAPCO 11604            | 2           |                    |
| 11#        | 12171           | SEAL, WPACK 16-18 (GRN)               | 4           |                    |
| 12#        | 12176           | CONNECTOR, WPACK 2 PIN SHROUD         | 2           |                    |
| 13#        | 12179           | TERMINAL, WPACK MALE 14-16 GA         | 4           |                    |
| 14         | 12403           | FUEL TANK                             | 1           |                    |
| 15         | 12548           | PUMP, SPRAY .....                     | 2           | INCLUDES ITEMS W/# |
| 16         | 19633           | BUSHING, RUBBER FUEL                  | 5           |                    |
| 17         | 19661           | VALVE, DRAIN (DAPCO P/N 11478)        | 1           |                    |
| 18         | 60001           | HOSE, .25 ID x .375 OD TYGON .....    | 10          | SOLD BY FOOT       |
| 19         | 60002           | HOSE, .375 ID x .5 OD TYGON .....     | 5.3         | SOLD BY FOOT       |
| 20         | 60058           | HOSE, 1/4 x 3/8 PVC FUEL YELLOW ..... | 0.5         | SOLD BY FOOT       |
| 21         | 392292          | NOZZEL, SPRAY                         | 2           |                    |

# HTX-44K RIDE-ON TROWEL — FUEL TANK ASSY.

FUEL TANK ASSY. (KUBOTA)



# HTX-44K RIDE-ON TROWEL — FUEL TANK ASSY.

## FUEL TANK ASSY. (KUBOTA)

| <u>NO.</u> | <u>PART NO.</u> | <u>PART NAME</u>                                  | <u>QTY.</u> | <u>REMARKS</u> |
|------------|-----------------|---|-------------|----------------|
| 1          | 11418           | CAP, W/GAUGE "FUEL" (10.5")                       | 1           |                |
| 2          | 12006           | FITTING, 90 03BARB-4BARB FUEL                     | 1           |                |
| 3          | 12010           | SCREEN,FUEL (DAPCO 11656)                         | 1           |                |
| 4          | 19473           | CLAMP, WORM HOSE #4                               | 4           |                |
| 5          | 19633           | BUSHING, RUBBER FUEL                              | 5           |                |
| 6          | 21576           | TANK, 12 GALLON FUEL PE                           | 1           |                |
| 7          | 60013           | HOSE, 0.25 ID RUBBER FUEL 9 IN. (229 MM) .....    | 1           | SOLD BY FOOT   |
| 8          | 60013           | HOSE, 0.25 ID RUBBER FUEL 17 IN. (432 MM) .....   | 2           | SOLD BY FOOT   |
| 9          | 60013           | HOSE, 0.25 ID RUBBER FUEL 35 IN. (889 MM) .....   | 3           | SOLD BY FOOT   |
| 10         | 60028           | HOSE, .312 ID RUBBER FUEL 21 IN. (533 MM) .....   | 2           | SOLD BY FOOT   |
| 11         | 60058           | HOSE, 1/4 X 3/8 PVC FUEL YELLOW 2 IN. (50.8 MM) . | 1           | SOLD BY FOOT   |
| 12         | 7000043081      | FILTER, FUEL                                      | 1           |                |
| 13         | W12023          | FITTING, 90 05BARB-4BARB FUEL                     | 1           |                |

# HTX-44Y RIDE-ON TROWEL — FUEL TANK ASSY.

FUEL TANK ASSY. (YANMAR)



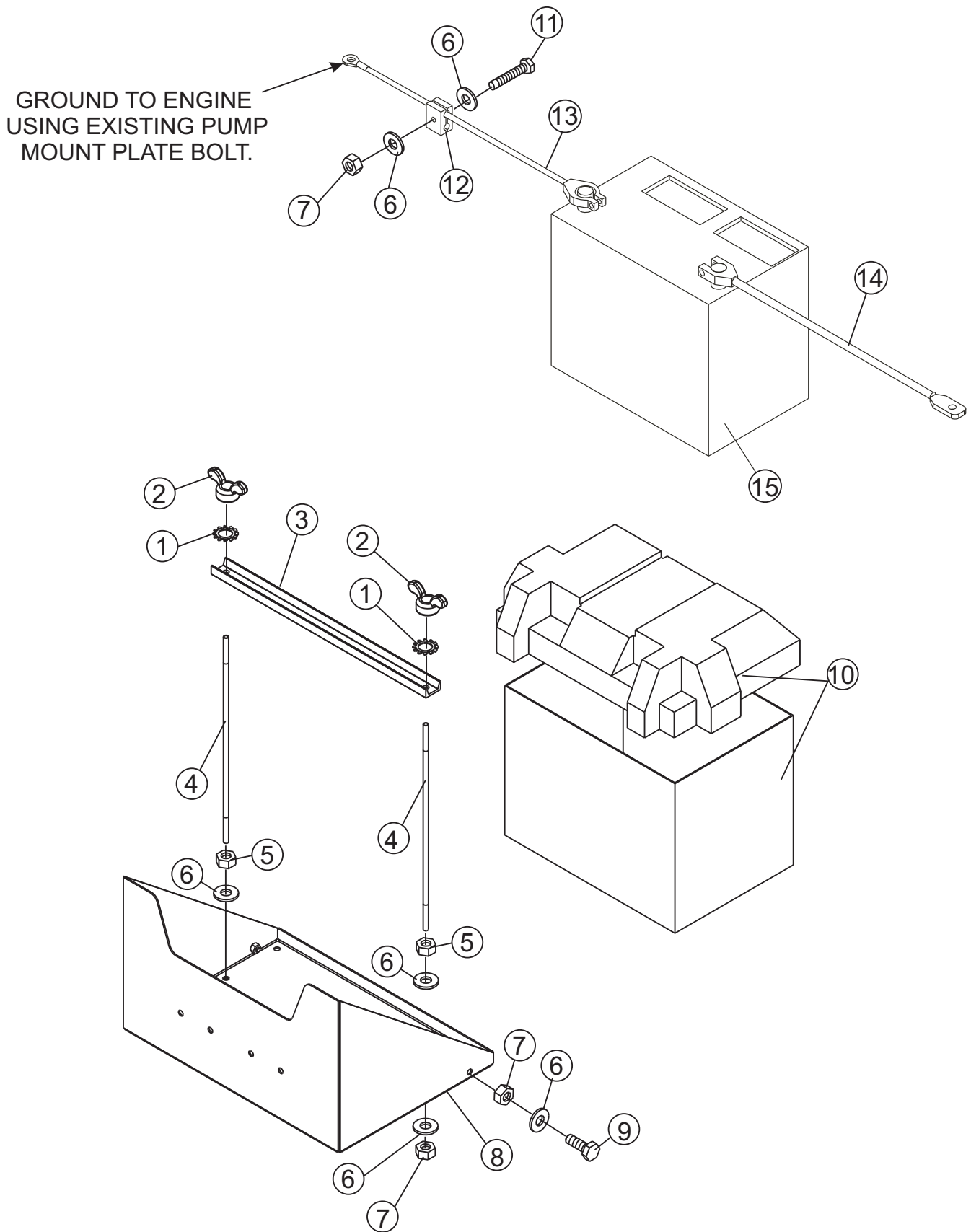
# HTX-44Y RIDE-ONTROWEL — FUEL TANK ASSY.

## FUEL TANK ASSY. (YANMAR)

| <u>NO.</u> | <u>PART NO.</u> | <u>PART NAME</u>                                       | <u>QTY.</u> | <u>REMARKS</u> |
|------------|-----------------|--|-------------|----------------|
| 1          | 0131 A          | SCREW, HHC 1/4 - 20 X 3/4                              | 4           |                |
| 2          | 0300 B          | WASHER, FLAT SAE 5/16                                  | 2           |                |
| 3          | 0948            | WASHER, FLAT SAE 1/4                                   | 2           |                |
| 4          | 1404            | SCREW, HHC 5/16 - 18 X 3-1/4 #5                        | 1           |                |
| 5          | 5283            | NUT, NYLOC 5/16 - 18                                   | 1           |                |
| 6          | 10024           | NUT, NYLOC 1/4 - 20                                    | 2           |                |
| 7          | 11418           | CAP, W/GAUGE "FUEL" (10.5")                            | 1           |                |
| 8          | 12010           | SCREEN,FUEL (DAPCO 11656)                              | 1           |                |
| 9          | 19473           | CLAMP, WORM HOSE #4                                    | 4           |                |
| 10         | 19633           | BUSHING, RUBBER FUEL                                   | 5           |                |
| 11         | 21576           | TANK, 12 GALLON FUEL PE                                | 1           |                |
| 12         | 60028           | HOSE, 5/16 ID RUBBER FUEL 10 IN. (254 MM) .....        | 1           | SOLD BY FOOT   |
| 12         | 60028           | HOSE, 5/16 ID RUBBER FUEL 12 IN. (305 MM) .....        | 2           | SOLD BY FOOT   |
| 12         | 60028           | HOSE, 5/16 ID RUBBER FUEL 44 IN. (1118 MM) .....       | 3           | SOLD BY FOOT   |
| 12         | 60028           | HOSE, 5/16 ID RUBBER FUEL 54 IN. (1372 MM) .....       | 3           | SOLD BY FOOT   |
| 13         | 60058           | HOSE, 1/4 X 3/8 PVC FUEL YELLOW 2 IN. (50.8 MM)1 ..... | 1           | SOLD BY FOOT   |
| 14         | 119802-55800-12 | FILTER, FUEL   | 1           |                |
| 15         | 21743           | FUEL/WATER SEPARATOR (SEDIMENT BULB)                   | 1           |                |
| 16         | 21741           | PUMP, FUEL   | 1           |                |
| 17         | W12023          | FITTING, 90 05BARB-4BARB FUEL                          | 1           |                |
| 18         | 12006           | FITTING, 90 03BARB-4BARB FUEL                          | 1           |                |

# HTX-44K/Y RIDE-ON TROWEL — BATTERY ASSY.

BATTERY ASSY.

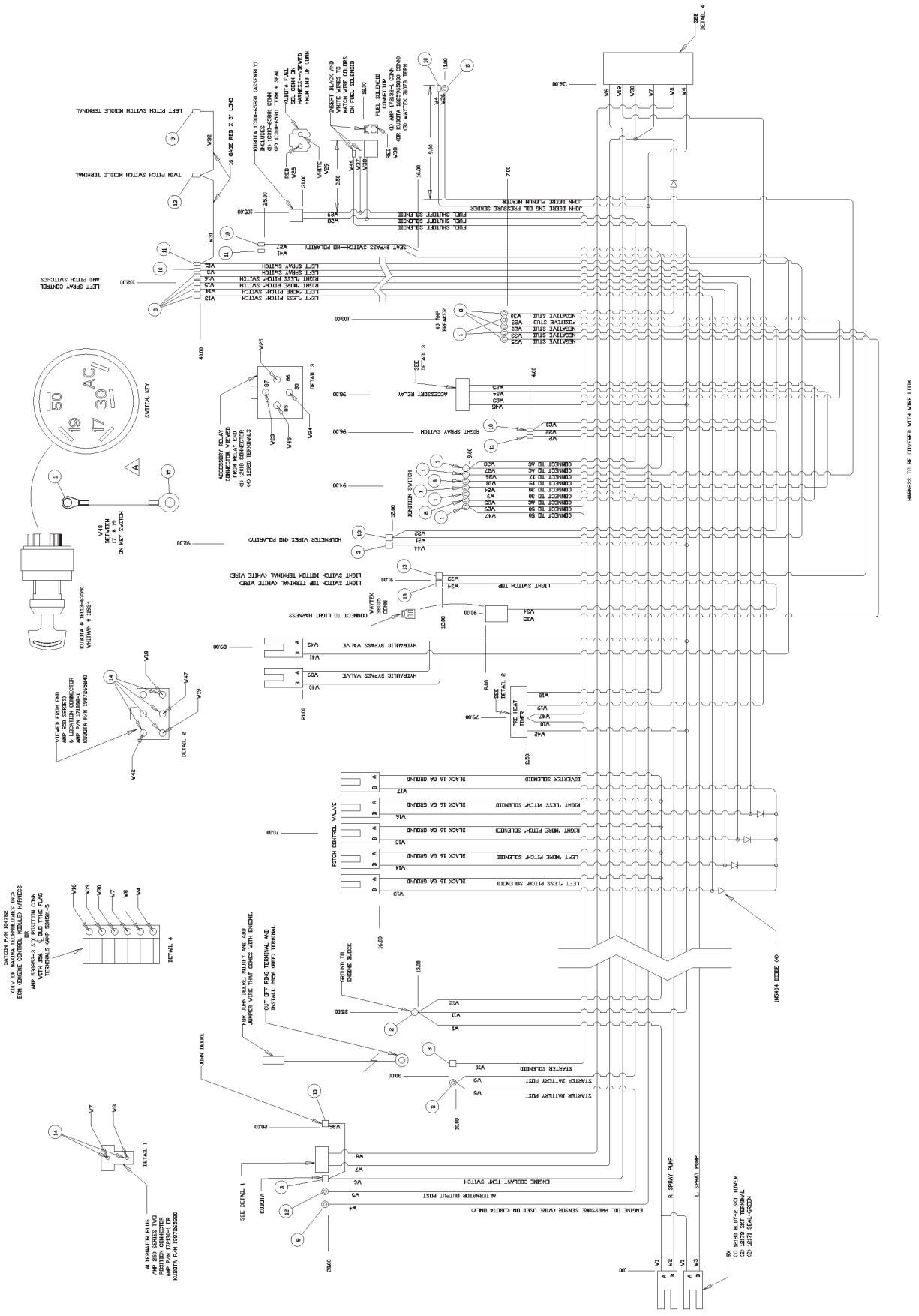


# HTX-44K/Y RIDE-ONTROWEL — BATTERY ASSY.

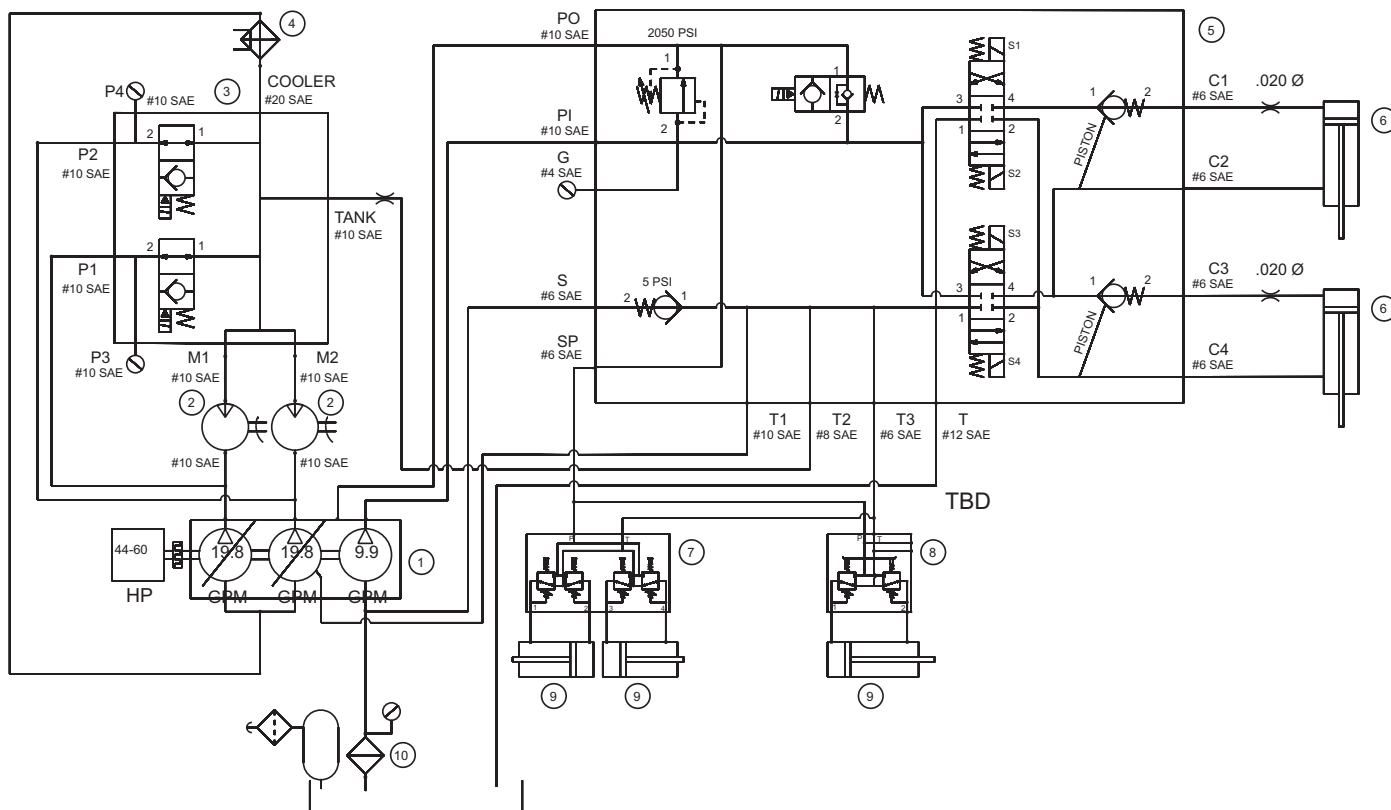
BATTERY ASSY.

| <u>NO.</u> | <u>PART NO.</u> | <u>PART NAME</u>            | <u>QTY.</u> | <u>REMARKS</u>            |
|------------|-----------------|-----------------------------|-------------|---------------------------|
| 1          | 10031           | WASHER, EXT SHKP 1/4        | 2           |                           |
| 2          | 2509            | NUT, WING 1/4-20 PLATED     | 2           |                           |
| 3          | 11692           | BRACKET, BATTERY BOX        | 1           |                           |
| 4          | 11693           | BOLT, BATTERY BRACKET       | 2           |                           |
| 5          | 0949            | NUT, HEX FINISH 1/4-20      | 2           |                           |
| 6          | 0948            | WASHER, FLAT, 1/4 SAE       | 8           |                           |
| 7          | 10024           | NUT, NYLOC 1/4-20           | 5           |                           |
| 8          | 20696           | BATTERY BOX W/A             | 1           |                           |
| 9          | 0131 A          | SCREW, HHC 1/4-20 x 3/4     | 2           |                           |
| 10         | 10318           | BATTERY BOX, GROUP 24 ..... | 1           | SAFETY ITEM               |
| 11         | 5277            | SCREW, HHC 1/4-20 x 1-1/2   | 1           |                           |
| 12         | 12273           | CLAMP, 3/8 TUBE             | 1           |                           |
| 13         | 12278           | CABLE, BAT NEG 4GA32x3/8R   | 1           |                           |
| 14         | 10314           | CABLE, POS BATTERY RED 31"  | 1           |                           |
| 15         |                 | BATTERY 12V GR22 .....      | 1           | USE INTERSTATE P/N 22F-60 |

# HTX-44K/Y RIDE-ON TROWEL — WIRING DIAGRAM



# HTX-44K/Y RIDE-ON TROWEL — HYDRAULIC DIAGRAM



## COMPONENT DESCRIPTIONS

| ITEM# | PART NO. | DESCRIPTION                     | QTY |
|-------|----------|---------------------------------|-----|
| 10    | 21107    | SUCTION FILTER, 10 MICRON ABS   | 1   |
| 9     | 12056    | CYLINDER, STEERING              | 3   |
| 8     | 20831    | VALVE/A, HYDRO-CONTROL SNG AXIS | 1   |
| 7     | 20829    | VALVE/A, HYDROCONTROL DUAL AXIS | 1   |
| 6     | 20652    | CYLINDER, PITCH                 | 2   |
| 5     | 20780    | VALVE/A, PITCH BLOCK            | 1   |
| 4:STX | 21058    | COOLER, THERM TRANSFER MF-30    | 1   |
| 4:HTX | 21129    | COOLER, THERM TRANSFER MF-15    | 1   |
| 3     | 21506    | VALVE/A, PUMP SAFETY BYPASS     | 1   |
| 2:STX | 21856    | MOTOR, HYD SAUER OMTW400        | 2   |
| 2:HTX | 21855    | MOTOR, HYD SAUER OMTW315        | 2   |
| 1     | 21287    | PUMP/A, SAUER-DANFOSS M-25      | 1   |

# TERMS AND CONDITIONS OF SALE — PARTS

## PAYMENT TERMS

Terms of payment for parts are net 30 days.

## FREIGHT POLICY

All parts orders will be shipped collect or prepaid with the charges added to the invoice. All shipments are F.O.B. point of origin. Multiquip's responsibility ceases when a signed manifest has been obtained from the carrier, and any claim for shortage or damage must be settled between the consignee and the carrier.

## MINIMUM ORDER

The minimum charge for orders from Multiquip is \$15.00 net. Customers will be asked for instructions regarding handling of orders not meeting this requirement.

## RETURNED GOODS POLICY

Return shipments will be accepted and credit will be allowed, subject to the following provisions:

1. A Returned Material Authorization must be approved by Multiquip prior to shipment.
2. To obtain a Return Material Authorization, a list must be provided to Multiquip Parts Sales that defines item numbers, quantities, and descriptions of the items to be returned.
  - a. The parts numbers and descriptions must match the current parts price list.
  - b. The list must be typed or computer generated.
  - c. The list must state the reason(s) for the return.
  - d. The list must reference the sales order(s) or invoice(s) under which the items were originally purchased.
  - e. The list must include the name and phone number of the person requesting the RMA.
3. A copy of the Return Material Authorization must accompany the return shipment.
4. Freight is at the sender's expense. All parts must be returned freight prepaid to Multiquip's designated receiving point.

5. Parts must be in new and resalable condition, in the original Multiquip package (if any), and with Multiquip part numbers clearly marked.
6. The following items are not returnable:
  - a. Obsolete parts. (If an item is in the price book and shows as being replaced by another item, it is obsolete.)
  - b. Any parts with a limited shelf life (such as gaskets, seals, "O" rings, and other rubber parts) that were purchased more than six months prior to the return date.
  - c. Any line item with an extended dealer net price of less than \$5.00.
  - d. Special order items.
  - e. Electrical components.
  - f. Paint, chemicals, and lubricants.
  - g. Decals and paper products.
  - h. Items purchased in kits.
7. The sender will be notified of any material received that is not acceptable.
8. Such material will be held for five working days from notification, pending instructions. If a reply is not received within five days, the material will be returned to the sender at his expense.
9. Credit on returned parts will be issued at dealer net price at time of the original purchase, less a 15% restocking charge.
10. In cases where an item is accepted, for which the original purchase document can not be determined, the price will be based on the list price that was effective twelve months prior to the RMA date.
11. Credit issued will be applied to future purchases only.

## PRICING AND REBATES

Prices are subject to change without prior notice. Price changes are effective on a specific date and all orders received on or after that date will be billed at the revised price. Rebates for price declines and added charges for price increases will not be made for stock on hand at the time of any price change.

Multiquip reserves the right to quote and sell direct to Government agencies, and to Original Equipment Manufacturer accounts who use our products as integral parts of their own products.

## SPECIAL EXPEDITING SERVICE

A \$35.00 surcharge will be added to the invoice for special handling including bus shipments, insured parcel post or in cases where Multiquip must personally deliver the parts to the carrier.

## LIMITATIONS OF SELLER'S LIABILITY

Multiquip shall not be liable hereunder for damages in excess of the purchase price of the item with respect to which damages are claimed, and in no event shall Multiquip be liable for loss of profit or good will or for any other special, consequential or incidental damages.

## LIMITATION OF WARRANTIES

No warranties, express or implied, are made in connection with the sale of parts or trade accessories nor as to any engine not manufactured by Multiquip. Such warranties made in connection with the sale of new, complete units are made exclusively by a statement of warranty packaged with such units, and Multiquip neither assumes nor authorizes any person to assume for it any other obligation or liability whatever in connection with the sale of its products. Apart from such written statement of warranty, there are no warranties, express, implied or statutory, which extend beyond the description of the products on the face hereof.

Effective: February 22, 2006



# PARTS MANUAL

## HERE'S HOW TO GET HELP

PLEASE HAVE THE MODEL AND SERIAL  
NUMBER ON-HAND WHEN CALLING

### UNITED STATES

#### *Multiquip Corporate Office*

18910 Wilmington Ave. Tel. (800) 421-1244  
Carson, CA 90746 Fax (800) 537-3927  
Contact: mq@multiquip.com

#### *Mayco Parts*

800-306-2926 Fax: 800-672-7877  
310-537-3700 Fax: 310-637-3284

#### *Service Department*

800-421-1244 Fax: 310-537-4259  
310-537-3700

#### *MQ Parts Department*

800-427-1244 Fax: 800-672-7877  
310-537-3700 Fax: 310-637-3284

#### *Warranty Department*

800-421-1244, Ext. 279 Fax: 310-537-1173  
310-537-3700, Ext. 279

#### *Technical Assistance*

800-478-1244 Fax: 310-631-5032

### MEXICO

#### *MQ Cipsa*

Carr. Fed. Mexico-Puebla KM 126.5 Tel: (52) 222-225-9900  
Momoxpan, Cholula, Puebla 72760 Mexico Fax: (52) 222-285-0420  
Contact: pmastretta@cipsa.com.mx

### UNITED KINGDOM

#### *Multiquip (UK) Limited Head Office*

Unit 2, Northpoint Industrial Estate, Tel: 0161 339 2223  
Global Lane, Fax: 0161 339 3226  
Dukinfield, Cheshire SK16 4UJ  
Contact: sales@multiquip.co.uk

### CANADA

#### *Multiquip*

4110 Industriel Boul. Tel: (450) 625-2244  
Laval, Quebec, Canada H7L 6V3 Tel: (877) 963-4411  
Contact: jmartin@multiquip.com Fax: (450) 625-8664

© COPYRIGHT 2010, MULTIQUIP INC.

Multiquip Inc, the MQ logo and the Whiteman logo are registered trademarks of Multiquip Inc. and may not be used, reproduced, or altered without written permission. All other trademarks are the property of their respective owners and used with permission.

This manual MUST accompany the equipment at all times. This manual is considered a permanent part of the equipment and should remain with the unit if resold.

The information and specifications included in this publication were in effect at the time of approval for printing. Illustrations, descriptions, references and technical data contained in this manual are for guidance only and may not be considered as binding. Multiquip Inc. reserves the right to discontinue or change specifications, design or the information published in this publication at any time without notice and without incurring any obligations.

Your Local Dealer is:





## Free Manuals Download Website

<http://myh66.com>

<http://usermanuals.us>

<http://www.somanuals.com>

<http://www.4manuals.cc>

<http://www.manual-lib.com>

<http://www.404manual.com>

<http://www.luxmanual.com>

<http://aubethermostatmanual.com>

Golf course search by state

<http://golfingnear.com>

Email search by domain

<http://emailbydomain.com>

Auto manuals search

<http://auto.somanuals.com>

TV manuals search

<http://tv.somanuals.com>