

# OPERATION AND PARTS MANUAL





## **MODEL QP305SLT/QPT305SLT HIGH PRESSURE CENTRIFUGAL PUMP (HONDA GX340K1PKT2/GX340U1PKT2 GASOLINE ENGINE)**

Revision #1 (10/11/10)

To find the latest revision of this  
publication, visit our website at:  
[www.multiquip.com](http://www.multiquip.com)



**THIS MANUAL MUST ACCOMPANY THE EQUIPMENT AT ALL TIMES.**

 <b>WARNING</b> 
<b>CALIFORNIA — Proposition 65 Warning</b>
Gasoline engine exhaust and some of its constituents are known to the State of California to cause cancer, birth defects and other reproductive harm.



# TABLE OF CONTENTS

## QP305SLT/QPT305SLT High Pressure Centrifugal Pump

Proposition 65 Warning .....	2
Table Of Contents .....	4
Parts Ordering Procedures .....	5
Safety Information .....	6-9
Specifications/Dimensions (Pump) .....	10
Specifications (Engine) .....	11
General Information .....	12
Pump Components .....	13
Basic Engine .....	14
Inspection .....	15
Set-Up .....	16
Operation .....	17-18
Maintenance (Pump) .....	19-20
Maintenance (Engine) .....	21-22
Preparation For Long-Term Storage .....	23
Troubleshooting .....	24-26
Explanation Of Code In Remarks Column .....	28
Suggested Spare Parts .....	29
Pump Assembly .....	30-33

## Honda GX240K1PMT2/ GX240U1PMT2 Engine

Air Cleaner (Dual) Assy .....	34-35
Camshaft Assy .....	36-37
Carburetor Assy .....	38-41
Control Assy .....	42-43
Crankcase Cover Assy .....	44-45
Crankshaft Assy .....	46-47
Cylinder Barrel Assy .....	48-49
Cylinder Head Assy .....	50-51
Fan Cover Assy .....	52-53
Flywheel Assy .....	54-55
Fuel Tank Assy .....	56-57
Ignition Coil Assy .....	58-59
Muffler Assy .....	60-61
Piston Assy .....	62-63
Recoil Starter Assy .....	64-65
Gasket Kit .....	66-67
Labels Assy .....	68-69
Terms and Conditions of Sale — Parts .....	70

### NOTICE

Specifications and part numbers are subject to change without notice.

# PARTS ORDERING PROCEDURES

## Ordering parts has never been easier! Choose from three easy options:

Effective:  
January 1<sup>st</sup>, 2006

www.multiquip.com



### Order via Internet (Dealers Only):

Order parts on-line using Multiquip's SmartEquip website!

- View Parts Diagrams
- Order Parts
- Print Specification Information



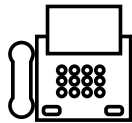
If you have an MQ Account, to obtain a Username and Password, E-mail us at: [parts@multiquip.com](mailto:parts@multiquip.com).

To obtain an MQ Account, contact your District Sales Manager for more information.

Goto [www.multiquip.com](http://www.multiquip.com) and click on **Order Parts** to log in and save!

Use the **internet** and qualify for a **5% Discount** on *Standard orders* for all orders which include complete part numbers.\*

Note: Discounts Are Subject To Change



### Order via Fax (Dealers Only):

All customers are welcome to order parts via Fax.

**Domestic (US) Customers dial:**  
1-800-6-PARTS-7 (800-672-7877)

**Fax** your order in and qualify for a **2% Discount** on *Standard orders* for all orders which include complete part numbers.\*

Note: Discounts Are Subject To Change



**Order via Phone: Domestic (US) Dealers Call:**  
1-800-427-1244

### Non-Dealer Customers:

Contact your local Multiquip Dealer for parts or call 800-427-1244 for help in locating a dealer near you.



**International Customers** should contact their local Multiquip Representatives for Parts Ordering information.

## When ordering parts, please supply:

- |   |  |
|---|--|
| <input type="checkbox"/> Dealer Account Number                                | <input type="checkbox"/> Specify Preferred Method of Shipment:                         |
| <input type="checkbox"/> Dealer Name and Address                              | <input checked="" type="checkbox"/> UPS/Fed Ex <input checked="" type="checkbox"/> DHL |
| <input type="checkbox"/> Shipping Address (if different than billing address) | <input type="checkbox"/> Priority One <input checked="" type="checkbox"/> Truck        |
| <input type="checkbox"/> Return Fax Number                                    | <input type="checkbox"/> Ground  |
| <input type="checkbox"/> Applicable Model Number                              | <input type="checkbox"/> Next Day  |
| <input type="checkbox"/> Quantity, Part Number and Description of Each Part   | <input type="checkbox"/> Second/Third Day  |

### NOTICE

All orders are treated as *Standard Orders* and will ship the same day if received prior to 3PM PST.

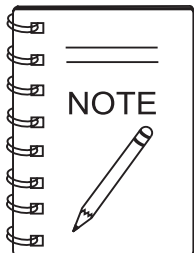
WE ACCEPT ALL MAJOR CREDIT CARDS!



# SAFETY INFORMATION

## FOR YOUR SAFETY AND SAFETY OF OTHERS!

Safety precautions should be followed at all times when operating this equipment. Failure to read and understand the safety messages and operating instructions could result in injury to yourself and others.



This manual has been developed to provide complete instructions for the safe and efficient operation of this equipment. Refer to the engine manufacturer's instructions for data relative to its safe operation.

Before using this equipment ensure that the operating individual has read and understood all instructions in this manual.

## SAFETY MESSAGES

The three safety messages shown below will inform you about potential hazards that could injure you or others. The safety messages specifically address the level of exposure to the operator, and are preceded by one of three words: **DANGER**, **WARNING** or **CAUTION**.

**! DANGER**

You **WILL** be **KILLED** or **SERIOUSLY INJURED** if you **DO NOT** follow these directions.

**! WARNING**








You **CAN** be **KILLED** or **SERIOUSLY INJURED** if you **DO NOT** follow these directions.

**! CAUTION**

You **CAN** be **INJURED** if you **DO NOT** follow these directions.

## HAZARD SYMBOLS

Potential hazards associated with the operation of this equipment will be referenced with hazard symbols which may appear throughout this manual in conjunction with safety messages.

Symbol	Safety Hazard
	Lethal exhaust gas hazards
	Explosive fuel hazards
	Burn hazards
	Respiratory hazards
	Accidental starting hazards
	Eye and hearing hazards
	Pressure hazards

# SAFETY INFORMATION

## GENERAL SAFETY

■ **DO NOT** operate or service this equipment before reading the entire manual. The equipment is to be operated by trained and qualified personnel only! The equipment is for industrial use only.



■ This equipment should not be operated by persons under 18 years of age.

■ **NEVER** operate this equipment without proper protective clothing, shatterproof glasses, respiratory protection, hearing protection, steel-toed boots and other protective devices required by the job.



■ **NEVER** operate this equipment when not feeling well due to fatigue, illness or when under medication.



■ **NEVER** operate this equipment under the influence of drugs or alcohol.



■ **NEVER** disconnect any “**emergency or safety devices.**” These devices are intended for operator safety. Disconnection of these devices can cause severe injury, bodily harm or even death! Disconnection of any of these devices will void all warranties.

■ **NEVER** use accessories or attachments that are not recommended by Multiquip for this equipment. Damage to the equipment and/or injury to user may result.

■ Manufacturer does not assume responsibility for any accident due to equipment modifications. Unauthorized equipment modification will void all warranties.

■ Whenever necessary, replace nameplate, operation and safety decals when they become difficult read.

■ **ALWAYS** check the equipment for loosened threads or bolts before starting.

■ **NEVER** touch the hot exhaust manifold, muffler or cylinder. Allow these parts to cool before servicing engine or pump. Never operate the engine with heat shields or guards removed.



■ **ALWAYS** allow the engine to cool before adding fuel or performing service and maintenance functions. Contact with *hot* components can cause serious burns.

■ **NEVER** operate this equipment in any enclosed or narrow area where free flow of the air is restricted. The engine of this equipment requires an adequate free flow of cooling air. If the air flow is restricted it will cause serious damage to the equipment or engine and may cause injury to people and property. The engine fuel exhaust gases contain poisonous carbon monoxide. This gas is colorless and odorless, and can cause death if inhaled.



■ **ALWAYS** refuel in a well-ventilated area, away from sparks and open flames. **DO NOT** fill the fuel tank while the engine is running or hot. **DO NOT** overfill tank, since spilled fuel could ignite if it comes into contact with hot engine parts or sparks from the ignition system. Store fuel in approved containers.

■ **ALWAYS** use extreme caution when working with **flammable** liquids. When refueling, **stop** the engine and allow it to cool.

■ **DO NOT** smoke around or near the equipment. Fire or explosion could result from fuel vapors, or if fuel is spilled on a hot engine.



■ **NEVER** operate the equipment in an explosive atmosphere or near combustible materials. An explosion or fire could result causing severe **bodily harm or even death.**



■ **ALWAYS** store equipment properly when it is not being used. Equipment should be stored in a clean, dry location out of the reach of children.

# SAFETY INFORMATION

■ **NEVER** run engine without air cleaner. Severe engine damage may occur.

■ **ALWAYS** ensure pump is on level ground before use.

■ **NEVER** pump volatile, explosive, flammable or low flash point fluids. These fluids could ignite or explode. **NEVER** pump corrosive chemicals or water containing toxic substances. These fluids could create serious health and environmental hazards. Contact local authorities for assistance.



■ **NEVER** open the priming plug when pump is hot. Hot water inside could be pressurized much like the radiator of an automobile. Allow pump to cool to the touch before loosening plug. The possibility exists of scalding, resulting in severe bodily harm.

■ **NEVER** block or restrict flow from discharge hose. Remove kinks from discharge line before starting pump. Operation with a blocked discharge line can cause water inside pump to overheat.

■ **ALWAYS** fill the pump casing with water before starting the engine. Failure to maintain water inside the pump housing will cause severe damage to the pump and mechanical seal.

■ In winter drain water from pump housing to prevent freezing.

■ **NEVER** tamper with the factory setting of the engine governor. Personal injury and equipment damage can result if operating in speed ranges above the maximum allowable.



## LOADING AND UNLOADING

■ Before lifting, make sure that equipment parts (hook and vibration insulator) are not damaged and screws are not loosened or lost.

■ **ALWAYS** make sure crane or lifting device has been properly secured to the lifting bail (hook) of the equipment.

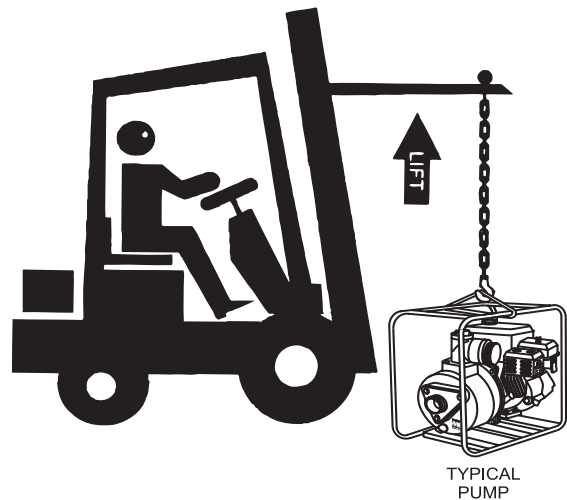
■ **NEVER** lift the equipment while the engine is running.

■ Use adequate lifting cable (wire or rope) of sufficient strength.

■ Use one point suspension hook and lift straight upwards.

■ **NEVER** allow any person or animal to stand underneath the equipment while lifting.

■ **DO NOT** lift machine to unnecessary heights.



## TRANSPORTING

■ **ALWAYS** shutdown engine before transporting.

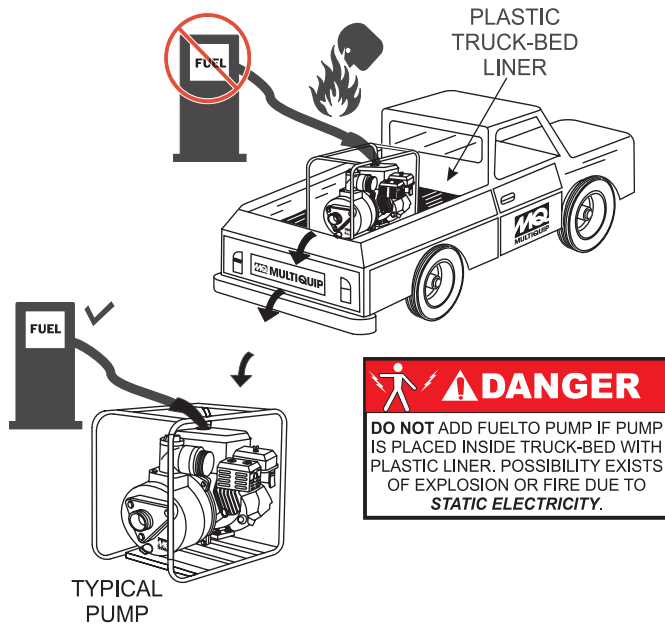
■ Tighten fuel tank cap securely and close fuel cock to prevent fuel from spilling.

■ **ALWAYS** tie down the equipment during transport by securing the equipment with rope.



# SAFETY INFORMATION

## REFUELING



## MAINTENANCE SAFETY

- **NEVER** lubricate components or attempt service on a running machine.
- **ALWAYS** allow the machine a proper amount of time to cool before servicing.
- Keep the equipment in proper running condition.
- Fix damage to the equipment immediately and always replace broken parts.
- Dispose of hazardous waste properly. Examples of potentially hazardous waste are used motor oil, fuel and fuel filters.
- **DO NOT** use food or plastic containers to dispose of hazardous waste.
- **DO NOT** pour waste, oil or fuel directly onto the ground, down a drain or into any water source.

## EMERGENCIES

- **ALWAYS** know the location of the nearest *fire extinguisher*.
- **ALWAYS** know the location of the nearest *first aid kit*.
- In emergencies, *always* know the location of the nearest phone or *keep a phone on the job site*. Also know the phone numbers of the nearest *ambulance*, *doctor* and *fire department*. This information will be invaluable in case of emergency.



# SPECIFICATIONS/DIMENSIONS (PUMP)

Table 1. Specifications (Pump)	
Model	QP305SLT/QPT305SLT
Type	High Pressure Centrifugal Pump
Suction Size	3.00 in. (76 mm.)
Discharge Size	1.00 in. (25 mm.) 2 ea. 1.50 in. (38 mm.) 1 ea.
Maximum Pumping Capacity	145 gallons/minute (550 liters/minute)
Max. Lift	25 ft. (7.62 m)
Max. Head	328 ft. (100 m)
Dimension (L x W x H)	28.0 x 20.5 x 23.8 in. (71 x 52 x 60.5 cm.)
Dry Net Weight	110 lbs. (50 Kg.)

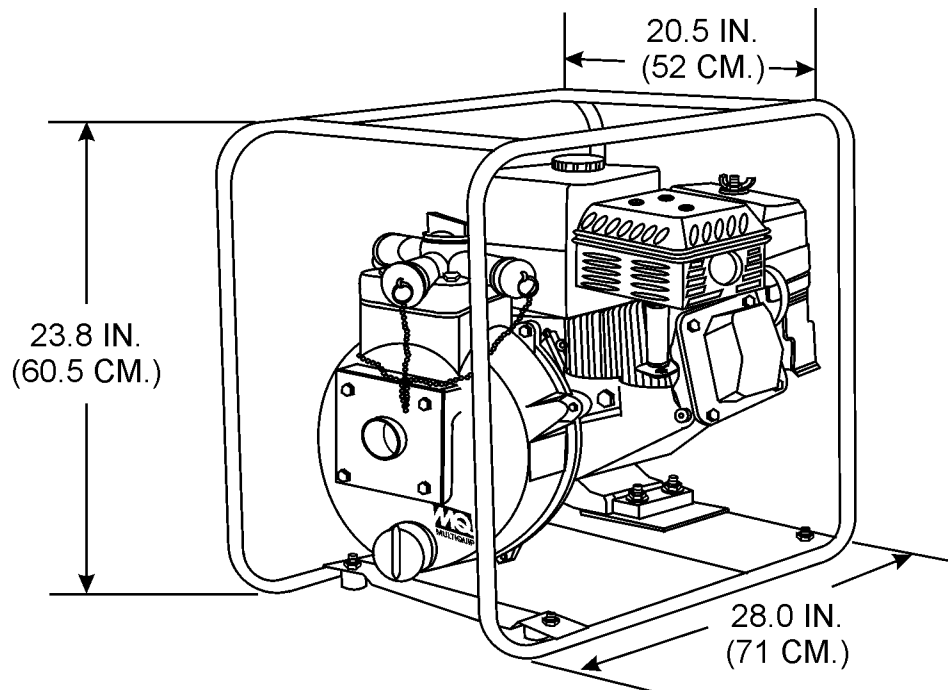


Figure 1. QP305SLT/QPT305SLT Dimensions

## SPECIFICATIONS (ENGINE)

Table 2. Specifications (Engine)	
Model	HONDA GX340K1PKT2/GX340U1PKT2
Type	Air-cooled 4 stroke, Single Cylinder, OHV, Horizontal Shaft Gasoline Engine
Bore x Stroke	2.90 in. x 2.30 in. (73 mm x 58 mm)
Displacement	20.6 cu-in (337 cc)
Max. Output	9.5 H.P. (7.1 kW)/3600 R.P.M.
Fuel Tank Capacity	1.58 gallons (6 liters)
Fuel	Unleaded Automobile Gasoline
Lube Oil Capacity	1.16 quarts (1.1 liters)
Speed Control Method	Centrifugal Fly-weight Type
Starting Method	Recoil Start
Dimension (L x W x H)	15.0 x 17.7 x 17.4 in. (380 x 450 x 443 mm)
Dry Net Weight	68.4 lbs (31 Kg.)

# GENERAL INFORMATION

## APPLICATION

The QP305SLT/QPT305SLT centrifugal pump is a high pressure pump designed to be used for dewatering applications. The suction port on the QP305SLT/QPT305SLT uses a 3-inch diameter opening. There are three discharge ports on the pump, 2 are 1-inch in diameter and the third is 1.5-inches in diameter. This pump can discharge water at a rate of approximately 145 gallons/minute (gpm) or 550 liters/minute (lpm).

Centrifugal or self-priming pumps are designed to purge air from the suction line and create a partial vacuum in the pump body. The reduced atmospheric pressure inside the pump allows water to flow through the suction line and into the pump body. The centrifugal force created by the rotating impeller pressurizes the water and expels it from the pump.

## Power Plant

This centrifugal pump is powered by an 9.5 HP, air-cooled 4-stroke, single-cylinder HONDA GX340 gasoline engine that incorporates a low “**Oil Alert Feature**”.

## Oil Alert Feature

In the event of **low oil** or **no oil**, the HONDA GX340 engine has a built-in oil alarm engine shutdown feature. If the oil level is low the engine will automatically shut down.

## Standard Centrifugal Pump

Standard centrifugal pumps provide an economical choice for general purpose dewatering. These types of pumps should only be used in **clear water** applications (agricultural, industrial, residential) as they have a limited solid handling capability of only 10% by volume.

## Suction Lift

This pump is intended to be used for dewatering applications and is capable of suction lifts up to 25 feet at sea level. For optimal suction lift performance keep the suction hose or line as short as possible. In general always place the pump as close to the water as possible.

## Pump Support

The pump should always be placed on solid stationary ground in a level position.

**NEVER** place the pump on **soft soil**. The suction hose or pipe connection should always be checked for tightness and leaks. A small suction leak in the hose or fittings could prevent the pump from priming.

## Elevation

Higher elevations will effect the performance of the pump. Due to less atmospheric pressure at higher altitudes, pumps **DO NOT** have the priming ability that they have at sea level. This is due to the “thinner air” or lack of oxygen at higher altitudes.

A general rule of thumb is that for every 1,000 feet of elevation above sea level a pump will lose one foot of priming ability.

For example, in Flagstaff, Arizona where the elevation is approximately 7,000 feet, the pump would have a suction lift of only 18 feet rather than the 25 feet at sea level. Table 3 shows suction lift at various elevations.

**Table 3. Suction Lift at Various Elevations**

Altitude Feet (Meters)	Suction Lift in Feet (Meters)			
Sea Level	10.0 (3.048)	15.0 (4.572)	20.0 (6.096)	25.0 (7.620)
2,000 (610)	8.80 (2.680)	13.2 (4.023)	17.6 (5.364)	22.0 (6.705)
4,000 (1,219)	7.80 (2.377)	11.7 (3.566)	15.6 (4.754)	19.5 (5.943)
6,000 (1,829)	6.90 (2.103)	10.4 (3.169)	13.8 (4.206)	17.3 (5.273)
8,000 (2,438)	6.20 (1.889)	9.30 (2.834)	12.4 (3.779)	15.5 (4.724)
10,000 (3,048)	5.70 (1.737)	8.60 (2.621)	11.4 (3.474)	14.3 (4.358)

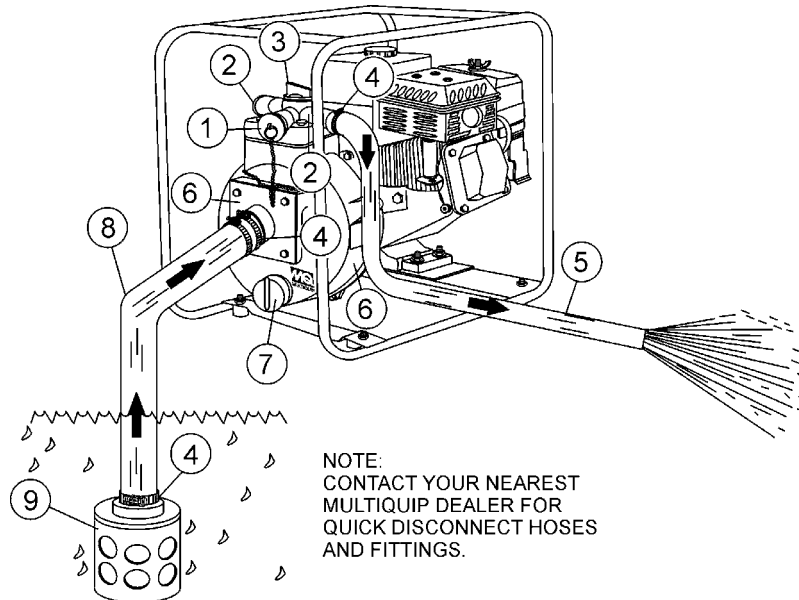
Table 4 shows percentage drops in performance as elevation increases.

**Table 4. Performance Loss at Various Elevations**

Altitude Feet (Meters)	Discharge Flow	Discharge Head
Sea Level	100%	100%
2,000 (610)	97%	95%
4,000 (1,219)	95%	91%
6,000 (1,829)	93%	87%
8,000 (2,438)	91%	83%
10,000 (3,048)	88%	78%

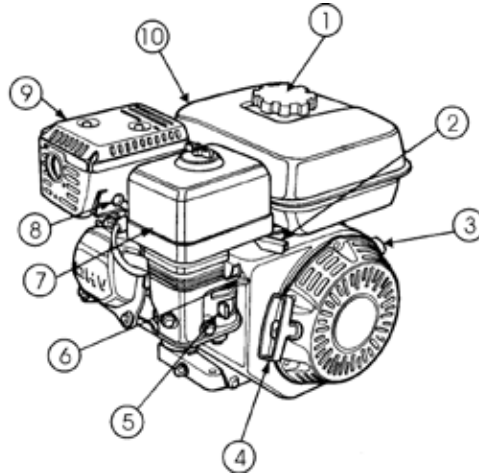
# PUMP COMPONENTS

Figure 2 shows a typical application using the QP305SLT/QPT305SLT centrifugal pump. Please note that this pump is intended for the removal of clean water.



**Figure 2. QP305SLT/QPT305SLT Pump Application**

- 1. Discharge Port 1.5-Inch** — Connect a flexible rubber hose to this 1.5-inch discharge port on the pump. Make sure that the hose lays flat and is not kinked. Use only recommended type discharge hose. Contact Multiquip Parts Department for ordering information.
- 2. Discharge Port 1-Inch** — Connect a flexible rubber hose to these 1-inch discharge ports on the pump. Make sure that the hose lays flat and is not kinked. Use only recommended type discharge hose. Contact Multiquip Parts Department for ordering information.
- 3. Fill Cap** — Prior to operation, the pump casing should be filled with water. Remove this cap to add water to the pump. After the initial prime, a sufficient amount of water will be retained in the casing so that the operator will not need to re-prime later.
- 4. Worm Clamp** — Used to secure the hose to the inlet and outlet ports on the pump. Use two clamps to secure the hose on the inlet side of the pump.
- 5. Discharge Hose** — Connect a flexible rubber hose to the discharge port on the pump. Make sure that the hose lays flat and is not kinked. Use only recommended type discharge hose. Contact Multiquip Parts Department for ordering information.
- 6. Pump** — The model QP305SLT/QPT305SLT is a 3-inch **high pressure** centrifugal pump and should only be used in **clear water** applications (agricultural, industrial, residential) as they have a limited solid handling capability of only 10% by volume.
- 7. Drain Plug** — Remove this plug to drain water from the pump.
- 8. Suction Hose** — Connect a flexible rubber hose to the suction port on the pump. Make sure that the hose lays flat and is not kinked. Use only recommended type suction hose. Contact Multiquip Parts Department for ordering information.
- 9. Strainer** — Always attach a strainer to bottom side of the suction hose to prevent large objects and debris from entering the pump. Strainer should be positioned so that it will remain completely under water. Running the pump with the strainer above water for long periods can damage pump.



**Figure 3. Engine Controls and Components**

## INITIAL SERVICING

The engine (See Figure 3) must be checked for proper lubrication and filled with fuel prior to operation. Refer to the manufacturer's engine manual for instructions and details of operation and servicing. The engine shown above is a HONDA engine, operation for other types of engines may vary somewhat.

1. **Fuel Filler Cap** — Remove this cap to add unleaded gasoline to the fuel tank. Make sure cap is tightened securely. **DO NOT** over fill.

### DANGER



Adding fuel to the tank should be done only when the engine is stopped and has had an opportunity to cool down. In the event of a fuel spill, **DO NOT** attempt to start the engine until the fuel residue has been completely wiped up and the area surrounding the engine is dry.

2. **Throttle Lever** — Used to adjust engine RPM speed (lever advanced forward - **SLOW**, lever back toward operator - **FAST**).
3. **Engine ON/OFF Switch** — ON position permits engine starting, OFF position stops engine operations.
4. **Recoil Starter (pull rope)** — Manual-starting method. Pull the starter grip until resistance is felt, then pull briskly and smoothly.

5. **Fuel Valve Lever** — **OPEN** to let fuel flow. **CLOSE** to stop the flow of fuel.
6. **Air Cleaner** — Prevents dirt and other debris from entering the fuel system. Remove wing-nut on top of air filter cannister to gain access to filter element.

### NOTICE

Operating the engine without an air filter, with a damaged air filter, or a filter in need of replacement will allow dirt to enter the engine, causing rapid engine wear.


### WARNING



Engine components can generate extreme heat. To prevent burns, **DO NOT** touch these areas while the engine is running or immediately after operating. **NEVER** operate the engine with the muffler removed.


7. **Spark Plug** — Provides spark to the ignition system. Set spark plug gap to 0.6 - 0.7 mm (0.028 - 0.031 inch). Clean spark plug once a week.
8. **Muffler** — Used to reduce noise and emissions.
9. **Fuel Tank** — Holds unleaded gasoline. For additional information refer to engine owner's manual.

**CAUTION**



**ALWAYS** wear approved eye and hearing protection before operating the pump.

**CAUTION**



**NEVER** operate the pump in a confined area or enclosed area structure that does not provide ample **free flow of air**.

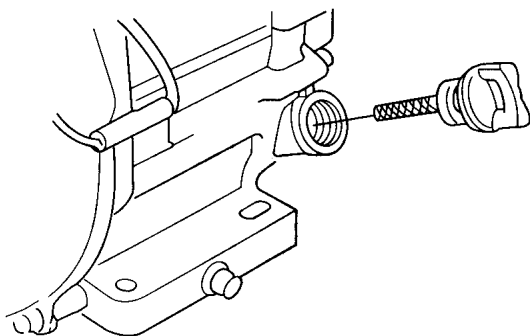
## BEFORE STARTING

1. Read safety instructions at the beginning of manual.
2. Clean the pump, removing dirt and dust, particularly the engine cooling air inlet, carburetor and air cleaner.
3. Check the air filter for dirt and dust. If air filter is dirty, replace air filter with a new one as required.
4. Check carburetor for external dirt and dust. Clean with dry compressed air.
5. Check fastening nuts and bolts for tightness.



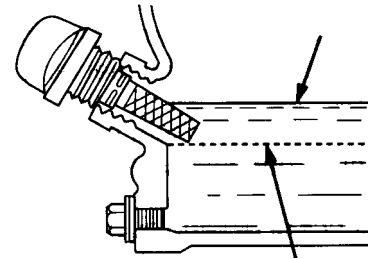
## Engine Oil Check

1. To check the engine oil level, place the pump on secure level ground with the engine stopped.
2. Remove the filler dipstick from the engine oil filler hole (See Figure 4) and wipe clean.



**Figure 4. Engine Oil Dipstick (Removal)**


3. Insert and remove the dipstick without screwing it into the filler neck. Check the oil level shown on the dipstick.
4. If the oil level is low (See Figure 5), fill to the edge of the oil filler hole with the recommended oil type (Table 5). Maximum oil capacity is 1.16 quarts (1.1 liters).



**Figure 5. Engine Oil Dipstick (Oil Level)**

Table 5. Oil Type		
Season	Temperature	Oil Type
Summer	25°C or Higher	SAE 10W-30
Spring/Fall	25°C~10°C	SAE 10W-30/20
Winter	0°C or Lower	SAE 10W-10

**DANGER**



Motor fuels are highly flammable and can be dangerous if mishandled. **DO NOT** smoke while refueling. **DO NOT** attempt to refuel the pump if the engine is **hot or running**.

## Fuel Check

1. Remove the gasoline cap located on top of fuel tank.
2. Visually inspect to see if the fuel level is low. If fuel is low, replenish with unleaded fuel.
3. When refueling, be sure to use a strainer for filtration. **DO NOT** top-off fuel. Wipe up any spilled fuel **immediately!**

## BEFORE STARTING

1. Read safety instructions at the beginning of manual.
2. Place pump as near to water as possible, on a firm flat, level surface.
3. To prime pump, remove fill cap (See Figure 2) and fill pump casing with water. If the pump casing is not filled with water before starting, it will not begin pumping.



### CAUTION

Pump casing **must** be filled with water before using pump. Otherwise, pump will not be able to begin pumping.

### WARNING



**DO NOT** open **fill cap** if pump is **hot!**  
Water inside may be under pressure.

4. Check for **leaks** between pump and engine. If water is leaking between the pump and engine housing, the seal inside the pump may be worn or damaged. Continued operation of the pump is not recommended. Further usage of the pump under these conditions may cause severe water damage to engine.

## Hoses and Clamps

1. Check that all hoses are **securely** attached to the pump. Make certain suction hose (See Figure 2) does not have any air leakage. Tighten hose clamps and couplings as required.
2. It is recommended that 2 clamps be used when securing the suction hose to the inlet side (suction) of the pump.
3. Remember suction hoses must be **rigid** enough not to collapse when the pump is in operation.
4. Check that the **discharge** hose (See Figure 2) is not restricted. Place hose so that it lays as straight as it is possible on the ground. Remove any twists or sharp bends from hose which may block the flow of water.

### NOTICE

Suction and discharge hoses are available from Multiquip. Contact your nearest dealer for more information.

5. The discharge hose is usually a **collapsible** (thin-walled) hose, however if a thin-walled discharge hose is not available, a rigid suction hose can be substituted in its place.
6. Make sure the **suction strainer** (See Figure 2) is clean and securely attached to the water end of the suction hose. The strainer is designed to protect the pump by preventing large objects from being pulled in to the pump.

### CAUTION

The strainer should be positioned so it will remain completely **under water**. Running the pump with the strainer above water for long periods can damage the pump. To prevent the pump from drawing in sand and debris, place strainer on a board so that strainer will not touch bottom of water bed..

### DANGER

**DO NOT** pump flammable fluids, corrosive chemicals or fluids containing toxic substances. These fluids can create potentially dangerous health and environmental hazards. Contact local authorities for assistance.

### CAUTION

This pump uses a water-cooled **mechanical seal** to prevent water from seeping into the engine. The passage of water through the pump casing lubricates the seal and prevents it from overheating. **NEVER!** operate the pump without water in the casing as this will cause damage to the mechanical seal.



## CAUTION

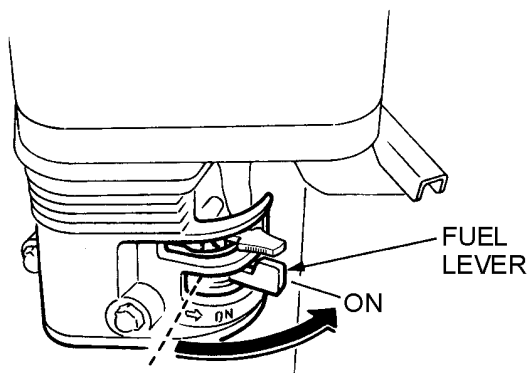


**DO NOT** attempt to operate the pump until the Safety, General Information and Inspection sections of this manual have been *read and thoroughly understood*.

This section is intended to assist the operator with the initial start-up of the pump. It is extremely important that this section be read carefully before attempting to use the pump in the field.

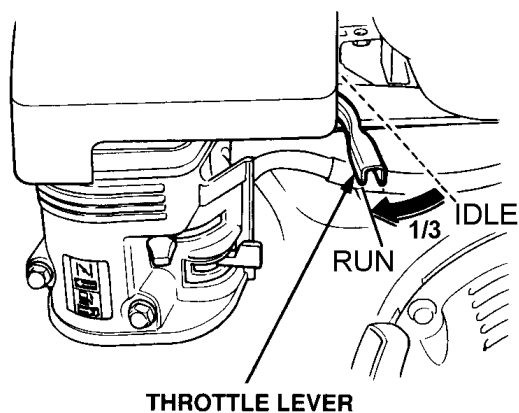
### STARTING THE ENGINE (HONDA)

1. Place the engine fuel valve lever (See Figure 6) to the "ON" position.



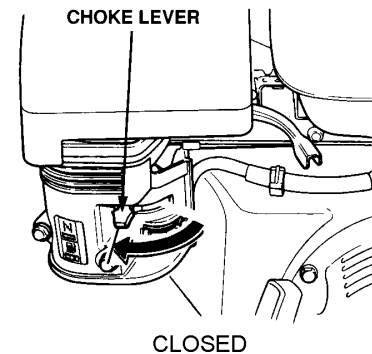
**Figure 6. Engine Fuel Valve Lever (ON Position)**

2. Move the throttle lever (See Figure 7) away from the slow position, about 1/3 of the way toward the fast position.



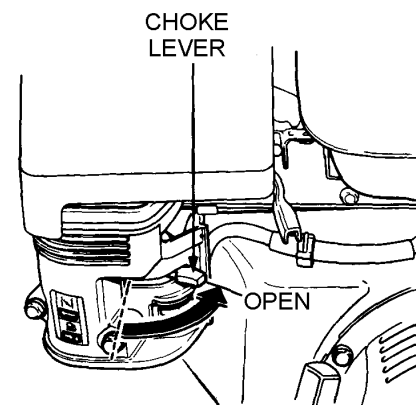
**Figure 7. Throttle Lever (1/3 Start Position)**

3. Place the choke lever (See Figure 8) in the "CLOSED" position if starting a cold engine.



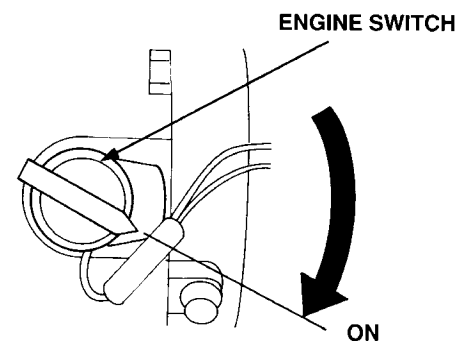
**Figure 8. Engine Choke Lever (Closed)**

4. Place the choke lever (See Figure 9) in the "OPEN" position if starting a warm engine or the temperature is warm.



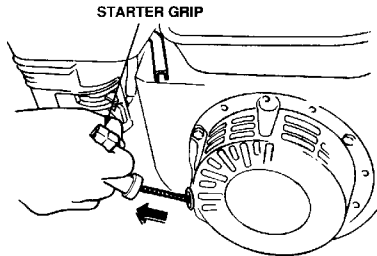
**Figure 9. Engine Choke Lever (Open)**

5. Place the engine ON/OFF switch (See Figure 10) in the "ON" position.



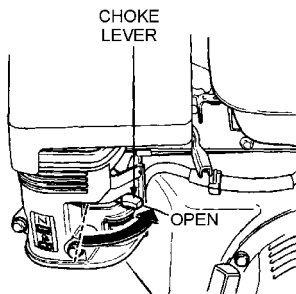
**Figure 10. Engine ON/OFF Switch (ON Position)**

6. Grasp the starter grip (See Figure 11) and slowly pull it out. The resistance becomes the hardest at a certain position, corresponding to the compression point. Pull the starter grip briskly and smoothly for starting.



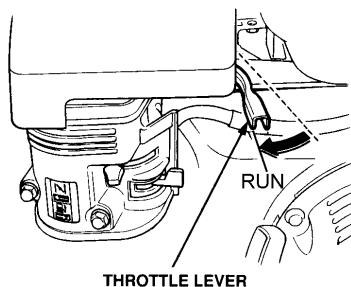
**Figure 11. Starter Grip**

7. If the engine has started, and the choke lever was moved to the CLOSED position to start the engine, gradually move the choke lever lever to the OPEN position as the engine warms up. If the engine has not started repeat steps 1 through 6.



**Figure 12. Choke Lever (Open)**

8. Before the pump is placed in to operation, run the engine for several minutes. Check for fuel leaks, and noises that would be associated with a loose component.
9. To begin pumping, place the throttle lever (See Figure 13) in the "RUN" position.



**Figure 13. Throttle Lever (Run)**

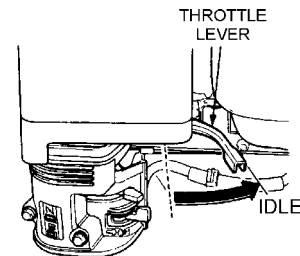
## **CAUTION**

**ALWAYS** run engine at *full speed* while pumping.

## STOPPING THE ENGINE

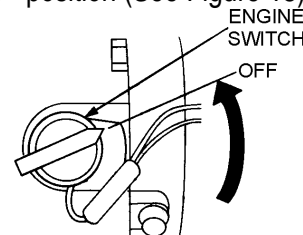
### Normal Shutdown

1. Move the throttle lever to the IDLE position (See Figure 14) and run the engine for three minutes at low speed.



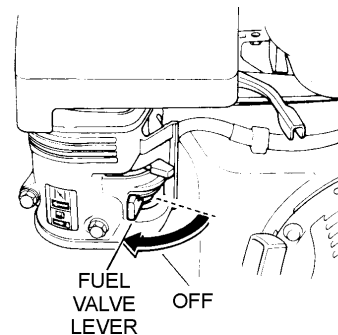
**Figure 14. Throttle Lever (Idle)**

2. After the engine cools, turn the engine ON/OFF switch to the "OFF" position (See Figure 15).



**Figure 15. Engine O/OFF Switch (OFF)**

3. Place the fuel shut-off lever (See Figure 16) in the OFF position.



**Figure 16. Fuel Valve Lever (OFF)**

### Emergency Shutdown

1. Move the throttle lever quickly to the IDLE position, and place the engine ON/OFF switch in the OFF position.

# MAINTENANCE (PUMP)

## PUMP VACUUM TEST

### CAUTION

**DO NOT** attempt to start the engine unless the pump has previously been **primed** with water. Severe pump damage will occur if pump has not been primed.

To perform the pump vacuum test do the following:

1. Remove the pump fill cap (See Figure 2), and fill the pump with water.
2. Start the engine as outlined in the initial start-up section, and wait for the pump to begin pumping.
3. As shown in Figure 17, place a water hose inside the discharge opening of the pump, and turn on the water. This flow of water into the discharge opening will **prevent** the pump from running dry.
4. Place the Pump Vacuum Tester (P/N 7000030) over the pump suction (inlet) opening (See Figure 17) with the vacuum gauge facing upwards. It may be necessary to apply a small amount of water around the rubber seal of the vacuum tester to make a good suction fit.
5. Check and make sure that there are no air leaks between the vacuum tester and the inlet port on the pump. If air leaks are present reseal vacuum tester.
6. Run the pump for a few minutes while monitoring the vacuum gauge. If the gauge indicates a reading between -25 and -20 in. Hg. (inches of mercury) then it can be assumed that the pump is working correctly.

### NOTICE

25 in. Hg (inches of mercury) translates into 25 feet of lift at **sea level**.

7. If the vacuum tester gauge indicates a reading below -20 in. Hg, it can then be assumed that the pump is not functioning correctly, and corrective action needs to be taken.
8. To test the flapper valve, shutdown the engine. The vacuum tester should remain attached to the pump suction inlet port by vacuum. This indicates the pump's flapper valve is seating properly to hold water in the suction hose when the engine is stopped. This prevents backflow and allows for faster priming when the engine is restarted.

## ADJUSTING IMPELLER CLEARANCE

1. If it is necessary to replace impeller or volute, be sure clearance between impeller and volute is adjusted correctly.
2. The impeller should be as close to the volute as possible without rubbing against it. Clearance is adjusted by adding or removing **shims** from behind the impeller.
3. Check clearance between impeller and insert by slowly pulling starter rope to turn impeller. Remove spark plug to make it easier to turn impeller.

### NOTICE

**QP305SLT only** — It is important not to remove too many shims or the clearance between the impeller and volute will become **too wide** and pump performance will be reduced. Remember as the impeller wear down, additional shims may be required to maintain the clearance between the impeller and insert.

4. Check the impeller **every six months** for wear, and for clearance between the impeller face and the volute. Also check the shaft seal for wear, as well as the shaft sleeve.

### CAUTION

The impeller may develop **sharp edges**. Use extreme care when checking the impeller to prevent being cut.

## CAUTION

DO NOT RUN PUMP  
WITHOUT WATER.

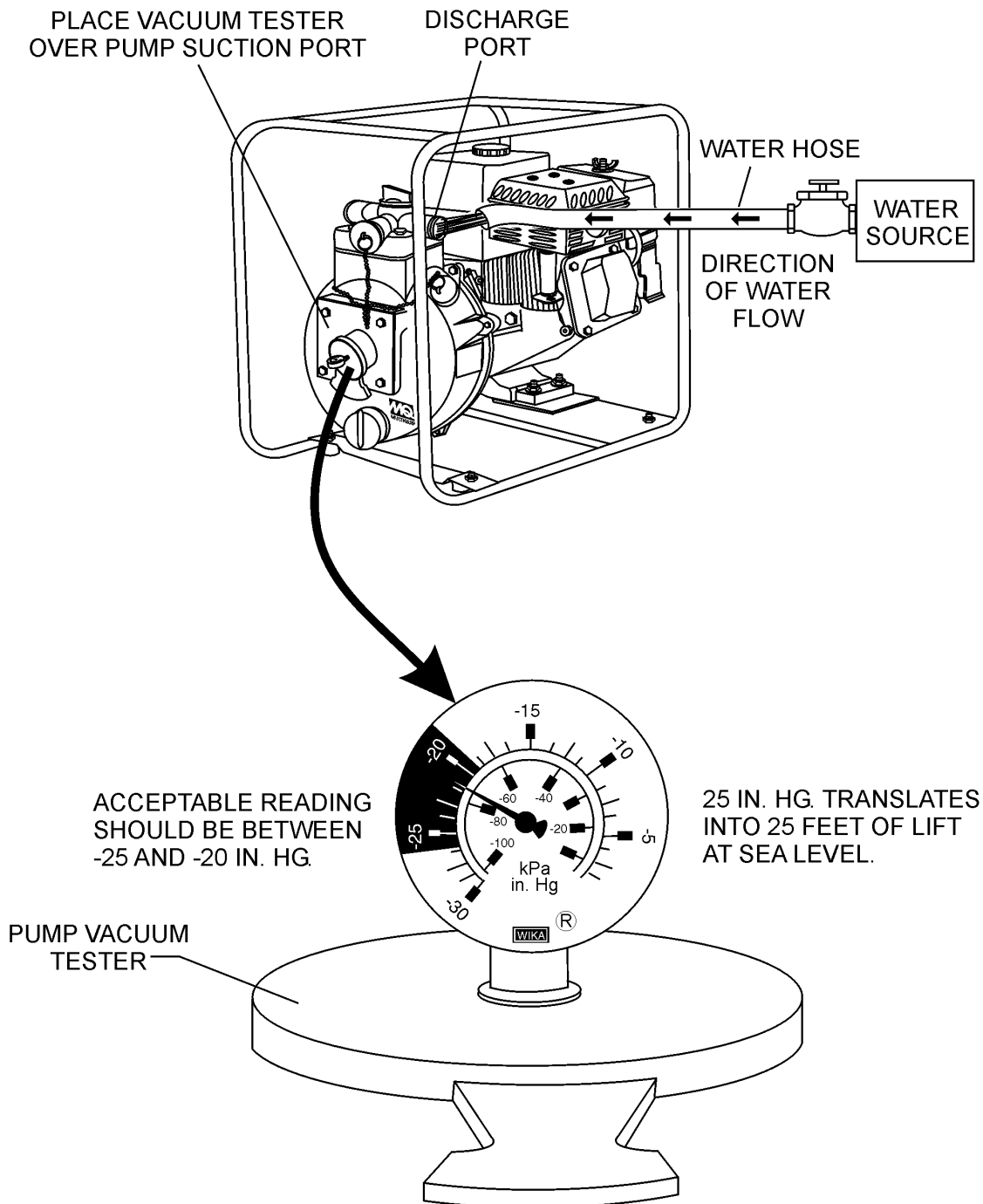


Figure 17. Pump Vacuum Tester

# MAINTENANCE (ENGINE)

## ENGINE MAINTENANCE

Perform engine maintenance procedures as referenced by Table 6 below:

Table 6. Engine Maintenance Schedule							
Description (3)	Operation	Before	First Month or 10 hrs	Every 3 Months or 25 hrs	Every 6 Months or 50 hrs	Every Year or 100 hrs	Every 2 Years or 200 hrs
Engine Oil	CHECK	X					
	CHANGE		X				
Air Cleaner	CHECK	X					
	CHANGE			X (1)			
All Nuts and Bolts	Re-tighten If Necessary	X					
Spark Plug	CHECK-CLEAN				X		
	REPLACE						X
Cooling Fins	CHECK				X		
Spark Arrester	CLEAN					X	
Fuel Tank	CLEAN					X	
Fuel Filter	CHECK					X	
Idle Speed	CHECK-ADJUST					X (2)	
Valve Clearance	CHECK-ADJUST						X (2)
Fuel lines	CHECK	Every 2 years (replace if necessary) (2)					
<ol style="list-style-type: none"> <li>1. Service more frequently when used in <b>DUSTY</b> areas.</li> <li>2. These items should be serviced by your service dealer, unless you have the proper tools and are mechanically proficient. Refer to the HONDA shop Manual for service procedures.</li> <li>3. For commercial use, log hours of operation to determine proper maintenance intervals.</li> </ol>							

### NOTICE

Refer to manufacturer's engine manual for specific servicing instructions.

# MAINTENANCE (ENGINE)

## MAINTENANCE

Perform the engine maintenance procedures as indicated below:

### Daily

1. Thoroughly remove dirt and oil from the engine and control area.
2. Clean or replace the air cleaner elements as necessary.
3. Check and retighten all fasteners as necessary.
4. Check the spring box and bellows for oil leaks. Repair or replace as needed.

### Weekly

1. Remove the fuel filter cap and clean the inside of the fuel tank.
2. Remove or clean the filter at the bottom of the tank.
3. Remove and clean the spark plug (See Figure 18), then adjust the spark gap to 0.028~0.031 inch (0.6~0.7 mm). This unit has electronic ignition, which requires no adjustments.

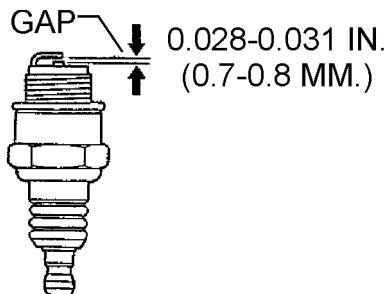


Figure 18. Spark Plug Gap

## ENGINE OIL

1. Drain the engine oil when the oil is **warm** as shown in Figure 19.
2. Remove the oil drain bolt and sealing washer and allow the oil to drain into a suitable container.
3. Replace engine oil with recommended type oil as listed in Table 5. Engine oil capacity is 1.16 quarts (1.1 liters). **DO NOT** over fill.
4. Install drain bolt with sealing washer and tighten securely.

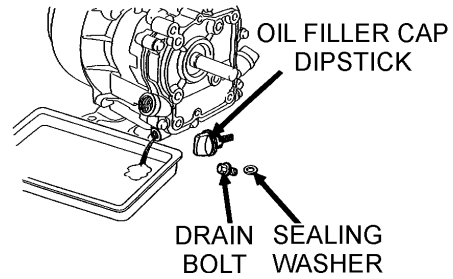


Figure 19. Oil Drain



### DANGER



**DO NOT** use gasoline as a cleaning solvent, because that would create a risk of fire or explosion.

## ENGINE AIR CLEANER

1. Remove the air cleaner cover and foam filter element as shown in Figure 20.
2. Tap the paper filter element (See Figure 20) several times on a hard surface to remove dirt, or blow compressed air [not exceeding 30 psi (207 kPa, 2.1 kgf/cm<sup>2</sup>)] through the filter element from the air cleaner case side. **NEVER** brush off dirt. Brushing will force dirt into the fibers. Replace the paper filter element if it is excessively dirty.
3. Clean foam element in warm, soapy water or non-flammable solvent. Rinse and dry thoroughly. Dip the element in clean engine oil and completely squeeze out the excess oil from the element before installing.

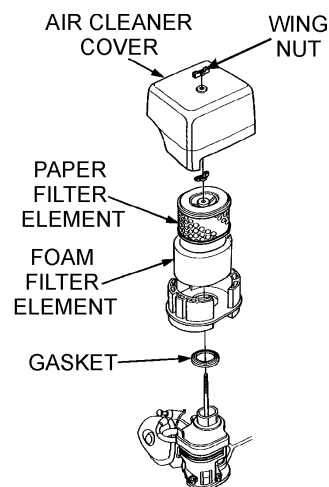


Figure 20. Engine Air Cleaner

# PREPARATION FOR LONG-TERM STORAGE

---

## PUMP STORAGE

For storage of the pump for over 30 days, the following is required:

- Drain the fuel tank completely.
- Run the engine until the fuel in the injection system is completely consumed.
- Completely drain used oil from the engine crankcase and fill with fresh clean oil, then follow the procedures described in the engine manual for engine storage.
- Remove the drain plug from the pump and drain out any water left in the housing.
- Cover suction and discharge ports with duct tape to prevent any foreign matter from falling into pump.
- Cover pump and engine with plastic covering or equivalent and store in a clean, dry place.
- To protect the water-cooled seals, place one-half pint of lubricating oil (new or used) through the discharge opening on the pump and crank the engine several times. This will prevent excessive corrosion and also keep the mechanical seal lubricated.

# TROUBLESHOOTING

<b>Troubleshooting (Pump)</b>		
<b>Symptom</b>	<b>Possible Cause</b>	<b>Solution</b>
Pump does not take on water.	Not enough priming water in the housing?	Add water.
	Engine speed too low?	Increase throttle.
	Strainer plugged?	Clean strainer.
	Suction hose damaged?	Replace or repair hose, and clamps.
	Air leak at suction port?	Check that fittings are tight and properly sealed.
	Pump is located too high above water line?	Move pump closer to water.
	Debris collecting in pump housing?	Clean pump housing.
	Too much distance between impeller and volute.	Adjust clearance by adding shims or replace impeller. Min. .006" - Max. .020".
	Water leaking out weep hole between pump and engine?	Check condition of mechanical seal and gaskets, between pump end and engine housing.
Pump takes in water, little or no discharge.	Engine speed too low?	Increase throttle speed.
	Suction strainer partially plugged?	Clean strainer.
	Impeller/Volute worn?	Adjust clearance by adding shims or replace impeller/volute.
Suction hose leaks at inlet.	Fittings/clamps are not sealed properly?	Tighten, replace or add clamp. (Keep extra seals on pump).
	Hose diameter is too large?	Use smaller diameter hose or replace hose.
Discharge does not stay on coupling.	Pressure too high?	Check pressure, add additional clamp.
	Hose kinked or end blocked?	Check hose.
Impeller does not turn: pump is hard to start.	Impeller jammed or blocked?	Open pump cover and clean dirt and debris from inside housing.
	Impeller and volute binding?	Adjust clearance by removing shim from behind impeller.
	Defective engine?	See Engine Owner's Manual.



# TROUBLESHOOTING

Troubleshooting (Engine)		
Symptom	Possible Problem	Solution
Difficult to start, fuel is available, but no spark at spark plug.	Spark plug bridging?	Check gap, insulation or replace spark plug.
	Carbon deposit on spark plug?	Clean or replace spark plug.
	Short circuit due to deficient spark plug insulation?	Check spark plug insulation, replace if worn.
	Improper spark plug gap?	Set to proper gap.
	Fuel reaching carburetor?	Check fuel line.
	Water in fuel tank?	Flush or replace fuel tank.
	Fuel filter clogged?	Replace fuel filter.
	Stuck carburetor?	Check float mechanism.
	Spark plug is red?	Check transistor ignition unit.
	Spark plug is bluish white?	If insufficient compression, repair or replace engine. If injected air leaking, correct leak. If carburetor jets clogged, clean carburetor.
	No spark present at tip of spark plug?	Check transistor ignition unit is broken, and replace defective unit. Check if voltage cord cracked or broken and replace. Check if spark plug if fouled and replace.
	No oil?	Add oil as required.
	Oil pressure alarm lamp blinks upon starting? (if applicable)	Check automatic shutdown circuit, "oil sensor". (if applicable)
Difficult to start, fuel is available, and spark is present at the spark plug.	ON/OFF switch is shorted?	Check switch wiring, replace switch.
	Ignition coil defective?	Replace ignition coil.
	Improper spark gap, points dirty?	Set correct spark gap and clean points.
	Condenser insulation worn or short circuiting?	Replace condenser.
	Spark plug wire broken or short circuiting?	Replace defective spark plug wiring.
Difficult to start, fuel is available, spark is present and compression is normal.	Wrong fuel type?	Flush fuel system, and replace with correct type of fuel.
	Water or dust in fuel system?	Flush fuel system.
	Air cleaner dirty?	Clean or replace air cleaner.
	Choke open?	Close choke.
Difficult to start, fuel is available, spark is present and compression is low.	Suction/exhaust valve stuck or protruded?	Reseat valves.
	Piston ring and/or cylinder worn?	Replace piston rings and/or piston.
	Cylinder head and/or spark plug not tightened properly?	Torque cylinder head bolts and spark plug.
	Head gasket and/or spark plug gasket damaged?	Replace head and spark plug gaskets.
No fuel present at carburetor.	No fuel in fuel tank?	Fill with correct type of fuel.
	Fuel cock does not open properly?	Apply lubricant to loosen fuel cock lever, replace if necessary.
	Fuel filter/lines clogged?	Replace fuel filter.
	Fuel tank cap breather hole clogged?	Clean or replace fuel tank cap.
	Air in fuel line?	Bleed fuel line.

# TROUBLESHOOTING

<b>Troubleshooting (Engine) - continued</b>		
<b>Symptom</b>	<b>Possible Problem</b>	<b>Solution</b>
Weak in power, compression is proper and does not misfire.	Air cleaner dirty?	Clean or replace air cleaner.
	Improper level in carburetor?	Check float adjustment, rebuild carburetor.
	Defective spark plug?	Clean or replace spark plug.
	Improper spark plug?	Set to proper gap.
Weak in power, compression is proper but misfires.	Water in fuel system?	Flush fuel system and replace with correct type of fuel.
	Dirty spark plug?	Clean or replace spark plug.
	Ignition coil defective?	Replace ignition coil.
Engine overheats.	Spark plug heat value incorrect?	Replace with correct type of spark plug.
	Wrong type of fuel?	Replace with correct type of fuel.
	Cooling fins dirty?	Clean cooling fins.
	Intake air restricted?	Clear intake of dirt and debris. Replace air cleaner elements as necessary.
	Oil level too low or too high?	Adjust oil to proper level.
Rotational speed fluctuates.	Governor adjusted incorrectly?	Adjust governor.
	Governor spring defective?	Replace governor spring.
	Fuel flow restricted?	Check entire fuel system for leaks or clogs.
Recoil starter malfunctions. (if applicable)	Recoil mechanism clogged with dust and dirt?	Clean recoil assembly with soap and water.
	Spiral spring loose?	Replace spiral spring.
Starter malfunctions.	Loose, damaged wiring?	Ensure tight, clean connections on battery and starter.
	Battery insufficiently charged?	Recharge or replace battery.
	Starter damaged or internally shorted?	Replace starter.
Burns too much fuel.	Over-accumulation of exhaust products?	Check and clean valves. Check muffler and replace if necessary.
	Wrong spark plug?	Replace spark plug with manufacturer's suggested type.
Exhaust color is continuously "white".	Lubricating oil is wrong viscosity?	Replace lubricating oil with correct viscosity.
	Worn rings?	Replace rings.
Exhaust color is continuously "black".	Air cleaner clogged?	Clean or replace air cleaner.
	Choke valve set to incorrect position?	Adjust choke valve to correct position.
	Carburetor defective, seal on carburetor broken?	Replace carburetor or seal.
	Poor carburetor adjustment, engine runs too rich?	Adjust carburetor.
Will not start, no power with key "ON". (if applicable)	ON/OFF device not activated ON?	Turn on ON/OFF device.
	Battery disconnected or discharged?	Check cable connections. Charge or replace battery
	Ignition switch/wiring defective?	Replace ignition switch. Check wiring.



# EXPLANATION OF CODE IN REMARKS COLUMN

The following section explains the different symbols and remarks used in the Parts section of this manual. Use the help numbers found on the back page of the manual if there are any questions.

## NOTICE

The contents and part numbers listed in the parts section are subject to change **without notice**. Multiquip does not guarantee the availability of the parts listed.

## SAMPLE PARTS LIST

NO.	PART NO.	PART NAME	QTY.	REMARKS
1	12345	BOLT .....	1	INCLUDES ITEMS W/%
2%		WASHER, 1/4 IN. ....		NOT SOLD SEPARATELY
2%	12347	WASHER, 3/8 IN. ...	1	MQ-45T ONLY
3	12348	HOSE .....	A/R	MAKE LOCALLY
4	12349	BEARING .....	1	S/N 2345B AND ABOVE

## NO. Column

**Unique Symbols** — All items with same unique symbol

(@, #, +, %, or >) in the number column belong to the same assembly or kit, which is indicated by a note in the “Remarks” column.

**Duplicate Item Numbers** — Duplicate numbers indicate multiple part numbers, which are in effect for the same general item, such as different size saw blade guards in use or a part that has been updated on newer versions of the same machine.

## NOTICE

When ordering a part that has more than one item number listed, check the remarks column for help in determining the proper part to order.

## PART NO. Column

**Numbers Used** — Part numbers can be indicated by a number, a blank entry, or TBD.

TBD (To Be Determined) is generally used to show a part that has not been assigned a formal part number at the time of publication.

A blank entry generally indicates that the item is not sold separately or is not sold by Multiquip. Other entries will be clarified in the “Remarks” Column.

## QTY. Column

**Numbers Used** — Item quantity can be indicated by a number, a blank entry, or A/R.

A/R (As Required) is generally used for hoses or other parts that are sold in bulk and cut to length.

A blank entry generally indicates that the item is not sold separately. Other entries will be clarified in the “Remarks” Column.

## REMARKS Column

Some of the most common notes found in the “Remarks” Column are listed below. Other additional notes needed to describe the item can also be shown.

**Assembly/Kit** — All items on the parts list with the same unique symbol will be included when this item is purchased.

Indicated by:

“INCLUDES ITEMS W/(unique symbol)”

**Serial Number Break** — Used to list an effective serial number range where a particular part is used.

Indicated by:

“S/N XXXXX AND BELOW”

“S/N XXXX AND ABOVE”

“S/N XXXX TO S/N XXX”

**Specific Model Number Use** — Indicates that the part is used only with the specific model number or model number variant listed. It can also be used to show a part is NOT used on a specific model or model number variant.

Indicated by:

“XXXXX ONLY”

“NOT USED ON XXXX”

**“Make/Obtain Locally”** — Indicates that the part can be purchased at any hardware shop or made out of available items. Examples include battery cables, shims, and certain washers and nuts.

**“Not Sold Separately”** — Indicates that an item cannot be purchased as a separate item and is either part of an assembly/kit that can be purchased, or is not available for sale through Multiquip.

## SUGGESTED SPARE PARTS

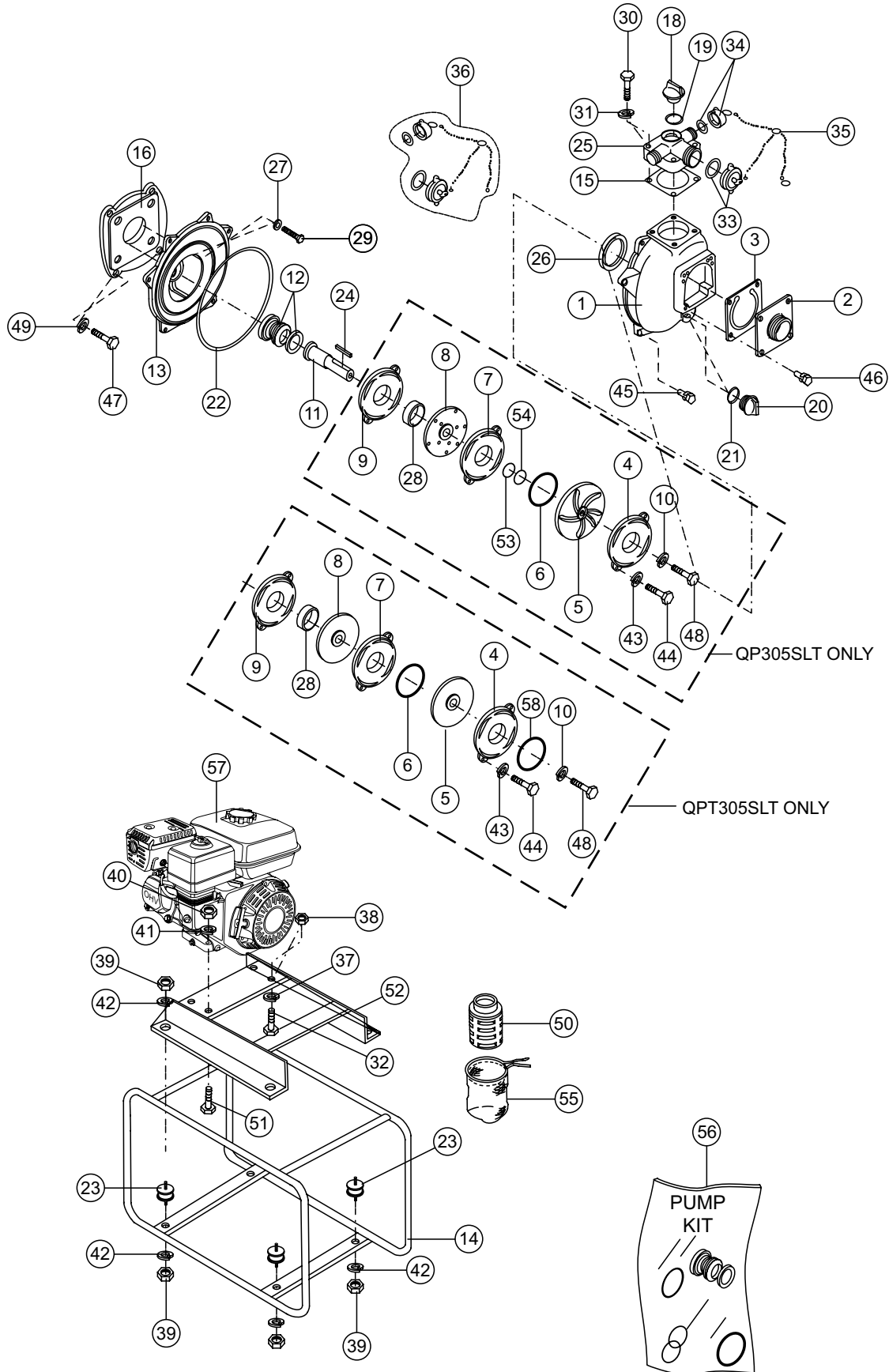
### QP305SLT/QPT305SLT CENTRIFUGAL PUMP WITH HONDA GX340K1PKT2/GX340U1PKT2 ENGINE 1 TO 3 UNITS

Qty.	P/N	Description
2	KIT305	KIT, PUMP, MECHANICAL SEAL, SLEEVE, O-RINGS
2	.0631211100	ASSY DRAIN CAP, FLOODING W/ O-RING
1	.1878000040	IMPELLER
3	.17210ZE3010	ELEMENT AIR CLEANER
3	.9807955846	SPARK PLUG
1	.17620ZH7023	CAP, FUEL FILLER
1	.28462ZE3W01	ROPE, RECOIL STARTER
1	.0742303080	STRAINER
1	.0920303014	NYLON NET
2	.1814209660	ASSY BALL CHAIN, W/ CAPS

#### NOTICE

Part numbers on this Suggested Spare Parts list may supersede/replace the part numbers shown in the following parts lists.

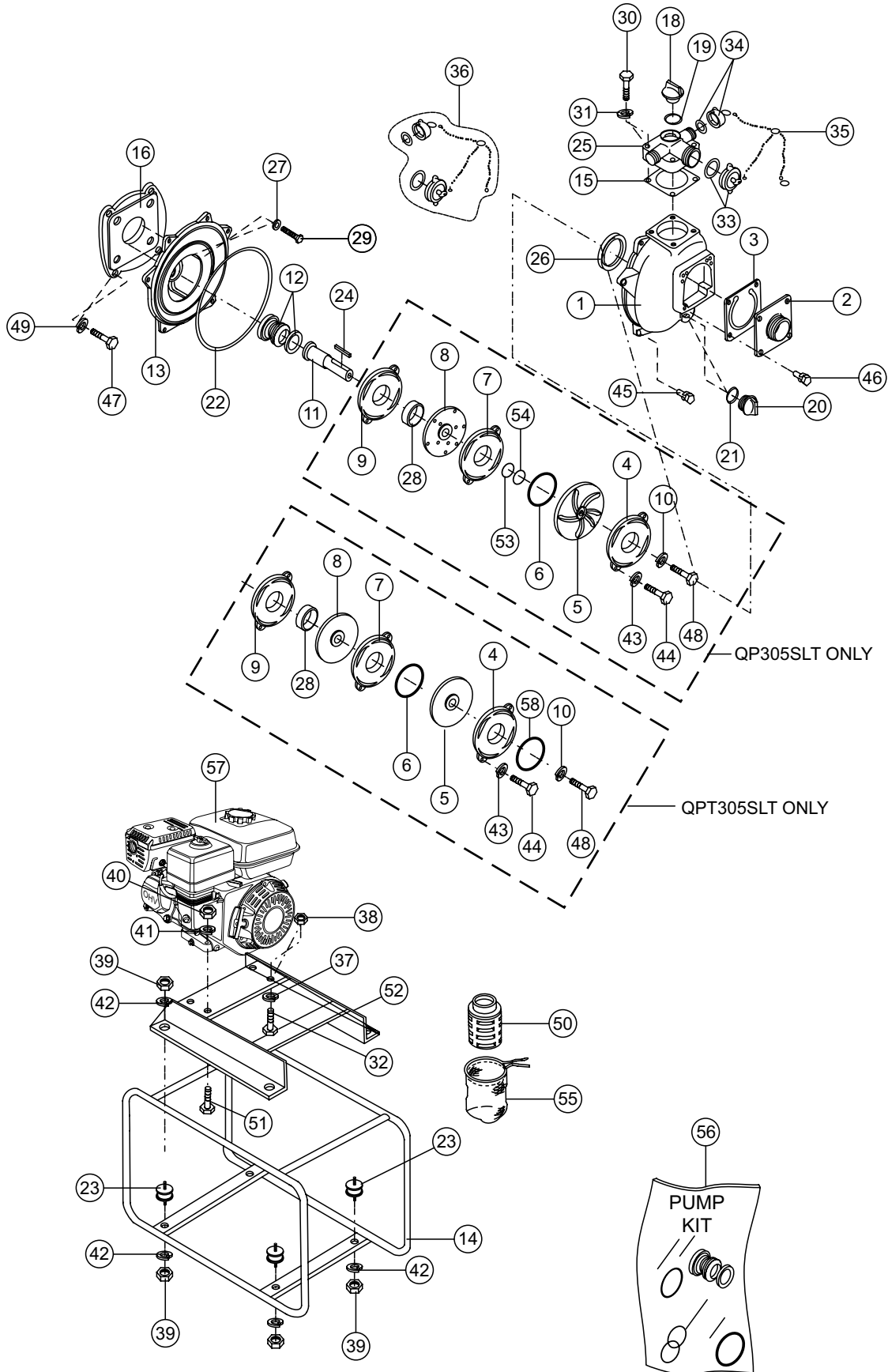
# PUMP ASSEMBLY



## PUMP ASSEMBLY

<u>NO.</u>	<u>PART NO.</u>	<u>PART NAME</u>	<u>QTY.</u>	<u>REMARKS</u>
1	1814100010	CASING	1	
2	13910001600014	SUCTION COVER, NPT 3"	1	
3	1378350350	CHECK VALVE	1	
4	1878060130	VOLUTE CASING.....	1.....	QP305SLT ONLY
4	7207060130	VOLUTE CASING.....	1.....	QPT305SLT ONLY
5	1878000040	IMPELLER 2.....	1.....	QP305SLT ONLY
5	7207060030	IMPELLER 2.....	1.....	QPT305SLT ONLY
6*	1878081290	LINER RING 2	1	
7	1878060110	VOLUTE CASING 2.....	1.....	QP305SLT ONLY
7	7207060110	VOLUTE CASING 2.....	1.....	QPT305SLT ONLY
8	1878060030	IMPELLER SET	1	
9	1878060120	VOLUTE CASING 3.....	1.....	QP305SLT ONLY
9	7207060120	VOLUTE CASING 3.....	1.....	QPT305SLT ONLY
10	43592012400011	IMPELLER WASHER 34 X 9 X 4.5T.....		QP305SLT ONLY
10	7207251240	IMPELLER WASHER 34 x 9 x 4.5T.....	1.....	QPT305SLT ONLY
11	1882221010	PUMP SHAFT	1	
12*	0803112930	MECHANICAL SEAL	1	
13	1988100020	CASING COVER	1	
14	1989214010P002	BASE	1	
15	1803330360	DELIVERY COVER PACKING	1	
16	43570006000014	CASING COVER SET PLATE	1	
18	0631211100ASSY	FLOODING CAP W/ O-RING	1	
19	0480350300	O'RING (FLOODING CAP), P30	1	
20	0631211100ASSY	DRAIN CAP W/ O-RING	1	
21	0480350300	O'RING (DRAIN CAP), P30	1	
22*	0489352550	O'RING (CASING) DIA.3.5 X 255	1	
23	0723302040	CUSHION RUBBER	1	
24	0510040443	KEY 1/4" X 1/4" X 43	1	
25	1814100090	DELIVERY COVER (3-WAY OUTLET).....	1.....	S/N 0551 AND BELOW
25	1814100091	DELIVERY COVER (3-WAY OUTLET).....	1.....	S/N 0552 AND ABOVE
26*	0482200750	O-RING (VOLUTE CASING)	1	
27	0458220080	SEAL WASHER	4	
28*	1803521220	LINER RING	1	

# PUMP ASSEMBLY

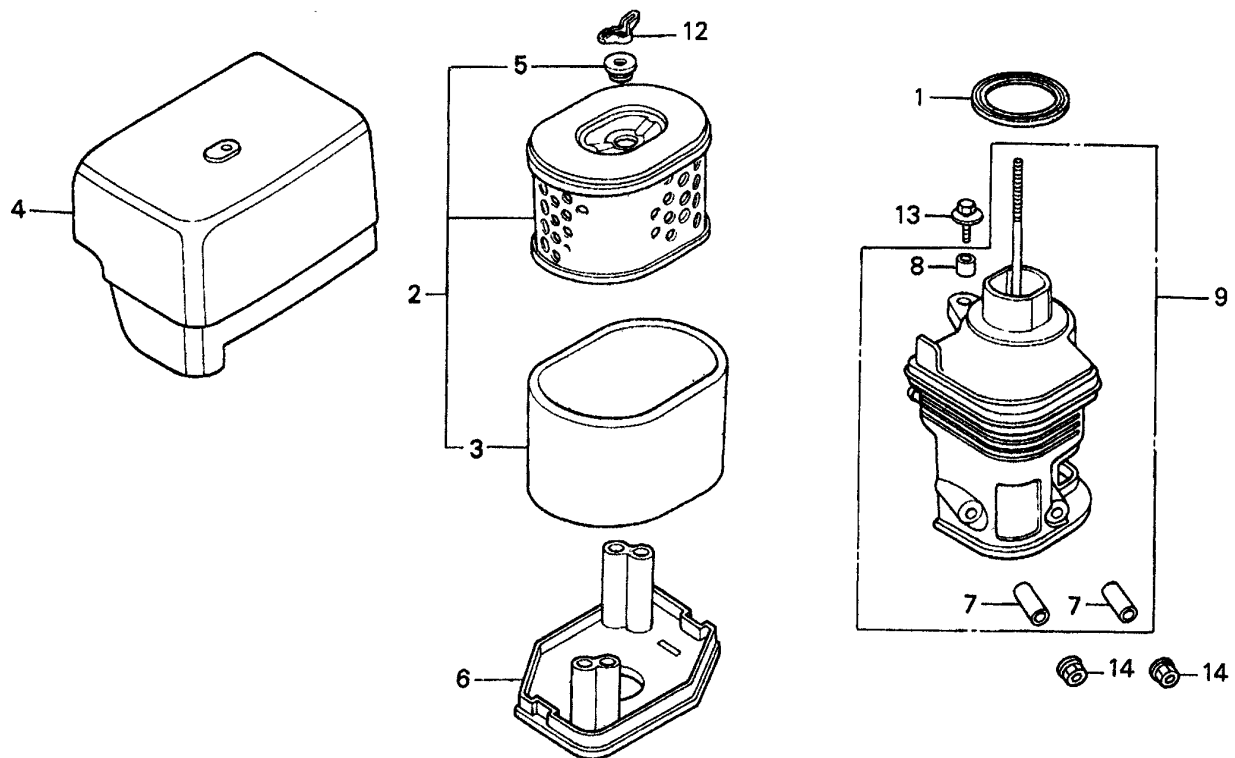




## PUMP ASSEMBLY

<u>NO.</u>	<u>PART NO.</u>	<u>PART NAME</u>	<u>QTY.</u>	<u>REMARKS</u>
29	0105050820	BOLT M8 X 20	4	
30	0105050845	BOLT M8 X 45.....	4.....	S/N 305SLT-0551 AND BELOW
30	0105050840	BOLT M8X40.....	4.....	S/N 305SLT-0552 AND ABOVE
31	0451250080	SPRING WASHER M8	4	
32	0105050850	BOLT M8 X 50	1	
33\$		CAP, W/ WASHER .....	1.....	NOT SOLD SEPARATELY
34\$		CAP, W/ WASHER .....	1.....	NOT SOLD SEPARATELY
35\$		CHAINS, CAPS.....	3.....	NOT SOLD SEPARATELY
36	1814209660ASSY	BALL CHAIN W/ CAPS.....	1.....	INCLUDES ITEMS W/ \$
37	0451250080	SPRING WASHER M8	1	
38	0205450080	NUT M8	1	
39	0205450100	NUT M10	8	
40	0205450100	NUT M10	4	
41	0451250100	SPRING WASHER M10	4	
42	0451250100	SPRING WASHER M10	8	
43	0451250080	SPRING WASHER M6	2	
44	0106050640	BOLT M6 X 40	2	
45	0181050825	BOLT WITH SPRING WASHER M8 X 25	6	
46	0181050825	BOLT WITH SPRING WASHER M8 X 25	4	
47	0191160625	BOLT	4	
48	0181050820	BOLT SET WITH SPRING WASHER.....	1.....	QP305SLT ONLY
48	0181090820	BOLT SET WITH SPRING WASHER.....	1.....	QPT305SLT ONLY
49	0451250100	SPRING WASHER	4	
50	0742303080	STRAINER	1	
51	0105051050	BOLT	4	
52	19882140210014	ENGINE BASE	1	
53*	0852834230	ADJUST LINER .....	1.....	QP305SLT ONLY
54*	0852854230	ADJUST LINER .....	1.....	QP305SLT ONLY
55	0920313014	NYLON NET	1	
56	KIT305	KIT, MECHANICAL SEAL, SLEEVE, O-RINGS.1.....	1.....	INCLUDES ITEMS W/ * QP305SLT ONLY
57	GX340K1PKT2	ENGINE .....	1.....	S/N 305SLT-0200 AND BELOW
57	GX340U1PKT2	ENGINE .....	1.....	S/N 305SLT-0201 AND ABOVE QPT305SLT
58	7207081300	LINER RING .....	1.....	QPT305SLT ONLY

# HONDA GX340K1PKT2/GX340U1PKT2 — AIR CLEANER ASSY.



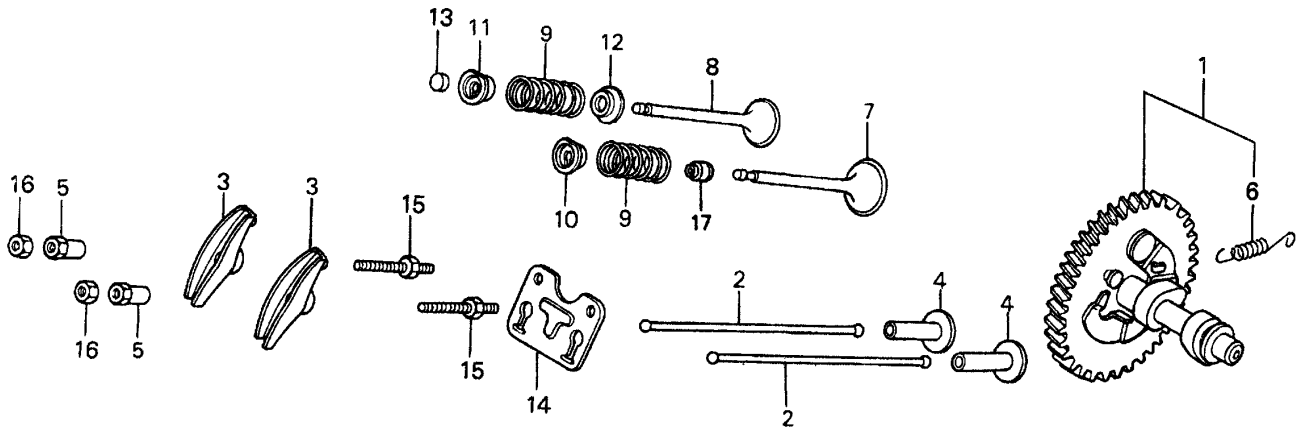
## HONDA GX340K1PKT2/GX340U1PKT2 — AIR CLEANER ASSY.

NO.	PART NO.	PART NAME	QTY.	REMARKS
1◆	16271ZE2000	GASKET, ELBOW	1	
1◇	16271ZE2010	GASKET, ELBOW	1	
2◆	17210ZE3505	ELEMENT, AIR CLEANER .....	1.....	INCLUDES ITEMS W/ *
2◇	17210ZE3010	ELEMENT, AIR CLEANER .....	1.....	INCLUDES ITEMS W/ %
3◆*	17218ZE3505	FILTER, OUTER	1	
3◇%	17218ZE3000	FILTER, OUTER	1	
4◆	17231ZE3W00	COVER, AIR CLEANER	1	
4◇	17231ZE3W01	COVER, AIR CLEANER	1	
5*%	17232891000	GROMMET, AIR CLEANER	1	
6◆	17235ZH9N00	NOSE, MUFFLER	1	
6◇	17235ZH9N01	NOSE, MUFFLER	1	
7#	17238ZE2310	COLLAR, AIR CLEANER	2	
8#	17239ZE1000	COLLAR B, AIR CLEANER	1	
9	17410ZH9N00	ELBOW, AIR CLEANER .....	1.....	INCLUDES ITEMS W/ #
12	90325044000	WINGNUT, TOOL BOX SETTING	1	
13◆	934040602008	BOLT- WASHER, 6X20	1	
13◇	90009ZE2003	BOLT- WASHER, 6X22	1	
14	9405006000	NUT, FLANGE (6MM)	2	

### NOTICE

- ◆ GX340K1PKT2: Model QP305SLT S/N 305SLT-0200 AND BELOW
- ◇ GX340U1PKT2: Model QP305SLT S/N 305SLT-0201 AND ABOVE.

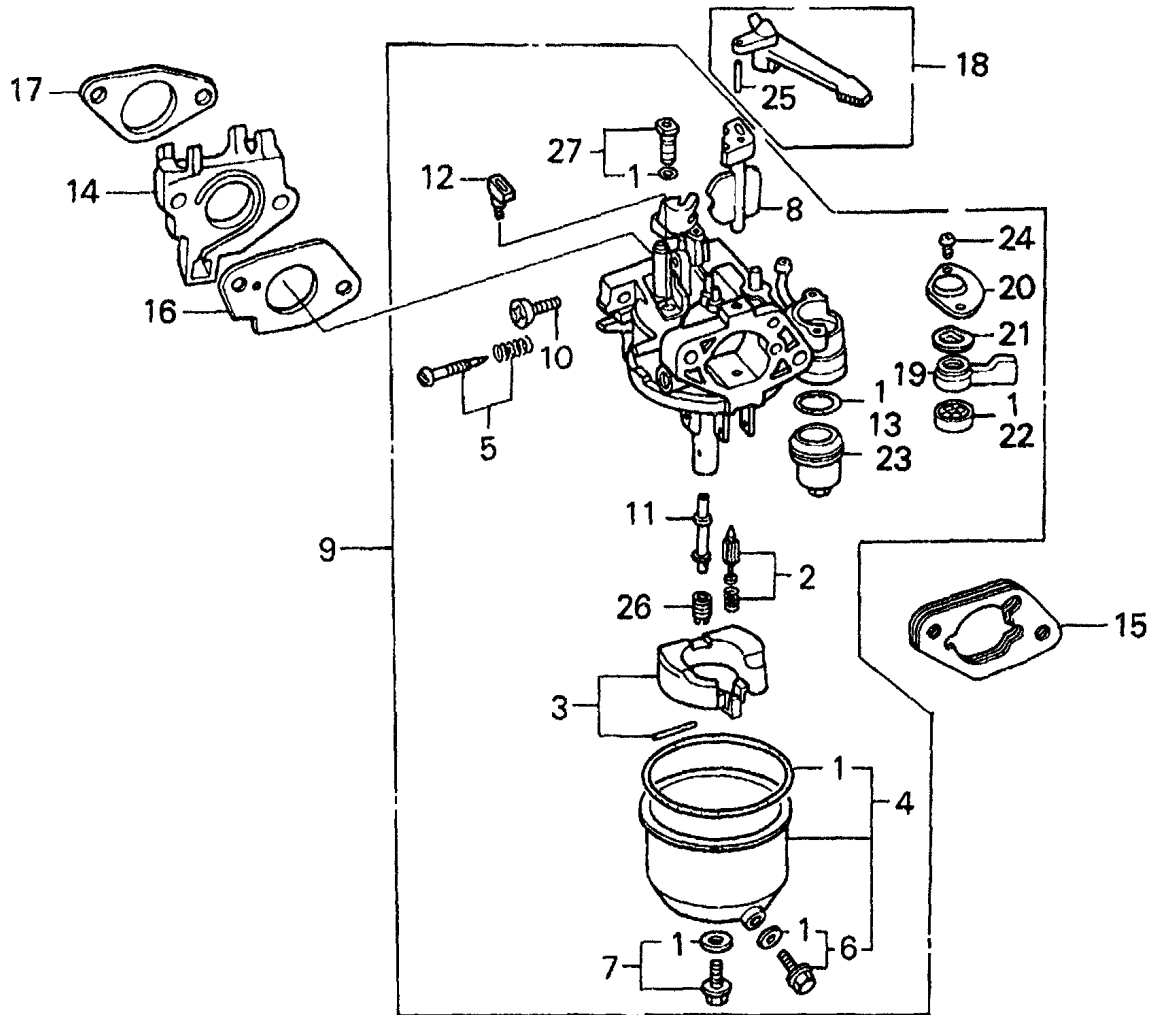
# HONDA GX340K1PKT2/GX340U1PKT2 — CAMSHAFT ASSY.



## HONDA GX340K1PKT2/GX340U1PKT2 — CAMSHAFT ASSY.

<u>NO.</u>	<u>PART NO.</u>	<u>PART NAME</u>	<u>QTY.</u>	<u>REMARKS</u>
1	14100ZE3020	CAMSHAFT ASSEMBLY .....	1.....	INCLUDES ITEM W/ *
2	14410ZE3013	ROD, PUSH	2	
3	14431ZE2010	ARM, VALVE ROCKER	2	
4	14441ZE2000	LIFTER, VALVE	2	
5	14451ZE1013	PIVOT, ROCKER ARM	2	
6*	14568ZE1000	SPRING, WEIGHT RETURN	1	
7	14711ZE3000	VALVE, IN.	1	
8	14721ZE3000	VALVE, EX.	1	
9	14751ZE2003	SPRING, VALVE	2	
10	14771ZE2000	RETAINER, IN. VALVE SPRING	1	
11	14773ZE2000	RETAINER, EX. VALVE SPRING	1	
12	14775ZE2010	SEAT, VALVE SPRING	1	
13	14781ZE2000	ROTATOR, VALVE	1	
14	14791ZE2010	PLATE, PUSH ROD GUIDE	1	
15	90012ZE0010	BOLT, PIVOT (8MM)	2	
16	90206ZE1000	NUT, PIVOT ADJ.	2	
17	12209ZE8003	SEAL, VALVE STEM	1	

# HONDA GX340K1PKT2/GX340U1PKT2 — CARBURETOR ASSY.



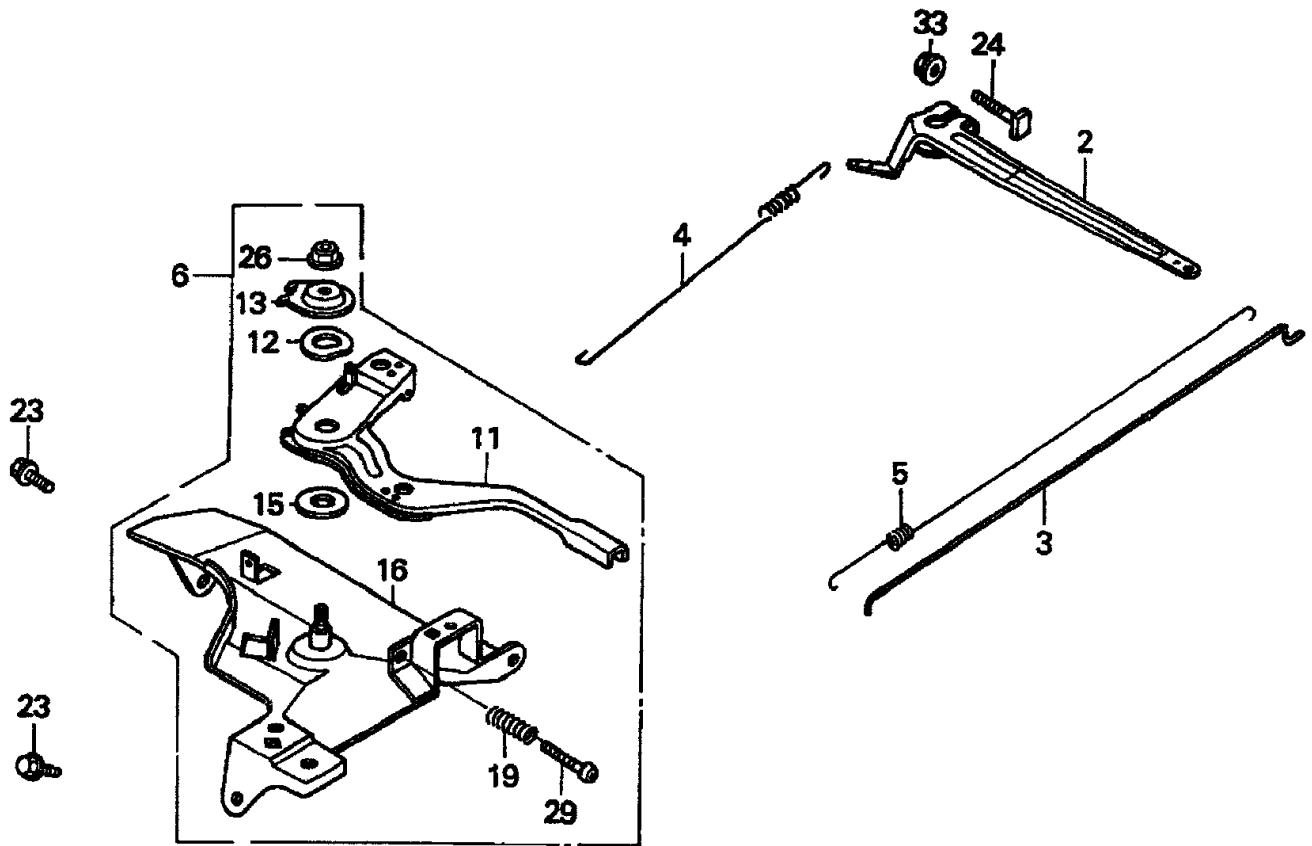
# HONDA GX340K1PKT2/GX340U1PKT2 — CARBURETOR ASSY.

<u>NO.</u>	<u>PART NO.</u>	<u>PART NAME</u>	<u>QTY.</u>	<u>REMARKS</u>
1*	16010ZE2812	GASKET SET	1	
2*	16011ZA0931	VALVE SET, FLOAT	1	
3*	16013ZA0931	FLOAT SET	1	
4*	16015ZE8005	CHAMBER SET, FLOAT	1	
5*	16016ZH7W01	SCREW SET	1	
6*	16024ZE1811	SCREW SET, DRAIN	1	
7*	16028ZE0005	SCREW SET B	1	
8*	16044ZE3811	CHOKE SET	1	
9	16100ZE3V01	CARBURETOR ASSEMBLY, BE80B B .....	1	INCLUDES ITEMS W/ *
10*	16124ZE0005	SCREW, THROTTLE STOP	1	
11*	16166ZE3W50	NOZZLE, MAIN	1	
12*	16172ZE3W10	COLLAR, SET	1	
13*	16173001004	GASKET, FUEL STRAINER CUP	1	
14	16211ZE3000	INSULATOR, CARBURETOR	1	
15	16220ZA0702	SPACER, CARBURETOR	1	
16	16221ZE3800	GASKET, CARBURETOR	1	
17	16223ZE3800	GASKET, INSULATOR	1	
18	16610ZE1000	LEVER, CHOKE (STANDARD).....	1	INCLUDES ITEM W/ \$
19◆*	16953ZE1811	LEVER, VALVE	1	
19◇*	16953ZE1812	LEVER, VALVE	1	
20*	16954ZE1812	PLATE, LEVER SETTING	1	
21*	16956ZE1811	SPRING, VALVE LEVER	1	
22*	16957ZE1812	GASKET, VALVE	1	
23*	16967ZE0811	CUP, FUEL STRAINER	1	
24◆*	93500030080G	SCREW, PAN(3X8)	2	
24◇*	93500030061H	SCREW, PAN(3X6)	2	
25\$	9430520122	PIN, SPRING (2X12)	1	
26	99101ZH80880	JET, MAIN #88 (OPTIONAL)	1	
26	99101ZH80900	JET, MAIN #90 (OPTIONAL)	1	
26*	99101ZH80920	JET, MAIN #92	1	
27*	99204ZE00350	JET SET, PILOT #35	1	

## NOTICE

- ◆ GX340K1PKT2: Model QP305SLT S/N 305SLT-0200 AND BELOW
- ◇ GX340U1PKT2: Model QP305SLT S/N 305SLT-0201 AND ABOVE.

# HONDA GX340K1PKT2/GX340U1PKT2 — CONTROL ASSY.

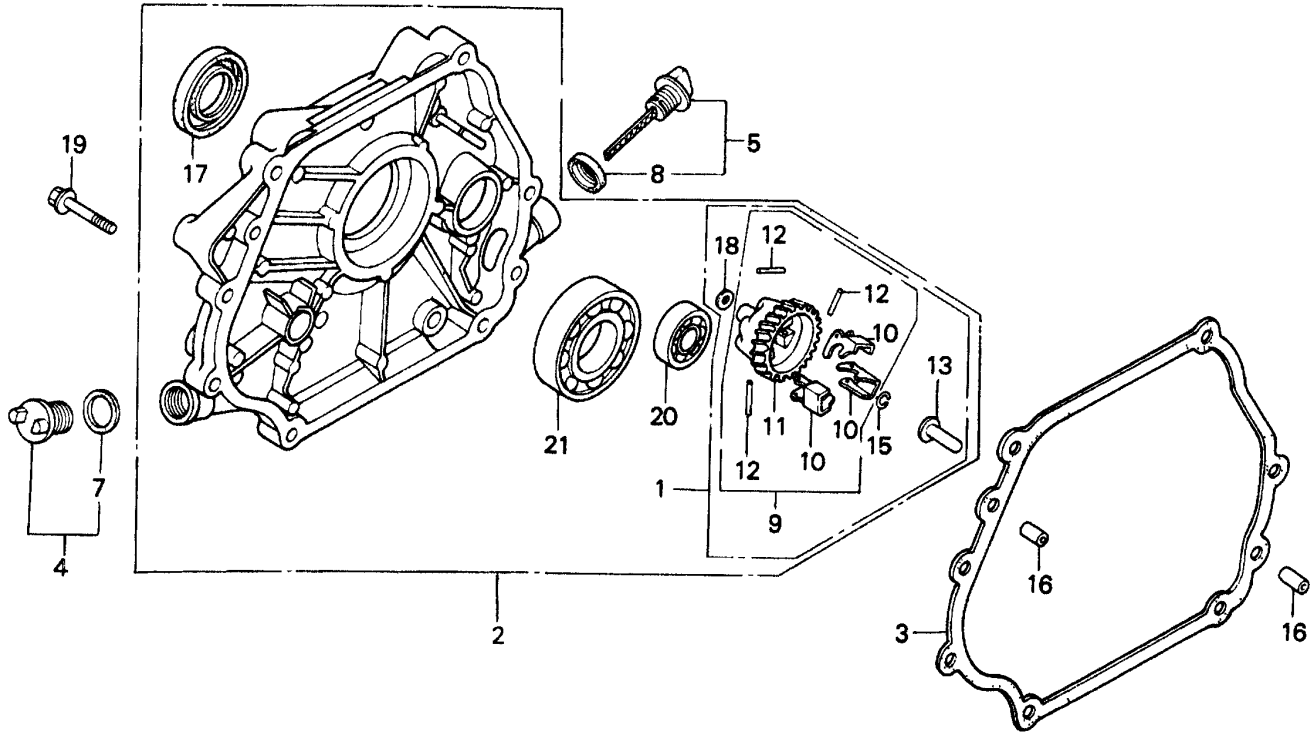




## HONDA GX340K1PKT2/GX340U1PKT2 — CONTROL ASSY.

<u>NO.</u>	<u>PART NO.</u>	<u>PART NAME</u>	<u>QTY.</u>	<u>REMARKS</u>
2	16551ZE3000	ARM, GOVERNOR	1	
3	16555ZE3000	ROD, GOVERNOR	1	
4	16561ZE3000	SPRING, GOVERNOR	1	
5	16562ZE3000	SPRING, THROTTLE RETURN	1	
6	16570ZE3W00	CONTROL ASSEMBLY, REMOTE.....	1.....	INCLUDES ITEMS W/ *
11*	16571ZE3W00	LEVER, CONTROL	1	
12*	16574ZE1000	SPRING, LEVER	1	
13*	16575ZE2W00	WASHER, CONTROL LEVER	1	
15*	16578ZE1000	SPACER, CONTROL LEVER	1	
16*	16581ZE3W00	BASE, CONTROL	1	
19*	16584883300	SPRING, CONTROL ADJUSTING	1	
23	90013883000	BOLT, FLANGE 6X12 (CT200)	2	
24	90015ZE5010	BOLT, GOVERNOR ARM	1	
26*	90114SA0000	NUT, SELF- LOCK 6MM	1	
29*	93500050320A	SCREW, PAN 5X32	1	
33	9405006000	NUT, FLANGE 6MM	1	

# HONDA GX340K1PKT2/GX340U1PKT2 — CRANKCASE COVER ASSY.



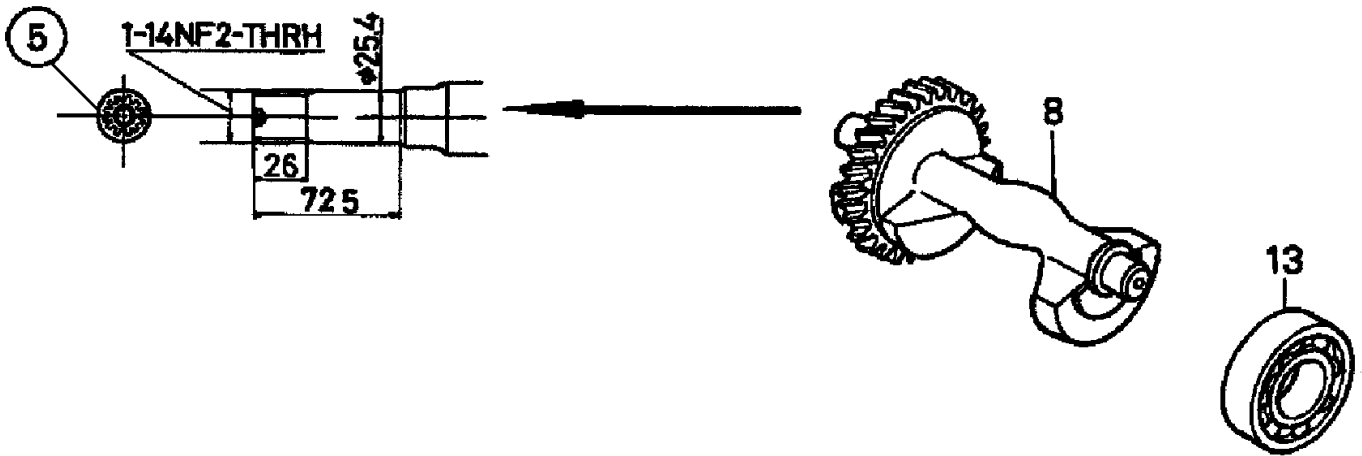
# HONDA GX340K1PKT2/GX340U1PKT2 — CRANKCASE COVER ASSY.

NO.	PART NO.	PART NAME	QTY.	REMARKS
1◆\$	06165ZE3000	GOVERNOR KIT, OPTIONAL.....	1.....	INCLUDES ITEMS W/ #
2◆	11300ZE3602	COVER ASSEMBLY, CRANKCASE Q- TYPE ...	1.....	INCLUDES ITEMS W/ \$
2◇	11300ZE3604	COVER ASSEMBLY, CRANKCASE.....	1.....	INCLUDES ITEM W/@
3◆	11381ZE3800	GASKET, CASE COVER	1	
3@	11381ZE3801	GASKET, CASE COVER	1	
4	15600ZG4003	CAP ASSEMBLY, OIL FILLER .....	1.....	INCLUDES ITEM W/ %
5	15600735003	CAP ASSEMBLY, OIL FILLER .....	1.....	INLCUDES ITEM W/ +
7%	15625ZE1003	GASKET, OIL FILLER CAP	1	
8+	15625ZE1003	GASKET, OIL FILLER CAP	1	
9#\$	16510ZE3000	GOVERNOR ASSEMBLY .....	1.....	INCLUDES ITEMS W/ *
10*#\$	16511ZE8000	WEIGHT, GOVERNOR	3	
11*#\$	16512ZE3000	HOLDER, GOVERNOR WEIGHT	1	
12*#\$	16513ZE2000	PIN, GOVERNOR WEIGHT	3	
13◆#\$	16531ZE2000	SLIDER, GOVERNOR	1	
13◇#\$	16531Z0A000	SLIDER, GOVERNOR	1	
15#\$	90602ZE1000	CLIP, GOVERNOR HOLDER	1	
16	90701HC4000	PIN, DOWEL 8X12	2	
17\$	91201ZE3004	OIL SEAL 35X52X8	1	
18#\$	9410106800	WASHER, PLAIN 6MM	1	
19	957010804000	BOLT, FLANGE 8X40	7	
20\$	961006202000	BEARING, RADIAL BALL 6202	1	
21\$	961006207000	BEARING, RADIAL BALL 6207	1	

## NOTICE

- ◆ GX340K1PKT2: Model QP305SLT S/N 305SLT-0200 AND BELOW
- ◇ GX340U1PKT2: Model QP305SLT S/N 305SLT-0201 AND ABOVE.

# HONDA GX340K1PKT2/GX340U1PKT2 — CRANKSHAFT ASSY.



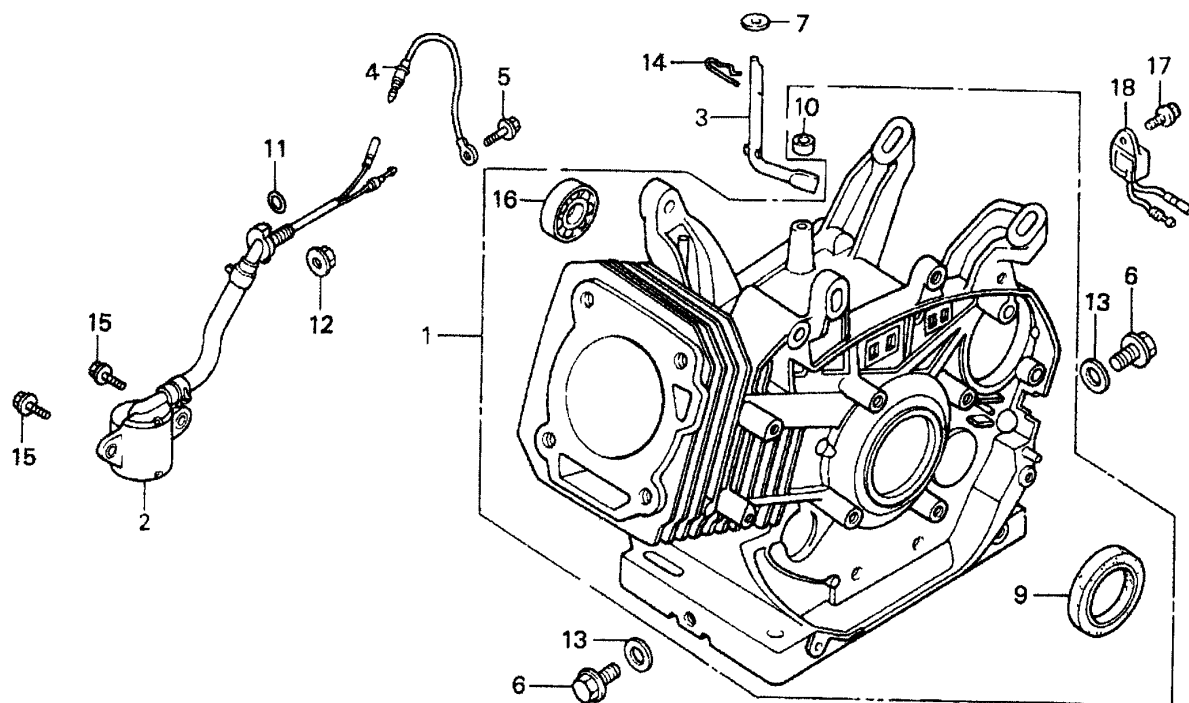
## HONDA GX340K1PKT2/GX340U1PKT2 — CRANKSHAFT ASSY.

<u>NO.</u>	<u>PART NO.</u>	<u>PART NAME</u>	<u>QTY.</u>	<u>REMARKS</u>
5♦	13310ZE3651	CRANKSHAFT P-TYPE	1	
5◇	13310ZE3652	CRANKSHAFT P-TYPE	1	
8	13351ZE3010	WEIGHT, BALANCER	1	
13	961006207000	BEARING, RADIAL BALL 6207	1	

### NOTICE

- ♦ GX340K1PKT2: Model QP305SLT S/N 305SLT-0200 AND BELOW
- ◇ GX340U1PKT2: Model QP305SLT S/N 305SLT-0201 AND ABOVE.

# HONDA GX340K1PKT2/GX340U1PKT2 — CYLINDER BARREL ASSY.



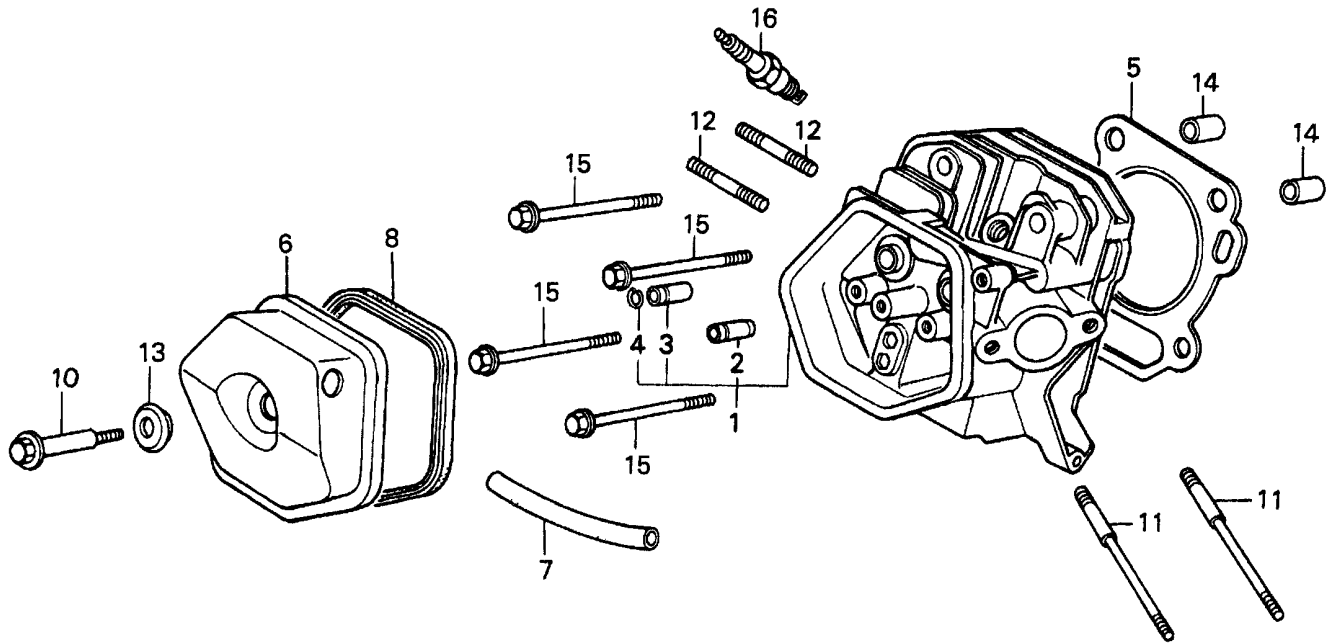
## HONDA GX340K1PKT2/GX340U1PKT2 — CYLINDER BARREL ASSY.

NO.	PART NO.	PART NAME	QTY.	REMARKS
1◆	12000ZE3816	CYLINDER ASSEMBLY .....	1.....	INCLUDES ITEMS W/ *
1◇	12000ZE3416	CYLINDER ASSEMBLY .....	1.....	INCLUDES ITEMS W/ #
2	15510ZE2043	SWITCH ASSEMBLY, OIL LEVEL	1	
3	16541ZE3010	SHAFT, GOVERNOR ARM	1	
4	32197ZE2003	SUB- HARNESS	1	
5	90013883000	BOLT,FLANGE 6X12 (CT200)	1	
6◆	90131896650	BOLT, DRAIN PLUG	2	
6◇	90131883000	BOLT, DRAIN PLUG 12X15	2	
7	90446KE1000	WASHER 8.2X17X0.8	1	
9*#	91201ZE3004	OIL SEAL 35X52X8	1	
10◆*	91201ZE9003	OIL SEAL 8X14X5	1	
10◇#	91203952771	OIL SEAL 8X14X5	1	
11◆	91353671003	O- RING 13.5X1.5	1	
11◇	91353671004	O- RING 14MM, NOK	1	
12	9405010000	NUT, FLANGE 10MM	1	
13	9410912000	WASHER, DRAIN PLUG 12MM	2	
14	9425110000	PIN, LOCK 10MM	1	
15	957010601200	BOLT, FLANGE 6X12	2	
16*#	961006202000	BEARING, RADIAL BALL 6202	1	
17	90013883000	BOLT, FLANGE 6X12 (CT200)	1	
18	34150ZH7003	ALERT UNIT, OIL	1	

### NOTICE

- ◆ GX340K1PKT2: Model QP305SLT S/N 305SLT-0200 AND BELOW
- ◇ GX340U1PKT2: Model QP305SLT S/N 305SLT-0201 AND ABOVE.

# HONDA GX340K1PKT2/GX340U1PKT2 — CYLINDER HEAD ASSY.





## HONDA GX340K1PKT2/GX340U1PKT2 — CYLINDER HEAD ASSY.

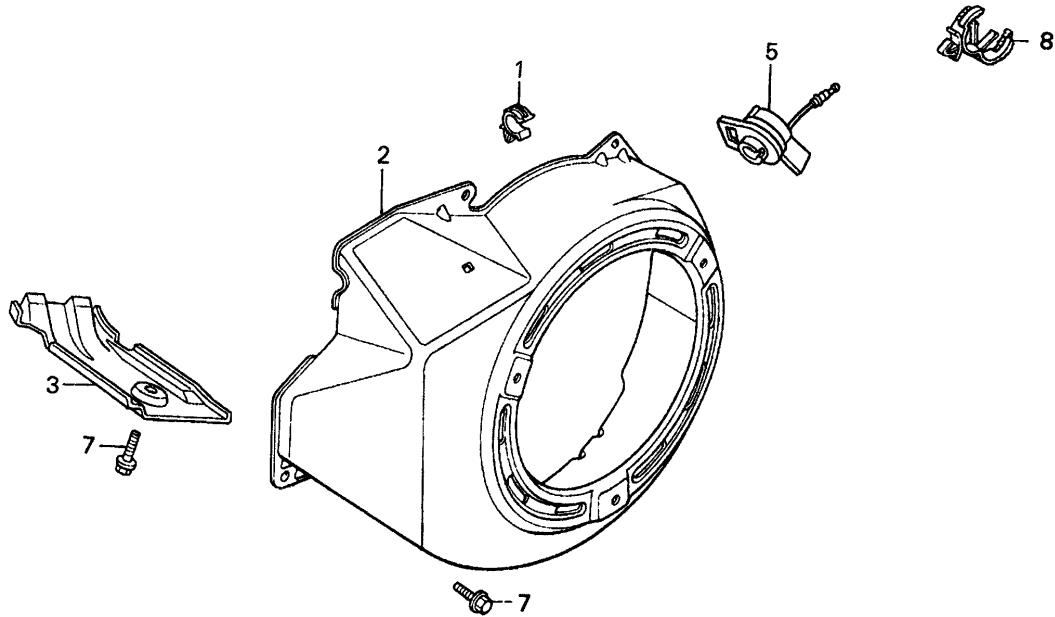
NO.	PART NO.	PART NAME	QTY.	REMARKS
1◆	12200ZF6W00	CYLINDER HEAD	1	
1◆	12200ZF6W01	CYLINDER HEAD	1	
1◇	12200ZF6406	CYLINDER HEAD	1	
2	12204ZE2306	GUIDE, EX. VALVE OS (OPTIONAL)	1	
3	12205ZE2305	GUIDE, EX. VALVE OS (OPTIONAL)	1	
4	12216ZE2300	CLIP, VALVE GUIDE	1	
5	12251ZE3W00	GASKET, CYLINDER HEAD	1	
6	12310ZE2020	COVER, HEAD	1	
7◆	12315ZE3840	TUBE, BREATHER	1	
7◇	950051110530	TUBE, BREATHER 11X105.....	1	REPLACES 950051100130M
8	12391ZE2020	GASKET, CYLINDER HEAD COVER	1	
10	90014ZE2000	BOLT, HEAD COVER	1	
11	90042ZE8000	BOLT, STUD 8X131.5	2	
12	92900080320E	BOLT 2, STUD 8X32	2	
13	90441ZE2010	WASHER, HEAD COVER	1	
14	9430112200	PIN A, DOWEL 12X20	1	
15◆	957011008000	BOLT, FLANGE 10X80	4	
15◇	957251008000	BOLT, FLANGE 10X80	4	
16	9807955846	SPARK PLUG, BPR5ES (NGK), OPT.	1	
16	9807955855	SPARK PLUG , W16EPR- U (DENSO), OPTIONAL	1	
16	9807956846	SPARK PLUG, BPR6ES (NGK)	1	
16	9807956855	SPARK PLUG, W20EPR- U (DENSO)	1	

### NOTICE

- ◆ GX340K1PKT2: Model QP305SLT S/N 305SLT-0200 AND BELOW
- ◇ GX340U1PKT2: Model QP305SLT S/N 305SLT-0201 AND ABOVE.

# HONDA GX340K1PKT2/GX340U1PKT2 — FAN COVER ASSY.

---



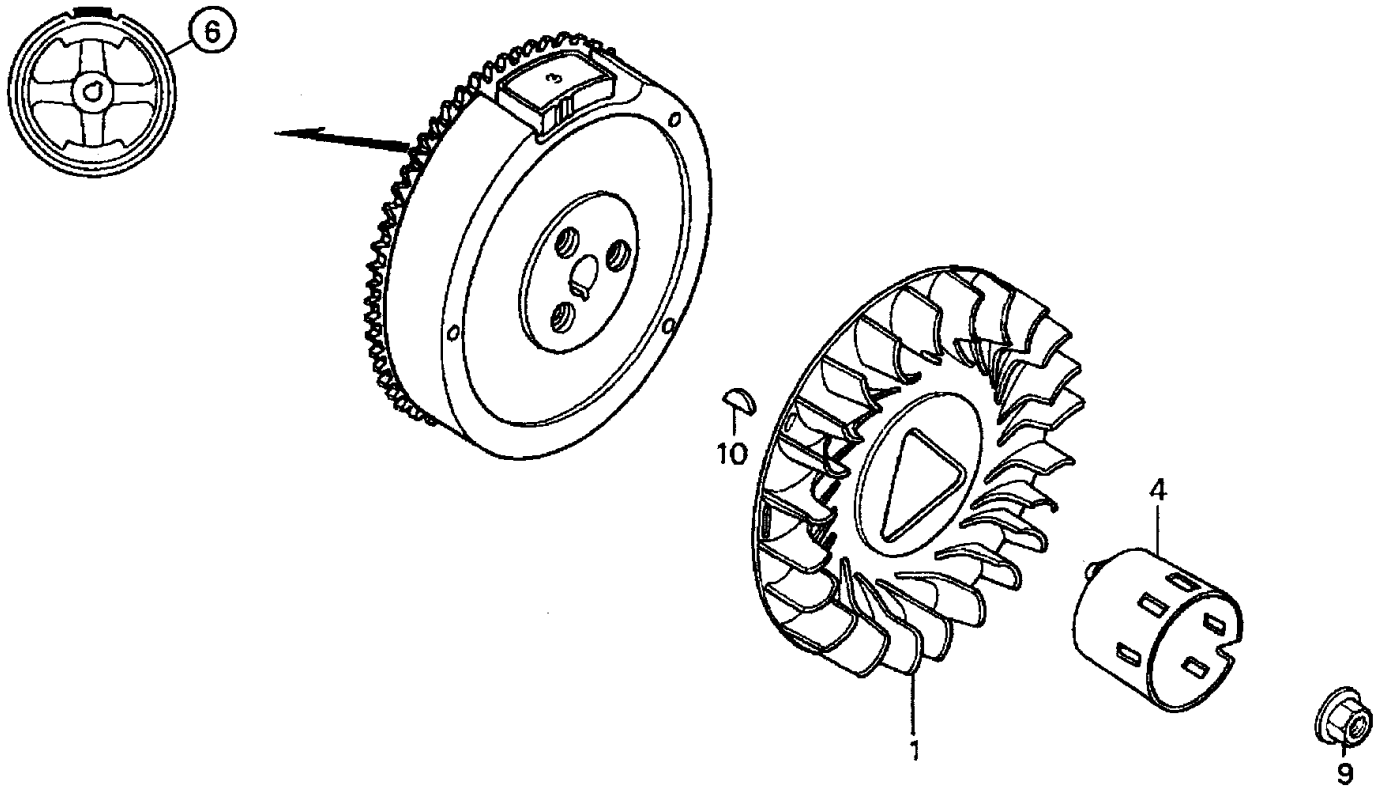
## HONDA GX340K1PKT2/GX340U1PKT2 — FAN COVER ASSY.

<u>NO.</u>	<u>PART NO.</u>	<u>PART NAME</u>	<u>QTY.</u>	<u>REMARKS</u>
1	16731ZE2003	CLIP, TUBE	1	
2◆	19610ZE3010ZA	COVER, FAN *R8* (BRIGHT RED)	1	
2◇	19610ZE3010ZB	COVER, FAN *NH1*	1	
2◇	19610ZE3010ZL	COVER, FAN *R280*	1	
3	19631ZE3W00	SHROUD	1	
5◆	36100ZH7003	SWITCH ASSEMBLY, ENGINE STOP	1	
5◇	36100ZF6P81	SWITCH ASSEMBLY, ENGINE STOP	1	
7	90013883000	BOLT, FLANGE 6X12 (CT200)	6	
8◆	90684ZA0601	CLIP, WIRE HARNESS	1	

### NOTICE

- ◆ GX340K1PKT2: Model QP305SLT S/N 305SLT-0200 AND BELOW
- ◇ GX340U1PKT2: Model QP305SLT S/N 305SLT-0201 AND ABOVE.

# HONDA GX340K1PKT2/GX340U1PKT2 — FLYWHEEL ASSY.

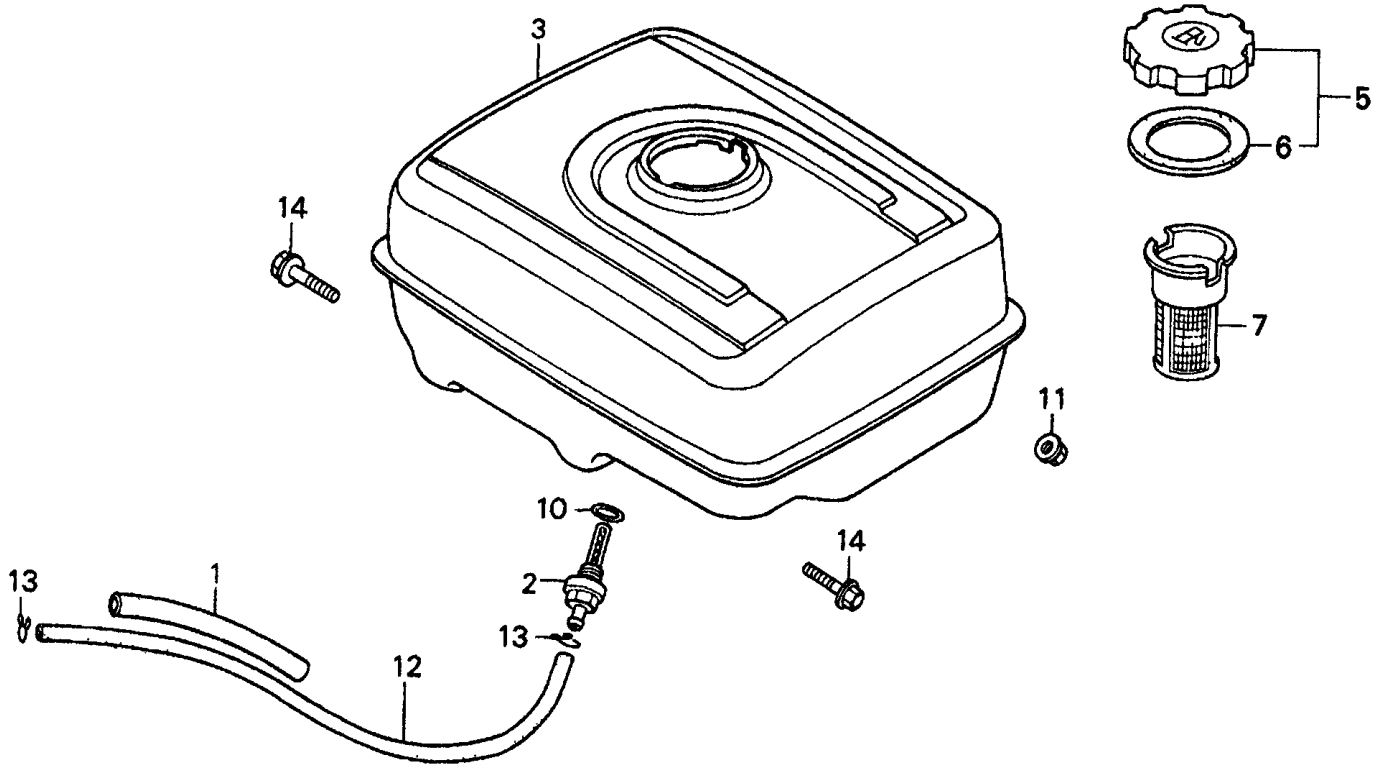


## HONDA GX340K1PKT2/GX340U1PKT2 — FLYWHEEL ASSY.

---

<u>NO.</u>	<u>PART NO.</u>	<u>PART NAME</u>	<u>QTY.</u>	<u>REMARKS</u>
1	19511ZE3000	FAN, COOLING	1	
4	28451ZE3W01	PULLEY, STARTER	1	
6	31100ZE3701	FLYWHEEL	1	
9	90201ZE3V00	NUT, SPECIAL 16MM (1)	1	
10	90741ZE2000	KEY, SPECIAL WOODRUFF 25X18	1	

# HONDA GX340K1PKT2/GX340U1PKT2 — FUEL TANK ASSY.



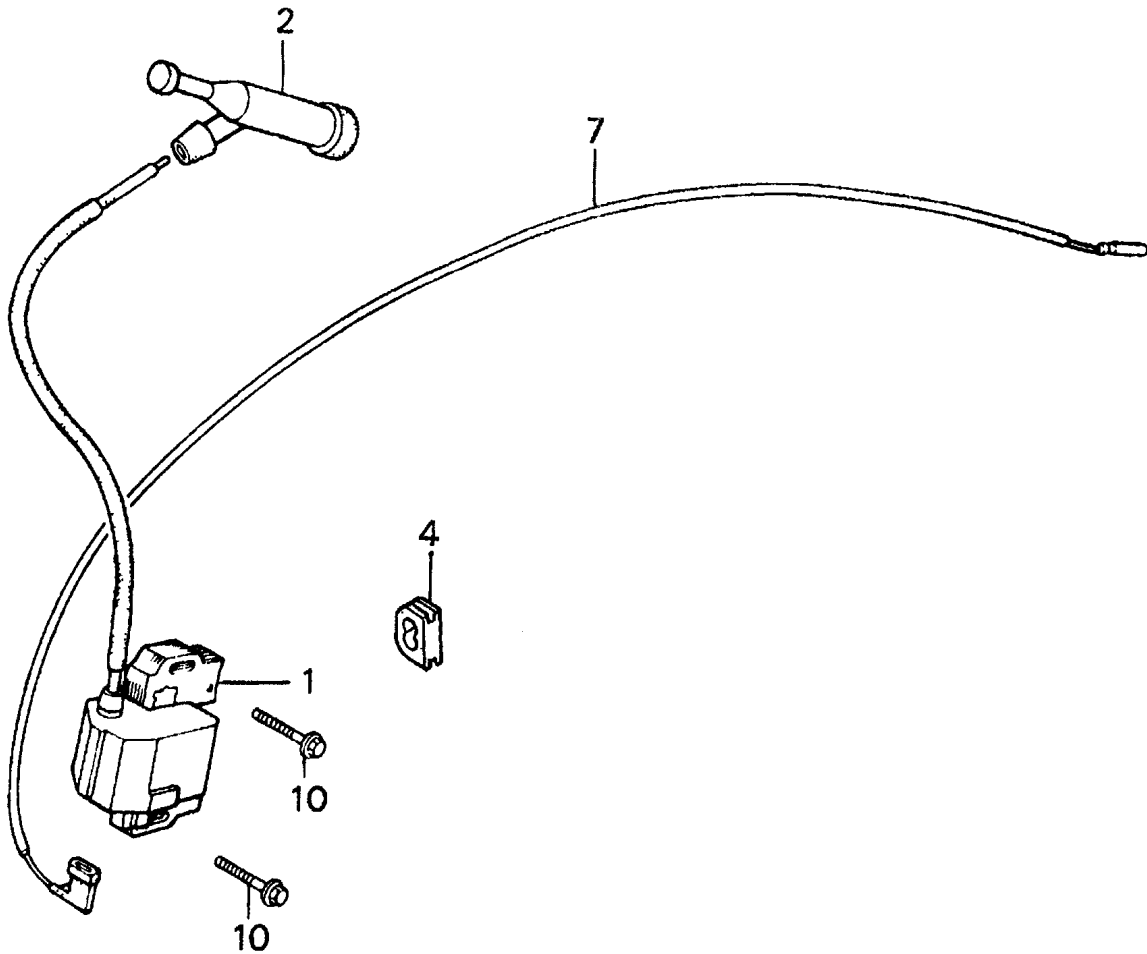
# HONDA GX340K1PKT2/GX340U1PKT2 — FUEL TANK ASSY.

NO.	PART NO.	PART NAME	QTY.	REMARKS
1	16854ZH8000	RUBBER, SUPPORTER 107MM	1	
2	16955ZE1000	JOINT, FUEL TANK	1	
3◆	17510ZE3020ZA	TANK, FUEL (BLACK)	1	
3◇	17510ZE30800ZA	TANK, FUEL *NH1*	1	
3◇	17510ZE3800ZC	TANK, FUEL *NH31*	1	
5◆	17620ZH7023	CAP, FUEL FILLER	1	
5◇	17620Z0T305	CAP, FUEL FILLER CHROME PLATED	1	
6◆	17631ZH7003	GASKET, FUEL FILLER CAP	1	
6◇	17631Z0T812	GASKET, FUEL FILLER CAP 39X62X3	1	
7	17672ZE2W01	FILTER, FUEL	1	
10◆	91353671003	O- RING 13.5X1.5 (ARA)	1	
10◇	91353671004	O- RING 14MM NOK	1	
11	9405008000	NUT, FLANGE 8MM	2	
12◆	950014500360M	BULK HOSE, FUEL (4.5X3000) (4.5X235)	1	
12◇	950014523540	BULK HOSE, FUEL 4.5X235.....	1.....	REPL.950014500160M S/N 1030950 AND BELOW
12◇	91424Z5L801	BULK HOSE, FUEL 4.5X235 FKM .....	1.....	S/N 1030951 AND ABOVE
13◆	9500202080	CLIP, TUBE B8	2	
13◇	9500202080	CLIP, TUBE B8.....	2.....	S/N 1030950 AND BELOW
13◇	950024080008	CLAMP, TUBE D8 .....	2.....	S/N 1030951 AND ABOVE
14	957010802500	BOLT, FLANGE 8X25	2	

## NOTICE

- ◆ GX340K1PKT2: Model QP305SLT S/N 305SLT-0200 AND BELOW
- ◇ GX340U1PKT2: Model QP305SLT S/N 305SLT-0201 AND ABOVE.

# HONDA GX340K1PKT2/GX340U1PKT2 — IGNITION COIL ASSY.





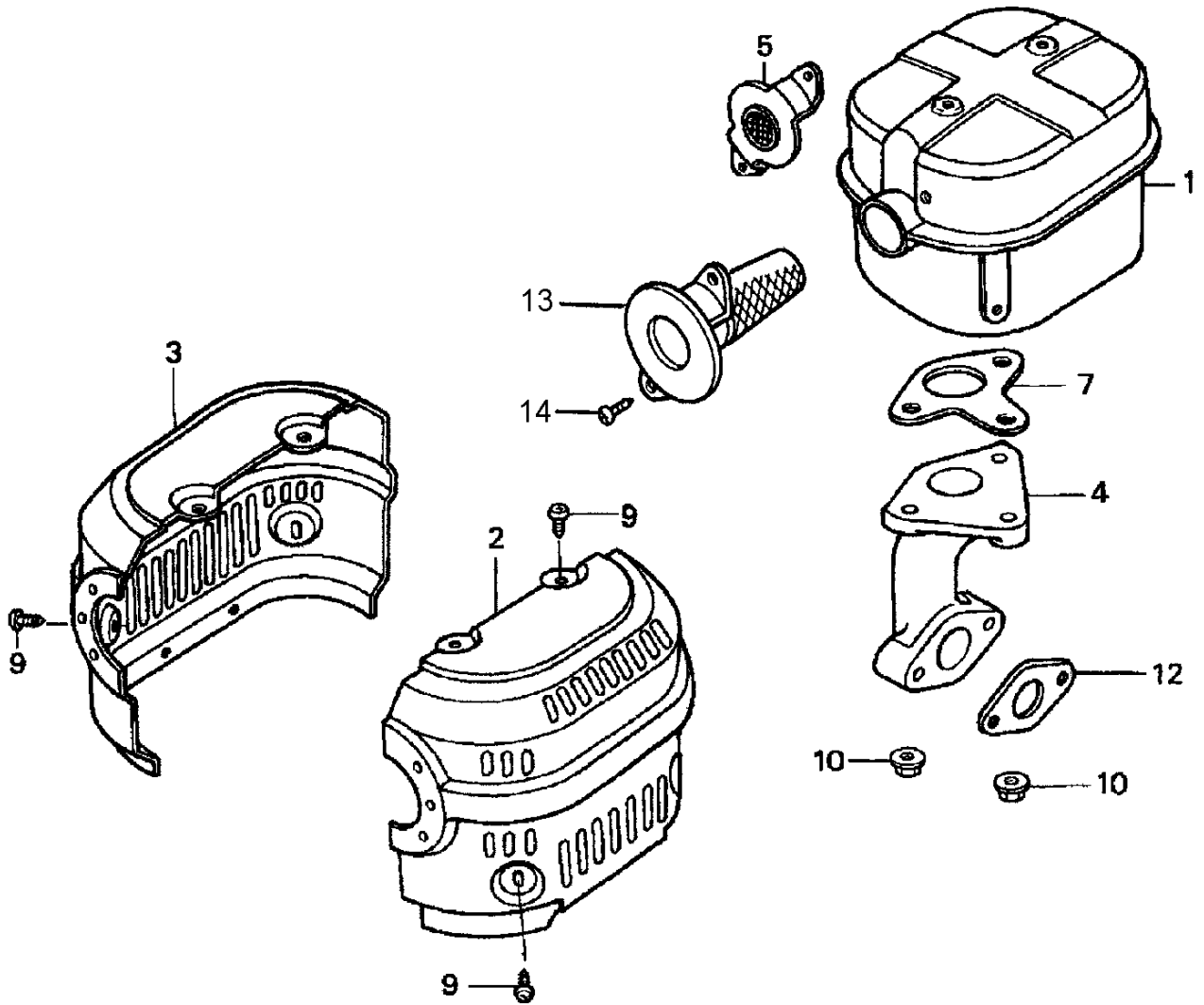
## HONDA GX340K1PKT2/GX340U1PKT2 — IGNITION COIL ASSY.

<u>NO.</u>	<u>PART NO.</u>	<u>PART NAME</u>	<u>QTY.</u>	<u>REMARKS</u>
1◆	30500ZE2023	COIL ASSEMBLY, IGNITION	1	
1◇	30500ZF6W02	COIL ASSEMBLY, IGNITION	1	
2	30700ZE1013	CAP ASSEMBLY, NOISE SUPPRESSOR	1	
4	31512ZE2000	GROMMET, WIRE	1	
7	36101ZE2701	WIRE, STOP SWITCH 430MM	1	
10	90015883000	BOLT, FLANGE 6X28	2	
11◇	90684ZA0601	CLIP, HARNESS	1	

### NOTICE

- ◆ GX340K1PKT2: Model QP305SLT S/N 305SLT-0200 AND BELOW
- ◇ GX340U1PKT2: Model QP305SLT S/N 305SLT-0201 AND ABOVE.

# HONDA GX340K1PKT2/GX340U1PKT2 — MUFFLER ASSY.



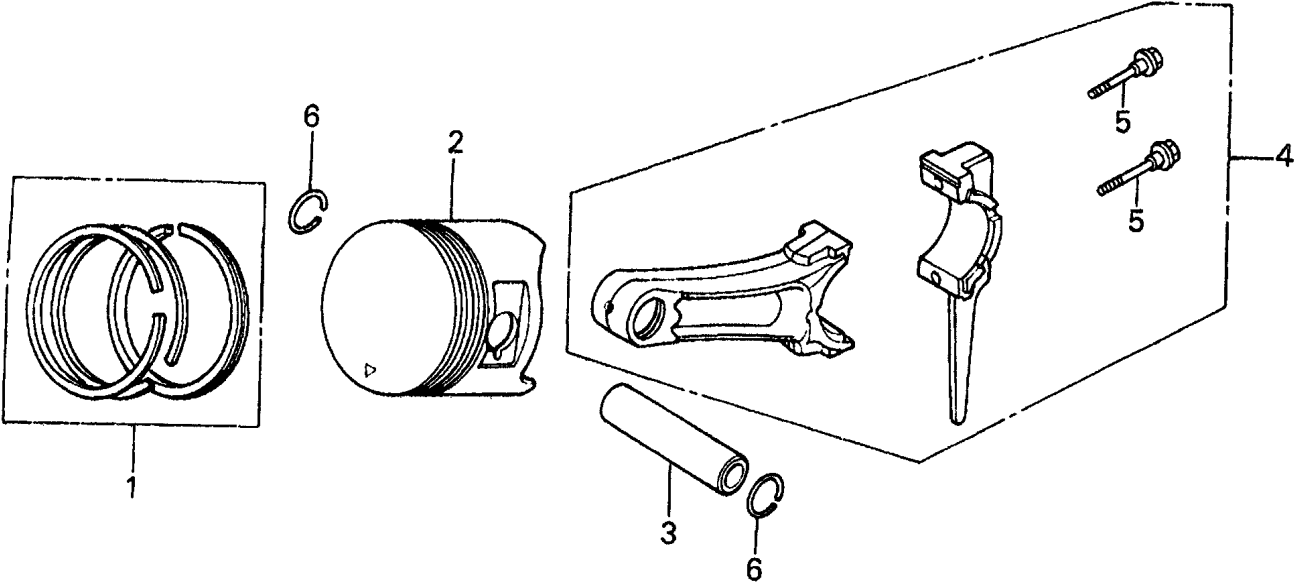
## HONDA GX340K1PKT2/GX340U1PKT2 — MUFFLER ASSY.

<u>NO.</u>	<u>PART NO.</u>	<u>PART NAME</u>	<u>QTY.</u>	<u>REMARKS</u>
1	18310ZE3003	MUFFLER	1	
2	18320ZE3G10	PROTECTOR, R. MUFFLER	1	
3	18325ZE3G10	PROTECTOR, L. MUFFLER	1	
4	18330ZE2000	PIPE, EX.	1	
5	18336ZE3000	FLANGE, BAFFLE	1	
7	18381ZE2800	GASKET, MUFFLER	1	
9	90050ZE1000	SCREW, TAPPING 5X8	8	
10	9405008000	NUT, FLANGE 8MM	3	
12	18333ZE3800	GASKET, EX. PIPE	1	
13◇	18355ZE3010	ARRESTER, SPARK	1	
14◇	9405008000	NUT FLANGE, 8MM	2	

### NOTICE

- ◆ GX340K1PKT2: Model QP305SLT S/N 305SLT-0200 AND BELOW
- ◇ GX340U1PKT2: Model QP305SLT S/N 305SLT-0201 AND ABOVE.

# HONDA GX340K1PKT2/GX340U1PKT2 — PISTON ASSY.



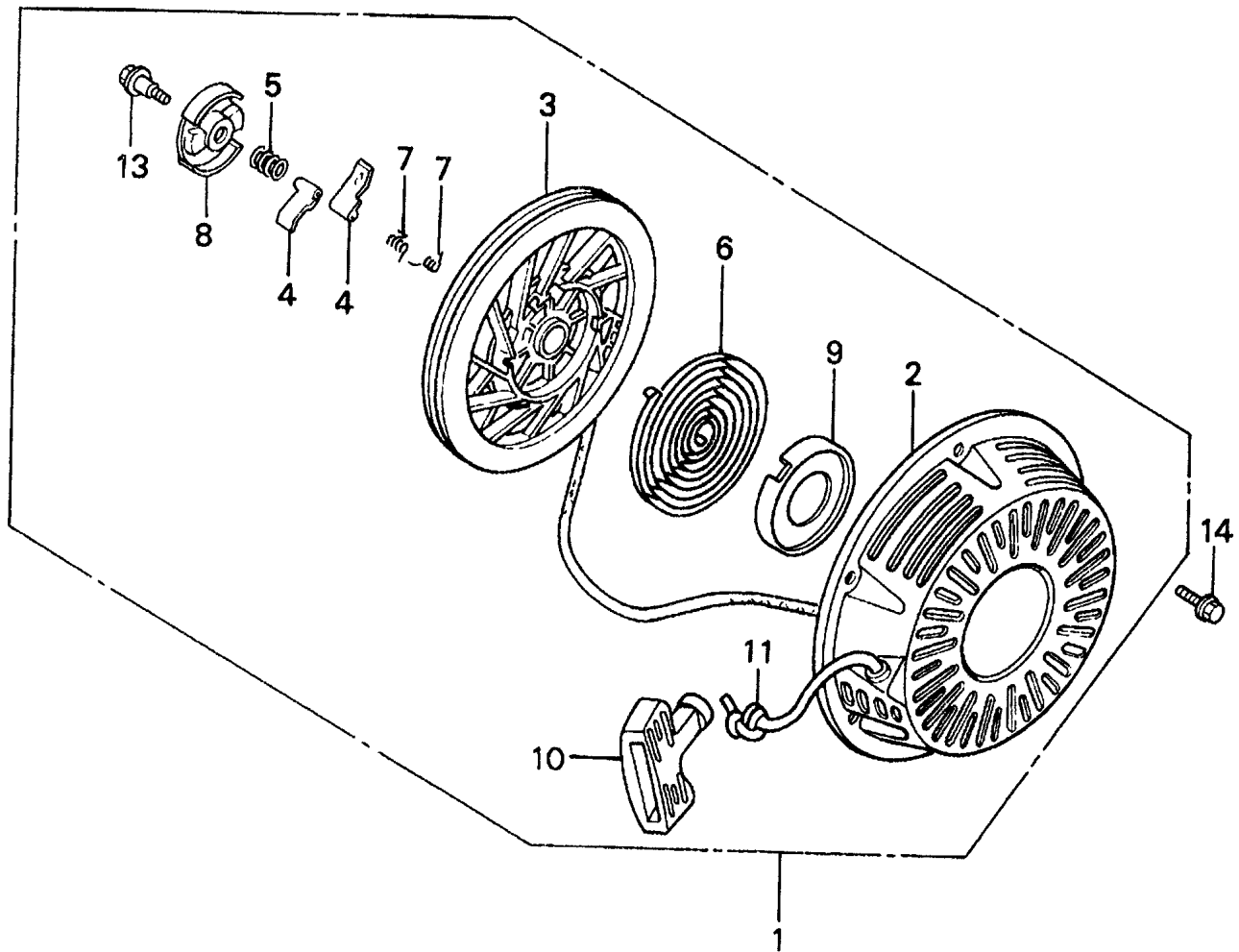
## HONDA GX340K1PKT2/GX340U1PKT2 — PISTON ASSY.

NO.	PART NO.	PART NAME	QTY.	REMARKS
1	13010ZE3003	RING SET, PISTON- STANDARD	1	
1◇	13010ZE3005	RING SET, PISTON- STANDARD	1	
1	13011ZE3003	RING SET, PISTON- OS 0.25 (OPTIONAL)	1	
1◇	13011ZE3005	RING SET, PISTON- OS 0.25 (OPTIONAL)	1	
1	13012ZE3003	RING SET, PISTON- OS 0.50 (OPTIONAL)	1	
1◇	13012ZE3005	RING SET, PISTON- OS 0.50 (OPTIONAL)	1	
1	13013ZE3003	RING SET, PISTON- 0.75 (OPTIONAL)	1	
1◇	13013ZE3005	RING SET, PISTON- 0.75 (OPTIONAL)	1	
2	13101ZE3W00	PISTON- STANDARD	1	
2	13102ZE3W00	PISTON- OS 0.25 (OPTIONAL)	1	
2	13103ZE3W00	PISTON- OS 0.50 (OPTIONAL)	1	
2	13104ZE3W00	PISTON- 0.75 (OPTIONAL)	1	
3	13111ZF6000	PIN, PISTON	1	
4◆	13200ZE3010	ROD ASSEMBLY, CONNECTING (STD.) .....	1	INCLUDES ITEM W/ *
4◇	13200ZE3020	ROD ASSEMBLY, CONNECTING (STD.) .....	1	INCLUDES ITEM W/ *
4	13200ZE3315	ROD ASSEMBLY, CONNECTING- US 0.25 (OPT.) ..	1	INCLUDES ITEM W/ *
5*	90001ZE8000	BOLT, CONNECTING ROD	2	
6	90601ZE3000	CLIP, PISTON PIN 20MM	2	

### NOTICE

- ◆ GX340K1PKT2: Model QP305SLT S/N 305SLT-0200 AND BELOW
- ◇ GX340U1PKT2: Model QP305SLT S/N 305SLT-0201 AND ABOVE.

# HONDA GX340K1PKT2/GX340U1PKT2 — RECOIL STARTER ASSY.



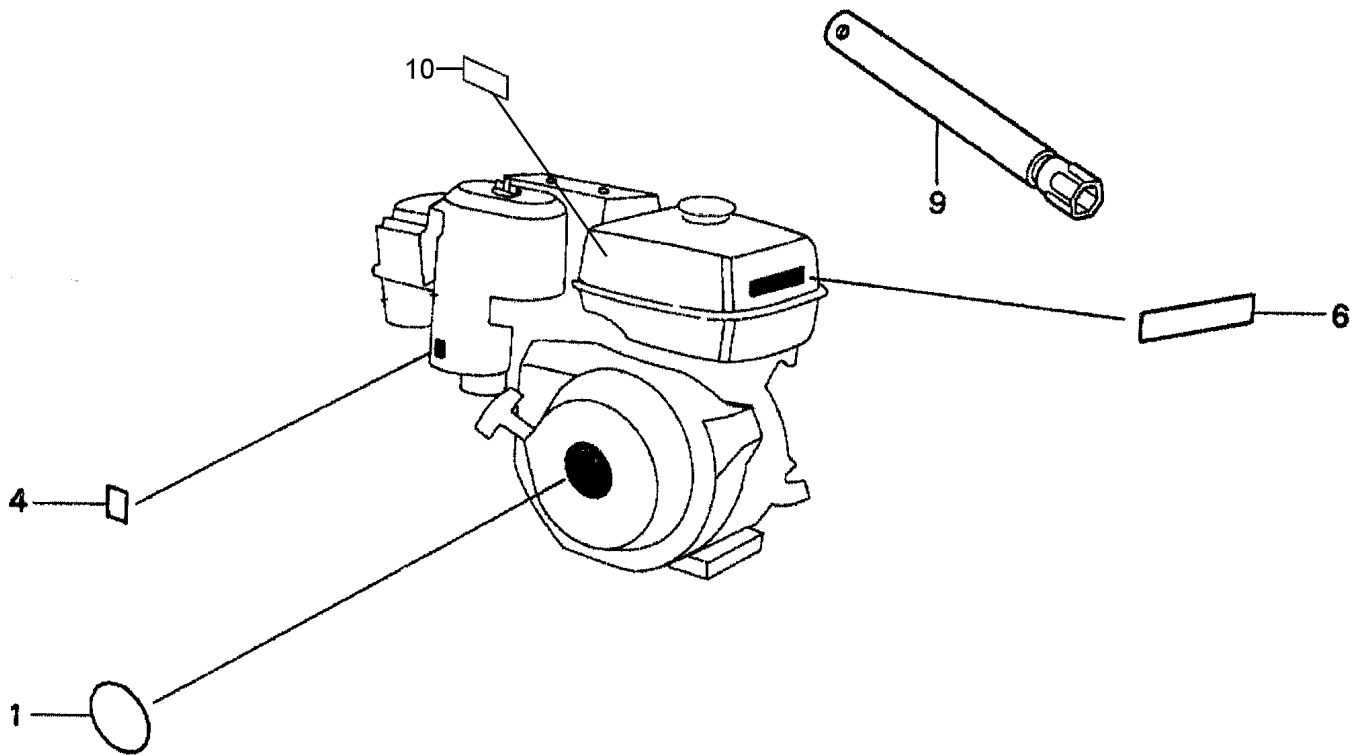
## HONDA GX340K1PKT2/GX340U1PKT2 — RECOIL STARTER ASSY.

NO.	PART NO.	PART NAME	QTY.	REMARKS
1◆	28400ZE3W01ZA	STARTER ASSY., RECOIL *R8* BRIGHT RED..1.....	1	INCLUDES ITEMS W/ *
1◇	28400ZE3W01ZB	STARTER ASSY., RECOIL *NH1* BLACK.....1.....	1	INCLUDES ITEMS W/ #
1◇	28400ZE3W01ZP	STARTER ASSY., RECOIL *R280* .....1.....	1	INCLUDES ITEMS W/ \$
2◆*	28410ZE3W01ZA	CASE, RECOIL STARTER *R8* BRIGHT RED	1	
2◇#	28410ZE3W01ZB	CASE, RECOIL STARTER *NH1* BLACK	1	
2◇\$	28410ZE3W01ZP	CASE, RECOIL SARTER *R280*	1	
3*#\$	28421ZE3W01	PULLEY, RECOIL STARTER	1	
4*#\$	28422ZE2W01	RATCHET, STARTER	2	
5*#\$	28441ZE2W01	SPRING, FRICTION	1	
6*#\$	28442ZE2W01	SPRING, STARTER RETURN	1	
7*#\$	28443ZE2W01	SPRING, RATCHET	2	
8*#\$	28444ZE2W01	RETAINER, SPRING	1	
9*#\$	28445ZE2W01	HOLDER, SPRING	1	
10*#\$	28461ZE2W02	GRIP, STARTER	1	
11*#\$	28462ZE3W01	ROPE, RECOIL STARTER	1	
13*#\$	90004ZE2W01	SCREW, CENTER	1	
14◆	957010600800	BOLT, FLANGE 6X8	3	
14◇	90008ZE2003	BOLT, FLANGE 6X10	3	

### NOTICE

- ◆ GX340K1PKT2: Model QP305SLT S/N 305SLT-0200 AND BELOW
- ◇ GX340U1PKT2: Model QP305SLT S/N 305SLT-0201 AND ABOVE.

# HONDA GX340K1PKT2/GX340U1PKT2 — LABELS ASSY.





## HONDA GX340K1PKT2/GX340U1PKT2 — LABELS ASSY.

<u>NO.</u>	<u>PART NO.</u>	<u>PART NAME</u>	<u>QTY.</u>	<u>REMARKS</u>
1	87521ZE3W01	EMBLEM	1	
4◆	87528ZE2810	MARK, CHOKE (EXTERNAL)	1	
4◇	87528ZH7000	MARK, CHOKE (GRAY)	1	
6◆	87532ZH8810	MARK, OIL ALERT (E)	1	
6◇	87532ZH7000	MARK, OIL ALERT (E)	1	
9	89218ZE1000	WRENCH, SPARK PLUG	1	
10◇	87516ZH7000	MARK, OPERATOR CAUTION	1	

### NOTICE

- ◆ GX340K1PKT2: Model QP305SLT S/N 305SLT-0200 AND BELOW
- ◇ GX340U1PKT2: Model QP305SLT S/N 305SLT-0201 AND ABOVE.

# TERMS AND CONDITIONS OF SALE — PARTS

## PAYMENT TERMS

Terms of payment for parts are net 30 days.

## FREIGHT POLICY

All parts orders will be shipped collect or prepaid with the charges added to the invoice. All shipments are F.O.B. point of origin. Multiquip's responsibility ceases when a signed manifest has been obtained from the carrier, and any claim for shortage or damage must be settled between the consignee and the carrier.

## MINIMUM ORDER

The minimum charge for orders from Multiquip is \$15.00 net. Customers will be asked for instructions regarding handling of orders not meeting this requirement.

## RETURNED GOODS POLICY

Return shipments will be accepted and credit will be allowed, subject to the following provisions:

1. A Returned Material Authorization must be approved by Multiquip prior to shipment.
2. To obtain a Return Material Authorization, a list must be provided to Multiquip Parts Sales that defines item numbers, quantities, and descriptions of the items to be returned.
  - a. The parts numbers and descriptions must match the current parts price list.
  - b. The list must be typed or computer generated.
  - c. The list must state the reason(s) for the return.
  - d. The list must reference the sales order(s) or invoice(s) under which the items were originally purchased.
  - e. The list must include the name and phone number of the person requesting the RMA.
3. A copy of the Return Material Authorization must accompany the return shipment.
4. Freight is at the sender's expense. All parts must be returned freight prepaid to Multiquip's designated receiving point.

5. Parts must be in new and resalable condition, in the original Multiquip package (if any), and with Multiquip part numbers clearly marked.
6. The following items are not returnable:
  - a. Obsolete parts. (If an item is in the price book and shows as being replaced by another item, it is obsolete.)
  - b. Any parts with a limited shelf life (such as gaskets, seals, "O" rings, and other rubber parts) that were purchased more than six months prior to the return date.
  - c. Any line item with an extended dealer net price of less than \$5.00.
  - d. Special order items.
  - e. Electrical components.
  - f. Paint, chemicals, and lubricants.
  - g. Decals and paper products.
  - h. Items purchased in kits.
7. The sender will be notified of any material received that is not acceptable.
8. Such material will be held for five working days from notification, pending instructions. If a reply is not received within five days, the material will be returned to the sender at his expense.
9. Credit on returned parts will be issued at dealer net price at time of the original purchase, less a 15% restocking charge.
10. In cases where an item is accepted, for which the original purchase document can not be determined, the price will be based on the list price that was effective twelve months prior to the RMA date.
11. Credit issued will be applied to future purchases only.

## PRICING AND REBATES

Prices are subject to change without prior notice. Price changes are effective on a specific date and all orders received on or after that date will be billed at the revised price. Rebates for price declines and added charges for price increases will not be made for stock on hand at the time of any price change.

Multiquip reserves the right to quote and sell direct to Government agencies, and to Original Equipment Manufacturer accounts who use our products as integral parts of their own products.

## SPECIAL EXPEDITING SERVICE

A \$35.00 surcharge will be added to the invoice for special handling including bus shipments, insured parcel post or in cases where Multiquip must personally deliver the parts to the carrier.

## LIMITATIONS OF SELLER'S LIABILITY

Multiquip shall not be liable hereunder for damages in excess of the purchase price of the item with respect to which damages are claimed, and in no event shall Multiquip be liable for loss of profit or good will or for any other special, consequential or incidental damages.

## LIMITATION OF WARRANTIES

No warranties, express or implied, are made in connection with the sale of parts or trade accessories nor as to any engine not manufactured by Multiquip. Such warranties made in connection with the sale of new, complete units are made exclusively by a statement of warranty packaged with such units, and Multiquip neither assumes nor authorizes any person to assume for it any other obligation or liability whatever in connection with the sale of its products. Apart from such written statement of warranty, there are no warranties, express, implied or statutory, which extend beyond the description of the products on the face hereof.

Effective: February 22, 2006



# OPERATION AND PARTS MANUAL

## HERE'S HOW TO GET HELP

PLEASE HAVE THE MODEL AND SERIAL  
NUMBER ON-HAND WHEN CALLING

### **UNITED STATES**

#### ***Multiquip Corporate Office***

18910 Wilmington Ave.      Tel. (800) 421-1244  
Carson, CA 90746      Fax (800) 537-3927  
Contact: mq@multiquip.com

#### ***Mayco Parts***

800-306-2926      Fax: 800-672-7877  
310-537-3700      Fax: 310-637-3284

#### ***Service Department***

800-421-1244      Fax: 310-537-4259  
310-537-3700

#### ***MQ Parts Department***

800-427-1244      Fax: 800-672-7877  
310-537-3700      Fax: 310-637-3284

#### ***Warranty Department***

800-421-1244, Ext. 279      Fax: 310-537-1173  
310-537-3700, Ext. 279

#### ***Technical Assistance***

800-478-1244      Fax: 310-631-5032

### **MEXICO**

#### ***MQ Cipsa***

Carr. Fed. Mexico-Puebla KM 126.5      Tel: (52) 222-225-9900  
Momoxpan, Cholula, Puebla 72760 Mexico      Fax: (52) 222-285-0420  
Contact: pmastretta@cipsa.com.mx

### **CANADA**

#### ***Multiquip***

4110 Industriel Boul.      Tel: (450) 625-2244  
Laval, Quebec, Canada H7L 6V3      Tel: (877) 963-4411  
Contact: jmartin@multiquip.com      Fax: (450) 625-8664

### **UNITED KINGDOM**

#### ***Multiquip (UK) Limited Head Office***

Unit 2, Northpoint Industrial Estate,      Tel: 0161 339 2223  
Global Lane,      Fax: 0161 339 3226  
Dukinfield, Cheshire SK16 4UJ  
Contact: sales@multiquip.co.uk

© COPYRIGHT 2010, MULTIQUIP INC.

Multiquip Inc and the MQ logo are registered trademarks of Multiquip Inc. and may not be used, reproduced, or altered without written permission. All other trademarks are the property of their respective owners and used with permission.

This manual MUST accompany the equipment at all times. This manual is considered a permanent part of the equipment and should remain with the unit if resold.

The information and specifications included in this publication were in effect at the time of approval for printing. Illustrations, descriptions, references and technical data contained in this manual are for guidance only and may not be considered as binding. Multiquip Inc. reserves the right to discontinue or change specifications, design or the information published in this publication at any time without notice and without incurring any obligations.

Your Local Dealer is:



## Free Manuals Download Website

<http://myh66.com>

<http://usermanuals.us>

<http://www.somanuals.com>

<http://www.4manuals.cc>

<http://www.manual-lib.com>

<http://www.404manual.com>

<http://www.luxmanual.com>

<http://aubethermostatmanual.com>

Golf course search by state

<http://golfingnear.com>

Email search by domain

<http://emailbydomain.com>

Auto manuals search

<http://auto.somanuals.com>

TV manuals search

<http://tv.somanuals.com>