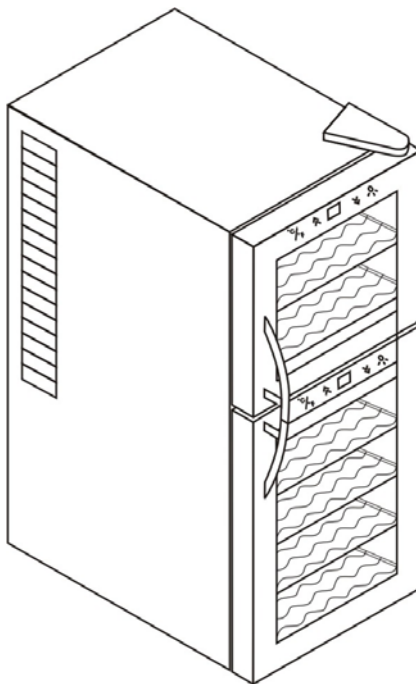




INSTRUCTION MANUAL

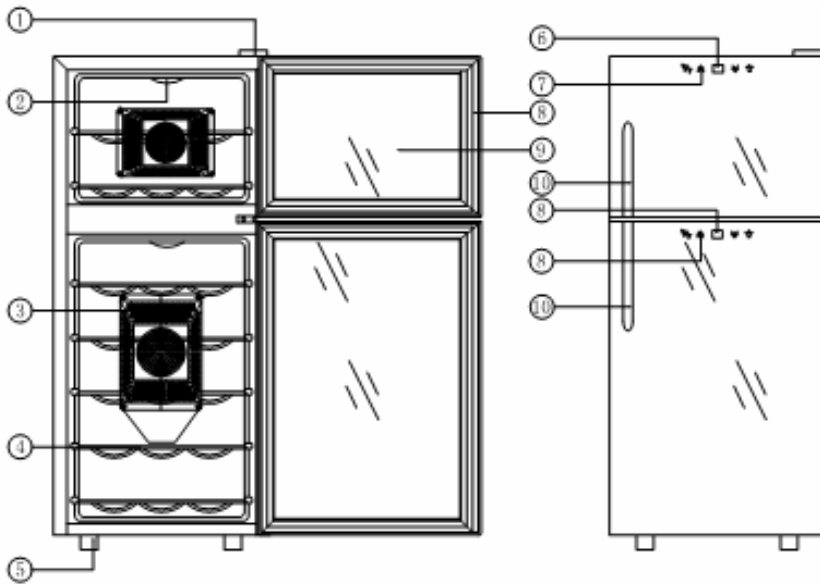
Thermoelectric Wine Cooler

MODEL: AW-210ED



Please carefully read and follow all safety rules and operating instructions.

Product Diagram



- | | | | |
|---------------|---------------------------|------------------------|------------|
| 1. HINGE | 2. LIGHT | 3. FAN MASK | 4. SHELVES |
| 5. FEET | 6. TEMPERATURE CONTROLLER | 7. TEMPERATURE DISPLAY | |
| 8. DOOR FRAME | 9. GLASS DOOR | 10. DOOR HANDLE | |

Important Safety Instructions

⚡ WARNING ⚡

To reduce the risk of fire, electrical shock, or injury when using this appliance, follow these basic precautions:

- Read all instructions before operating the wine cooler.
- **ATTENTION:** To prevent the risk of child entrapment, do not allow children to operate, play with, or crawl inside the unit.
- If the unit will not be used for an extended period of time, remove the door, and leave the shelves in place so that children cannot crawl inside. Also remove the door when disposing the unit.
- Never clean the appliance parts with flammable fluids, as the fumes can create a fire hazard or explosion.
- Do not store or use gasoline or any other flammable vapors and liquids in the vicinity of this or any other appliance, as the fumes can create a fire hazard or explosion.
- Do not store food in the wine cooler, as the interior temperature will not be low enough to prevent food spoilage.

Please Save These Instructions

Installation Instructions

Before operating your wine cooler for the first time, follow these steps:

- Remove the exterior and interior packaging.
- Check to make sure the following parts are included:
 - ✓ 7 slide-out shelves
 - ✓ 1 instruction manual
- Before connecting the unit to a power source, allow it stand upright for approximately 2 hours. This will reduce the possibility of any system malfunctions which may have occurred from handling during transportation.
- Clean the interior surface of the unit with lukewarm water and a soft cloth.
- Place the wine cooler on a leveled surface that will be strong enough to support the unit when it is fully loaded. To level your wine cooler, adjust the front feet located at the bottom of the unit.
- Install the wine cooler away from direct sunlight and heat sources such as stoves, heaters, or radiators, as direct sunlight may affect the unit's acrylic coating, and nearby heat sources can increase electrical consumption. Moreover, extreme cold or hot ambient temperatures may also prevent proper performance.
- **PLEASE NOTE:** This wine cooler is only designed for home use, and is not designed to be placed in a garage or basement.

Electrical Connection

To ensure safety and proper operation, please follow the guidelines listed below:

Warning:

Improper use of the grounded plug can result in electrical shock. If the power cord appears to be damaged, have it replaced by an authorized service center.

- This wine cooler should be properly grounded for your safety, and in order to minimize the possibility of electrical shock, the power cord of this unit is equipped with a 3-pin plug which fits with 3-pin wall outlets.
- Never cut or remove the ground wire from the supplied power cord.
- The use of extension cords is not recommended.
- This unit requires a standard 110V-60HZ electrical outlet with a 3-pin plug. The cord should be secured behind the wine cooler. Also, to prevent accidental injury, do not expose or dangle the cord.

Operating Your Wine Cooler

It is recommended that the wine cooler be installed in an area where the ambient temperature is between 10-26° C (50- 80° F). If the ambient temperature is above or below the recommended ranges, the unit's performance may be affected, and extreme cold or hot conditions may cause the interior temperature to fluctuate. This will then prevent the optimal range of 10-16 ° C (50-60° F) from being reached. In addition, keep in mind that the temperature may fluctuate depending on whether the interior light is on or off, and whether the bottles are located on the upper, middle, or lower racks.

How to Use the Buttons on the Display Panel:

The desired temperature and light can be set by pressing the buttons on the display panel. The two buttons on the panel - “▲” and “▼” - adjust the temperature in increments of 1° C between 7-18° C/10-18° C (44-66° F/54-66° F). You can also turn the interior light on or off by pressing the “Light” button.

Care and Maintenance

Cleaning Your Wine Cooler

- Unplug the wine cooler and remove any bottles.
- Wash the inside of the unit with a warm water and baking soda solution consisting of approximately 2 tablespoons of baking soda to one quart of water.
- Pull out the water box at the bottom and rinse.
- To clean the outside of the unit, use a mild detergent and warm water.

Moving Your Wine Cooler

- Remove any bottles.
- Securely tape down all loose parts located inside the unit.
- Turn the leveling feet up to the base in order to avoid damage.
- Tape the door shut.
- Be sure the wine cooler stays in an upright position during transportation.

Troubleshooting

To troubleshoot your wine cooler, follow the suggestions below to address the most common problems before seeking assistance from a service center:

PROBLEM	POSSIBLE CAUSES
The wine cooler will not operate.	<ul style="list-style-type: none">• The unit may be plugged in using a different voltage. Also, the circuit breaker may be tripped or there is a blown fuse.
The wine cooler is not cold enough.	<ul style="list-style-type: none">• Check the temperature control settings, as the external environment may require a higher setting.• The door may be opened too frequently.• The door is not closed completely.• The door seal does not seal properly.• The wine cooler does not have sufficient clearance.
The light does not work.	<ul style="list-style-type: none">• Contact the dealer or an authorized service center.
The wine cooler vibrates while operating.	<ul style="list-style-type: none">• Make sure the unit is leveled.
The wine cooler produces a lot of noise.	<ul style="list-style-type: none">• The unit may not be leveled.• Check the fan.
The door will not close properly.	<ul style="list-style-type: none">• The unit is not leveled.• The doors are reversed and not properly installed.• The seal is weak.• The shelves are out of position.
The LED display does not work.	<ul style="list-style-type: none">• There may be a problem with the main control board.• There is a PCB problem.• There is a problem with the plug.
There is an LED display error.	<ul style="list-style-type: none">• The display may be weak.• The temperature point is off.
The buttons do not function.	<ul style="list-style-type: none">• The temperature control panel may be damaged.



Free Manuals Download Website

<http://myh66.com>

<http://usermanuals.us>

<http://www.somanuals.com>

<http://www.4manuals.cc>

<http://www.manual-lib.com>

<http://www.404manual.com>

<http://www.luxmanual.com>

<http://aubethermostatmanual.com>

Golf course search by state

<http://golfingnear.com>

Email search by domain

<http://emailbydomain.com>

Auto manuals search

<http://auto.somanuals.com>

TV manuals search

<http://tv.somanuals.com>