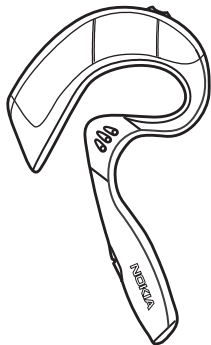


# User Guide for the Wireless Boom Headset (HS-4W)

---



9231046

Issue 1

## DECLARATION OF CONFORMITY

We, NOKIA CORPORATION declare under our sole responsibility that the product HS-4W is in conformity with the provisions of the following Council Directive: 1999/5/EC. A copy of the Declaration of Conformity can be found at [http://www.nokia.com/phones/declaration\\_of\\_conformity/](http://www.nokia.com/phones/declaration_of_conformity/).

# CE 0682

Copyright © 2005 Nokia. All rights reserved.

Reproduction, transfer, distribution or storage of part or all of the contents in this document in any form without the prior written permission of Nokia is prohibited.

Nokia and Nokia Connecting People are registered trademarks of Nokia Corporation. Other product and company names mentioned herein may be trademarks or tradenames of their respective owners.

Bluetooth is a registered trademark of Bluetooth SIG, Inc.

Nokia operates a policy of continuous development. Nokia reserves the right to make changes and improvements to any of the products described in this document without prior notice.

Under no circumstances shall Nokia be responsible for any loss of data or income or any special, incidental, consequential or indirect damages howsoever caused.

The contents of this document are provided "as is". Except as required by applicable law, no warranties of any kind, either express or implied, including, but not limited to, the implied warranties of merchantability and fitness for a particular purpose, are made in relation to the accuracy, reliability or contents of this document. Nokia reserves the right to revise this document or withdraw it at any time without prior notice.

The availability of particular products may vary by region. Please check with the Nokia dealer nearest to you.

In some countries there may be restrictions in using Bluetooth devices. Check with your local authorities.

9231046  
Issue 1

# Contents

---

<b>Introduction.....</b>	<b>4</b>	Call functions.....	15
Bluetooth wireless technology.....	4	Answering and ending a call .....	16
Bluetooth passcode.....	5	Automatic answer.....	16
<b>1. Getting started .....</b>	<b>6</b>	Rejecting a call .....	16
Overview .....	6	Redialling the last dialled	
Chargers and batteries.....	8	number .....	16
Charging the battery.....	9	Muting an ongoing call.....	16
When the battery charge falls		Voice dialling.....	17
low.....	10	Adjusting the earphone volume .....	17
Pairing the headset with		Switching the call between phone	
a compatible phone .....	10	and headset.....	17
Disconnecting the headset from		Using the headset with several	
the phone .....	11	paired phones .....	17
Reconnecting the paired headset		Resetting the headset .....	18
to the compatible phone .....	12	<b>3. Battery information .....</b>	<b>19</b>
Troubleshooting .....	12	Charging and Discharging.....	19
<b>2. Using the headset .....</b>	<b>14</b>	<b>Care and maintenance.....</b>	<b>21</b>
Switching the headset on or off ....	14		
Placing the headset over the ear.	15		

## Introduction

---

The Wireless Boom Headset HS-4W can be connected to a compatible phone that supports Bluetooth technology. This allows you freedom to make and receive calls while on the move or in the office.

Read this user guide carefully before using the headset. In addition to this Wireless Boom Headset HS-4W user guide, read also the phone's user guide, which provides important safety and maintenance information. Keep the headset out of reach of small children.

### ■ Bluetooth wireless technology

The Wireless Boom Headset HS-4W is specially designed for compatible Nokia phones that support Bluetooth technology. The headset can, however, be used with any compatible Bluetooth devices that support the compatible Handsfree or Headset profiles. (A profile is a set of Bluetooth commands that the phone uses to control the headset).

The Bluetooth technology makes it possible to connect compatible communication devices without using cables. A Bluetooth connection does not require that the phone and the headset be in line of sight, but both devices should be within 10

metres of each other. Connections can be subject to interference from obstructions, such as walls, or other electronic devices.

The Wireless Boom Headset HS-4W is compliant with and adopts the Bluetooth Specification 1.1. However, interoperability between the Wireless Boom Headset HS-4W and other Bluetooth-enabled products is not guaranteed because it depends on compatibility. For more information on the compatibility between the Wireless Boom Headset HS-4W and other Bluetooth-enabled products, please check with your dealer.

### ■ Bluetooth passcode

You need a Bluetooth passcode for pairing the headset with a compatible phone. The passcode is 0000.

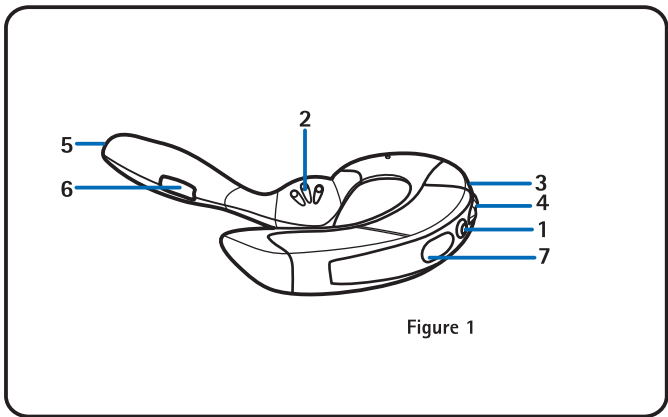
# 1. Getting started

---



**Note:** The use of wireless devices may be restricted in some situations. Observe any restrictions and obey all signs and instructions concerning use of wireless devices.

## ■ Overview



The headset contains the following parts, as shown in Figure 1.

- 1 - **Power key:** Switches the headset on and off, or mutes the ongoing call.
- 2 - **Speaker:** Relays the caller's voice.
- 3 - **Indicator light:** Displays the current status of the headset. The indicator light can be yellow, green or red. If the light is yellow, a Bluetooth connection is active. The green and red lights indicate the status of a call and charging.
- 4 - **Volume control key:** Increases/decreases the earphone volume during a call.
- 5 - **Microphone:** Picks up your voice.
- 6 - **Answer/end key:** Answers or ends the call. This key can also be used for voice dialling, redialling and switching an active call between the headset and the compatible phone.
- 7 - **Charger connector**

Before you can start using the headset, you must:

- Charge the battery
- Pair a compatible phone with the headset

## ■ Chargers and batteries

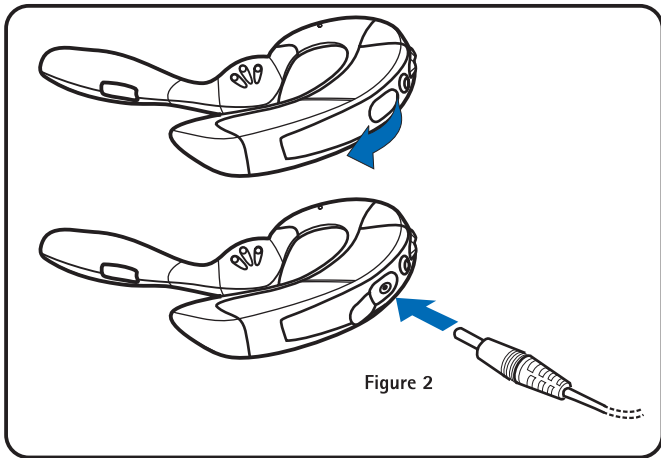


Figure 2

Check the model number of any charger before using it with this device. The Wireless Boom Headset HS-4W is intended for use with the following chargers: AC-1, ACP-7, ACP-8, ACP-9, ACP-12, and LCH-12.





**Warning!** Use only batteries and chargers approved by Nokia for use with this particular enhancement. The use of any other types will invalidate any approval or warranty applying to the enhancement, and may be dangerous.

For availability of approved batteries and chargers, please check with your local dealer.

When you disconnect the power cord of any enhancement, grasp and pull the plug, not the cord.

## ■ Charging the battery

1. Connect the charger cable to the headset as shown in Figure 2. Before connecting the charger cable to the headset, open the flap.
2. Connect the charger to an AC wall outlet. The red indicator light is displayed during charging. Charging the battery fully may take up to 2 hours 45 minutes depending on the charger.
3. When the battery is fully charged, the green indicator light is displayed. Disconnect the charger from the AC wall outlet and the headset.

## When the battery charge falls low

Fully charged batteries last up to 6 hours of talk-time and up to 160 hours of standby time. However, talk and standby times may vary when used with different handsets, other Bluetooth enabled-products, battery condition, usage settings, usage style and environments. (In standby mode the headset is switched on but no call is in progress.)

When the battery is running out of power, the headset beeps. Charge the battery as described above.

## ■ Pairing the headset with a compatible phone

1. Make sure that the compatible phone is switched on.
2. Switch on the headset. Make sure that the headset is charged.
3. Activate the Bluetooth connection from the phone. For more information, see the user guide of the phone.
4. Set the phone to search for Bluetooth devices as instructed in the user guide of the phone.
5. Select the Nokia HS-4W from the list.
6. Enter the generic passcode 0000 to associate ("pair") and connect the headset to the phone.

Once you have entered the passcode, the phone becomes the default phone for the headset, if the headset has not been previously paired with another phone. See also **Using the headset with several paired phones** on page 17.

The headset beeps once and an active Bluetooth connection is displayed by a blinking yellow indicator light. The headset should now appear in the phone menu where you can view the Bluetooth devices that are currently paired with the compatible phone.

7. Start using the headset (see page 14).

## Disconnecting the headset from the phone

The headset can be disconnected from the phone, if, for example, you want to use another Bluetooth device with it. To disconnect the headset:

- Switch off the headset. OR:
- Disconnect the headset in the phone's Bluetooth menu. OR:
- Move the headset more than 10 metres away from the phone.

The headset is also disconnected if the battery of the headset or the phone becomes flat.

Note that you do not need to delete the pairing with the headset to disconnect it. When you reconnect a paired headset, you are not asked for its passcode.

## Reconnecting the paired headset to the compatible phone

To reconnect the headset to the default phone or the last phone used, switch on the headset. Otherwise, make the connection in the phone's Bluetooth menu as instructed in the user guide of the phone.

Note that switching on the headset creates the connection automatically only if you have set the phone to accept Bluetooth connection requests without your permission. In Nokia phones this can be done by changing your paired devices settings in the Bluetooth menu.

### ■ Troubleshooting

If you cannot connect the headset to the compatible phone, proceed as follows:

- Make sure that the Bluetooth feature is activated on the compatible phone.
- Make sure that the headset is switched on and paired with the compatible phone.
- Make sure that you have disconnected the previous Bluetooth connection from the phone.
- Check that the headset is within 10 metres of the phone and that there are no obstructions, such as walls, or other electronic devices between the headset and the phone.

- The pairing information list of the headset may be full. The headset can store the information of up to 8 phones at a time. If the list becomes full, reset the headset to the original settings. See **Resetting the headset** on page 18.
- If the headset does not automatically reconnect to the default or last used phone, press and hold the **answer/end** key.

## 2. Using the headset

---



**Note:** The use of wireless devices may be restricted in some situations. Observe any restrictions and obey all signs and instructions concerning use of wireless devices.

### ■ Switching the headset on or off

To switch on the headset, press and hold the **power** key for 2 seconds. The headset beeps and the green indicator light starts blinking. The indicator light changes to yellow when the headset is connected to a compatible phone.

To switch off the headset, press and hold the **power** key for 2 seconds when no call is in progress. The headset beeps and the red indicator light is displayed briefly.

## Placing the headset over the ear

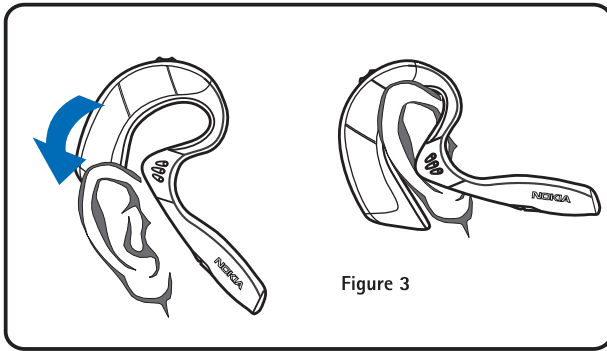


Figure 3

Slide the headset onto your ear as shown in Figure 3.

### ■ Call functions

When the headset is connected to the phone, make a call by using the phone in the normal way. Note that the call functions depend on the phone that you use.

## Answering and ending a call

When you receive a call, you hear a ringing tone through the headset.

Press the **answer/end** key to answer the call or to end the currently active call.

You can also answer or end the call using the phone.

## Automatic answer

If, on the phone, the Automatic answer function is set to on, the phone automatically answers the incoming call after one ring and forwards it to the headset.

## Rejecting a call

When you receive an incoming call that you do not want to answer, briefly press the **answer/end** key twice.

## Redialling the last dialled number

Press the **answer/end** key twice briefly when no call is in progress.

## Muting an ongoing call

You can mute or unmute the ongoing call by pressing the **power** key briefly.



## Voice dialling

When no call is in progress, press and hold the **answer/end** key until you hear a tone that indicates that you can say the desired name ("voice tag"). Say the voice tag. The phone plays the voice tag and dials the related phone number.

You can also activate voice dialling with the phone. For details on voice dialling, see the phone's user guide.

Note that this function is only available if the phone supports voice dialling.

### ■ Adjusting the earphone volume

Press the **volume control** key to increase or decrease the volume.

### ■ Switching the call between phone and headset

You can switch an active call between the headset and a compatible device. To switch the call from the headset to a phone and vice versa, press and hold the **answer/end** key or use the respective function in your phone.

### ■ Using the headset with several paired phones

Before the headset can be used, the compatible phone has to be paired with the headset. The headset can be paired with up to 8 compatible phones but connected to only one phone at a time.

The phone that was first paired with the headset is called the "default phone". The phone that was last used with the headset is called the "last used phone".

If the headset is switched on within 10 metres of several paired phones, the headset will try to connect to the "default phone" within a few seconds.

If the headset cannot connect to the "default phone" (for example, it is switched off or its user rejects the connection), the headset tries to connect to the "last used phone" within a few seconds. If the headset does not automatically connect to the default or last used phone, press and hold the **answer/end** key.

If the headset cannot connect to either of these phones, it remains discoverable for other phones, which is displayed by the blinking green indicator light.

If you want to use the headset with a paired phone that is not a "default phone" or "last used phone", make the connection in the phone's Bluetooth menu.

### ■ Resetting the headset

You can reset the headset to its original settings, for example, to change the default user of the headset. Resetting the headset clears all of its settings, including pairing information. To reset the headset:

Press and hold the **power** key and the upper end of the **volume control** key for 10 seconds. After the headset has been reset, it beeps twice and the red and the green indicator lights alternate for several seconds.

## 3. Battery information

---

Your headset is powered by a rechargeable battery. Take good care of the battery and follow the guidelines below.

### ■ Charging and Discharging

The battery can be charged and discharged hundreds of times but it will eventually wear out. When the operating time (talk time and standby time) is noticeably shorter than normal, contact your nearest qualified service facility.

Use only batteries approved by the manufacturer and recharge your battery only with the chargers approved by the manufacturer. Unplug the charger when not in use. Do not leave the battery connected to a charger for longer than a week, since overcharging may shorten its lifetime. If left unused a fully charged battery will discharge itself over time.

Temperature extremes can affect the ability of your battery to charge.

Use the battery only for its intended purpose.

Never use any charger or battery which is damaged.

## Battery information

Do not short-circuit the battery. Accidental short-circuiting can occur when a metallic object (coin, clip or pen) causes direct connection of the + and - terminals of the battery (metal strips on the battery), for example, when you carry a spare battery in your pocket or purse. Short-circuiting the terminals may damage the battery or the connecting object.

Leaving the battery in hot or cold places, such as in a closed car in summer or winter conditions, will reduce the capacity and lifetime of the battery. Always try to keep the battery between 15°C and 25°C (59° F and 77° F). A headset with a hot or cold battery may temporarily not work, even when the battery is fully charged. Batteries' performance is particularly limited in temperatures well below freezing.

Do not dispose of batteries in a fire!

Discard batteries according to local regulations (e.g. recycling). Do not dispose as household waste.

## Care and maintenance

---

Your headset is a product of superior design and craftsmanship and should be treated with care. The suggestions below will help you to fulfil any warranty obligations and to enjoy this product for many years.

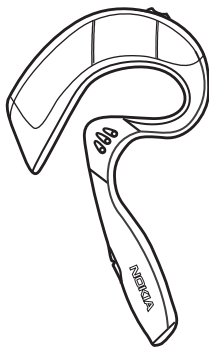
- Keep all accessories out of the reach of small children.
- Keep the headset dry. Precipitation, humidity and all types of liquids or moisture can contain minerals that will corrode electronic circuits.
- Do not use or store the headset in dusty, dirty areas. Its moving parts can be damaged.
- Do not store the headset in hot areas. High temperatures can shorten the life of electronic devices, damage batteries, and warp or melt certain plastics.
- Do not store the headset in cold areas. When it warms up (to its normal temperature), moisture can form inside, which may damage electronic circuit boards.
- Do not attempt to open the headset. Non-expert handling may damage it.
- Do not drop, knock or shake the headset. Rough handling can break internal circuit boards.
- Do not use harsh chemicals, cleaning solvents, or strong detergents to clean the headset.

## Care and maintenance

- Do not paint the headset. Paint can clog the moving parts and prevent proper operation. If the headset is not working properly, take it to your nearest qualified service facility. The personnel there will assist you and, if necessary, arrange for service.

# 悬挂式无线耳机 HS-4W 用户手册

---



第 1 版

## 声明

我们诺基亚公司郑重声明产品 HS-4W 符合以下指令：1999/5/EC。此声明的全文可经由 [http://www.nokia.com/phones/declaration\\_of\\_conformity/](http://www.nokia.com/phones/declaration_of_conformity/) 找到。

# CE0682

版权所有 © 2005 诺基亚。保留所有权利。

在未经诺基亚事先书面许可的情况下，严禁以任何形式复制、传递、分发和存储本文档中的任何内容。

诺基亚、Nokia 和 Nokia Connecting People 是诺基亚公司的注册商标。在本文档中提及的其他产品或公司的名称可能是其各自所有者的商标或商名。

Bluetooth 是 Bluetooth SIG, Inc. 的注册商标。

诺基亚遵循持续发展的策略。因此，诺基亚保留在不预先通知的情况下，对本文档中描述的任何产品进行修改和改进的权利。

在任何情况下，诺基亚均不对任何数据或收入方面的损失，或任何特殊、偶然、附带或间接损失承担责任，无论该损失由何种原因引起。

本文档的内容按“现状”提供。除非适用的法律另有规定，否则不对本文档的准确性、可靠性和内容做出任何类型的、明确或默许的保证，其中包括但不限于对适销性和对具体用途的适用性的保证。诺基亚保留在不预先通知的情况下随时修订或收回本文档的权利。

产品的供货情况可能因地区而异。请向邻近的诺基亚指定经销商查询。

在某些国家或地区内，使用蓝牙设备可能受到一些限制。请向当地主管部门咨询。

第 1 版



# 目录

简介 .....	4	佩戴耳机 .....	14
蓝牙无线技术 .....	4	通话功能 .....	14
蓝牙密码 .....	5	接听和挂断电话 .....	15
<b>1. 使用入门</b> .....	<b>6</b>	自动接听 .....	15
概述 .....	6	拒绝接听来电 .....	15
充电器和电池 .....	8	重拨最近拨打过的电话号码 .....	15
为电池充电 .....	9	使当前通话静音 .....	15
电池电量不足时 .....	9	声控拨号 .....	16
在耳机和兼容手机间创建		调整听筒音量 .....	16
配对 .....	10	在手机和耳机间切换通话 .....	16
断开耳机与手机的连接 .....	11	将耳机与多部配对手机一起	
将已配对的耳机重新连接		使用 .....	16
至兼容手机 .....	11	恢复耳机的原始设置 .....	17
疑难解答 .....	12	<b>3. 电池信息</b> .....	<b>18</b>
<b>2. 使用耳机</b> .....	<b>13</b>	充电和放电 .....	18
打开或关闭耳机 .....	13	<b>维护和保养</b> .....	<b>20</b>

## 简介

---

悬挂式无线耳机 HS-4W 可连接至支持蓝牙无线技术的兼容手机。这样，无论您外出旅行还是在办公室内，都可以随意拨打和接听电话。

使用悬挂式无线耳机 HS-4W 前，请仔细阅读本《用户手册》。除耳机的《用户手册》外，还应阅读手机的《用户手册》以了解重要的安全和维护信息。请将耳机放在小孩接触不到的地方。

### ■ 蓝牙无线技术

悬挂式无线耳机 HS-4W 是专为支持蓝牙无线技术的兼容诺基亚手机设计的。但是，此款耳机也可以与其他支持兼容的免提或耳机情景模式的兼容蓝牙设备配合使用。（此处，“情景模式”特指手机用以控制耳机的一组蓝牙命令）。

蓝牙无线技术支持以无线方式连接兼容的通信设备。蓝牙连接不要求保持手机和耳机相互正对，但二者之间的最大距离不应超过 10 米。蓝牙连接可能因一些障碍物而受到干扰，如墙壁或其他电子设备等。

悬挂式无线耳机 **HS-4W** 支持蓝牙无线技术并采用了第 1.1 版蓝牙规范。但是，能否在悬挂式无线耳机 **HS-4W** 和其他支持蓝牙无线技术的产品间进行互操作还依赖于二者的兼容性，因此不保证在任何情况下都能实现。请向您的经销商咨询悬挂式无线耳机 **HS-4W** 是否与其他支持蓝牙无线技术的产品兼容。

## ■ 蓝牙密码

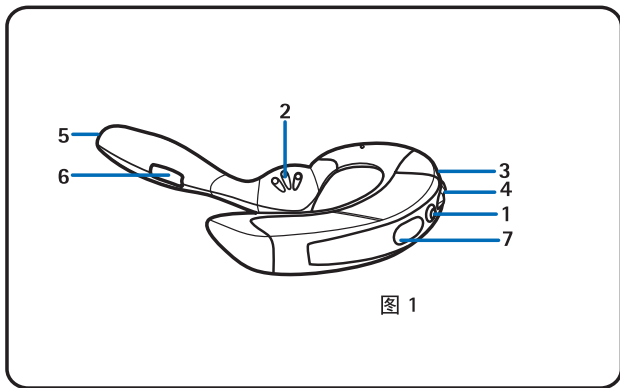
您需要输入蓝牙密码才能在耳机和兼容手机之间创建配对。蓝牙密码为 **0000**。

# 1. 使用入门



**注意：**在某些情况下，使用无线设备可能受到限制。请遵守有关的限制规定，并遵守所有关于无线设备使用条件的标志和文字指示。

## ■ 概述



如图 1 所示，悬挂式无线耳机 HS-4W 由以下部分组成。

- 1 – **电源键**：打开和关闭耳机，或使当前通话静音。
- 2 – **扬声器**：播放通话方的声音。
- 3 – **指示灯**：显示耳机的当前状态。指示灯的颜色可以是黄色、绿色或红色。如果指示灯为黄色，则表示蓝牙连接已建立。指示灯为绿色和红色则分别表示耳机处于通话和充电状态。
- 4 – **音量控制键**：在通话中提高/降低听筒的音量。
- 5 – **麦克风**：传递您的声音。
- 6 – **接听/挂断键**：接听或挂断电话。按此键也可以启动声控拨号、重拨或在耳机和兼容手机间切换当前通话。
- 7 – **充电器插孔**

使用耳机前的准备工作：

- 为电池充电
- 在兼容手机和耳机间创建配对

## ■ 充电器和电池

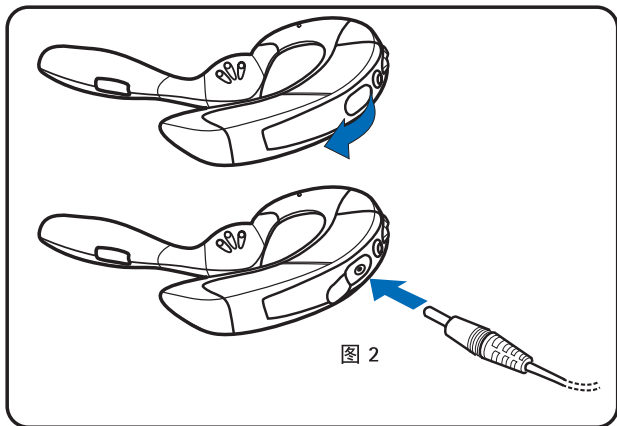


图 2

使用任何充电器为悬挂式无线耳机 HS-4W 充电前，请先检查充电器的型号<sup>1</sup>。悬挂式无线耳机 HS-4W 需由以下型号充电器供电方可使用：AC-1、ACP-7、ACP-8、ACP-9、ACP-12 和 LCH-12。

1. 充电器的具体型号因插头类型的不同而不同。例如，对于 ACP-12，充电器的具体型号可以是 ACP-12C，ACP-12E 等。



**警告！** 仅可使用经诺基亚认可，适用于此特定型号增强型配件的电池和充电器。使用其他类型的电池和充电器会违反对此增强型配件的认可或保修条款，并可能导致危险。

有关认可电池和充电器的供货情况，请向您当地的经销商咨询。

切断任何增强型配件的电源时，应握住并拔出插头，而不是拉扯电源线。

## ■ 为电池充电

1. 如图 2 所示，将充电器插头插入悬挂式无线耳机 HS-4W 的充电器插孔中。要插入充电器插头，请先打开耳机插孔上的保护盖。
2. 将充电器插到交流电源插座上。充电时，红色指示灯亮。电池完全充电的时间视您使用的充电器而定，最长可为 2 小时 45 分钟。
3. 电池完全充电后，绿色指示灯亮。断开充电器与交流电源插座和耳机的连接。

## 电池电量不足时

完全充电的电池可提供最长约为 6 小时的通话时间和最长约为 160 小时的待机时间。但是，通话时间和待机时间可能因与不同的手机或其他支持蓝牙技术的产品一起使用，以及因不同的电池状况、使用设置、

使用方式和环境而有所不同。(待机状态是指耳机打开，但未进行通话的状态。)

当电池电量即将耗尽时，耳机会蜂鸣。请按上文中的说明为电池充电。

### ■ 在耳机和兼容手机间创建配对

1. 确保兼容手机已打开。
2. 打开悬挂式无线耳机 HS-4W。确保耳机电池的电量充足。
3. 使用手机启动蓝牙连接。有关更多信息，请参见手机的《用户手册》。
4. 按照手机《用户手册》中的说明设置手机以搜索蓝牙设备。
5. 从蓝牙设备列表中选择“Nokia HS-4W”。
6. 输入通用密码(0000)以创建关联(“配对”)并将耳机连接至手机。

如果此前从未在悬挂式无线耳机和其他手机间创建过配对，则当您输入密码后，您的手机就会成为耳机的首选手机。另请参见第 16 页的“将耳机与多部配对手机一起使用”。

耳机会蜂鸣一声且黄色指示灯开始闪烁，这表示蓝牙连接已建立。此时，当您进入相应的手机功能表以查看当前与兼容手机配对的蓝牙设备时，就能够看到悬挂式无线耳机。

7. 开始使用耳机(请参见第 13 页)。



## 断开耳机与手机的连接

您可以断开悬挂式无线耳机与手机的连接，例如当您要将其他蓝牙设备与手机配合使用时。要断开耳机与手机的连接，请采用以下任一方式：

- 关闭耳机。或者：
- 在手机的“蓝牙”功能表中断开手机与耳机的连接。或者：
- 将耳机移至距离手机 10 米以远的位置。

如果耳机或手机的电池电量耗尽，则连接也会断开。

请注意，您不必为了断开连接而取消手机与耳机的配对。这样，当您重新连接已配对的耳机时，手机就不会要求您输入蓝牙密码。

## 将已配对的耳机重新连接至兼容手机

要将悬挂式无线耳机重新连接至首选手机或最近使用的手机，请打开耳机。或者，也可以按照手机《用户手册》中的说明，使用手机的“蓝牙”功能表建立连接。

请注意，仅当您将手机设置为能够在未经您的确认或授权的情况下就接受建立蓝牙连接的请求时，打开耳机才可以自动建立蓝牙连接。在兼容的诺基亚手机中，可通过更改“蓝牙”功能表下的配对设备设置来实现上述功能。

## ■ 疑难解答

如果无法将悬挂式无线耳机连接至兼容的手机，请执行以下操作：

- 确保已启动了兼容手机的蓝牙功能。
- 确保耳机已打开并与兼容手机创建了配对。
- 确保手机的上一次蓝牙连接已断开。
- 查看耳机与手机之间的距离是否超过 10 米，以及二者之间是否存在着墙壁或其他电子设备等障碍物。
- 耳机的配对信息列表可能已满。耳机中最多可同时储存 8 部手机的信息。如果配对信息列表已满，则需要恢复耳机的原始设置。请参见第 17 页的“恢复耳机的原始设置”。
- 如果耳机无法自动重新连接至首选手机或最近使用的手机，请按住**接听/挂断键**。

## 2. 使用耳机

---



**注意：**在某些情况下，使用无线设备可能受到限制。请遵守有关的限制规定，并遵守所有关于无线设备使用条件的标志和文字指示。

### ■ 打开或关闭耳机

要打开悬挂式无线耳机，请按住**电源键** 2 秒钟。耳机将蜂鸣且绿色指示灯会开始闪烁。当耳机与兼容手机建立连接后，指示灯会变为黄色。要关闭耳机，请在未进行通话时按住**电源键** 2 秒钟。耳机将蜂鸣且红色指示灯会快速闪烁。

## 佩戴耳机

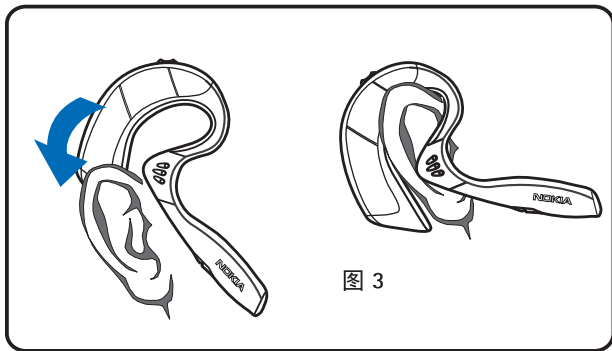


图 3

如图 3 所示，沿耳朵滑动悬挂式无线耳机以舒适地佩戴耳机。

### ■ 通话功能

当您悬挂式无线耳机连接至手机时，可以正常使用手机拨打电话。请注意，通话功能依赖于您使用的手机。

## 接听和挂断电话

当您接到来电时，会通过耳机听到铃声。

按耳机的**接听/挂断键**即可接听来电或挂断当前通话。

您也可以使用手机接听或挂断电话。

## 自动接听

如果已启动了手机的“自动接听”功能，则手机会在一次响铃后自动接听来电并将其切换至耳机。

## 拒绝接听来电

如果您不想接听来电，请快速按两下**接听/挂断键**。

## 重拨最近拨打过的电话号码

在未进行通话时快速按两下**接听/挂断键**。

## 使当前通话静音

通话中，快速按**电源键**可使当前通话静音或取消静音。

## 声控拨号

未进行通话时，按住**接听/挂断键**直至听到一声提示音，表示您可以说出所需的名称（“声控标签”）。说出声控标签。手机将播放声控标签并拨打相关的电话号码。

您也可以用手机启动声控拨号。有关声控拨号的详情，请参见手机的《用户手册》。

请注意，仅当您的手机支持时才可以使用声控拨号功能。

## ■ 调整听筒音量

按**音量控制键**可提高或降低听筒音量。

## ■ 在手机和耳机间切换通话

您可以在悬挂式无线耳机和兼容设备间切换当前通话。要在耳机和兼容手机间切换通话，请按住**接听/挂断键**或使用手机的相关功能。

## ■ 将耳机与多部配对手机一起使用

要使用悬挂式无线耳机，您必须先要在耳机和兼容手机间创建配对。您最多可以在耳机和 8 部兼容手机间创建配对，但耳机每次只能连接一部手机。

第一部与耳机配对的手机被称为“首选手机”。最后一次与耳机配合使用的手机被称为“最近使用的手机”。

如果耳机已打开且在 10 米范围内有多部配对手机，则它会在几秒钟内尝试连接“首选手机”。

如果无法与“首选手机”建立连接(例如当手机已关机或用户拒绝建立连接时)，则耳机会在几秒钟内尝试连接“最近使用的手机”。如果耳机无法自动连接至首选手机或最近使用的手机，请按住**接听/挂断键**。

如果耳机未能连接至上述任何一部手机，则会保持可见状态并以闪烁的绿色指示灯表示。

要将耳机与一部已配对，但既不是“首选手机”，也不是“最近使用的手机”的手机配合使用，请通过手机的“蓝牙”功能表建立连接。

## ■ 恢复耳机的原始设置

您可以通过恢复悬挂式无线耳机的原始设置来更改耳机的首选手机。恢复耳机的原始设置会清空包括配对信息在内的全部设置。要恢复耳机的原始设置：

按住**电源键**和**音量控制键**的上端并持续约 10 秒钟。恢复原始设置后，耳机会蜂鸣两声，且在几秒钟内，红色和绿色指示灯会交替闪烁。

## 3. 电池信息

---

悬挂式无线耳机由充电电池供电。请小心使用电池并遵守以下规定。

### ■ 充电和放电

电池可以充电、放电几百次，但最终会失效。当电池的工作时间(通话时间和待机时间)明显缩短时，请向距离您最近的合格维修机构咨询。

只使用经制造商认可的电池，并仅使用制造商认可的充电器为电池充电。充电器不用时，请切断电源。不要把电池连接在充电器上超过一个星期，因为过度充电会缩短电池的寿命。如果已完全充电的电池搁置不用，电池本身在一段时间后会放电。

温度过高或过低也会影响电池的充电能力。

不要将电池挪作它用。

切勿使用任何受损的充电器或电池。

不要使电池发生短路。当您把备用电池放在口袋或手提包中时，里面可能会有些金属物体(如硬币、别针或笔等)，如果它们偶然地直接将电池的“+”极和“-”极(即电池上的小金属条)连接，就会发生短路。短路会损坏电池或连接物。



如果把电池放在过热或过冷的地方，如在夏天或冬天将电池放在封闭的汽车里，会减少电池的容量和寿命。应尽量将电池温度保持在 15°C 和 25°C (59° F 和 77° F) 之间。悬挂式无线耳机的电池过冷或过热可能会造成耳机暂时无法工作，即使电池电量充足。当温度低于冰点时，电池的性能尤其受到限制。

不要将电池掷入火中！

请按当地规定处理电池 (如回收)。不可将电池作为生活垃圾处理。

## 维护和保养

---

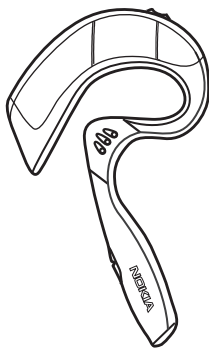
您的悬挂式无线耳机是具有优良设计和工艺的产品，应小心使用。下列建议将帮助您履行保修条款中的义务，延长耳机的使用寿命。

- 将所有配件放在小孩接触不到的地方。
- 保持耳机干燥。雨水、湿气和各种液体或水分都可能含有矿物质，会腐蚀电子线路。
- 不要在有灰尘或肮脏的地方使用或存放耳机。这会损坏它的可拆卸部件。
- 不要将耳机存放在过热的地方。高温会缩短电子器件的寿命、毁坏电池、使一些塑料部件变形或熔化。
- 不要将耳机存放在过冷的地方。否则当耳机温度升高(至常温)时，其内部会形成潮气，这会毁坏电路板。
- 不要试图拆开耳机。非专业人员对耳机的处理会损坏耳机。
- 不要跌落、敲打或振动耳机。粗暴地对待耳机会毁坏内部电路板。
- 不要用烈性化学制品、清洗剂或强洗涤剂清洗耳机。
- 不要用颜料涂抹耳机。涂抹会在可拆卸部件中阻塞杂物，从而影响正常操作。

如果耳机不能正常工作，请将其送至距离您最近的合格维修机构。如果需要，那里的人员将帮您安排维修事宜。

# 無線掛耳式耳機 (HS-4W) 的 用戶指南

---



第 1 版

## 一致性聲明

本公司 (NOKIA CORPORATION) 聲明產品 HS-4W 符合下列說明委員會 (Council Directive) 的規定：1999/5/EC。我們對此聲明獨立承擔責任。一份一致性聲明可在 [http://www.nokia.com/phones/declaration\\_of\\_conformity/](http://www.nokia.com/phones/declaration_of_conformity/) 內取得。

# CE0682

Copyright © 2005 Nokia。版權所有。

未取得 Nokia 的書面同意，嚴禁以任何形式複製、傳輸、分發或儲存本文件部分或全部內容。

Nokia 和 Nokia Connecting People 是 Nokia Corporation 的註冊商標。本文件中所提及的其他產品與公司名稱可能分別為其各自擁有者之商標或註冊名稱。

藍芽是 Bluetooth SIG, Inc. 的註冊商標。

Nokia 奉行持續研發的政策。Nokia 保留對本文件中所描述產品作出改變和改進的權利，恕不預先通知。

在任何情況下，對資料遺失、收益損失或因此所造成任何特別、意外、隨之而來或非直接的損壞，Nokia 恕不負責。

本文件的內容以「現有形式」提供。除所適用的法律外，有關本文件內容的正確性與可靠性，不論是明示或默示性，包括但不僅限於，對特殊目的的商用性與適用性都不提供任何保證。Nokia 保留隨時修訂或收回本文件之權利，恕不預先通知。

特定的產品可能根據地區的不同而有所分別。請向您就近的 Nokia 經銷商查詢。

在一些國家，可能對使用藍芽裝置設有限制。請向您當地的授權機構查詢。

第 1 版

# 目錄

簡介.....	4	將無線耳機置於耳上.....	14
藍芽無線技術.....	4	通話功能.....	14
藍芽密碼.....	5	接聽及結束來電.....	15
<b>1. 開始使用.....</b>	<b>6</b>	自動接聽.....	15
概覽.....	6	拒絕來電.....	15
充電器和電池.....	8	重撥最後撥打的號碼.....	15
為電池充電.....	9	使當前通話靜音.....	15
當電池電力耗盡時.....	9	語音撥號.....	16
將無線耳機與兼容手機進行		調較耳筒音量.....	16
配對.....	10	在手機和無線耳機之間	
中斷無線耳機與手機的		切換通話.....	16
連接.....	11	無線耳機與多部配對手機	
將配對無線耳機重新連接至		使用.....	16
兼容手機.....	11	重新設定無線耳機.....	17
疑難排解.....	12	<b>3. 電池資料.....</b>	<b>18</b>
<b>2. 使用無線耳機.....</b>	<b>13</b>	充電與放電.....	18
開啓或關閉無線耳機.....	13	<b>保養及維修.....</b>	<b>20</b>

## 簡介

---

無線掛耳式耳機 (HS-4W) 可以連接至支援藍芽技術的兼容手機。無論您是在路上或是在辦公室內，您都可以使用無線耳機自由撥打和接聽電話。在使用無線耳機前請仔細閱讀本用戶指南。除本無線掛耳式耳機 (HS-4W) 的用戶指南外，亦請閱讀手機的用戶指南，指南內提供了重要的安全和保養資料。請將無線耳機置於兒童無法觸及的地方。

### ■ 藍芽無線技術

無線掛耳式耳機 (HS-4W) 是特別為支援藍芽技術的兼容 Nokia 手機而設計。然而，本無線耳機可與支援兼容免提或耳機操作模式的任何兼容藍芽裝置一起使用。(操作模式是指手機使用控制耳機的一組藍芽命令)。

使用藍芽技術無須使用數據線連接兼容通訊裝置。藍芽連接不要求手機和無線耳機在視線範圍內，但是兩部裝置之間的距離不能超過 10 米。連接可能會受到如牆壁或其他電子裝置等障礙物的干擾。

無線掛耳式耳機 (HS-4W) 兼容及遵從藍芽規格 1.1。然而，無線掛耳式耳機 (HS-4W) 與其他可用藍芽的產品之間的可操作性卻不被保證，要視乎其兼容性而定。如要獲取更多有關無線掛耳式耳機 (HS-4W) 與其他可用藍芽的產品之間的兼容性資料，請向您的經銷商查詢。

## ■ 藍芽密碼

要將無線耳機與兼容手機配對時，您需要藍芽密碼。密碼為 0000。

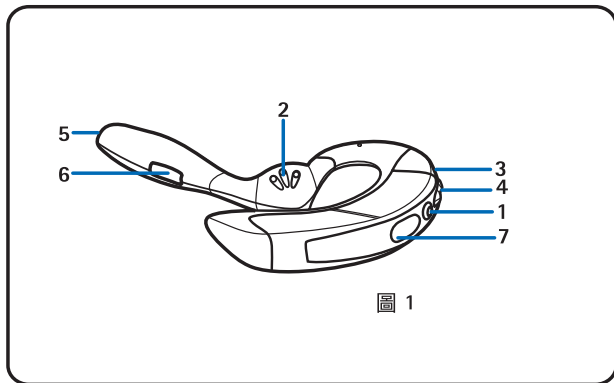
# 1. 開始使用

---



注意：在一些國家，可能對使用無線裝置設有限制。應遵守任何限制規定，並遵守所有與無線裝置使用相關的圖示與文字說明。

## ■ 概覽





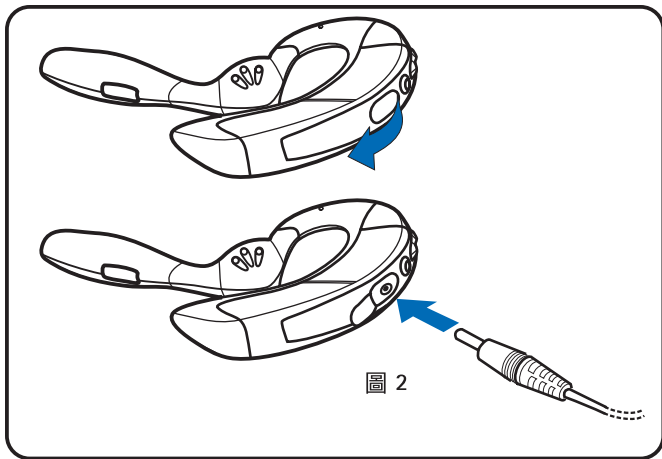
無線耳機包括以下部份，如圖 1 所示。

- 1 – **電源鍵**：開啓和關閉無線耳機，或使當前通話靜音。
- 2 – **喇叭**：傳播說話者的聲音。
- 3 – **指示燈**：顯示無線耳機當前的狀態。指示燈可以為黃、綠或紅。如果指示燈為黃，表示已啓動藍芽連接。綠色和紅色指示燈顯示通話和充電的狀態。
- 4 – **音量控制鍵**：增大/降低通話中耳機的音量。
- 5 – **麥克風**：接收您的聲音。
- 6 – **接聽/結束鍵**：接聽來電或結束通話。此鍵還可用於語音撥號、重撥與及在無線耳機與兼容手機之間切換當前通話。
- 7 – **充電器插孔**

在開始使用無線耳機前，您必須：

- 為電池充電
- 將無線耳機與兼容手機配對

## ■ 充電器和電池



在使用此裝置前請先檢查充電器的型號。無線掛耳式耳機 (HS-4W) 可與以下型號的充電器一起使用：AC-1、ACP-7、ACP-8、ACP-9、ACP-12 和 LCH-12。



**警告！**只能使用經 **Nokia** 認可的、供本特定配套使用的電池與充電器。使用其他未經認可的配件，可能會令增強配套的保養失效，甚至造成危險。

有關認可的電池和充電器的供應情況，請您本地的經銷商查詢。  
當您切斷任何配件的電源時，請握住插頭然後拔出，不要拉電線。

## ■ 為電池充電

1. 如圖 2 所示，把充電器連接至無線耳機。在連接充電器至無線耳機前，請打開翻蓋。
2. 把充電器連接至牆上的交流電插座。充電時會顯示紅色的指示燈。要把電池充滿可能需要 2 小時 45 分鐘，視乎充電器而定。
3. 當電池電力飽和時，會顯示綠色指示燈。斷開充電器與交流電插座和無線耳機的連接。

## 當電池電力耗盡時

完全充滿的電池可持續長達 6 小時的通話時間和長達 160 小時的待機時間。但是，當您使用不同的耳機以及其他的藍芽產品、電池、使用設定、使用型號和環境時，通話和待機時間可能有所不同。(在待機模式下，縱使沒有進行中的通話，無線耳機亦會開啓。)

當電池沒電時，無線耳機會發出「嗶」的聲音。請按照以上說明為電池充電。

### ■ 將無線耳機與兼容手機進行配對

1. 請確保兼容手機已開機。
2. 開啓無線耳機。請確保無線耳機已充電。
3. 透過手機啓動藍芽連接。如要獲取更多資料，請參閱手機的用戶指南。
4. 根據手機用戶指南中的指引，設定手機找尋藍芽裝置。
5. 從列表中選擇 Nokia HS-4W。
6. 輸入一般密碼連結(「配對」)及連接無線耳機至手機。

若無線耳機之前未與其他手機配對使用，則輸入密碼後，手機成爲無線耳機的預設手機。請參閱「無線耳機與多部配對手機使用」，刊於第 16 頁。

無線耳機再次發出「嗶」聲，同時黃色指示燈閃爍，表示藍芽連接已啓動。無線耳機將出現在手機的功能表內，您可在此功能表中檢視目前正與您手機配對的藍芽裝置。

7. 開始使用無線耳機(請參閱第 13 頁)。

## 中斷無線耳機與手機的連接

您可以中斷無線耳機與手機的連接，例如，當您想用手機使用另一項藍芽裝置。要中斷無線耳機的連接：

- 關閉無線耳機。或：
- 在手機的藍芽功能表內中斷與無線耳機的連接。或：
- 把無線耳機移離手機超過 10 米。

如果無線耳機或手機的電池已完全沒電亦會中斷無線耳機的連接。

請注意您不需要刪除與無線耳機的配對來中斷連接。當您重新連接已配對的無線耳機時，不會再要求您輸入密碼。

## 將配對無線耳機重新連接至兼容手機

要將無線耳機重新連接至預設手機或最後使用的手機，請開啓無線耳機。或者，根據手機的用戶指南中的指引，在手機的藍芽功能表中建立連接。

請注意，僅當您已設定手機不需要您的許可亦可接受藍芽連接時，開啓無線耳機才會自動建立連接。在 Nokia 手機，您可以利用藍芽功能表中更改您的配對裝置設定來完成。

## ■ 疑難排解

若無法將無線耳機連接至兼容手機，請按以下方法操作：

- 請確保兼容手機的藍芽功能已啓動。
- 請確保無線耳機已開啓，並已與兼容手機配對。
- 請確保手機已中斷之前的藍芽連接。
- 請檢視在無線耳機是否在手機 10 米內，以及無線耳機和手機之間是否有任何障礙物，例如牆或其他電子裝置。
- 無線耳機的配對資料列表可能已滿。無線耳機一次可儲存多達 8 部手機的資料。如果列表已滿，請重設無線耳機為原廠設定。請參閱「重新設定無線耳機」，刊於第 17 頁。
- 如果無線耳機沒有自動重新連接至預設手機或最後使用的手機，按住接聽/結束鍵。

## 2. 使用無線耳機

---



注意：在一些國家，可能對使用無線裝置設有限制。應遵守任何限制規定，並遵守所有與無線裝置使用相關圖示與文字說明。

### ■ 開啟或關閉無線耳機

要開啟無線耳機，按住電源鍵兩秒鐘。手機會發出「嗶」聲，並且綠色指示燈開始閃爍。當無線耳機連接至兼容手機時，指示燈會變為黃色。

要關閉無線耳機，在沒有進行通話時，按住電源鍵兩秒鐘。無線耳機會發出「嗶」聲，並會短暫顯示紅色指示燈。

## 將無線耳機置於耳上

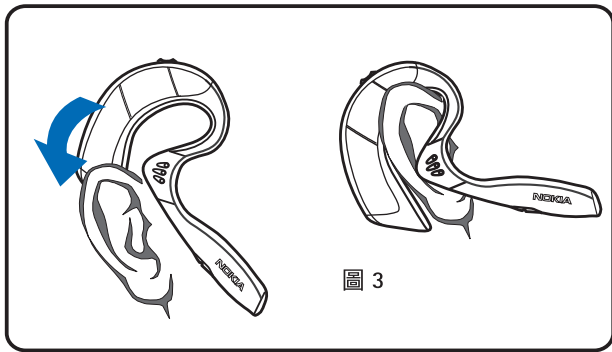


圖 3

如圖 3 所示，滑動無線耳機至耳上。

### ■ 通話功能

當您將無線耳機連接至手機時，可在正常情況下使用手機撥打電話。請注意通話功能視乎於您所使用的手機。



## 接聽及結束來電

當您有來電時，無線耳機會響起鈴聲。

按接聽/結束鍵接聽來電或結束當前通話。

您也能用手機接聽及結束來電。

## 自動接聽

如果手機上的自動接聽功能設定為開啓，手機在一聲響鈴後自動接聽來電並轉接至無線耳機。

## 拒絕來電

當您收到一個您不想接聽的來電時，快速按接聽/結束鍵兩次。

## 重撥最後撥打的號碼

當沒有進行中的通話時，快速按接聽/結束鍵兩次。

## 使當前通話靜音

您可以快速按電源鍵使當前通話靜音或取消當前通話的靜音。

## 語音撥號

當沒有進行中的通話時，按住**接聽/結束**鍵直到聽到一聲提示聲，它表示您可以以語音標籤方式說出您要的名字（「語音標籤」）。說出語音標籤。手機播放語音標籤並撥打相關的電話號碼。

您亦可用手機啟動語音撥號。有關語音撥號的詳細資料，請參閱手機的用戶指南。

請注意僅當您的手機支援時才可使用語音撥號功能。

## ■ 調較耳筒音量

按音量控制鍵增大或降低音量。

## ■ 在手機和無線耳機之間切換通話

您可以在無線耳機和兼容裝置之間轉換正在進行的通話。要從無線耳機轉換通話至手機，按住**接聽/結束**鍵或使用手機的個別功能，反之亦然。

## ■ 無線耳機與多部配對手機使用

兼容手機必須與無線耳機配對後才可使用無線耳機。無線耳機可與多達 8 部兼容手機進行配對，但每次只能與一部手機連接。

最初與無線耳機配對的手機被稱為「預設手機」。最後無線耳機使用的手機被稱為「最後使用手機」。

若無線耳機已開啓，並在十米範圍內有多部配對手機時，無線耳機將幾秒鐘內嘗試連接「預設手機」。

若無線耳機不能連接「預設手機」(例如因為手機已關機或手機的用戶拒絕連接)，無線耳機將在幾秒內嘗試連接「最後使用手機」。如果無線耳機沒有自動連接至預設或最後使用的手機，按住**接聽/結束鍵**。

如果無線耳機沒有連接至其中一個手機，其仍然可被其他手機找到，並以閃爍的綠色指示燈表示。

如果您想將無線耳機與已配對的手機(不是「預設」或「最後使用」的手機)一起使用，在手機的藍芽功能表中建立連接。

## ■ 重新設定無線耳機

您可以把無線耳機重新設定回原廠設定，例如更改無線耳機的預設用戶。若重新設定無線耳機，它的所有設定(包括配對資料)都將被清除。要重新設定無線耳機：

按住**電源鍵**及**音量控制鍵**的上端 10 秒鐘。重新設定無線耳機後，耳機將發出「嗶」聲兩次，紅色和綠色指示燈會交替顯示幾秒鐘。

## 3. 電池資料

---

本無線耳機的電源由充電電池供電。請小心保養電池並遵循以下指示。

### ■ 充電與放電

電池可以充電、放電幾百次，但最終亦會失效。當操作時間 (通話時間及待機時間) 明顯短於正常時間，請聯絡您就近的合格服務商店。

只使用製造商認可的電池，並僅使用手機製造商認可的充電器為電池充電。在不使用時拔下充電器。電池連接在充電器上請勿超過一個星期，充電過度會縮短電池的壽命。若已完全充電的電池擱置不用，電池本身便會不斷放電。

過高或過低的溫度會影響電池充電的能力。

不要把電池作其他用途。

不要使用損壞的充電器或電池。

請勿使電池短路。當金屬物品 (如硬幣、萬字夾或筆等) 直接接觸電池的正極與負極 (電池上的小金屬條) 時，便有可能會發生意外短路的狀況 (例如當您將備用電池放在口袋或背包中時)。電極的短路將會造成電池或觸及物品的毀損。

把電池留在過熱或過冷的地方 (如夏天或冬天的密閉車廂中)，會縮減電池電容量及壽命。請盡量把電池保持在 15°C 及 25°C (59° F 和 77° F) 之間。若裝上過熱或過冷之電池時，即使電池電量已飽和，無線耳機亦可能暫時無法操作。電池的效能在冰點以下將大打折扣。

切勿將電池丟入火中！

請依當地的法例規定丟棄電池 (例如：電池回收)。請勿將電池當成家庭廢物般丟棄。

## 保養及維修

---

本無線耳機是透過優良技術設計的產品，務請小心使用。下列的建議有助於您履行保養期內的所有責任、義務，以及長期享用本產品。

- 請將所有配件置於兒童無法觸及的地方。
- 請保持無線耳機乾燥。雨水、濕氣與各種液體或水份可能含有腐蝕電路的礦物質。
- 請勿將無線耳機存放在佈滿灰塵、髒亂的地方或在該地方內使用無線耳機。活動式的零件可能較容易損壞。
- 請勿將無線耳機存放在高溫地方。高溫可能會縮短電子裝置的壽命、破壞電池，並使某些塑膠零件變形或融化。
- 請勿將無線耳機存放在寒冷的地方。當它升溫至其正常的溫度時，其內部可能會產生濕氣，這可能會損壞電路板。
- 請勿嘗試拆卸無線耳機。非專業人員的不當處理可能會導致裝置損毀。

- 請勿扔擲、敲擊或搖晃無線耳機。粗暴的使用方式可能會破壞內部的線路板。
- 請勿使用刺激性的化學製品、清潔溶劑或腐蝕性的清潔劑來清潔手機。
- 請勿為無線耳機塗上顏料。塗料可能會妨礙裝置的活動式零件，妨礙正常操作。

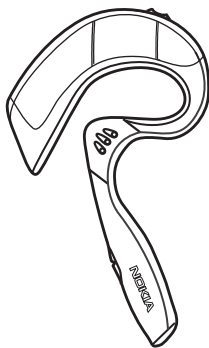
如果無線耳機無法正常運作，請送交就近的合格服務商店。該處的服務人員會協助您，如有需要，亦可安排維修服務。





# 新潮耳掛式無線耳機 (HS-4W) 用戶指南

---



第 1 版

## 一致性聲明

本公司 (NOKIA CORPORATION) 聲明產品 HS-4W 符合下列說明委員會 (Council Directive) 的規定：1999/5/EC。我們對此聲明獨立承擔責任。此聲明 (Declaration of Conformity) 的全文可在：

[http://www.nokia.com/phones/declaration\\_of\\_conformity/](http://www.nokia.com/phones/declaration_of_conformity/) 內找到。

# CE 0682

Copyright © 2005 Nokia。版權所有。

未取得 Nokia 的書面同意，嚴禁以任何形式複製、傳遞、分發或儲存本文件全部或部分內容。

Nokia 與 Nokia Connecting People 是 Nokia Corporation 的註冊商標。本文件中所提及的其他產品與公司名稱可能分別為其各自擁有者之商標或註冊名稱。

Bluetooth (藍芽) 是 Bluetooth SIG, Inc 的註冊商標。

Nokia 奉行持續研發的政策。Nokia 保留對本文件中所描述產品進行改變和改進的權利，恕不預先通知。

在任何情況下，對資料遺失、收益損失或因此所造成任何特別、意外、隨之而來或非直接的損壞，Nokia 恕不負責。

本文件的內容以「現有形式」提供。除所適用的法律外，有關此文件內容的正確性與可靠性，不論是明示或默示性，包括但不僅限於，對特殊目的的商用性與適用性都不提供任何保證。Nokia 保留於任何時刻修正或作廢此文件的權利，恕不另行通知。

特定產品的取得依地區而有所不同。請向您就近的 Nokia 經銷商查詢。

在某些國家可能會有限制使用藍芽裝置的相關規定。請洽詢當地的主管機關。

第 1 版

# 目錄

簡介.....	4	將耳機組置於耳朵上方.....	14
藍芽無線科技.....	4	通話功能.....	15
藍芽密碼.....	5	接聽及結束通話.....	15
<b>1. 開始使用.....</b>	<b>6</b>	自動接聽.....	15
概觀.....	6	拒絕來電.....	15
充電器與電池.....	8	重新撥打前一通電話號碼.....	15
將電池充電.....	9	通話中靜音.....	16
當電池電力微弱時.....	9	聲控撥號.....	16
將耳機組與相容的行動電話		調整聽筒音量.....	16
搭配使用.....	10	切換行動電話通話模式與	
解除耳機組與行動電話的		耳機組通話模式.....	16
連線.....	11	將耳機組搭配數種行動	
將已搭配的耳機組重新連線		電話使用.....	17
至相容的行動電話.....	11	重設耳機組.....	18
疑難排解.....	12	<b>3. 電池資訊.....</b>	<b>19</b>
<b>2. 使用耳機組.....</b>	<b>13</b>	充電與放電.....	19
開啓或關閉耳機組.....	13	<b>保養及維護.....</b>	<b>21</b>

## 簡介

---

「新潮耳掛式無線耳機 HS-4W」可以與支援藍芽科技的行動電話搭配使用。讓您在行動中或辦公室裡能隨時撥打行動電話與接收來電。

在使用耳機組前請仔細閱讀本用戶指南。除了閱讀新潮耳掛式無線耳機 HS-4W 用戶指南之外，也請閱讀行動電話的用戶指南，其中提供了重要的安全與維護資訊。請將耳機組放置於兒童無法取得的位置。

### ■ 藍芽無線科技

「新潮耳掛式無線耳機 HS-4W」是專門為支援藍芽科技的相容 Nokia 行動電話所設計。此耳機組可用於支援其藍芽具有免持聽筒模式 (Handsfree profile) 或耳機模式 (Headset profile) 的藍芽手機。(模式 (profile) 是一組行動電話用以控制耳機組的藍芽指令)。

運用藍芽科技，即不再需要使用纜線與相容的通訊裝置連線。透過藍芽連線，手機和耳機之間就不再需要使用實體的線路連接，但兩個裝置相距必須在 10 公尺之內。請注意連線可能被障礙物干擾，例如牆壁或其他電子裝置。

「新潮耳掛式無線耳機 HS-4W」採用且相容於 Bluetooth Specification 1.1。但我們無法保證「新潮耳掛式無線耳機 HS-4W」可與其他運用藍芽科技的產品共同使用，需視相容性而定。如需關於「新潮耳掛式無線耳機 HS-4W」與其他運用藍芽科技產品間相容性的詳細資訊，請洽詢您的經銷商。

## ■ 藍芽密碼

需要有藍芽密碼才能將耳機與相容的裝置配對。預設的密碼為 0000。

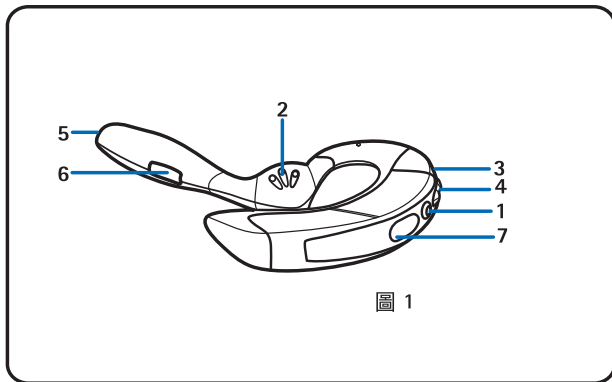
# 1. 開始使用

---



注意：在某些情況下，使用無線裝置可能受到限制。請留意任何限制規定，並遵守所有關於使用無線裝置的告示或指示。

## ■ 概觀



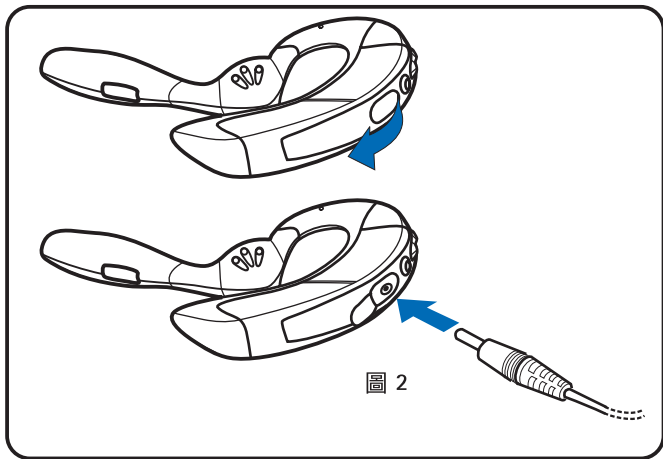
耳機組包含以下組件，如圖 1。

- 1 – **電源鍵**：開啓及關閉耳機組，或通話時靜音。
- 2 – **喇叭**：播放來電者的聲音。
- 3 – **指示燈**：顯示耳機組目前狀態。指示燈可出現三種顏色：黃、綠和紅。如果指示燈是黃色，表示已經啓動藍芽連線。綠色和紅色則表示通話與充電的狀態。
- 4 – **調高音量鍵**：通話時調高或調低耳機音量。
- 5 – **麥克風**：發話處。
- 6 – **接聽/結束通話鍵**：接聽或結束通話。此鍵可用於：聲控撥號、重撥，以及通話中切換成透過耳機接聽或是使用行動電話接聽通話。
- 7 – **充電器插孔**

在開始使用耳機組前，您必須：

- 將電池充電
- 將耳機組與相容的行動電話搭配使用

## ■ 充電器與電池



在將裝置與充電器搭配使用前，請先確定充電器型號。「新潮耳掛式無線耳機 HS-4W」適用以下的充電器：AC-1、ACP-7、ACP-8、ACP-9、ACP-12 以及 LCH-12。





**警告！**請僅使用通過 **Nokia** 核准，與此特定配件搭配之電池與充電器。使用任何其他類型的電池或充電器，可能造成危險，且不在對此配件的核准保固範圍內。

如需關於核准可用之電池或充電器的資訊，請洽詢您當地的經銷商。若要拔下任何配件的電源線時，請握住插頭後拔出，不要直接拉扯電線。

## ■ 將電池充電

1. 如圖 2 所示將充電器前端連接到耳機組。在將充電器電線連接到耳機組之前，請先開啓插孔護蓋。
2. 將充電器插頭連接到交流電源插座上。充電時會顯示紅色的指示燈。將電池的電力完全充飽需要 2 個小時又 45 分鐘，視充電器的情況而定。
3. 當電池充飽後，會顯示綠色的指示燈。此時請停止充電並將充電器自耳機及牆面拔除。

## 當電池電力微弱時

完全充滿的電池，可提供最多 6 個小時的通話時間，以及 160 個小時的待機時間。然而，通話與待機的時間可能因使用不同的手持裝置、藍

牙啓用產品、使用設定、使用方式和環境而有所差異。(待機時的耳機組是開機但不進行任何通話的狀態。)

當電力即將耗盡時，耳機組會發出嗶聲。請依以上指示為電池充電。

### ■ 將耳機組與相容的行動電話搭配使用

1. 請確定相容的行動電話已開機。
2. 開啓耳機組。請確定耳機組已充電。
3. 啓動行動電話的藍芽連線。如需詳細資訊，請參閱行動電話用戶指南。
4. 請依行動電話用戶指南之指示，將行動電話設定為搜尋藍芽裝置。
5. 從清單中選擇 Nokia HS-4W。
6. 輸入預設密碼 0000，將耳機組與行動電話搭配使用及連線。

若耳機組之前尚未與其他行動電話搭配使用，則接受輸入密碼的行動電話，即成為耳機組的預設行動電話。另請參閱「將耳機組搭配數種行動電話使用」(第 17 頁)。

耳機組會發出一聲嗶聲，並以閃爍的黃色指示燈顯示藍芽連線已啓動。現在行動電話的功能表中會顯示耳機組，您可以在此檢視藍芽裝置，是否已正確與相容的行動電話搭配。

7. 開始使用耳機組 (請參閱第 13 頁)。

## 解除耳機組與行動電話的連線

想要搭配使用其他的藍芽裝置時，可以解除耳機組與行動電話的連線。解除耳機組的連線：

- 關閉耳機組。或：
- 解除行動電話藍芽功能表中的耳機組連線。或：
- 將耳機組移到距離行動電話 10 公尺外的地方。

如果耳機組或行動電話沒電時，也會解除耳機組的連線。

請注意，您不需要刪除耳機組的搭配裝置資訊來解除連線。因此當您重新與搭配的耳機組連線時，不需要再輸入密碼。

## 將已搭配的耳機組重新連線至相容的行動電話

若要將耳機組重新連線至預設的行動電話或前一次使用的行動電話，請開啓耳機組。否則，請依行動電話用戶指南的指示，在行動電話的藍芽功能表上建立連線。

請注意，只有當您已經將行動電話設定為自動接受藍芽連線要求的情況下，才會在開啓耳機組時自動連線。在相容的 Nokia 行動電話中，只要變更藍芽功能表下的搭配裝置設定即可設定自動連線。

## ■ 疑難排解

若無法將耳機組連線至相容的行動電話，請依下列程序進行：

- 請確定相容行動電話中的藍芽功能已開啓。
- 請確定耳機組已開啓，且已與相容的行動電話搭配使用。
- 請確定您的行動電話已解除與先前裝置間的藍芽連線。
- 請在與行動電話相距 10 公尺的距離內 (且之間不受牆壁阻隔或其他電子裝置的干擾) 測試耳機組。
- 耳機組的搭配資訊清單可能已滿。耳機組最多可同時儲存 8 組行動電話資訊。若清單已滿，可將耳機組重設為原先的設定值。另請參閱「重設耳機組」(第 18 頁)。
- 若耳機組並未自動重新連線至預設或前一部使用過的行動電話，請按住接聽/結束通話鍵。

## 2. 使用耳機組

---



注意：在某些情況下，使用無線裝置可能受到限制。請留意任何限制規定，並遵守所有關於使用無線裝置的告示或指示。

### ■ 開啟或關閉耳機組

若要開啓耳機組，請按住電源鍵兩秒鐘。耳機組會發出嗶聲，並開始閃爍綠色的指示燈。當耳機組連接到相容的行動電話時，指示燈會變成閃爍黃色。

若要關閉耳機組，請在未進行通話的情況下，按住電源鍵兩秒鐘。耳機組會發出嗶聲，並瞬間顯示紅色的指示燈。

## 將耳機組置於耳朵上方

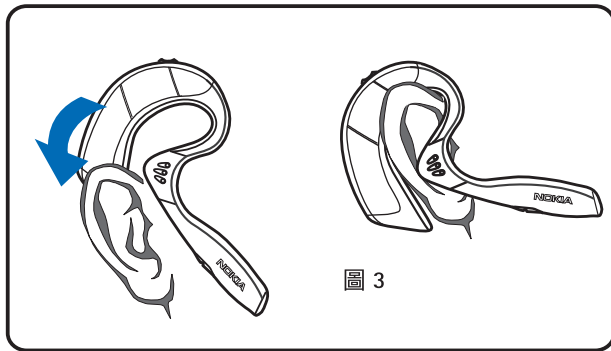


圖 3

如圖 3 中所示，再移動耳機組到耳朵旁適當的位置。

## ■ 通話功能

當耳機組已與行動電話連線時，請確定在正常情況下使用行動電話通話。請注意，通話功能需視您的行動電話而定。

### 接聽及結束通話

來電時，您可以透過耳機組聽到鈴聲。

請按**接聽/結束通話**鍵接聽來電或結束通話。

也可以直接使用行動電話接聽或結束通話。

### 自動接聽

若行動電話的「自動接聽」功能已設為開啓，那麼行動電話便會在響鈴一聲後自動接聽，並轉接到耳機。

### 拒絕來電

當您收到一通不想接聽的來電時，請迅速按兩下**接聽/結束通話**鍵。

### 重新撥打前一通電話號碼

在未進行通話的情況下，迅速按兩下**接聽/結束通話**鍵。

## 通話中靜音

通話中，您可以迅速按一下**電源鍵**開啓靜音或解除靜音。

## 聲控撥號

當未進行通話時，請按住**接聽/結束通話鍵**，直到聽到一聲指示音爲止，表示您可以說出想要通話的對象姓名（「語音標記」）。請說出語音標記。電話播放語音標記並撥打相關的電話號碼。

您也可以啓動行動電話的聲控撥號。如需關於聲控撥號的詳細資訊，請參閱行動電話的用戶指南。

請注意，只有支援聲控撥號的行動電話才有此功能。

## ■ 調整聽筒音量

按一下**音量控制鍵**以調高或調低音量。

## ■ 切換行動電話通話模式與耳機組通話模式

在通話中，您可以在相容的行動電話通話模式或耳機組通話模式之間切換。若要將耳機組通話模式切換成行動電話通話模式（或反之），請按住**接聽/結束通話鍵**，或使用您行動電話中個別的相關功能。



## ■ 將耳機組搭配數種行動電話使用

耳機組必須搭配相容的行動電話使用。耳機組最多可搭配 8 支相容的行動電話，但一次只能與一支行動電話連線。

第一支與耳機組搭配的行動電話稱為「預設的行動電話」。前一次與耳機組搭配使用的行動電話稱為「前一次使用的行動電話」。

若在與多支行動電話相距 10 公尺以內的範圍中啟動耳機組，耳機組會在幾秒鐘內試著連線至「預設的行動電話」。

若耳機組無法連線至「預設的行動電話」(例如，行動電話已關機或使用者拒絕連線)，耳機組會在幾秒鐘內試著連線至「前一次使用的行動電話」。若耳機組並未自動連線至預設或前一次使用的行動電話，請按住**接聽/結束通話**鍵。

若耳機組無法與上述這些行動電話連線，就會保持待命，等候與其他的行動電話連線，同時會閃爍綠色的指示燈。

若要將耳機組與「預設」或「前一次使用的行動電話」之外的行動電話連線，請在行動電話的藍芽功能表中做選擇。

## ■ 重設耳機組

您可以將耳機組重設成原來的設定值，例如，變更耳機組的預設使用者。重設耳機組會清除所有的設定值，包括搭配裝置的相關資訊。重新設定耳機組：

按住**電源鍵**與**音量控制鍵**的上半部約十秒。重設後，耳機組會發出兩次嗶聲，並持續幾秒鐘交替閃爍著紅色與綠色的指示燈。

### 3. 電池資訊

---

耳機組的電力來源是一個充電電池。請妥善保養電池並遵循以下的指示。

#### ■ 充電與放電

電池可以充電、放電幾百次，但最終仍會失效。當作業時間 (通話時間與待機時間) 明顯較正常使用時間來得短時，請聯繫最近的合格服務商店。

請僅使用製造商核可之電池，並以製造商核可的充電器為電池充電。當不使用充電器時，請拔下充電器的插頭。電池連接在充電器上請勿超過一個星期，充電過度會縮短電池的壽命。如果已完全充電的電池擱置不用，電池本身會不斷放電。

過高或過低的溫度會影響電池充電的能力。

不要將電池移作他用。

請勿使用受損的充電器或電池。

請勿造成電池短路。當含有磁性 (錢幣、夾子或筆) 的物體直接接觸電池的正負極 (電池上的金屬片) 時，可能會意外導致短路。例如將電池放置於口袋或錢包中時。電極的短路將會造成電池或觸及物品的毀損。

## 電池資訊

將電池留置在過熱或過冷的地方 (如夏天或冬天的密閉車廂中)，會造成電池電容量及壽命的縮減。請務必將電池存放於 15°C 和 25°C (59°F 和 77°F) 之間的常溫下。即使電池已充飽電力，但若其溫度過高或過低，都可能導致耳機組暫時無法使用。在極低溫狀態下，電池的效能特別受限。切勿將電池丟在火中！

請依當地法規規定丟棄電池 (例如：電池回收)。請勿將電池當成家庭廢棄物丟棄。

## 保養及維護

---

本耳機組是透過優良技術設計的產品，務請小心使用。下列的建議有助於您履行保養期內的所有責任、義務，以及長期享用本產品。

- 請將所有小型 SIM 卡置於兒童無法觸及的地方。
- 請保持耳機組乾燥。雨水、濕氣與各式液體或水份可能含有腐蝕電路的礦物質。
- 請勿將電話存放在佈滿灰塵、髒亂的地方或在該地方內使用電話。活動式的零件可能較容易損壞。
- 請勿將耳機組存放在高溫地方。高溫可能會縮短電子裝置的壽命、破壞電池，並使某些塑膠零件變形或融化。
- 請勿將耳機組存放在寒冷的地方。當它回溫時(至其正常的溫度)，其內部可能會產生濕氣，這可能會損壞電路板。
- 請勿嘗試拆卸耳機組。非專業人員的不當處理可能會導致裝置損毀。

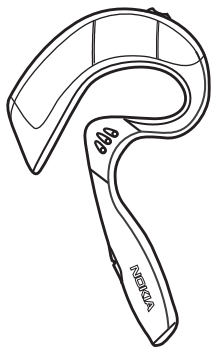
## 保養及維護

- 請勿扔擲、敲擊或搖晃耳機組。粗暴的使用方式可能會破壞內部的主機板。
- 請勿使用刺激性的化學製品、清潔溶劑或腐蝕性的清潔劑來清潔耳機組。
- 請勿為耳機組塗上顏料。塗料可能會妨礙裝置的活動式零件，妨礙正常操作。

如果耳機組無法正常運作，請送交最近的合格服務商店。該處的服務人員會協助您，如果有必要，可安排維修服務。

# Nokia Wireless Boom Headset (HS-4W) 取扱説明書

---



第 1 版

## 適合宣言

NOKIA CORPORATION は、その責任において、HS-4W 製品が Council Directive: 1999/5/EC の規定に適合していることをここに宣言します。適合宣言書につきましては、こちらをご参照ください。

[http://www.nokia.com/phones/declaration\\_of\\_conformity/](http://www.nokia.com/phones/declaration_of_conformity/)

# CE 0682

著作権 © は Nokia が所有しています (2005 年)。All rights reserved.

本書を如何なる形式のものであっても、Nokia からの事前の書面による承諾を得ることなく、その内容の一部および全てを複製、譲渡、配布、保管することを禁じます。

Nokia および Nokia Connecting People は、Nokia Corporation の登録商標です。本書で言及しているその他の製品名および会社名は、各所有者の商標または商標名である場合があります。

Nokia は製品の改良を継続的にこなっています。そのため、本書に記載された全ての製品の仕様は、事前の通知なしに変更または改良されることがあります。

いかなる条件下においても、データや利益の損失、または特別な、偶発的、結果的、間接的に生じた損害に対しても、Nokia では一切の責任を負いません。

本書の内容は現状のままでお客様にご提供するものです。適用される法律で求められる場合を除き、本書の正確性、信頼性、内容に関して、明示もしくは暗示された記載 (市場性および特定目的での適合性に関する暗黙の保証を含みますが、それに制限されるものではありません) に対し、如何なる保証も負いません。Nokia は事前の通知なしで、いつでも本書を改訂または撤回できる権利を保有しています。

製品のお取り扱い、地域によって異なります。最寄りのノキア代理店にお問い合わせください。

国によっては Bluetooth 機器の使用が制限されている場合があります。ご使用になる国や地域の認証機関にご確認ください。

第 1 版



# 目次

---

目次.....	3	ヘッドセットのオンとオフの切替え.....	14
はじめに.....	4	ヘッドセットの装着.....	15
Bluetooth ワイヤレステクノロジー.....	4	通話機能.....	15
Bluetooth パスコード.....	5	通話の応答と終了.....	16
1. お使いになる前に.....	6	自動応答.....	16
各部の名称と機能.....	6	着信拒否.....	16
充電器と電池.....	8	リダイヤル.....	16
電池の充電.....	9	ミュート.....	16
電池の電池残量が低下した場合.....	10	音声ダイヤル.....	17
ヘッドセットと互換性のある電話機のペアリング.....	10	音量の調節.....	17
電話機からの切断.....	11	電話機とヘッドセット間でのコールの切替え.....	17
ペアリングされたヘッドセットと互換性のある電話機の再接続.....	12	ペアリング電話機が複数ある場合.....	18
トラブルシューティング.....	13	ヘッドセットのリセット.....	19
2. ヘッドセットの使用.....	14	3. 電池情報.....	20
		充電と放電.....	20
		お手入れとメンテナンス... ..	22

## はじめに

---

Nokia Wireless Boom Headset HS-4W は、Bluetooth テクノロジーに対応している互換性のある電話機に接続できます。これにより、移動中でもオフィスでも自由にハンズフリー通話ができます。

ヘッドセットを使用する前に、この取扱説明書をよくお読みください。この『Nokia Wireless Boom Headset HS-4W 取扱説明書』に加えて、安全およびメンテナンスに関する重要情報を記載している電話機の取扱説明書もお読みください。ヘッドセットは小さなお子様の手の届かない場所に保管してください。

### ■ Bluetooth ワイヤレス テクノロジー

Nokia Wireless Boom Headset HS-4W は、Bluetooth テクノロジーに対応するノキアの電話機用に設計されています。

Bluetooth ワイヤレステクノロジーは、互換性のある機器を他の製品とケーブルなしで接続することを可能にしています。電話機と Nokia Wireless Boom Headset HS-4W を Bluetooth で接続する場合、両方の端末を必ずしも同じ位置に置く必要はなく、Bluetooth の通信可能距離である 10 メートル以内に置いておきます。ただし、Bluetooth の通信可能距離は、壁や他の電子機器などの障害物に影響される場合があります。

Nokia Wireless Boom Headset HS-4W は、Bluetooth Specification 1.1 に準拠し、またその仕様を採用しています。ただし、Bluetooth ワイヤレステクノロジーを使用した Nokia Wireless Boom Headset HS-4W と他の製品との相互接続性は、互換性に依存しますので保証はされておりません。Nokia Wireless Boom Headset HS-4W と他の製品との Bluetooth ワイヤレステクノロジーの互換性については、製品パッケージのラベルを参照ください。

## ■ Bluetooth パスコード

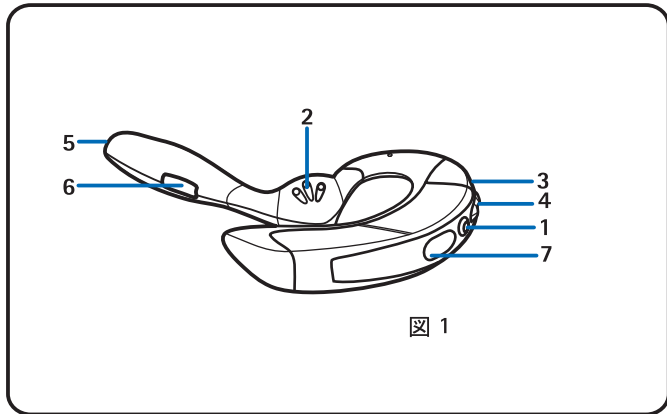
ヘッドセットと互換性のある電話機をペアリングするには、Bluetooth パスコードが必要です。パスコードは 0000 です。

## 1. お使いになる前に



**注意：**無線機器の使用が制限されている場合があります。そのような場合は、規則を守り、無線機器の使用に関するすべての標示や指示に従ってください。

### ■ 各部の名称と機能



1- **電源ボタン** :ヘッドセットのオンとオフを切り替えたり、通話をミュートしたりします。

## 2- **スピーカー**

3- **インジケーター** :ヘッドセットの現在の状態を表示します。インジケーターは、黄色、緑、赤に点滅します。ライトが黄色の場合は、Bluetooth 接続がオンになっています。緑と赤のライトは、通話と充電の状態を示します。

4- **音量調節ボタン** :通話中にイヤホンの音量を調節します。

## 5- **マイク**

6- **応答/終了ボタン** :電話に応答するか、終了します。このボタンは、音声ダイヤル、リダイヤル、およびヘッドセットと互換性のある電話機間での通話の切替えにも使用できます。

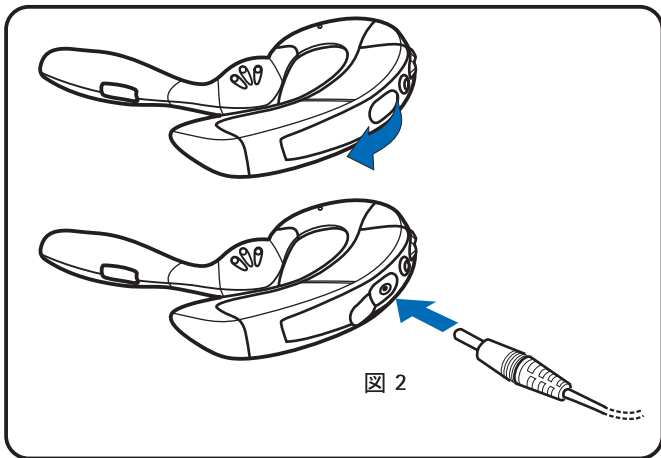
## 7- **充電器接続端子**

ヘッドセットの使用を開始する前に、以下の操作を行う必要があります。

- 電池の充電
- ヘッドセットと互換性のある電話機のペアリング

お使いになる前に

## ■ 充電器と電池



充電器を使用する前に、その充電器の型番を確認してください。Nokia Wireless Boom Headset HS-4W では、AC-1、ACP-7、ACP-8、ACP-9、ACP-12 および LCH-12 の充電器を使用できます。



**警告!**本製品をご使用になる際は、Nokia が認定した充電器のみを使用してください。認定外の機器を使用すると、本製品に対する認定あるいは保証の対象外となるだけでなく、危険な事態を引き起こす可能性があります。

認定された充電器のご購入については、ハローノキアまでお問い合わせください。

アクセサリの電源コードを外すときは、コードではなくプラグを持って抜いてください。

## ■ 電池の充電

1. 図2に示すように充電ケーブルをヘッドセットに接続します。充電ケーブルをヘッドセットに接続する前に、カバーを開きます。
2. コンセントに充電器を接続します。充電中は赤いインジケーターが点灯します。電池をフルに充電するには、充電器によって約最大2時間45分かかることがあります。
3. 電池がフルに充電されると、緑のインジケーターが点灯します。コンセントとヘッドセットから充電器を外します。

## **電池の電池残量が低下した場合**

フルに充電した電池の最大通話時間は6時間、最大待受時間は160時間です。

電池の電池残量が不足すると、ヘッドセットからビープ音が発生します。上記の説明に従って電池を充電します。

### **■ ヘッドセットと互換性のある電話機のペアリング**

1. 互換性のある電話機のスイッチがオンになっていることを確認します。
2. ヘッドセットのスイッチをオンにします。ヘッドセットが充電されていることを確認します。
3. 電話機から Bluetooth 接続をオンにします。詳細については、電話機の取扱説明書を参照してください。
4. 電話機の取扱説明書に従って、Bluetooth デバイスを検索します。
5. リストから Nokia HS-4W を選択します。
6. パスコード 0000 を入力してヘッドセットと電話機のペアリングを行い、接続します。



パスコードを入力すると、ヘッドセットが別の電話機と以前にペアリングされていなければ、その電話機がヘッドセットのデフォルト電話機になります。18 ページの「ペアリング電話機が複数ある場合」も参照してください。

ヘッドセットのビープ音が1回鳴り、黄色のインジケーターが点灯したら Bluetooth 接続がオンになっています。ヘッドセットが電話機のメニューに表示されます。ここで、互換性のある電話機と現在ペアリングされている Bluetooth デバイスを確認できます。

7. ヘッドセットの使用を開始します (14 ページを参照)。

## **電話機からの切断**

別の Bluetooth デバイスで使用するなどの場合は、電話機からヘッドセットとの接続を切断できます。切断するには、以下の操作を行います。

- ヘッドセットのスイッチをオフにします。または
- 電話機の Bluetooth メニューでヘッドセットとの接続を切断します。または
- 電話機から 10 メートル以上離れた場所にヘッドセットを移動します。

お使いになる前に

ヘッドセットとの接続は、ヘッドセットまたは電話機の電池が切れた場合にも切断されます。

ヘッドセットとの接続を切断するために、ヘッドセットとのペアリングも削除する必要はありません。ペアリングされたヘッドセットを再接続するときに、パスコードは不要です。

## **ペアリングされたヘッドセットと互換性のある電話機の再接続**

ヘッドセットをデフォルト電話機または前回使用した電話機に再接続するには、ヘッドセットのスイッチをオンにします。または、電話機の取扱説明書に従って電話機の Bluetooth メニューで接続を行います。

自動的に Bluetooth 接続要求を受けつけるように電話機を設定している場合は、ヘッドセットのスイッチをオンにすると、接続が自動的に行われます。

## ■ トラブルシューティング

ヘッドセットを互換性がある電話機に接続できない場合は、以下の操作を行います。

- 互換性のある電話機で Bluetooth 機能がオンになっていることを確認します。
- ヘッドセットのスイッチがオンであり、互換性のある電話機とペアリングされていることを確認します。
- 直前の Bluetooth 接続が切断されていることを確認します。
- ヘッドセットが電話機から 10 メートル以内にあり、壁や他の電子機器などの障害物がないことを確認します。
- ヘッドセットのペアリング情報リストが一杯になっている可能性があります。ヘッドセットは、一度に最大 8 台の電話機とペアリングできます。リストが一杯になった場合は、ヘッドセットを元の設定にリセットします。19 ページの「ヘッドセットのリセット」を参照してください。
- ヘッドセットがデフォルト電話機または前回使用した電話機に自動的に再接続しない場合は、**応答 / 終了**ボタンを押し続けます。

## 2. ヘッドセットの使用

---



**注意：**無線機器の使用が制限されている場合があります。そのような場合は、規則を守り、無線機器の使用に関するすべての標示や指示に従ってください。

### ■ ヘッドセットのオンとオフの切替え

ヘッドセットのスイッチをオンにするには、**電源**ボタンを2秒間押し続けます。ヘッドセットのビープ音が鳴り、緑のインジケーターが点滅を開始します。ヘッドセットが互換性のある電話機に接続されると、インジケーターが黄色に変わります。

ヘッドセットのスイッチをオフにするには、通話中ではないときに**電源**ボタンを2秒間押し続けます。ヘッドセットのビープ音が鳴り、赤のインジケーターが点滅します。

## ヘッドセットの装着

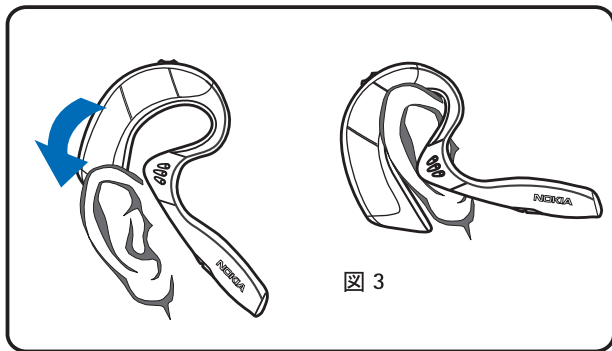


図3に示すように、ヘッドセットを耳の上に滑らせます。

### ■ 通話機能

ヘッドセットが電話機に接続されている場合は、通常の方法で電話機を使用して発信します。通話機能は、使用している電話機によって異なることに注意してください。

## 通話の応答と終了

電話を受信すると、ヘッドセットから呼出し音が聞こえます。

**応答 / 終了**ボタンを押して、電話に応答するか、現在通話中の電話を終了します。

電話機を使用して応答または終了することもできます。

## 自動応答

電話機で自動応答機能がオンに設定されている場合、電話機は呼出し音が1回鳴った後に着信に自動的に応答し、ヘッドセットに転送します。

## 着信拒否

応答したくない着信があった場合は、**応答 / 終了**ボタンを短く2回押します。

## リダイヤル

通話中ではないときに、**応答 / 終了**ボタンを短く2回押します。

## ミュート

**電源**ボタンを短く押すことにより、通話をミュートまたは解除できます。

## 音声ダイヤル

通話中ではないときに、**応答 / 終了**ボタンを押し続けて、ボイス タグの使用可能を示すトーンが聞こえたらボイス タグに登録してある名前の発声を行います。電話機がボイス タグを再生し、該当する電話番号をダイヤルします。

電話機の音声ダイヤルを使用することもできます。音声ダイヤルの詳細については、電話機の取扱説明書を参照してください。

この機能は、電話機で音声ダイヤルがサポートされている場合のみ使用できます。

## ■ 音量の調節

**音量調節**ボタンを押して音量を調節します。

## ■ 電話機とヘッドセット間でのコールの切替え

ヘッドセットと互換デバイスの間でアクティブな通話を切り替えることができます。ヘッドセットから電話機に、またはその逆に切り替えるには、**応答 / 終了**ボタンを押し続けるか、電話機の対応する機能を使用します。

### ■ ペ어링電話機が複数ある場合

ヘッドセットを使用する前に、互換性のある電話機をヘッドセットとペアリングする必要があります。ヘッドセットは、最大 8 台の互換性のある電話機とペアリングできますが、一度に接続できる電話機は 1 台だけです。

ヘッドセットと最初にペアリングされた電話機は「デフォルト電話機」と呼ばれます。ヘッドセットで最後に使用された電話機は「前回使用した電話機」と呼ばれます。

複数のペアリングされた電話機から 10 メートル以内の場所でヘッドセットのスイッチをオンにすると、ヘッドセットは数秒間「デフォルト電話機」への接続を試みます。

ヘッドセットが「デフォルト電話機」に接続できない場合(たとえば、デフォルト電話機の電源が入っていないか、接続を拒否された場合)、ヘッドセットは数秒間「前回使用した電話機」への接続を試みます。ヘッドセットがデフォルト電話機または前回使用した電話機に自動的に接続しない場合は、**応答 / 終了** ボタンを押し続けます。

ヘッドセットがどちらの電話機にも接続できない場合でも、点滅する緑のインジケーターが示され、他の電話機の検出が可能です。

「デフォルト電話機」または「前回使用した電話機」以外のペアリング済の電話機でヘッドセットを使用する場合は、電話機の Bluetooth メニューで接続を行います。



## ■ ヘッドセットのリセット

ヘッドセットのデフォルトユーザの変更などを行うために、ヘッドセットを元の設定にリセットできます。ヘッドセットをリセットすると、ペアリング情報などのすべての設定が消去されます。ヘッドセットをリセットするには、次の操作を行います。

**電源ボタンと、音量調節ボタンの上端を 10 秒間押し続けます。**ヘッドセットがリセットされた後、ビーブ音が 2 回鳴り、赤と緑のインジケーターが数秒間交互に点灯します。

## 3. 電池情報

---

ヘッドセットは再充電可能な電池から電力を供給されます。電池の取り扱いには十分に注意し、以下のガイドラインに従ってください。

### ■ 充電と放電

本製品は、充電できる電池を電源としています。

新しい電池を使用する際には、完全充電と放電のサイクルを2、3回繰り返すと、完全に充電できるようになります。

電池は数百回充電と放電を繰り返すことができますが、次第に消耗します。使用時間が極端に通常より短くなった場合は、新しい電池に交換してください。

充電器を使用していないときは、コンセントから外してください。Nokia Wireless Boom Headset HS-4W を充電したまま1週間以上放置しないでください。電池が過充電され寿命が短くなることがあります。完全に充電された電池は使用しなくても徐々に放電します。

極端に高温や低温の状態では、電池の充電能力が低下します。

本来の目的以外にこの電池を使用しないでください。

損傷した充電器または電池を使用しないでください。

夏の閉め切った車中や寒い冬の日など、高温または低温の場所に Nokia Wireless Boom Headset HS-4W を放置しておく、電池の容量と寿命が短くなります。電池は常に出来るだけ適温 (約15°C ~ 25°C) で保管するようにしてください。Nokia Wireless Boom Headset HS-4W の電池が高温または低温状態の場合、完全に充電されていても取り付けたときに一時的に Nokia Wireless Boom Headset HS-4W が動作しない場合があります。0 °C 以下では、電池の性能が著しく制限されます。

## お手入れとメンテナンス

---

ヘッドセットの製造には、優れたデザインと技術が採用されています。お取り扱いには十分ご注意ください。次の注意事項をお読みになり、保証義務をお守りいただき、末永く本製品をご利用ください。

- 本製品・アクセサリー類は、小さなお子様の手の届く所に置かないでください。
- Nokia Wireless Boom Headset HS-4W を湿気のある場所に置かないでください。雨水、湿気、および液体はミネラルを含み、電気回路を腐食させます。
- Nokia Wireless Boom Headset HS-4W をほこりが多く、清潔でない場所で使用または保管しないでください。可動部が損傷することがあります。
- Nokia Wireless Boom Headset HS-4W を高温の場所で保管しないでください。高温状態では、電子機器の寿命を短くするだけでなく、電池が損傷したり、特定のプラスチック部品が変形したり、溶けたりする原因となります。
- Nokia Wireless Boom Headset HS-4W を低温の場所で保管しないでください。Nokia Wireless Boom Headset HS-4W を通常の温度まで温めると、本体の内部に結露が発生し、電気回路基板に損傷をきたすことがあります。
- Nokia Wireless Boom Headset HS-4W を分解しないでください。資格を有するスタッフ以外の方が装置を取り扱うと、損傷の原因となることがあります。
- Nokia Wireless Boom Headset HS-4W を落としたり、たたいたり、振ったりしないでください。手荒に取り扱うと、内部の回路基板が損傷する場合があります。

- Nokia Wireless Boom Headset HS-4W のお手入れをする場合、刺激の強い化学薬品、洗濯用溶剤、または強力な洗剤を使用しないでください。
- Nokia Wireless Boom Headset HS-4W を塗装しないでください。塗装すると装置の可動部を詰まらせ、適切に動作しなくなることがあります。



## Free Manuals Download Website

<http://myh66.com>

<http://usermanuals.us>

<http://www.somanuals.com>

<http://www.4manuals.cc>

<http://www.manual-lib.com>

<http://www.404manual.com>

<http://www.luxmanual.com>

<http://aubethermostatmanual.com>

Golf course search by state

<http://golfingnear.com>

Email search by domain

<http://emailbydomain.com>

Auto manuals search

<http://auto.somanuals.com>

TV manuals search

<http://tv.somanuals.com>