

REMINGTON®

18 VOLT CORDLESS BLOWER/SWEEPER OWNER'S MANUAL

ENGLISH



MODEL:BB18125A

IMPORTANT: Read and understand this manual before assembling or operating this appliance. Improper use of this appliance can cause severe injury or death. Keep this manual for future reference.



DO NOT RETURN PRODUCT TO STORE.

CALL 1-800-626-2237 FOR TECHNICAL ASSISTANCE

For more information, visit www.remingtonpowertools.com

This manual is your guide to safe and proper operation of the trimmer

SAVE THESE INSTRUCTIONS.

Keep your purchase receipt for warranty coverage.

NO DEVUELVA EL PRODUCTO A LA TIENDA

PARA AYUDA TÉCNICA LLAME AL 1-800-626-2237

Para más información, www.remingtonpowertools.com

Este manual es su guía para la operación segura y correcta de la sopladora

GUARDE ESTAS INSTRUCCIONES.

Guarde su recibo de compra para cobertura de la garantía.

NE RETOURNEZ PAS LE PRODUIT AU DÉTAILLANT

FAITES LE 1 800 626-2237 POUR OBTENIR

DE L'ASSISTANCE TECHNIQUE

Pour plus de détails, visitez le www.remingtonpowertools.com

Ce guide a pour but de vous permettre d'utiliser la souffeuse de façon appropriée, en toute sécurité.

CONSERVER CES DIRECTIVES

Conservez votre reçu d'achat pour obtenir le service sous garantie.

CONTENTS

| | |
|--|-----------|
| IMPORTANT SAFETY INFORMATION | 4 |
| Before Operating Blower/Sweeper | 4 |
| While Operating Blower/Sweeper | 4 |
| Maintenance and Storage of Blower/Sweeper..... | 4 |
| PRODUCT IDENTIFICATION | 5 |
| RECHARGEABLE BATTERY | 6 |
| Protective Battery Terminal Cap..... | 6 |
| Charging Battery..... | 7 |
| BLOWER/SWEEPER ASSEMBLY..... | 8 |
| BLOWER/SWEEPER OPERATION | 9 |
| BLOWER/SWEEPER MAINTENANCE..... | 10 |
| Cleaning and Maintenance | 10 |
| Replacement Parts | 10 |
| TECHNICAL SERVICE | 10 |
| TROUBLE SHOOTING..... | 11 |
| WARRANTY INFORMATION..... | 12 |
| PARTS CENTRALS..... | 36 |

Thank you for purchasing this Remington brand 18Volt Cordless Blower/Sweeper. We are proud to offer this quality product to assist you in keeping your property neat and well-groomed.

This owner's manual provides complete instructions for safely assembling, operating, and maintaining your Blower/Sweeper. Read and save these instructions. Refer to this manual each time before using your Blower/Sweeper.

For easy reference, record the information from the carton and Remington brand nameplate label located on the appliance.

This manual is your guide to safe and proper operation of the trimmer.

SAVE THESE INSTRUCTIONS.

If you have a question or problem, CALL TOLL FREE 1-800-626-2237 or visit www.remingtonpowertools.com

IMPORTANT SAFETY INFORMATION

READ ALL INSTRUCTIONS BEFORE OPERATING BLOWER/SWEEPER.

SAFETY WARNINGS

When using an electric appliance, basic precautions should always be followed, including the following:

⚠ WARNING
When using blower, follow all basic safety precautions to reduce the risk of fire, electric shock, and personal injury.

⚠ WARNING
This product contains chemicals known to the State of California to cause cancer or birth defects, or other reproductive harm.

BEFORE OPERATING BLOWER/SWEEPER

1. Avoid Dangerous Environments
 - This blower is intended for outdoor use. Do not operate blower in rain or in damp or wet locations.
 - Do not charge battery in rain or in damp or wet locations.
 - Do not handle blower with wet hands.
 - Do not operate blower if it is damaged or not securely and fully assembled.
2. Do not allow blower to be used as a toy. Pay close attention when using blower near children.
3. Do not use blower for any job except that for which it is intended. Use only as described in this manual. Use only attachments included with this blower.
4. Always wear eye protection that meets or exceeds accepted standards in your country.
5. Wear long pants and shoes when operating this blower.

WHILE OPERATING BLOWER/SWEEPER

1. Stay alert. Watch what you are doing. Use common sense.
2. Keep hair, loose clothing, fingers, and all parts of body away from openings and moving parts.
3. Never operate this blower with defective guards or shields, or without safety devices in place.
4. Use extra care when using blower on stairs.
5. Do not put any object into openings. Do not use with any opening blocked. Keep free of dust, lint, hair, and anything that may reduce air flow.
6. Disconnect blower/vac properly. Turn off all controls before disconnecting blower/vac from power supply.
7. The impeller rotates for a few seconds after turning blower off. The rotating impeller can cut or injure fingers.
8. Do not leave battery in blower. Remove battery when not in use and before servicing.

MAINTENANCE AND STORAGE OF BLOWER/SWEEPER

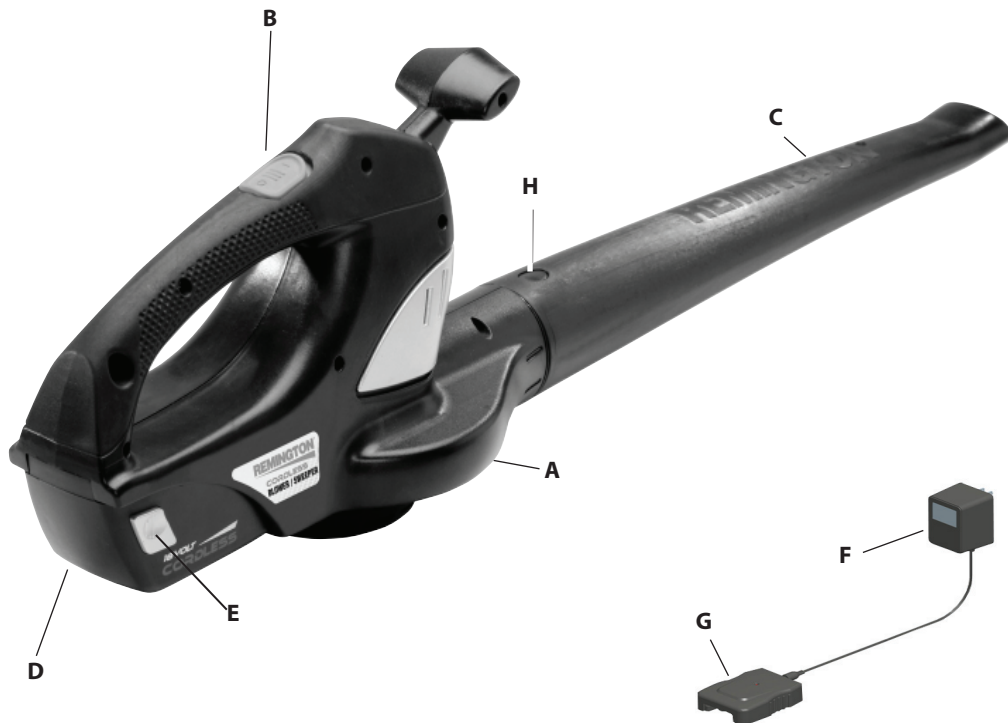
1. Maintain blower with care.
 - If blower is not working properly, has been dropped, damaged, left outdoors, or dropped into water, do not use. Contact DESA Power Tools.
 - Keep handles dry, clean, and free from oil and grease.
2. Check damaged parts.
 - If a part is damaged, carefully check the damaged part before using the blower. Make sure the part will operate properly and perform its intended function.
 - Check for alignment of moving parts, binding of moving parts, breakage of parts, mounting, and any other condition that may affect its operation.
 - A guard or other part that is damaged should be properly repaired or replaced unless indicated elsewhere in this manual.
 - Use only genuine Remington replacement parts and accessories. These are available from your local dealer. Use of any non-Remington parts or accessories could lead to injury to the user, damage to the unit, and void your warranty.
3. Store idle blower indoors. When not in use, store the blower indoors in a dry location. Store blower/sweeper above the reach of children or in a locked area out of the reach of children.

SAVE THESE INSTRUCTIONS

PRODUCT IDENTIFICATION

ENGLISH

- A. Blower Housing
- B. On/Off Switch
- C. Blower Tube
- D. Battery
- E. Battery Release Button
- F. Battery Charger
- G. Charger Base
- H. Tube Release Button



SPECIFICATIONS

| BB18125A | |
|----------------------|-------------------|
| Input | 18 VDC |
| Max. Blower Velocity | 125 mph |
| Net Weight | 5.3 lbs. (2.4 Kg) |

RECHARGEABLE BATTERY

PROTECTIVE BATTERY TERMINAL CAP

WARNING

Do not store or carry battery so that metal objects can contact exposed battery terminals. For example, do not place battery in aprons, pockets, tool boxes, product kit boxes, drawers, etc. with loose nails, screws, keys, etc. without battery cap.

A protective battery terminal cap is provided for use whenever the battery is out of the tool or charger. Remove cap before placing battery in charger or tool.

SAFETY WARNINGS

1. This manual contains important safety and operating instructions.
2. Before using battery charger, read all instructions and cautionary markings on battery charger, battery pack, and product using battery pack.

CAUTION

To reduce the risk of injury, charge only Remington brand batteries. Other types of batteries may burst causing personal injury and damage.

3. Do not expose charger to rain or snow.
4. Use of an attachment not recommended or sold by Remington brand may result in a risk of fire, electric shock, or injury to persons.
5. To reduce risk of damage to electric plug and cord, pull by plug rather than cord when disconnecting charger.

6. An extension cord should not be used unless absolutely necessary. Use of improper extension cord could result in a risk of fire, electric shock or electrocution.
 - a. Two-wire cords can be used with 2-wire or 3-wire extension cords. Only round jacketed extension cords should be used, and we recommend that they be listed by Underwriters Laboratories (U.L.). If the extension is to be used outside, the cord must be suitable for outdoor use. Any cord marked for outdoor use can also be used for indoor work. The letters "W" or "WA" on the cord jacket indicate that the cord is suitable for outdoor use.
 - b. An extension cord must have adequate wire size (AWG or American Wire Gauge) for safety, and to prevent loss of power and overheating. The smaller the gauge number of the wire, the greater the capacity of the cable; that is, 16 gauge has more capacity than 18 gauge. When using more than one extension to make up the total length, be sure each extension contains at least the minimum wire size.
7. Use only the supplied charger (P/N 121397-01) when charging. The use of any other charger could damage the battery or create a hazardous condition.
8. Use only one charger when charging.
9. Use only Remington RB18V1 or RBE18V1 battery packs with this product.
10. Do not attempt to open the charger. There are no customer serviceable parts inside. If damaged, call DESA Power Tools Technical Service.
11. DO NOT incinerate the battery pack even if they are severely damaged or completely worn out. The batteries can explode in a fire.
12. A small leakage of liquid from the battery pack cells may occur under extreme usage, charging, or temperature conditions. This does not indicate a failure. However, if the outer seal is broken and this leakage gets on your skin:
 - Wash quickly with soap and water.
 - Neutralize with a mild acid such as lemon juice or vinegar.
 - If the battery liquid gets in your eyes, flush them with clean water for a minimum of 10 minutes and seek immediate medical attention.

CHART FOR MINIMUM WIRE SIZE (AWG) OF EXTENSION CORDS NAMEPLATE RATING AMPS – 0 – 10.0

| Cord Length | AWG Cord Size |
|-------------|---------------|
| 25 feet | 18 AWG |
| 50 feet | 18 AWG |
| 100 feet | 16 AWG |
| 150 feet | 14 AWG |

MEDICAL NOTE: The liquid is a 25-35% solution of potassium hydroxide.

RECHARGEABLE BATTERY

CHARGING BATTERY

The battery pack is not fully charged at the factory. Before attempting to charge the battery pack, thoroughly read all Safety Instructions.

The charger is designed to use standard household 120 volt 60 Hz power.

1. Plug cord from charger into charger base. (See Figure 1)

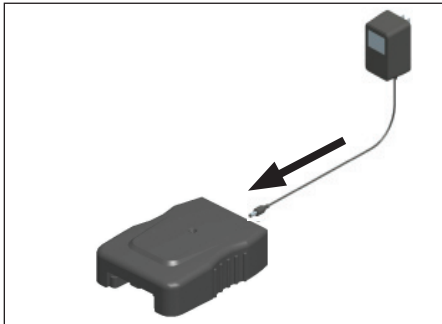


Figure 1 - Plug Charger into Base

2. Plug the charger into any standard 120 Volt 60 Hz electrical outlet. **IMPORTANT:** Do not charge by means of an engine generator or DC power source. Use only 120V AC.
3. Slide the charger onto the battery pack as shown in Figure 2. The LED will light up. Let the battery pack charge until red LED turns off. After the initial charge, under normal usage, your battery pack should be fully charged in 3 to 9 hours.

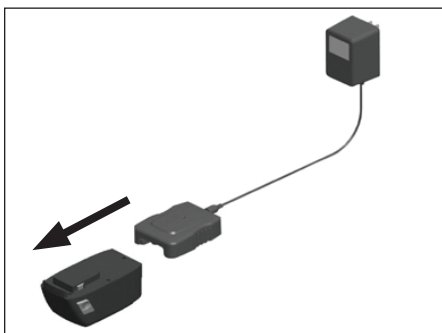


Figure 2 - Sliding Charger onto Battery

4. Unplug charger. Remove the charger by sliding off (See Figure 3).
5. Place the battery pack in the tool and be certain that it is inserted fully into the tool cavity until it "clicks" into place.

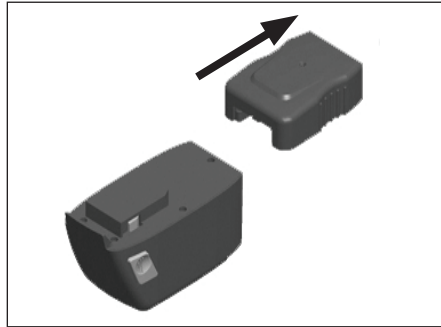


Figure 3 - Remove Charger

IMPORTANT CHARGING NOTES

1. After normal usage, your battery pack should be fully charged in 3 to 9 hours. If the battery pack is run-down completely, it may take up to 9 hours to become fully charged. Your battery pack was sent from the factory in an uncharged condition. For best performance charge battery until red LED turns off. Allow the battery to cool down 30 minutes before charging after using the blower/sweeper. **NOTE:** A hot battery placed in the charger will not charge.
2. **DO NOT** charge the battery pack in an air temperature below 40°F (4,5 °C) or above 105°F (40,5 °C). This is important and will prevent serious damage to the battery pack. Longest life and best performance can be obtained if battery pack is charged when air temperature is about 75°F (24°C).

3. While charging, the charger may hum and become warm to touch. This is a normal condition and does not indicate a problem.
4. If the battery pack does not charge properly
 - Check current at receptacle by plugging in a lamp or other appliance.
 - Check to see if receptacle is connected to a light switch which turns power off when you turn out the lights.
 - Move charger and battery pack to a surrounding air temperature of 40°F (4,5°C) to 105°F (40,5 °C)
 - If the receptacle and temperature are OK, and you do not get proper charging contact DESA Power Tools.
5. The battery pack should be recharged when it fails to produce sufficient power on jobs which were easily done previously. **DO NOT CONTINUE** using product with its battery pack in a depleted condition.
6. To prolong battery life, avoid leaving the battery pack on charger for extended periods of time (over 30 days without use). Although overcharging is not a safety concern, it can significantly reduce overall battery life.
7. The battery pack will reach optimum performance after being cycled 5 times during normal usage. There is no need to run the batteries down completely before recharging. Normal usage is the best method of discharging and recharging the batteries.

BLOWER/SWEEPER ASSEMBLY

ASSEMBLING BLOWER

WARNING

To Reduce The Risk of Personal Injury or Electric Shock –Remove battery from power source before assembling or changing attachments.

ASSEMBLE BLOWER AS INDICATED

Follow the steps below to assemble the blower.

1. Slide the blower tube onto outlet on front of blower/sweeper housing (see Figure 4). Make sure the tube release button engages the tube.



Figure 4 - Sliding blower tube into place

BLOWER/SWEEPER OPERATION

OPERATING THE BLOWER/SWEEPER

IMPORTANT: This blower is for household use only.

⚠ WARNING

Read and understand this owner's manual before operating blower/sweeper. Make certain you read and understand all *Safety Warnings* in this manual. Improper use of this trimmer/edger can result in severe injury or death from fire, electric shock, or body contact with moving parts.

BLOWER OPERATION

⚠ WARNING

The blower can throw debris, causing injury to those nearby.

- Do not blow nails, bolts, rocks, or other hard objects.
- Do not operate blower near bystanders or pets.
- Be careful when blowing debris from stairs, corners, or other tight areas. Objects can be blown back toward operator.
- Wear approved eye protection, long pants, and shoes while operating this blower.



Figure 5 - Holding blower for blower operation



Figure 6 - Operating blower

Properly assemble the blower for blower operation (see page 6, *Assembling Blower/Sweeper*). Follow the steps below to operate the blower.

1. Place fully charged battery in blower.
2. Hold blower using the handle on housing (see Figure 5).
3. When ready to start the blower, slide the switch to the forward position. This is the "I" position. (See Figure 7)
4. To stop the blower, slide the switch to the back position. This is the "O" position. The blower will coast to a stop.

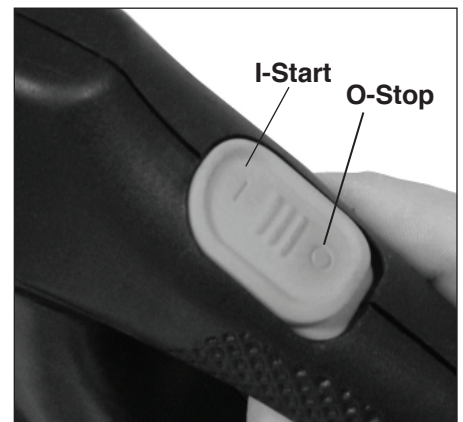


Figure 7 - Turning Blower/Sweeper on and off.

BLOWER/SWEEPER MAINTENANCE

CLEANING AND MAINTENANCE

WARNING

Remove battery before cleaning or servicing. Severe injury or death could occur from fire, electrical shock, or rotating impeller.

WARNING

When cleaning blower/sweeper:

- Do not submerge in any liquids
- Do not use products that contain Ammonia, Chlorine, or abrasives
- Do not use chlorinated cleaning solvents, Carbon Tetrachloride, Kerosene, or Gasoline.

Use a soft cloth dampened with a mild soap and water mixture to wipe blower housing. Do not spray or pour water directly onto blower.

When not in use, store the blower indoors in a dry location.



Figure 8 - Cleaning blower/sweeper housing

WARNING

Use of non-Remington parts or accessories may cause personal injury or damage to the unit.

REPLACEMENT PARTS

- | | |
|-------------------------|-----------|
| 1. Battery | RB18V1 |
| 2. Extended Run Battery | RBE18V1 |
| 3. Battery Charger | 121397-01 |

Optional Accessory

- | | |
|-------------------|--------|
| 1. 1-Hour Charger | RC18V1 |
|-------------------|--------|

For original replacement parts and accessories, contact your nearest Authorized Dealer or Authorized Service Center for this product. If they can not supply the part or accessory, contact your nearest Parts Central listed on page 36. Each Authorized Dealer, Authorized Service Center, and Parts Central is independently owned and operated. You may also order parts from the "Online Outlet" at www.remingtonpowertools.com. If they cannot supply the part contact our customer service department at 1-800-626-2237.

In Canada call 1-800-561-3372 for parts information.

You may also order the parts from the "Online Outlet" at www.remingtonpowertools.com.



BATTERY DISPOSAL AND RECYCLING

This product uses nickel-cadmium batteries. Local, state, or federal laws may prohibit disposal of nickel-cadmium batteries in the ordinary trash.

To help protect the environment and conserve natural resources, please dispose of batteries properly. You may contact your local recycling center for information on where to drop off the batteries.

TECHNICAL SERVICE

You may have further questions about assembling, operating, or maintaining this blower/sweeper. If so, you can visit our Technical Service web site at www.remingtonpowertools.com or contact our Technical Service Department at 1-800-626-2237 (English only). You may also write to:

DESA Power Tools
ATTN: Technical Service
P.O. Box 90004
Bowling Green, KY 42102-9004

When contacting DESA Power Tools, have ready

- Your Name
- Your Address
- Your Phone Number
- Model Number of Product
- Date of Purchase (include copy of receipt for written requests)

Always specify model and serial numbers when writing the factory.

We reserve the right to amend these specifications at any time without notice. The only warranty applicable is our standard written warranty. We make no other warranty, expressed or implied.

TROUBLESHOOTING

⚠ WARNING: Unplug blower/sweeper from power source before servicing. Severe injury or death could occur from fire, electrical shock, or rotating impeller.

Note: For additional help, visit our technical service web site at www.remingtonpowertools.com.

| OBSERVED FAULT | POSSIBLE CAUSE | REMEDY |
|---|--|--|
| Blower does not start when you slide the switch to the "on" position. | <ol style="list-style-type: none"> 1. Battery not installed properly. 2. Battery not charged | <ol style="list-style-type: none"> 1. Verify proper installation of battery. 2. Insure battery is charged per requirements. |
| Battery runs slowly. | <ol style="list-style-type: none"> 1. Battery is nearly depleted. | <ol style="list-style-type: none"> 1. Recharge battery completely. |
| Battery discharges quickly. | <ol style="list-style-type: none"> 1. Battery not fully charged. 2. Battery worn and will not hold a charge. | <ol style="list-style-type: none"> 1. Recharge battery completely. 2. Replace battery. |
| Battery not charging. | <ol style="list-style-type: none"> 1. Charger not plugged in. 2. Battery not fully inserted into charger base. 3. Charger cord not properly connected to charger base. 4. Charger damaged. | <ol style="list-style-type: none"> 1. Plug charger into 120V 60 Hz AC source. 2. Insure battery is inserted correctly in charger base. 3. Insure batter cord is fully in inserted into charger base. 4. Replace charger. |

SAVE THESE INSTRUCTIONS

WARRANTY INFORMATION

REMINGTON BRAND CORDLESS BLOWER/SWEEPER LIMITED WARRANTIES

NEW PRODUCTS

Standard Warranty

DESA Power Tools warrants this new product and any parts thereof to be free from defects in material and workmanship for a period of two (2) years from the date of first purchase from an authorized dealer provided the product has been maintained and operated in accordance with DESA Power Tools' warnings and instructions.

Standard Warranty Battery

DESA Power Tools warrants this new battery and any parts thereof to be free from defects in material and workmanship for a period of six (6) months from the date of first purchase from an authorized dealer provided the product has been maintained and operated in accordance with DESA Power Tools' warnings and instructions.

FACTORY RECONDITIONED PRODUCTS

Limited Warranty

DESA Power Tools warrants factory reconditioned products and any parts thereof to be free from defects in material and workmanship for 90 days from the date of first purchase from an authorized dealer provided the product has been installed, maintained and operated in accordance with DESA Power Tools' warnings and instructions.

TERMS COMMON TO ALL WARRANTIES

The following terms apply to all of the above warranties:

- Always specify model number when contacting the manufacturer. To make a claim under this warranty the bill of sale or other proof of purchase must be presented.
- This warranty is extended only to the original retail purchaser when purchased from an authorized dealer.
- This warranty covers the cost of part(s) required to restore this product to proper operating condition and an allowance for labor when provided by a DESA Power Tools Authorized Service Center. Warranty parts must be obtained through authorized dealers of this product and/or DESA Power Tools who will provide original factory replacement parts. Failure to use original factory replacement parts voids this warranty.
- Travel, handling, transportation, diagnostic, material, labor and incidental costs associated with warranty repairs, unless expressly covered by this warranty, are not reimbursable under this warranty and are the responsibility of the owner.
- Excluded from this warranty are products or parts that fail or become damaged due to misuse, accidents, lack of proper maintenance, tampering, or alterations.
- Excluded from this warranty are products purchased for commercial, industrial or rental usage.
- This is DESA Power Tools' exclusive warranty, and to the full extent allowed by law; this express warranty excludes any and all other warranties, express or implied, written or verbal and limits the duration of any and all implied warranties, including warranties of merchantability and fitness for a particular purpose to two (2) years on new products, six (6) months on batteries and 90 days on factory reconditioned products from the date of first purchase. DESA Power Tools makes no other warranties regarding this product.
- DESA Power Tools' liability is limited to the purchase price of the product, and DESA Power Tools shall not be liable for any other damages whatsoever under any circumstances including indirect, incidental, or consequential damages.
- Some states do not allow limitations on how long an implied warranty lasts or the exclusion or limitation of incidental or consequential damages, so the above limitation or exclusion may not apply to you.
- This warranty gives you specific legal rights, and you may also have other rights which vary from state to state.

For information about this warranty contact:



P.O. Box 90004
Bowling Green, KY 42102-9004
www.remingtonpowertools.com
1-800-626-2237 English Only

| |
|----------------------|
| Model _____ |
| Date Purchased _____ |



82 Akron Road
Toronto, Ontario
M8W 1T2
1-800-561-3372
Fax: 1-800-561-8003

REMINGTON®

SOPLADORA/BARREDORA INALÁMBRICA DE 18 VOLTIOS OWNER'S MANUAL



MODELO:BB18125A

IMPORTANTE: Lea y entienda este manual antes de ensamblar u operar esta podadora. El uso incorrecto de esta podadora puede causar una lesión severa o la muerte. Guarde este manual como referencia para el futuro.

ESPAÑOL

EL CONTENIDO

| | |
|--|-----------|
| IMPORTANTE INFORMACIÓN SOBRE LA SEGURIDAD..... | 15 |
| Antes de Suar la Sopladora/Barredora | 15 |
| Mientras Use la Sopladora/Barredora..... | 15 |
| Manatenimiento Y Al Macenamamiento de la Sopladora/Barredora | 15 |
| IDENTIFICAIÓN DEL PRODUCTO | 16 |
| BATERÍA RECARGABLE. | 17 |
| Tapa protectora del terminal de la batería..... | 17 |
| Carga de batería..... | 18 |
| ENSAMBLE DE LA SOPLADORA/BARREDORA | 19 |
| OPERACIÓN DE LA SOPLADORA/BARREDORA..... | 20 |
| MANTENIMIENTO DE LA SOPLADORA/BARREDORA | 21 |
| Limpieza y Mantenimiento. | 21 |
| Carrete de repuesto..... | 21 |
| ELIMINACIÓN Y RECICLAJE DE BATERÍAS | 21 |
| SERVICIO TÉCNICO | 21 |
| ANÁLISIS DE AVERÍAS | 22 |
| INFORMACIÓN SOBRE LA GARANTÍA | 23 |
| CENTRAL DE PIEZAS | 36 |

Gracias por comprar esta sopladora/barredora inalámbrica de 18 voltios marca Remington.. Tenemos el orgullo de ofrecerle este producto de calidad para ayudarle a mantener su establecimiento limpio y bien mantenido.

Este manual le ofrece instrucciones completas para el ensamble, operación y mantenimiento seguros de su sopladora/barredora. Lea y guarde estas instrucciones. Remítase a este manual cada vez que use su sopladora/barredora.

Para una fácil referencia, registre la información del cartón y de la etiqueta de la placa de de la marca de Remington colocada en la herramienta.

Este manual es su guía para la operación segura y correcta de la sopladora/barredora

GUARDE ESTAS INSTRUCCIONES

Si tiene alguna pregunta o problema LLAME A LA LÍNEA GRATIS 1-800-626-2237 (sólo inglés) o visite www.remingtonpowertools.com

IMPORTANTE INFORMACIÓN SOBRE LA SEGURIDAD

LEA TODAS LAS INSTRUCCIONES ANTES DE USAR LA SOPLADORA/BARREDORA

ADVERTENCIAS DE SEGURIDAD

ADVERTENCIA

Quando utilice la sopladora/aspiradora siga todas las precauciones de seguridad básicas para reducir el riesgo de incendio, sacudida eléctrica y lesión personal.

ADVERTENCIA

Este producto contiene sustancias químicas conocidas en el Estado de California como causas de cáncer, de defectos congénitos o de otros daños de reproducción.

ANTES DE OPERAR LA SOPLADORA/BARREDORA

1. Evite ambientes peligrosos
 - Esta sopladora está hecha para uso bajo techo o a la intemperie. No opere la sopladora bajo la lluvia o en lugares húmedos o mojados
 - No cargue la batería bajo la lluvia ni en sitios húmedos o mojados.
 - No manipule la sopladora con manos mojadas.
 - No opere la sopladora si está dañada, mal ensamblada o ensamblada a medias.
2. No permita que se use la sopladora como juguete. Preste mucha atención cuando use la sopladora cerca de niños.
3. No use la sopladora para ningún trabajo que no sea para el que fue diseñada. Use sólo como se indica en este manual. Use sólo los accesorios incluidos con la sopladora.
4. Use siempre protección visual que cumpla los estándares aceptados en su país.
5. Use pantalones largos y zapatos cuando use esta sopladora.

MIENTRAS OPERE LA SOPLADORA/BARREDORA

1. Esté alerta. Observe lo que está haciendo. Use el sentido común.
2. Mantenga el pelo, ropas flojas, dedos y todas las partes de su cuerpo lejos de las aberturas y piezas móviles.
3. Nunca opere esta sopladora con las protecciones o defensas defectuosas o sin los dispositivos de seguridad colocados.
4. Tenga más cuidado cuando use la sopladora en escaleras.
5. No ponga ningún objeto en las aberturas. No use si hay aberturas bloqueadas. Manténgala sin polvo, pelusa, pelo o cualquier cosa que pueda reducir el flujo de aire.
8. Desconecte correctamente la sopladora. Apague todos los controles antes de desconectar la sopladora/aspiradora de la fuente de alimentación.
7. El impulsor sigue girando unos pocos segundos después de desconectar la sopladora/aspiradora. El impulsor giratorio puede cortar o lesionar los dedos.
8. No deje la batería en la sopladora. Quite la batería cuando no la use y antes de darle servicio.

MANTENIMIENTO Y ALMACENAMIENTO DE LA SOPLADORA/BARREDORA

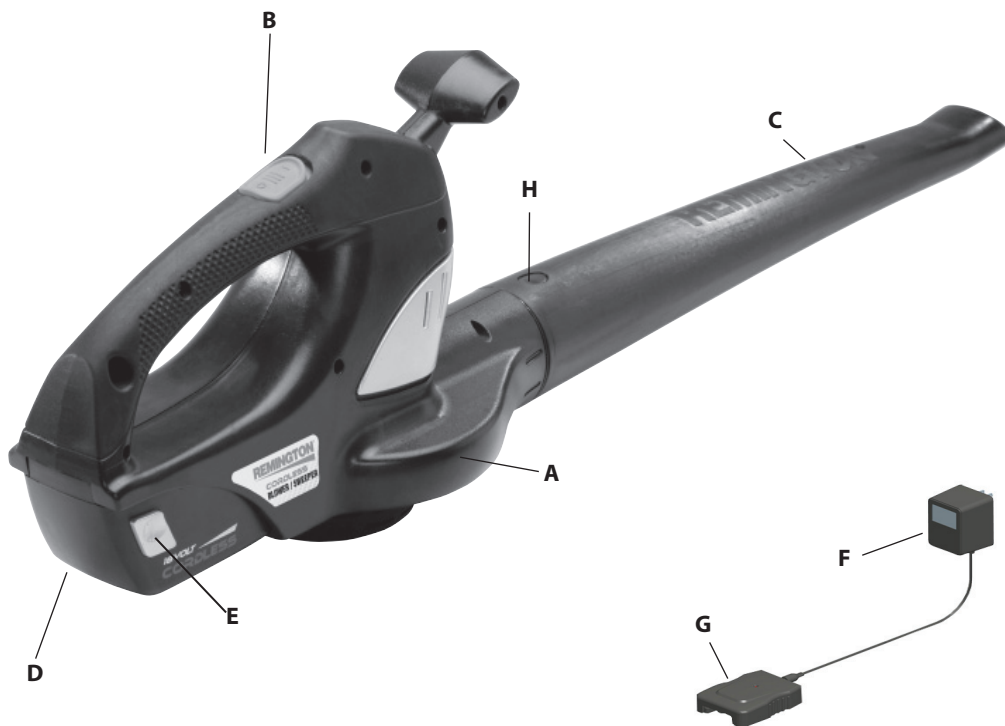
1. Haga con cuidado el mantenimiento de la sopladora/aspiradora.
 - No use la sopladora si no funciona correctamente, se ha caído, dañado, se le dejó a la intemperie o se cayó al agua. Póngase en contacto con DESA Power Tools.
 - Mantenga las agarraderas secas, limpias y sin aceite ni grasa.
2. Revise las piezas dañadas
 - Si una pieza está dañada, revise con cuidado la pieza antes de usar la sopladora. Asegúrese que la pieza opere correctamente y desempeñe su función designada.
 - Revise la alineación de las piezas móviles, atascamiento de las piezas móviles, rotura de las piezas, montaje, o cualquier otra condición que puede afectar su operación.
 - Un protector o cualquier otra parte dañada debe ser reparada correctamente o cambiada a no ser que se indique otra cosa en este manual.
 - Use solo piezas de repuestos y accesorios Remington genuinos. Los puede encontrar en su concesionario local. El uso de piezas o accesorios que no sean de Remington® pueden causar lesión al usuario, daño a la unidad y anular la garantía.
3. Guarde la sopladora inactiva bajo techo. Cuando no la use guárdela en un sitio seco y bajo techo. Guarde la sopladora/aspiradora por arriba del alcance de los niños o en un lugar bajo llave fuera del alcance de los niños.

GUARDE ESTAS INSTRUCCIONES

ESPAÑOL

IDENTIFICAIÓN DEL PRODUCTO

- A. Carcasa de la sopladora
- B. Interruptor de ENCENDIDO/APAGADO
- C. Tubo de la sopladora
- D. Batería
- E. Botón de desenganche de la batería
- F. Cargador de la batería
- G. Base del cargador
- H. Disparado de tubo



ESPECIFICACIONES

| BB18125A | |
|----------------------------------|-------------------|
| Alimentación | 18 VDC |
| Velocidad máxima de la sopladora | 125 mph |
| Peso neto | 5.3 lbs. (2.4 Kg) |

BATERÍA RECARGABLE

TAPA PROTECTORA DEL TERMINAL DE LA BATERÍA

⚠️ ADVERTENCIA

No guarde ni lleve la batería de tal forma que los objetos de metal hagan contacto con los terminales de la batería. Por ejemplo, no ponga la batería en delantales, bolsillos, cajas de herramientas, cajas de juegos del producto, gavetas, etc. con clavos sueltos, tornillos, llaves, joyas, etc., sin la tapa de la batería. La batería o el conductor puede sobrecalentarse y producir quemaduras.

Se provee una tapa de protección para el terminal de la batería para usarla siempre que la batería esté fuera de la herramienta o del cargador. Retire la tapa antes de colocar la batería en el cargador o en la herramienta.

1. Este manual contiene instrucciones importantes sobre seguridad y operación.

⚠️ PRECAUCIÓN

Para reducir el riesgo de una lesión, cargue sólo baterías marca Remington. Otros tipos de baterías pueden reventarse causando lesiones personales y daños.

2. Antes de usar el cargador de la batería, lea todas las instrucciones y señales de precaución del cargador, paquete de batería, y del producto que se usa con este paquete.
3. No exponga el cargador a la lluvia o nieve.
4. El uso de un accesorio no recomendado o vendido por la marca Remington puede representar un riesgo de incendio, sacudida eléctrica o lesiones a personas.
5. Para reducir el riesgo de daños al enchufe y cable eléctricos, hale del enchufe en lugar de hacerlo del cable cuando desconecte el cargador.

6. No se debería usar un cable de extensión a no ser que sea muy necesario. El uso de un cordón de extensión inadecuado puede representar un peligro de incendio, sacudida eléctrica o lesión.
 - a. Los cordones de dos conductores pueden usarse con cordones de extensión de 2 o 3 conductores. Sólo debe usarse cordones de extensión de forro redondo, y recomendamos que lleven la catalogación UL (Underwriters Laboratories). Si la extensión se va a usar a la intemperie, esta debe ser adecuada para este fin. Cualquier cordón marcado para uso a la intemperie puede usarse bajo techo. Las letras "W" ó "WA" impresas en el forro indican que el cordón es adecuado para usarse a la intemperie.
 - b. Un cordón de extensión debe tener por seguridad el tamaño adecuado (AWG ó American Wire Gauge- calibre americano de cables) para prevenir pérdida de potencia y sobrecalentamiento. Mientras más pequeño es el número del calibre del conductor mayor es la capacidad del cable; así un calibre 16 tiene mayor capacidad que el 18. Cuando use más de una extensión para formar la longitud total, asegúrese que cada extensión tiene al menos el tamaño mínimo del conductor.
7. Cuando cargue use sólo el cargador provisto. (P/N 121397-01). El uso de otro cargador podría dañar la batería o crear una condición peligrosa.
8. Cuando cargue use sólo un cargador..
9. Use solo paquetes de batería Remington RB18V1 o RBE18V1 con este producto.
10. No trate de abrir el cargador. No hay piezas a las que el cliente pueda darles servicio. Devuélvalo a cualquier centro autorizado.
11. **NO QUEME** el paquete de batería incluso si tiene mucho daño o está completamente inservible. Las baterías pueden explotar en el fuego.
12. Puede haber un pequeño goteo de líquido de las celdas del paquete de baterías bajo condiciones extremas de uso, recargo o temperatura. Esto no indica una falla. Sin embargo, si el sello externo está roto y este goteo hace contacto con su piel:
 - Lave rápidamente con agua y jabón.
 - Neutralice con ácido suave como jugo de limón o vinagre.
 - Si el líquido de la batería entra en sus ojos, lávelos con flujo de agua limpia por al menos 10 minutos y busque atención médica inmediata.
13. **NO abra ni dañe las baterías.** El electrolito escapado es corrosivo y puede hacer daño a los ojos y a la piel. Puede ser tóxico si se lo traga.

LA TABLA DE TAMAÑOS (AWG) MÍNIMOS DE CONDUCTORES PARA CORDONES DE EXTENSIÓN. AMPERIOS NOMINALES DE LA PLACA DE DATOS – 0 – 10.0

| Largo del cordón | Tamaño AWG del cordón |
|------------------|-----------------------|
| 25 pies | 18 AWG |
| 50 pies | 16 AWG |
| 100 pies | 16 AWG |
| 150 pies | 14 AWG |

NOTA MÉDICA: El líquido es una solución de hidróxido de potasio al 25-30%

BATERÍA RECARGABLE

CARGA DE BATERÍA

El paquete de baterías no viene completamente cargado de fábrica. Antes de intentar cargar el paquete de baterías, lea completamente todas las instrucciones de seguridad.

El cargador está diseñado para usar alimentación estándar casera de 120 voltios y 60 Hz.

1. Enchufe el cordón del cargador en la base del cargador (vea la Figura 1)

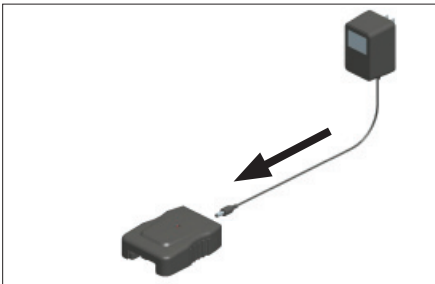


Figura 1 - Enchufe el cargador en la base

2. Enchufe el cargador en cualquier toma-corriente estándar de 120 voltios y 60 Hz. Importante: No cargue con un moto-generador ni con una fuente de CC (corriente continua). Use sólo 120V de CA.
3. Deslice el cargador en el paquete de baterías como se muestra en la figura 2. Deje que el paquete de baterías se cargue hasta que el LED rojo se apague. Luego de la carga inicial, bajo uso normal, su paquete de baterías debería estar completamente cargado de 3 a 9 horas.

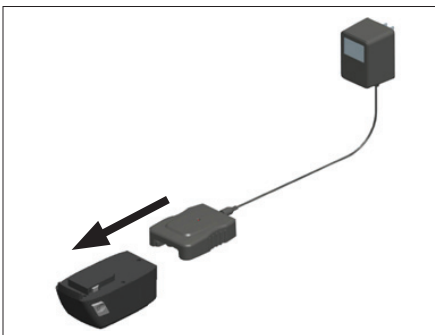


Figura 2 - Deslizando el cargador sobre la batería

4. Desenchufe el cargador. Retire el paquete de baterías deslizándolo hacia fuera (vea la Figura 3).
5. Coloque el paquete de baterías en la herramienta y esté seguro de haberlo insertado completamente en la cavidad de la herramienta hasta ponerlo en su sitio con un "clic".

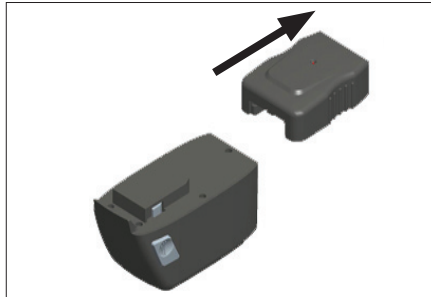


Figura 3 - Quite el cargador

NOTAS IMPORTANTES PARA CARGAR

1. Luego de un uso normal, su paquete de baterías debe ser completamente cargado en 3-9 horas. Si el paquete de baterías está completamente agotado, puede necesitar hasta 9 horas para cargarse completamente. Su paquete de baterías fue enviado descargado de fábrica. Para un mejor rendimiento cargue la batería hasta que el LED rojo se apague. Luego de usar la podadora deje que la batería se enfríe unos 30 minutos antes de cargarla. NOTA: Si pone una batería caliente en el cargador no se cargará.
2. NO cargue el paquete de baterías a una temperatura ambiente por debajo de los 40°F (4,5 °C) o por encima de 105°F (40,5°C). Esto es importante para evitar graves daños al paquete de baterías. Se pueden conseguir una vida más larga y el mejor rendimiento si el paquete de baterías se lo carga a una temperatura ambiente de cerca de 75° (24°).
3. Mientras carga, el cargador puede zumbear o volverse caliente al tacto. Esto es normal y no indica ningún problema.

4. Si el paquete de baterías no se carga correctamente:

- Revise que haya corriente en el enchufe enchufando una lámpara u otro artefacto.
- Revise que haya corriente en el enchufe enchufando una lámpara u otro artefacto.
- Mueva el cargador y el paquete de la batería donde la temperatura ambiente esté entre 40°F(4,5°C) y 105°F (40,5°C).
- Si el receptáculo y la temperatura están bien y usted no consigue una carga apropiada, comuníquese con DESA Power Tools

5. El paquete de baterías debe recargarse cuando ya no produce suficiente energía en los trabajos donde antes lo hacía fácilmente. NO SIGA usando el producto con su paquete de baterías envejecido.
6. Para prolongar la vida de la batería, evite dejar el paquete de la batería en el cargador por mucho tiempo (más de 30 días sin uso). Aunque la sobrecarga no sea una preocupación de seguridad, puede reducir significativamente la vida total de la batería.
7. El paquete de baterías puede alcanzar su desempeño óptimo luego de su 5ta carga en funcionamiento normal. No hay necesidad de agotarla completamente antes de recargarla. El uso normal es el mejor método de descarga y carga de la batería.

ENSAMBLE DE LA SOPLADORA/BARREDORA

ENSAMBLE DE LA SOPLADORA

⚠ ADVERTENCIA

Para reducir el riesgo de lesiones personales o de sacudida eléctrica - Retire la batería de la fuente de alimentación antes de ensamblar o cambiar los accesorios.



Figura 4 - Inserción del tubo de la sopladora en su sitio

ENSAMBLE LA SOPLADORA COMO SE INDICA

Siga el paso abajo para reunir la sopladora.

1. Deslice el tubo de la sopladora sobre la salida de la parte frontal de la caja de la sopladora/barredora (vea la Figura 4). Esté seguro que el botón de desenganche del tubo enganche con el tubo.

OPERACIÓN DE LA SOPLADORA/BARRESDORA

OPERACIÓN DE LA SOPLADORA/BARRESDORA

IMPORTANTE: Esta sopladora es sólo para uso doméstico.

⚠ ADVERTENCIA

Lea y entienda este manual del propietario antes de operar la sopladora/aspiradora. Asegúrese de leer y entender todas las *Advertencias de Seguridad* de este manual. El uso incorrecto de esta sopladora/aspiradora puede causar graves lesiones o la muerte por incendio, sacudida eléctrica, o contacto corporal con las piezas móviles.

OPERACIÓN COMO SOPLADORA

⚠ ADVERTENCIA

La sopladora puede lanzar desechos, lesionando a los que están cerca.

- No sople sobre clavos, pernos, piedras u otros objetos duros.
- No opere la sopladora cerca de curiosos o de mascotas.
- Sea cuidadoso cuando sople en escaleras, esquinas u otros lugares estrechos. Los objetos pueden volar hacia el operador.
- Use protección visual aprobada, pantalones largos y zapatos mientras opere esta sopladora.



Figura 5 - Sosteniendo la sopladora/aspiradora para que opere como sopladora



Figura 6 - Operando la sopladora

Ensamble correctamente la sopladora para que funcione como sopladora (vea *Ensamble de la sopladora*). Siga los siguientes pasos para operar la sopladora.

1. Coloque en el soplador la batería completamente cargada.
2. Sostenga la sopladora usando el mango de la caja (vea la Figura 5).
3. Cuando esté listo para arrancar la sopladora, deslice el interruptor a la posición adelante. Esta es la posición "I" (vea la Figura 7)
4. Para detener la sopladora, conmute el interruptor ENCENDI, deslice el interruptor a la posición de atrás. Esta es la posición "On". La sopladora seguirá girando hasta detenerse

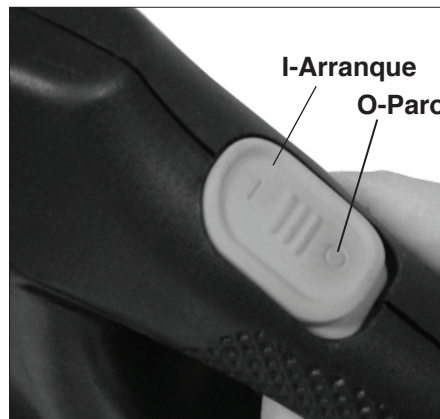


Figura 7 - Apagado y prendido de la sopladora/barredora.

MANTENIMIENTO DE LA SOPLADORA/BARREDORA

LIMPIEZA Y MANTENIMIENTO

⚠️ ADVERTENCIA

Retire la batería antes de limpiarla o darle servicio. Pueden ocurrir graves lesiones o la muerte debidos a incendios, sacudidas eléctricas o al impulsor giratorio.

⚠️ ADVERTENCIA

Cuando limpie la sopladora/aspiradora:

- No la sumerja en ningún líquido
- No use productos que contengan amoníaco, cloro o abrasivos
- No use solventes clorados de limpieza, tetracloruro de carbono, queroseno o gasolina.

Use un paño suave humedecido con una mezcla de agua y jabón suave para refregar la carcasa de la sopladora/aspiradora. No rocíe ni vierta directamente agua sobre la sopladora.

Cuando no la use, guarde la sopladora en un sitio seco y bajo techo.



Figura 8- Cleaning blower/sweeper housing

⚠️ ADVERTENCIA

El uso de repuestos o accesorios que no son de Remington pueden provocar lesiones personales o daños a la unidad.

CARRETE DE REPUESTO

- | | |
|---------------------------|-----------|
| 1. Batería | RB18V1 |
| 2. Batería Extendido | RBE18V1 |
| 3. Cargador de la batería | 121397-01 |

OPTIONAL ACCESSORY

- | | |
|-----------------------|--------|
| 1. Cargador de 1 hora | RC18V1 |
|-----------------------|--------|

Para accesorios y piezas de repuesto originales llame al Distribuidor Autorizado o al Centro Autorizado de Servicio para este producto. Si ellos no tienen la pieza o accesorio, llame a la Central de Piezas más cercana a usted que se lista en la página 36. Cada Distribuidor Autorizado, Centro Autorizado de Servicio y Central de Piezas es y opera independientemente. Puede también solicitar piezas en la "tienda virtual" en www.remingtonpowertools.com.

Si ellos no pueden proveerle los repuestos, póngase en contacto con el departamento de servicio al cliente llamado al 1-800-626-2237.

En el Canadá llame al 1-800-561-3372 para obtener información sobre las piezas.



ELIMINACIÓN Y RECICLAJE DE BATERÍAS

Este producto utiliza baterías de níquel-cadmio. Las leyes locales, estatales o federales pueden prohibir botar las baterías de níquel cadmio en la basura regular

Para ayudar a proteger el medioambiente y conservar los recursos naturales por favor deseche las baterías en la forma apropiada. Usted puede comunicarse con el centro local de reciclaje para recibir información sobre dónde dejar las baterías,

SERVICIO TÉCNICO

Usted puede tener más preguntas sobre cómo ensamblar, utilizar o mantener este producto. Si es así, usted puede visitar nuestro sitio Web de servicio técnico en www.remingtonpowertools.com o llamar al departamento de servicio técnico al 1-800-626-2237 (sólo en inglés).

Usted puede también escribir a:

DESA Power Tools

ATTN: Technical Service

P.O. Box 90004

Bowling Green, KY 42102-9004

Cuando llame a DESA Power Tools tenga listo:

- Su nombre
- Su dirección
- Su número de teléfono
- El número de modelo del producto
- Fecha de compra (incluya un copia del recibo para solicitudes por escrito).

Especifique siempre el número de modelo y el número de serie al escribir a la fábrica.

DESA Power Tools se reserva el derecho de enmendar estas especificaciones en cualquier momento sin previo aviso. La única garantía aplicable es nuestra garantía estándar escrita. No ofrecemos ninguna otra garantía expresa o implícita.

ANÁLISIS DE AVERÍAS

⚠ ADVERTENCIA Retire la batería antes de limpiarla o darle servicio. Pueden ocurrir graves lesiones o la muerte debidas a incendios, sacudida eléctrica o a las cuchillas cortadoras móviles.

Nota: Para más ayuda visite nuestro sitio web para servicio técnico en www.remingtonpowertools.com.

| FALLA OBSERVADA | CAUSA POSIBLE | SOLUCIÓN |
|--|--|--|
| La sopladora no arranca cuando pone el interruptor en la posición "on" | <ol style="list-style-type: none">1. La batería no está bien instalada2. La batería no está cargada | <ol style="list-style-type: none">1. Verifique que la batería esté bien instalada.2. Asegúrese que la batería esté cargada según los requisitos |
| La batería funciona lentamente | <ol style="list-style-type: none">1. La batería está casi descargada por completo | <ol style="list-style-type: none">1. Recargue completamente la batería |
| La batería se descarga rápidamente | <ol style="list-style-type: none">1. La batería no está cargada por completo.2. Batería desgastada y no toma carga | <ol style="list-style-type: none">1. Recargue completamente la batería.2. Reemplace la batería |
| La batería no se está cargando | <ol style="list-style-type: none">1. El cargador no está enchufado.2. La batería no está insertada por completo en la base del cargador3. El cordón del cargador no está conectado correctamente a la base del cargador.4. Cargador dañado. | <ol style="list-style-type: none">1. Enchufe el cargador en una fuente de CA de 120V 60HZ2. Asegúrese que la batería esté insertada correctamente en la base del cargador.3. Asegúrese que la batería esté insertada correctamente en la base del cargador.4. Cambie el cargador. |

GUARDE ESTAS INSTRUCCIONES

INFORMACIÓN DE GARANTÍA

SOPLADORA/BARREDORA MARCA REMINGTON DE 18 VOLTIOS

GARANTÍAS LIMITADAS

NUEVOS PRODUCTOS

Garantía Estándar

DESA Power Tools garantiza, por un período de dos (2) años a partir de la fecha de la primera compra en un distribuidor autorizado y a condición que el producto ha sido mantenido y operado siguiendo las advertencias e instrucciones de DESA Power Tools, que este nuevo producto y cualquiera de sus partes están sin defectos en material o mano de obra.

Garantía Estándar de la Batería

DESA Power Tools garantiza, por un período de seis (6) meses a partir de la fecha de la primera compra en un distribuidor autorizado y a condición que el producto ha sido mantenido y operado siguiendo las advertencias e instrucciones de DESA Power Tools, que esta nueva batería y cualquiera de sus partes están sin defectos en material o mano de obra.

PRODUCTOS RECONDICIONADOS EN FÁBRICA

Garantía Limitada

DESA Power Tools garantiza que los productos recondicionados en fábrica y todas sus partes no presentan defectos en sus materiales ni en su fabricación durante 90 días a partir de la fecha de primera compra en un concesionario autorizado, siempre y cuando el producto haya sido utilizado y mantenido debidamente de acuerdo con todas las advertencias e instrucciones de DESA Power Tools.

CONDICIONES COMUNES A TODAS LAS GARANTÍAS

Las siguientes condiciones se aplican a todas las garantías susodichas:

- Especifique siempre el número del modelo cuando se comunique con el fabricante. Para hacer un reclamo según la garantía debe presentarse la factura o el comprobante de compra.
- Esta garantía se extiende solamente al comprador minorista original cuando la compra se hizo en un concesionario autorizado.
- Esta garantía cubre el costo de la(s) pieza(s) requerida(s) para restaurar este producto a sus condiciones adecuadas de funcionamiento y una asignación monetaria por mano de obra cuando así lo ofrezca el Centro de Servicio Autorizado de DESA Power Tools. Las piezas bajo garantía deben obtenerse por medio de concesionarios autorizados para este producto y/o DESA Power Tools quienes le proveerán de piezas de repuesto originales de fábrica. El uso de piezas de repuesto que no sean originales de fábrica anula la validez de esta garantía.
- Los costos de traslado, embalaje, transporte, diagnósticos, material, mano de obra y otros costos incidentales relacionados con las reparaciones según la garantía, a no ser que estén expresamente cubiertas por esta garantía, no son reembolsables bajo esta garantía y son responsabilidad del propietario.
- Se excluyen de esta garantía los productos o piezas de repuesto que fallan o se vuelven defectuosos como consecuencia del uso indebido, accidentes, falta de mantenimiento adecuado, modificación o alteración indebida.
- Se excluyen de esta garantía los productos comprados para uso comercial, industrial o de alquiler.
- Esta es la garantía exclusiva de DESA Power Tools, y de acuerdo a todo lo que permite la ley; esta garantía expresa excluye cualquier otra garantía, expresa o implícita, escrita o verbal y limita la duración de cualquiera y de todas las garantías implícitas, incluyendo las garantías de comerciabilidad o las que se adaptan a un propósito particular a dos (2) años para nuevos productos, seis (6) meses para baterías y 90 días para los productos reacondicionados en fábrica desde la fecha de la primera compra. DESA Power Tools no ofrece otras garantías sobre este producto.
- La responsabilidad de DESA Power Tools' se limitará al precio de compra del producto, y DESA Power Tools no será responsable de ningún otro daño, bajo ninguna circunstancia, inclusive por daños indirectos, incidentales o de consecuencia.
- Algunos estados estadounidenses no permiten limitar la duración de una garantía implícita o excluir o limitar los daños incidentales o de consecuencia, de modo que es posible que la limitación de daños arriba enunciada no se aplique a su caso.
- Esta garantía le brinda derechos específicos legales, y usted puede también tener otros derechos que varían de un estado a otro.

Para información acerca de esta garantía comuníquese con:



P.O. Box 90004
Bowling Green, KY 42102-9004
www.remingtonpowertools.com
1-800-626-2237 English Only

Modelo _____

Fecha de compra _____



82 Akron Road
Toronto, Ontario
M8W 1T2
1-800-561-3372
Fax: 1-800-561-8003

ESPAÑOL

REMINGTON®

SOUFFLEUSE/BALAYEUSE SANS FIL 18V GUIDE DU PROPRIÉTAIRE



MODÈLE: BB18125A

IMPORTANT: Vous devez bien lire et comprendre ce guide avant de débiter l'assemblage ou l'utilisation de cet outil. Toute utilisation non appropriée de l'outil pourrait entraîner de graves blessures, voire le décès. Conservez ce guide à titre de référence.

FRANÇAIS

TABLE DES MATIÈRES

| | |
|--|-----------|
| IMPORTANTES RENSEIGNEMENTS DE SÉCURITÉ..... | 27 |
| Avant l'utilisation du souffleur/balayeuse | 27 |
| Pendant l'utilisation du souffleur/balayeuse | 27 |
| Entretien et entreposage du souffleur/balayeuse..... | 27 |
| IDENTIFICATION DU PRODUIT..... | 28 |
| PILE RECHARGEABLE. | 29 |
| Capuchon de protection des bornes de la pile..... | 29 |
| Recharge de la pile..... | 30 |
| ASSEMBLAGE DE LA SOUFFLEUSE/BAYALEUSE..... | 31 |
| UTILISATION DU SOUFFLEUSE/BAYALEUSE | 32 |
| ENTRETIEN DU SOUFFLEUSE/BAYALEUSE | 33 |
| Entretien et nettoyage..... | 33 |
| Pièces de rechange | 33 |
| SERVICE TECHNIQUE..... | 33 |
| DÉPANNAGE..... | 34 |
| INFORMATION SUR LA GARANTIE | 35 |
| DÉPÔT DE PIÈCES..... | 36 |

Merci d'avoir acheté cette souffleur/balayeuse Remington 18 V. Nous sommes fiers de vous offrir ce produit de qualité pour vous aider à effectuer l'entretien de votre propriété.

Ce guide du propriétaire comprend des directives complètes pour l'assemblage, l'utilisation et l'entretien sécuritaires de votre balayeuse/souffleur. Lisez et conservez ces directives. Consultez toujours le guide avant d'utiliser votre balayeuse/souffleur.

Pour faciliter toute référence, prenez en note l'information inscrite sur l'emballage et sur la plaque signalétique Remington apposée sur l'outil.

Ce guide vous aidera à utiliser votre souffleur/balayeuse appropriée et en toute sécurité.

CONSERVEZ CES DIRECTIVES.

Pour toute question ou problème, FAITES SANS FRAIS LE 1-800-626-2237 (service en anglais seulement) ou visitez l'adresse www.remingtonpowertools.com

IMPORTANTES RENSEIGNEMENTS DE SÉCURITÉ

LISEZ TOUTES LES DIRECTIVES AVANT D'UTILISER LE SOUFFLEUSE/BALAYEUSE

MISES EN GARDE DE SÉCURITÉ

MISE EN GARDE

Prenez toutes les mesures de sécurité de base lorsque vous utilisez la souffleur pour réduire les risques d'incendie, de choc électrique ou de blessures.

MISE EN GARDE

Ce produit contient des éléments chimiques qui, de l'avis de l'État de la Californie, peuvent être à l'origine du cancer, d'anomalies congénitales ou d'autres dangers pour la reproduction.

AVANT D'UTILISER LE SOUFFLEUSE/BALAYEUSE

- Évitez les endroits dangereux:
 - Ce souffleur est conçu pour être utilisé à l'intérieur comme à l'extérieur. Ne vous servez pas de cet appareil lorsqu'il pleut ou dans des endroits humides ou mouillés.
 - Ne rechargez pas la pile sous la pluie ou dans un endroit trempé ou humide.
 - Ne manipulez pas la souffleur si vous avez les mains mouillées.
 - N'utilisez pas la souffleur si elle est endommagée ou si elle n'est pas complètement et solidement assemblée.
- N'utilisez pas la souffleur comme jouet. Soyez prudent lorsque vous utilisez la souffleur près d'enfants.
- N'utilisez pas la souffleur pour un travail pour lequel elle n'est pas conçue. Servez-vous en seulement tel que décrit dans ce guide. Utilisez seulement les accessoires fournis avec cette souffleur.
- Portez toujours des lunettes de protection conformes aux normes en vigueur dans votre pays.
- Portez des pantalons longs ainsi que des chaussures pour vous servir de cet appareil.

LORSQUE VOUS UTILISEZ LE SOUFFLEUSE/BALAYEUSE

- Demeurez alerte. Portez attention aux gestes que vous posez et faites preuve de bon sens.
- Conservez les cheveux, les vêtements et toute partie du corps à l'écart des ouvertures et des pièces mobiles.
- N'utilisez jamais cette souffleur si un élément protecteur est endommagé ou s'il en manque un.
- Faites preuve d'une extrême prudence lorsque vous utilisez la souffleur dans un escalier.
- N'insérez aucun objet dans les prises. N'utilisez pas l'appareil si l'une des prises est bloquée. Éliminez toute poussière, charpie, cheveu ou autre matériau qui pourrait réduire le passage de l'air.
- Débranchez correctement le souffleur. Désactivez toutes les commandes avant de débrancher le souffleur de la prise électrique.
- La roue à ailettes tourne pendant quelques secondes+C114 après que la souffleur s'est arrêtée. Cette roue peut causer des coupures ou des blessures aux doigts.
- Ne laissez pas la pile dans la souffleur. Retirez la pile lorsque vous ne vous servez pas de l'appareil et avant d'en faire l'entretien.

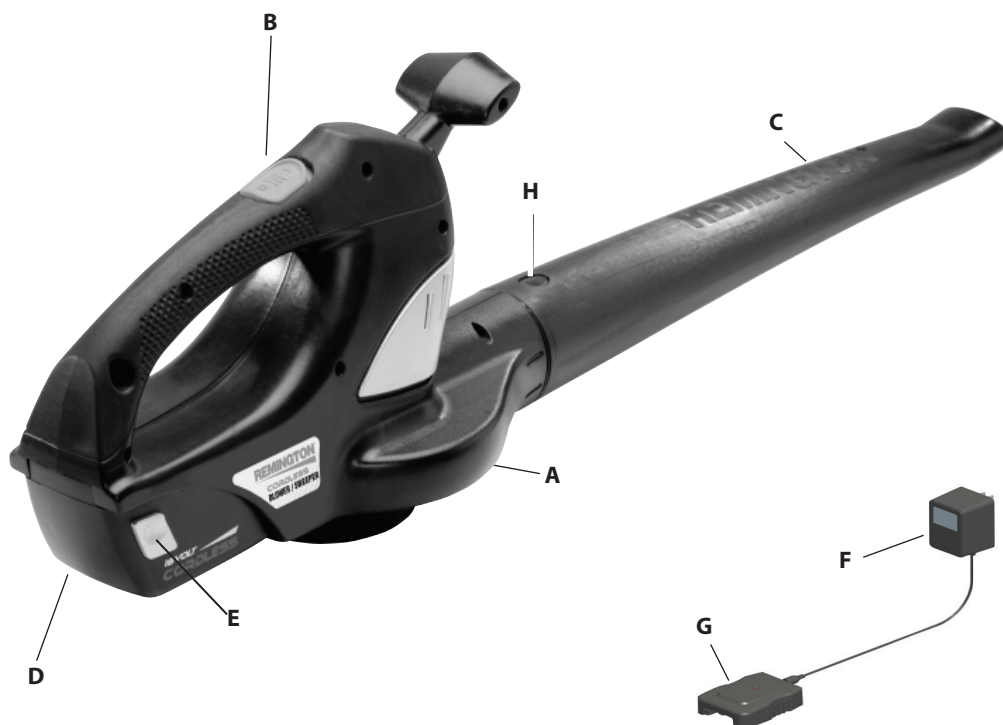
ENTRETIEN ET ENTREPOSAGE DU SOUFFLEUSE/BALAYEUSE

- Entretenez correctement la souffleur.
 - Si la souffleur ne fonctionne pas correctement, si elle a été échappée, endommagée, laissée à l'extérieur ou échappée à l'eau, ne l'utilisez pas. Contactez immédiatement DESA Power Tools.
 - Assurez-vous que les poignées sont propres, sèches et exemptes de toute huile ou graisse.
- Recherchez les pièces endommagées.
 - Lorsqu'une pièce est endommagée, inspectez-la avec soin avant de vous servir de la souffleur. Assurez-vous que la pièce fonctionnera correctement et qu'elle pourra exécuter la fonction prévue.
 - Vérifiez l'alignement des pièces mobiles, la fixation des pièces mobiles, les bris, l'assemblage et tout autre problème qui pourrait nuire au fonctionnement de l'appareil.
 - À moins d'avis contraire dans le présent guide, tout protecteur ou pièce endommagée doit être réparée ou remplacée.
- Entreposez la souffleur à l'intérieur. Lorsque vous ne l'utilisez pas, entreposez la souffleur à l'intérieur, dans un endroit sec.

CONSERVEZ CES DIRECTIVES

IDENTIFICATION DU PRODUIT

- A. Boîtier de la souffleuse
- B. Interrupteur
- C. Tube du souffleur
- D. Pile
- E. Bouton de déclenchement de la pile
- F. Chargeur de pile
- G. Socle du chargeur
- H. Tube Bouton de déverrouillage



FICHE TECHNIQUE

| BB18125A | |
|-------------------------------|------------------------------|
| Alimentation | 18 VDC |
| Vélocité maximum du souffleur | 125 mph 5.3 lbs. (2.4 Kg) |
| Poids net | |

PILE RECHARGEABLE

CAPUCHON DE PROTECTION DES BORNES DE LA PILE

⚠ MISE EN GARDE

Évitez de stocker ou de transporter la pile de façon que des objets métalliques puissent entrer en contact avec les bornes de cette dernière. Par exemple, évitez de placer la pile dans un tablier, dans la poche, dans une boîte à outils, dans une trousse à outils, dans un tiroir, etc. où se trouvent des clous, des vis, des clés, si vous n'avez pas mis les capuchons de bornes.

Des capuchons protecteurs de bornes sont fournis; apposez-les sur les bornes chaque fois que la pile est sortie de l'outil ou du chargeur. Enlevez les capuchons avant de replacer la pile dans le chargeur ou l'outil.

MISES EN GARDE DE SÉCURITÉ

1. Ce guide comprend d'importantes directives liées à la sécurité et à l'utilisation.
2. Avant d'utiliser le chargeur de pile, lisez toutes les directives et les mises en garde inscrites sur le chargeur, sur la pile et sur le produit devant accueillir la pile.

⚠ MISE EN GARDE

Pour réduire les risques de blessures, rechargez seulement les piles de marque Remington. Les autres types de piles pourraient exploser, entraînant des blessures et des dommages.

3. Évitez d'exposer le chargeur à la pluie ou à la neige.
4. L'utilisation de pièces non recommandées ou vendues pour les outils de marque Remington pourrait entraîner un risque d'incendie, de choc électrique ou de blessure.
5. Pour réduire les risques de dommages à la fiche et au cordon, débranchez le chargeur en tirant sur la fiche plutôt qu'en tirant sur le cordon.

6. Évitez d'utiliser une rallonge électrique, à moins que cela ne soit absolument nécessaire. L'utilisation d'une rallonge non appropriée pourrait entraîner un risque d'incendie, de choc électrique ou d'électrocution.
 - a. Le cordon de raccordement à 2 fils peut être utilisé avec une rallonge à 2 ou à 3 fils. Seules les rallonges électriques à gaine ronde doivent être utilisées, et nous recommandons qu'elles soient homologuées par les Underwriters Laboratories (U.L.). Si la rallonge doit être utilisée à l'extérieur, elle doit être conçue à cet effet. Toute rallonge destinée à l'utilisation à l'extérieur peut aussi être utilisée à l'intérieur. Les lettres « W » ou « WA » inscrites sur la rallonge indiquent que celle-ci convient à l'utilisation extérieure..
 - b. La rallonge électrique doit être de calibre approprié (AWG ou American Wire Gauge) à des fins de sécurité et pour éviter les pertes de puissance et la surchauffe. Plus le numéro de calibre est petit, plus la capacité de la rallonge est élevée; ainsi, une rallonge de calibre 16 a une capacité de loin supérieure à une rallonge de calibre 18. Lorsque vous utilisez plus d'une rallonge, assurez-vous que chacune d'elles correspond au calibre minimum
7. Utilisez seulement le chargeur fourni pour recharger la pile. L'utilisation d'un autre chargeur pourrait endommager la pile ou entraîner des dangers
8. Utilisez un seul chargeur pour recharger la pile..
9. Utilisez seulement des piles Remington RB18V1 ET RBE18V1 avec ce produit.
10. Ne tentez pas d'ouvrir le chargeur. Ce dernier ne comprend aucune pièce pouvant être réparée.
11. N'INCINÉREZ PAS la pile, même si elle a été gravement endommagée ou si elle est complètement usée. Les piles risquent d'exploser lorsqu'on les brûle.
12. Une légère fuite de liquide peut se produire lorsque la pile est utilisée dans des conditions extrêmes, pendant la recharge ou selon la température. Cela n'est pas un signe de défaillance. Toutefois, si la gaine extérieure est endommagée et que le liquide qui s'échappe entre en contact avec la peau :
 - Lavez rapidement à l'eau et au savon.
 - Neutralisez avec un agent légèrement acide, comme du jus de citron ou du vinaigre.
 - Si le liquide de la pile éclabousse les yeux, rincez-les à grande eau pendant au moins 10 minutes, puis consultez immédiatement un médecin.
13. ÉVITEZ d'ouvrir ou d'endommager les piles. L'électrolyte qu'elles contiennent est corrosif et pourrait blesser la peau ou les yeux. Il est en outre toxique lorsqu'il est ingéré.

TABLEAU DES CALIBRES (AWG) MINIMUMS POUR LES RALLONGES - CARACTÉRISTIQUES NOMINALES - 0 - 10.0

| Longueur | Calibre AWG |
|-----------|-------------|
| 25 pieds | 16 AWG |
| 50 pieds | 16 AWG |
| 100 pieds | 14 AWG |
| 150 pieds | 12 AWG |

REMARQUE MÉDICALE : Le liquide est constitué d'une solution à 25/35 % d'hydroxyde de potassium.

PILE RECHARGEABLE

RECHARGE DE LA PILE

La pile n'est pas complètement chargée à l'usine. Avant de tenter de recharger la pile, lisez B44 toutes les directives de sécurité.

Le chargeur est conçu pour une alimentation standard 120 V, 60 Hz.

1. Branchez le cordon du chargeur dans le socle de ce dernier. (Voir la Figure 1)

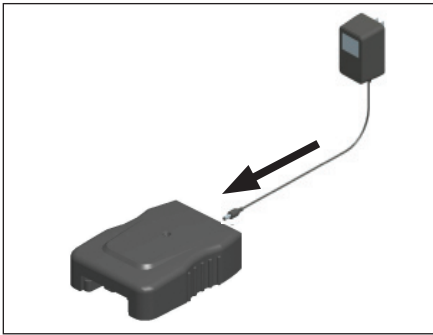


Figure 1 - Branchez le chargeur dans le socle.

2. Branchez le chargeur dans une prise électrique standard de 120 V, 60 Hz. Important : Évitez de recharger la pile au moyen d'une génératrice ou d'une source d'alimentation c.c. Utilisez seulement du courant secteur de 120 V, c.a.
3. Faites glisser le chargeur sur la pile comme indiqué dans la Figure 2. The LED will light up. Laissez la pile se recharger jusqu'à ce que le voyant à DEL rouge s'éteigne. Après la recharge initiale, votre batterie devrait demeurer chargée de 3 à 9 heures dans des conditions d'utilisation normales.

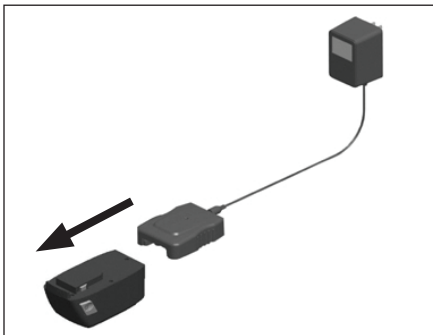


Figure 2 - Insertion de la pile dans le chargeur.

4. Débranchez le chargeur. Retirez la pile en la faisant glisser (Voir la Figure 3).
5. Placez la pile dans l'outil et assurez-vous qu'elle est complètement insérée dans la cavité jusqu'à ce qu'elle s'enclenche en place.

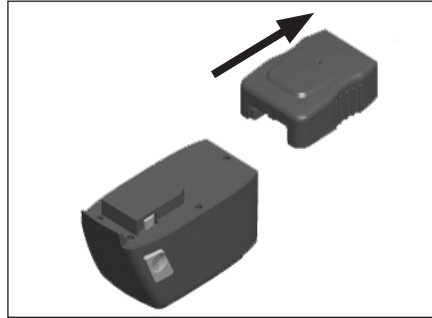


Figure 3 - Retirez le chargeur.

REMARQUES MPORTANTE SUR LA RECHARGE

1. Après une utilisation normale, votre pile devrait être complètement chargée en 3 à 9 heures. Lorsque la pile est complètement épuisée, cela pourrait prendre jusqu'à 9 heures pour la recharger complètement. Votre pile vous a été livrée de l'usine non chargée. Pour un meilleur rendement, chargez la pile jusqu'à ce que le voyant à DEL rouge s'éteigne. Laissez refroidir la pile pendant 30 minutes avant de la charger, après avoir utilisé la tronçonneuse. REMARQUE : Une pile chaude placée dans le chargeur ne se chargera pas.
2. NE CHARGEZ PAS la pile si la température ambiante est inférieure à 40 °F (4,5 °C) ou supérieure à 105 °F (40,5 °C). Cela est très important pour éviter de graves dommages à la pile. La pile durera plus longtemps et vous en obtiendrez un meilleur rendement si elle est chargée lorsque la température ambiante est d'environ 75 °F (24 °C).
3. Pendant le chargement, le chargeur peut émettre un bourdonnement et peut devenir chaud au toucher. Cela est tout à fait normal et n'est nullement le signe d'un problème. C'est normal, et il ne s'agit pas d'un problème.

4. Lorsque la pile ne se recharge pas correctement :
 - Vérifiez l'alimentation au niveau de la prise en y branchant une lampe ou autre appareil.
 - Vérifiez si la prise est raccordée à un interrupteur, qui coupe l'alimentation lorsque vous fermez l'éclairage.
 - Déplacez le chargeur et la pile à un endroit où la température ambiante oscille entre 40 °F (4,5 °C) et 105 °F (40,5 °C).
 - Si la prise et la température sont appropriées, mais que la pile ne se recharge pas, contactez DESA Power Tools.
5. La pile doit être rechargée lorsqu'elle ne donne pas suffisamment de puissance lors des travaux, qui pouvaient être facilement effectués auparavant. NE POURSUIVEZ PAS l'utilisation du produit lorsque la pile est déchargée.
6. Pour prolonger la durée de la pile, évitez de la laisser dans le chargeur pendant de très longues périodes (plus de 30 jours sans utilisation). Même si la surcharge n'est pas un problème de sécurité, cela peut réduire de façon considérable la durée globale de la pile.
7. La pile offrira un rendement optimum après avoir été rechargée à cinq reprises dans des conditions d'utilisation normale. Il n'est pas nécessaire de décharger complètement une pile avant de la recharger. L'utilisation normale est la meilleure méthode de décharger et de recharger les piles.

ASSEMBLAGE DE LA SOUFFLEUSE/BALAYEUSE

ASSEMBLAGE DE LA SOUFFLEUSE

⚠ MISE EN GARDE

N'utilisez pas le taille- bordures / coupe-bordures s'il n'est pas doté de sa poignée ou de son protecteur.

ASSEMBLEZ LA SOUFFLEUSE, COMME INDIQUÉ.

Suivez les étapes ci-dessous pour assembler le souffleur.

1. Insérez le tube sur la sortie à l'avant de la balayeuse/souffleuse (consultez la Figure 4). Assurez-vous que le tube est bien engagé sur le bouton de verrouillage.



Figure 4 - Insérez le tube

UTILISATION DU SOUFFLEUSE/BALAYEUSE

UTILISATION DU SOUFFLEUSE/ BALAYEUSE

IMPORTANT: Cette souffeuse est réservée à un usage résidentiel.

⚠ MISE EN GARDE

Lisez attentivement ce guide du propriétaire avant d'utiliser le taille-bordures/coupe-bordures. Assurez-vous d'avoir lu et compris tous les *Renseignements de Sécurité*. L'utilisation inappropriée de ce taille-haie peut entraîner de graves blessures, voire le décès, par suite d'un incendie, d'un choc électrique ou d'un contact corporel avec les pièces mobiles.



Figure 5 - Comment tenir la souffeuse pour vous en servir



Figure 6 - Utilisation de la souffeuse

UTILISATION DE LA SOUFFLEUSE

⚠ MISE EN GARDE

Restez à l'écart du fil et de la tête de coupe pendant que le taille-bordures / coupe-bordures fonctionne. Tout contact avec le fil de coupe peut entraîner de graves blessures.

- Gardez la tête de coupe à l'écart de vos mains, de vos pieds et de toute personne pendant l'utilisation de l'outil.
- Conservez le protecteur de coupe en place, en bon état.
- Portez des pantalons longs et des chaussures lorsque vous utilisez cet outil.
- Arrêtez le taille-bordures / coupe-bordures et débranchez le cordon électrique avant d'en faire l'entretien ou d'examiner le moteur.

Assemblez correctement la souffeuse avant de vous en servir (Assemblage de la souffeuse).

1. Insérez la pile complètement chargée dans la souffeuse.
2. Tenez la souffeuse au moyen de la poignée du boîtier (consultez la Figure 5).
3. Cuando esté listo para arrancar la sopladora, deslice el interruptor a la posición adelante. Esta es la posición "I" (Vea la Figura 7)
4. La souffeuse s'arrêtera graduellement. Placez l'interrupteur en position arrière, soit en position « Marche » (On). La souffeuse s'arrêtera graduellement.

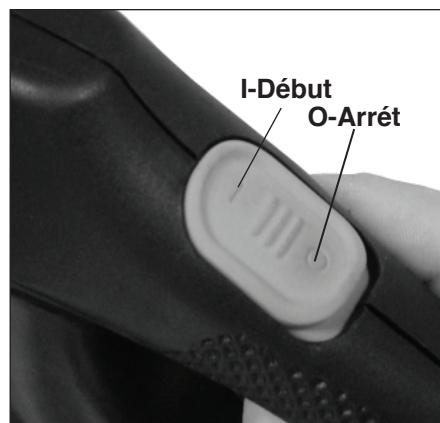


Figure 7 - Mise en marche/arrêt de la souffeuse/balayeuse.

ENTRETIEN DU SOUFFLEUSE/BALAYEUSE

ENTRETIEN ET NETTOYAGE

⚠ MISE EN GARDE

Retirez la pile avant de nettoyer ou de faire l'entretien de l'appareil. De graves blessures, voire le décès, peuvent survenir en cas d'incendie, de choc électrique ou lors d'un contact avec le fil de coupe en mouvement.

⚠ MISE EN GARDE

Lors du nettoyage du taille-bordures / coupe-bordures :

- Évitez d'immerger l'appareil dans un liquide
- N'utilisez pas de produits contenant de l'ammoniac, du chlore ou des abrasifs
- N'utilisez pas de solvants de nettoyage chlorés, du tétrachlorure de carbone, du kérosène ou de l'essence.



Figure 30 - Nettoyage du boîtier du souffleur/balayeuse

⚠ MISE EN GARDE

L'utilisation de pièces non fournies par Remington pourrait être à l'origine de blessures ou de dommage à l'appareil.

PIÈCES DE RECHANGE

- | | |
|---------------------|-----------|
| 1. Pile | RB18V1 |
| 2. Pile | RBE18V1 |
| 3. Chargeur de pile | 121397-01 |

Accessoire optionnel

- | | |
|---------------------|--------|
| 1. Chargeur 1 heure | RC18V1 |
|---------------------|--------|

Pour obtenir des pièces de rechange et des accessoires d'origine pour ce produit, contactez le détaillant autorisé ou le centre de service autorisé le plus proche. Si ces derniers ne sont pas en mesure de vous fournir la pièce ou l'accessoire dont vous avez besoin, contactez le dépôt de pièces le plus proche, inscrit sur la liste à la page 36. Chaque détaillant autorisé, centre de service autorisé et dépôt de pièces est la propriété exclusive de la personne qui en assure l'exploitation de façon indépendante. Vous pouvez aussi commander des pièces à « l'atelier en ligne » à l'adresse www.remingtonpowertools.com.

Pour plus de détails, contactez le Service technique (consultez la section *Service Technique*).

Au Canada, faites le 1 800 561-3372 pour obtenir plus de détails sur les pièces.



MISE AU REBUTS ET RECYCLAGE DES PILES

Ce produit exige des piles au nickel-cadmium. Les lois municipales, provinciales ou fédérales interdisent parfois la mise aux rebuts ordinaires de ces piles. Pour protéger l'environnement et conserver nos ressources naturelles, veuillez mettre ces piles aux rebuts ou les recycler de façon appropriée. Communiquez avec le centre de recyclage local pour savoir à quel endroit vous pourriez déposer ces piles.

SERVICE TECHNIQUE

Peut-être aurez-vous d'autres questions sur l'assemblage, le fonctionnement ou l'entretien de ce produit. Si c'est le cas, visitez le site Web du Service technique à l'adresse www.remingtonpowertools.com ou contactez le Service technique au 1 800 626-2237 (en anglais seulement). Vous pouvez aussi nous écrire à l'adresse suivante :

DESA Power Tools
ATTN. : Technical Service
P.O. Box 90004
Bowling Green, KY 42101-9004

Lorsque vous contactez DESA Power Tools veuillez avoir à portée de la main :

- Votre nom
- Votre adresse
- Votre numéro de téléphone
- Le numéro de modèle du produit
- La date d'achat (y compris une copie du reçu de caisse pour les demandes écrites).

Spécifier toujours le numéro de modèle et le numéro de série lors de toute correspondance adressée à l'usine.

Nous nous réservons le droit de modifier ces spécifications à n'importe quel moment sans préavis. La seule garantie applicable est notre garantie écrite standard. Nous n'accordons aucune autre garantie, expresse ou tacite.

DÉPANNAGE

⚠ MISE EN GARDE : Retirez la pile de la tronçonneuse avant d'en faire l'entretien. De graves blessures, voire le décès, peuvent survenir en cas d'incendie, de choc électrique ou lors d'un contact avec le fil de coupe en mouvement.

Remarque: Pour obtenir de l'assistance, visitez le site Web du service technique à l'adresse www.remingtonpowertools.com.

| DÉFAILLANCE OBSERVÉE | CAUSE POSSIBLE | REMÈDE |
|--|--|--|
| Le balayeuse/souffleuse ne démarre pas lorsque vous appuyez sur la gâchette. | <ol style="list-style-type: none">1. La pile n'est pas bien installée.2. La pile n'est pas chargée.3. Vous n'avez pas enfoncé le bouton de verrouillage de la gâchette avant d'appuyer sur celle-ci. | <ol style="list-style-type: none">1. Vérifiez que la batterie est bien installée.2. Assurez-vous que la pile a été rechargée conformément aux exigences.3. Suivez les directives d'utilisation de base du taille-haie. |
| Le taille-haie fonctionne lentement ou s'arrête facilement. | <ol style="list-style-type: none">1. Le taille-haie fonctionne lentement ou s'arrête facilement. | <ol style="list-style-type: none">1. Rechargez complètement la pile. |
| Le fil ne s'allonge pas lorsque vous frappez le bouton de rallonge du fil sur le sol | <ol style="list-style-type: none">1. Le fil ne s'allonge pas lorsque vous frappez le bouton de rallonge du fil sur le sol2. Le fil est rentré à l'intérieur de la bobine.3. Le fil est pris ou enroulé dans la bobine et ne peut sortir. | <ol style="list-style-type: none">1. Installez un nouveau fil dans la bobine en suivant les étapes de la section Remplacement du fil.2. Enlevez la bobine, tirez sur le fil, puis remettez la bobine en place.3. Enlevez la bobine, relâchez le fil, puis remettez la bobine en place. |
| La pile se décharge rapidement. | <ol style="list-style-type: none">1. La pile n'est pas complètement chargée.2. La pile est usée et ne conserve pas sa charge. | <ol style="list-style-type: none">1. Rechargez complètement la pile.2. Remplacez la pile. |
| La pile ne se recharge pas. | <ol style="list-style-type: none">1. La pile ne se recharge pas.2. Pile pas complètement insérée dans le socle du chargeur.3. Le cordon du chargeur n'est pas correctement branché.4. Chargeur endo | <ol style="list-style-type: none">1. Branchez le chargeur dans une prise 120 V c.a., 60 Hz.2. Assurez-vous que la pile est correctement insérée dans le socle du chargeur.3. Assurez-vous que le cordon du chargeur est inséré correctement dans le socle du chargeur.4. Remplacez la chargeur. |

SAVE THESE INSTRUCTIONS

INFORMATION SUR LA GARANTIE

SOUFFLEUSE/BALAYEUSE REMINGTON SANS FIL 18V

GARANTIES LIMITÉES

PRODUITS NEUFS

Garantie Standard

DESA Power Tools garantit que ce produit neuf ainsi que toutes les pièces qui le constituent sont exempts de tout défaut de matériau et de fabrication pendant une période de deux (2) ans à compter de la date d'achat auprès d'un détaillant autorisé, à condition que le produit soit utilisé et entretenu conformément aux mises en garde et aux directives de DESA Power Tools.

Garantie standard de la pile

DESA Power Tools garantit que cette pile et ces accessoires neufs ainsi que toutes les pièces qui les constituent sont exempts de tout défaut de matériau et de fabrication pendant une période de six (6) mois à compter de la date d'achat auprès d'un détaillant autorisé, à condition que les produits soient utilisés et entretenus conformément aux mises en garde et aux directives de DESA Power Tools.

PRODUITS REMIS À NEUF À L'USINE

Garantie Limitée

DESA Power Tools garantit les produits remis à neuf à l'usine et toutes les pièces qu'il comprend contre tout défaut de main-d'œuvre et de matériau pour une durée de 90 jours à compter de la date d'achat originale auprès d'un détaillant autorisé, à la condition que le produit ait été installé, utilisé et entretenu conformément aux directives et aux mises en garde de DESA Power Tools.

MODALITÉS COMMUNES À TOUTES LES GARANTIES

Les modalités qui suivent s'appliquent à toutes les garanties ci-dessus :

- Spécifier toujours le numéro de modèle lors des communications avec le fabricant. Le reçu de caisse ou une autre preuve d'achat doit être fournie lors d'une réclamation en vertu de la présente garantie.
- Cette garantie est accordée seulement à l'acheteur original, lorsque la tronçonneuse a été achetée auprès d'un détaillant autorisé.
- Cette garantie couvre le coût des pièces nécessaires pour remettre la tronçonneuse en bon état de marche et prévoit une indemnité de main-d'œuvre lorsque les réparations sont effectuées par un centre de service autorisé de DESA Power Tools. Les pièces sous garantie doivent être achetées chez un détaillant autorisé à vendre le produit ou auprès de DESA Power Tools, qui fournira des pièces de rechange originales de l'usine. Le fait d'utiliser des pièces autres que les pièces de rechange originales de l'usine annule la présente garantie.
- Les frais de déplacement, de manutention, de transport, de diagnostic, de matériau, de main-d'œuvre et les frais accessoires associés aux réparations effectuées en vertu de la présente garantie ne sont pas remboursables aux fins de cette garantie, à moins d'être expressément indiqués dans la garantie, et doivent donc être assumés par le propriétaire.
- Cette garantie ne couvre pas les produits ni les pièces défectueux ou endommagés par suite d'une utilisation abusive, d'un accident, d'un manque d'entretien, d'une altération ou d'une modification.
- Cette garantie ne couvre pas les produits destinés à un usage commercial, industriel ou pour location.
- Il s'agit de la garantie exclusive offerte par DESA Power Tools, dans les limites prescrites par les lois en vigueur; cette garantie exprime exclut toute autre garantie, explicite ou implicite, écrite ou verbale, et limite la durée de toute autre garantie implicite, y compris des garanties de marchandabilité et d'adaptation à un usage en particulier, à deux (2) ans pour les produits neufs, à six (6) mois pour les piles et les accessoires et à 90 jours pour les produits réusinés, à compter de la date d'achat. DESA Power Tools ne fait aucune autre représentation ni garantie eu égard à ce produit
- La responsabilité de DESA Power Tools se limite au prix d'achat du produit, et DESA Power Tools ne peut être tenue responsable des dommages de quelque sorte que ce soit, attribuables à quelque circonstance que ce soit, notamment des dommages indirects, accessoires ou consécutifs.
- Certains états ne reconnaissent pas les restrictions relatives à la durée des garanties implicites ni les limites ou exclusions en matière de dommages indirects ou consécutifs; il se peut donc que les limitations et restrictions ci-dessus ne s'applique pas à votre situation.
- Cette garantie vous accorde des droits juridiques particuliers, et il se peut que vous ayez aussi d'autres droits, qui varient d'un état à l'autre.

Pour plus de détails sur cette garantie, communiquez avec :



P.O. Box 90004

Bowling Green, KY 42102-9004

www.remingtonpowertools.com

1-800-626-2237

Modèle _____

Date d'achat _____



82 Akron Road

Toronto, Ontario

M8W 1T2

1-800-561-3372

Fax: 1-800-561-8003

FRANÇAIS

PARTS CENTRAL/CENTRAL DE PIEZAS/

Ray's Portable Heater Service

3191 Myers Road
Camino, CA 95709-9550
530-644-7716

Tool & Equipment

5 Manila Drive
Hamden, CT 06514-0322
203-248-7553
1-800-397-7553

Bernie's Tools & Fasteners

4211 Highway Avenue
Jacksonville, FL 32254
Ph: 904-384-4999

Bernie's Tools & Fasteners

2322 NE Waldo Road
Gainesville, FL 32609
Ph: 352-375-1244

Grainger Parts Operations

1657 Shermer Road
Northbrook, IL 60062-5362
708-498-5900
1-800-323-0620
www.grainger.com

Portable Heater Parts

342 North County Road 400 East
Valparaiso, IN 46383-9704
219-462-7441
1-800-362-6951
www.portableheaterparts.com
sales@portableheaterparts.com
techservice@portableheaterparts.com

Lyons & Lyons Sales Co. Inc.

Glen Arm Road
Glen Arm, MD 21057-9454
301-665-6500
1-800-333-5966
lyonsco@erols.com

Master Part Distributors

1251 Mound Avenue NW
Grand Rapids, MI 49504-2672
616-791-0505
1-800-446-1446
www.masterparts.net

Hance Distributors, Inc.

12795 16th Avenue North
Plymouth, MN 55441-4556
763-559-2299
www.hanceco.com

Automotive Equipment Service

3117 Holmes
Kansas City, MO 64109-1716
816-531-9144
1-800-843-3546
www.aes-lawnparts.com

Bowden Electric Motor Service

1681 S. Wesleyan Blvd.
Rocky Mount, NC 27803
252-446-4203

East Coast Energy

10 East Route 36
West Long Branch, NJ 07764-1501
1-800-755-8809

Forrest Lytle and Sons, Inc.

740 West Galbraith Road
Cincinnati, OH 45231-6002
513-521-1464

Bortz Chain Saw Shop

Road #2, Box 64A
Oley, PA 19547-9412
610-987-6452

21st Century

2950 Fretz Valley Road
Perkasie, PA 18944-4034
215-795-0400
1-800-325-4828

La Porte's

2444 N 5th Street
Hartsville, SC 29550-7704
843-332-0191

MTA Distributors

555 Hickory Hills Blvd.
Nashville, TN 37189-9244
615-299-8777
1-800-264-0225

Webbs Appliance Center

1519 Church Street
Nashville, TN 37203-3004
615-329-4079
1-800-899-4079

Industrial Hardware

4109 Bainbridge Blvd.
Chesapeake, VA 23324-1403
757-543-2232
1-800-788-0008
catatem@erols.com

Mills Lawn and Garden

4750-B Baxter Road
Virginia Beach, VA 23462
757-490-7001
www.mills-parts.com

Tuco Industrial Products

5223 180th Street SW
Suite 4A-1
Lynnwood, WA 98037-4506
425-743-9533
1-800-735-1268
www.tucoheat.com

122016-01
Rev.B
06/08

Free Manuals Download Website

<http://myh66.com>

<http://usermanuals.us>

<http://www.somanuals.com>

<http://www.4manuals.cc>

<http://www.manual-lib.com>

<http://www.404manual.com>

<http://www.luxmanual.com>

<http://aubethermostatmanual.com>

Golf course search by state

<http://golfingnear.com>

Email search by domain

<http://emailbydomain.com>

Auto manuals search

<http://auto.somanuals.com>

TV manuals search

<http://tv.somanuals.com>