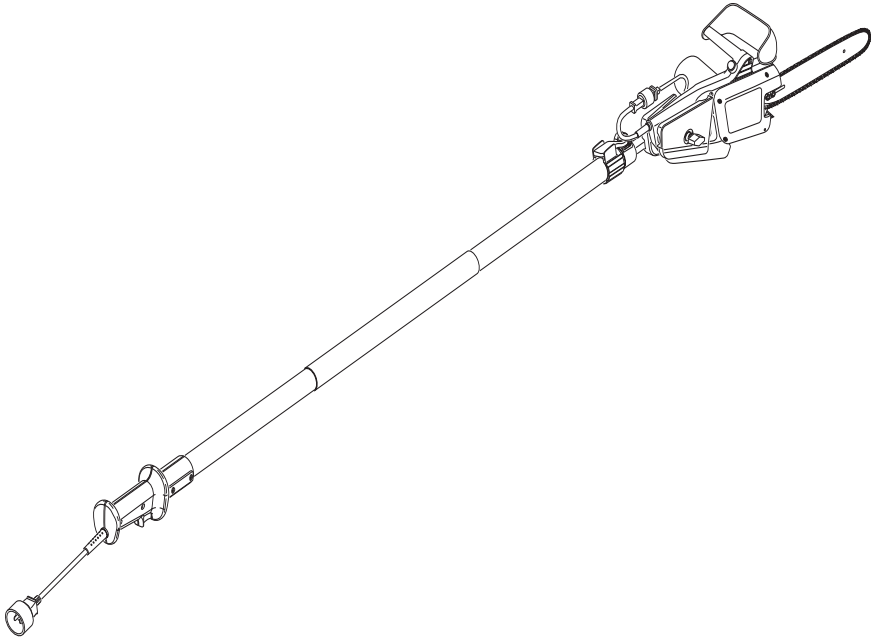


# REMINGTON®

## TELESCOPING ELECTRIC CHAINSAW/POLESAW

ENGLISH



MODELS RPS2N1: 104317, PS1510A

**IMPORTANT: Read and understand this manual before assembling or operating this appliance. Improper use of this appliance can cause severe injury or death. Keep this manual for future reference.**





**DO NOT RETURN PRODUCT TO STORE.**

**CALL 1-800-626-2237 FOR TECHNICAL ASSISTANCE**

**For more information, visit [www.desatech.com](http://www.desatech.com)**

**This manual is your guide to safe and proper operation of the saw.**

**SAVE THESE INSTRUCTIONS.**

**Keep your purchase receipt for warranty coverage.**

**NO DEVUELVA EL PRODUCTO A LA TIENDA**

**Para más información, [www.desatech.com](http://www.desatech.com)**

**PARA AYUDA TÉCNICA LLAME AL 1-800-626-2237**

**Este manual es su guía para utilizar esta sierra eléctrica de  
manera adecuada y segura.**

**GUARDE ESTAS INSTRUCCIONES.**

**Guarde su recibo de compra para cobertura de la garantía.**

**NE RETOURNEZ PAS LE PRODUIT AU DÉTAILLANT**

**FAITES LE 1 800 626-2237 POUR OBTENIR  
DE L'ASSISTANCE TECHNIQUE**

**Pour plus de détails, visitez le [www.desatech.com](http://www.desatech.com).**

**C'est un guide pour l'utilisation sécuritaire et correcte de la tronçonneuse.**

**CONSERVER CES DIRECTIVES**

**Conservez votre reçu d'achat pour obtenir le service sous garantie.**

## INTRODUCTION

Your Remington Telescoping Pole Saw is a dual purpose product. The electric chain saw is a separate operating unit when not assembled to the telescoping pole. Before operating either the chain saw or the pole saw, make certain you read and understand all Important Safety Information.

## Contents

ENGLISH

|  |           |
|--|-----------|
| <b>IMPORTANT SAFETY INFORMATION</b> .....              | <b>4</b>  |
| Before Operating Saw .....                             | 4         |
| While Operating Saw.....                               | 4         |
| Kickback.....  | 5         |
| Maintenance and Storage of Saw .....                   | 6         |
| Pole Saw Trimming Precautions .....                    | 7         |
| <b>UNPACKING</b> .....                                 | <b>7</b>  |
| <b>PRODUCT IDENTIFICATION</b> .....                    | <b>8</b>  |
| <b>CHAIN SAW TERMS AND DEFINITIONS</b> .....           | <b>9</b>  |
| <b>CHAIN SAW INFORMATION</b> .....                     | <b>10</b> |
| Chain Saw Hardware .....                               | 10        |
| Chain Saw Assembly.....                                | 10        |
| Saw Chain Tension Adjustment .....                     | 11        |
| Extension Cords .....                                  | 12        |
| Filling Oil Tank .....                                 | 12        |
| Oiling Chain.....                                      | 12        |
| Cutting with the Chain Saw .....                       | 12        |
| Felling a Tree.....                                    | 13        |
| Limbing a Tree.....                                    | 15        |
| Bucking a Log.....                                     | 15        |
| Trimming a Tree (Pruning).....                         | 16        |
| <b>POLE SAW INFORMATION</b> .....                      | <b>17</b> |
| Pole Saw Assembly.....                                 | 17        |
| Adjusting Pole Length .....                            | 18        |
| Cutting with the Pole Saw .....                        | 18        |
| <b>CLEANING AND MAINTENANCE</b> .....                  | <b>19</b> |
| Cleaning Saw Body .....                                | 19        |
| Care of Guide Bar .....                                | 19        |
| Sharpening Saw Chain.....                              | 20        |
| Replacement Chain.....                                 | 21        |
| <b>STORAGE</b> .....                                   | <b>21</b> |
| <b>TECHNICAL SERVICE</b> .....                         | <b>21</b> |
| <b>REPLACEMENT PART AND ACCESSORIES</b> .....          | <b>21</b> |
| <b>TROUBLESHOOTING</b> .....                           | <b>22</b> |
| <b>REPAIR SERVICE</b> .....                            | <b>22</b> |
| <b>WARRANTY INFORMATION</b> .....                      | <b>23</b> |
| <b>ILLUSTRATED PARTS BREAKDOWN / PARTS LISTS</b> ..... | <b>72</b> |
| RPS2N1: 104317, PS1510A .....                          | 72        |
| Chain Saw .....  | 73        |
| <b>PARTS CENTRALS</b> .....                            | <b>75</b> |

## IMPORTANT SAFETY INFORMATION

**⚠ WARNING:** When using an electric chain saw, basic safety precautions should always be followed to reduce the risk of fire, electric shock, and injury to persons, including the following:

### READ ALL INSTRUCTIONS

**Make sure you read and understand all instructions in *Important Safety Information* on pages 4 through 7. Improper use of this chain saw can cause severe injury or death from fire, electrical shock, body contact with moving chain, or falling wood.**

### BEFORE OPERATING SAW

1. Read and understand this owner's manual before operating saw.
2. Watch what you are doing. Use common sense. Do not operate saw when you are tired.
3. Use saw for cutting wood only.
  - Do not use chain saw for purpose not intended.
  - Do not use for cutting non-wood items.
4. Only well-instructed adults should operate saw. Never allow children to operate saw.
5. Use only electrical voltage noted on model plate of saw.
6. Use only extension cords marked for outdoor use. See page 21 for extension cord requirements.
7. Do not operate saw
  - while under the influence of alcohol, medication, or drugs
  - in rain or in damp or wet areas
  - where highly flammable liquids or gases are present
  - if pole or saw is damaged, adjusted wrong, or not fully and securely assembled
  - if trigger does not turn saw on and off. Chain must stop moving when you release trigger. Have faulty switch replaced by authorized service center (see *Technical Service*, page 21).
  - while in a hurry
  - while in tree or on a ladder
  - while on aerial booms, buckets, or platforms
8. Wear snug-fitting clothes when operating chain saw. Do not wear loose clothing or jewelry. They can get caught in moving saw chain.
9. Wear the following safety gear when operating saw:

- heavy-duty gloves (wear rubber gloves when working outdoors)
  - steel-toed safety footwear with non-skid soles
  - eye protection such as safety glasses, goggles, or face screen
  - safety hard hat
  - ear muffers or ear plugs
  - hair covering to contain long hair
  - face or dust mask (if working in dusty areas)
10. Before cutting, always provide the following:
    - clear work area
    - secure footing
    - planned retreat path from falling limbs
  11. Inspect tree before trimming or cutting down. Make sure there are no dead limbs or branches that may fall on you. Make allowance for branches to fall freely to the ground.
  12. Do not use pole saw to fell saplings. Use the chain saw without pole attachment.
  13. To reduce the risk of electric shock, this saw has a polarized plug (one blade is wider than the other). This plug will fit in a polarized outlet only one way. If the plug does not fit fully in the outlet of your extension cord, reverse the plug. If it still does not fit, a polarized extension cord will be necessary. Do not change the plug in any way.

### WHILE OPERATING SAW

1. Stay alert. Use common sense while operating saw.
2. Keep work area clean. Cluttered areas invite injuries.
3. Be aware of extension cord while operating chain saw. Be careful not to trip over cord. Keep cord away from chain and operator at all times.
4. Keep children, animals, and bystanders away from chain saw and extension cord. Only chain saw user should be in work area.
5. Do not use the pole saw to cut down trees. Use the chain saw without pole attachment and only if you are trained or have expert help.
6. Do not use near power lines. Keep at least 10 feet away from electrical lines.
7. If two or more persons perform bucking and felling operations at the same time, provide plenty of distance between operations. Provide distance of at least twice the height of tree being felled.
8. Secure wood you are cutting by using clamps or chocks.

## IMPORTANT SAFETY INFORMATION

9. Grip chain saw firmly with both hands. Never operate chain saw with one hand. Never use hand guard as handle.
10. Grip pole saw securely. Place one hand on the pole and the other on the handle.
11. Keep finger off trigger until ready to make cut.
12. Before starting chain saw, make sure chain is not touching anything.
13. To guard against electrical shock, avoid body contact with grounded objects such as pipes, fences, and metal posts.
14. Keep all parts of body away from chain when saw is running.
15. Do not force saw while cutting. Apply light pressure. It will do the job better and safer at the rate for which it was intended.
16. Do not cut small brush and saplings with the pole saw. Use the chain saw only, with extreme care. Slender matter may catch in the chain and be whipped toward you. This could also pull you off balance.
17. When cutting limb or tree trunk that is under tension, use extreme caution. Be alert for wood springing back. When wood tension is released, limb could spring back and strike operator causing severe injury or death.
18. Carry saw from one place to another
  - with saw stopped and unplugged
  - Chain saw - by holding front handle (never use hand guard as handle)
  - Pole saw - with telescoping pole returned to shortest position
  - Pole saw - by holding the pole at the balance point (close to saw end)
  - with finger off trigger
  - with guide bar and chain to rear

**⚠ WARNING: This product contains chemicals known to the State of California to cause cancer or birth defects, or other reproductive harm.**

**⚠ WARNING: Some dust created by power sanding, sawing, grinding, drilling, and other construction activities contains chemicals known (to the state of California) to cause cancer, birth defects, or other reproductive harm. Some examples of these chemicals are:**

- lead from lead-based paints
- crystalline silica from bricks and cement and other masonry products
- arsenic and chromium from chemically-treated lumber

**Your risk from these exposures varies, depending on how often you do this type of work. To reduce your exposure to these chemicals: work in a well ventilated area, and work with approved safety equipment, such as those dust masks that are specially designed to filter out microscopic particles.**

### KICKBACK

**⚠ WARNING: Kickback may occur when the nose or tip of the guide bar touches an object, or when the wood closes in and pinches the saw chain in the cut. Tip contact in some cases may cause a lightning fast reverse reaction, kicking the guide bar up and back towards the operator. Pinching the saw chain along the top of the guide bar may push the guide bar rapidly back towards the operator. Either of these reactions may cause you to lose control of the saw which could result in serious injury to user.**

### KICKBACK SAFETY DEVICES ON THIS SAW

This saw has a low-kickback chain and reduced kickback guide bar. Both items reduce the chance of kickback. Kickback can still occur with this saw.

Follow assembly instructions on page 10. Do not remove front hand guard. Do not replace front hand guard with substitute.

The following steps will reduce the risk of kickback:

- Use both hands to grip saw while saw is running

## IMPORTANT SAFETY INFORMATION

- For chain saw, use firm grip. Thumbs and fingers must wrap around saw handles.
- For pole saw, have one hand gripping the handle and the other gripping the pole. Use firm grip. Thumbs and fingers must wrap around pole and handle.
- Use both hands to grip saw while saw is running. Use firm grip. Thumbs and fingers must wrap around saw handles.
- Keep all safety items in place on saw. Make sure they work properly.
- Chain saw - do not overreach or cut above shoulder height.
- Pole saw - do not overreach or extend arms above shoulder height.
- Keep solid footing and balance at all times.
- Stand slightly to left side of saw. This keeps your body from being in direct line with chain.
- Do not let guide bar nose touch anything when chain is moving (see Figure 1).
- Never try cutting through two branches at same time. Only cut one log at a time.
- Do not bury guide bar nose or try plunge cut (boring into wood using guide bar nose).
- Watch for shifting of wood or other forces that may pinch chain.
- Use extreme caution when reentering a previous cut.
- Use low-kickback chain and guide bar supplied with this chain saw. Only replace these parts with chains and guide bars listed in this manual.
- Never use dull or loose chain. Keep chain sharp with proper tension.

### Saw Maintenance and Kickback Safety

Follow maintenance instructions in this manual. Proper cleaning of saw and chain and guide bar maintenance can reduce chances of kickback. Inspect and maintain saw after each use. This will increase the service life of your saw.

**Note:** Even with proper sharpening, risk of kickback can increase with each sharpening.



**Figure 1 - Kickback Hazard Example: Do Not Let Nose of Guide Bar Touch Object While Chain is Moving**

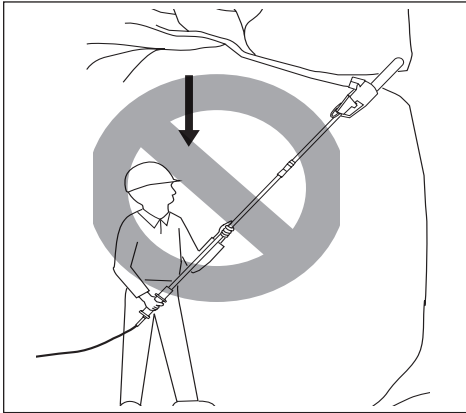
## MAINTENANCE AND STORAGE OF SAW

1. Unplug saw from power source:
  - when not in use
  - before moving from one place to another
  - before servicing
  - before changing accessories or attachments, such as saw chain and guard
2. Inspect saw before and after each use. Check saw closely if guard or other part has been damaged. Check for any damage that may affect operator safety or operation of saw. Check for alignment or binding of moving parts. Check for broken or damaged parts. Do not use saw if damage affects safety or operation. Have damage repaired by authorized service center.
3. Maintain saw with care:
  - Never expose saw to rain.
  - Keep chain sharp, clean, and lubricated for better and safer performance.
  - Follow steps outlined in this manual to sharpen chain.
  - Keep handles dry, clean, and free of oil and grease.
  - Keep all screws and nuts tight.
  - Inspect power cord often. If damaged, have repaired by authorized service center.
  - Never carry saw by power cord.
  - Never yank power cord to unplug it.
  - Keep power cord from heat, oil, and sharp edges.
  - Inspect extension cords often and replace if damaged.
4. When servicing, use only identical replacement parts.
5. When not in use, always store saw:
  - in a high or locked place, out of children's reach
  - in a dry place
  - in a carrying case or with scabbard over guide bar
  - drain oil after each use and before storing saw to prevent oil leakage.

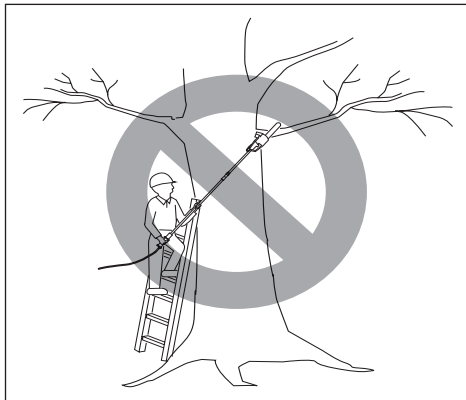
**Save these instructions.** It is your guide to safe and proper operation of this saw.

# IMPORTANT SAFETY INFORMATION

## POLE SAW TRIMMING PRECAUTIONS

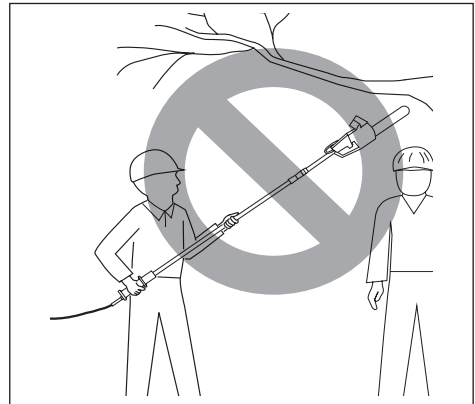


Never stand directly under the limb you are trimming. Always position yourself out of the path of falling debris.

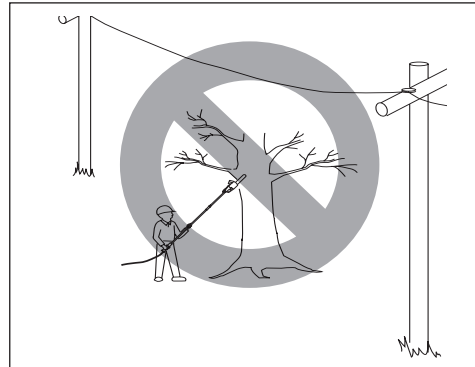


Never stand on a ladder or other type of unstable support while using the pole saw.

Always use both hands to operate pole saw. Keep a firm, steady pressure on the pole saw while cutting but do not try to force the saw through the wood.



Do not use the pole saw to cut limbs larger in diameter than the length of the guide bar.



Keep other persons away from cutting end of pole saw and at a safe distance from work area.

Do not use pole saw near cable, electric power or telephone lines. Maintain a minimum clearance of 10 feet from all power lines.

**IMPORTANT:** Read and understand this manual before assembling or operating this chain saw. Improper use of saw can cause severe injury. Keep this manual for future reference.

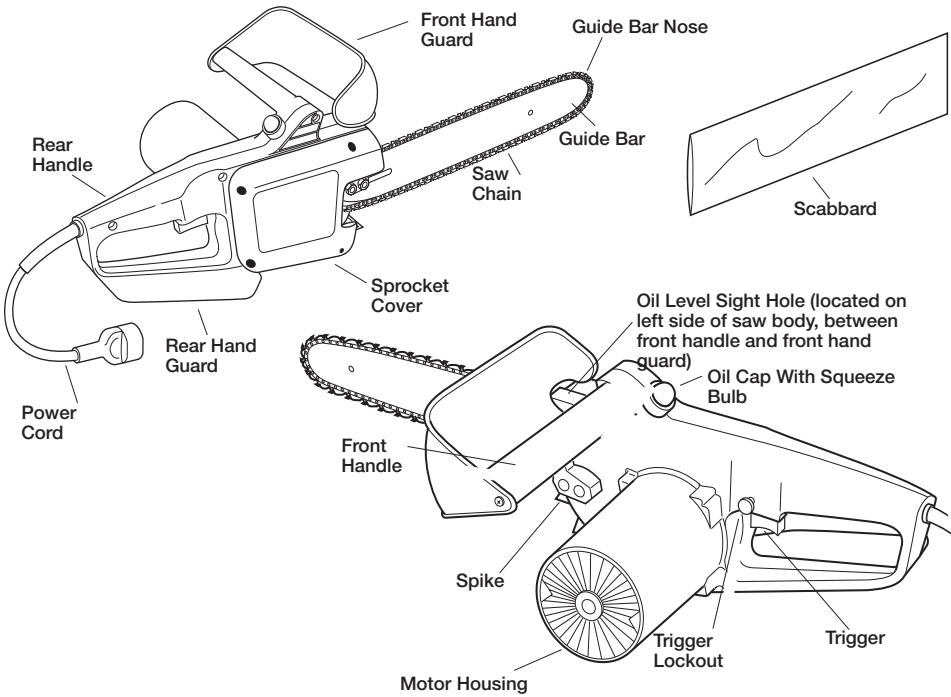
## UNPACKING

1. Remove all items from carton.
2. Check all items for any shipping damage. If you find any damage or if any parts are missing, promptly inform dealer where you bought chain saw.

ENGLISH

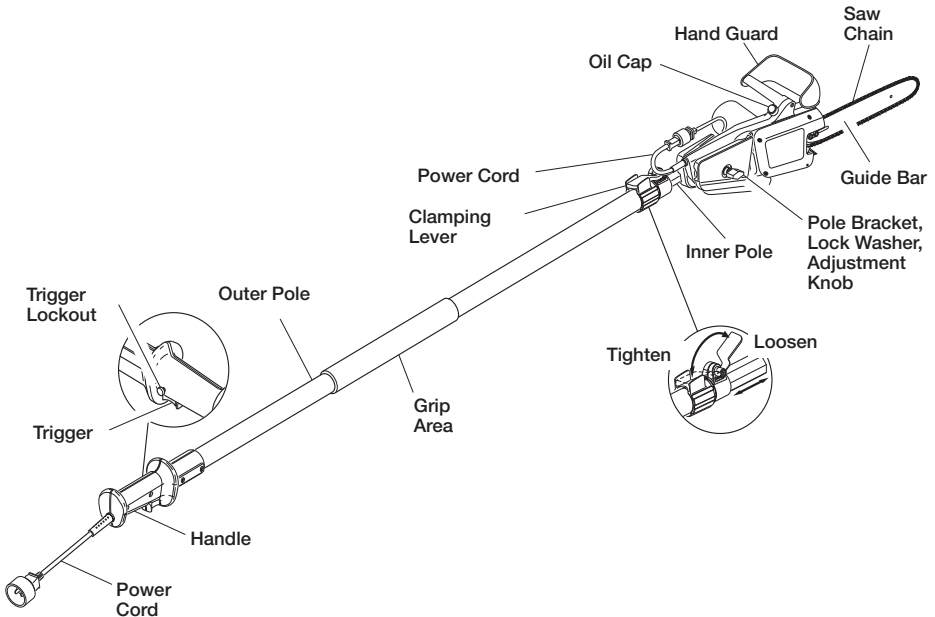
# PRODUCT IDENTIFICATION

## CHAIN SAW - ALL MODELS



## POLESAW

### MODELS: 104317, PS1510A





## CHAIN SAW TERMS AND DEFINITIONS

**Bucking** Process of cutting a felled tree or log into lengths.

**Clamping Lever** Lever is loosened to allow inner pole to be adjusted and tightened to hole pole in position.

**Felling** Process of cutting down a tree.

**Felling Cut** Final cut when felling a tree. Make this cut on opposite side of tree from notching cut.

**Front Handle** Located at front of saw body.

**Front Hand Guard** Shield between front handle and guide bar. Protects left hand while using saw.

**Guide Bar** Metal bar that extends from saw body. The guide bar supports and guides chain.

**Guide Bar Nose** Tip or end of guide bar.

**Inner Pole** The moveable section of tubing to which the saw is attached.

**Kickback** Quick backward and upward motion of guide bar. Kickback may occur when tip of guide bar touches an object while chain is moving. The guide bar will kick up and back towards operator.

**Limbing** Process of cutting limb(s) from a felled tree.

**Low-Kickback Chain** Chain that reduces chance of kickback as required by ANSI B175.1.

**Normal Cutting Position** Stance used while making bucking and felling cuts.

**Notching Cut** Notch cut in tree that directs fall of tree.

**Oiler Control** System for oiling guide bar and chain.

**Outer Pole** Retains the moveable inner pole.

**Power Head** Chain saw without chain and guide bar. Also known as saw body.

**Pushback (Kickback, Pinch)** Rapid pushback of chain saw. Pushback may occur if chain along top of guide bar is pinched, caught, or contacts a foreign object.

**Rear Handle** Handle located at rear of saw body.

**Reduced Kickback Guide Bar** Guide bar that reduces chance of kickback.

**Replacement Chain** Chain that complies with ANSI B175.1 when used with a specific saw. It may not meet ANSI requirements when used with other saws.

**Saw Chain (Chain)** Loop of chain having cutting teeth for cutting wood. The motor drives chain. The guide bar supports chain.

**Spiked Bumper (Spike)** Pointed teeth at front of saw body beside guide bar. Keep spiked bumper in contact with wood when felling or bucking. It helps maintain position of saw while cutting.

**Sprocket** Toothed wheel that drives chain.

**Switch** Device that completes or interrupts electrical circuit to motor of saw.

**Switch Linkage** This device connects switch to trigger. It moves switch when you squeeze trigger.

**Trigger Switch Lockout** Device that reduces accidental starting of saw.

**Trigger** Device that turns saw on and off. Squeezing trigger turns saw on. Releasing trigger turns saw off.

**Trimming (Pruning)** Process of cutting limb(s) from a living tree.

**Undercut** An upward cut from underside of log or limb. This is done while in normal cutting position and cutting with top of guide bar.

# CHAIN SAW INFORMATION

## CHAIN SAW HARDWARE

The plastic hardware bags should include the following:

- (2) Guidebar bolts
- (2) Guidebar nuts
- (1) Phillips self tapping screw
- (1) Saw chain
- (1) Guide bar
- (1) Hand guard
- (1) Scabbard

## CHAIN SAW ASSEMBLY

Assemble the chain saw before assembling the pole.

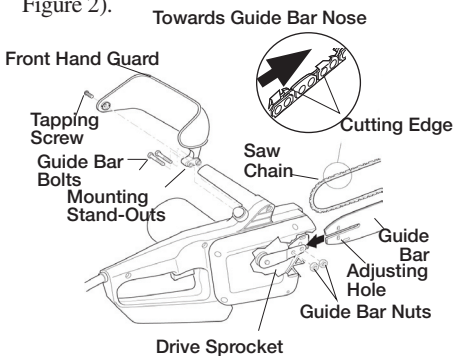
Note: Some models are pre-assembled. Assembly is not needed on these models.

See *Saw Chain Tension Adjustment*, page 11.

**WARNING: Cutting edges on chain are sharp. Use protective gloves when handling chain.**

**IMPORTANT: Do not clamp chain saw in vise during assembly.**

1. Lay chain out flat.
2. Install front hand guard onto saw body. Do this by pressing two mounting stand-outs on hand guard into hex-shaped holes in saw body (see Figure 2).



**Figure 2 - Assembling Guide Bar, Chain, and Hand Guard**

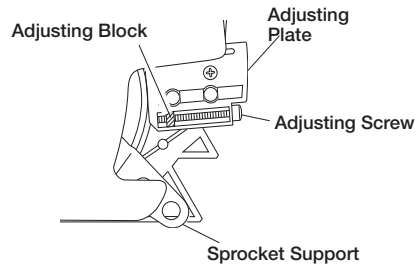
3. Insert tapping screw through hand guard and into saw handle. Tighten screw firmly.
4. Turn adjusting screw counterclockwise (see Figure 3). Continue to turn adjusting screw until adjusting block is to rear of adjusting plate.
5. Install guide bar onto saw body. Place rear of guide bar between adjusting plate and sprocket support.

6. Line up holes on sprocket support with center slot on guide bar and holes in saw body.
7. Insert guide bar bolts through front hand guard, saw body, center slot of guide bar, and sprocket support. Attach guide bar nuts to guide bar bolts.

**IMPORTANT:** Tighten guide bar nuts finger tight only. Make sure adjusting block is in oval adjusting hole on guide bar.

8. Place chain around drive sprocket, then along top groove of guide bar and around guide bar nose. Note: Make sure cutting edges of chain are facing the right direction. Position chain so cutting edges on top of guide bar face guide bar nose (see Figure 2).
9. Adjust saw chain tension. Follow steps under *Saw Chain Tension Adjustment*, page 11.

**CAUTION: Do not place chain on saw backwards. If chain is backwards, saw will vibrate badly and will not cut.**



**Figure 3 - Part Locations For Assembling Guide Bar**

# CHAIN SAW INFORMATION

## SAW CHAIN TENSION ADJUSTMENT

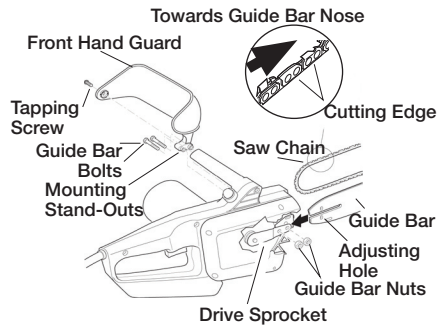
**⚠ WARNING: Unplug chain saw from power source before adjusting saw chain tension.**

**⚠ WARNING: Cutting edges on chain are sharp. Use protective gloves when handling chain.**

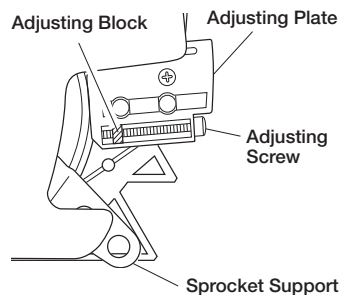
**⚠ WARNING: Maintain proper chain tension always. A loose chain will increase the risk of kickback. A loose chain may jump out of guide bar groove. This may injure operator and damage chain. A loose chain will cause chain, guide bar, and sprocket to wear rapidly.**

**Note:** For pre-assembled models, the saw chain tension is properly set at factory. A new chain will stretch. Check new chain after first few minutes of operation. Allow chain to cool down. Follow steps below to readjust saw chain tension.

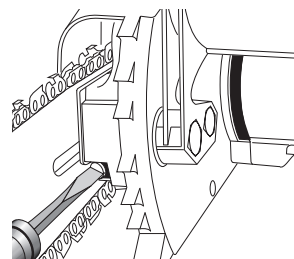
1. Before adjusting chain, make sure guide bar nuts are only finger tight (see Figure 4). Also make sure adjusting block is in oval adjusting hole on guide bar (see Figures 4 and 5).
2. Turn adjusting screw clockwise. (see Figure 6). Note: There should be no gap between side links of chain and bottom of guide bar (see Figure 7).
3. Wearing protective gloves, move chain around guide bar. Chain should move freely. If chain does not move freely, loosen chain by turning adjusting screw counterclockwise.
4. After chain tension is correct, tighten guide bar nuts firmly. If not, guide bar will move and loosen chain tension. This will increase the risk of kickback. This can also damage saw. Note: A new chain will stretch. Check new chain after first few minutes of operation. Allow chain to cool down. Readjust chain tension.



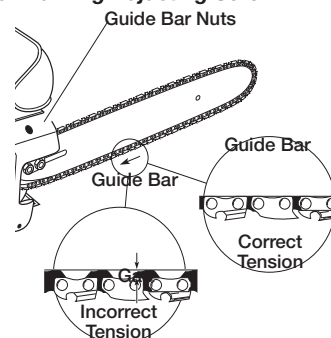
**Figure 4 - Assembling Guide Bar, Chain, and Hand Guard**



**Figure 5 - Part Locations For Assembling Guide Bar**



**Figure 6 - Turning Adjusting Screw**



**Figure 7 - Saw Chain Adjustment**

# CHAIN SAW INFORMATION

## EXTENSION CORDS

Use proper extension cords with this saw. Use only extension cords marked for outdoor use. The cord must be marked with suffix W or W-A following the cord type designation. Example: SJTW-A or SJTW.

Use proper sized cord with this saw. Cord must be heavy enough to carry current needed. An undersized cord will cause voltage drop at saw. Saw will lose power and overheat. Follow cord size requirements listed below.

| Cord Length | AWG Cord Size |
|-------------|---------------|
| 25 feet     | 16 AWG        |
| 50 feet     | 16 AWG        |
| 100 feet    | 16 AWG        |
| 150 feet    | 14 AWG        |

Keep cord away from cutting area. Make sure cord does not catch on branches or logs during cutting. Inspect cords often. Replace damaged cords.

The extension cord may come undone from the power cord during use. To avoid this, make a knot with the two cords as shown in Figure 8.

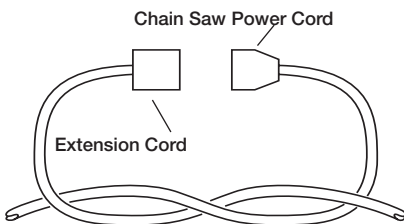


Figure 8 - Tying Extension Cord and Power Cord in Knot

## FILLING OIL TANK

1. Remove oil cap.
2. Fill oil tank with SAE #30 motor oil. **Note:** For temperatures below 30°F, use SAE #10 oil. For temperatures above 75°F, use SAE #40 oil.

**IMPORTANT: Do not use "bar and chain" oil. It is too thick and may not oil properly.**

3. Replace oil cap at once. Tighten oil cap firmly for good seal. This will minimize oil seepage from tank.
4. Wipe off excess oil.

**Note: It is normal for oil to seep when saw is not in use. Empty oil tank after each use to prevent seepage.**

## OILING CHAIN

Always check oil level before using saw. Do not attempt to operate the oil system while saw is in operation. To oil chain, press squeeze bulb. Oil will feed onto the guide bar and chain. Press squeeze bulb at least once before each cut (see Figure 9). Check oil level often by looking at oil sight level hole. Oil sight level hole is on left side of saw, between front handle and front hand guard.

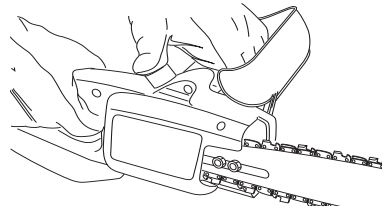
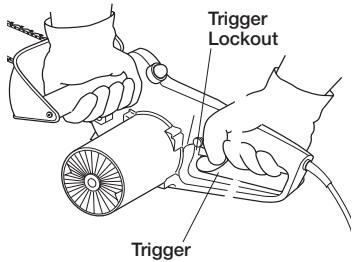


Figure 9 - Pressing Squeeze Bulb on Oil Cap to Oil Chain

## CUTTING WITH THE CHAIN SAW

1. Connect saw to extension cord. Connect extension cord to power supply.
2. Make sure section of log to be cut is not laying on ground. This will keep chain from touching ground as it cuts through log. Touching ground with moving chain will dull chain.
3. Use both hands to grip saw. Always use left hand to grip front handle and right hand to grip rear handle. Use firm grip. Thumbs and fingers must wrap around saw handles (see Figure 10, page 13).
4. Make sure your footing is firm. Keep feet apart. Divide your weight evenly on both feet.
5. When ready to make a cut, press in trigger lockout with right thumb and squeeze trigger (see Figure 10, page 13). This will turn saw on. Releasing trigger will turn saw off. Make sure saw is running at full speed before starting a cut.
6. When starting a cut, place moving chain against wood. Hold saw firmly in place to avoid possible bouncing or skating (sideways movement) of saw.



**Figure 10 - Trigger Lockout and Trigger Location**

7. Guide saw using light pressure. Do not force saw. The motor will overload and can burn out. It will do the job better and safer at the rate for which it was intended.
8. Remove saw from a cut with saw running at full speed. Stop saw by releasing trigger. Make sure chain has stopped before setting saw down.
9. Practice until you can maintain a steady, even cutting rate.

**FELLING A TREE  
(Cutting Down a Tree)**

**⚠️ WARNING:**

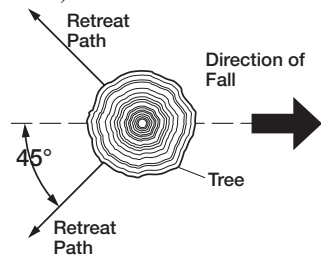
- **Avoid kickback.** Kickback can result in severe injury or death. See *Kickback*, page 5, to avoid risk of kickback.
- **Do not fell a tree without ample skill or expert help.**
- **Keep children, animals, and bystanders away from area when felling a tree.**
- **If two or more persons perform bucking and felling operations at the same time, provide ample distance between operations. Provide distance of at least twice the height of tree being felled.**

**⚠️ WARNING:** When felling a tree, be aware of your surroundings. Do not endanger any person, strike utility lines, or cause property damage. If tree strikes utility lines, contact utility company at once.

Felling is the process of cutting down a tree. Make sure your footing is firm. Keep feet apart. Divide your weight evenly on both feet. Follow directions below to fell a tree.

**BEFORE FELLING A TREE**

1. Before felling, inspect tree. Make sure there are no dead limbs or branches that may fall on you. Study natural lean of tree, location of larger branches, and wind direction. This will help you judge which way tree will fall.
2. Clear work area around tree.
3. Plan and clear a retreat path before felling. Make retreat path opposite to planned direction of fall of tree and at 45° angle (see Figure 11 ).



**Figure 11 - Retreat Path From Tree**

4. Remove dirt, stones, loose bark, nails, staples, and wire from tree where you will make felling cuts.
5. Stay on uphill side when felling tree. Tree could roll or slide downhill after falling.

# CHAIN SAW INFORMATION

## Felling Procedure

### A) Felling Notch

A properly placed felling notch will determine direction tree will fall. Place felling notch on side of tree in direction you want tree to fall (see Figure 12). Follow directions below to create a felling notch.

1. Make lower notch cut as close to ground as possible. Hold saw so guide bar is horizontal. Cut 1/3 the diameter of tree trunk (see Figure 12). Note: Always make this horizontal lower notch cut first. If you make this cut second, tree can pinch chain or guide bar.
2. Start upper notch cut the same distance above first cut as first cut is deep.  
Example: If lower notch cut is eight inches deep, start upper notch cut eight inches above it. Cut downward at 45° angle. The upper notch cut should meet end of lower notch cut (see Figure 12).
3. Remove tree trunk wedge created by notching cuts.

3. As felling cut nears hinge, tree should begin to fall. Note: If needed, drive wedges into felling cut to control direction of fall. If tree settles back and pinches chain, drive wedges into felling cut to remove saw. Only use wedges made of wood, plastic, or aluminum. Never use wedge made of steel. This could cause kickback and damage to chain.
4. When tree begins to fall, quickly
  - remove saw from felling cut
  - release trigger to turn saw off
  - put saw down
  - exit area using retreat path

**⚠ WARNING: Be alert for falling overhead limbs. Watch your footing while exiting area.**

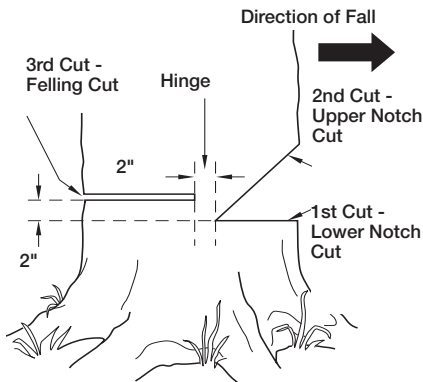


Figure 12 - Felling A Tree

### B) Felling Cut

1. Make felling cut two inches higher than lower notch cut and on opposite side of tree (see Figure 12). Keep felling cut parallel to lower notch cut.
2. Cut towards notch.

**⚠ WARNING: Do not cut all the way through tree. Leave about two inches of tree diameter uncut directly behind felling notch (see Figure 12). This uncut portion acts as a hinge. The hinge helps keep tree from twisting and falling in wrong direction.**

# CHAIN SAW INFORMATION

## LIMBING A TREE

**⚠ WARNING: Avoid kickback. Kickback can result in severe injury or death. See *Kickback*, page 5, to avoid risk of kickback.**

**⚠ WARNING: When cutting limb that is under tension, use extreme caution. Be alert for wood springing back. When wood tension is released, limb could spring back and strike operator causing severe injury or death.**

Limbing is removing branches from a fallen tree. Make sure your footing is firm. Keep feet apart. Divide your weight evenly on both feet. Do not remove larger limbs under tree that support log off ground. Remove each limb with one cut (see Figure 13). Clear cut limbs from work area often. This will help maintain a safe work area. Make sure you start your cut where limb will not pinch saw during cutting. To avoid pinching, start cut on freely hanging limbs from above limb. Start cut on limbs under tension from under limb. If pinch occurs, turn saw off, lift limb, and remove saw.

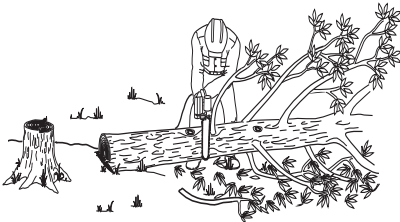


Figure 13 - Limbing A Tree

## BUCKING A LOG

**⚠ WARNING: Avoid kickback. Kickback can result in severe injury or death. See *Kickback*, page 5, to avoid risk of kickback.**

Bucking a log is cutting a log into sections. Make sure your footing is firm. Keep feet apart. Divide your weight evenly on both feet. When possible, raise log or section off ground. Do this by using limbs, logs, chocks, etc.

When cutting through log, maintain control by reducing cutting pressure near end of cut. Do not relax your grip on chain saw handles. Do not let moving chain touch ground. Ground will dull moving chain. After cutting through log, release trigger to turn saw off before moving saw.

Follow directions below to buck a log.

### Entire Length Of Log On Ground

Cut log from top (see Figure 14).

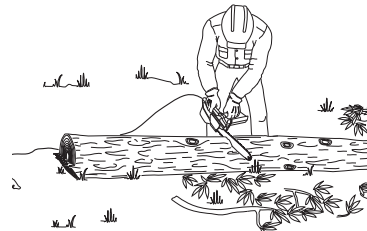


Figure 14 - Bucking Log With Entire Length On Ground

# CHAIN SAW INFORMATION

## ⚠ WARNING:

- If on slope, make sure log will not roll down hill. Secure log by using wooden stakes. Drive wooden stakes into ground on downhill side of log. Stand on uphill side of log while cutting. Log may roll after cutting.
- Never try cutting through two logs at same time. This could increase the risk of kickback.
- While cutting log, never hold log with your hand, leg, or foot.
- While cutting log, never allow another person to hold log.
- Turn off and unplug saw before moving from one place to another.

### Log Supported On One End

1. Make first cut on underside of log (see Figure 15). Use top of guide bar to make this cut. Cut 1/3 through diameter of log. This cut will keep section from splintering when cut.
2. Make second cut directly above first cut. Cut down to meet first cut. This cut will keep log from pinching guide bar and chain.

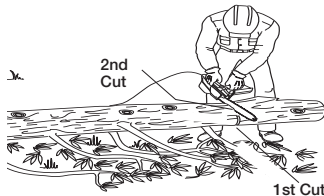


Figure 15 - Bucking Log When Log Is Supported On One End

### Log Supported On Both Ends

1. Make first cut from above log (see Figure 16). Cut 1/3 through diameter of log. This cut will keep section from splintering when cut.
2. Make second cut on underside of log, directly under first cut. Use top of guide bar to make this cut. Cut up to meet first cut. This will keep log from pinching guide bar and chain.



Figure 16 - Bucking Log When Log Is Supported On Both Ends

## TRIMMING A TREE (PRUNING)

⚠ WARNING: Avoid kickback. Kickback can result in severe injury or death. See *Kickback*, page 5, to avoid risk of kickback.

⚠ WARNING: Do not operate pole saw while:

- in a tree
- on a ladder or any other unstable surface
- in any awkward position

You may lose control of pole saw causing severe injury.

⚠ WARNING: Do not extend arms above shoulders when using pole saw.

⚠ CAUTION: Seek professional help if facing conditions beyond your ability.

Trimming a tree is the process of cutting limbs from a living tree. Make sure your footing is firm. Keep feet apart. Divide your weight evenly on both feet. Follow directions below to trim a tree.

1. Make first cut six inches from tree trunk on underside of limb. Use top of guide bar to make this cut. Cut 1/3 through diameter of limb (see Figure 17).
2. Move two to four inches farther out on limb. Make second cut from above limb. Continue cut until you cut limb off.
3. Make third cut as close to tree trunk as possible on underside of limb stub. Use top of guide bar to make this cut. Cut 1/3 through diameter of stub.
4. Make fourth cut directly above third cut. Cut down to meet third cut. This will remove limb stub.

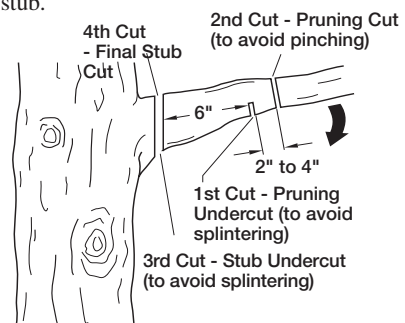


Figure 17 - Cutting A Limb



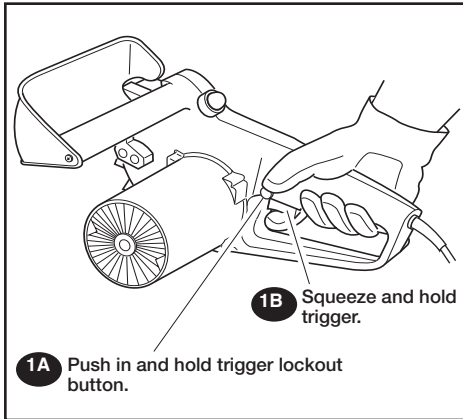
# POLE SAW INFORMATION

## POLE SAW ASSEMBLY RPS2N1

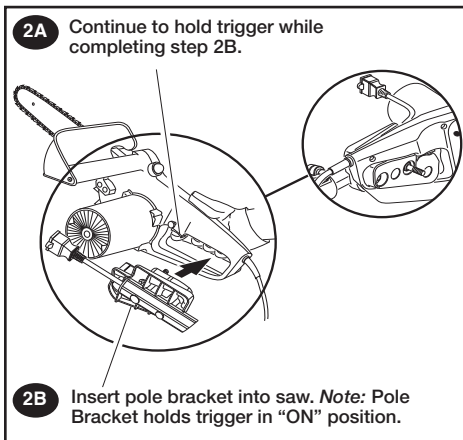
The hardware bag contains the following items:

- (1) Handle Bracket
- (1) Knob
- (1) .250" Lock Washer

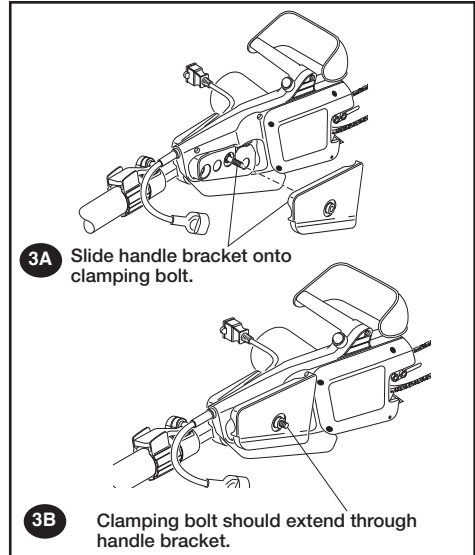
### Step 1 – Squeeze Trigger



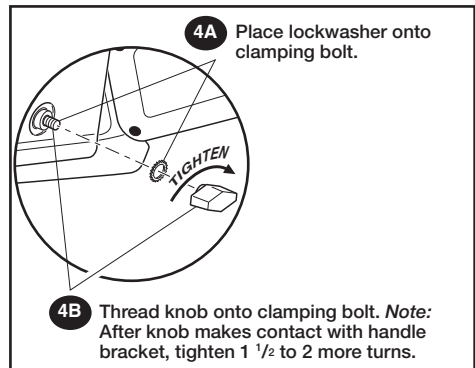
### Step 2 – Insert Pole Bracket into Saw



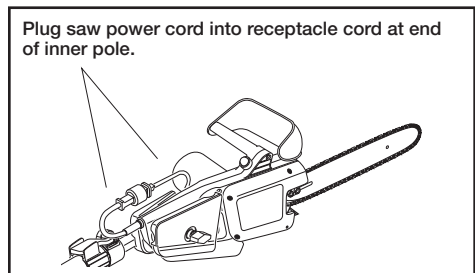
### Step 3 – Attach Handle Bracket to Pole Bracket



### Step 4 – Secure Handle Bracket to Pole Bracket



### Step 5 – Connect to Power Cord



ENGLISH

# POLE SAW INFORMATION

## ADJUSTING POLE LENGTH

### RPS2N1

The Remington RPS2N1 Pole Saw has a telescoping pole assembly that will extend from 57 inches (fully retracted) to 96 inches (fully extended). A cam levered collet is used to hold the pole in position at any extended length.

1. To extend the pole, loosen the clamping lever (see Figure 18). Pole will slide freely.
2. Pull inner pole section out to desired length of extension. Note: Only extend pole to minimum length required to reach limb that is being cut.
3. To lock pole in position, tighten clamping lever (see Figure 18).

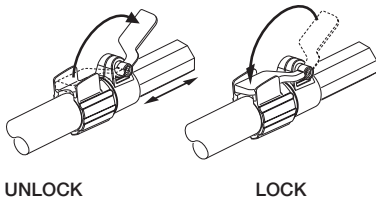


Figure 18 - Extending Telescopic Pole

## CUTTING WITH THE POLE SAW

1. Connect saw to extension cord. Connect extension cord to power supply.
2. Use both hands to grip pole saw. Use only designated grip areas when operating pole saw (see Figure 19). Use firm grip. Thumbs and fingers must wrap around pole saw handle and pole.
3. Make sure your footing is firm. Keep feet apart. Divide your weight evenly on both feet.
4. When ready to make a cut, press in trigger lockout and squeeze trigger (see Figure 20). This will turn pole saw on. Releasing trigger will turn pole saw off. Make sure saw is running at full speed before starting a cut.
5. When starting a cut, place moving chain against wood. Hold pole saw firmly in place to avoid possible bouncing or skating (sideways movement) of saw.
6. Guide pole saw using light pressure. Do not force pole saw. The motor will overload and can burn out. It will do the job better and safer at the rate for which it was intended.
7. Remove pole saw from a cut with saw running at full speed. Stop pole saw by releasing trigger. Make sure chain has stopped before setting pole saw down.

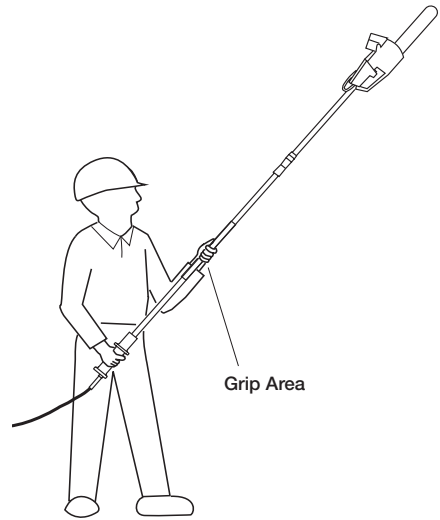


Figure 19 - Designated Grip Areas

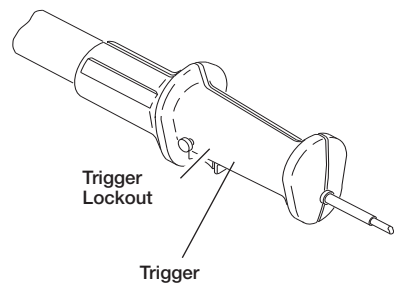


Figure 20 - Pole Saw Handle with Trigger Lockout

# CLEANING AND MAINTENANCE

**NOTICE:** These are instructions for servicing your chain saw. Any servicing not mentioned should be done by an authorized service center.

## CLEANING SAW BODY

**WARNING:** Unplug chain saw from power source before servicing. Severe injury or death could occur from electrical shock or body contact with moving chain.

**WARNING:** Cutting edges on chain are sharp. Use protective gloves when handling chain.

**WARNING:** When cleaning saw body,

- do not submerge saw in any liquids
- do not use products that contain ammonia, chlorine, or abrasives
- do not use chlorinated cleaning solvents, carbon tetrachloride, kerosene, or gasoline

Keep saw body clean. Use a soft cloth dampened with a mild soap and water mixture. Wipe saw body to clean.

## CARE OF GUIDE BAR

Uneven bar wear causes most guide bar problems. Incorrect sharpening of chain cutter and depth gauge settings often cause this. When bar wears unevenly, it widens guide bar groove (see Figure 21). This causes chain clatter and rivet popping. Saw will not cut straight. Replace guide bar if this occurs.

Inspect guide bar before sharpening chain. A worn or damaged guide bar is unsafe. A worn or damaged guide bar will damage chain. It will also make cutting harder.

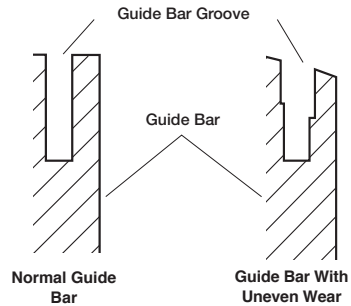


Figure 21 - Guide Bar Cross Section Showing Uneven Bar Wear

## Normal Guide Bar Maintenance

1. Remove guide bar from chain saw.
2. Remove sawdust from guide bar groove periodically. Use putty knife or wire (see Figure 22).
3. Clean oil slots after each day of use.
4. Remove burrs from sides of guide bar. Use flat file to make side edges square.

Replace guide bar when

- bar is bent or cracked
- inside groove of bar is badly worn

Note: When replacing guide bar, see Replacement Parts and Accessories, page 21, for replacement information. See Parts List, page 76, for correct bar.

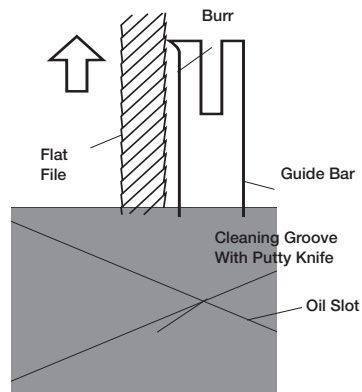


Figure 22 - Guide Bar Maintenance

# CLEANING AND MAINTENANCE

## SHARPENING SAW CHAIN

**⚠ WARNING: Unplug chain saw from power source before servicing. Severe injury or death could occur from electrical shock or body contact with moving chain.**

**⚠ WARNING: Cutting edges on chain are sharp. Use protective gloves when handling chain.**

Keep chain sharp. Your saw will cut faster and more safely. A dull chain will cause undue sprocket, guide bar, chain, and motor wear. If you must force chain into wood and cutting creates only saw dust with few large chips, chain is dull.

### Items Needed to Sharpen Chain

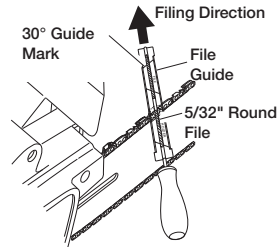
Purchase these items from your local dealer, hardware store, or chain saw supplies outlet.

- 5/32" round file
- Depth gauge tool
- File guide
- Vice
- Medium sized flat file

### Sharpening Cutters

Use file guide for 30° filing.

1. Adjust chain for proper tension (see *Saw Chain Tension Adjustment*, page 11).
2. Clamp guide bar in vise to hold saw steady. Note: Do not clamp chain.
3. Press 5/32" round file (attached to file guide) into groove between top plate and depth gauge on chain. File guide should rest on both top plate and depth gauge (see Figure 23). Note: File at midpoint of guide bar.
4. Hold file guide level. Make sure 30° mark on file guide is parallel to center of guide bar (see Figure 23). This will insure that you file cutters at 30° angle.
5. File from inside towards outside of cutter until sharp. Only file in this one direction (see Figure 23). Note: Two or three strokes with file should sharpen cutter.
6. After each cutter is sharpened, move chain forward to sharpen next cutter. File all cutters on one side of chain.
7. Move to other side of chain and repeat process.



**Note:** This illustration shows file guide placement and filing direction for sharpening cutters on left side of chain.

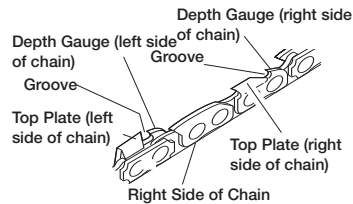
**Figure 23 - File and File Guide Placement On Chain**

### Filing Cutter Depth Gauges

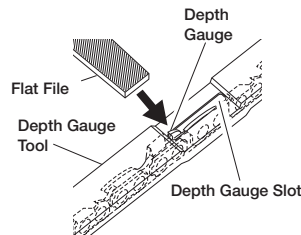
The cutter depth gauge clearance is reduced as cutters are sharpened. After every second or third sharpening, reset cutter depth gauges.

1. Place depth gauge tool (.025") firmly across top of two cutters. Make sure depth gauge enters slot in depth gauge tool (see Figure 25).
2. Use medium flat file. File depth gauge level with depth gauge tool.
3. Remove depth gauge tool. With flat file, round off front corner of cutter depth gauge (see Figure 26).

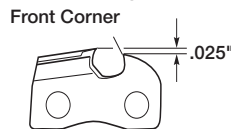
After several hand filings, have authorized service center or sharpening service machine sharpen chain. This will insure even filing.



**Figure 24 - Chain Part Locations**



**Figure 25 - Depth Gauge Tool On Chain**



**Figure 26 - Round Off Front Corner Of Depth Gauge**

## CLEANING AND MAINTENANCE

### REPLACING SAW CHAIN

Replace chain when cutters are too worn to sharpen or when chain breaks. Only use replacement chain noted in this manual. Always include new drive sprocket when replacing chain. This will maintain proper driving of chain. Note: For proper chain and drive sprocket, see Parts List, page 74.

Replacement saw chains may be available at your local hardware or home improvement store.

The following list gives the specifications for replacement chains.

All chains will be .050 gauge, 3/8 pitch.

8" chainsaws have 34 drive links

10" chains have 39 drive links

You may also order the replacement saw chains from the "Online Outlet" at [www.desatech.com](http://www.desatech.com) using the part number listed in the illustrated parts list on pages 72-74 of this manual.

### STORAGE

If storing saw for more than 30 days, follow steps below:

1. Drain oil tank after each use.
2. Remove and clean guide bar and chain. Clean guide bar and chain by soaking in petroleum based solvent or mild soap and water mixture.
3. Dry guide bar and chain.
4. Place chain in container filled with oil. This will prevent rust.
5. Wipe a thin coating of oil over surface of guide bar.
6. Wipe off outside of saw body. Do this with soft cloth dampened with a mild soap and water mixture.
7. Store chain saw
  - in a high or locked place, out of children's reach
  - in a dry place

### TECHNICAL SERVICE

You may have further questions about assembling, operating, or maintaining this product. If so, you can visit our Technical Service web site at [www.desatech.com](http://www.desatech.com) or contact our Technical Service Department at 1-800-626-2237 (English Only). You may also write to:

DESA Power Tools

ATTN: Technical Service

P.O. Box 90004


Bowling Green, KY 42102-9004

When contacting DESA Power Tools, have ready

- Your Name
- Your Address
- Your Phone Number
- Model Number of Product
- Date of Purchase (Include copy of receipt for written requests).

We reserve the right to amend these specifications at any time without notice. The only warranty applicable is our standard written warranty. We make no other warranty, expressed or implied.

### REPLACEMENT PARTS AND ACCESSORIES

 **WARNING: Use only replacement parts and accessories described in this manual. Use of other parts or accessories could damage saw or injure operator.**

For original replacement parts and accessories, contact your nearest Authorized Dealer or Authorized Service Center for this product. If they can not supply the part or accessory, contact your nearest Parts Central listed on page 75. Each Authorized Dealer, Authorized Service Center, and Parts Central is independently owned and operated. You may also order parts from the "Online Outlet" at [www.desatech.com](http://www.desatech.com).

See pages 72 through 74 for an Illustrated Parts List.

If you need additional referral information, contact our Technical Service Department (see Technical Service).

In Canada call 1-800-561-3372 for parts and service information.

## TROUBLESHOOTING

**Note:** For additional help, visit DESA Power Tools technical service web site at [www.desatech.com](http://www.desatech.com).

**⚠ WARNING: Unplug chain saw from power source before servicing. Severe injury or death could occur from electrical shock or body contact with moving chain.**

| OBSERVED FAULT   | POSSIBLE CAUSE  | REMEDY   |
|--|---|--|
| Saw runs, but does not cut   | Chain assembled backwards on guide bar  | See <i>Chain Saw Assembly</i> , page 10  |
| Saw does not cut unless heavily forced. Cutting produces only sawdust with few large chips | Chain is dull   | See <i>Sharpening Saw Chain</i> , page 20  |
| Saw runs slow. Saw stalls easily   | Low power supply voltage  | Extension cord wire size too small. See <i>Extension Cords</i> , page 12   |
| Motor of saw does not run when you squeeze trigger   | <ol style="list-style-type: none"> <li>1. Trigger lockout not pressed in to release trigger</li> <li>2. Extension cord connections loose</li> <li>3. Open line fuse or circuit breaker</li> <li>4. Worn out motor brushes</li> <li>5. Open wiring circuit on saw</li> </ol> | <ol style="list-style-type: none"> <li>1. Press in trigger lockout before squeezing trigger</li> <li>2. Check cord connections</li> <li>3. Check line fuse or circuit breaker</li> <li>4. See authorized service center</li> <li>5. See authorized service center</li> </ol> |
| Motor of saw runs, but chain does not move   | Drive Sprocket Failure  | Remove and Inspect Drive Sprocket for damage   |
| Chain does not get oil   | <ol style="list-style-type: none"> <li>1. Clogged oil slot in guide bar</li> <li>2. Oil is too thick</li> </ol>   | <ol style="list-style-type: none"> <li>1. Remove guide bar and clean oil slot</li> <li>2. Use correct weight of oil. See <i>Filling Oil Tank</i>, page 12</li> </ol>   |
| Chain comes off guide bar  | <ol style="list-style-type: none"> <li>1. Chain is loose</li> <li>2. Guide bar and chain not assembled correctly</li> </ol>   | <ol style="list-style-type: none"> <li>1. Tighten chain. See <i>Saw Chain Tension Adjustment</i>, page 11</li> <li>2. See <i>Chain Saw Assembly</i>, page 10</li> </ol>  |
| Saw smokes   | Saw damaged. Do not use saw   | See authorized service center  |
| Saw leaks oil  | It is normal for oil to seep when the saw is not in use.  | Note: Empty oil tank when not in use   |

### REPAIR SERVICE

Note: Only use original replacement parts. This will protect your warranty coverage for parts replaced under warranty.

Each Authorized Service Center is independently owned and operated.

### WARRANTY SERVICE

If product requires warranty service, return it to nearest Authorized Service Center. You must show proof of purchase. If faulty materials or workmanship caused damage, we will repair or replace product without charge.

Note: Normal wear, misuse, abuse, neglect, or accidental damage is not covered under warranty.

### NON-WARRANTY SERVICE

If product requires service, return it to nearest Authorized Service Center. Repairs will be billed to you at regular repair list prices.

For additional Service Center or warranty information, call 1-800-626-2237 or visit our Technical Service web site at [www.desatech.com](http://www.desatech.com).

## WARRANTY INFORMATION

### REMINGTON BRAND ELECTRIC CHAIN SAW LIMITED WARRANTIES

#### NEW PRODUCTS

##### Standard Warranty

DESA Power Tools warrants this new product and any parts thereof to be free from defects in material and workmanship for a period of one (1) year from the date of first purchase from an authorized dealer provided the product has been maintained and operated in accordance with DESA Power Tools' warnings and instructions.

#### FACTORY RECONDITIONED PRODUCTS

##### Limited Warranty

DESA Power Tools warrants factory reconditioned products and any parts thereof to be free from defects in material and workmanship for 90 days from the date of first purchase from an authorized dealer provided the product has been installed, maintained and operated in accordance with DESA Power Tools' warnings and instructions.

#### TERMS COMMON TO ALL WARRANTIES

##### The following terms apply to all of the above warranties:

- Always specify model number when contacting the manufacturer. To make a claim under this warranty the bill of sale or other proof of purchase must be presented.
- This warranty is extended only to the original retail purchaser when purchased from an authorized dealer.
- This warranty covers the cost of part(s) required to restore this product to proper operating condition and an allowance for labor when provided by a DESA Power Tools Authorized Service Center. Warranty parts must be obtained through authorized dealers of this product and/or DESA Power Tools who will provide original factory replacement parts. Failure to use original factory replacement parts voids this warranty.
- Travel, handling, transportation, diagnostic, material, labor and incidental costs associated with warranty repairs, unless expressly covered by this warranty, are not reimbursable under this warranty and are the responsibility of the owner.
- Excluded from this warranty are products or parts that fail or become damaged due to misuse, accidents, lack of proper maintenance, tampering, or alterations.
- Excluded from this warranty are products purchased for commercial, industrial or rental usage.
- This is DESA Power Tools' exclusive warranty, and to the full extent allowed by law; this express warranty excludes any and all other warranties, express or implied, written or verbal and limits the duration of any and all implied warranties, including warranties of merchantability and fitness for a particular purpose to one (1) year on new products and 90 days on factory reconditioned products from the date of first purchase. DESA Power Tools makes no other warranties regarding this product.
- DESA Power Tools' liability is limited to the purchase price of the product, and DESA Power Tools shall not be liable for any other damages whatsoever under any circumstances including indirect, incidental, or consequential damages.
- Some states do not allow limitations on how long an implied warranty lasts or the exclusion or limitation of incidental or consequential damages, so the above limitation or exclusion may not apply to you.
- This warranty gives you specific legal rights, and you may also have other rights which vary from state to state.

For information about this warranty contact:



Bowling Green, KY 42102-9004  
800-626-2237 (English Only)  
www.desatech.com

|                      |
|----------------------|
| Model _____          |
| Date Purchased _____ |

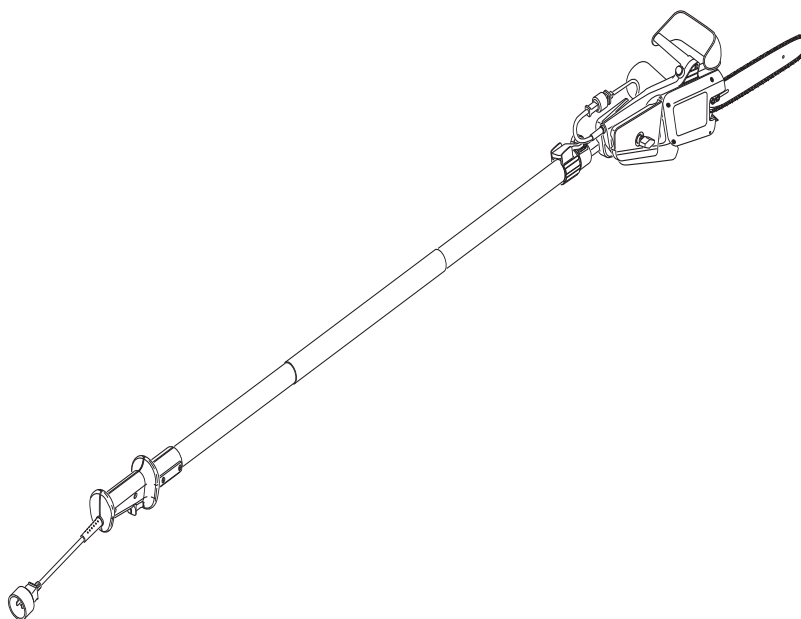


Industries of Canada, Inc.  
82 Akron Road  
Toronto, Ontario  
M8W1T2  
416-255-5333  
Fax: 416-255-5677  
www.desatech.com

# REMINGTON®

## SIERRA ELÉCTRICA SIERRA ELÉCTRICA DE PÉRTIGA TELESCÓPICA

### MANUAL PARA EL USUARIO



Modelo RPS2N1: 104317, PS1510A

**IMPORTANTE:** Lea cuidadosamente este manual antes de armar u operar esta sierra eléctrica. El uso indebido de la misma puede provocar graves lesiones. Guarde este manual para consultarlo cuando lo necesite.





## INTRODUCCIÓN

Su sierra Remington de Pértiga Telescópica es un producto de doble propósito. La sierra eléctrica de cadena es una unidad que funciona separadamente cuando no está ensamblada a la Pértiga Telescópica. Antes de operar ya sea la sierra de cadena o la Sierra de Pértiga, asegúrese de haber leído y entendido toda la *Importante Información de Seguridad*.

## Contents

|   |           |
|---|-----------|
| <b>INFORMACIÓN IMPORTANTE DE SEGURIDAD.....</b>             | <b>26</b> |
| Antes de utilizar la sierra .....                           | 26        |
| Al utilizar la sierra .....                                 | 26        |
| Contragolpes .....  | 28        |
| Mantenimiento y almacenamiento de su sierra eléctrica.....  | 29        |
| Precauciones para Podar con la Sierra de Pértiga .....      | 30        |
| <b>DESEMBALAJE.....</b>                                     | <b>30</b> |
| <b>IDENTIFICACIÓN DEL PRODUCTO.....</b>                     | <b>31</b> |
| <b>TÉRMINOS Y DEFINICIONES DE LA SIERRA DE CADENA .....</b> | <b>32</b> |
| <b>INFORMACIÓN SOBRE LA SIERRA DE CADENA.....</b>           | <b>33</b> |
| Accesorios de la sierra de cadena .....                     | 33        |
| Ensamblado de la sierra de cadena.....                      | 33        |
| Ajuste de tensión de la cadena serrada.....                 | 34        |
| Cables de prolongación.....                                 | 35        |
| Lubricación .....   | 35        |
| Lubricación de la cadena .....                              | 35        |
| Realización de cortes .....                                 | 36        |
| Tala de un Árbol.....                                       | 36        |
| Desmembramiento de un Árbol.....                            | 38        |
| Trozado de un tronco .....                                  | 38        |
| Poda de un árbol .....                                      | 39        |
| <b>INFORMACIÓN SOBRE LA SIERRA DE PÉRTIGA.....</b>          | <b>40</b> |
| Ensamblado de la sierra de pértiga.....                     | 40        |
| Ajuste de la longitud de la sierra de pértiga .....         | 41        |
| Corts con la sierra de pértiga .....                        | 41        |
| <b>LIMPIEZA Y MANTENIMIENTO .....</b>                       | <b>42</b> |
| Limpieza del cabezal.....                                   | 42        |
| Cuidado de la barra de guía .....                           | 42        |
| Afilado de la cadena.....                                   | 43        |
| Recambio de la cadena serrada .....                         | 44        |
| <b>ALMACENAMIENTO .....</b>                                 | <b>44</b> |
| <b>SERVICIO TÉCNICO .....</b>                               | <b>45</b> |
| <b>ACCESORIOS Y PIEZAS DE REPUESTO .....</b>                | <b>45</b> |
| <b>SERVICIO DE REPARACIÓN .....</b>                         | <b>45</b> |
| <b>DIAGNÓSTICO Y RESOLUCIÓN DE PROBLEMAS.....</b>           | <b>46</b> |
| <b>INFORMACIÓN DE GARANTÍA.....</b>                         | <b>47</b> |
| <b>DESGLOSE ILUSTRADO DE PARTES .....</b>                   | <b>72</b> |
| RPS2N1: 104317, 106821, 106821A, PS1510A.....               | 72        |
| Sierra eléctrica.....                                       | 73        |
| <b>CENTRAL DE PIEZAS .....</b>                              | <b>75</b> |

ESPAÑOL

## INFORMACIÓN IMPORTANTE DE SEGURIDAD

**⚠️ ADVERTENCIA:** Al utilizar una sierra eléctrica, deben seguirse siempre las precauciones de seguridad básicas para reducir el riesgo de incendios, choque eléctrico y lesiones a personas, incluyendo las siguientes:

### LEA TODAS LAS INSTRUCCIONES

Asegúrese de leer y comprender completamente todas las instrucciones en Información importante de seguridad en las páginas 26 y 30. El uso indebido de esta sierra eléctrica puede provocar lesiones graves (y aun la muerte) a causa de incendio, shock eléctrico, el contacto del cuerpo con la cadena en movimiento o la caída de un trozo de árbol.

### ANTES DE UTILIZAR LA SIERRA

1. Lea detenidamente este manual para el usuario antes de utilizar la sierra eléctrica.
2. Proceda con cautela. Utilice el sentido común. No utilice la sierra cuando se sienta cansado.
3. Utilice la sierra sólo para cortar madera. No la utilice con fines para los que no ha sido diseñada. No la use para cortar elementos que no sean de madera.
4. La Sierra de Pértiga o la sierra de cadena deberían ser operadas solamente por personas adultas bien instruidas. Nunca permita que sea utilizada por niños.
5. Utilice sólo el voltaje eléctrico indicado en la placa del modelo de la sierra.
6. Utilice sólo cables de prolongación diseñados para el aire libre. Consulte la página 45 para conocer las requisitos del cable de prolongación.
7. No opere la Sierra de Pértiga o la sierra de cadena
  - cuando se encuentre bajo la influencia de alcohol, medicamentos o drogas;
  - bajo la lluvia o en áreas húmedas o mojadas;
  - en presencia de líquidos o gases altamente inflamables;
  - Si la pértiga o la sierra está dañada, mal regulada, o no está completamente ensamblada y con firmeza;
  - si no es posible encenderla y apagarla mediante el gatillo. La cadena debe dejar de moverse al soltar el gatillo. Si el interruptor se encuentra defectuoso, hágalo reemplazar en un centro de servicios autorizado (consulte *Servicio Técnico* en la página 45).
8. Al utilizar la sierra, lleve ropa ajustada. No utilice ropa ni lleve accesorios sueltos, ya que éstos pueden quedar atrapados en la cadena en movimiento.
9. Cuando opere las sierras use el siguiente equipo de seguridad:
  - guantes resistentes (utilice guantes de goma para trabajar al aire libre);
  - calzado resistente con suelas no resbaladizas;
  - protección ocular, tal como gafas de seguridad o una pantalla facial;
  - casco de seguridad;
  - orejeras o tapones para los oídos;
  - cubrecabellos, especialmente si tiene cabello largo;
  - máscara contra el polvo (el trabajar en zonas polvorrientas).
10. Antes de comenzar a cortar, asegúrese de contar con:
  - zona de trabajo limpia;
  - calzado firme;
  - Una vía de retiro planificada para que caigan las ramas.
11. Inspeccione el árbol antes de talarlo. Asegúrese de que no tenga ramas o vástagos secos que puedan caerse encima. Deje que las ramas caigan al suelo libremente
12. No use su Sierra de Pértiga para cortar árboles tiernos. Use la sierra de cadena sin la pértiga.
13. Para reducir el riesgo de shock eléctrico, esta sierra tiene un enchufe polarizado (un conector es más ancho que el otro) y sólo entrará de una manera en un tomacorriente polarizado. Si el enchufe no entra completamente en el tomacorriente de su cable de prolongación, inviértalo. Si, aun así, tampoco entra, necesitará un cable de prolongación polarizado. No altere el enchufe de manera alguna.

### AL UTILIZAR LA SIERRA

1. Permanezca alerta. Use el sentido común mientras opere la unidad.
2. Mantenga limpia el área de trabajo. Las áreas de trabajo sucias pueden provocar lesiones.
3. Tenga en cuenta la posición del cable de prolongación. Asegúrese de no tropezar sobre él. Manténgalo alejado de la sierra y del operario en todo momento.

## INFORMACIÓN IMPORTANTE DE SEGURIDAD

4. Mantenga a los niños, animales y observadores alejados de la sierra y del cable de prolongación. Sólo el operario de la sierra debe permanecer en el área de trabajo.
5. No use la Sierra de Pértiga para talar árboles. Use la sierra de cadena sin la pértiga y solamente si Ud. está entrenado o tiene asistencia de experiencia.
6. No la use cerca de las líneas de energía. Mantenga al menos una distancia de 10 pies de las líneas eléctricas.
7. Si dos o más personas realizan tareas de tala y trozado al mismo tiempo, cerciórese de que haya una buena cantidad de espacio entre ellos. El espacio que separa a ambas personas debe ser por lo menos igual al doble de la altura del árbol que se está talando.
8. Asegure la madera que se ha de cortar mediante mordazas o cuñas.
9. Sujete la sierra firmemente con ambas manos. Nunca utilice la sierra con una sola mano. Nunca utilice el protector de mano a manera de mango.
10. Agarre la sierra de pértiga en forma segura. Ponga una mano en la pértiga y la otra en el asa.
11. No coloque el dedo en el gatillo hasta que esté listo para realizar el corte.
12. Antes de activar la sierra, asegúrese de que no se encuentre en contacto con nada.
13. Para protegerse de un shock eléctrico, evite el contacto corporal con objetos conectados a tierra tales como caños, vallas, cercas y postes de metal.
14. Mantenga todas las partes del cuerpo alejadas de la sierra mientras la cadena esté en movimiento.
15. Al cortar, no aplique gran fuerza a la sierra. Para realizar el trabajo de manera más segura, mejor y en la cantidad de tiempo para la cual fue diseñada la sierra, basta aplicar una ligera presión sobre ella.
16. No corte maleza ni ramas tiernas con la Sierra de Pértiga. Use solamente la sierra de cadena con extremo cuidado. Los materiales finos pueden atascarse en la cadena y azotar contra su cuerpo o provocar que pierda el equilibrio.
17. Proceda con sumo cuidado al cortar ramas o vástagos de árboles que se encuentran en tensión. Está preparado para actuar en caso de contragolpe de la madera. Al liberarse la tensión de la madera, la rama puede moverse hacia el operario, golpearlo y provocarle lesiones graves y aun la muerte.
18. Lleve la sierra eléctrica de un lugar a otro
  - con la cadena detenida y la sierra desenchufada;
  - Sierra de cadena - sosteniendo el asa frontal (nunca use la protección de las manos como asa)
  - Sierra de pértiga- Con la pértiga telescópica retraída a su posición más corta
  - Sierra de pértiga - Sosteniendo la pértiga en su punto de equilibrio (cerca del extremo de la sierra);
  - con el dedo fuera del gatillo;
  - con la barra de guía y la cadena mirando hacia atrás.

**⚠ ADVERTENCIA:** Este producto contiene sustancias químicas conocidas en el estado de California como causas de cáncer o de defectos al recién nacido o de otros daños de reproducción.

**⚠ ADVERTENCIA:** El polvo causado cuando se usan herramientas motorizadas para lijar, cortar, esmerilar y taladra, a igual que otras actividades de construcción, contienen sustancias químicas conocidas (en el estado de California) como causantes de cáncer, defectos al recién nacido u otros daños a los órganos de reproducción. Algunos ejemplos de estas sustancias químicas son:

- plomo de las pinturas hechas a base de plomo
- sílice cristalina proveniente de ladrillos y cemento y de otros productos de albañilería
- arsénico y cromo provenientes de madera tratada con sustancias químicas

Su riesgo debido a la exposición a estos elementos varía de acuerdo a cuán a menudo realiza este tipo de trabajo. Para reducir su exposición a estas sustancias químicas: trabaje en una área bien ventilada y use el equipo de seguridad aprobado tales como aquellas mascarillas contra el polvo diseñadas en forma especial para filtrar las partículas microscópicas.

ESPAÑOL

## INFORMACIÓN IMPORTANTE DE SEGURIDAD

**⚠ ADVERTENCIA:** Los contragolpes pueden ocurrir cuando el extremo o la punta de la barra de guía toca un objeto o cuando la madera “se cierra” y presiona la cadena dentro del corte. En algunos casos, el contacto de la punta de la barra puede provocar una rápida reacción de contragolpe y conducir la barra de guía repentinamente hacia arriba y hacia atrás, en dirección al operario. La compresión de la cadena serrada contra la barra de guía puede lanzar la sierra rápidamente hacia atrás, también en dirección al operario. Cualquiera de estas reacciones puede hacer que el operario pierda el control de la sierra y provocarle lesiones graves.

### CONTRAGOLPES Dispositivos de seguridad de esta sierra contra contragolpes

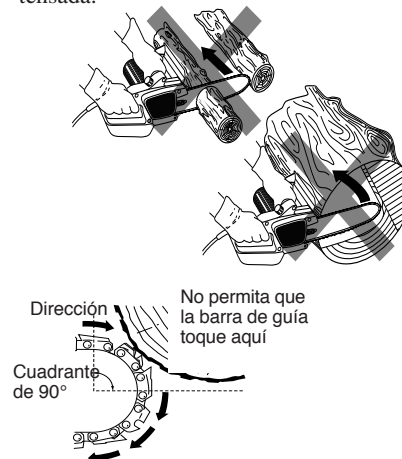
Esta sierra tiene una cadena de bajo contragolpe y una barra de guía de reducción de contragolpes. Ambas características reducen las probabilidades de contragolpe. Sin embargo, aún pueden ocurrir contragolpes con esta sierra.

Siga las instrucciones de *Ensamblaje* de la página 33. No retire el protector de mano frontal. No lo reemplace con un sustituto.

Las siguientes medidas reducen el riesgo de contragolpe:

- Utilice ambas manos para sujetar la sierra mientras se encuentre en funcionamiento. Sujétela con firmeza: los mangos de la sierra deben quedar bien tomados en sus dedos.
- Para la sierra de cadena, sujétela con firmeza: los mangos de la sierra deben quedar bien tomados en sus dedos.
- Para la sierra de pértiga, use una mano para agarrar el asa y la otra para agarrar la pértiga. Agarre con firmeza. El pulgar y los dedos debe cubrir la pértiga y el asa.
- Mantenga todos los dispositivos de seguridad de la sierra en su lugar. Asegúrese de que funcionen correctamente.
- Sierra de cadena - No se extienda por demás ni realice cortes por encima de la altura de sus hombros.
- Sierra de pértiga - No pase ni extienda los brazos por encima de la altura del hombro.
- Manténgase en posición firme y con buen equilibrio en todo momento.
- Permanezca ligeramente a la izquierda de la sierra. De esta manera, su cuerpo no estará directamente alineado con la cadena.

- No permita que el extremo de la barra de guía toque nada mientras la cadena se halle en movimiento (vea la Figura 1).
- No trate nunca de cortar a través de dos ramas al mismo tiempo. Corte solamente una a la vez.
- No trate nunca de cortar a través de dos ramas al mismo tiempo. Corte solamente una a la vez.
- Manténgase alerta a los cambios de posición de la madera y a otras fuerzas que pueden provocar presión sobre la cadena.
- Proceda con suma cautela al reingresar a un corte realizado previamente.
- Use la cadena y la varilla guía de bajo contragolpe que vienen con la sierra de cadena. Utilice la cadena y la barra de guía de contragolpe reducido suministrados con esta sierra. Reemplácelos exclusivamente con las cadenas y barras de guía enumeradas en este manual.
- Nunca utilice cadenas romas (desgastadas) o sueltas. Mantenga la cadena afilada y tensada.



**Figura 1 - Ejemplo del peligro de contragolpe:** No permita que el extremo de la barra de guía toque el objeto mientras la cadena está en movimiento

### Mantenimiento de la cadena y seguridad contra contragolpes

Siga las instrucciones de mantenimiento del manual de la sierra de cadena. La limpieza correcta de la sierra y el mantenimiento adecuado de la cadena y la barra de guía pueden reducir las probabilidades de contragolpe. Después de cada uso, inspeccione su sierra y realice las tareas de mantenimiento necesarias. Esto prolongará la vida útil de la sierra.

## INFORMACIÓN IMPORTANTE DE SEGURIDAD

*Nota:* el riesgo de contragolpe puede incrementar cada vez que se afila la cadena, aun al afilarla debidamente.

### MANTENIMIENTO Y ALMACENAMIENTO DE SU SIERRA ELÉCTRICA

1. Desenchufe la sierra de la fuente de alimentación
  - cuando no se encuentre en uso;
  - antes de trasladarla de un lugar a otro;
  - antes de realizar tareas de servicio en ella;
  - antes de recambiar piezas o accesorios de la misma, tales como la cadena serrada y el protector.
2. Inspeccione la cadena serrada antes y después de cada uso. Inspeccione la sierra detenidamente si se daña el protector u otra parte. Compruebe que no presente daños que pueden afectar la seguridad del operario o de la herramienta en sí. Verifique la alineación y la articulación de las piezas móviles. Compruebe que no haya piezas rotas o dañadas. No utilice la sierra si presenta daños que afectan su funcionamiento o la seguridad del operario. Haga reparar los daños en un centro de servicios autorizado.
3. Cuide de su sierra eléctrica.
  - Nunca la exponga a la lluvia.
  - Mantenga la cadena afilada, limpia y lubricada para mayor rendimiento y seguridad.
  - Para afilar la cadena, siga los pasos delineados en este manual.
  - Mantenga los mangos siempre secos, limpios y sin aceite o grasa.
  - Mantenga ajustadas todas las tuercas y tornillos.
  - Inspeccione el cable de alimentación a menudo. Si se encuentra dañado, hágalo reparar en un centro de servicios autorizado.
  - Nunca acarree la sierra eléctrica llevándola del cable de alimentación.
  - Nunca tire del cable de alimentación para desenchufarlo.
  - Mantenga el cable de alimentación alejado del calor, el aceite y los bordes afilados.
  - Inspeccione los cables de prolongación con frecuencia; si están dañados, reemplácelos.
4. El realizar tareas de servicio, utilice sólo piezas de repuesto idénticas.
5. Cuando no utilice la sierra, guárdela
  - Para evitar el goteo del aceite drene el aceite después de cada uso y antes de guardar la sierra.
  - en un sitio alto o bajo llave, fuera del alcance de los niños;
  - en un lugar seco;
  - en un estuche o con la funda colocada sobre la barra de guía.

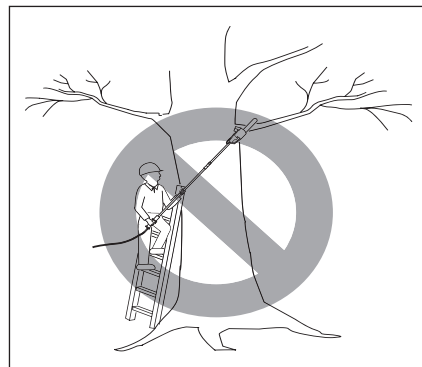
ESPAÑOL

## INFORMACIÓN IMPORTANTE DE SEGURIDAD

### PRECAUCIONES PARA PODAR CON LA SIERRA DE PÉRTIGA



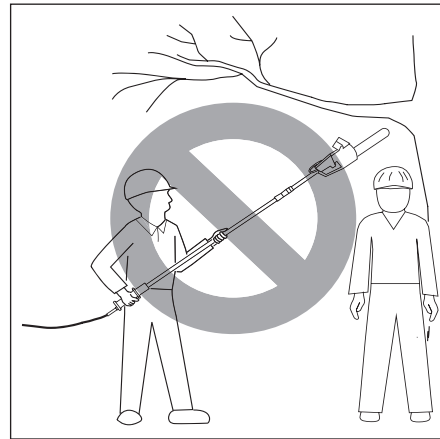
Nunca se pare directamente bajo la rama que está podando. Ubíquese siempre fuera del sitio donde caerán los residuos.



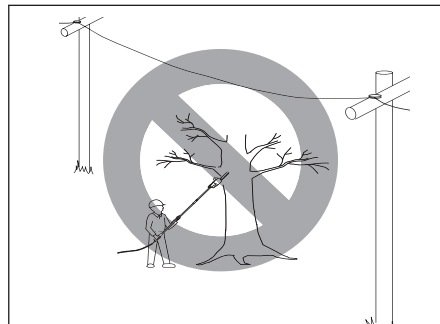
Mientras use la Sierra de Pértiga nunca se pare sobre una escalera o sobre otro tipo de soporte inestable.

Use siempre ambas manos para operar la Sierra de Pértiga. Durante el corte mantenga una presión firme y estable, pero no trate de forzar la sierra a través de la madera.

No use la Sierra de Pértiga para cortar ramas de diámetro mayor a la longitud de la barra guía.



Mantenga a las otras personas lejos del extremo cortante de la Sierra de Pértiga y a una distancia segura del área de trabajo.



No use la Sierra de Pértiga cerca de cables, líneas eléctricas o telefónicas. Mantenga un espacio libre mínimo de 10 pies de toda línea de energía.

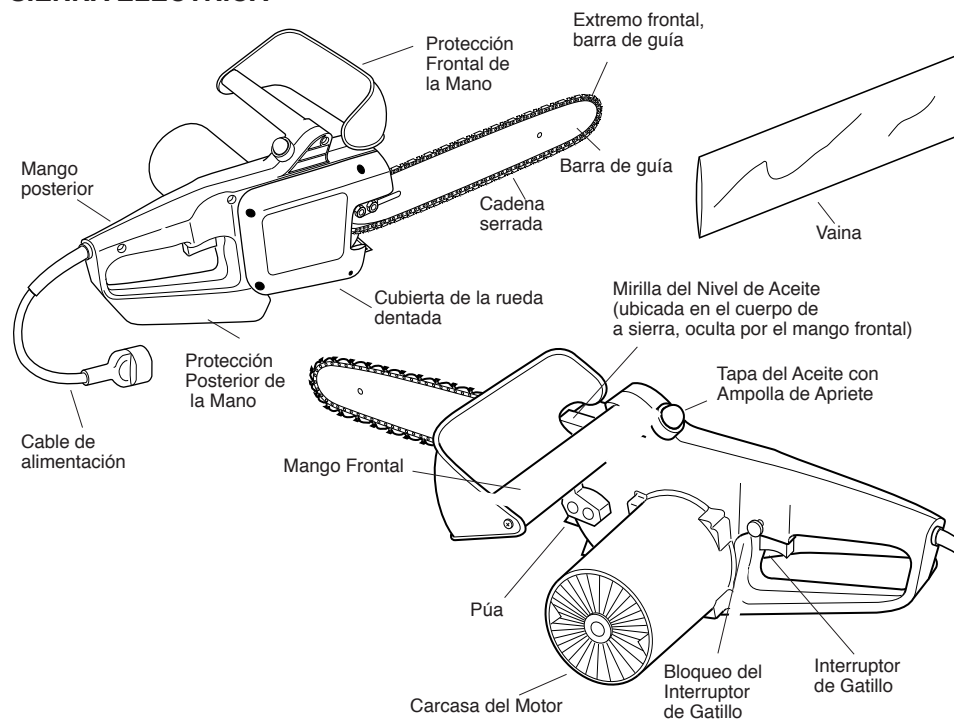
**IMPORTANTE:** Lea cuidadosamente este manual antes de armar u operar esta sierra eléctrica. El uso indebido de la misma puede provocar graves lesiones. Guarde este manual para consultarlo cuando lo necesite.

### DESEMBALAJE

1. Retire todos los elementos del embalaje.
2. Inspeccione todos los elementos para asegurar que no se hayan producido daños durante el envío. Si encuentra algún daño o alguna pieza faltante, informe enseguida al distribuidor donde compró la Sierra de Pértiga.

## IDENTIFICACIÓN DEL PRODUCTO

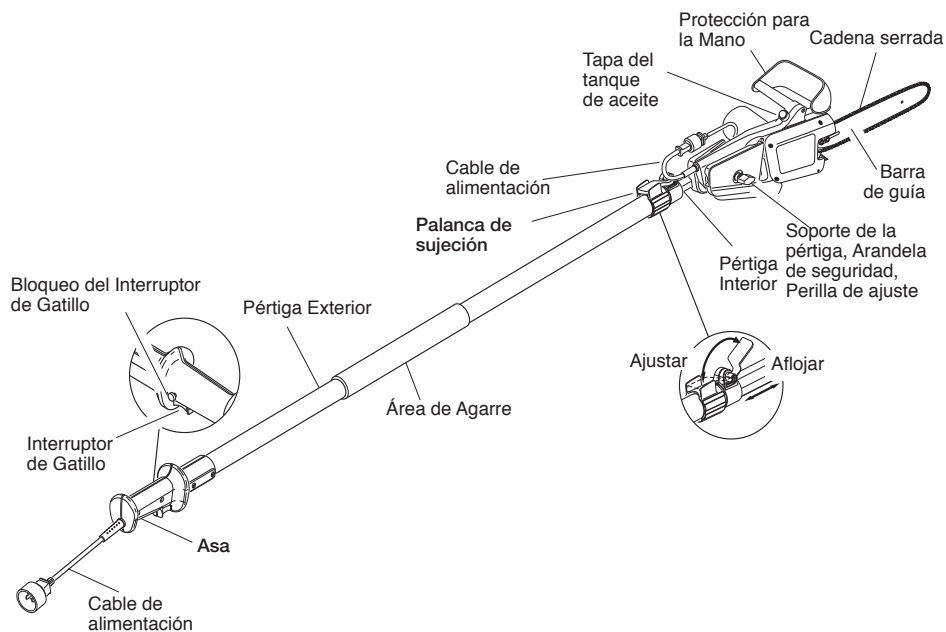
### SIERRA ELÉCTRICA



ESPAÑOL

### SIERRA DE PÉRTIGA

MODELOS: 104317, PS1510A



## TÉRMINOS Y DEFINICIONES DE LA SIERRA DE CADENA

**Barra de guía** Barra de metal que se extiende hacia adelante desde el cabezal. La barra de guía sostiene y guía la cadena serrada.

**Barra de guía de contragolpe reducido** Barra de guía que reduce las probabilidades de contragolpe.

**Cabezal motorizado** La sierra eléctrica sin la cadena ni la barra de guía.

**Cadena de contragolpe reducido** Cadena que reduce las probabilidades de contragolpe según la norma ANSI B175.1.

**Cadena de repuesto** Cadena que satisface la norma ANSI B175.1 cuando se la utiliza con una sierra específica. Puede no satisfacer las exigencias de ANSI si se la utiliza con otras sierras.

**Cadena serrada (Cadena)** Una cadena cerrada que tiene eslabones dentados para cortar madera. El motor impulsa la cadena y la barra de guía la sostiene.

**Contragolpe** Movimiento rápido hacia arriba y hacia atrás de la barra de guía. Los contragolpes pueden producirse cuando el extremo de la barra de guía toca algún objeto mientras la cadena se halla en movimiento. La barra de guía se sacude hacia arriba y hacia atrás, en dirección al operario.

**Control de lubricación** Sistema para lubricar la cadena y la barra de guía.

**Corte de muesca** Corte de muesca en un árbol que sirve para dirigir su caída.

**Corte inferior** Un corte hacia arriba desde el lado inferior de un tronco o una rama. Se realiza adoptando la posición de corte normal, pero utilizando la parte superior de la barra de guía.

**Desmembramiento** El proceso de cortar ramas de un árbol talado.

**Dientes de fijación** Protuberancias (“dientes”) que se hallan en la sección frontal cabezal, junto a la barra de guía. Mantenga estos dientes en contacto con la madera al talar o trozar, ya que esto contribuye a mantener la posición de la sierra al cortar.

**Extremo frontal de la barra de guía** La punta de la barra de guía.

**Gatillo** Dispositivo que enciende y apaga la sierra. Al oprimirlo, la sierra se enciende. Al soltarlo, se apaga.

**Interruptor** Dispositivo que cierra o interrumpe el circuito eléctrico del motor de la sierra.

**Mango anterior** Se encuentra en la parte frontal de la sierra.

**Mango posterior** El mango que se halla en la parte posterior del cabezal.

**Pértiga exterior** Mantiene en posición a la pértiga interior móvil.

**Pértiga interior** Sección móvil de la tubería a la cual se acopla la sierra.

**Podar** El proceso de cortar ramas de un árbol con vida.

**Posición de corte normal** Postura utilizada al realizar cortes para talar un árbol.

**Protector de mano frontal** Escudo entre el mango frontal y la barra de guía. Protege la mano izquierda mientras se utiliza la sierra.

**“Retrociso (Contragolpe, Presión)** Retroceso rápido de la sierra eléctrica. Puede ocurrir si la parte de la cadena que se encuentra sobre la barra de guía queda presionada, atrapada o toca algún objeto extraño.“

**Rueda dentada** Rueda dentada que impulsa la cadena.

**Tala final** El último corte que se realiza al talar un árbol. Debe realizarse del lado opuesto a las muescas.

**Talar** El proceso de cortar y derribar un árbol.

**Traba de seguridad** Dispositivo que impide el accionamiento accidental de la sierra.

**Trozar** El proceso de cortar un árbol talado o un tronco en trozos.

**Vínculo con el interruptor** Este dispositivo conecta el interruptor con el gatillo. Al oprimirse el gatillo, este vínculo mueve el interruptor.



## INFORMACIÓN SOBRE LA SIERRA DE CADENA

### ACCESORIOS DE LA SIERRA DE CADENA

La Funda plástica de accesorios deberá incluir:

- (2) pernos de la barra guía
- (2) Tuercas de la barra guía
- (1) Tornillo auto roscante tipo Philips (estrella)
- (1) Cadena de la sierra
- (1) Barra guía
- (1) Protección para la mano
- (1) Vaina

### ENSAMBLAJE

Antes de ensamblar la pértiga ensamble la sierra de cadena

**Nota:** Algunos modelos se suministran previamente ensamblados. No es necesario realizar tareas de ensamblaje en estos modelos. Vea *Ajuste de Tensión de la Cadena Serrada* en la

**⚠ ADVERTENCIA:** Los bordes de corte de la cadena son afilados. Al manipular la cadena, utilice guantes de protección.

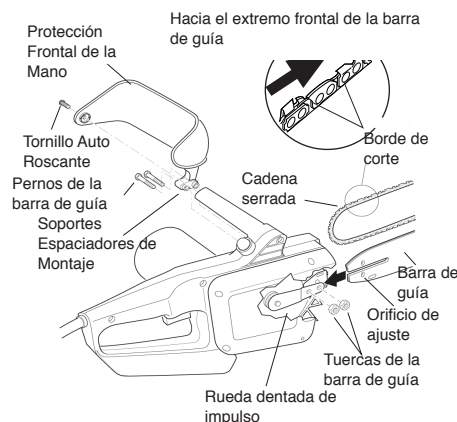
**IMPORTANTE:** No coloque ni sujete la sierra eléctrica en una prensa para ensamblarla.

1. Extienda la cadena en forma plana.
2. Instale la protección frontal de la mano en el cuerpo de la sierra. Haga esto presionando los dos soportes separadores de montaje de la Protección para la mano hacia los orificios de forma hexagonal en el cuerpo de la sierra (vea la Figura 2).
3. Inserte el tornillo auto roscante a través de la Protección para la mano y hasta el mango de la sierra. Ajuste firmemente el tornillo.
4. Gire el tornillo de regulación en sentido antihorario (vea la Figura 3). Continúe girando el tornillo de regulación hasta que el bloque de regulación esté en la parte posterior de la placa de regulación.
5. Instale la barra guía en el cuerpo de la sierra. Coloque la parte posterior de la barra guía entre la placa de regulación y el soporte del piñón.  
**IMPORTANTE:** Asegúrese de insertar el bloque de regulación en el orificio oval de regulación de la barra guía.
6. Ponga en línea los orificios del soporte del piñón con la ranura central de la barra guía y con los orificios del cuerpo de la sierra.

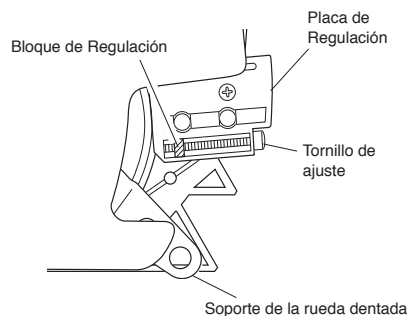
7. Inserte los pernos de la barra guía a través de: la protección frontal de la mano, cuerpo de la sierra, ranura central de la barra guía, y soporte del piñón. Enrosque las tuercas a los pernos de la barra guía.

**IMPORTANTE:** Ajuste las tuercas de la barra guía solamente a lo que da la mano. Asegúrese que el bloque de regulación esté en el orificio ovalado de regulación de la barra guía.

8. Coloque la cadena alrededor del piñón impulsor, luego a lo largo de la ranura superior de la barra guía y alrededor de su punta curva. Nota: Asegúrese que los bordes cortantes de la cadena estén con dirección hacia la derecha. Coloque la cadena de modo que los bordes cortantes de la parte superior de la barra guía estén con dirección hacia la punta curva de la barra guía (vea la Figura 2).
9. Regule la tensión de la cadena de la sierra. Siga los pasos indicados en *Ajuste de Tensión de la Cadena Serrada*, en la página 34.



**Figura 2 - Ensamble de la Barra Guía, Cadena y Protección para la mano**



**Figura 3 - Ubicaciones de la Zona para el Ensamblaje de la Barra Guía**

ESPAÑOL

## INFORMACIÓN SOBRE LA SIERRA DE CADENA

**⚠ PRECAUCIÓN:** Al colocar la cadena sobre la sierra, no lo haga en sentido inverso. En caso contrario, la sierra vibrará intensamente y no cortará.

### AJUSTE DE TENSIÓN DE LA CADENA SERRADA

**⚠ ADVERTENCIA:** Desenchufe la sierra eléctrica antes de ajustar la tensión de la cadena serrada.

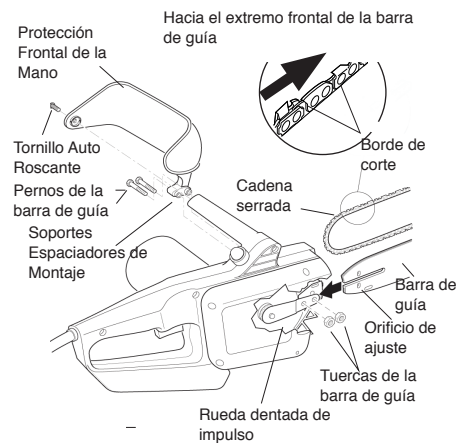
**⚠ ADVERTENCIA:** Los bordes de corte de la cadena son afilados. Al manipular la cadena, utilice guantes de protección.

**⚠ ADVERTENCIA:** Siempre mantenga la cadena debidamente tensionada. Si la cadena se encuentra suelta, existe mayor riesgo de contragolpes. Además, la cadena suelta puede salir despedida de la ranura de la barra de guía. Esto puede lesionar al operario y provocar daños en la cadena. Si la cadena está suelta, la cadena, la rueda dentada y la barra de guía se desgastarán rápidamente.

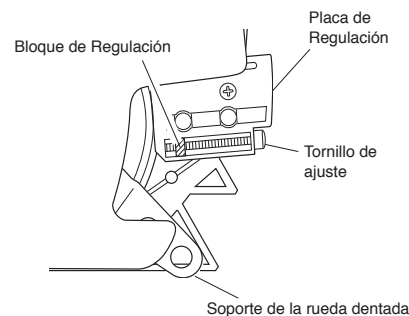
*Nota:* En el caso de los modelos que se suministran ensamblados, la tensión de la cadena se establece correctamente en la fábrica. Al colocar una cadena nueva, ésta se estirará. Inspecciónela después de trabajar con ella durante unos pocos minutos. Permita que se enfríe. Para reajustar la tensión de la cadena, siga estos pasos:

1. Antes de regular la cadena, asegúrese que las tuercas de la barra guía estén solamente ajustadas a mano (Vea la Figura 3). También asegúrese que el bloque de regulación esté en el orificio ovalado de regulación de la barra guía (Vea las Figuras 4 y 5).
2. Gire el tornillo de regulación en sentido horario hasta que no quede holgura en la cadena (vea la Figura 6, en la página 35). *Nota:* No debería haber separación entre los eslabones laterales de la cadena y la parte inferior de la barra guía (Vea la Figura 7, en la página 35).
3. Mueva la cadena alrededor de la barra de guía (para hacerlo, utilice guantes de protección). La cadena debe moverse libremente. Si no lo hace, afloje la cadena haciendo girar el tornillo de ajuste en sentido antihorario.

4. Una vez que la tensión de la cadena sea correcta, ajuste firmemente los tornillos de la barra de guía. Si no lo hace, la barra de guía se moverá y se aflojará la tensión de la cadena. Esto, a su vez, incrementará el riesgo de contragolpe. También puede provocar daños en la sierra. *Nota:* Las cadenas nuevas se estiran. Inspeccione su cadena nueva después de utilizarla durante unos pocos minutos. Permita que se enfríe y reajuste la tensión de la misma.



**Figura 4 - Ensamble de la Barra Guía, Cadena y Protección para la mano**



**Figura 5 - Ubicaciones de la Zona para el Ensamble de la Barra Guía**

## INFORMACIÓN SOBRE LA SIERRA DE CADENA

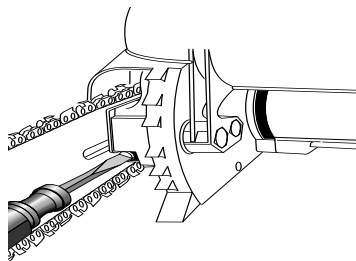


Figura 6 - Girando el Tornillo de Regulación

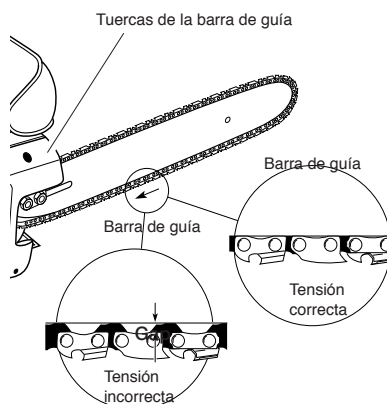


Figura 7 - Ajuste de la cadena serrada

### CABLES DE PROLONGACIÓN

Utilice cables de prolongación adecuados para esta sierra. Utilice sólo cables de prolongación para el aire libre. El cable debe presentar el sufijo W o W-A después del tipo de cable. Por ejemplo: SJTW-A o SJTW.

Utilice un cable del calibre adecuado para esta sierra. El cable debe ser lo suficientemente grueso como para conducir la corriente necesaria. El uso de un cable demasiado fino perderá voltaje al llegar a la sierra. La sierra perderá potencia y recalentará. El cable debe cumplir los requerimientos abajo enumerados.

| Longitud del cable | Tamaño AWG del cable |
|--------------------|----------------------|
| 7,50 m             | 16 AWG               |
| 15 m               | 16 AWG               |
| 30 m               | 16 AWG               |
| 45 m               | 14 AWG               |

Mantenga el cable lejos del área de corte. Asegúrese de que no se enriede en ramas o troncos. Inspecciónelo a menudo. Si se daña, reemplácelo inmediatamente.

Durante el uso, el cable de extensión puede desconectarse del cable de alimentación. Para evitar esto, haga un nudo con los dos cables como se muestra en la Figura 8.

Cable de Alimentación de la Sierra de Cadena

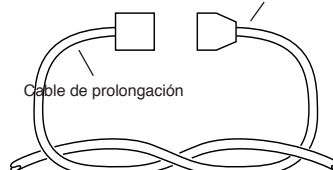


Figura 8 - Amarre del Cable de Extensión con el Cable de Alimentación usando un Nudo

### LUBRICACIÓN

1. Retire la tapa del tanque de aceite.
2. Llene el tanque con aceite lubricante SAE #30. Nota: Si utiliza la sierra a temperaturas de menos de 0°C, utilice aceite lubricante SAE #10. Si la utiliza a temperaturas superiores a 23°C, utilice aceite lubricante SAE #40.

**IMPORTANT: NO USE aceite estándar para barra y cadenas.**

3. Vuelva a cerrar el tanque con la tapa inmediatamente. Ajuste la tapa firmemente para evitar el escape de aceite del tanque.
4. Limpie el aceite excedente.

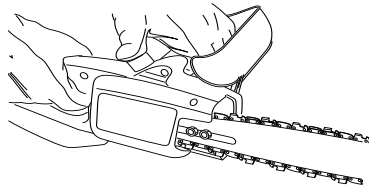
**Nota: Es normal que el tanque drene aceite cuando no se utiliza la sierra. Para evitar esto, vacíe el tanque de aceite después de cada uso.**

### LUBRICACIÓN DE LA CADENA

Compruebe siempre el nivel de aceite antes de utilizar la sierra. No intente utilizar el sistema de lubricación con la sierra en funcionamiento. Para lubricar la cadena, oprima el botón de lubricación; al hacerlo, se dispensará aceite a la barra de guía y a la cadena. Oprima el botón de lubricación al menos una vez antes de cada corte (vea la Figurs 9, en la página 36). Revise a menudo el nivel de aceite observando por la mirilla del nivel de aceite. La mirilla del nivel de aceite está en el lado izquierdo de la sierra entre el mango frontal y la protección frontal para la mano.

ESPAÑOL

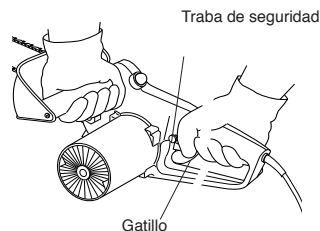
## INFORMACIÓN SOBRE LA SIERRA DE CADENA



**Figura 9 - Presione la Ampolla de Apriete en la Tapa del Aceite para Aceitar la Cadena**

### REALIZACIÓN DE CORTES

1. Conecte la sierra al cable de prolongación, y éste a un tomacorriente.
2. Cerciórese de que la porción del tronco que desee cortar no yazca sobre el suelo. De este modo, evitará que la cadena toque el suelo al cortar a través de él. Si la cadena toca el suelo mientras se encuentra en movimiento, se desafilará.
3. Utilice ambas manos para sujetar la sierra. Utilice siempre la mano izquierda para asir el mango anterior y la derecha para tomar la posterior. Sujétela con firmeza: los mangos de la sierra deben quedar bien tomados por sus dedos (vea la Figura 10).
4. Asegúrese de mantener una pisada firme. Mantenga los pies separados y distribuya su propio peso sobre ambos pies en forma equilibrada.
5. Cuando esté listo para realizar un corte, presione con el pulgar derecho el bloqueo del interruptor y apriete el gatillo (Vea la Figura 10); la sierra se encenderá. Al soltar el gatillo, se apagará. Cerciórese de que la cadena está girando a su máxima velocidad antes de comenzar a cortar.
6. Al comenzar a cortar, coloque la cadena en movimiento sobre la madera. Sujete la sierra firmemente en su lugar para evitar que la sierra rebote hacia arriba y hacia abajo o hacia los lados.



**Figura 10 - Ubicación del Bloqueo del Interruptor y el Gatillo**

7. Conduzca la sierra ejerciendo una ligera presión. No la someta a un esfuerzo excesivo; de lo contrario, el motor se sobrecargará y se quemará. La sierra funcionará de manera mejor y más segura.

8. Retire la sierra del corte con la cadena girando a la máxima velocidad. Para interrumpir el corte, suelte el gatillo. Asegúrese de que la cadena haya dejado de moverse antes de asentar la sierra.
9. Ejercítense hasta que sea capaz de mantener una velocidad de corte estable y pareja.

### TALA DE UN ÁRBOL (Derribamiento de un árbol)

#### ⚠ ADVERTENCIA:

- Evite los contragolpes, ya que pueden provocar lesiones graves y aun la muerte. Para evitar el riesgo de contragolpe, vea la sección Contragolpes en la página 28.
- No se disponga a talar un árbol si no es diestro o no cuenta con ayuda confiable.
- Al talar un árbol, mantenga a los niños, animales y curiosos alejados del área.
- Si dos o más personas realizan tareas de tala y trozado el mismo tiempo, cerciórese de que haya una buena cantidad de espacio entre ellos. El espacio que separa a ambas personas debe ser por lo menos igual al doble de la altura del árbol que se está talando.

⚠ ADVERTENCIA: Al talar un árbol, manténgase alerta a su entorno. No provoque daños ni ponga a riesgo a ninguna persona o línea de servicios públicos. Si el árbol cae sobre alguna línea de un servicio público, comuníquese con la compañía correspondiente de inmediato.

La tala es el proceso de derribar un árbol. Asegúrese de contar con una pisada firme. Mantenga los pies separados y distribuya su propio peso sobre ambos pies de manera equilibrada. Para talar un árbol, siga estas instrucciones:

#### Antes de derribar un árbol

1. Antes de talar un árbol, inspecciónelo. Asegúrese de que no tenga ramas o vástagos secos que puedan caerle encima. Analice la inclinación natural del árbol, la posición de sus ramas más grandes y la dirección del viento. Todo esto le ayudará a decidir hacia qué lado derribar el árbol.
2. Despeje el área de trabajo alrededor del árbol.

## INFORMACIÓN SOBRE LA SIERRA DE CADENA

3. Planee y despeje un trayecto de retirada para el momento de la caída. Este debe ser en sentido contrario al de la caída del árbol y a un ángulo de 45° (vea la Figura 11).
4. Retire la tierra, piedras, corteza suelta, clavos, grampas y alambres de las partes del árbol donde aplicará la sierra.
5. Al talar el árbol, manténgase cuesta arriba de él. Una vez derribado, el árbol puede rodar o deslizarse cuesta abajo.

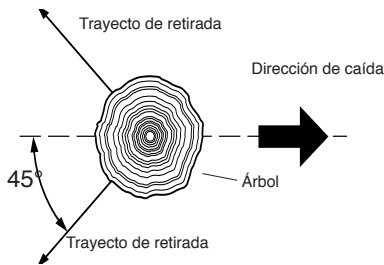


Figura 11 - Trayecto de retirada de un árbol

### Procedimiento de tala

#### A) Corte de la muesca

La preparación correcta de una muesca determinará la dirección en que caerá el árbol. Corte la muesca del lado del árbol correspondiente a la dirección en la cual desea que éste caiga (vea la Figura 11). Siga las instrucciones a continuación para cortar la muesca.

1. Haga el corte inferior de la muesca tan cerca del suelo como sea posible. Sujete la sierra de modo que la barra de guía se encuentre en posición horizontal. Corte a través del tronco del árbol hasta atravesar 1/3 de su diámetro (vea la Figura 12). Nota: Haga siempre este corte inferior horizontal en primer lugar. Si lo hace en segundo lugar, el árbol puede presionar la cadena o la barra de guía.
2. Comience el corte superior de la muesca a una distancia del corte inferior igual a la profundidad de éste.

Por ejemplo: Si el corte inferior tiene una profundidad de 20 cm, comience el corte superior 20 cm por encima de aquél. Corte en dirección hacia abajo y a un ángulo de 45°. El corte superior de la muesca debe llegar y unirse al punto final del corte inferior (vea la Figura 12).

3. Retire la cuña creada por los dos cortes de muesca.

#### B) Tala final

1. Haga el corte de tala final 5 cm por encima del corte inferior de la muesca y sobre el lado opuesto del árbol (vea la Figura 12). Mantenga el corte de tala final paralelo al corte inferior de la muesca.
2. Corte en dirección a la muesca.

**⚠ ADVERTENCIA: No atraviese el árbol completamente. Deje alrededor de cinco centímetros de diámetro sin cortar, directamente detrás de la muesca (vea la Figura 11). Esta porción sin cortar funciona a manera de bisagra. La bisagra ayuda a evitar que el árbol se tuerza y caiga en la dirección equivocada.**

3. A medida que el corte final se aproxime al punto de bisagra, el árbol comenzará a caer. Nota: Si es necesario, inserte cuñas dentro del corte de tala final para controlar la dirección de la caída. Si el árbol se echa hacia atrás y presiona la cadena, inserte cuñas dentro del corte final para extraer la sierra. Utilice siempre cuñas de madera, plástico o aluminio. Nunca utilice cuñas de metal, ya que podrían provocar contragolpes y dañar la cadena.
4. Cuando el árbol comience a caer, proceda rápidamente a
  - retirar la sierra del corte de tala final;
  - soltar el gatillo para apagar la sierra;
  - asentar la sierra;
  - salir del área por el trayecto de retirada.

**⚠ ADVERTENCIA: Manténgase alerta a la caída de ramas del árbol. Mantenga un paso firme al salir del área.**

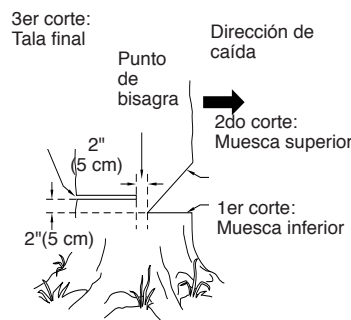


Figura 12 - Tala de un árbol

ESPAÑOL

## INFORMACIÓN SOBRE LA SIERRA DE CADENA

### DESMEMBRAMIENTO DE UN ÁRBOL

**⚠ ADVERTENCIA:** Evite los contragolpes. Éstos pueden provocar lesiones graves y aun la muerte. Para evitar el riesgo de contragolpes, lea la sección *Contragolpes* en la página 28.

**⚠ ADVERTENCIA:** Proceda con sumo cuidado al cortar ramas o vástagos de árboles que se encuentran en tensión. Está preparado para actuar en caso de contragolpe de la madera. Al liberarse la tensión de la madera, la rama puede moverse hacia el operario, golpearlo y provocarle lesiones graves y aun la muerte.

Desmembrar un árbol significa retirar las ramas de un árbol caído. Asegúrese de tener una pisada firme. Mantenga los pies separados y distribuya el peso de su cuerpo sobre ambos pies en forma equilibrada. No retire las ramas grandes que se encuentran por debajo del tronco y separan a éste del suelo. Retire cada rama con un solo corte (vea la Figura 13). Retire las ramas cortadas del área de trabajo con frecuencia para mantener el área segura.

Asegúrese de comenzar a cortar cada rama en un punto donde la sierra no quedará atrapada por presión durante el corte. Para evitar el atrapamiento de la sierra, comience por cortar las ramas que cuelgan libremente, desde arriba hacia abajo. Para cortar ramas en tensión, comience a cortarlas desde abajo. Si la sierra queda atrapada por la presión de la rama, apáguela, levante y retire la sierra.



Figura 13 - Desmembramiento de un árbol

### TROZADO DE UN TRONCO

**⚠ ADVERTENCIA:** Evite los contragolpes. Éstos pueden provocar lesiones graves y aun la muerte. Para evitar el riesgo de contragolpes, lea la sección *Contragolpes* en la página 28.

Trozar un tronco significa cortarlo en secciones. Asegúrese de tener una pisada firme. Mantenga los pies separados y distribuya su propio peso sobre ambos pies en forma equilibrada. Cuando sea posible, levante y separe del piso el tronco o la sección por cortar, utilizando ramas, troncos, cuñas, etc.

Al cortar el tronco, mantenga el control de la operación reduciendo la presión del corte al aproximarse al final del corte. No relaje los músculos de las manos ni deje que la cadena en movimiento toque el suelo. Si la cadena en movimiento toca el suelo, se desafilará. Al terminar de cortar el tronco, suelte el gatillo para apagar la sierra antes de moverla.

Siga estas instrucciones para trozar un tronco.

### La totalidad del tronco sobre el suelo

Corte el tronco comenzando por arriba (vea la Figura 14).

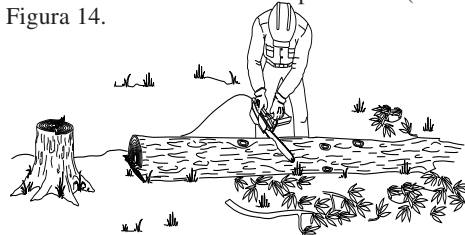


Figura 14 - Trozado del tronco completamente apoyado en el suelo

### ⚠ ADVERTENCIA:

- Si se halla en una colina, asegúrese de que el tronco no vaya a rodar cuesta abajo. Asegúrelo con estacas de madera. Introduzca las estacas en el suelo, del lado del tronco que se encuentra cuesta abajo. Permanezca en posición cuesta arriba del tronco al cortar, ya que éste puede rodar después de realizarse un corte.
- Nunca intente cortar a través de dos troncos de una sola vez. De lo contrario, puede aumentar el riesgo de contragolpes.
- Al cortar un tronco, nunca lo sostenga con la mano, la pierna o el pie.
- Al cortar un tronco, no permita que otra persona lo sostenga.
- Apague y desenchufe la sierra antes de trasladarse de un lugar a otro.

### Tronco apoyado en un extremo

1. Haga el primer corte del lado inferior del tronco (vea la Figura 15). Utilice la parte

## INFORMACIÓN SOBRE LA SIERRA DE CADENA

superior de la barra de guía para realizar este corte. Atraviese 1/3 del diámetro del tronco. Este corte impedirá la producción de astillas en esta sección al completarse el corte.

- Haga el segundo corte directamente encima del primero. Corte hacia abajo hasta unir ambos cortes. Este corte impedirá que la barra de guía y la cadena queden atrapadas por la presión del tronco.

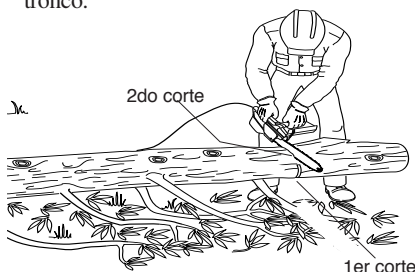


Figura 15 - rozado del tronco apoyado sobre un soao extremo

### Tronco apoyado sobre ambos extremos

- Haga el primer corte del lado superior del tronco (vea la Figura 16). Atraviese 1/3 del diámetro del tronco. Este corte impedirá la producción de astillas en esta sección al completarse el corte.
- Haga el segundo corte directamente debajo del primero. Utilice la parte superior de la barra de guía para realizar este corte. Corte hacia arriba hasta unir ambos cortes. Este corte impedirá que la barra de guía y la cadena queden atrapadas por la presión del tronco.

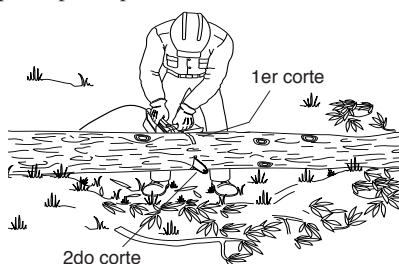


Figura 16 - Trozado del tronco apoyado sobre ambos extremos

### PODA DE UN ÁRBOL

**ADVERTENCIA:** Evite los contragolpes. Éstos pueden provocar lesiones graves y aun la muerte. Para evitar el riesgo de contragolpes, lea la sección **Contragolpes** en la página 28.

**ADVERTENCIA:** No utilice la sierra eléctrica mientras se encuentre

- arriba de un árbol;
- sobre una escalera o cualquier otra superficie inestable;
- en cualquier posición incómoda.

Puede perder el control de la sierra y provocar graves lesiones.

**ADVERTENCIA:** No corte ramas que se encuentren a una altura mayor que la de sus hombros.

**PRECAUCIÓN:** Si las condiciones del trabajo exceden sus capacidades, busque asistencia profesional.

Podar un árbol es el proceso de cortar ramas de un árbol con vida. Asegúrese de contar con una pisada firme. Mantenga los pies separados y distribuya su peso sobre ambos pies en forma equilibrada. Para podar un árbol, siga estos pasos:

- Haga el primer corte a quince centímetros del tronco del árbol, del lado inferior de la rama. Utilice el lado superior de la barra de guía para realizar este corte. Atraviese la rama hasta llegar a 1/3 de su diámetro. (vea la Figura 17).
- Desplácese entre cinco y diez centímetros hacia el extremo de la rama. Haga el segundo corte desde la parte superior de la rama. Atraviese la rama completamente hasta cortarla.
- Haga el tercer corte tan cerca del tronco como sea posible, del lado inferior de la rama. Utilice la parte superior de la barra de guía. Atraviese la rama hasta alcanzar 1/3 de su diámetro.
- Haga el cuarto corte directamente encima del tercero. Corte hacia abajo hasta unirse al tercer corte. De esta manera conseguirá retirar la base de la rama.

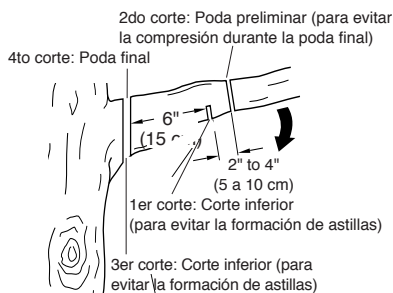


Figura 17 - Poda de una rama

ESPAÑOL

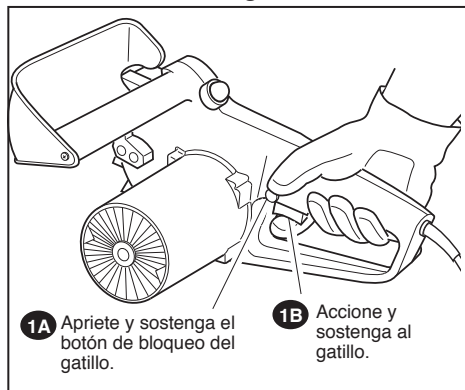
## INFORMACIÓN SOBRE LA SIERRA DE CADENA

### ENSAMBLE DE LA SIERRA DE PÉRTIGA RPS2N1

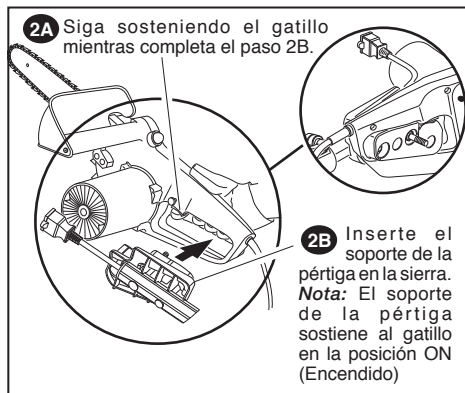
La Funda plástica de accesorios deberá incluir:

- (1) Soporte del mango
- (1) Perilla
- (1) Arandela de seguridad

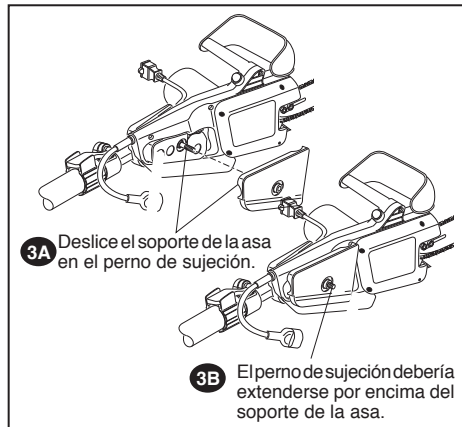
#### Paso 1 – Accione el gatillo



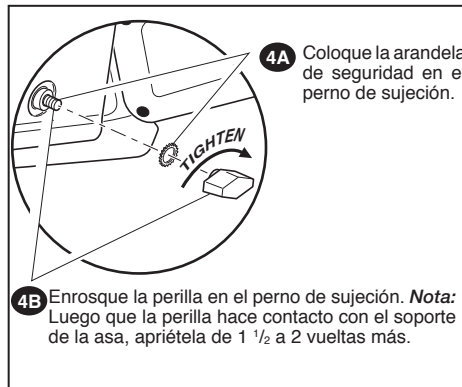
#### Paso 2 – Inserte el soporte de la pértiga en la sierra



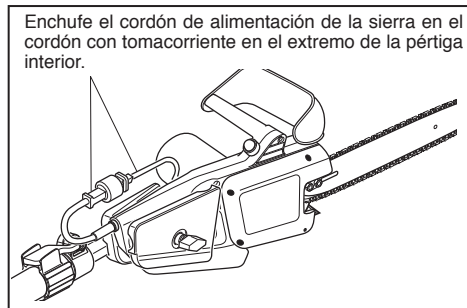
#### Paso 3 – Fije el soporte de la asa al soporte de la pértiga



#### Paso 4 – Asegure el soporte de la asa al soporte de la pértiga



#### Paso 5 – Conecte al cordón de alimentación





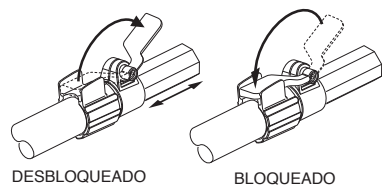
## INFORMACIÓN SOBRE LA SIERRA DE CADENA

### REGULACIÓN DE LA LONGITUD DE LA PÉRTIGA

#### RPSN1

La Sierra de Pértiga Remington tiene un conjunto de pértigas telescópicas que se extenderán desde 145 cm (57 pulgadas) (completamente retraída) hasta 244 cm (96 pulgadas) (completamente extendida). Un cono accionado por levas se usa para mantener a la pértiga en posición en cualquier punto de su longitud.

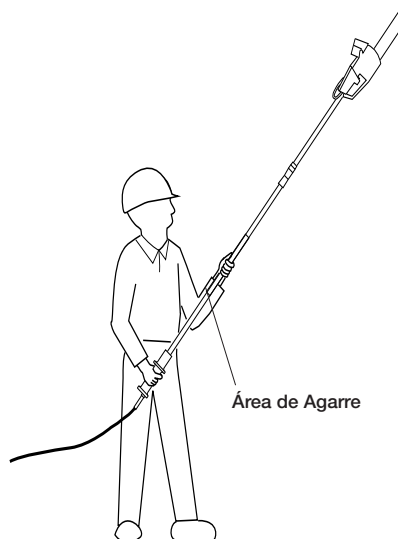
1. Para extender la pértiga afloje la palanca de sujeción como se muestra en la figura 18. La pértiga se deslizará libremente.
2. Hale hacia fuera la sección de la pértiga interna hasta la longitud deseada de extensión. Nota: Solamente extienda la pértiga hasta la longitud mínima requerida para alcanzar la rama que está siendo cortada.
3. Para bloquear la pértiga apriete la palanca de sujeción como se muestra en la figura 18.



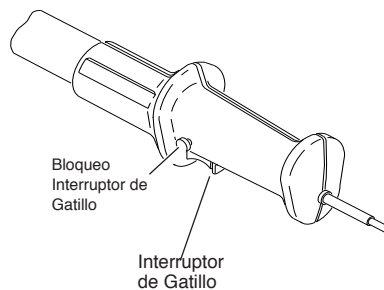
**Figura 18 - Extendiendo la Pértiga Telescópica**

### PARA CORTAR CON LA SIERRA DE PÉRTIGA

1. Conecte la sierra al cable de prolongación, y éste a un tomacorriente.
2. Use ambas manos para agarrar la Sierra de Pértiga. Cuando opere la Sierra de Pértiga use solamente las áreas de agarre designadas (vea la Figura 19). Aplique un agarre firme. Los pulgares y dedos deben envolverse alrededor del mango de la sierra y de la pértiga.
3. Asegúrese de mantener una pisada firme. Mantenga los pies separados y distribuya su propio peso sobre ambos pies en forma equilibrada.
4. Cuando esté listo para realizar el corte, presione el bloqueo del interruptor de gatillo y accione este interruptor (vea Figura 20). Esto encenderá a la Sierra de Pértiga. Al soltar el interruptor de gatillo se apagará la Sierra de Pértiga. Cerciórese de que la cadena está girando a su máxima velocidad antes de comenzar a cortar.



**Figura 19 - Áreas de Agarre Designadas**



**Figura 20 - Mango de la Sierra de Pértiga con el Bloqueo del Interruptor de Gatillo**

5. Al comenzar a cortar, coloque la cadena en movimiento sobre la madera. Sostenga firmemente a la Sierra de Pértiga en el sitio para evitar que rebote o patine la sierra (movimiento hacia un lado).
6. Guíe la Sierra de Pértiga usando una presión ligera. No presione mucho a la Sierra de Pértiga; de lo contrario, el motor se sobrecargará y se quemará. La sierra funcionará de manera mejor y más segura si se la utiliza según ha sido diseñada.
7. Retire la Sierra de Pértiga de un corte cuando esta esté funcionando a su plena velocidad. Detenga la Sierra soltando el gatillo. Asegúrese que la cadena se ha detenido antes de colocarla abajo.

ESPAÑOL

## LIMPIEZA Y MANTENIMIENTO

**AVISO:** A continuación encontrará instrucciones para la realización de tareas de servicio en su sierra eléctrica. Toda tarea de servicio que no se encuentre incluida a continuación debe realizarse en un centro de servicios autorizado.

### LIMPIEZA DEL CABEZAL

**⚠ ADVERTENCIA:** Desenchufe la sierra eléctrica antes de realizar tareas de servicio en ella. Un shock eléctrico o el contacto de su cuerpo con la cadena en movimiento pueden provocarle graves lesiones y aun la muerte.

**⚠ ADVERTENCIA:** Los bordes de corte de la cadena son afilados. Utilice guantes de protección al manipular la cadena.

**⚠ ADVERTENCIA:** Al limpiar el cabezal,

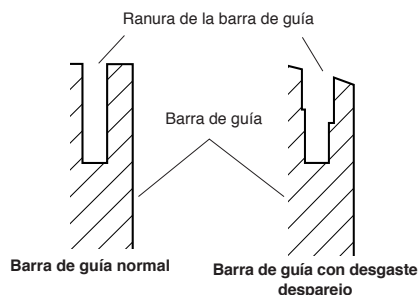
- no sumerja la sierra en líquido alguno;
- no utilice productos que contengan amoníaco, cloro o elementos abrasivos;
- no utilice solventes limpiadores clorinados, tetracloruro de carbono, querosén o gasolina.

Mantenga el cabezal limpio. Utilice un paño suave humedecido con una mezcla de jabón suave y agua. Frote este paño sobre el cabezal para limpiarlo.

### CUIDADO DE LA BARRA DE GUÍA

La mayoría de los problemas de la barra de guía son producto de su desgaste desparejo. A menudo este desgaste se debe a errores en el afilado de los elementos de corte de la cadena y en los valores de medida de profundidad. Cuando la barra se desgasta de manera despareja, la ranura de la misma se ensancha (vea la Figura 21). Esto causa el matraqueo de la cadena y la rotura y expulsión de los remaches. La sierra no cortará en línea recta. Si esto ocurre, reemplace la barra de guía.

Inspeccione la barra de guía antes de afilar la cadena. Una barra de guía desgastada o dañada es insegura y daña la cadena. También dificulta la realización de cortes.



**Figura 21 - Sección transversal de la barra de guía que ilustra el desgaste desparejo de la misma**

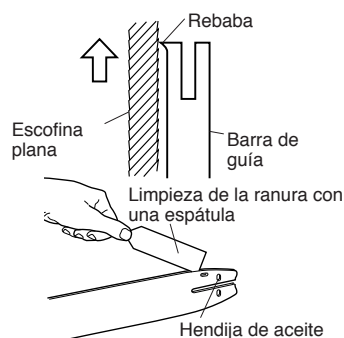
### Mantenimiento normal de la barra de guía

1. Retire la barra de guía de la sierra.
2. Retire el polvo y la tierra de la ranura de la barra de guía en forma periódica. Para ello, utilice una espátula o un alambre (vea la Figura 22).
3. Limpie las ranuras de aceite al final de cada día de uso de la sierra.
4. Retire la rebaba de los lados de la barra de guía. Utilice una escofina plana para encuadrar los bordes laterales.

Reemplace la barra de guía cuando

- se encuentre doblada o rasgada;
- la ranura interior de la barra esté sumamente desgastada;

*Nota:* Para reemplazar la barra de guía, lea la sección *Accesorios y Piezas de Repuesto* en la página 46 para adquirir la barra de guía correcta.



**Figura 22 - Mantenimiento de la barra de guía**

## LIMPIEZA Y MANTENIMIENTO

### AFILADO DE LA CADENA

**⚠ ADVERTENCIA:** Desenchufe la sierra antes de realizar tareas de servicio. Un shock eléctrico o el contacto de su cuerpo con la cadena en movimiento puede provocarle lesiones graves y aun la muerte.

**⚠ ADVERTENCIA:** Los bordes de corte de la cadena son afilados. Utilice guantes de protección al manipular la cadena.

Mantenga la cadena afilada. La sierra cortará de manera más rápida y segura. El uso de una cadena desafilada provocará el desgaste innecesario de la rueda dentada, la barra de guía y el motor. Si resulta necesario aplicar fuerza para introducir la cadena en la madera, y si al cortar sólo obtiene viruta y algunos trozos grandes, la cadena está desafilada.

#### Elementos necesarios para afilar la cadena

Puede comprar estos elementos en su concesionario, ferretería o tienda de accesorios para sierras eléctricas cercanos.

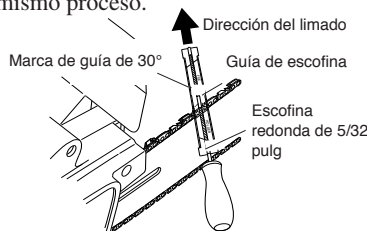
- Escofina redonda de 5/32 pulgada
- Calibrador de medida de profundidad
- Guía de escofina
- Prensa
- Escofina plana de tamaño medio

#### Afilado de los elementos de corte

Utilice la guía de escofina para limar a un ángulo de 30°.

1. Ajuste la tensión de la cadena hasta alcanzar la tensión adecuada (vea la sección *Ajuste de Tensión de la Cadena Serrada* en la página 34).
2. Sujete la barra de guía en la prensa para mantener estable la sierra. *Nota:* No aplique la prensa a la cadena.
3. Introduzca la escofina redonda de 5/32 de pulgada (adherida a la guía de escofina) en la ranura entre la placa superior y la medida de profundidad de la cadena. La guía de escofina debe descansar tanto sobre la placa superior como sobre la medida de profundidad (vea la Figura 23). *Nota:* Al limar, hágalo en el punto medio de la barra de guía.

4. Sostenga la guía de escofina a nivel. Cerciórese de que la marca de 30° de la guía de escofina sea paralela al centro de la barra de guía (vea la Figura 23). Esto asegurará que el afilado de los elementos de corte se realice a un ángulo de 30°.
5. Lime desde adentro hacia afuera del elemento de corte hasta que quede afilado. Sólo aplique la escofina en esta dirección (vea la Figura 23). *Nota:* Bastarán dos o tres pasadas para afilar cada elemento de corte.
6. Luego de afilar cada elemento de corte, mueva la cadena hacia adelante para afilar el siguiente elemento. Afile todos los elementos de corte a un lado de la cadena.
7. Diríjase al otro lado de la cadena y repita el mismo proceso.



*Nota:* Esta Figura ilustra la colocación de la guía de escofina y la dirección del limado para afilar los dientes del lado izquierdo de la cadena.

**Figura 23 - Colocación de la guía de escofina y de la escofina sobre la cadena**

#### Limado de los calibradores de medida de profundidad

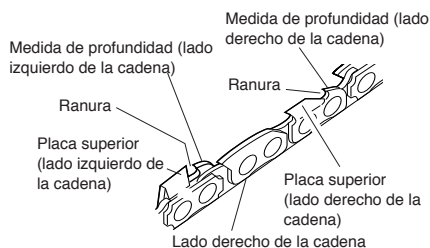
El espacio de la medida de profundidad del elemento de corte se reduce al afilar dichos elementos. Vuelva a establecer las medidas de profundidad de los elementos de corte cada dos o tres afiladas.

1. Coloque el calibrador de medida de profundidad (.635 mm) firmemente a lo largo de dos elementos de corte. Asegúrese de que la medida de profundidad penetra en la ranura del calibrador de la medida de profundidad (vea la Figura 25, en la página 44).
2. Utilice una escofina plana de tamaño medio. Lime el nivel de medida de profundidad con el calibrador de medida de profundidad.
3. Retire el calibrador de medida de profundidad. Utilice una escofina plana para redondear la esquina frontal de la medida de profundidad del elemento de corte (vea la Figura 26 en la página 44).

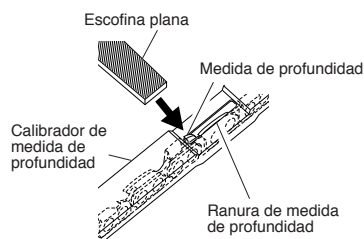
Después de afilar la cadena a mano en varias oportunidades, haga que un centro de servicios autorizado o una máquina de afilar afile la cadena. Esto asegurará que el limado quede parejo.

ESPAÑOL

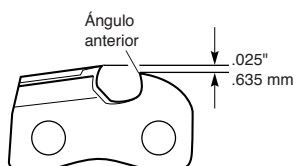
## LIMPIEZA Y MANTENIMIENTO



**Figura 24 - Posición de las partes de la cadena**



**Figura 25 - Calibrador de medida de profundidad en la cadena**



**Figura 26 - Figura 22 - Redondeo del ángulo anterior de la medida de profundidad**

## RECAMBIO DE LA CADENA SERRADA

Reemplace la cadena cuando los elementos de corte se encuentren demasiado gastados para ser afilados o cuando se rompa la cadena. Utilice únicamente la cadena de repuesto indicada en este manual. Al reemplazar la cadena, cambie también la rueda dentada. De ese modo asegurará el correcto accionamiento de la cadena. *Nota:* Para saber cuál es la cadena y la rueda dentada adecuada a su modelo, consulte la sección *Accesorios y Piezas de Repuesto*, en la página 45).

## CADENAS DE REPUESTO

Las cadenas de repuesto de la sierra pueden estar disponibles en su ferretería o en su almacén local de accesorios de hogar.

La lista siguiente muestra las especificaciones de las cadenas de repuesto

Todas las cadenas deberán ser de 50 milésimas de calibre y 3/8 de paso (entre eslabón)

Las cadenas de 8 pulgadas tienen 34 eslabones impulsores

Las cadenas de 10 pulgadas tienen 39 eslabones impulsores

Puede también solicitar cadenas de repuesto para la sierra en la “tienda virtual” en [www.desatech.com](http://www.desatech.com) con el número de pieza indicada en la lista ilustrada de piezas de las páginas 72-74 de este manual.

## ALMACENAMIENTO

Para almacenar la sierra durante más de 30 días, siga estos pasos:

1. Vacíe el tanque de aceite.
2. Retire y limpie la barra de guía y la cadena. Para ello, sumérgalas en un solvente a base de petróleo o en una mezcla de agua y jabón suave.
3. Seque la barra de guía y la cadena.
4. Coloque la cadena en un contenedor lleno de aceite. Esto impedirá que se oxide.
5. Cubra la superficie de la barra de guía con una fina lámina de aceite.
6. Limpie la parte externa del cabezal con un paño suave humedecido con una mezcla de agua y jabón suave.
7. Guarde la cadena serrada
  - en un sitio alto o bajo llave, fuera del alcance de niños;
  - en un sitio seco;
  - en un estuche o con la barra de guía cubierta por una funda.

## LIMPIEZA Y MANTENIMIENTO

### SERVICIO TÉCNICO

Usted puede tener más preguntas sobre cómo ensamblar, utilizar o mantener este producto. Si es así, usted puede visitar nuestro sitio Web de servicio técnico en [www.desatech.com](http://www.desatech.com) o llamar al departamento de servicio técnico al 1-800-626-2237 (sólo en inglés). Usted puede también escribir a:

DESA Power Tools

P.O. Box 90004

Bowling Green, KY 42102-9004


ATTN: Technical Service Power Tools

Cuando llame a DESA Power Tools tenga listo:

- Su nombre
- Su dirección
- Su número de teléfono
- El número de modelo del producto
- Fecha de compra (incluya un copia del recibo para solicitudes por escrito).

Especifique siempre el número de modelo y el número de serie al escribir a la fábrica. DESA Power Tools se reserva el derecho de enmendar estas especificaciones en cualquier momento sin previo aviso. La única garantía aplicable es nuestra garantía estándar escrita. No ofrecemos ninguna otra garantía expresa o implícita.

### ACCESORIOS Y PIEZAS DE REPUESTO

 **ADVERTENCIA: Utilice únicamente piezas y accesorios descritos en este manual. El uso de otras piezas o accesorios puede dañar la sierra o lesionar a su operario.**

Para accesorios y piezas de repuesto originales llame al Distribuidor Autorizado o al Centro Autorizado de Servicio para este producto. Si ellos no tienen la pieza o accesorio, llame a la Central de Piezas más cercana a usted que se lista en la página 75. Cada Distribuidor Autorizado, Centro Autorizado de Servicio y Central de Piezas es y opera independientemente. Puede también solicitar piezas en la "tienda virtual" en [www.desatech.com](http://www.desatech.com).

Vea las páginas 72 por 74 para una lista ilustrada de piezas.

Si necesita referencia adicional informativa, llame a nuestro departamento de servicio técnico (vea Servicio Técnico).

En el Canadá llame al 1-800-561-3372 para obtener información sobre las piezas.

### SERVICIO DE REPARACIÓN

*Nota:* Use sólo piezas de repuesto originales. Esto protegerá la cobertura de su garantía de las piezas repuestas bajo garantía.

Cada Centro Autorizado de Servicio es y opera independientemente.

### SERVICIO CON GARANTÍA

Si el producto necesita servicio bajo garantía, envíelo al centro de servicio autorizado más cercano a usted. Usted debe mostrar prueba de compra. Si el daño fue causado por materiales imperfectos o por mano de obra, repararemos o cambiaremos el producto sin cobrarle a usted. *Nota:* Esta garantía no cubre desgaste, mal uso, abuso, negligencia o daño accidental.

### SERVICIO SIN GARANTÍA

Si el producto necesita servicio, envíelo al centro de servicio autorizado más cercano a usted. Se le enviarán las facturas por reparación a los precios normales de reparación.

Para información adicional sobre centros de servicio o de garantía, llame al -800-626-2237 o visite nuestro sitio Web de servicio técnico en [www.desatech.com](http://www.desatech.com).

ESPAÑOL

## DIAGNÓSTICO Y RESOLUCIÓN DE PROBLEMAS

*Nota:* Para obtener más ayuda, visite el sitio Web de servicio técnico DESA Power Tools, [www.desatech.com](http://www.desatech.com).

**⚠ ADVERTENCIA: Desenchufe la sierra eléctrica antes de realizar tareas de servicio. Un shock eléctrico o el contacto corporal con la cadena en movimiento pueden provocar lesiones graves y aun la muerte.**

| FALLA OBSERVADA  | CAUSA POSIBLE  | SOLUCIÓN  |
|--|--|---|
| La sierra funciona, pero no corta  | La cadena se encuentra colocada sobre la barra de guía en sentido inverso  | Vea <i>Ensamblaje</i> en la página 33.  |
| La sierra no corta a menos que se aplique gran fuerza sobre ella. Al cortar, sólo produce viruta y unas pocos trozos grandes | La cadena está desafilada  | Vea <i>Afilado de la Cadena</i> en la página 43.  |
| La sierra funciona lentamente y se atasca con facilidad  | Bajo voltaje de entrada  | El cable de prolongación es demasiado fino. Vea <i>Cables de Prolongación</i> en la página 35.  |
| El motor de la sierra no funciona al oprimirse el gatillo  | <ol style="list-style-type: none"> <li>1. Para soltar el gatillo no se ha presionado el bloqueo del interruptor</li> <li>2. Las conexiones del cable de prolongación están sueltas</li> <li>3. Fusible quemado o cortacorriente abierto</li> <li>4. Cepillos de motor gastados</li> <li>5. Circuito interrumpido en la sierra</li> </ol> | <ol style="list-style-type: none"> <li>1. Presione el bloqueo del interruptor antes de apretar el gatillo</li> <li>2. Verifique las conexiones de los cables</li> <li>3. Verifique el cortacorriente o el fusible de línea</li> <li>4. Diríjase a un centro de servicios autorizado</li> <li>5. Diríjase a un centro de servicios autorizado</li> </ol> |
| El motor de la sierra funciona pero la cadena no se mueve  | Fallo del piñón motriz   | Quite y vea si el piñón motriz está dañado  |
| La cadena no recibe lubricación  | <ol style="list-style-type: none"> <li>1. Ranura de aceite obstruida en la barra de guía</li> <li>2. Aceite demasiado viscoso</li> </ol>   | <ol style="list-style-type: none"> <li>1. Retire la barra de guía y limpie la ranura de aceite</li> <li>2. Utilice aceite de la viscosidad adecuada. Vea la sección <i>Lubricación</i> en la página 35</li> </ol>   |
| La cadena se sale de la barra de guía  | <ol style="list-style-type: none"> <li>1. La cadena está suelta</li> <li>2. La barra de guía y la cadena no están bien ensambladas</li> </ol>  | <ol style="list-style-type: none"> <li>1. Ajuste la cadena. Vea la sección <i>Ajuste de tensión de la Cadena Serrada</i> en la página 34</li> <li>2. Vea <i>Ensamblaje</i> en la página 33</li> </ol>   |
| La sierra despidе humo   | Sierra dañada. No utilizarla   | Diríjase a un centro de servicios autorizado  |
| La sierra pierde aceite  | Es normal que el aceite se escape cuando la sierra no se usa.  | <i>Nota:</i> Vacíe el tanque de aceite cuando no utilice la sierra  |

# INFORMACIÓN DE GARANTÍA

## SIERRA ELÉCTRICA DE LA MARCA DE REMINGTON

### GARANTÍAS LIMITADAS

#### NUEVOS PRODUCTOS

##### **Garantía Estándar**

DESA Power Tools garantiza que este nuevo producto y todas sus partes no presentan defectos en sus materiales ni en su fabricación durante un (1) año a partir de la fecha de primera compra en un concesionario autorizado, siempre y cuando el producto haya sido utilizado y mantenido debidamente de acuerdo con todas las advertencias e instrucciones de DESA Power Tools'.

#### PRODUCTOS RECONDICIONADOS EN FÁBRICA

##### **Garantía Limitada**

DESA Power Tools garantiza que los productos recondicionados en fábrica y todas sus partes no presentan defectos en sus materiales ni en su fabricación durante 90 días a partir de la fecha de primera compra en un concesionario autorizado, siempre y cuando el producto haya sido utilizado y mantenido debidamente de acuerdo con todas las advertencias e instrucciones de DESA Power Tools.

#### CONDICIONES COMUNES A TODAS LAS GARANTÍAS

Las siguientes condiciones se aplican a todas las garantías susodichas:

- Especifique siempre el número del modelo cuando se comunique con el fabricante. Para hacer un reclamo según la garantía debe presentarse la factura o el comprobante de compra.
- Esta garantía se extiende solamente al comprador minorista original cuando la compra se hizo en un concesionario autorizado.
- Esta garantía cubre el costo de la(s) pieza(s) requerida(s) para restaurar este producto a sus condiciones adecuadas de funcionamiento y una asignación monetaria por mano de obra cuando así lo ofrezca el Centro de Servicio Autorizado de DESA Power Tools. Las piezas bajo garantía deben obtenerse por medio de concesionarios autorizados para este producto y/o DESA Power Tools quienes le proveerán de piezas de repuesto originales de fábrica. El uso de piezas de repuesto que no sean originales de fábrica anula la validez de esta garantía.
- Los costos de traslado, embalaje, transporte, diagnósticos, material, mano de obra y otros costos incidentales relacionados con las reparaciones según la garantía, a no ser que estén expresamente cubiertas por esta garantía, no son reembolsables bajo esta garantía y son responsabilidad del propietario.
- Se excluyen de esta garantía los productos o piezas de repuesto que fallan o se vuelven defectuosos como consecuencia del uso indebido, accidentes, falta de mantenimiento adecuado, modificación o alteración indebida.
- Se excluyen de esta garantía los productos comprados para uso comercial, industrial o de alquiler.
- Esta es la garantía exclusiva de DESA Power Tools, y de acuerdo a todo lo que permita la ley, esta garantía expresa excluye toda otra garantía, expresa o implícita, escrita o verbal y limita la duración de toda garantía implícita, inclusive las garantías de comerciabilidad y adecuación para un propósito particular, a un (1) año para los productos nuevos y a 90 días para los productos recondicionados en fábrica a partir de la fecha de primera compra. DESA Power Tools no ofrece ninguna otra garantía relacionada con este producto.
- La responsabilidad de DESA Power Tools' se limitará al precio de compra del producto, y DESA Power Tools no será responsable de ningún otro daño, bajo ninguna circunstancia, inclusive por daños indirectos, incidentales o de consecuencia.
- Algunos estados estadounidenses no permiten limitar la duración de una garantía implícita o excluir o limitar los daños incidentales o de consecuencia, de modo que es posible que la limitación de daños arriba enunciada no se aplique a su caso.
- Esta garantía le brinda derechos específicos legales, y usted puede también tener otros derechos que varían de un estado a otro.

Para información acerca de esta garantía comuníquese con:



P.O. Box 90004  
Bowling Green, KY 42102-9004  
www.desatech.com  
1-800-626-2237 (sólo en inglés)



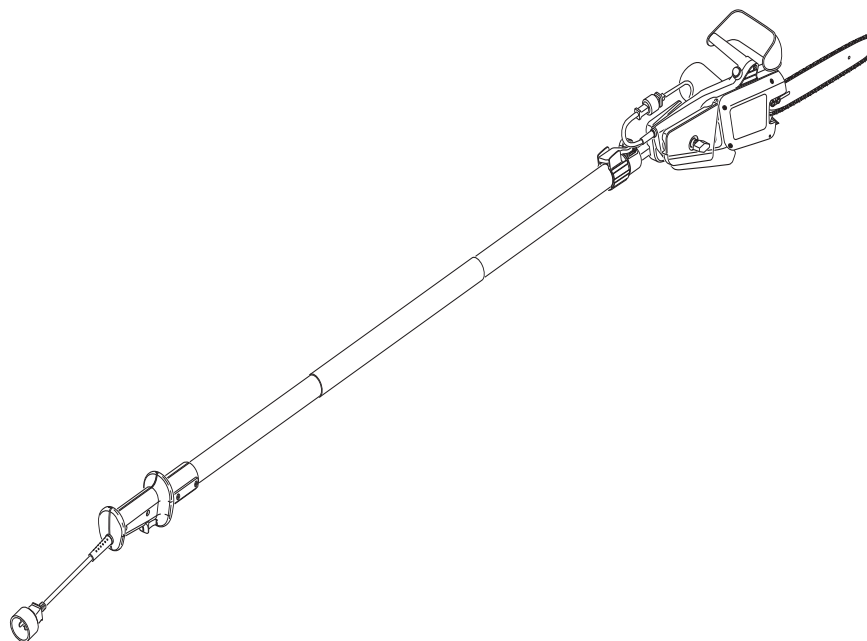
82 Akron Road  
Toronto, Ontario  
M8W 1T2  
1-800-561-3372  
Fax: 1-800-561-8003

|                       |
|-----------------------|
| Modelo _____          |
| Fecha de compra _____ |

ESPAÑOL

# REMINGTON®

## TRONÇONNEUSE ÉLECTRIQUE PRIME SCIE ÉLECTRIQUE À PERCHE TÉLESCOPIQUE MANUEL D'UTILISATION ET D'ENTRETIEN



MODÈLE RPS2N1: 104317, PS15110A

**IMPORTANT:** Il est recommandé de lire et comprendre ce manuel avant d'assembler cette tronçonneuse et de l'utiliser. L'utilisation incorrecte de la tronçonneuse risque d'entraîner des blessures graves. Conserver ce manuel pour pouvoir s'y référer ultérieurement.



## INTRODUCTION

Votre scie à perche télescopique Remington est un produit à double usage. La tronçonneuse électrique est une unité qui fonctionne indépendamment lorsque non assemblée à la perche télescopique. Avant d'utiliser soit la tronçonneuse, soit la scie à perche, assurez-vous de lire et de comprendre tous les renseignements *Consignes de sécurité importantes*.

## Contents

|   |           |
|---|-----------|
| <b>CONSIGNES DE SÉCURITÉ IMPORTANTES.....</b>                         | <b>50</b> |
| Avant d'utiliser la tronçonneuse.....                                 | 50        |
| Pendant l'utilisation de la tronçonneuse .....                        | 51        |
| Recul .....   | 52        |
| Entretien et remisage de la tronçonneuse.....                         | 53        |
| Mesures de précaution - ébranchage à l'aide de la scie à perche ..... | 54        |
| <b>DÉBALLAGE .....</b>  | <b>54</b> |
| <b>IDENTIFICATION DU PRODUIT.....</b>                                 | <b>55</b> |
| <b>VOCABULAIRE DE LA TRONÇONNEUSE.....</b>                            | <b>56</b> |
| <b>INFORMATION SUR LA TRONÇONNEUSE.....</b>                           | <b>57</b> |
| Quincaillerie - tronçonneuse.....                                     | 57        |
| Assemblage de la tronçonneuse .....                                   | 57        |
| Réglage de la tension de la chaîne .....                              | 58        |
| Rallonges électriques .....   | 59        |
| Remplissage du réservoir d'huile .....                                | 59        |
| Librification de la chaîne .....                                      | 59        |
| Sciage avec la tronçonneuse .....                                     | 60        |
| Abattage d'un arbre .....   | 60        |
| Ébranchage .....  | 62        |
| Tronçonnage d'une bille .....   | 62        |
| Taille d'un arbre (Élagage).....                                      | 63        |
| <b>INFORMATION SUR LA TRONÇONNEUSE SUR TIGE.....</b>                  | <b>64</b> |
| Assemblage de la scie à perche .....                                  | 64        |
| Réglage de la longueur de la perche .....                             | 65        |
| Comment couper à l'aide la scie à perche .....                        | 65        |
| <b>NETTOYAGE ET ENTRETIEN.....</b>                                    | <b>66</b> |
| Nettoyage du carter de tronçonneuse .....                             | 66        |
| Entretien de la guide-chaîne .....                                    | 66        |
| Affûtage de la chaîne.....  | 67        |
| Remplacement de la chaîne.....  | 68        |
| <b>REMISAGE .....</b>   | <b>68</b> |
| <b>SERVICE TECHNIQUE.....</b>   | <b>69</b> |
| <b>PIÈCES DE RECHANGE ET ACCRISOIRES.....</b>                         | <b>69</b> |
| <b>SERVICE DE RÉPARATION.....</b>                                     | <b>69</b> |
| <b>DÉPANNAGE.....</b>   | <b>70</b> |
| <b>INFORMATION SUR LA GARANTIE .....</b>                              | <b>71</b> |
| <b>LISTE DES PIÈCES.....</b>  | <b>72</b> |
| RPS2N1: 104317, 106821, 106821A, PS1510A.....                         | 72        |
| Chain Saw .....   | 73        |
| <b>DÈPÔT DE PIÈCES.....</b>   | <b>75</b> |

## CONSIGNES DE SÉCURITÉ IMPORTANTES

**⚠ AVERTISSEMENT : lorsque vous utilisez une tronçonneuse électrique, vous devez toujours suivre les précautions de sécurité de base pour réduire les risques d'incendie, de choc électrique et de blessures aux personnes, y compris ce qui suit :**

**LISEZ TOUTES LES INSTRUCTIONS S'assurer d'avoir lu et compris toutes les directives de la rubrique *Consignes de sécurité importantes* aux pages 50-54. L'utilisation incorrecte de cette tronçonneuse peut entraîner des blessures graves ou la mort, résultant d'un incendie, de chocs électriques, d'un contact du corps avec la chaîne en mouvement ou de la chute de bois.**

### AVANT D'UTILISER LA TRONÇONNEUSE

1. Avant d'utiliser la tronçonneuse, lire et comprendre ce manuel d'utilisation et d'entretien.
2. Regardez ce que vous faites. Faites preuve de bon sens. N'utilisez pas la tronçonneuse lorsque vous êtes fatigué.
3. Utiliser uniquement la tronçonneuse pour couper du bois
  - Ne pas utiliser la tronçonneuse à des fins pour lesquelles elle n'a pas été prévue.
  - À n'utiliser que pour la coupe du bois.
4. Seul un adulte bien informé devrait utiliser la scie à perche ou la tronçonneuse. Ne jamais laisser des enfants s'en servir.
5. Utiliser uniquement la tension de courant électrique indiquée sur la plaque signalétique de la tronçonneuse.
6. Utiliser uniquement des rallonges électriques spécifiées pour l'usage à l'extérieur. Se reporter à la page 69 pour les conditions requises.
7. N'utilisez pas la scie à perche ou la tronçonneuse :
  - lorsqu'on est sous l'influence d'alcool, de médicaments ou de drogues;
  - sous la pluie, dans les endroits humides ou mouillés;
  - là où se trouvent des liquides ou gaz très inflammables;
- si la perche ou la scie est endommagée ou mal réglée, ou si elle n'est pas assemblée complètement et de façon bien assujettie;
- si la gâchette ne commande pas la mise en marche et l'arrêt ; la chaîne doit s'immobiliser dès qu'on lâche la gâchette ; faire remplacer l'interrupteur défectueux par un réparateur agréé (Voir *Service Technique*, page 69);
- lorsqu'on est pressé;
- lorsque vous êtes monté dans un arbre ou dans une échelle;
- lorsque vous vous trouvez à bord d'une flèche de grue, d'une nacelle ou d'une plate-forme élévatrice.
8. Lors de l'utilisation de la tronçonneuse, porter des vêtements ajustés ; ne pas porter de vêtements amples ni de bijoux qui pourraient se prendre dans la chaîne en mouvement.
9. Portez les accessoires de sécurité suivants pour utiliser les scies :
  - gants renforcés (gants en caoutchouc si l'on travaille dehors);
  - chaussures de sécurité à bout acier avec semelles antidérapantes;
  - protection des yeux telle que lunettes de sécurité, lunettes-masque, ou masque;
  - casque de sécurité;
  - serre-tête antibruit ou bouchons d'oreilles;
  - coiffe antiscalp pour retenir les cheveux longs;
  - masque ou masque antipoussières (si l'on travaille dans une atmosphère poussiéreuse).
10. Avant de couper, toujours prévoir les éléments suivants :
  - une zone de travail dégagée;
  - un équilibre stable;
  - un trajet de retraite pour éviter toute branche qui tombe.
11. Inspecter l'arbre avant de l'abattre. S'assurer qu'il n'y a pas de branches mortes qui pourraient tomber sur l'utilisateur. Préparez le terrain pour que les branches puissent tomber librement au sol.
12. N'utilisez pas votre scie à perche pour couper de jeunes arbres. Utilisez plutôt la tronçonneuse, sans l'unité de perche.
13. Pour réduire le risque de choc électrique, cette tronçonneuse a une fiche polarisée (une lame est plus large que l'autre). Cette fiche ne peut s'insérer dans une prise polarisée que dans un sens. Si la fiche ne s'insère pas complètement dans la prise de la rallonge électrique, retourner la fiche. Si elle ne s'insère toujours pas, une rallonge électrique polarisée sera nécessaire. Ne modifier en aucune manière la fiche.

## CONSIGNES DE SÉCURITÉ IMPORTANTES

### PENDANT L'UTILISATION DE LA TRONÇONNEUSE

1. Rester vigilant. Faites preuve de bon sens en utilisant cet appareil.
2. Maintenir la zone de travail propre. Les endroits encombrés sont favorables aux accidents.
3. Surveiller la rallonge électrique pendant l'utilisation de la tronçonneuse. Faire attention de ne pas trébucher dessous. Maintenir en permanence le cordon à l'écart de la chaîne et de l'opérateur.
4. Maintenir enfants, animaux et toutes personnes présentes à l'écart de la tronçonneuse et de la rallonge électrique. L'utilisateur seul doit se trouver dans la zone de travail.
5. N'utilisez pas la scie à perche pour abattre des arbres. Utilisez plutôt la tronçonneuse, sans l'unité de perche et seulement si vous avez reçu la formation nécessaire ou disposez d'une aide experte.
6. N'utilisez pas cet appareil à proximité de lignes électriques. Tenez-vous toujours à au moins 3 m (10 pi) de toute ligne électrique.
7. Si deux ou plusieurs personnes participent aux travaux de tronçonnage et d'abattage en même temps, prévoir un espace suffisant entre les différentes opérations. Il faut une distance au moins égale à deux fois la hauteur de l'arbre à abattre.
8. Fixer le bois que l'on est en train de couper à l'aide de colliers ou crampons.
9. Saisir la tronçonneuse fermement des deux mains. Ne jamais la tenir d'une seule main pendant son fonctionnement. Ne jamais se servir de l'écran de protection de la main comme d'une poignée.
10. Agrippez solidement la tronçonneuse sur tige. Placez une main sur la tige et l'autre sur la poignée.
11. Ne mettre le doigt sur la gâchette que lorsqu'on est prêt à entailler.
12. Avant de mettre l'outil en marche, s'assurer que la chaîne ne touche rien.
13. Pour prévenir les chocs électriques, éviter tout contact du corps avec des objets reliés à la terre, tels que des conduites, des clôtures et des poteaux métalliques.
14. Lorsque l'outil est en marche, n'approcher de la chaîne aucune partie du corps.
15. Ne pas forcer sur la tronçonneuse pendant la coupe. N'appliquer qu'une pression légère. Elle fonctionnera de façon plus efficace et plus sûre à la vitesse pour laquelle elle a été prévue.
16. Ne coupez pas de petites broussailles ou de jeunes arbres avec la scie à perche. Utilisez seulement la tronçonneuse, en usant d'une grande prudence. Des parties de plante effilées peuvent se prendre dans la chaîne et être claquées dans votre direction comme des fouets. Ceci pourrait également vous faire perdre votre équilibre.
17. Quand on coupe une branche ou un tronc d'arbre sous tension, faire également très attention. Le bois fait ressort : quand la tension disparaît, la branche projetée risque de heurter l'utilisateur, entraînant des blessures graves ou la mort.
18. Pour transporter la tronçonneuse d'un endroit à un autre :
  - arrêter et débrancher la tronçonneuse ;
  - tenir l'outil par la poignée avant (jamais par l'écran de protection avant de la main) ;
  - Tronçonneuse sur tige - la perche télescopique doit avoir été ramenée à la position la plus courte;
  - Tronçonneuse sur tige - tenez la perche au point d'équilibre (près du côté scie);
  - ne pas laisser le doigt sur la gâchette ;
  - placer la guide-chaîne et la chaîne vers l'arrière.

 **AVERTISSEMENT : Ce produit contient des produits chimiques qui, selon l'état de la Californie, serait à l'origine de cas de cancer, d'anomalie congénitale et de problème de la reproduction.**

FRANÇAIS

## CONSIGNES DE SÉCURITÉ IMPORTANTES

**⚠ AVERTISSEMENT :** Certaines poussières produites par les opérations de ponçage mécanique, de sciage, de meulage, de perçage et d'autres activités liées à la construction contiennent des produits chimiques connus (par l'État de la Californie) comme pouvant provoquer le cancer, des malformations congénitales ou d'autres effets nocifs à l'égard des fonctions de la reproduction. Quelques exemples de tels produits chimiques :

- le plomb contenu dans les peintures à base de plomb;
- la silice cristalline contenue dans les briques, le ciment et d'autres produits de maçonnerie;
- l'arsenic et le chrome contenus dans le bois de construction traité chimiquement.

La susceptibilité à ces risques d'exposition varie suivant la fréquence avec laquelle vous faites ce type de travail. Pour réduire votre exposition à ces produits chimiques : ne travaillez que dans des aires bien ventilées et en portant des équipements de sécurité homologués, comme les masques antipoussières conçus spécialement pour retenir les particules microscopiques.

### RECU

**⚠ AVERTISSEMENT :** Un recul peut se produire lorsque le nez ou le bout de la guide-chaîne touche un objet ou lorsque le bois se resserre et pince la chaîne de la tronçonneuse dans la coupe. Dans certains cas, un contact du bout peut provoquer une réaction inverse extrêmement rapide, propulsant la guide-chaîne vers le haut et vers l'arrière en direction de l'opérateur. Un pincement de la chaîne de la tronçonneuse le long de la partie supérieure de la guide-chaîne peut repousser rapidement la guide-chaîne vers l'opérateur. Ces réactions peuvent toutes deux provoquer une perte de contrôle de la tronçonneuse pouvant entraîner des blessures graves pour l'utilisateur.

### Dispositifs de protection contre le recul sur cette tronçonneuse

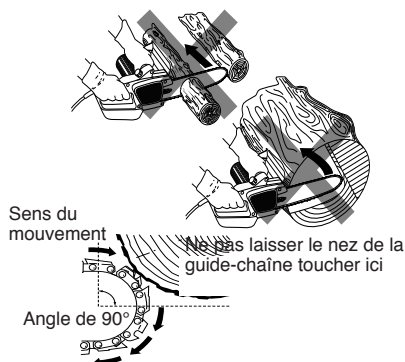
Cette tronçonneuse est munie d'une chaîne à faible recul et d'une guide-chaîne à recul réduit. Ces deux éléments réduisent le risque de recul. Cependant, celui-ci peut encore se produire.

Suivre les instructions de montage qui se trouvent à la page 59. Ne pas enlever l'écran de protection avant de la main. Ne pas remplacer l'écran de protection avant de la main par un autre dispositif.

On peut prendre les mesures suivantes pour réduire le risque de recul :

- Se servir des deux mains pour tenir la tronçonneuse pendant son fonctionnement.
- Pour la tronçonneuse, tenir l'outil d'une poigne ferme. Les pouces et les doigts doivent envelopper les poignées.
- Pour la tronçonneuse sur tige, agrippez la poignée d'une main et de l'autre, agrippez la tige. Agrippez fermement. Les doigts et le pouce doivent s'enrouler autour de la tige et de la poignée.
- Tous les dispositifs de sécurité doivent être maintenus en place sur la tronçonneuse. S'assurer qu'ils fonctionnent correctement.
- Tronçonneuse - Ne vous étirez pas ni ne portez les bras au-dessus de la hauteur des épaules.
- Tronçonneuse sur tige - do not overreach or extend arms above shoulder height.
- Garder en permanence un solide appui au sol et un bon équilibre.
- Se tenir légèrement à gauche de l'outil. Le corps n'est pas ainsi en prolongement direct de la chaîne.
- Ne pas enfouir le nez de la guide-chaîne ni essayer de couper en plongeant (faire un trou dans le bois en enfonçant le nez de la guide-chaîne, voir la figure 1, à la page 53).
- Ne jamais essayer de couper deux billes en même temps. En couper seulement une à la fois.
- Surveiller le mouvement du bois ou les autres forces qui pourraient pincer la chaîne.
- Faire très attention quand on repénètre dans une entaille.
- Utilisez la chaîne et le guide-chaîne à faible rebond qui sont fournis avec la tronçonneuse. Remplacer ces pièces uniquement par les chaînes et lames-guides spécifiées dans ce manuel.
- Ne jamais utiliser une chaîne émoussée ou détendue. Maintenir la chaîne affûtée et tendue correctement.

## CONSIGNES DE SÉCURITÉ IMPORTANTES



**Figure 1 - Exemple du risque de recul. Ne pas laisser le nez de la guide-chaîne toucher un objet pendant que la chaîne est en mouvement.**

### Entretien de la tronçonneuse et protection contre le recul

Suivez les directives d'entretien qui sont indiquées dans le manuel de la tronçonneuse. Les risques de recul peuvent être réduits par le nettoyage et l'entretien adéquats de l'outil, de la chaîne, de la guide-chaîne. Après chaque utilisation, inspecter la tronçonneuse et l'entretenir. Ceci prolonge sa durée en service. Remarque : Même si la chaîne est affûtée correctement, le risque de recul peut augmenter à chaque affûtage.

### ENTRETIEN ET REMISAGE DE LA TRONÇONNEUSE

- Débrancher le cordon de la prise de courant :
  - quand on n'utilise pas la tronçonneuse,
  - avant de la déplacer d'un endroit à un autre,
  - avant de procéder à son entretien,
  - avant de changer des accessoires, tels que la chaîne et l'écran de protection de la tronçonneuse.
- Inspecter la tronçonneuse avant et après chaque utilisation. Bien contrôler l'outil si une protection ou une pièce quelconque a été endommagée. Bien vérifier pour déceler tout dégât pouvant affecter la sécurité de l'utilisateur ou le fonctionnement de l'outil. Vérifier que les pièces mobiles sont bien alignées et ne sont pas coincées. Vérifier qu'il n'y a pas de pièces cassées ou endommagées. Ne pas utiliser la tronçonneuse si les dégâts affectent la sécurité ou son fonctionnement. Faire remettre l'outil en état par un réparateur
- Se servir de l'outil avec précaution :
  - Ne jamais l'exposer à la pluie.
  - Garder la chaîne affûtée, propre et lubrifiée pour améliorer le rendement et la sécurité.

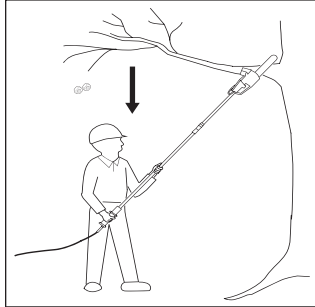
- Suivre la procédure décrite dans ce manuel pour l'affûtage de la chaîne.
  - Garder les poignées sèches, propres et sans traces d'huile ou de graisse.
  - Garder vis et écrous bien serrés.
  - Inspecter souvent le cordon d'alimentation électrique. S'il est abîmé, le faire remettre en état par un réparateur agréé.
  - Ne jamais transporter la tronçonneuse la tenant par le cordon d'alimentation électrique.
  - Ne jamais tirer sur le cordon pour débrancher la fiche de la prise de courant.
  - Tenir le cordon à l'écart de la chaleur, de l'huile et des bords coupants.
  - Inspecter souvent les rallonges et les remplacer si elles sont abîmées.
4. Pour la réparation, utiliser uniquement des pièces de rechange identiques.
  5. Lorsqu'on ne s'en sert pas, toujours ranger la tronçonneuse
    - dans un endroit en hauteur ou verrouillé, hors de la portée des enfants,
    - dans un endroit sec,
    - dans une malette de transport ou avec un fourreau recouvrant la guide-chaîne.
    - Vidangez l'huile après chaque utilisation et avant d'entreposer la tronçonneuse pour éviter le suintement de l'huile.

**Conserver ces directives.** C'est un guide pour l'utilisation sécuritaire et correcte de la tronçonneuse.

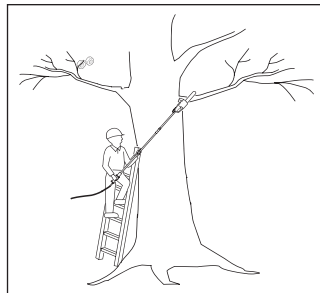
FRANÇAIS

## CONSIGNES DE SÉCURITÉ IMPORTANTES

### MESURES DE PRÉCAUTION - ÉBRANCHAGE À L'AIDE DE LA SCIE À PERCHE

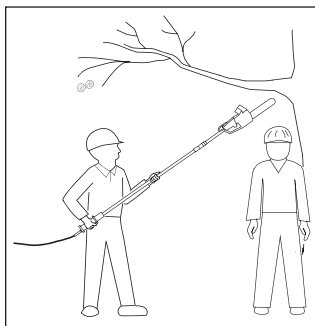


Ne vous tenez jamais sous la branche que vous êtes en train de couper ! Placez-vous toujours à l'écart de la ligne de chute des débris.

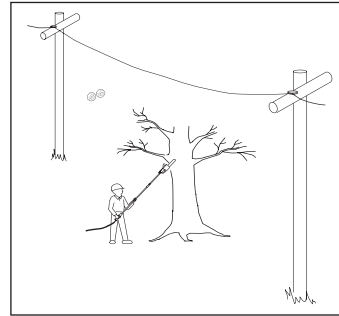


Ne vous tenez jamais sur une échelle ou autre type de support peu stable pendant que vous utilisez la scie à perche.

Servez-vous toujours de vos deux mains pour manoeuvrer la scie à perche. Maintenez une pression ferme et constante sur la scie à perche pendant la coupe, mais ne forcez pas la scie à travers le bois.



N'utilisez pas la scie à perche pour couper des branches d'un diamètre plus gros que la longueur du guide-chaîne.



Tenez toute personne loin de l'extrémité coupante de la scie à perche et à une distance sécuritaire de l'aire de travail.

N'utilisez pas la scie à perche à proximité de câbles, de lignes électriques ou de lignes téléphoniques. Maintenez un dégagement d'au moins 3 m (10 pi) par rapport à toute ligne électrique.

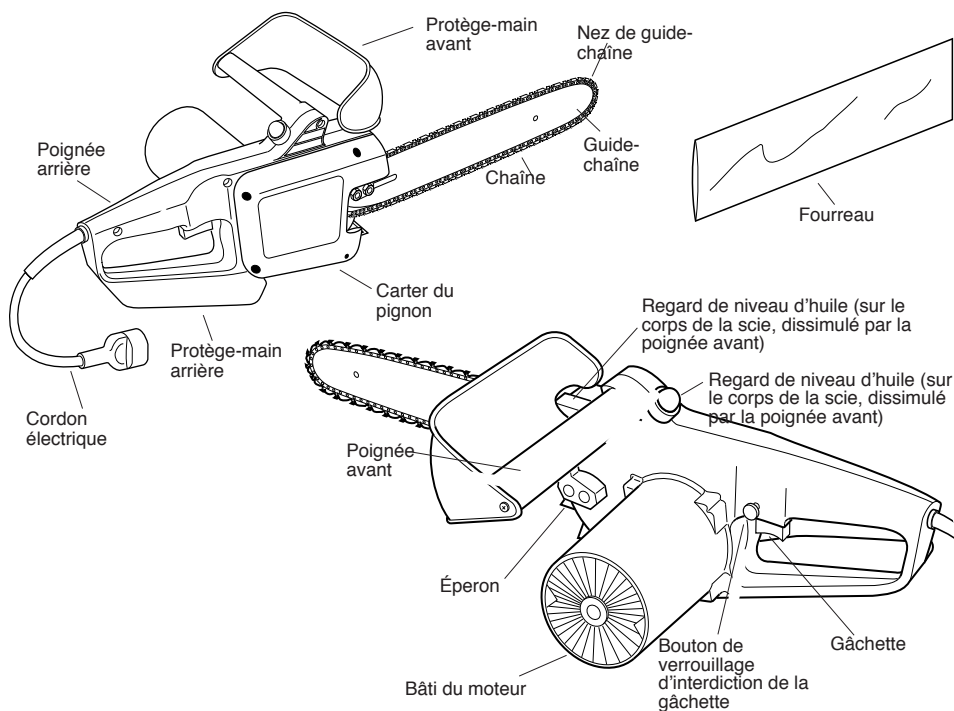
**IMPORTANT: Il est recommandé de lire et comprendre ce manuel avant d'assembler cette tronçonneuse et de l'utiliser. L'utilisation incorrecte de la tronçonneuse risque d'entraîner des blessures graves. Conserver ce manuel pour pouvoir s'y référer ultérieurement.**

### DÉBALLAGE

1. Sortir du carton toutes les pièces.
2. Vérifier toutes les pièces pour déceler d'éventuels dégâts durant l'expédition. Si vous constatez un dommage ou qu'une partie quelconque manque, informez-en rapidement le détaillant chez qui vous vous êtes procuré la scie à perche.

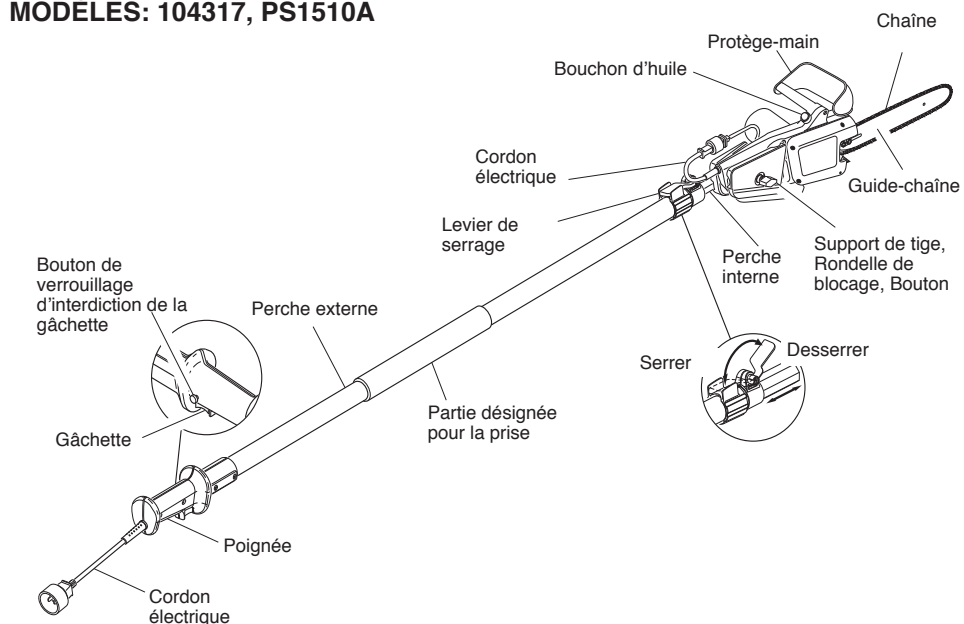
## IDENTIFICATION DU PRODUIT

### Tronçonneuse Électrique



### Identification des Composants de la Scie à Perche

MODÈLES: 104317, PS1510A



FRANÇAIS

## VOCABULAIRE DE LA TRONÇONNEUSE

**Abattage** Coupe d'un arbre.

**Chaîne** Boucle de chaîne ayant des dents tranchantes pour couper le bois. C'est le moteur qui entraîne la chaîne. La guide-chaîne soutient la chaîne.

**Chaîne à faible recul** Chaîne qui réduit le risque de recul selon la norme CSA Z62.3.

**Coupe d'abattage** Coupe finale pour l'abattage d'un arbre. Faire cette entaille du côté opposé au sifflet.

**Chaîne de rechange** Chaîne conforme à la norme CSA Z62.3 quand elle est utilisée avec une tronçonneuse spécifique. Il se peut qu'elle ne soit pas conforme aux exigences CSA quand elle est utilisée avec d'autres tronçonneuses.

**Dispositif de lubrification** Système de lubrification de la guide-chaîne et de la chaîne.

**Ébranchage** Coupe des branches d'un arbre abattu.

**Écran de protection avant de la main** Protection située entre la poignée avant et la guide-chaîne. Protège la main gauche pendant l'utilisation de la tronçonneuse.

**Entaille par le dessous** Entaille effectuée vers le haut à partir du dessous d'une bille ou d'une branche. Ceci se fait en position normale de coupe et en coupant avec le haut de la guide-chaîne.

**Gâchette** Dispositif qui met en marche et arrête la tronçonneuse. Quand on appuie sur la gâchette, la tronçonneuse se met en marche. Elle s'arrête quand on lâche la gâchette.

**Groupe moteur** Tronçonneuse sans chaîne ni guide-chaîne. Aussi nommé carter.

**Interrupteur** Dispositif qui ferme ou ouvre le circuit électrique du moteur de la tronçonneuse.

**Guide-chaîne à recul réduit** Guide-chaîne qui réduit le risque de recul.

**Guide-chaîne** Lame métallique qui prolonge le carter de la tronçonneuse. La guide-chaîne soutient et guide la chaîne.

**Levier de serrage** Lorsqu'il est desserré, ce levier permet à la tige intérieure de glisser pour régler la longueur. Lorsqu'il est serré, il maintient la tige en position de travail.

**Nez de guide-chaîne** Bout ou extrémité de la guide-chaîne.

**Perche externe** Sert à retenir la perche interne amovible.

**Perche interne** Tronçon amovible de tubage auquel la scie est reliée.

**Pignon** Roue dentée qui entraîne la chaîne.

**Poignée arrière** Poignée située à l'arrière du carter.

**Poignée avant** Située à l'avant du carter de la tronçonneuse.

**Pointe pare-chocs** Dent pointue située à l'avant du carter, à côté de la guide-chaîne. Garder la pointe pare-chocs contre le bois lors de l'abattage ou du tronçonnage. Elle facilite le maintien de la position de la tronçonneuse pendant la coupe.

**Position normale de coupe** Position à tenir pendant le tronçonnage et l'abattage.

**Poussée (recul, pincement)** Poussée brusque en arrière de la tronçonneuse. Peut se produire si la partie de la chaîne sur le haut de la guide-chaîne est pincée, prise ou touche un objet étranger.

**Recul** Mouvement brusque vers l'arrière et vers le haut de la guide-chaîne. Le recul peut se produire quand le bout de la guide-chaîne touche un objet pendant le mouvement de la chaîne. La guide-chaîne fait alors un mouvement brusque vers le haut et vers l'arrière, en direction de l'utilisateur.

**Sifflet** Entaille en forme d'encoche faite dans un arbre qui dirige sa chute.

**Taille (élagage)** Coupe des branches d'un arbre sur pied.

**Tringlerie d'interrupteur** Ce dispositif relie l'interrupteur à la gâchette. Il déplace l'interrupteur quand on appuie sur la gâchette.

**Tronçonnage** Coupe d'un arbre abattu ou d'une bille en tronçons.

**Verrou d'interrupteur** Dispositif qui réduit le risque de mise en marche involontaire de la tronçonneuse.



## INFORMATION SUR LA TRONÇONNEUSE

### QUINCAILLERIE - TRONÇONNEUSE

Le sac de quincaillerie en plastique pour la scie à perche devrait contenir les éléments suivants :

- (2) boulons de guide-chaîne
- (2) écrous de guide-chaîne
- (1) vis autotaraudeuse Phillips
- (1) chaîne
- (1) guide-chaîne
- (1) protège-main
- (1) fourreau

### ASSEMBLAGE DE LA TRONÇONNEUSE

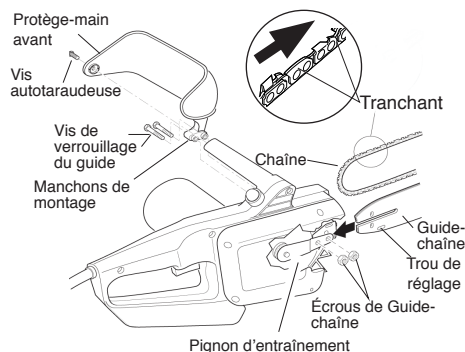
Assemblez la tronçonneuse avant d'assembler la perche.

*Remarque :* Sur les modèles pré-assemblés, voir *Réglage de la tension de la chaîne*, à la page 58.

**⚠ AVERTISSEMENT : Les dents de la chaîne sont coupantes. Porter des gants protecteurs pour manipuler la chaîne.**

**IMPORTANT : Ne pas pincer la scie dans un étau durant le montage.**

1. Étendez la chaîne, bien à plat.
2. Installez le protège-main avant sur le corps de la scie. Pour ce faire, enfoncez les deux (2) manchons de montage du protège-main dans les trous de forme hexagonale du corps de la scie (voir la Figure 2).



**Figure 2 - Assemblage du guide-chaîne, de la chaîne et du protège-main**

3. Introduisez ensuite les vis autotaraudeuses à travers le protège-main, jusque dans la poignée de la scie. Serrez les deux vis fermement.
4. Tournez la vis de réglage dans le sens antihoraire (voir la Figure 3). Continuez de tourner la vis de réglage jusqu'à ce que la cale de réglage arrive à l'arrière de la plaque d'ajustement.

5. Installez le guide-chaîne sur le corps de la scie. Placez l'arrière du guide-chaîne entre la plaque d'ajustement et le support du pignon de chaîne.

*IMPORTANT :* Veillez à insérer la cale de réglage dans le trou ovale de réglage du guide-chaîne.

6. Alignez les trous du support de pignon de chaîne avec la fente centrale du guide-chaîne et les trous du corps de la scie.

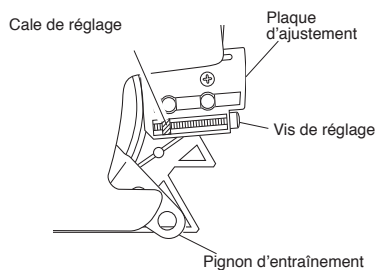
7. Introduisez les boulons du guide-chaîne dans le protège-main avant, le corps de la scie, la fente centrale du guide-chaîne et le support de pignon de chaîne. Montez les écrous de guide-chaîne aux boulons du guide-chaîne.

*IMPORTANT :* Serrez les écrous du guide-chaîne, au doigt seulement. Assurez-vous que la cale de réglage se trouve bien dans le trou ovale de réglage du guide-chaîne.

8. Placez la chaîne autour du pignon d'entraînement de la chaîne, puis le long de la rainure supérieure du guide-chaîne et autour du nez du guide-chaîne. *Remarque :* Assurez-vous que les bords de coupe de la chaîne sont orientés dans la bonne direction. Positionnez la chaîne de manière à ce que les bords de coupe du haut du guide-chaîne soient orientés vers le nez du guide-chaîne (voir la Figure 2).

9. Ajustez ensuite la tension de la chaîne. Suivez la méthode indiquée dans la section *Réglage de la tension de la chaîne*, page 58.

**⚠ AVERTISSEMENT : Ne pas placer la chaîne à l'envers sur la scie. Si la chaîne est placée à l'envers, la scie vibre fortement et ne coupe pas.**



**Figure 3 - Emplacement des pièces pour l'assemblage du guide-chaîne**

FRANÇAIS

## INFORMATION SUR LA TRONÇONNEUSE

### RÉGLAGE DE LA TENSION DE LA CHAÎNE

**⚠ AVERTISSEMENT :** Avant de régler la tension de la chaîne, débrancher le cordon de la prise de courant.

**⚠ AVERTISSEMENT :** Les tranchants de la chaîne sont affûtés. Porter des gants de protection pour manipuler la chaîne.

**⚠ AVERTISSEMENT :** Toujours maintenir la chaîne tendue correctement. Une chaîne détendue augmente le risque de recul. De plus, elle risque de sauter hors de la rainure de la guide-chaîne. Ceci pourrait blesser l'utilisateur et endommager la chaîne. En outre, une chaîne détendue provoque l'usure rapide de la chaîne, de la guide-chaîne et du pignon.

**Remarque :** Sur les modèles pré-assemblés, la tension de la chaîne est réglée correctement en usine. Une chaîne neuve se détend. Vérifier une chaîne neuve après les quelques premières minutes d'utilisation. Laisser la chaîne refroidir. Procéder de la façon suivante pour régler la tension.

1. Antes de regular la cadena, asegúrese que las tuercas de la barra guía estén solamente ajustadas a mano (voir la Figure 4). También asegúrese que el bloque de regulación esté en el orificio ovalado de regulación de la barra guía (voir les Figures 4 y 5).
2. Gire el tornillo de regulación en sentido horario hasta que no quede holgura en la cadena (voir la Figure 6). Remarque: No debería haber separación entre los eslabones laterales de la cadena y la parte inferior de la barra guía (voir la Figure 7).
3. Avec des gants de protection, déplacer la chaîne autour de la guide-chaîne. Elle doit bouger librement. Si ce n'est pas le cas, détendre la chaîne en tournant la vis de réglage dans le sens inverse des aiguilles d'une montre.
4. Une fois que la tension est correcte, serrer fermement les écrous de la guide-chaîne. Si les écrous n'étaient pas bien serrés, la guide-chaîne se déplacerait, ce qui détendrait la chaîne, augmenterait le risque de recul et endommagerait l'outil. Remarque : Une chaîne neuve se détend. Vérifier une chaîne neuve après les quelques premières minutes d'utilisation. Laisser la chaîne refroidir. Procéder au réglage de la tension.

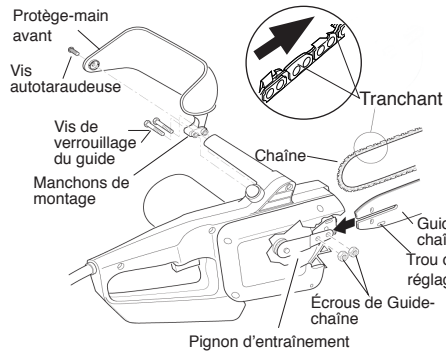


Figure 4 - Assemblage du guide-chaîne, de la chaîne et du protège-main

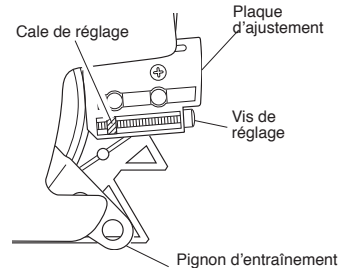


Figure 5 - Emplacement des pièces pour l'assemblage du guide-chaîne

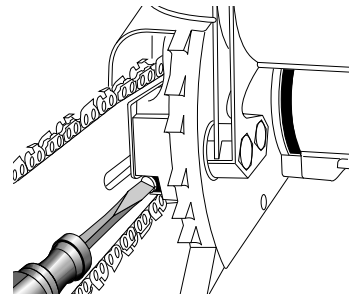


Figure 6 - Comment tourner la vis de réglage

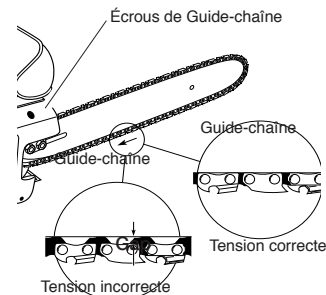


Figure 7 - Réglage de la chaîne

## INFORMATION SUR LA TRONÇONNEUSE

### RALLONGES ÉLECTRIQUES

Avec cette tronçonneuse, utiliser la rallonge correcte. Utiliser uniquement des rallonges spécifiées pour l'usage à l'extérieur. La rallonge doit être marquée avec le suffixe W ou W-A après la désignation du type de cordon. Exemple : SJTW-A ou SJTW.

Utiliser un cordon de taille correcte avec cette tronçonneuse. Le diamètre du cordon doit être suffisant pour transporter le courant nécessaire. Un cordon de dimension insuffisante provoquera une chute de tension au niveau de la tronçonneuse. Le tronçonneuse perdra de la puissance et surchauffera. Suivre les recommandations figurant ci-dessous pour les tailles de cordon nécessaires.

| Longueur du cordon | Taille AWG du cordon |
|--------------------|----------------------|
| 7,50 m (25 pieds)  | 16 AWG               |
| 15 m (50 pieds)    | 16 AWG               |
| 30 m (100 pieds)   | 16 AWG               |
| 45 m (150 pieds)   | 14 AWG               |

Tenir le cordon éloigné de la zone de coupe. S'assurer qu'il n'est pas accroché dans les branches ou billes durant la coupe. Inspecter souvent les cordons électriques. Les remplacer quand ils sont endommagés.

Pendant l'utilisation de la scie, il peut arriver que le câble de rallonge se débranche de lui-même. Pour éviter ceci, faites un noeud avec les deux câbles, comme le montre la Figure 8.

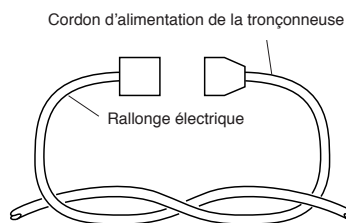


Figure 8 - Comment attacher ensemble le câble de rallonge et le cordon d'alimentation de la scie

### REPLISSAGE DU RÉSERVOIR D'HUILE

1. Enlever le bouchon d'huile.
2. Remplir le réservoir d'huile avec de l'huile moteur SAE#30.

**Remarque:** Pour les températures inférieures à -1 °C (30°F), utiliser de l'huile SAE#10. Pour les températures supérieures à 24°C (75°F), utiliser de l'huile SAE#40.

**IMPORTANT: N'UTILISEZ PAS d'huile à chaîne standard.**

3. Remettre le bouchon d'huile immédiatement en place. Bien le visser pour qu'il soit étanche. Ceci évite les fuites d'huile.
4. Essuyer l'excédent d'huile.

**Remarque :** Il est normal que l'huile suinte lorsque la tronçonneuse n'est pas utilisée. Vider le réservoir d'huile, visser le bouchon et ranger la scie à l'envers après chaque usage pour empêcher l'huile de suinter.

### LUBRIFICATION DE LA CHAÎNE

Vérifier toujours le niveau d'huile avant d'utiliser la tronçonneuse. Ne pas essayer d'utiliser le système de lubrification pendant que la tronçonneuse est en marche. Pour lubrifier la chaîne, appuyez sur la poire. De l'huile se propage sur la guide-chaîne et la chaîne. Appuyez sur la poire au moins une fois avant chaque coupe (voir la Figure 9). Vérifiez le niveau de l'huile fréquemment par le regard de niveau de la scie. Ce regard se trouve du côté gauche de la scie, entre la poignée avant et le protège-main avant.

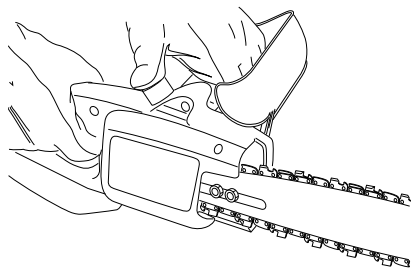


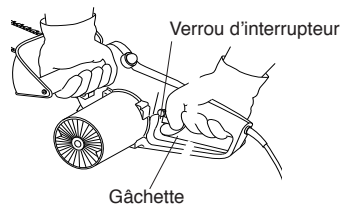
Figure 9 - Comment presser la poire de graissage du bouchon de remplissage du carter d'huile

FRANÇAIS

## INFORMATION SUR LA TRONÇONNEUSE

### SCIAGE AVEC LA TRONÇONNEUSE ABATTAGE D'UN ARBRE

1. Relier la tronçonneuse à une rallonge électrique. Brancher la rallonge à une prise de courant.
2. La section de bille à tronçonner ne doit pas se trouver sur le sol. Ceci évite que la chaîne ne touche le sol à la fin du tronçonnage. Une chaîne en mouvement qui touche le sol s'émousse.
3. Se servir des deux mains pour tenir la tronçonneuse. Toujours utiliser la main gauche pour saisir la poignée avant et la main droite pour saisir la poignée arrière. Tenir fermement. Les pouces et les doigts doivent entourer les poignées (voir la Figure 10).
4. Veiller à maintenir un bon équilibre. Garder les pieds écartés. Répartir le poids également sur les deux pieds.
5. Lorsque vous êtes prêt à faire une coupe, enfoncez le bouton du verrouillage d'interdiction de la gâchette avec le pouce droit, et appuyez sur la gâchette (voir la Figure 10). Ceci met la tronçonneuse en marche. Elle s'arrête quand on lâche la gâchette. S'assurer que la chaîne tourne à la vitesse maximum avant d'entamer l'entaille.
6. Au moment d'entamer l'entaille, placer la chaîne en mouvement contre le bois. Tenir la tronçonneuse fermement en place pour éviter qu'elle rebondisse ou dérape (mouvement latéral).



**Figure 10 - Emplacements du bouton du verrouillage d'interdiction de la gâchette et de la gâchette**

7. Guider l'outil en exerçant une légère pression. Ne pas forcer dessus. Le moteur serait surchargé et pourrait griller. Il fonctionnera de façon plus efficace et plus sûre à la vitesse pour laquelle il a été prévu.
8. Retirer la tronçonneuse d'une coupe en gardant la tronçonneuse à pleine vitesse. Arrêter la tronçonneuse en relâchant la gâchette. S'assurer que la chaîne est arrêtée avant de poser la tronçonneuse.
9. S'exercer à scier jusqu'à ce qu'on puisse maintenir une allure régulière.

#### **⚠ AVERTISSEMENT :**

- Éviter la réaction de recul qui peut provoquer des blessures graves ou la mort. Voir Recul, pages 53 et 54, pour éviter les risques de recul.
- Ne pas abattre d'arbre si l'on ne possède pas l'expérience suffisante et si l'on ne dispose pas d'assistance expérimentée.
- Ne pas laisser les enfants, animaux et personnes présentes s'approcher de l'endroit où l'arbre pourrait tomber.
- Si deux ou plusieurs personnes participent aux travaux de tronçonnage et d'abattage en même temps, prévoir un espace suffisant entre les différentes opérations. Il faut une distance au moins égale à deux fois la hauteur de l'arbre à abattre.

**⚠ AVERTISSEMENT :** Lors de l'abattage d'un arbre, bien étudier les alentours. Ne mettre personne en danger. Veiller à ne pas heurter de lignes de services publics et à ne pas causer de dégâts matériels. Si l'arbre heurte une ligne de service public, contacter immédiatement les responsables.

L'abattage est la coupe d'un arbre entier. Veiller à maintenir un bon équilibre. Garder les pieds écartés. Répartir le poids également sur les deux pieds. Procéder de la façon suivante pour l'abattage d'un arbre.

#### **Avant d'abattre un arbre**

1. Avant d'abattre un arbre, l'inspecter. S'assurer qu'il n'y a pas de branches mortes qui pourraient tomber sur l'utilisateur. Étudier l'inclinaison naturelle de l'arbre, l'emplacement des grosses branches et la direction du vent. Ceci aide à juger où l'arbre va tomber.
2. Dégager la zone de travail tout autour de l'arbre.
3. Avant d'abattre un arbre, prévoir un chemin de dégagement et le dégager. Le prévoir à l'opposé de la direction de chute de l'arbre et à un angle de 45°. (voir la Figure 11, à la page 61).
4. Débarrasser l'arbre où l'on va effectuer les entailles de saleté, cailloux, écorce détachée, clous, agrafes et fil de fer qui pourraient s'y trouver.
5. Lors de l'abattage d'un arbre, rester du côté amont de la pente car il pourrait rouler ou glisser après sa chute.

## INFORMATION SUR LA TRONÇONNEUSE

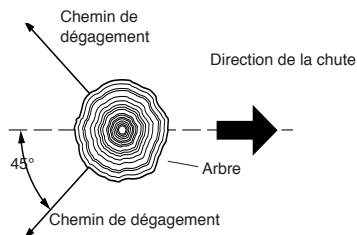


Figure 11 - Chemin de dégagement pour s'éloigner de l'arbre

### Procédure d'abattage

#### A) Sifflet d'abattage

Un sifflet d'abattage correctement placé permet de déterminer la direction de la chute de l'arbre. Placer le sifflet d'abattage du côté de l'arbre où l'on veut qu'il tombe. (voir la Figure 12.) Procéder de la façon suivante pour faire le sifflet.

1. Faire l'entaille inférieure aussi près du sol que possible. Tenir la tronçonneuse de manière à ce que la guide-chaîne soit horizontale. Tailler sur 1/3 du diamètre du tronc d'arbre. (voir la Figure 12.)

*Remarque :* Toujours commencer par faire cette entaille inférieure horizontale. Si l'on fait cette entaille en second, l'arbre risque de pincer la chaîne ou la guide-chaîne.

2. Entamer l'entaille supérieure au-dessus de la 1ère entaille, à une distance égale à la profondeur de cette dernière.

Exemple : Si l'entaille inférieure a 20 cm (8 po) de profondeur, commencer l'entaille supérieure à 20 cm au-dessus de cette dernière. Scier vers le bas à un angle de 45°. L'entaille supérieure doit rencontrer l'extrémité de l'entaille inférieure. (voir la Figure 12.)

3. Enlever le morceau de tronc créé par les deux entailles.

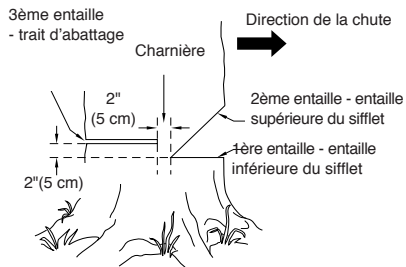


Figure 12 - Abattage d'un arbre

#### B) Trait d'abattage

1. De l'autre côté de l'arbre, faire le trait d'abattage à 5 cm (2 po) au-dessus de l'entaille inférieure du sifflet. (voir la Figure 12.) Faire le trait parallèle à l'entaille inférieure.
2. Scier en direction du sifflet.

**AVERTISSEMENT :** Ne pas scier l'arbre complètement. Laisser environ 5 cm (2 po) de bois non scié directement derrière le sifflet d'abattage. (voir la Figure 11.) Cette partie non sciée sert de charnière. La charnière empêche l'arbre de se tordre et de tomber dans la mauvaise direction.

3. Lorsque le trait d'abattage approche de la charnière, l'arbre doit commencer à tomber. Remarque : Si nécessaire, enfoncer des coins dans le trait d'abattage pour contrôler la direction de la chute. Si l'arbre revient en arrière et pince la chaîne, enfoncer des coins dans le trait d'abattage pour libérer la tronçonneuse. Utiliser uniquement des coins en plastique, en bois ou en aluminium. Ne jamais utiliser de coin en acier. Ceci provoquerait une réaction de recul qui risquerait d'endommager la chaîne.

4. Lorsque l'arbre commence à tomber, faire très rapidement les opérations suivantes :

- sortir la tronçonneuse du trait d'abattage ;
- lâcher la gâchette pour arrêter la tronçonneuse ;
- poser la tronçonneuse sur le sol ;
- s'éloigner par le chemin de dégagement.

**AVERTISSEMENT :** Surveiller les branches qui tombent. Regarder où l'on met les pieds en s'éloignant.

FRANÇAIS

## INFORMATION SUR LA TRONÇONNEUSE

### ÉBRANCHAGE

**⚠ AVERTISSEMENT : Éviter la réaction de recul qui peut provoquer des blessures graves ou la mort. Voir *Recul*, pages 52 et 53, pour éviter les risques de recul.**

**⚠ AVERTISSEMENT : Pour couper une branche sous tension, faire très attention. Veiller au bois qui fait ressort: quand la tension disparaît, la branche projetée risque de heurter l'utilisateur, entraînant des blessures graves ou la mort.**

L'ébranchage est la coupe des branches d'un arbre tombé. Veiller à maintenir un bon équilibre. Garder les pieds écartés. Répartir le poids également sur les deux pieds. Ne pas retirer les grosses branches sous l'arbre qui soutiennent le tronc surélevé. Retirer chaque branche d'une seule coupe. (voir la Figure 13.) Dégager souvent la zone de travail en écartant le bois coupé. Ceci contribue à la sécurité du travail.

Veiller à entamer l'entaille à un endroit où la branche ne pincera pas la tronçonneuse durant la coupe. Pour éviter le pincement, entamer l'entaille sur des branches libres, à partir du dessus de la branche. Pour les branches sous tension, entamer l'entaille à partir du dessous de la branche. En cas de pincement, arrêter la tronçonneuse, soulever la branche puis retirer l'outil.



Figure 13 - Ébranchage d'un arbre

### TRONÇONNAGE D'UNE BILLE

**⚠ AVERTISSEMENT : Éviter la réaction de recul qui peut provoquer des blessures graves ou la mort. Voir *Recul*, pages 52 et 53, pour éviter les risques de recul.**

Le tronçonnage d'une bille se fait en la coupant en tronçons. Veiller à maintenir un bon équilibre. Garder les pieds écartés. Répartir le poids également sur les deux pieds. Se tenir légèrement à gauche

de la tronçonneuse. Ceci évite que le corps ne soit en prolongement direct de la chaîne. Autant que possible, soulever la bille ou le tronçon au-dessus du sol. Pour ce faire, utiliser des branches, tronçons, cales, etc.

Pendant le tronçonnage de la bille, maintenir le contrôle en réduisant la pression vers la fin du tronçonnage. Ne pas relâcher les poignées de la tronçonneuse. Veiller à ce que la chaîne en mouvement ne touche pas le sol car cela l'émousserait. Après le tronçonnage, lâcher la gâchette pour arrêter la tronçonneuse avant de la déplacer.

Procéder de la façon suivante pour tronçonner une bille.

#### Toute la bille repose au sol.

Tronçonner la bille à partir du dessus. (voir la Figure 14.)

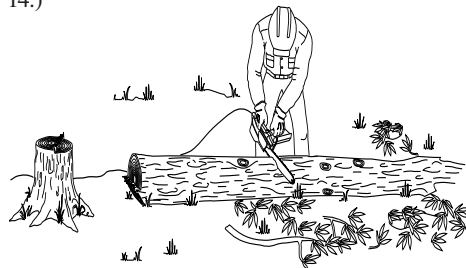


Figure 14 - Tronçonnage d'une bille qui repose entièrement au sol

**⚠ AVERTISSEMENT :**

- Si l'on se trouve sur une pente, s'assurer que la bille ne roulera pas. La maintenir en place à l'aide de piquets de bois. Enfoncer les piquets dans le sol du côté aval par rapport à la bille. Se tenir du côté amont de la bille pour tronçonner car les tronçons risquent de rouler.
- Ne jamais essayer de tronçonner deux billes à la fois. Ceci pourrait augmenter le risque de recul.
- Pendant le tronçonnage d'une bille, ne jamais tenir la bille avec la main, la jambe ou le pied.
- Pendant le tronçonnage d'une bille, ne jamais laisser quelqu'un d'autre tenir la bille.
- Arrêter la tronçonneuse et la débrancher avant de la déplacer d'un endroit à un autre.

## INFORMATION SUR LA TRONÇONNEUSE

### La bille est soutenue à une extrémité.

1. Faire la première entaille sur le dessous de la bille. (voir la Figure 15.) Pour ce faire, utiliser le haut de la guide-chaîne. Scier sur le tiers du diamètre de la bille. Cette entaille permet d'éviter la production d'éclats de bois.
2. Faire la seconde entaille directement au-dessus de la première. Aller jusqu'à la rencontre de la première entaille. Ceci permet d'éviter le pincement de la guide-chaîne et de la chaîne.

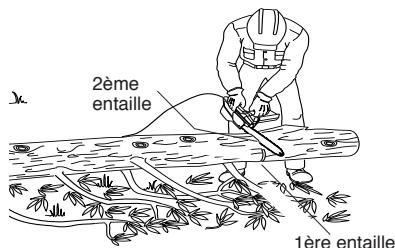


Figure 15 - Tronçonnage d'une bille soutenue à une extrémité

### La bille est soutenue aux deux extrémités.

1. Faire la première entaille à partir du dessus de la bille. (voir la Figure 16.) Scier sur le tiers du diamètre de la bille. Cette entaille permet d'éviter la production d'éclats de bois.
2. Faire la seconde entaille sur le dessous de la bille, directement au-dessous de la première. Pour ce faire, utiliser le haut de la guide-chaîne. Aller jusqu'à la rencontre de la première entaille. Ceci permet d'éviter le pincement de la guide-chaîne et de la chaîne.

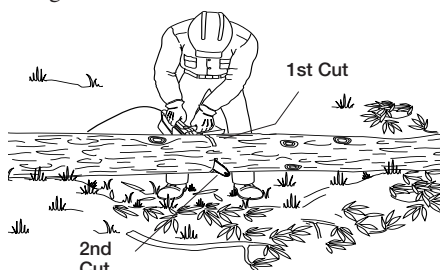


Figure 16 - Tronçonnage d'une bille soutenue aux deux extrémités

### TAILLE D'UN ARBRE (Élagage)

**AVERTISSEMENT** : Éviter la réaction de recul qui peut provoquer des blessures graves ou la mort. Voir *Recul*, pages 52 et 53, pour éviter les risques de recul.

**AVERTISSEMENT** : Ne pas utiliser la tronçonneuse quand on est :

- dans un arbre,
- sur une échelle ou toute autre surface instable,
- dans une position instable.

On risque de perdre le contrôle de l'outil, ce qui peut provoquer des blessures graves.

**AVERTISSEMENT** : Ne pas couper de branches au-dessus de la hauteur de l'épaule.

**AVERTISSEMENT** : Si l'utilisateur estime les conditions de travail au-delà de ses capacités, il lui est conseillé de faire appel à un professionnel.

La taille d'un arbre est la coupe des branches de l'arbre sur pied. Veiller à maintenir un bon équilibre. Garder les pieds écartés. Répartir le poids également sur les deux pieds. Procéder de la façon suivante pour la taille d'un arbre.

1. Faire la première entaille à 15 cm (6 po) du tronc, sur le dessous de la branche. Utiliser le haut de la guide-chaîne pour faire cette entaille. Couper sur 1/3 du diamètre de la branche. (voir la Figure 17.)
2. Avancer de 5 à 10 cm (2 à 4 po) plus loin sur la branche. Faire la seconde entaille à partir du dessus de la branche. Continuer jusqu'à ce que la branche soit sectionnée.
3. Faire la 3ème entaille aussi près du tronc que possible, sur le dessous du reste de la branche. Utiliser le haut de la guide-chaîne pour faire cette entaille. Couper sur 1/3 du diamètre du reste de la branche.
4. Faire la 4ème entaille juste au-dessus de la 3ème. Tailler pour rencontrer la 3ème entaille. Ceci enlève le reste de la branche.

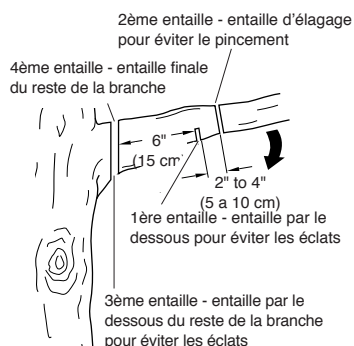


Figure 17 - Coupe d'une branche

FRANÇAIS

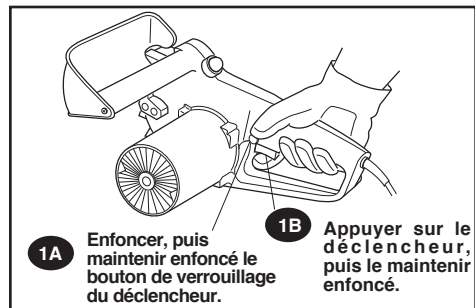
## INFORMATION SUR LA TRONÇONNEUSE SUR TIGE

### ASSEMBLAGE DE LA SCIE À PERCHE - RPS2N1

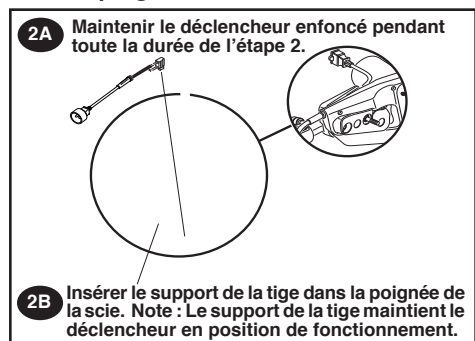
#### QUINCAILLERIE - SCIE À PERCHE

- (1) console de poignée
- (1) Bouton
- (1) Rondelle de blocage

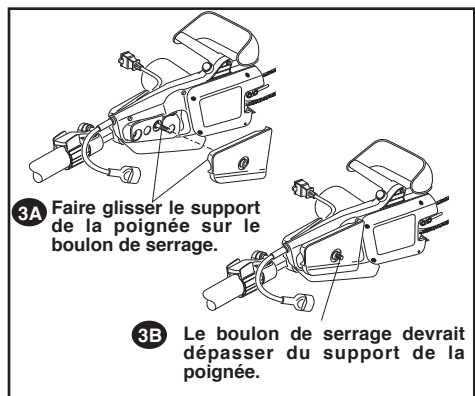
#### Étape ① – Serrer le déclencheur



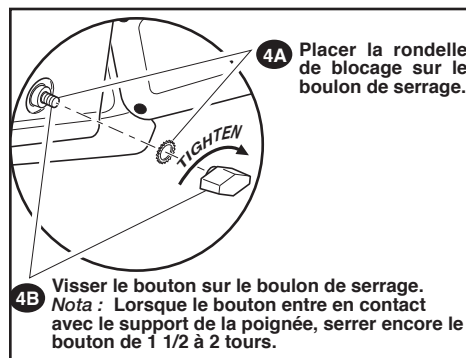
#### Étape ② – Insérer le support de la tige dans la poignée



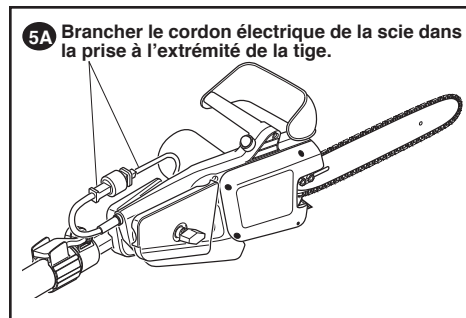
#### Étape ③ – Mettre le support de la poignée sur le support de la tige



#### Étape ④ – Fixer le support de la poignée au support de la tige



#### Étape ⑤ – Branchement du cordon électrique





## INFORMATION SUR LA TRONÇONNEUSE SUR TIGE

### RÉGLAGE DE LA LONGUEUR DE LA PERCHE

La scie à perche Remington est dotée d'un assemblage à perche télescopique dont la longueur varie de 145 cm (57 po) (toute rentrée) à 244 cm (96 po) (toute sortie). Un collier avec levier de serrage permet de maintenir la tige à la longueur de travail désirée.

1. Pour rallonger la tige, desserrer le levier de serrage comme illustré dans la Figure 18. La perche peut alors glisser librement.
2. Tirez sur le tronçon interne de la perche pour le sortir à la longueur voulue. Remarque : Sortez la perche seulement à la longueur minimale requise pour atteindre la branche que vous voulez couper.
3. Pour verrouiller la tige à la longueur désirée, serrer le levier de serrage comme illustré dans la Figure 18.

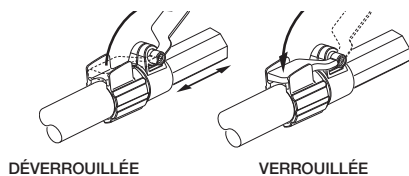


Figure 18 - Extension de la perche télescopique

### COMMENT COUPER À L'AIDE LA SCIE À PERCHE

1. Relier la tronçonneuse à une rallonge électrique. Brancher la rallonge à une prise de courant.
2. Servez-vous de vos deux mains pour saisir la scie à perche. Ne saisissez que les parties désignées pour la prise pour utiliser la scie à perche (voir Figure 19). Votre prise doit être ferme. Le pouce et les doigts doivent être complètement refermés sur la perche et la poignée.
3. Veiller à maintenir un bon équilibre. Garder les pieds écartés. Répartir le poids également sur les deux pieds.
4. Lorsque vous êtes prêt à faire une coupe, enfoncez le verrouillage d'interdiction de la gâchette, puis appuyez sur la gâchette (voir Figure 20). Ceci met en marche la scie. Pour mettre la scie à l'arrêt, vous relâchez la gâchette. S'assurer que la chaîne tourne à la vitesse maximum avant d'entamer l'entaille.
5. Au moment d'entamer l'entaille, placer la chaîne en mouvement contre le bois. Tenez la scie à perche fermement en place, afin d'éviter les rebonds et les effets de poussée latérale de la scie.

6. Pour guider la scie à perche, n'exercez qu'une légère pression. Ne la forcez pas. Le moteur serait surchargé et pourrait griller. Il fonctionnera de façon plus efficace et plus sûre à la vitesse pour laquelle il a été prévu.
7. Retirez la scie du trait de coupe à plein régime. Arrêtez la scie à perche en relâchant la gâchette. Assurez-vous que la chaîne a cessé de tourner avant de poser la scie au sol.

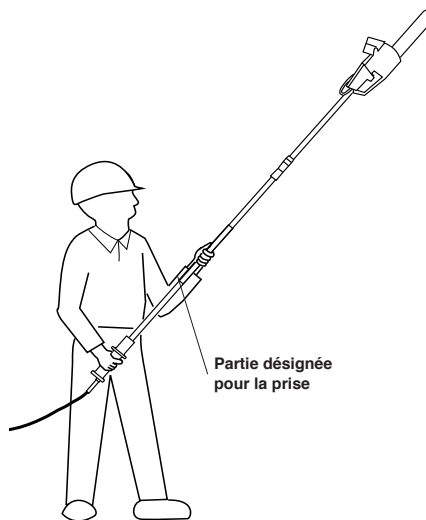


Figure 19 - Parties désignées pour la prise

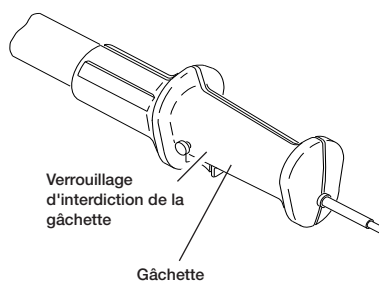


Figure 20 - Poignée de la scie à perche avec verrouillage d'interdiction de la gâchette

FRANÇAIS

## NETTOYAGE ET ENTRETIEN

**AVIS :** Les instructions pour l'entretien de la tronçonneuse se trouvent ci-dessous. Tout entretien qui n'est pas mentionné ci-dessous doit être effectué par un réparateur agréé.

### NETTOYAGE DU CARTER DE TRONÇONNEUSE

**⚠ AVERTISSEMENT :** Avant de procéder à l'entretien, débrancher la tronçonneuse de la prise de courant. Des blessures graves ou la mort peuvent être provoquées par les chocs électriques et le contact du corps avec la chaîne en mouvement.

**⚠ AVERTISSEMENT :** Les tranchants de la chaîne sont affûtés. Porter des gants de protection pour manipuler la chaîne.

**⚠ AVERTISSEMENT :** Pour nettoyer le carter de la tronçonneuse :

- Ne pas la plonger dans un liquide.
- Ne pas utiliser de produits contenant de l'ammoniaque, du chlore ou des abrasifs.
- Ne pas utiliser de solvants de nettoyage au chlore, de tétrachlorure de carbone, de kérosène ni d'essence.

Maintenir propre le carter de la tronçonneuse. Utiliser un chiffon doux imprégné d'un mélange d'eau et de savon doux. Essuyer le carter.

### ENTRETIEN DE LA GUIDE-CHAÎNE

La plupart des problèmes de guide-chaîne sont causés par son usure inégale. La cause en est souvent l'affûtage incorrect des taillants de la chaîne et le réglage incorrect des limiteurs de profondeur. Lorsque la guide-chaîne s'use de manière inégale, sa rainure s'élargit. (voir la Figure 21.) Ceci fait claquer la chaîne et sauter les rivets. La tronçonneuse ne peut plus scier droit. Il faut dans ce cas remplacer la guide-chaîne.

Inspecter la guide-chaîne avant d'affûter la chaîne. Une guide-chaîne usée ou endommagée présente des dangers. Elle endommage la chaîne. Le sciage devient également plus difficile.

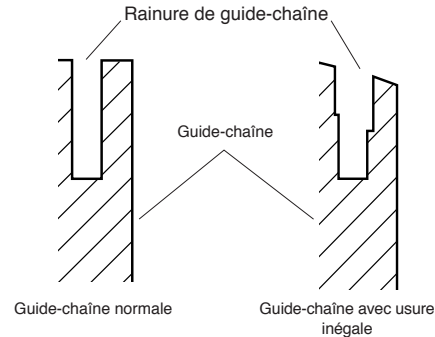


Figure 21- Coupe transversale d'une guide-chaîne montrant une usure inégale

### Entretien normal de la guide-chaîne

1. Sortir la guide-chaîne de la tronçonneuse.
2. Retirer périodiquement la sciure se trouvant dans la rainure de la guide-chaîne. Utiliser un couteau à mastic ou un morceau de fil de fer (voir la Figure 22).
3. Nettoyer les fentes à huile après chaque journée d'utilisation.
4. Éliminer les ébarbures des côtés de la guide-chaîne. Utiliser une lime plate pour redresser les bords.

Remplacer la guide-chaîne quand :

- la lame est tordue ou fendue,
- la rainure interne de la lame est très usée.

Remarque : Pour le remplacement de la guide-chaîne, consulter le paragraphe *Pièces de rechange et accessoires*, page 69, pour connaître la guide-chaîne correcte à utiliser.

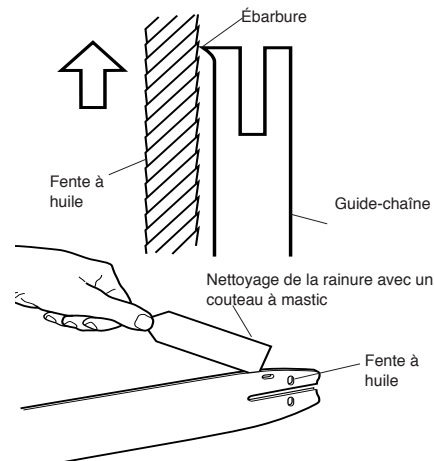


Figure 22 - Entretien de la guide-chaîne

## NETTOYAGE ET ENTRETIEN

### AFFÛTAGE DE LA CHAÎNE

**⚠ AVERTISSEMENT : Avant de procéder à l'entretien, débrancher la tronçonneuse de la prise de courant. Des blessures graves ou la mort peuvent être provoquées par les chocs électriques et le contact du corps avec la chaîne en mouvement.**

**⚠ AVERTISSEMENT : Les tranchants de la chaîne sont affûtés. Porter des gants de protection pour manipuler la chaîne.**

Maintenir la chaîne affûtée. La tronçonneuse scie plus rapidement et de façon plus sécuritaire. Une chaîne émoussée provoque l'usure prématurée du pignon, de la guide-chaîne, de la chaîne et du moteur. Si l'utilisateur est contraint de forcer sur la chaîne pour la faire entrer dans le bois et si le sciage ne produit que de la sciure avec peu de gros copeaux, c'est que la chaîne est émoussée.

#### Outils nécessaires pour affûter la chaîne

Ces outils peuvent être achetés chez le concessionnaire local, dans une quincaillerie ou un dépôt de fournitures pour tronçonneuses.

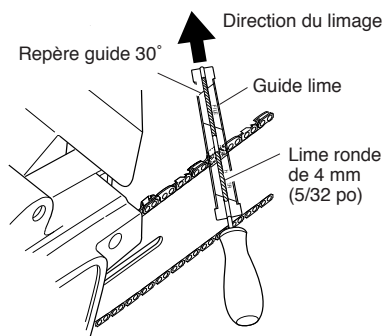
- lime ronde de 4 mm (5/32 po)
- outil pour limiteur de profondeur
- lime plate moyenne
- guide lime
- étau

#### Affûtage des taillants

Utiliser le guide lime pour un limage à 30°.

1. Régler la chaîne à sa tension correcte. (Voir *Réglage de la tension de la chaîne*, à la page 58).
2. Serrer la guide-chaîne dans un étau pour immobiliser la tronçonneuse. Remarque : Ne pas serrer la chaîne.
3. Enfoncer la lime ronde de 4 mm (5/32 po) (attachée au guide lime) dans la rainure, entre la plaque supérieure et le limiteur de profondeur sur la chaîne. Le guide lime doit reposer sur la plaque supérieure et sur le limiteur de profondeur. (voir la Figure 23.)  
Remarque : Limer au milieu de la guide-chaîne.
4. Tenir le guide lime horizontal. S'assurer que le repère 30° du guide lime est parallèle à l'axe de la guide-chaîne. (voir la Figure 23.) Ceci permet de s'assurer que l'on lime les taillants à un angle de 30°.

5. Limer le taillant de l'intérieur vers l'extérieur, jusqu'à ce qu'il soit affûté. Ne limer que dans cette seule direction. (voir la Figure 23.)  
Remarque : 2 ou 3 coups de lime doivent affûter le taillant.
6. Une fois le taillant affûté, avancer la chaîne pour affûter le taillant suivant. Limer tous les taillants du même côté de la chaîne.
7. Passer de l'autre côté de la chaîne et répéter l'opération.



**Remarque :** Cette illustration représente la position du guide lime et la direction du limage pour l'affûtage des taillants du côté gauche de la chaîne.

**Figure 23 -Position de la lime et du guide lime sur la chaîne**

#### Limage des limiteurs de profondeur des taillants

Le dégagement des limiteurs de profondeur des taillants est réduit lorsque ces derniers sont affûtés. Tous les 2 ou 3 affûtages, régler les limiteurs de profondeur.

1. Placer l'outil pour limiteur de profondeur fermement par-dessus 2 taillants. S'assurer que le limiteur de profondeur entre dans la fente de l'outil. (voir la Figure 25, à la page 68)
2. Utiliser une lime plate moyenne. Limer le limiteur de profondeur avec l'outil.
3. Retirer l'outil. Avec la lime plate, arrondir le coin avant du limiteur de profondeur. (voir la Figure 26, à la page 68.)

Après plusieurs limages à la main, faire affûter la chaîne par un centre de réparation agréé ou dans une affûteuse. Ceci permet d'avoir un limage uniforme.

FRANÇAIS

## NETTOYAGE ET ENTRETIEN

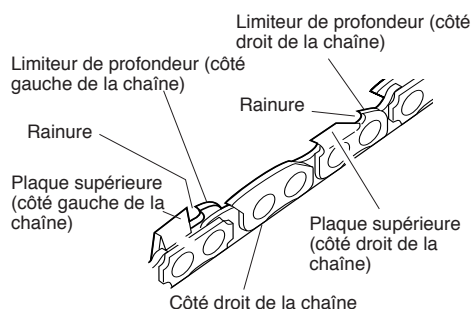


Figure 24 - Emplacement des pièces de la chaîne

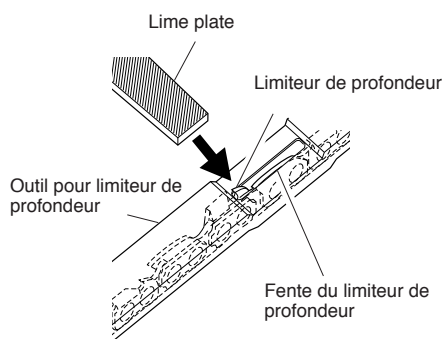


Figure 25 - Position de l'outil pour limiteur de profondeur sur la chaîne

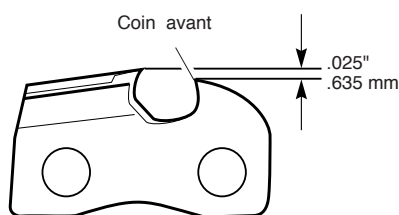


Figure 26 - Arrondir le coin avant du limiteur de profondeur

## REMPACEMENT DE LA CHAÎNE

Remplacer la chaîne lorsque les taillants sont trop usés pour être affûtés ou lorsque la chaîne casse. Utiliser uniquement la chaîne de rechange spécifiée dans ce manuel. Toujours remplacer le pignon d'entraînement par un neuf lors du remplacement de la chaîne. On obtient ainsi l'entraînement correct de la chaîne. **Remarque :** Pour connaître la chaîne et le pignon d'entraînement corrects à utiliser, voir *Pièces de rechange et accessoires*, à la page 69.

## CHAÎNES DE RECHANGE

Vous pouvez vous procurer une chaîne de rechange chez le quincaillier ou le centre de rénovation de votre localité. Voici la liste des caractéristiques d'une telle chaîne.

Toutes les chaînes sont de calibre 0.050 et ont un pas de 3/8.

- Les chaînes de 8po possèdent 34 maillons-guide
- Les chaînes de 10 po possèdent 39 maillons-guide.

Vous pouvez aussi commander des pièces à « l'atelier en ligne » à l'adresse [www.desatech.com](http://www.desatech.com).

## REMISAGE

Si l'on remise la tronçonneuse pour plus de 30 jours, procéder de la façon suivante :

1. Vidangez le réservoir d'huile après chaque utilisation.
2. Déposer la guide-chaîne et la chaîne et les nettoyer. Pour ce faire, les tremper dans un solvant à base de pétrole ou dans un mélange d'eau et de savon doux.
3. Sécher la guide-chaîne et la chaîne.
4. Placer la chaîne dans un récipient rempli d'huile. Ceci l'empêche de rouiller.
5. Passer une légère couche d'huile sur la surface de la guide-chaîne.
6. Essuyer l'extérieur du carter de la tronçonneuse avec un chiffon doux imprégné d'un mélange d'eau et de savon doux.
7. Remiser la chaîne :
  - dans un endroit en hauteur ou verrouillé, hors de la portée des enfants,
  - dans un endroit sec,
  - dans une malette de transport ou avec un fourreau recouvrant la guide-chaîne.

## NETTOYAGE ET ENTRETIEN

### SERVICE TECHNIQUE

Peut-être aurez-vous d'autres questions sur l'assemblage, le fonctionnement ou l'entretien de ce produit. Si c'est le cas, visitez le site Web du Service technique à l'adresse [www.desatech.com](http://www.desatech.com) ou contactez le Service technique au 1 800 626-2237 (en anglais seulement). Vous pouvez aussi nous écrire à l'adresse suivante :

DESA Power Tools

ATTN. : Technical Service P.O. Box 90004

Bowling Green, KY 42101-9004

Lorsque vous contactez DESA Power Tools veuillez avoir à portée de la main :

- Votre nom
- Votre adresse
- Votre numéro de téléphone
- Le numéro de modèle du produit
- La date d'achat (y compris une copie du reçu de caisse pour les demandes écrites).

Spécifier toujours le numéro de modèle et le numéro de série lors de toute correspondance adressée à l'usine. Nous nous réservons le droit de modifier ces spécifications à n'importe quel moment sans préavis. La seule garantie applicable est notre garantie écrite standard. Nous n'accordons aucune autre garantie, expresse ou tacite.

**⚠ AVERTISSEMENT : Utiliser uniquement les pièces de rechange et les accessoires décrits dans ce manuel. L'emploi d'autres pièces ou accessoires pourrait endommager la tronçonneuse ou blesser l'opérateur.**

### PIÈCES DE RECHANGE ET ACCESSOIRES

Pour obtenir des pièces de rechange et des accessoires d'origine pour ce produit, contactez le détaillant autorisé ou le centre de service autorisé le plus proche. Si ces derniers ne sont pas en mesure de vous fournir la pièce ou l'accessoire dont vous avez besoin, contactez le dépôt de pièces le plus proche, inscrit sur la liste à la page 75. Chaque détaillant autorisé, centre de service autorisé et dépôt de pièces est la propriété exclusive de la personne qui en assure l'exploitation de façon indépendante. Vous pouvez aussi commander des pièces à « l'atelier en ligne » à l'adresse [www.desatech.com](http://www.desatech.com).

Consultez les pages 72 et 74 pour une liste illustrée des pièces.

Pour plus de détails, contactez le Service technique (consultez la section Service technique).

Au Canada, faites le 1 800 561-3372 pour obtenir plus de détails sur les pièces.

### SERVICE DE RÉPARATION

*Note* : Utilisez seulement des pièces de rechange d'origine. Vous aurez ainsi droit à la protection de la garantie pour toute pièce remplacée en vertu de la garantie.

### SERVICE SOUS GARANTIE

Si le produit doit être réparé pendant la période de validité de la garantie, apportez-le au centre de service autorisé le plus proche. Vous devrez alors présenter une preuve d'achat. Si le problème est attribuable à un défaut de fabrication ou de matériau, nous assurerons sans frais la réparation ou le remplacement du produit. *Note* : Les dommages attribuables à l'usure normale, à une utilisation abusive ou à mauvais escient, à la négligence ou à un accident ne sont pas couverts aux termes de la garantie.

### SERVICE HORS GARANTIE

Si le produit doit être réparé, apportez-le au centre de service autorisé le plus proche. Les frais de réparation vous seront facturés conformément au prix habituel des réparations.

Pour plus de détails sur le centre de service ou sur la garantie, faites le 1 800 626-2237 ou visitez le site Web du Service technique à l'adresse [www.desatech.com](http://www.desatech.com).

FRANÇAIS

## DÉPANNAGE

**Note:** For additional help, visit DESA Power Tools technical service web site at [www.desatech.com](http://www.desatech.com).

**⚠ WARNING: Unplug chain saw from power source before servicing. Severe injury or death could occur from electrical shock or body contact with moving chain.**

### DÉFAILLANCE OBSERVÉE

### CAUSE POSSIBLE

### REMÈDE

|  |   |   |
|--|---|---|
| La chaîne tourne mais ne scie pas  | Chaîne assemblée à l'envers sur la guide-chaîne   | Voir <i>Assemblage de la tronçonneuse</i> à la page 57  |
| La chaîne ne scie que lorsqu'elle est forcée. La taille ne produit que de la sciure avec quelques gros copeaux | La chaîne est émoussée  | Voir <i>Affûtage de la chaîne</i> à la page 67  |
| La chaîne tourne lentement. Elle cale facilement   | Faible tension électrique d'alimentation  | La rallonge électrique est d'un calibre trop petit. Voir <i>Rallonges électriques</i> , à la page 59  |
| Le moteur de la tronçonneuse ne marche pas quand on appuie sur la gâchette                                     | <ol style="list-style-type: none"><li>1. Bouton du verrouillage d'interdiction de la gâchette non enfoncé pour libérer la gâchette</li><li>2. Raccords des cordons électriques desserrés</li><li>3. Fusible ou disjoncteur de ligne ouvert</li><li>4. Balais de moteur usés</li><li>5. Circuit électrique ouvert dans la tronçonneuse</li></ol> | <ol style="list-style-type: none"><li>1. Enfoncez le bouton du verrouillage d'interdiction avant de tenter d'appuyer sur la gâchette.</li><li>2. Vérifier les raccords</li><li>3. Vérifier le fusible ou le disjoncteur</li><li>4. Contacter un réparateur agréé</li><li>5. Contacter un réparateur agréé</li></ol> |
| Le moteur de la tronçonneuse marche mais la chaîne ne bouge pas  | Défaillance du pignon d'entraînement  | Retirez le pignon et inspectez-le à la recherche de dommage.  |
| L'huile n'arrive pas à la chaîne   | <ol style="list-style-type: none"><li>1. Fente à huile bouchée dans la guide-chaîne</li><li>2. Huile trop épaisse</li></ol>   | <ol style="list-style-type: none"><li>1. Déposer la guide-chaîne et nettoyer la fente à huile</li><li>2. Utiliser l'huile de viscosité correcte. Voir <i>Remplissage du réservoir d'huile</i> à la page 59</li></ol>  |
| La chaîne saute hors de la guide-chaîne  | <ol style="list-style-type: none"><li>1. Chaîne détendue</li><li>2. La guide-chaîne et la chaîne n'ont pas été assemblées correctement</li></ol>  | <ol style="list-style-type: none"><li>1. Tendre la chaîne. Voir <i>Réglage de la tension de la chaîne</i> à la page 58</li><li>2. Voir <i>Assemblage de la tronçonneuse</i> à la page 57</li></ol>  |
| La tronçonneuse fume   | Outil endommagé. Ne pas l'utiliser  | Contactez un réparateur agréé   |
| L'huile fuit   | Un suintement d'huile est normal lorsque la tronçonneuse n'est pas utilisée.  | Remarque : Vidanger le réservoir d'huile quand on n'utilise pas l'outil   |

## INFORMATION SUR LA GARANTIE

### TRONÇONNEUSE ÉLECTRIQUE DE MARQUE DE REMINGTON GARANTIES LIMITÉES

#### PRODUITS NEUFS

##### Garantie standard

DESA Power Tools garantit ce produit neuf et toutes les pièces qu'il comprend contre tout défaut de main-d'oeuvre et de matériau pour une durée d'un (1) an à compter de la date d'achat originale auprès d'un détaillant autorisé, à la condition que le produit ait été utilisé et entretenu conformément aux directives et aux mises en garde de DESA Power Tools.

#### PRODUITS REMIS À NEUF À L'USINE

##### Garantie limitée

DESA Power Tools garantit les produits remis à neuf à l'usine et toutes les pièces qu'il comprend contre tout défaut de main-d'oeuvre et de matériau pour une durée de 90 jours à compter de la date d'achat originale auprès d'un détaillant autorisé, à la condition que le produit ait été installé, utilisé et entretenu conformément aux directives et aux mises en garde de DESA Power Tools.

#### MODALITÉS COMMUNES À TOUTES LES GARANTIES

##### **Les modalités qui suivent s'appliquent à toutes les garanties ci-dessus :**

- Spécifier toujours le numéro de modèle lors des communications avec le fabricant. Le reçu de caisse ou une autre preuve d'achat doit être fournie lors d'une réclamation en vertu de la présente garantie.
- Cette garantie est accordée seulement à l'acheteur original, lorsque la tronçonneuse a été achetée auprès d'un détaillant autorisé.
- Cette garantie couvre le coût des pièces nécessaires pour remettre la tronçonneuse en bon état de marche et prévoit une indemnité de main-d'oeuvre lorsque les réparations sont effectuées par un centre de service autorisé de DESA Power Tools. Les pièces sous garantie doivent être achetées chez un détaillant autorisé à vendre le produit ou auprès de DESA Power Tools, qui fournira des pièces de rechange originales de l'usine. Le fait d'utiliser des pièces autres que les pièces de rechange originales de l'usine annule la présente garantie.
- Les frais de déplacement, de manutention, de transport, de diagnostic, de matériau, de main-d'oeuvre et les frais accessoires associés aux réparations effectuées en vertu de la présente garantie ne sont pas remboursables aux fins de cette garantie, à moins d'être expressément indiqués dans la garantie, et doivent donc être assumés par le propriétaire.
- Cette garantie ne couvre pas les produits ni les pièces défectueux ou endommagés par suite d'une utilisation abusive, d'un accident, d'un manque d'entretien, d'une altération ou d'une modification.
- Cette garantie ne couvre pas les produits destinés à un usage commercial, industriel ou pour location.
- La présente constitue la garantie exclusive offerte par DESA Power Tools dans toute la mesure autorisée par les lois en vigueur; cette garantie expresse exclut toute autre garantie, explicite ou implicite, écrite ou verbale, et limite la durée de toute garantie implicite, y compris toute garantie de marchandise ou d'adaptation à un usage en particulier, à un (1) an pour les produits neufs et à quatre-vingt-dix (90) jours pour les produits remis à neuf à l'usine, à compter de la date d'achat originale. DESA Power Tools n'offre aucune autre garantie en ce qui concerne le produit.
- La responsabilité de DESA Power Tools se limite au prix d'achat du produit, et DESA Power Tools ne peut être tenue responsable des dommages de quelque sorte que ce soit, attribuables à quelque circonstance que ce soit, notamment des dommages indirects, accessoires ou consécutifs.
- Certains états ne reconnaissent pas les restrictions relatives à la durée des garanties implicites ni les limites ou exclusions en matière de dommages indirects ou consécutifs; il se peut donc que les limitations et restrictions ci-dessus ne s'applique pas à votre situation.
- Cette garantie vous accorde des droits juridiques particuliers, et il se peut que vous ayez aussi d'autres droits, qui varient d'un état à l'autre.

Pour plus de détails sur cette garantie, communiquez avec :



Bowling Green, KY 42102-9004  
800-626-2237 (English Only)  
www.desatech.com

Model \_\_\_\_\_

Date Purchased \_\_\_\_\_

## DESA

Industries of Canada, Inc.  
82 Akron Road  
Toronto, Ontario  
M8W1T2  
416-255-5333  
Fax: 416-255-5677  
www.desatech.com

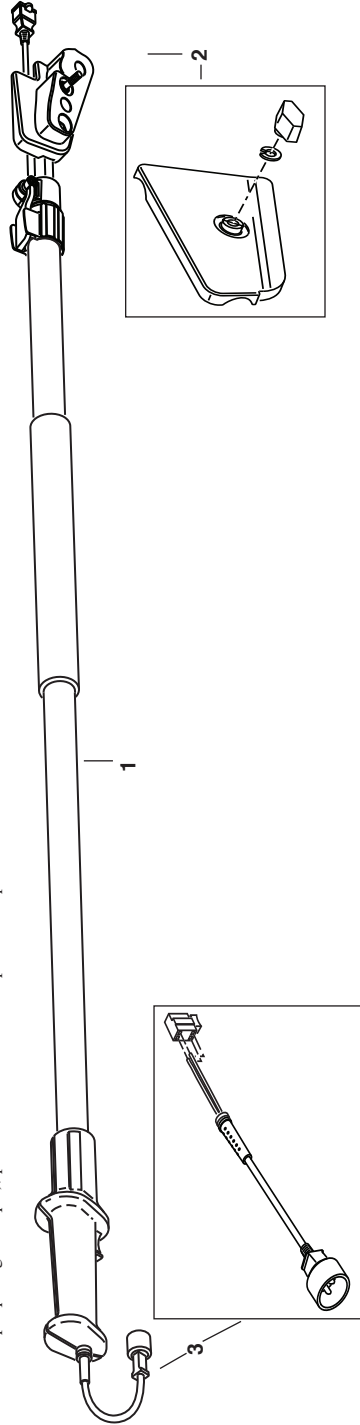
FRANÇAIS

## PARTS LIST / LISTA DE REPUESTOS / LISTE DES PIÈCES

This list contains replaceable parts used in your chainsaw. When ordering parts, be sure to provide the correct model number (from the model plate), then the part number and description of the desired part.

Esta lista contiene partes reemplazables y que se utilizan en su sierra de cadena. Cuando solicite repuestos, asegúrese de facilitar el número correcto del modelo (de la placa del modelo), luego el número de parte y la descripción de la parte deseada.

La présente liste énumère les différentes pièces remplaçables qu'utilise votre scie à chaîne. Pour commander une pièce, ne manquez pas de fournir le bon numéro de modèle de votre scie (que vous trouverez sur sa plaque signalétique), puis le numéro et la description de la pièce désirée.



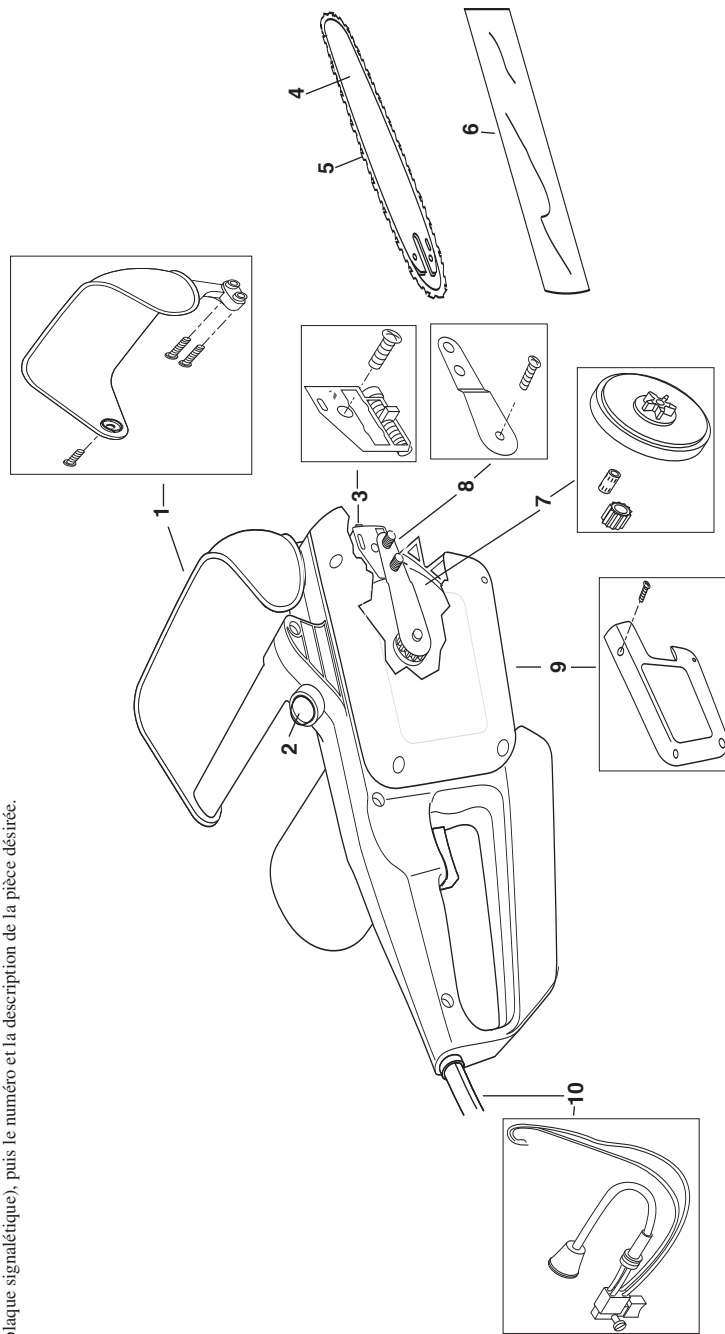
| KEY NO. | PART NO.  | DESCRIPTION   | QTY. |
|---------|-----------|---|------|
| 1       | 111180-01 | Assembly, Pole / Conjunto, Pértiga / Ensemble, tige   | 1    |
| 2       | 111304-01 | Assembly, Pole Bracket (Includes: Pole Bracket, 1/4" Lock Washer, Adjustment Knob)<br>Conjunto, Soporte de Pértiga (Incluye: Soporte de la pértiga, Arandela de seguridad de 1/4 Pulg., Perilla de ajuste)<br>Ensemble, support de tige (Comprend: support de tige, Contre-écrou 1/4 po, Bouton de réglage)<br>(Kit, Lock-off Switch (Includes: Power Cord, Lock-off Switch)<br>Juego, Interruptor Destrabador (Incluye: Cable dealimentación, Bloqueo del Interruptor de Gatillo<br>Trousse Système de Verrouillage de Gâchette (Comprend: Cordon électrique, Trousse, système de berrouillage de gâchette | 1    |
| 3       | 122508-01 |   | 1    |



## PARTS LIST / LISTA DE REPUESTOS / LISTE DES PIÈCES

This list contains replaceable parts used in your chainsaw. When ordering parts, be sure to provide the correct model number (from the model plate), then the part number and description of the desired part.  
Esta lista contiene partes reemplazables y que se utilizan en su sierra de cadena. Cuando solicite repuestos, asegúrese de facilitar el número correcto del modelo (de la placa del modelo), luego el número de parte y la descripción de la parte deseada.

La présente liste énumère les différentes pièces remplaçables qu'utilise votre scie à chaîne. Pour commander une pièce, ne manquez pas de fournir le bon numéro de modèle de votre scie (que vous trouverez sur sa plaque signalétique), puis le numéro et la description de la pièce désirée.



| KEY NO<br>N° DE RENVOI | PART NO.<br>NÚMERO<br>DE PARTE<br>N° DE<br>PIECE | DESCRIPTION/DESCRIPCIÓN/DESCRIPTION   | QTY./CANTIDAD/QTE |         |
|------------------------|--|---|-------------------|---------|
|                        |  |   | 104317            | PS1510A |
| 1                      | 122506-01  | Kit, Hand Guard (Includes: Front Hand Guard, Pan-Head Screw, Hex-Head Bolt, Hex Nuts)<br>Juego, Protector de Manos (Incluye, Protección Frontal de la Mano, Tornillo Cabeza de Casuela, Perno Cabeza Hexagonal.)  | 1                 | 1       |
| 2                      | 107512-01  | Trousse, Garde-Main (comprend: Protège-Main Avant, Vis à tête tronconique, Boulon à tête hexagonale)<br>Assembly, Cap and Bulb<br>Conjunto Tapa y Ampolla<br>Ens bouchon de remplissage/poire de graissage  | 1                 | 1       |
| 3                      | 122507-01  | Kit, Adjusting Plate (Includes: Adjusting Plate, Flat-Head Tap Screw)<br>Juego, Placa de Ajuste (Incluye, Placa de Regulación, Tornillos Auto Roscantes cabeza Plana)   | 1                 | 1       |
| 4                      | 8SB  | Kit, Adjusting Plate (comprend: Plaque d'ajustement, Vis autotarauduese, à tête plate)  | 1                 | 1       |
| 5                      | 10SB   | Bar, Guide 8" / Barra guía de 8 pulgadas / Barre de guidage 8 po  | 1                 | 1       |
| 5                      | 8SC  | Bar, Guide 10" / Barra guía de 10 pulgadas / Barre de guidage 10 po   | 1                 | 1       |
| 5                      | 10SC   | Chain, Saw (8") / Cadena de la sierra (8 pulgadas) / Scie mécanique (8 po)  | 1                 | 1       |
| 6                      | 079963-02  | Chain, Saw (10") / Cadena de la sierra (10 pulgadas) / Scie mécanique (10 po)   | 1                 | 1       |
| 6                      | 079963-02  | Scabbard / Vaina / Fourreau   | 1                 | 1       |
| 7                      | 122511-01  | Kit, Sprocket Gear Kit (Includes: Drive Sprocket, Roller Bearing, Drive Gear)<br>Juego, Engranaje del Piñón (Incluye, Rueda Dentada de Impulso, Rodillos del Piñón, Engranaje Impulsor)   | 1                 | 1       |
| 8                      | 122510-01  | Trousse, Engrenages du Pignon (Incluye, Pignon d'entraînement, Roulement à rouleaux de pignon, Engrenage d'entraînement)<br>Kit, Sprocket Support (Includes: Sprocket Support, Pan-Head Shoulder Screw)<br>Juego, Soporte del Piñón (Incluye, Soporte del Piñón, Tornillo Cabeza de Casuela con Soporte)  | 1                 | 1       |
| 9                      | 122509-01  | Trousse, Support de Pignon (comprend: Support de pignon, Vis à épaulement)<br>Kit, Sprocket Cover (Includes: Sprocket Cover, Pan-Head Tap Screw)  | 1                 | 1       |
| 10                     | 122508-01  | Juego, Cubre-Piñón (Incluye, Tapa del Piñón, Tornillos Auto Roscantes Cabeza Plana)<br>Trousse, Couvercle de Pignon (comprend: Couvercle de pignon, Vis autotarauduese, à tête tronconique)<br>Kit, Lock-off Switch (Includes: Power Cord, Lock-off Switch)<br>Juego, Interruptor Destrabador (Incluye, Cable de alimentación, Interruptor con Bloqueo)<br>Trousse, Système de Verrouillage de Gâchette (comprend: Cordon d'alimentation, Commutateur de verrouillage d'interdiction) | 1                 | 1       |

## PARTS CENTRAL/CENTRAL DE PIEZAS/DÉPÔT DE PIÈCES

### **Ray's Portable Heater Service**

3191 Myers Road  
Camino, CA 95709-9550  
530-644-7716

### **Tool & Equipment**

5 Manila Drive  
Hamden, CT 06514-0322  
203-248-7553  
1-800-397-7553

### **Bernie's Tools & Fasteners**

4211 Highway Avenue  
Jacksonville, FL 32254  
Ph: 904-384-4999

### **Bernie's Tools & Fasteners**

2322 NE Waldo Road  
Gainesville, FL 32609  
Ph: 352-375-1244

### **Grainger Parts Operations**

1657 Shermer Road  
Northbrook, IL 60062-5362  
708-498-5900  
1-800-323-0620  
www.grainger.com

### **Portable Heater Parts**

342 North County Road 400  
East  
Valparaiso, IN 46383-9704  
219-462-7441  
1-800-362-6951  
www.portableheaterparts.com  
sales@portableheaterparts.com  
techservice@portableheaterparts.com

### **FBD**

1349 Adams Street  
Bowling Green, KY 42103-3414  
270-846-1199  
1-800-654-8534  
franktalk@aol.com

### **Lyons & Lyons Sales Co. Inc.**

Glen Arm Road  
Glen Arm, MD 21057-9454  
301-665-6500  
1-800-333-5966  
lyonsco@erols.com

### **Master Part Distributors**

1251 Mound Avenue NW  
Grand Rapids, MI 49504-2672  
616-791-0505  
1-800-446-1446  
www.masterparts.net

### **Hance Distributors, Inc.**

12795 16th Avenue North  
Plymouth, MN 55441-4556  
763-559-2299  
www.hanceco.com

### **Automotive Equipment Service**

3117 Holmes  
Kansas City, MO 64109-1716  
816-531-9144  
1-800-843-3546  
www.aes-lawnparts.com

### **Bowden Electric Motor Service**

1681 S. Wesleyan Blvd.  
Rocky Mount, NC 27803  
252-446-4203

### **East Coast Energy**

10 East Route 36  
West Long Branch, NJ 07764-1501  
1-800-755-8809

### **Forrest Lytle and Sons, Inc.**

740 West Galbraith Road  
Cincinnati, OH 45231-6002  
513-521-1464

### **Bortz Chain Saw Shop**

Road #2, Box 64A  
Oley, PA 19547-9412  
610-987-6452

### **21st Century**

2950 Fretz Valley Road  
Perkasie, PA 18944-4034  
215-795-0400  
1-800-325-4828

### **La Porte's**

2444 N 5th Street  
Hartsville, SC 29550-7704  
843-332-0191

### **MTA Distributors**

555 Hickory Hills Blvd.  
Nashville, TN 37189-9244  
615-299-8777  
1-800-264-0225

### **Webbs Appliance Center**

1519 Church Street  
Nashville, TN 37203-3004  
615-329-4079  
1-800-899-4079

### **Industrial Hardware**

4109 Bainbridge Blvd.  
Chesapeake, VA 23324-1403  
757-543-2232  
1-800-788-0008  
catatem@erols.com

### **Mills Lawn and Garden**

4750-B Baxter Road  
Virginia Beach, VA 23462  
757-490-7001  
www.mills-parts.com

### **Tuco Industrial Products**

5223 180th Street SW  
Suite 4A-1  
Lynnwood, WA 98037-4506  
425-743-9533  
1-800-735-1268  
www.tucoheat.com



121076-01  
REV.A  
11/07



## Free Manuals Download Website

<http://myh66.com>

<http://usermanuals.us>

<http://www.somanuals.com>

<http://www.4manuals.cc>

<http://www.manual-lib.com>

<http://www.404manual.com>

<http://www.luxmanual.com>

<http://aubethermostatmanual.com>

Golf course search by state

<http://golfingnear.com>

Email search by domain

<http://emailbydomain.com>

Auto manuals search

<http://auto.somanuals.com>

TV manuals search

<http://tv.somanuals.com>