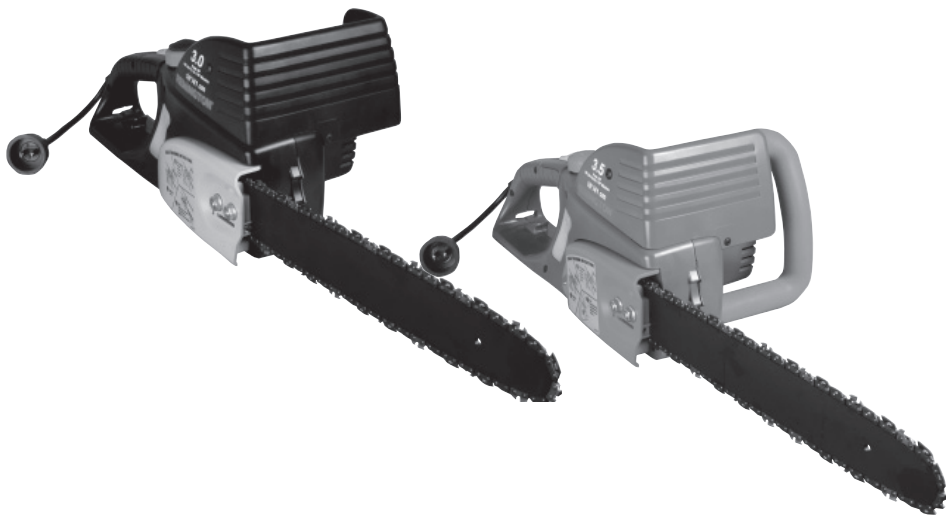


# REMINGTON®

## ELECTRIC CHAIN SAW OWNER'S MANUAL

ENGLISH



MODELS EL-8: 107624-02, 107625-02, 111174-01

**IMPORTANT:** Read and understand this manual before assembling or operating this chain saw. Improper use of saw can cause severe injury. Keep this manual for future reference.



**DO NOT RETURN PRODUCT TO STORE.**

**CALL 1-800-626-2237 FOR TECHNICAL ASSISTANCE**

**For more information, visit [www.remingtonpowertools.com](http://www.remingtonpowertools.com)**

**This manual is your guide to safe and proper operation of the saw.**

**SAVE THESE INSTRUCTIONS.**

**Keep your purchase receipt for warranty coverage.**

**NO DEVUELVA EL PRODUCTO A LA TIENDA**

**Para más información, [www.remingtonpowertools.com](http://www.remingtonpowertools.com)**

**PARA AYUDA TÉCNICA LLAME AL 1-800-626-2237**

**Este manual es su guía para utilizar esta sierra eléctrica de  
manera adecuada y segura.**

**GUARDE ESTAS INSTRUCCIONES.**

**Guarde su recibo de compra para cobertura de la garantía.**

**NE RETOURNEZ PAS LE PRODUIT AU DÉTAILLANT**

**FAITES LE 1 800 626-2237 POUR OBTENIR  
DE L'ASSISTANCE TECHNIQUE**

**Pour plus de détails, visitez le [www.remingtonpowertools.com](http://www.remingtonpowertools.com).**

**C'est un guide pour l'utilisation sécuritaire et correcte de la tronçonneuse.**

**CONSERVER CES DIRECTIVES**

**Conservez votre reçu d'achat pour obtenir le service sous garantie.**

## CONTENTS

<b>IMPORTANT SAFETY INFORMATION</b> .....	<b>4</b>
Before Operating Saw .....	4
While Operating Saw .....	4
Kickback .....	5
Maintenance and Storage of Chain Saw .....	6
<b>UNPACKING</b> .....	<b>6</b>
<b>PRODUCT IDENTIFICATION</b> .....	<b>7</b>
<b>CHAIN SAW NAMES AND TERMS</b> .....	<b>8</b>
<b>ASSEMBLY</b> .....	<b>9</b>
<b>SAW CHAIN TENSION ADJUSTMENT</b> .....	<b>10</b>
<b>OPERATING CHAIN SAW</b> .....	<b>11</b>
Filling Oil Tank .....	11
Oiling Chain .....	11
Extension Cords .....	11
Cutting with the Chain Saw .....	12
Felling a Tree (Cutting Down a Tree) .....	12
Limbing a Tree .....	14
Bucking a Log .....	14
Trimming a Tree (Pruning) .....	15
<b>CLEANING AND MAINTENANCE</b> .....	<b>16</b>
Cleaning Saw Body .....	16
Care of Guide Bar .....	16
Sharpening Saw Chain .....	16
Replacing Saw Chain .....	17
<b>STORAGE</b> .....	<b>18</b>
<b>TECHNICAL SERVICE</b> .....	<b>18</b>
<b>REPLACEMENT PARTS AND ACCESSORIES</b> .....	<b>18</b>
<b>REPAIR SERVICE</b> .....	<b>18</b>
Warranty Service .....	18
Non-Warranty Service .....	18
<b>TROUBLESHOOTING</b> .....	<b>19</b>
<b>WARRANTY INFORMATION</b> .....	<b>20</b>
<b>ILLUSTRATED PARTS BREAKDOWN/</b> .....	<b>63</b>
Models/Modelos/Modèles 107624-02 .....	64
<b>ILLUSTRATED PARTS BREAKDOWN</b> .....	<b>65</b>
Models/Modelos/Modèles 107625-02 & 111174-01 .....	66
<b>PARTS CENTRAL</b> .....	<b>67</b>

ENGLISH

## IMPORTANT SAFETY INFORMATION

**⚠ WARNING:** When using an electric chain saw, basic safety precautions should always be followed to reduce the risk of fire, electric shock, and injury to persons, including the following:

### READ ALL INSTRUCTIONS.

Make sure you read and understand all instructions in *Important Safety Information* on pages 3 through 5. Improper use of this chain saw can cause severe injury or death from fire, electrical shock, body contact with moving chain, or falling wood.

### BEFORE OPERATING SAW

1. Read and understand this owner's manual before operating chain saw.
2. Watch what you are doing. Use common sense. Do not operate saw when you are tired.
3. Use chain saw for cutting wood only. Do not use chain saw for purpose not intended. Do not use for cutting plastic, masonry, etc.
4. Only well-instructed adults should operate chain saw. Never allow children to operate chain saw.
5. Use only electrical voltage noted on model plate of chain saw.
6. Use only extension cords marked for outdoor use. See page 10 for extension cord requirements.
7. Do not operate chain saw
  - while under the influence of alcohol, medication, or drugs
  - in rain or in damp or wet areas
  - where highly flammable liquids or gases are present
  - if saw is damaged, adjusted wrong, or not fully and securely assembled
  - if trigger does not turn saw on and off. Chain must stop moving when you release trigger. Have faulty switch replaced by authorized service center (see *Technical Service*, page 16).
  - while in a hurry
  - while in tree or on a ladder unless trained to do so
8. Wear snug-fitting clothes when operating chain saw. Do not wear loose clothing or jewelry. They can get caught in moving saw chain.
9. Wear the following safety gear when operating chain saw.
  - heavy-duty gloves (wear rubber gloves when working outdoors)
  - steel-toed safety footwear with non-skid soles
  - eye protection such as safety glasses, goggles, or face screen
  - safety hard hat
  - ear mufflers or ear plugs
  - hair covering to contain long hair
  - face or dust mask (if working in dusty areas)

10. Before cutting, always provide the following:
  - clear work area
  - secure footing
  - planned retreat path from falling tree
11. Inspect tree before cutting down. Make sure there are no dead limbs or branches that may fall on you.
12. To reduce the risk of electric shock, this saw has a polarized plug (one blade is wider than the other). This plug will fit in a polarized outlet only one way. If the plug does not fit fully in the outlet of your extension cord, reverse the plug. If it still does not fit, a polarized extension cord will be necessary. Do not change the plug in any way.

### WHILE OPERATING SAW

1. Stay alert. Use common sense while operating chain saw.
2. Keep work area clean. Cluttered areas invite injuries.
3. Be aware of extension cord while operating chain saw. Be careful not to trip over cord. Keep cord away from chain and operator at all times.
4. Keep children, animals, and bystanders away from chain saw and extension cord. Only chain saw user should be in work area.
5. Do not cut down a tree unless you are trained or have expert help.
6. If two or more persons perform bucking and felling operations at the same time, provide plenty of distance between operations. Provide distance of at least twice the height of tree being felled.
7. Secure wood you are cutting by using clamps or chocks.
8. Grip chain saw firmly with both hands. Never operate chain saw with one hand. Never use hand guard as handle.
9. Keep finger off trigger until ready to make cut.
10. Before starting chain saw, make sure chain is not touching anything.
11. To guard against electrical shock, avoid body contact with grounded objects such as pipes, fences, and metal posts.
12. Keep all parts of body away from chain when saw is running.
13. Do not force chain saw while cutting. Apply light pressure. It will do the job better and safer at the rate for which it was intended.

## IMPORTANT SAFETY INFORMATION

14. Cut small brush and saplings with extreme care. Slender material may catch in chain and be whipped toward you. This could also pull you off balance.
15. When cutting limb or tree trunk that is under tension, use extreme caution. Be alert for wood springing back. When wood tension is released, limb could spring back and strike operator causing severe injury or death.
16. Carry chain saw from one place to another
  - with saw stopped and unplugged
  - by holding front handle (never use hand guard as handle)
  - with finger off trigger
  - with guide bar and chain to rear

**⚠ WARNING: This product contains chemicals known to the State of California to cause cancer or birth defects, or other reproductive harm.**

**⚠ WARNING: Some dust created by power sanding, sawing, grinding, drilling, and other construction activities contains chemicals known (to the state of California) to cause cancer, birth defects, or other reproductive harm. Some examples of these chemicals are:**

- lead from lead-based paints
- crystalline silica from bricks and cement and other masonry products
- arsenic and chromium from chemically-treated lumber

**Your risk from these exposures varies, depending on how often you do this type of work. To reduce your exposure to these chemicals: work in a well ventilated area, and work with approved safety equipment, such as those dust masks that are specially designed to filter out microscopic particles.**

### KICKBACK

**⚠ WARNING: Kickback may occur when the nose or tip of the guide bar touches an object, or when the wood closes in and pinches the saw chain in the cut. Tip contact in some cases may cause a lightning fast reverse reaction, kicking the guide bar up and back towards the operator. Pinching the saw chain along the top of the guide bar may push the guide bar rapidly back towards the operator. Either of these reactions may cause you to lose control of the saw which could result in serious injury to user.**

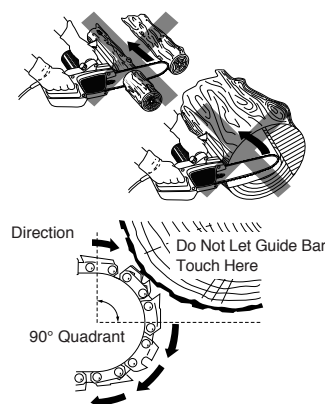
### Kickback Safety Devices On This Saw

This saw has a low-kickback chain and reduced kickback guide bar. Both items reduce the chance of kickback. Kickback can still occur with this saw.

Follow assembly instructions on page 9. Do not remove front hand guard. Do not replace front hand guard with substitute.

The following steps will reduce the risk of kickback.

- Use both hands to grip saw while saw is running. Use firm grip. Thumbs and fingers must wrap around saw handles.
- Keep all safety items in place on saw. Make sure they work properly.
- Do not overreach or cut above shoulder height.
- Keep solid footing and balance at all times.
- Stand slightly to left side of saw. This keeps your body from being in direct line with chain.
- Do not let guide bar nose touch anything when chain is moving (see Figure 1).



**Figure 1 - Kickback Hazard Example: Do Not Let Nose of Guide Bar Touch Object While Chain is Moving**

ENGLISH

## IMPORTANT SAFETY INFORMATION

---

- Never try cutting through two logs at same time. Only cut one log at a time.
- Do not bury guide bar nose or try plunge cut (boring into wood using guide bar nose).
- Watch for shifting of wood or other forces that may pinch chain.
- Use extreme caution when reentering a previous cut.
- Use low-kickback chain and guide bar supplied with this chain saw. Only replace these parts with chains and guide bars listed in this manual.
- Never use dull or loose chain. Keep chain sharp with proper tension.
- Inspect extension cords often and replace if damaged.
- 4. When servicing, use only identical replacement parts.
- 5. When not in use, always store chain saw
  - drain oil after each use and before storing saw to prevent oil leakage.
  - in a high or locked place, out of children's reach
  - in a dry place
  - in a carrying case or with scabbard over guide bar

### Saw Maintenance and Kickback Safety

Follow maintenance instructions in this manual. Proper cleaning of saw and chain and guide bar maintenance can reduce chances of kickback. Inspect and maintain saw after each use. This will increase the service life of your saw. **Note:** Even with proper sharpening, risk of kickback can increase with each sharpening.

### MAINTENANCE AND STORAGE OF CHAIN SAW

1. Unplug chain saw from power source
  - when not in use
  - before moving from one place to another
  - before servicing
  - before changing accessories or attachments, such as saw chain and guard
2. Inspect chain saw before and after each use. Check saw closely if guard or other part has been damaged. Check for any damage that may affect operator safety or operation of saw. Check for alignment or binding of moving parts. Check for broken or damaged parts. Do not use chain saw if damage affects safety or operation. Have damage repaired by authorized service center.
3. Maintain chain saw with care.
  - Never expose saw to rain.
  - Keep chain sharp, clean, and lubricated for better and safer performance.
  - Follow steps outlined in this manual to sharpen chain.
  - Keep handles dry, clean, and free of oil and grease.
  - Keep all screws and nuts tight.
  - Inspect power cord often. If damaged, have repaired by authorized service center.
  - Never carry chain saw by power cord.
  - Never yank power cord to unplug it.
  - Keep power cord from heat, oil, and sharp edges.

### UNPACKING

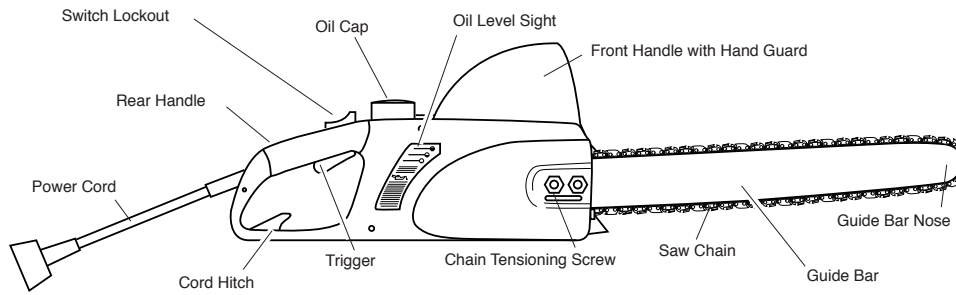
1. Remove all items from carton.
2. Check all items for any shipping damage. If you find any damage or if any parts are missing, call Technical Services at 1-800-626-2237 for prompt service.

## SAVE THESE INSTRUCTIONS

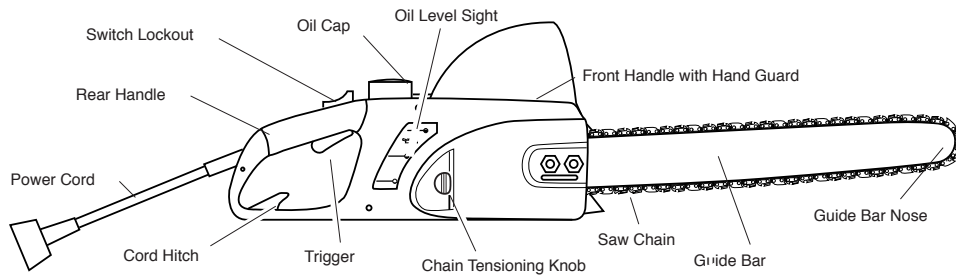
## PRODUCT IDENTIFICATION

---

ENGLISH



**Figure 2 - Chain Saw Model 107624-02**



**Figure 3 - Chain Saw Model 107625-02, 111174-01**

## CHAIN SAW NAMES AND TERMS

---

- Bucking** Process of cutting a felled tree or log into lengths.
- Chock** Block or wedge used to secure wood from moving.
- Felling** Process of cutting down a tree.
- Felling Cut** Final cut when felling a tree. Make this cut on opposite side of tree from notching cut.
- Front Handle** Located at front of saw body.
- Front Hand Guard** Shield between front handle and guide bar. Protects left hand while using saw.
- Guide Bar** Metal bar that extends from saw body. The guide bar supports and guides chain.
- Guide Bar Nose** Tip or end of guide bar.
- Kickback** Quick backward and upward motion of guide bar. Kickback may occur when tip of guide bar touches an object while chain is moving. The guide bar will kick up and back towards operator.
- Limbing** Process of cutting limb(s) from a felled tree.
- Low-Kickback Chain** Chain that reduces chance of kickback as required by ANSI B175.1.
- Normal Cutting Position** Stance used while making bucking and felling cuts.
- Notching Cut** Notch cut in tree that directs fall of tree.
- Oiler Control** System for oiling guide bar and chain.
- Power Head** Chain saw without chain and guide bar. Also known as saw body.
- Pushback (Kickback, Pinch)** Rapid pushback of chain saw. Pushback may occur if chain along top of guide bar is pinched, caught, or contacts a foreign object.
- Rear Handle** Handle located at rear of saw body.
- Reduced Kickback Guide Bar** Guide bar that reduces chance of kickback.
- Replacement Chain** Chain that complies with ANSI B175.1 when used with a specific saw. It may not meet ANSI requirements when used with other saws.
- Saw Chain (Chain)** Loop of chain having cutting teeth for cutting wood. The motor drives chain. The guide bar supports chain.
- Spiked Bumper (Spike)** Pointed teeth at front of saw body beside guide bar. Keep spiked bumper in contact with wood when felling or bucking. It helps maintain position of saw while cutting.
- Sprocket** Toothed wheel that drives chain.
- Switch** Device that completes or interrupts electrical circuit to motor of saw.
- Switch Linkage** This device connects switch to trigger. It moves switch when you squeeze trigger.
- Switch Lockout** Device that reduces accidental starting of saw.
- Trigger** Device that turns saw on and off. Squeezing trigger turns saw on. Releasing trigger turns saw off.
- Trimming (Pruning)** Process of cutting limb(s) from a living tree.
- Undercut** An upward cut from underside of log or limb. This is done while in normal cutting position and cutting with top of guide bar.



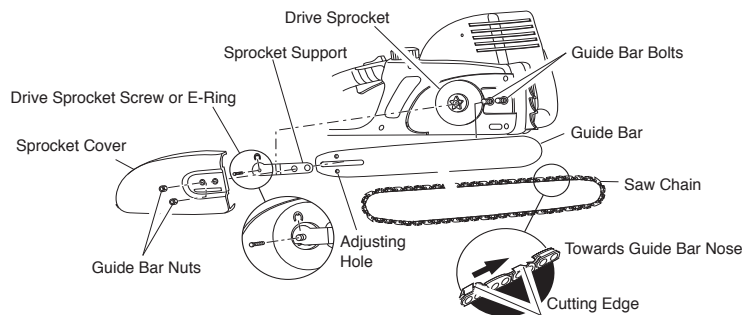
## ASSEMBLY

**Note:** Some models are pre-assembled. Assembly is not needed on these models. See *Saw Chain Tension Adjustment*.

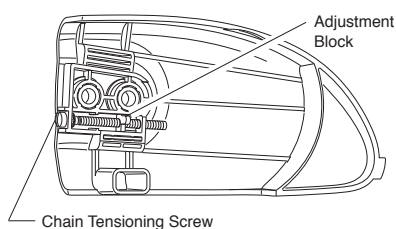
**WARNING:** Cutting edges on chain are sharp. Use protective gloves when handling chain.

**IMPORTANT:** Do not clamp chain saw in vise during assembly.

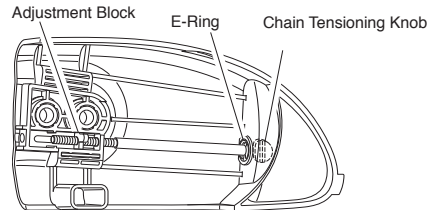
1. Lay chain out flat.
2. Loosen and remove guide bar nuts and sprocket cover.
3. Loosen and remove drive sprocket screw or remove E-ring from shaft (see Figure 4). Remove sprocket support.
4. Install guide bar onto saw body. Assemble center slot of guide bar onto guide bar bolts.
5. To replace sprocket support, repeat step 3 in reverse order. Firmly tighten drive sprocket screw with #2 Phillips screwdriver (if applicable).
6. Place chain around drive sprocket, along top groove of guide bar, and around guide bar nose. **Note:** Make sure cutting edges of chain are facing in right direction. Position chain so cutting edges on top of guide bar face guide bar nose (see Figure 4, and indicator on side cover of saw).
7. Insert tab of sprocket cover into slot on side cover and rotate sprocket cover onto guide bar bolts until sprocket cover rests against guide bar.
8. Place guide bar nuts, removed in step 2, over guide bar bolts. **IMPORTANT:** Tighten guide bar nuts finger tight only.
9. Turning chain tensioning knob (Model 107625-02, 111174-01) or chain tensioning screw (Model 107624-02), adjust position of adjustment block until it is aligned and inserted into the round adjusting hole on guide bar (see Figure 4, 5 and 6). Turning chain tensioning knob or chain tensioning screw counterclockwise will move adjustment block to rear of guide bar. Turning chain tensioning knob or chain tensioning screw clockwise will move adjustment block to front of guide bar.
10. If needed, readjust guide bar nuts to finger tight only.
11. Adjust saw chain tension. Follow steps under *Saw Chain Tension Adjustment*.



**Figure 4 - Assembling Guide Bar and Chain**



**Figure 5 - Turn Chain Tensioning Screw on Model 107624-02**



**Figure 6 - Turn Chain Tensioning Knob on Model 107625-02, 111174-01**

## SAW CHAIN TENSION ADJUSTMENT

**⚠ WARNING:** Unplug chain saw from power source before adjusting saw chain tension.

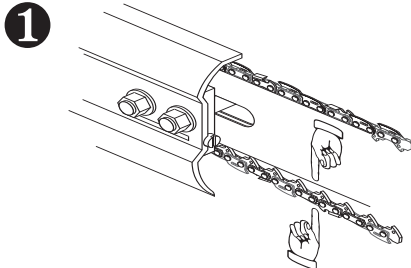
**⚠ WARNING:** Cutting edges on chain are sharp. Use protective gloves when handling chain.

**⚠ WARNING:** Maintain proper chain tension always. A loose chain will increase the risk of kickback. A loose chain may jump out of guide bar groove. This may injure operator and damage chain. A loose chain will cause chain, guide bar, and sprocket to wear rapidly.

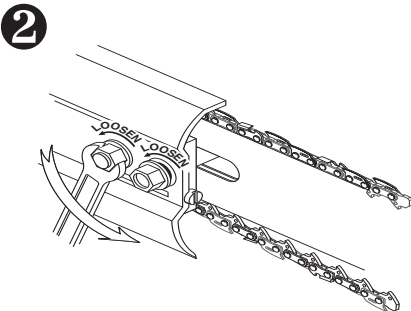
### IMPORTANT!

Failure to follow these instructions when tensioning saw chain will damage saw and void the warranty. For additional information call 1-800-626-2237.

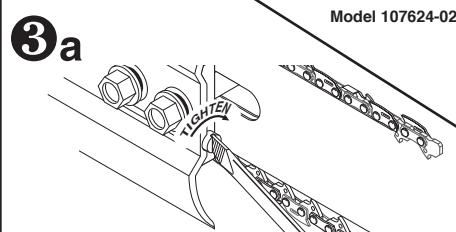
New saw chains will stretch. Check chain tension frequently when first used and tighten when chain becomes loose around guide bar.



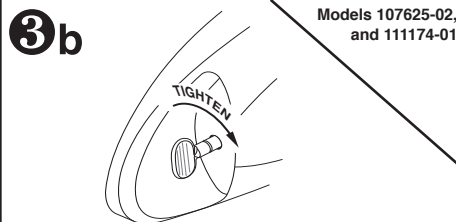
**1** If chain becomes loose around guide bar, allow chain to cool then...



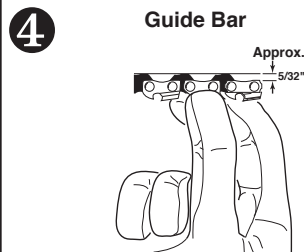
**2** Loosen both nuts...



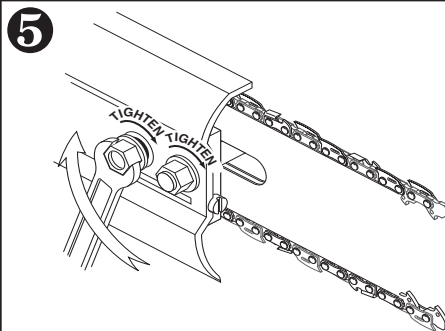
**3a** Turn chain tensioning screw clockwise to tension saw chain or...



**3b** Turn chain tensioning knob clockwise to tension saw chain...



**4** Pull chain to check tension. Guide links should not come out of guide bar groove...



**5** Make sure chain moves freely around guide bar then tighten both nuts.

## OPERATING CHAIN SAW

**⚠ WARNING:** Read and understand this owner's manual before operating this saw. Make certain you read and understand all **Important Safety Information**. Improper use of this chain saw can cause severe injury or death from fire, electrical shock, or body contact with moving chain, or falling wood.

### FILLING OIL TANK

1. Remove oil cap.
2. Fill oil tank with SAE #30 motor oil. **Note:** For temperatures below 30°F, use SAE #10 oil. For temperatures above 75°F, use SAE #40 oil.
3. Replace oil cap at once. Tighten oil cap firmly for good seal. This will avoid oil seepage from tank.
4. Wipe off excess oil.

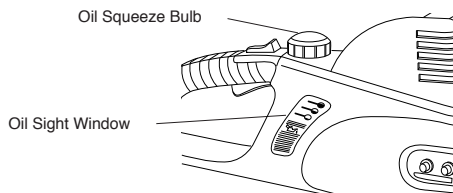
**Note:** It is normal for oil to seep when saw is not in use. Empty oil tank after each use to prevent seepage.

**IMPORTANT: DO NOT USE BAR AND CHAIN OIL**

### OILING CHAIN

#### Manual Oil System

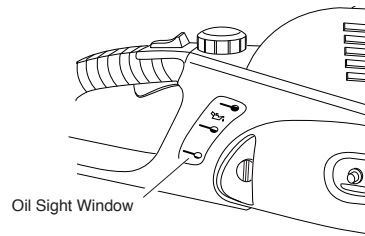
Always check oil level before using saw. Do not attempt to operate the oil system while saw is in operation. To oil chain, press squeeze bulb. Oil will feed onto the guide bar and chain. Press squeeze bulb at least once before each cut. Check oil level often by looking at oil sight window (see Figure 7).



**Figure 7 - Oil Squeeze Bulb and Oil Sight Window Location for Model 107624-02**

#### Automatic Oil System

Chain saw Model 107625-02, 111174-01 is equipped with an automatic oiling system. It will provide adequate lubrication to the guide bar and saw chain. Check oil level every 15 minutes of cutting time. Oil level can be seen in oil sight window (see Figure 8).



**Figure 8 - Oil Sight Window Location for Model 107625-02, 111174-01**

ENGLISH

### EXTENSION CORDS

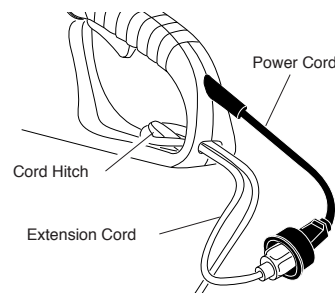
Use proper extension cords with this saw. Use only extension cords marked for outdoor use. The cord must be marked with suffix W or W-A following the cord type designation. **Example:** SJTW-A or SJTW.

Use proper sized cord with this saw. Cord must be heavy enough to carry current needed. An undersized cord will cause voltage drop at saw. Saw will lose power and overheat. Follow cord size requirements listed below.

Cord Length	AWG Cord Size
25 feet	16 AWG
50 feet	16 AWG
100 feet	14 AWG
150 feet	12 AWG

Keep cord away from cutting area. Make sure cord does not catch on branches or logs during cutting. Inspect cords often. Replace damaged cords.

This chain saw is designed with an extension cord hitch that prevents the extension cord from being pulled loose during use. To use, form a loop with the end of the extension cord, insert loop into slot in rear of handle, and place loop over cord hitch (see Figure 9). Gently pull loop against cord hitch until slack is removed. Plug extension cord into chain saw cord.

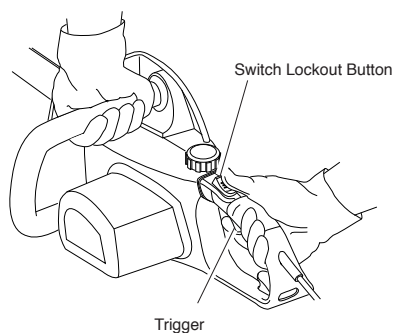


**Figure 9 - Looping Extension Cord over Cord Hitch**

## OPERATING CHAIN SAW

### CUTTING WITH THE CHAIN SAW

1. Connect saw to extension cord. Connect extension cord to power supply.
2. Make sure section of log to be cut is not laying on ground. This will keep chain from touching ground as it cuts through log. Touching ground with moving chain will dull chain.
3. Use both hands to grip saw. Always use left hand to grip front handle and right hand to grip rear handle. Use firm grip. Thumbs and fingers must wrap around saw handles (see Figure 10).
4. Make sure your footing is firm. Keep feet apart. Divide your weight evenly on both feet.
5. When ready to make a cut, push the lockout button completely forward with the right thumb and squeeze the trigger (see Figure 10). This will turn saw on. Releasing trigger will turn saw off. Make sure saw is running at full speed before starting a cut.
6. When starting a cut, place moving chain against wood. Hold saw firmly in place to avoid possible bouncing or skating (sideways movement) of saw.
7. Guide saw using light pressure. Do not force saw. The motor will overload and can burn out. It will do the job better and safer at the rate for which it was intended.
8. Remove saw from a cut with saw running at full speed. Stop saw by releasing trigger. Make sure chain has stopped before setting saw down.
9. Practice until you can maintain a steady, even cutting rate.



**Figure 10 - Lockout Button and Trigger Location**

### FELLING A TREE (Cutting Down a Tree)

#### **⚠ WARNING:**

- Avoid kickback. Kickback can result in severe injury or death. See *Kickback* to avoid risk of kickback.
- Do not fell a tree without ample skill or expert help.
- Keep children, animals, and bystanders away from area when felling a tree.
- If two or more persons perform bucking and felling operations at the same time, provide ample distance between operations. Provide distance of at least twice the height of tree being felled.

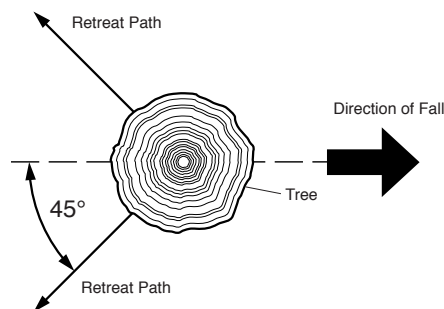
#### **⚠ WARNING:**

When felling a tree, be aware of your surroundings. Do not endanger any person, strike utility lines, or cause property damage. If tree strikes utility lines, contact utility company at once.

Felling is the process of cutting down a tree. Make sure your footing is firm. Keep feet apart. Divide your weight evenly on both feet. Follow directions below to fell a tree.

#### **Before Felling a Tree**

1. Before felling, inspect tree. Make sure there are no dead limbs or branches that may fall on you. Study natural lean of tree, location of larger branches, and wind direction. This will help you judge which way tree will fall.
2. Clear work area around tree.
3. Plan and clear a retreat path before felling. Make retreat path opposite to planned direction of fall of tree and at 45° angle (see Figure 11).



**Figure 11 - Retreat Path From Tree**

## OPERATING CHAIN SAW

4. Remove dirt, stones, loose bark, nails, staples, and wire from tree where you will make felling cuts.
5. Stay on uphill side when felling tree. Tree could roll or slide downhill after falling.

### Felling Procedure

#### A) Felling Notch

A properly placed felling notch will determine direction tree will fall. Place felling notch on side of tree in direction you want tree to fall (see Figure 12). Follow directions below to create a felling notch.

1. Make lower notch cut as close to ground as possible. Hold saw so guide bar is horizontal. Cut 1/3 the diameter of tree trunk (see Figure 12). **Note:** Always make this horizontal lower notch cut first. If you make this cut second, tree can pinch chain or guide bar.
2. Start upper notch cut the same distance above first cut as first cut is deep.  
**Example:** If lower notch cut is eight inches deep, start upper notch cut eight inches above it. Cut downward at 45° angle. The upper notch cut should meet end of lower notch cut (see Figure 12).
3. Remove tree trunk wedge created by notching cuts.

#### B) Felling Cut

1. Make felling cut two inches higher than lower notch cut and on opposite side of tree (see Figure 12). Keep felling cut parallel to lower notch cut.

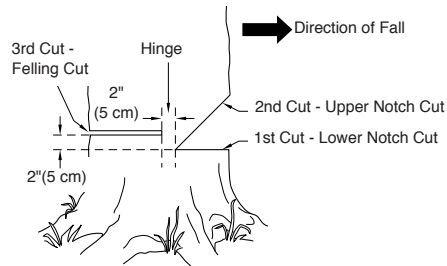


Figure 12 - Felling A Tree

2. Cut towards notch.
3. As felling cut nears hinge, tree should begin to fall.  
**Note:** If needed, drive wedges into felling cut to control direction of fall. If tree settles back and pinches chain, drive wedges into felling cut to remove saw. Only use wedges made of wood, plastic, or aluminum. Never use wedge made of steel. This could cause kickback and damage to chain.
4. When tree begins to fall, quickly
  - remove saw from felling cut
  - release trigger to turn saw off
  - put saw down
  - exit area using retreat path

**WARNING:** Do not cut all the way through tree. Leave about two inches of tree diameter uncut directly behind felling notch (see Figure 12). This uncut portion acts as a hinge. The hinge helps keep tree from twisting and falling in wrong direction.

ENGLISH

## OPERATING CHAIN SAW

**⚠ WARNING:** Be alert for falling overhead limbs. Watch your footing while exiting area.

### LIMBING A TREE

**⚠ WARNING:** Avoid kickback. Kickback can result in severe injury or death. See *Kickback* to avoid risk of kickback.

**⚠ WARNING:** When cutting limb that is under tension, use extreme caution. Be alert for wood springing back. When wood tension is released, limb could spring back and strike operator causing severe injury or death.

Limbing is removing branches from a fallen tree. Make sure your footing is firm. Keep feet apart. Divide your weight evenly on both feet. Do not remove larger limbs under tree that support log off ground. Remove each limb with one cut (see Figure 13). Clear cut limbs from work area often. This will help maintain a safe work area.

Make sure you start your cut where limb will not pinch saw during cutting. To avoid pinching, start cut on freely hanging limbs from above limb. Start cut on limbs under tension from under limb. If pinch occurs, turn saw off, lift limb, and remove saw.

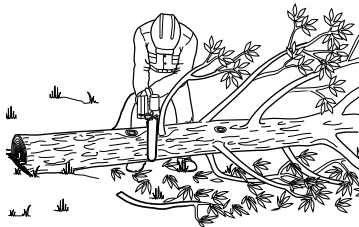


Figure 13 - Limbing A Tree

### BUCKING A LOG

**⚠ WARNING:** Avoid kickback. Kickback can result in severe injury or death. See *Kickback* to avoid risk of kickback.

**⚠ WARNING:**

- If on slope, make sure log will not roll down hill. Secure log by using wooden stakes. Drive wooden stakes into ground on downhill side of log. Stand on uphill side of log while cutting. Log may roll after cutting.
- Never try cutting through two logs at same time. This could increase the risk of kickback.
- While cutting log, never hold log with your hand, leg, or foot.
- While cutting log, never allow another person to hold log.
- Turn off and unplug saw before moving from one place to another.

Bucking a log is cutting a log into sections. Make sure your footing is firm. Keep feet apart. Divide your weight evenly on both feet. When possible, raise log or section off ground. Do this by using limbs, logs, chocks, etc.

When cutting through log, maintain control by reducing cutting pressure near end of cut. Do not relax your grip on chain saw handles. Do not let moving chain touch ground. Ground will dull moving chain. After cutting through log, release trigger to turn saw off before moving saw.

Follow directions below to buck a log.

#### Entire Length Of Log On Ground

Cut log from top (see Figure 14).

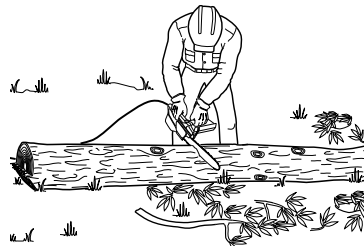


Figure 14 - Bucking Log With Entire Length On Ground

## OPERATING CHAIN SAW

### Log Supported On One End

1. Make first cut on underside of log (see Figure 15). Use top of guide bar to make this cut. Cut 1/3 through diameter of log. This cut will keep section from splintering when cut.
2. Make second cut directly above first cut. Cut down to meet first cut. This cut will keep log from pinching guide bar and chain.

### Log Supported On Both Ends

1. Make first cut from above log (see Figure 16). Cut 1/3 through diameter of log. This cut will keep section from splintering when cut.
2. Make second cut on underside of log, directly under first cut. Use top of guide bar to make this cut. Cut up to meet first cut. This will keep log from pinching guide bar and chain.

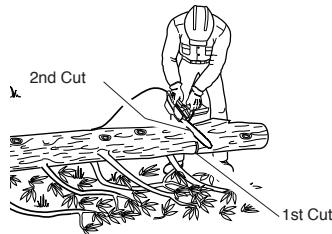


Figure 15 - Bucking Log When Log Is Supported On One End

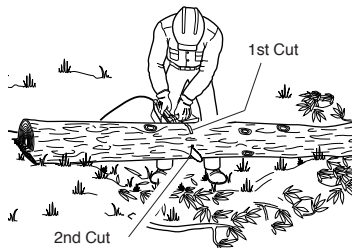


Figure 16 - Bucking Log When Log Is Supported On Both Ends

### TRIMMING A TREE (Pruning)

**⚠ WARNING: Avoid kickback. Kickback can result in severe injury or death. See Kickback to avoid risk of kickback.**

**⚠ WARNING: Do not operate chain saw while**

- in a tree
- on a ladder or any other unstable surface
- in any awkward position

**You may lose control of saw causing severe injury.**

**⚠ WARNING: Do not cut limbs higher than your shoulders.**

**⚠ CAUTION: Seek professional help if facing conditions beyond your ability.**

Trimming a tree is the process of cutting limbs from a living tree. Make sure your footing is firm. Keep feet apart. Divide your weight evenly on both feet. Follow directions below to trim a tree.

1. Make first cut six inches from tree trunk on underside of limb. Use top of guide bar to make this cut. Cut 1/3 through diameter of limb (see Figure 17).
2. Move two to four inches farther out on limb. Make second cut from above limb. Continue cut until you cut limb off.
3. Make third cut as close to tree trunk as possible on underside of limb stub. Use top of guide bar to make this cut. Cut 1/3 through diameter of stub.
4. Make fourth cut directly above third cut. Cut down to meet third cut. This will remove limb stub.

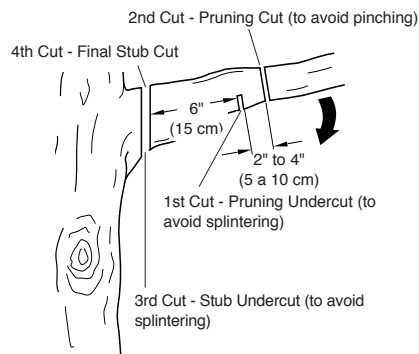


Figure 17 - Cutting A Limb

ENGLISH

## CLEANING AND MAINTENANCE

**NOTICE:** Below are instructions for servicing your chain saw. Any servicing not mentioned below should be done by an authorized service center.

### CLEANING SAW BODY

**⚠ WARNING:** Unplug chain saw from power source before servicing. Severe injury or death could occur from electrical shock or body contact with moving chain.

**⚠ WARNING:** Cutting edges on chain are sharp. Use protective gloves when handling chain.

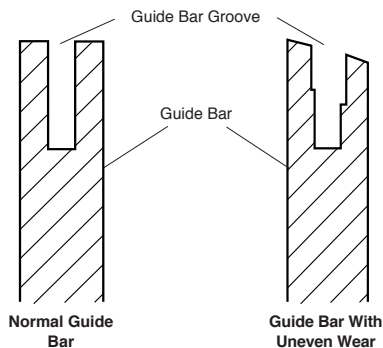
**⚠ WARNING:** When cleaning saw body, do not submerge saw in any liquids do not use products that contain ammonia, chlorine, or abrasives do not use chlorinated cleaning solvents, carbon tetrachloride, kerosene, or gasoline

Keep saw body clean. Use a soft cloth dampened with a mild soap and water mixture. Wipe saw body to clean.

### CARE OF GUIDE BAR

Uneven bar wear causes most guide bar problems. Incorrect sharpening of chain cutter and depth gauge settings often cause this. When bar wears unevenly, it widens guide bar groove (see Figure 18). This causes chain clatter and rivet popping. Saw will not cut straight. Replace guide bar if this occurs.

Inspect guide bar before sharpening chain. A worn or damaged guide bar is unsafe. A worn or damaged guide bar will damage chain. It will also make cutting harder.



**Figure 18 - Guide Bar Cross Section Showing Uneven Bar Wear**

### Normal Guide Bar Maintenance

1. Remove guide bar from chain saw.
2. Remove sawdust from guide bar groove periodically. Use putty knife or wire (see Figure 19).
3. Clean oil slots after each day of use.
4. Remove burrs from sides of guide bar. Use flat file to make side edges square.

Replace guide bar when

- bar is bent or cracked
- inside groove of bar is badly worn

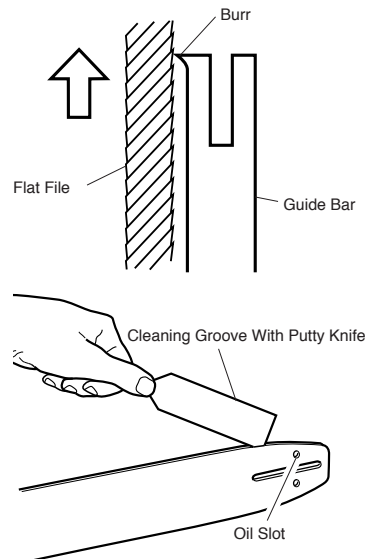
**Note:** When replacing guide bar, see *Replacement Parts and Accessories* for proper bar.

### SHARPENING SAW CHAIN

**⚠ WARNING:** Unplug chain saw from power source before servicing. Severe injury or death could occur from electrical shock or body contact with moving chain.

**⚠ WARNING:** Cutting edges on chain are sharp. Use protective gloves when handling chain.

Keep chain sharp. Your saw will cut faster and more safely. A dull chain will cause undue sprocket, guide bar, chain, and motor wear. If you must force chain into wood and cutting creates only sawdust with few large chips, chain is dull.



**Figure 19 - Guide Bar Maintenance**



## CLEANING AND MAINTENANCE

### Continued

#### Items Needed to Sharpen Chain

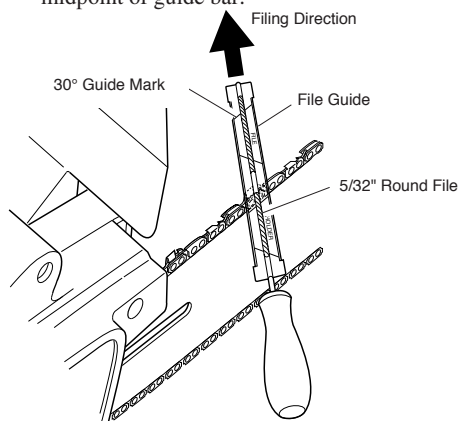
Purchase these items from your local dealer, hardware store, or chain saw supplies outlet.

- 5/32" round file
- Depth gauge tool
- File guide
- Vise
- Medium sized flat file

#### Sharpening Cutters

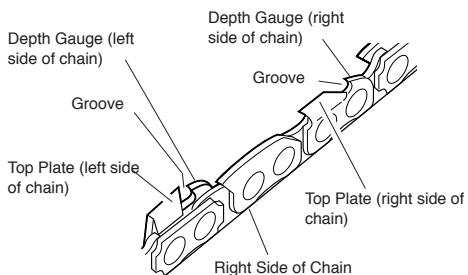
Use file guide for 30° filing.

1. Adjust chain for proper tension (see *Saw Chain Tension Adjustment*).
2. Clamp guide bar in vise to hold saw steady. **Note:** Do not clamp chain.
3. Press 5/32" round file (attached to file guide) into groove between top plate and depth gauge on chain. File guide should rest on both top plate and depth gauge (see Figure 20). **Note:** File at midpoint of guide bar.



**Note:** This illustration shows file guide placement and filing direction for sharpening cutters on left side of chain.

**Figure 20 - File and File Guide Placement On Chain**



**Figure 21 - Chain Part Locations**

4. Hold file guide level. Make sure 30° mark on file guide is parallel to center of guide bar (see Figure 20). This will insure that you file cutters at 30° angle.
5. File from inside towards outside of cutter until sharp. **Only** file in this one direction (see Figure 20). **Note:** Two or three strokes with file should sharpen cutter.
6. After each cutter is sharpened, move chain forward to sharpen next cutter. File all cutters on one side of chain.
7. Move to other side of chain and repeat process.

#### Filing Cutter Depth Gauges

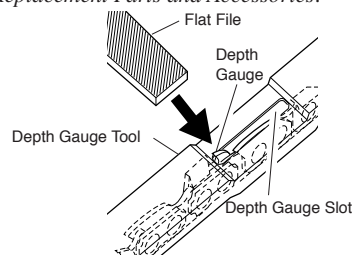
The cutter depth gauge clearance is reduced as cutters are sharpened. After every second or third sharpening, reset cutter depth gauges.

1. Place depth gauge tool (.025") firmly across top of two cutters. Make sure depth gauge enters slot in depth gauge tool (see Figure 22).
2. Use medium flat file. File depth gauge level with depth gauge tool.
3. Remove depth gauge tool. With flat file, round off front corner of cutter depth gauge (see Figure 23).

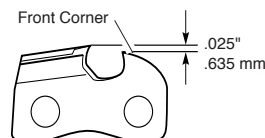
After several hand filings, have authorized service center or sharpening service machine sharpen chain. This will insure even filing.

#### REPLACING SAW CHAIN

Replace chain when cutters are too worn to sharpen or when chain breaks. Only use replacement chain noted in this manual. Always include new drive sprocket when replacing chain. This will maintain proper driving of chain. **Note:** For proper chain and drive sprocket, see *Replacement Parts and Accessories*.



**Figure 22 - Depth Gauge Tool On Chain**



**Figure 23 - Round Off Front Corner Of Depth Gauge**

ENGLISH

## REPLACEMENT CHAINS

Replacement saw chains may be available at your local hardware or home improvement store.

The following list gives the specifications for replacement chains.

All chains will be .050 gauge, 3/8 pitch.

14" chains have 56 drive links

16" chains have 58 drive links

You may also order the replacement saw chains from the "Online Outlet" at [www.remingtonpowertools.com](http://www.remingtonpowertools.com) using the part number listed in the illustrated parts list on pages 63-66 of this manual.

## STORAGE

If storing saw for more than 30 days, follow steps below.

1. Drain oil tank after each use.
2. Remove and clean guide bar and chain. Clean guide bar and chain by soaking in petroleum based solvent or mild soap and water mixture.
3. Dry guide bar and chain.
4. Place chain in container filled with oil. This will prevent rust.
5. Wipe a thin coating of oil over surface of guide bar.
6. Wipe off outside of saw body. Do this with soft cloth dampened with a mild soap and water mixture.
7. Store chain saw
  - in a high or locked place, out of children's reach
  - in a dry place
  - in a carrying case or with scabbard over guide bar

## TECHNICAL SERVICE

You may have further questions about assembling, operating, or maintaining this product. If so, you can visit our Technical Service web site at [www.remingtonpowertools.com](http://www.remingtonpowertools.com) or contact our Technical Service Department at 1-800-626-2237 (English Only). You may also write to:

DESA Power Tools

ATTN: Technical Service

P.O. Box 90004


Bowling Green, KY 42102-9004

When contacting DESA Power Tools, have ready

- Your Name
- Your Address
- Your Phone Number
- Model Number of Product
- Date of Purchase (Include copy of receipt for written requests).

We reserve the right to amend these specifications at any time without notice. The only warranty applicable is our standard written warranty. We make no other warranty expressed or implied.

## REPLACEMENT PARTS AND ACCESSORIES

 **WARNING: Use only replacement parts and accessories described in this manual. Use of other parts or accessories could damage saw or injure operator.**

For original replacement parts and accessories, contact your nearest Authorized Dealer or Authorized Service Center for this product. If they can not supply the part or accessory, contact your nearest Parts Central listed on page 67. Each Authorized Dealer, Authorized Service Center, and Parts Central is independently owned and operated.

See pages 63 through 66 for an Illustrated Parts List.

If you need additional referral information, contact our Technical Service Department (see *Technical Service*). In Canada call 1-800-561-3372 for parts information.

## REPAIR SERVICE

**Note:** Only use original replacement parts. This will protect your warranty coverage for parts replaced under warranty.

Each Authorized Service Center is independently owned and operated.

## Warranty Service

If product requires warranty service, return it to nearest Authorized Service Center. You must show proof of purchase. If faulty materials or workmanship caused damage, we will repair or replace product without charge. **Note:** Normal wear, misuse, abuse, neglect, or accidental damage is not covered under warranty.

## Non-Warranty Service

If product requires service, return it to nearest Authorized Service Center. Repairs will be billed to you at regular repair list prices.

For additional Service Center or warranty information, call 1-800-626-2237 or visit our Technical Service web site at [www.remingtonpowertools.com](http://www.remingtonpowertools.com).

## TROUBLESHOOTING

**Note:** For additional help, visit DESA Power Tools technical service web site at [www.remingtonpowertools.com](http://www.remingtonpowertools.com).

**⚠ WARNING: Unplug chain saw from power source before servicing. Severe injury or death could occur from electrical shock or body contact with moving chain.**

ENGLISH

OBSERVED FAULT	POSSIBLE CAUSE	REMEDY
Saw runs, but does not cut	Chain assembled backwards on guide bar	See Assembly
Saw does not cut unless heavily forced. Cutting produces only sawdust with few large chips	Chain is dull	See Sharpening Saw Chain
Saw runs slow. Saw stalls easily	Low power supply voltage	Extension cord wire size too small. See Extension Cords.
Motor of saw does not run when you squeeze trigger	<ol style="list-style-type: none"> <li>1. Switch lockout not pushed forward in to release trigger</li> <li>2. Extension cord connections loose</li> <li>3. Open line fuse or circuit breaker</li> <li>4. Worn out motor brushes</li> <li>5. Open wiring circuit on saw</li> </ol>	<ol style="list-style-type: none"> <li>1. Push switch lockout forward before squeezing trigger</li> <li>2. Check cord connections</li> <li>3. Check line fuse or circuit breaker</li> <li>4. See authorized service center</li> <li>5. See authorized service center</li> </ol>
Motor of saw runs, but chain does not move	Gear Sprocket	Remove and inspect gear sprocket for damage
Chain does not get oil	<p><b>All Models</b></p> <ol style="list-style-type: none"> <li>1. Clogged oil slot in guide bar</li> <li>2. Oil is too thick</li> </ol> <p><b>Models with Automatic Oiler</b></p> <ol style="list-style-type: none"> <li>1. Vent in oil cap clogged</li> <li>2. Filter in oil reservoir clogged</li> <li>3. Pump damaged, do not use saw</li> </ol>	<ol style="list-style-type: none"> <li>1. Remove guide bar and clean oil slot</li> <li>2. Use correct weight of oil. See Filling Oil Tank</li> <li>1. Remove cap and clean vent hole</li> <li>2. Remove filter in oil reservoir and clean</li> <li>3. See authorized service center</li> </ol>
Chain comes off guide bar	<ol style="list-style-type: none"> <li>1. Chain is loose</li> <li>2. Guide bar and chain not assembled correctly</li> </ol>	<ol style="list-style-type: none"> <li>1. Tighten chain. See Saw Chain Tension Adjustment</li> <li>2. See Assembly</li> </ol>
Saw smokes	Saw damaged. Do not use saw	See authorized service center
Saw leaks oil	It is normal for oil to seep when the saw is not in use.	Tighten oil cap. <b>Note: Empty oil tank when not in use.</b>

## WARRANTY INFORMATION

### REMINGTON BRAND ELECTRIC CHAIN SAW LIMITED WARRANTIES

#### NEW PRODUCTS

##### **Standard Warranty**

DESA Power Tools warrants this new product and any parts thereof to be free from defects in material and workmanship for a period of one (1) year from the date of first purchase from an authorized dealer provided the product has been maintained and operated in accordance with DESA Power Tools' warnings and instructions.

#### FACTORY RECONDITIONED PRODUCTS

##### **Limited Warranty**

DESA Power Tools warrants factory reconditioned products and any parts thereof to be free from defects in material and workmanship for 90 days from the date of first purchase from an authorized dealer provided the product has been installed, maintained and operated in accordance with DESA Power Tools' warnings and instructions.

#### TERMS COMMON TO ALL WARRANTIES

The following terms apply to all of the above warranties:

- Always specify model number when contacting the manufacturer. To make a claim under this warranty the bill of sale or other proof of purchase must be presented.
- This warranty is extended only to the original retail purchaser when purchased from an authorized dealer.
- This warranty covers the cost of part(s) required to restore this product to proper operating condition and an allowance for labor when provided by a DESA Power Tools Authorized Service Center. Warranty parts must be obtained through authorized dealers of this product and/or DESA Power Tools who will provide original factory replacement parts. Failure to use original factory replacement parts voids this warranty.
- Travel, handling, transportation, diagnostic, material, labor and incidental costs associated with warranty repairs, unless expressly covered by this warranty, are not reimbursable under this warranty and are the responsibility of the owner.
- Excluded from this warranty are products or parts that fail or become damaged due to misuse, accidents, lack of proper maintenance, tampering, or alterations.
- Excluded from this warranty are products purchased for commercial, industrial or rental usage.
- This is DESA Power Tools' exclusive warranty, and to the full extent allowed by law; this express warranty excludes any and all other warranties, express or implied, written or verbal and limits the duration of any and all implied warranties, including warranties of merchantability and fitness for a particular purpose to one (1) year on new products and 90 days on factory reconditioned products from the date of first purchase. DESA Power Tools makes no other warranties regarding this product.
- DESA Power Tools' liability is limited to the purchase price of the product, and DESA Power Tools shall not be liable for any other damages whatsoever under any circumstances including indirect, incidental, or consequential damages.
- Some states do not allow limitations on how long an implied warranty lasts or the exclusion or limitation of incidental or consequential damages, so the above limitation or exclusion may not apply to you.
- This warranty gives you specific legal rights, and you may also have other rights which vary from state to state.

For information about this warranty contact:



Bowling Green, KY 42102-9004  
800-626-2237 (English Only)  
www.remingtonpowertools.com

Model \_\_\_\_\_

Date Purchased \_\_\_\_\_

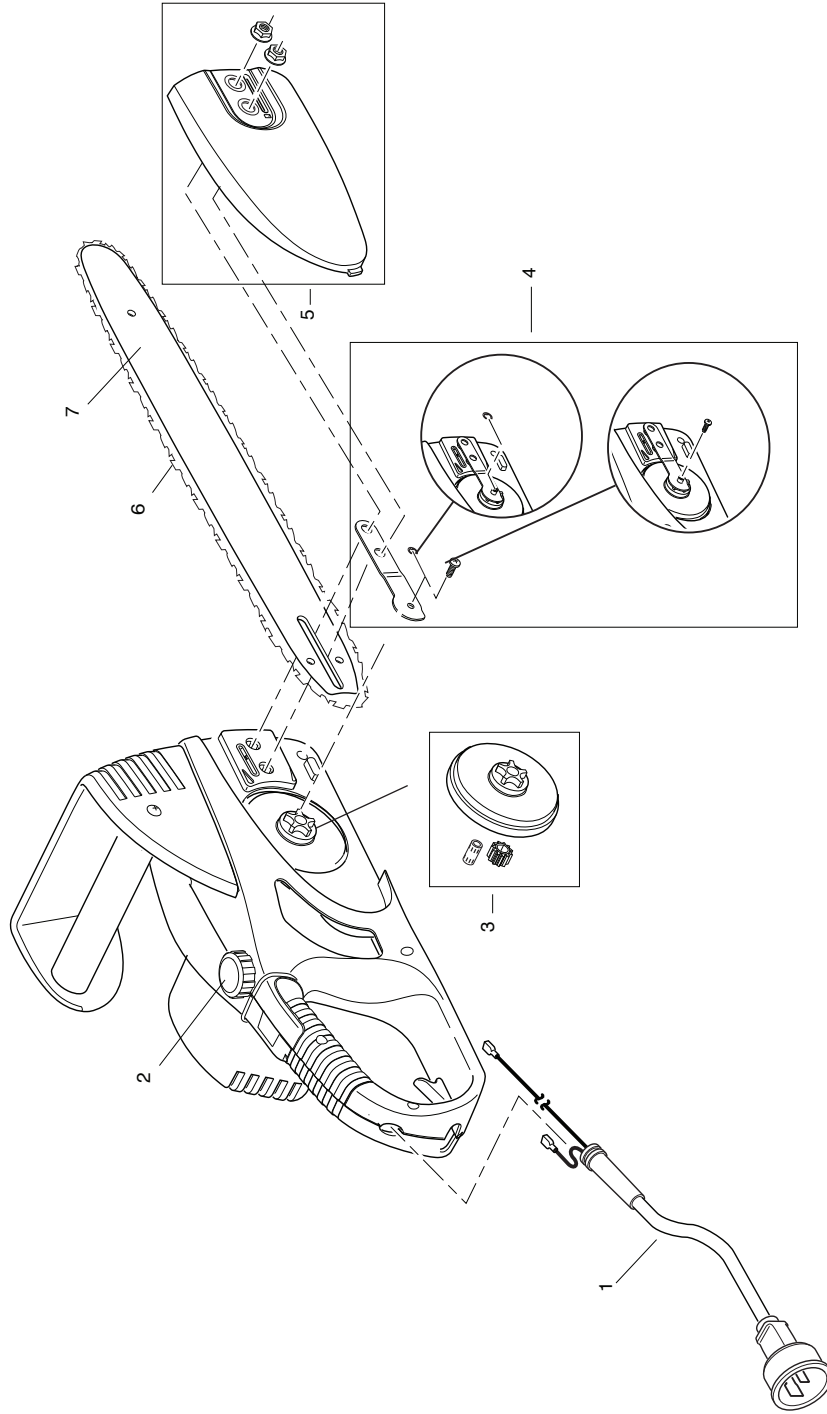
# DESA

Industries of Canada, Inc.  
82 Akron Road  
Toronto, Ontario  
M8W1T2  
416-255-5333  
Fax: 416-255-5677  
www.remingtonpowertools.com





**ILLUSTRATED PARTS BREAKDOWN/DESGLOSE ILUSTRADO DE PARTES/SCHÉMA DES PIÈCES**  
**MODELS/MODELOS/MODÈLES 107624-02**



## PARTS LIST/LISTA DE REPUESTOS/LISTE DES PIÈCES

This list contains replaceable parts used in your chainsaw. When ordering parts, be sure to provide the correct model number (from the model plate), then the part number and description of the desired part.

Esta lista contiene partes reemplazables y que se utilizan en su sierra de cadena. Cuando solicite repuestos, asegúrese de facilitar el número correcto del modelo (de la placa del modelo), luego el número de parte y la descripción de la parte deseada.

La présente liste énumère les différentes pièces remplaçables qu'utilise votre scie à chaîne. Pour commander une pièce, ne manquez pas de fournir le bon numéro de modèle de votre scie (que vous trouvez sur sa plaque signalétique), puis le numéro et la description de la pièce désirée.

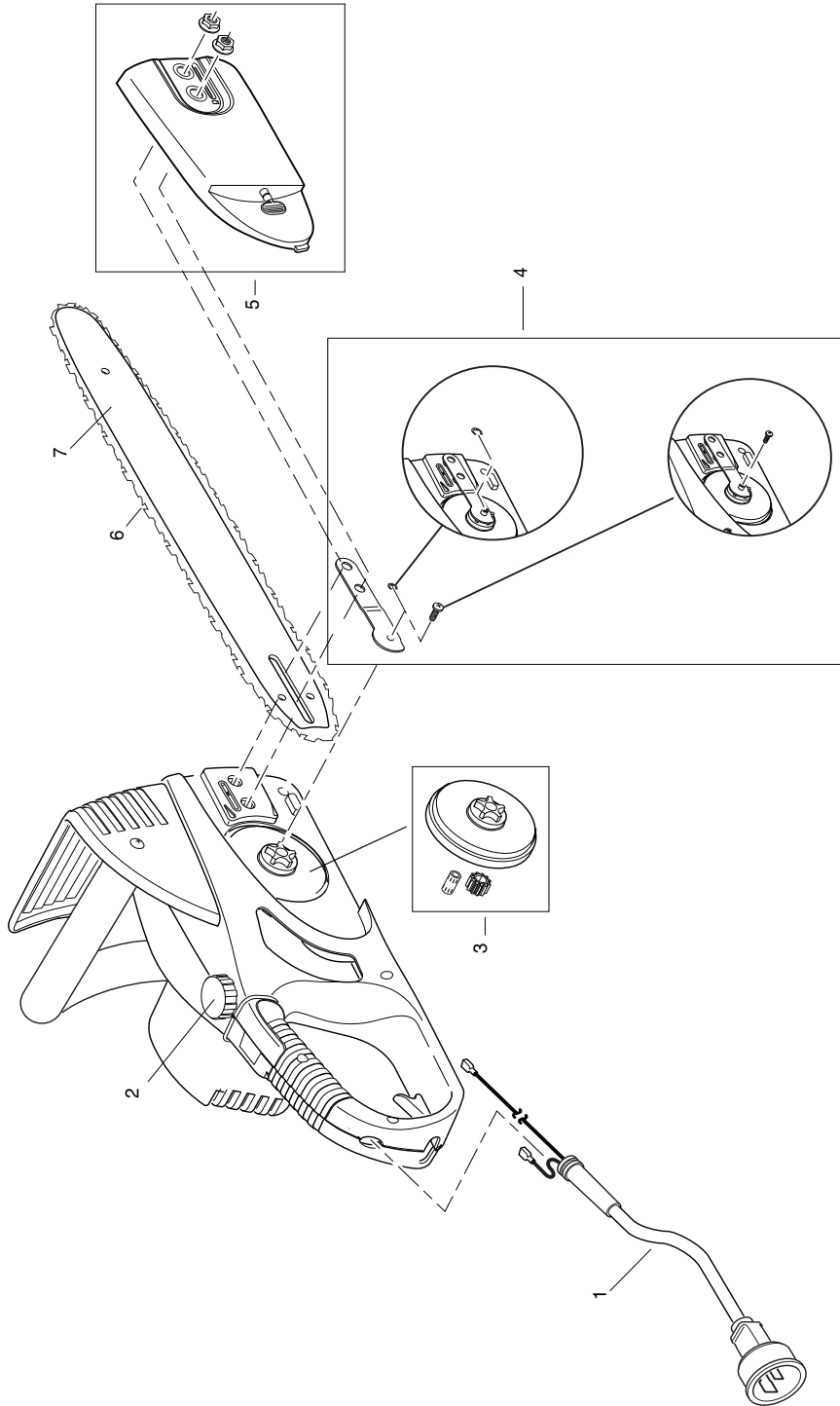
### MODELS/MODELOS/MODÈLE 107624-02

KEY NO./ NÚMERO CLAVE/N° DE RENVOI	PART NO./ NÚMERO DE PARTE/ N° DE PIECE	DESCRIPTION/DESCRIPCIÓN/DESCRIPTION	QTY/ CANTIDAD/ QTE
1	099829-04	Shrouded Cord/Cordón con recubrimiento/Corde renforcée	1
2	122512-01	Kit, Oil Cap/Incluides: Oil Cap, Squeeze Bulb/ Juego, tapa del aceite/Incluye: Tapa del tanque de aceite, Depósito de aceite	1
3	122511-01	Trousse, bouchon du réservoir d'huile/Compris: Bouchon du réservoir, Réservoir d'huile Kit, Sprocket Gear/Incluides: Bearing, Roller Sprocket, Sprocket, Gear, Drive IIT20DP	1
4	122515-01	Juego, engranaje del piñón/Incluye: Rodamiento de la rueda dentada del rodillo, Rueda dentada, Engranaje impulsor IIT 20DP Trousse, engrénages du pignon/Compris: Paller, pignon, Pignon, Engrenage d'entraînement IIT 20DP Kit, Sprocket Support/Incluides: Sprocket Support, Shoulder Screw Pan-HD E-Ring	1
5	108640-01	Juego, soporte del piñón/Incluye: Soporte de la rueda dentada, Tornillo cabeza redondeada con tope- HD, Anillo E Trousse, support de pignon/Compris: Support de pignon, Vis à épaulement - HD, Joint en E Kit, Sprocket Cover/Incluides: Sprocket Cover Assembly, Guide Bar Nut (2)	1
6	EL16SB	Juego, cubre-piñón/Incluye: Conjunto tapa de la rueda dentada, Tuerca de la barra guía(2) Trousse, couvercle de pignon/Compris: Ensemble de couvercle de pignon, Ecrou de barre de guidage (2)	1
7	107704-02	Chain, Saw (16"), Bulk Pack Cadena de la sierra (16 pulgadas), empaquetado en cantidad Scie mécanique (16 po), emballée en vrac Bar, Guide 16" Barra guía de 16 pulgadas Barre de guidage 16 po	1

FRANÇAIS



**ILLUSTRATED PARTS BREAKDOWN/DESGLOSE ILUSTRADO DE PARTES/SCHÉMA DES PIÈCES  
MODELS/MODELOS/MODÈLES 107625-02, & 111174-01**



## PARTS LIST/LISTA DE REPUESTOS/LISTE DES PIÈCES

This list contains replaceable parts used in your chainsaw. When ordering parts, be sure to provide the correct model number (from the model plate), then the part number and description of the desired part.

Esta lista contiene partes reemplazables y que se utilizan en su sierra de cadena. Cuando solicite repuestos, asegúrese de facilitar el número correcto del modelo (de la placa del modelo), luego el número de parte y la descripción de la parte deseada.

La présente liste énumère les différentes pièces remplaçables qu'utilise votre scie à chaîne. Pour commander une pièce, ne manquez pas de fournir le bon numéro de modèle de votre scie (que vous trouverez sur sa plaque signalétique), puis le numéro et la description de la pièce désirée.

### MODELS/MODELOS/MODÈLES 107625-01, 107625-02, & 111174-01

KEY NO./ NÚMERO	PART NO./ NÚMERO	CLAVE/N° DE PARTE/ N° DE PIÈCE	DESCRIPTION/DESCRIPCIÓN/DESCRIPTION	QTY./CANTIDAD /QTE	
				107625-01	111174-01
1	099829-04		Shrouded Cord/Cordón con recubrimiento/Corde renforcée	1	1
2	107610-01		Cap, ReserVair/Tapa del depósito/Bouchon du réservoir	1	1
3	122511-01		Kit, Sprocket Gear/Includes: Bearing, Roller Sprocket, Sprocket, Gear, Drive II 20DP	1	1
4	122515-01		Juego, engranaje del piñón/Incluye: Rodamiento de la rueda dentada del rodillo, Rueda dentada, Engranaje impulsor IIT 20DP Trousse, engrenages du pignon/Compris: Paller, pignon, Pignon, Engrenage d'entraînement IIT 20DP Kit, Sprocket Support/Includes: Sprocket Support, Shoulder Screw Pan-HD, E-Ring	1	1
5	108641-02		Juego, soporte del piñón/Incluye: Soporte de la rueda dentada, Tornillo cabeza redondeada con tope- HD, Anillo E Trousse, support de pignon/Compris: Support de pignon, Vis à épaulement - HD, Joint en E Kit, Sprocket Cover/Includes: Sprocket Cover Assembly Guide Bar Nut (2)	1	1
6	EL16SB		Juego, cubierta-piñón/Incluye: Conjunto tapa de la rueda dentada, Tuerca de la barra guía(2) Trousse, couvercle de pignon/Compris: Ensemble de couvercle depignon, Ecou de barre de guidage (2)	1	1
7	16SC		Chain, Saw (16"), Bulk Pack Cadena de la sierra (16 pulgadas), empaclado en cantidad Scie mécanique (16 po), emballée en vrac Bar, Guide 16" Barra guía de 16 pulgadas Barre de guidage 16 po	1	1

## PARTS CENTRAL/CENTRAL DE PIEZAS/DÉPÔT DE PIÈCES

---

### **Ray's Portable Heater Service**

3191 Myers Road  
Camino, CA 95709-9550  
530-644-7716

### **Tool & Equipment**

5 Manila Drive  
Hamden, CT 06514-0322  
203-248-7553  
1-800-397-7553

### **Grainger Parts Operations**

1657 Shermer Road  
Northbrook, IL 60062-5362  
708-498-5900  
1-800-323-0620  
www.grainger.com

### **Portable Heater Parts**

342 North County Road 400 East  
Valparaiso, IN 46383-9704  
219-462-7441  
1-800-362-6951  
www.portableheaterparts.com  
sales@portableheaterparts.com  
techservice@portableheaterparts.com

### **Lyons & Lyons Sales Co. Inc.**

Glen Arm Road  
Glen Arm, MD 21057-9454  
301-665-6500  
1-800-333-5966  
lyonsco@erols.com

### **Master Part Distributors**

1251 Mound Avenue NW  
Grand Rapids, MI 49504-2672  
616-791-0505  
1-800-446-1446  
www.masterparts.net

### **Hance Distributors, Inc.**

12795 16th Avenue North  
Plymouth, MN 55441-4556  
763-559-2299  
www.hanceco.com

### **Automotive Equipment Service**

3117 Holmes  
Kansas City, MO 64109-1716  
816-531-9144  
1-800-843-3546  
www.aes-lawnparts.com

### **Bowden Electric Motor Service**

1681 S. Wesleyan Blvd.  
Rocky Mount, NC 27803  
252-446-4203

### **East Coast Energy**

10 East Route 36  
West Long Branch, NJ 07764-1501  
1-800-755-8809

### **Forrest Lytle and Sons, Inc.**

740 West Galbraith Road  
Cincinnati, OH 45231-6002  
513-521-1464

### **Bortz Chain Saw Shop**

Road #2, Box 64A  
Oley, PA 19547-9412  
610-987-6452

### **21st Century**

2950 Fretz Valley Road  
Perkasie, PA 18944-4034  
215-795-0400  
1-800-325-4828

### **La Porte's**

2444 N 5th Street  
Hartsville, SC 29550-7704  
843-332-0191

### **MTA Distributors**

555 Hickory Hills Blvd.  
Nashville, TN 37189-9244  
615-299-8777  
1-800-264-0225

### **Webbs Appliance Center**

1519 Church Street  
Nashville, TN 37203-3004  
615-329-4079  
1-800-899-4079

### **Industrial Hardware**

4109 Bainbridge Blvd.  
Chesapeake, VA 23324-1403  
757-543-2232  
1-800-788-0008  
catatem@erols.com

### **Mills Lawn and Garden**

4750-B Baxter Road  
Virginia Beach, VA 23464  
757-490-7001  
www.mills-parts.com

### **Tuco Industrial Products**

5223 180th Street SW  
Suite 4A-1  
Lynnwood, WA 98037-4506  
425-743-9533  
1-800-735-1268  
www.tucoheat.com



122503-01  
Rev. A  
03/08

## Free Manuals Download Website

<http://myh66.com>

<http://usermanuals.us>

<http://www.somanuals.com>

<http://www.4manuals.cc>

<http://www.manual-lib.com>

<http://www.404manual.com>

<http://www.luxmanual.com>

<http://aubethermostatmanual.com>

Golf course search by state

<http://golfingnear.com>

Email search by domain

<http://emailbydomain.com>

Auto manuals search

<http://auto.somanuals.com>

TV manuals search

<http://tv.somanuals.com>